

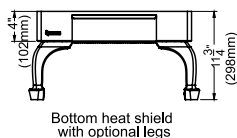
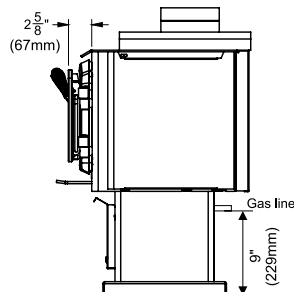
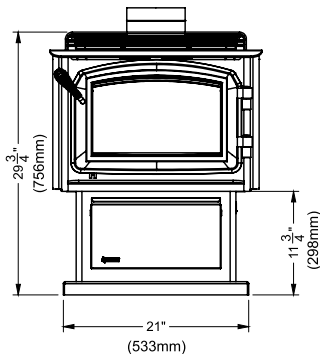
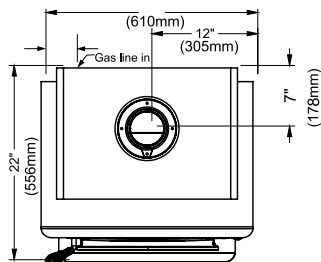
C34-11 Direct Vent Gas Stove

| Model | C34-NG11 | C34-LP11 |
|--------------------------|-------------------------|-------------------------|
| Fuel Type | Natural Gas | Propane |
| Minimum Supply Pressure | 5.0" W.C. (1.25 kPa) | 11.0" W.C. (2.74 kPa) |
| Manifold Pressure - High | 3.5" W.C. (0.87 kPa) | 10" W.C. (2.49 kPa) |
| Manifold Pressure - Low | 1.6" W.C. (0.40 kPa) | 6.4" W.C. (1.59 kPa) |
| Orifice Size | #36 | #52 |
| Minimum Input | 21,000 BTU/h (6.15 kW) | 23,000 BTU/h (6.74 W) |
| Maximum Input | 32,000 BTU/h (9.38 kW) | 29,000 BTU/h (8.50 kW) |
| Vent Sizing | 4" Inner / 6-5/8" Outer | 4" Inner / 6-5/8" Outer |
| CSA P.4.1 | 63.49% | 64.49% |

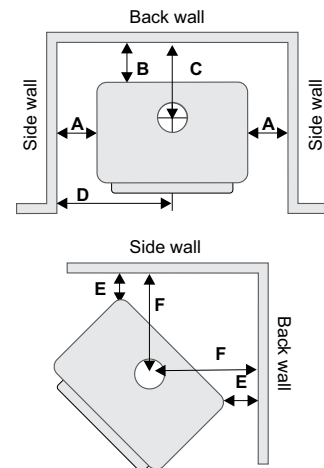
| Approved Venting Systems | |
|--------------------------|--|
| Flex Vent Systems: | FPI AstroCap™ Flex Vent |
| Rigid Pipe Vent Systems: | Simpson Direct Vent Pro® American Metal Products® Amerivent Direct Security Secure Vent® Selkirk Direct-Temp™ Metal-Fab® Sure Seal |



C34-11 Dimensions



Clearances C34-11



| C34 Clearances to Combustibles | | |
|---|-------------------------------|-------------|
| Dimension | Description | C34 |
| A | Side Wall to Unit | 10" (250mm) |
| B | Back Wall to Unit | 6" (150mm) |
| C | Back wall to Vent Center line | 13" (330mm) |
| D | Side wall to Vent Center line | 22" (559mm) |
| Corner Clearances | | |
| Dimension | Description | C34 |
| E | Side wall to unit | 1.5" (38mm) |
| F | Side wall to Vent Center line | 14" (356mm) |
| <p>Minimum ceiling height is 36" (914mm) from top of unit. Minimum clearance to vent is 1-1/4" (32mm).</p> | | |
| <p>The above listed clearances are minimum distances to combustible materials. When installing on carpet or vinyl flooring the bottom pedestal cover plate must be installed.</p> | | |

Regency Direct Vent System Horizontal Terminations Only

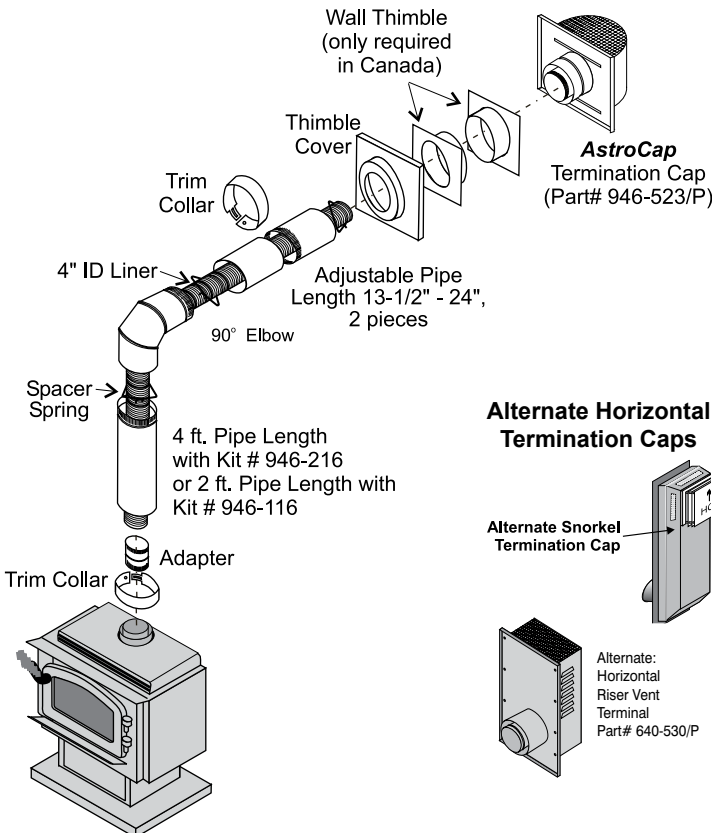
These venting systems, in combination with the C34 Direct Vent Gas Fireplace, have been tested and listed as a direct vent heater system by Intertek. The location of the termination cap must conform to the requirements in the Vent Terminal Locations diagram.

FPI Direct Vent (Flex) System Termination Kits include all the parts needed to install the C34 using a flexible vent.

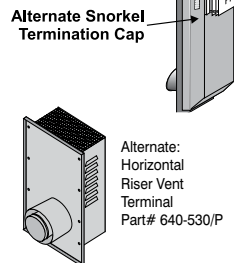
| FPI Kit # | Length | Contains: |
|-----------|--------|--|
| #946-116 | 2 Feet | 1. 6-5/8" Rigid Pipe Section (Kit length) 2. 4" flexible liner (Kit length) 3. spring spacers (4) 4. 90° Elbow 5. Adjustable pipe section 13-1/2" to 24" 6. thimble cover (1) 7. thimble (1) 8. adaptor 9. AstroCap termination cap (1) |
| #946-216 | 4 Feet | 10. trim collar (2) 11. tube of Mill Pac (1) 12. S.S. screws #8 x 1-1/2", self-tap, (12) 13. Blk. screws #8 x 1-1/2", self-tap, (14) 14. Blk. screws #8 x 1-1/2" drill point, (4) 15. S.S. screws #8 x 1-1/2" drill point, (4) 16. Wood screws #8 x 1" (8) |

Notes:

- Liner sections should be continuous without any joints or seams.
- Only Flex pipe purchased from Regency may be used for Flex installations.
- Horizontal sections must be supported every 3 feet.



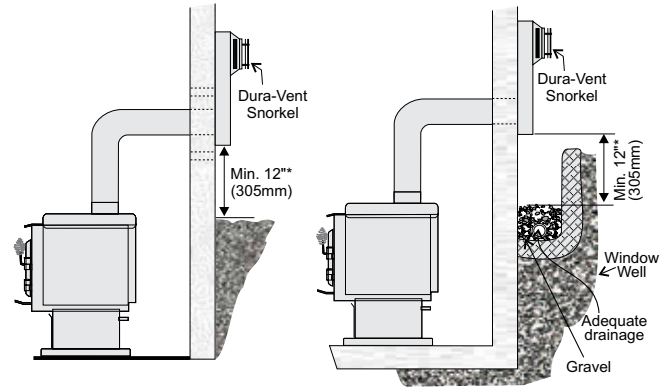
Alternate Horizontal Termination Caps



Snorkel Terminations

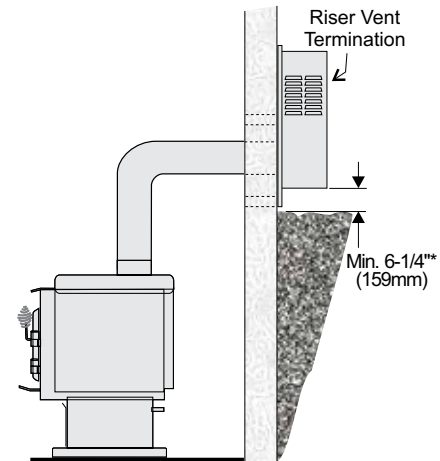
Snorkel Terminations

For installations requiring a vertical rise on the exterior of the building, 14-inch and 36-inch tall Snorkel Terminations and the Riser Vent are available. Follow the same installation procedures as used for standard Horizontal Termination. NEVER install the snorkel upside down.



Below Grade Snorkel Installation

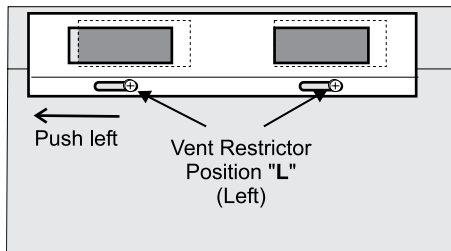
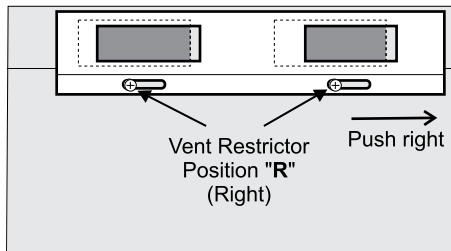
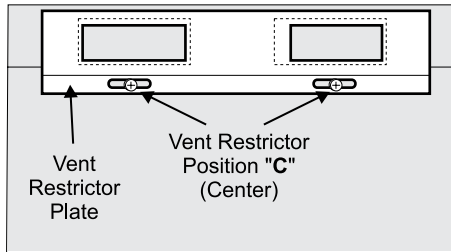
If the Snorkel Termination must be installed below grade, i.e. basement application, proper drainage must be provided to prevent water from entering the Snorkel Termination. Refer to Rigid Pipe Installation instructions for details. Do not attempt to enclose the Snorkel within the wall, or any other type of enclosure.



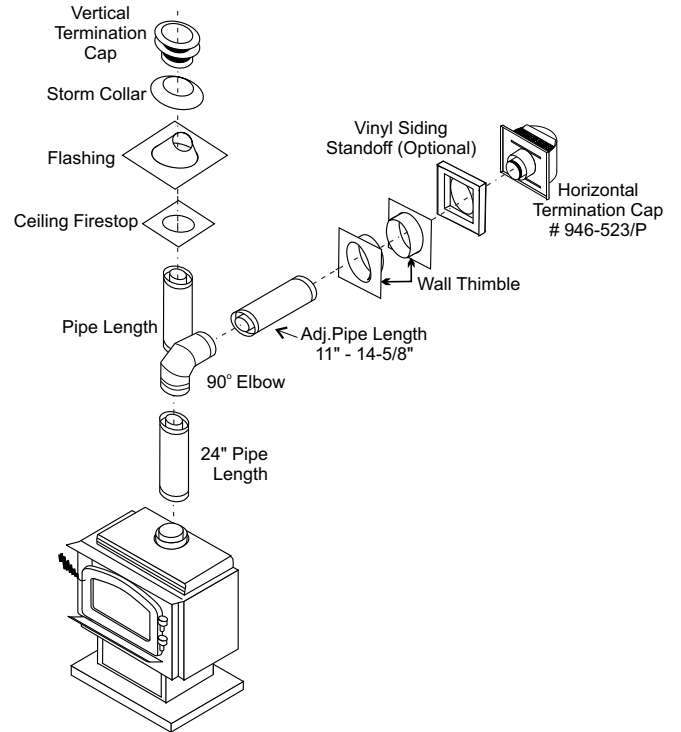
Vent Restrictor Position

Vent restriction is required for certain venting installations, see the diagrams in "Venting Arrangement" section to determine if they are required for your installation.

The vent restrictor has three settings: "C" Center (factory setting), "L" Left, and "R" Right. Simply loosen the screws and push the vent restrictor plate to the correct position. Tighten the screws.



Rigid Pipe Venting Systems Horizontal or Vertical Terminations



Venting Arrangements - Vertical Terminations Rigid Pipe System (Propane & Natural Gas)

The C34 is approved for a maximum 30 ft. straight vertical, with Rigid Pipe vent systems for Propane and Natural Gas.

The shaded area in the diagram (right) shows allowable venting configurations with a maximum of two 45° elbows allowed. Terminations falling in the shaded area must have the Vent Restrictor Position set to "R" Right.

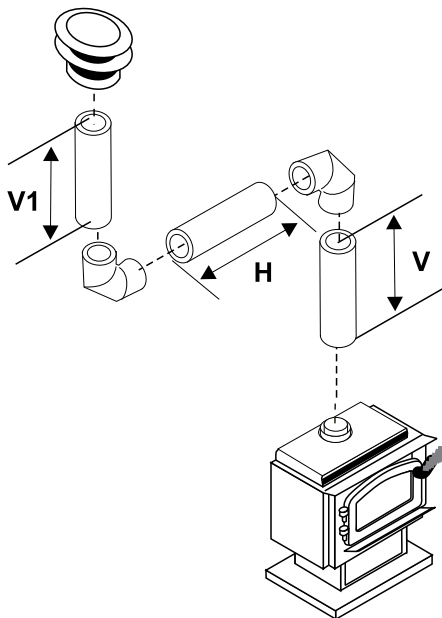
- Vent must be supported at offsets.
- Horizontal sections must be supported every 3 feet
- Firestops are required at each floor level and whenever passing through a wall.
- Maintain clearances to combustible materials.
- Minimum of 1' pipe section between elbows.

Vertical Venting with Two (2) 90° Elbows

Two 45° elbows = One 90° elbow

| Option | V | H | V+ V1 | Maximum total pipe length, of all sections, must not exceed 30 feet. Total horizontal sections must not exceed 8 feet. Minimum of 1 foot between 90° elbows is required. |
|--------|---------|---------|---------|--|
| A) | 1' Min. | 4' Max. | 2' Min. | |
| B) | 2' Min. | 5' Max. | 3' Min. | |
| C) | 3' Min. | 6' Max. | 4' Min. | |
| D) | 4' Min. | 7' Max. | 5' Min. | |
| E) | 5' Min. | 8' Max. | 6' Min. | |

Vent Restrictor in position "C" (Center),

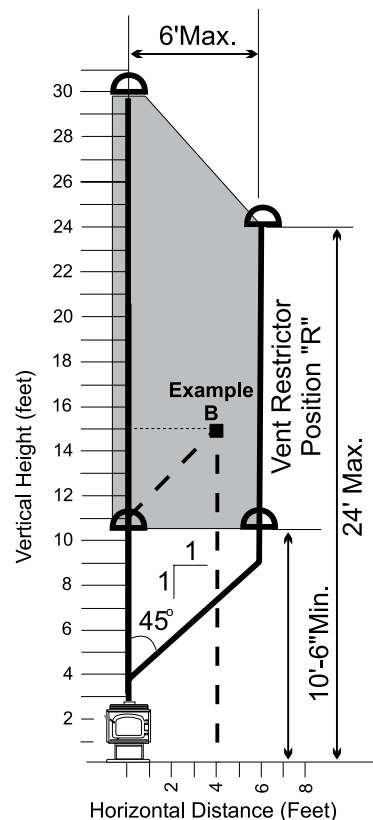


Venting Arrangements Vertical Termination Systems for Residential Manufactured and Mobile Homes

The shaded area in the diagram below shows all allowable combinations of straight vertical and offset to vertical runs with vertical terminations. Maximum two 45° elbows.

All vertical and offset to vertical vent installations require Vent Restrictor Position "R" (Right). If the vent is ENCLOSED in a chase (min. size 9" x 9") maintain a 1-1/4" clearance to combustibles.

May be installed in Manufactured (Mobile) Homes after first sale.



Straight Vertical and Offset to Vertical Terminations use Vent Restrictor Position "R" (Right)

If you are terminating within this shaded area, Vent Restrictor Position "R" (Right) must be used.

C34-11 Gas Stove

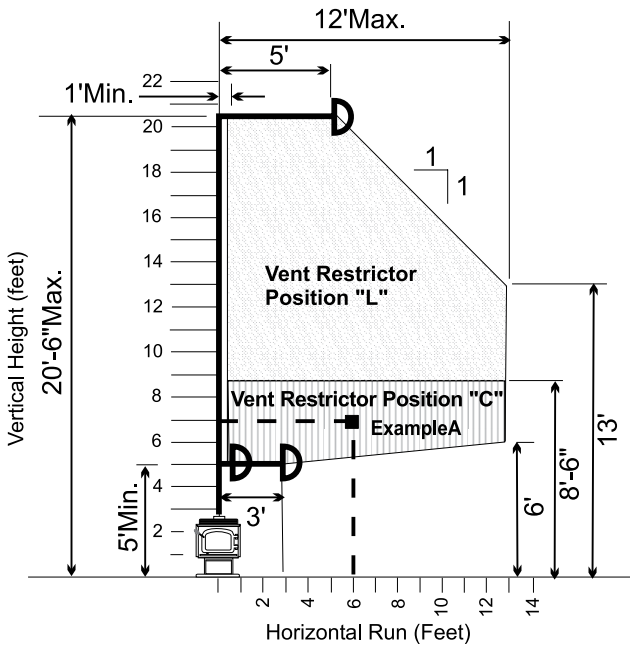
Venting Arrangements Horizontal Terminations for All Venting Systems


The shaded areas in the diagram below show all allowable combinations of vertical runs with horizontal terminations. Maximum one 90° elbow (two 45° elbows equal one 90° elbow).


Propane and Natural Gas: Residential, Manufactured and Mobile Homes Installations

The venting arrangements diagrammed below, have a min. of 75% (flue loss) efficiency with Fan Off, as required for manufactured homes. (Actual efficiency may be as high as 85%)

May be installed in Manufactured (Mobile) Homes after first sale.



 If you are terminating within this shaded area, Vent Restrictor Position "L" (Left) must be used.

 If you are terminating within these shaded areas, Vent Restrictor Position "C" (Center) is required

Horizontal Venting with Two (2) 90° Elbows

Two 45° elbows = One 90° elbow

| Option | V | H + H1 | Maximum total pipe length, of all sections, must not exceed 30 feet. Total horizontal sections must not exceed 8 feet. Minimum of 1 foot between 90° elbows is required. |
|--------|---------|---------|---|
| A) | 4' Min. | 6' Max. | |
| B) | 5' Min. | 7' Max. | |
| C) | 6' Min. | 8' Max. | |

Vent Restrictor in position "C" (Center).

