

GREENFIRE™ INFUSION GF750

Experience the Peak of Realism, Innovation, and Quality with Regency's New Gas Insert





INFUSION BURNER

Featuring Our Latest Technology

Inspired by nature and fueled by innovation, Regency's new patent-pending infusion burner technology delivers an unparalleled realistic flame and log set. Homeowners can now truly enjoy the look and feel of a traditional wood fire at the touch of a button.

By reimagining what's possible, Regency designers have replicated the beauty of a real wood fire by infusing the burners into the log set, creating a natural burning log effect for the **most natural looking gas insert** available. Watch in awe as the flames dance effortlessly in the firebox creating a one-of-a-kind experience. Unmatched by any traditional burner, the Infusion Burner will elevate the standard for Gas Inserts.

NO CHIMNEY? NO PROBLEM.

With our Zero-Clearance box, you can transform our Greenfire Infusion Burner Gas Insert into a Direct Vent Gas Fireplace, adding even more flexibility.



GF750 GAS INSERT

Regency's Most Advanced Gas Insert

Experience the most realistic gas fireplace insert available. The all-new GF750 is designed to fit into more homes and provide a class-leading viewing area, so you **see more of what matters - the fire**. Our all-new patent-pending infusion burner technology creates a burning log look so realistic your guests will have a hard time telling whether it's wood or gas!



3 sided backing plate

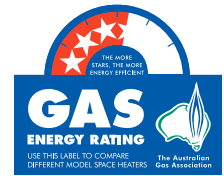
FEATURES

- NEW: innovative, patent-pending infusion burner with Australian hardwood logs
- 6 speed fan and remote control included
- Dual glass safety barrier for a clear view of the fire
- Ember bed lighting for a realistic glow with 6 levels of adjustable brightness
- Optional 3 piece glass inserts for enhanced style and realism
- Optional 3 sided backing plate if additional height and width are needed to cover existing firebrick
- Optional Zero-Clearance (ZC) box and 4 sided fascia to install as a Direct Vent gas fireplace
- No Power? No Problem. Integrated battery back up allows this unit to run during power outages*
**fan & lights are not supported while running on battery back up*

IMAGE ABOVE: GF750 shown with regular faceplate with painted black inserts and Australian hardwood log set.

GFi750 DETAILS

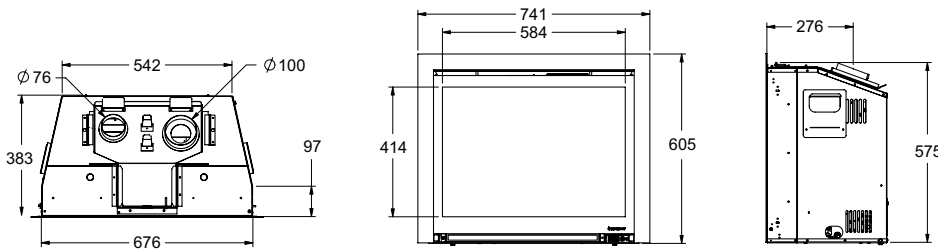
UNIT SPECIFICATIONS



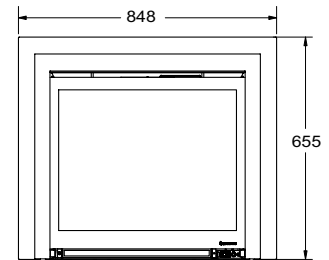
Note: Star rating is 3.3 on NG with intermittent pilot

NOMINAL MAXIMUM GAS CONSUMPTION			OUTPUT		
NG	PROPANE	UPLG	NG	PROPANE	UPLG
26 MJ/hr	26 MJ/hr	21.5 MJ/hr	5.1 kW	5.1 kW	4.5 kW

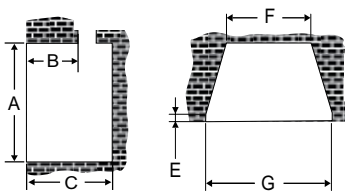
UNIT DIMENSIONS - FLUSH INSTALL (MM)



WITH BACKING PLATE (MM)

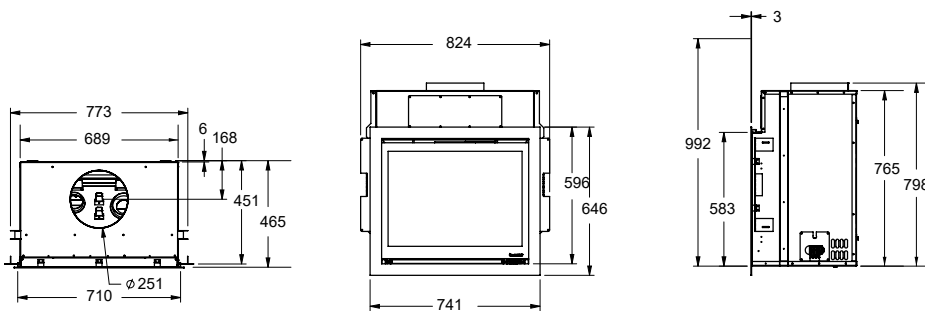


MINIMUM FIREPLACE DIMENSIONS (MM)

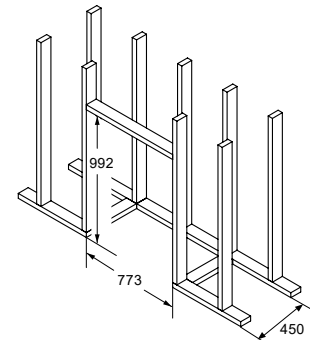


A - HEIGHT	B - MAX. LINTEL BAR DEPTH	C - DEPTH	E - FRONT DEPTH TO TAPER	F - WIDTH (REAR)	G - WIDTH (FRONT)
590	200	400	100	565	685

UNIT DIMENSIONS - WITH ZERO CLEARANCE BOX (MM)



FRAMING DIMENSIONS



NOTE: All product specifications are subject to change without notice. Before installing refer to the relevant product manual for full and up to date information. Heating capabilities of units are affected by: drafts under doorways or through flooring, large glass areas not covered by heavy drapes, ceiling heights greater than 2.4m or cathedral type ceilings, poor or no insulation and geographical locations.

for your nearest dealer visit:
regency-fire.com.au
 or call 1800 081 978

Fireplace Products Australia Pty Ltd.
 99 Colemans Road,
 Dandenong South, Vic, 3175, Australia
 Phone: 1 800 081 978
 Email: sales@regency-fire.com.au

Distributor NZ Aber Holdings Ltd
 17 Mainstreet Place,
 PO Box 10095, Te Rapa, Hamilton 3241
 New Zealand
 Phone: 64 7849 7585

Distributor WA Air Group Australia
 131 Bannister Rd, Canning Vale WA 6155
 Australia
 Phone: 08 9350 2200

DISCLAIMER: Appearance of flames varies with installation and fuel type. Star ratings vary based on flue type and configuration.

©2023 FPI Fireplace Products International Ltd. Regency® is the registered trademark of FPI Fireplace Products International Ltd. All rights reserved. (04/23)

Your Regency Dealer