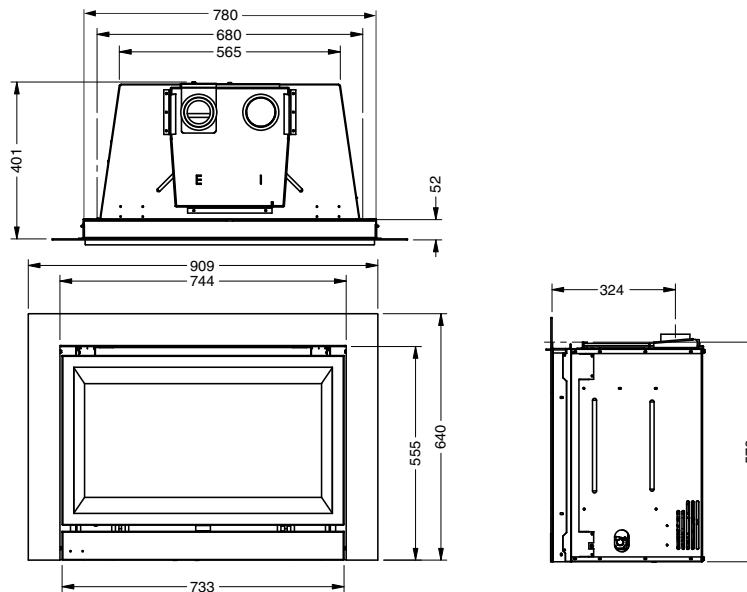


## Gas Inbuilt Fireplace - DVI34L

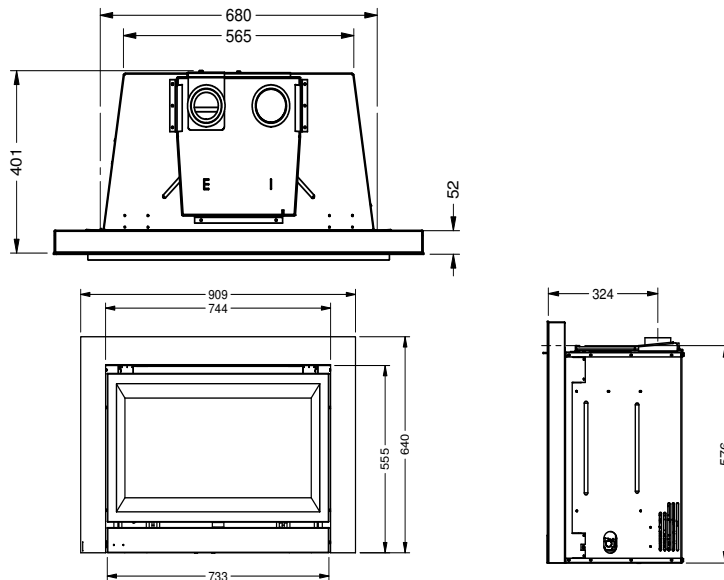
MODEL	DVi34LNG	DVi34LLP	DVi34LULPG
Fuel Type	Natural Gas	Propane	Propane
Gas Consumption High	31.7 MJ/h	30.6 MJ/h	26.4 MJ/h
Gas Consumption Low	21.1 MJ/h	25.1 MJ/h	20.9 MJ/h
Minimum Supply Pressure	1.13 kPa	2.75 kPa	2.75 kPa
Manifold Pressure High	0.87 kPa	2.51 kPa	2.51 kPa
Manifold Pressure Low	0.40 kPa	1.6 kPa	1.6 kPa
Injector Size	1 x #37 (2.64 mm)	1 x #52 (1.62 mm)	1 x #53 (1.51 mm)



### DIMENSIONS FLUSH INSTALL

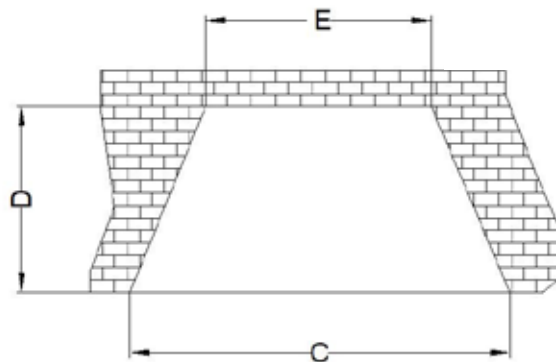
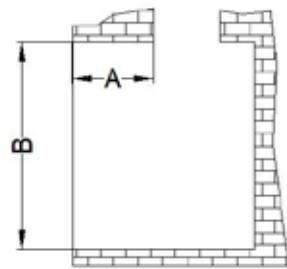


### DIMENSIONS WITH SPACER



## MINIMUM FIREPLACE OPENING

	Lintel Depth (mm) -A-	Height (mm) -B-	Width Front (mm) -C-	Depth (mm) -D-	Width-Back (mm) -E-
Fascia flush (no spacer)	275	595	780	406	600
Fascia with spacer	223	595	680	353	600

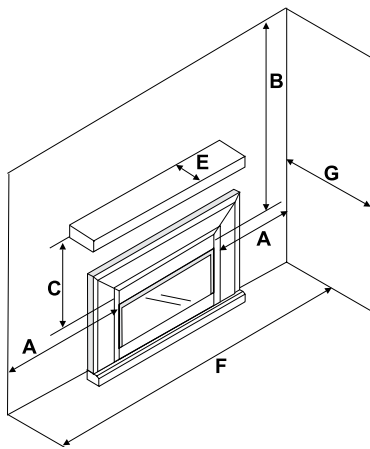


## Clearances To Combustibles

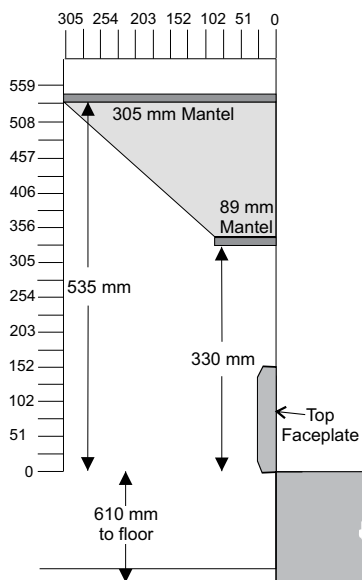
Minimum Clearances to Combustibles

	From Unit	
Sides	A	255 mm
Ceiling	B	1205 mm
Mantel	C	330 mm
Max. Mantle Depth	E	305 mm (see Dia. 2)
Min. Alcove Width	F	1220 mm
Max. Alcove Depth	G	915 mm

\*No hearth required.



## Mantel Clearances

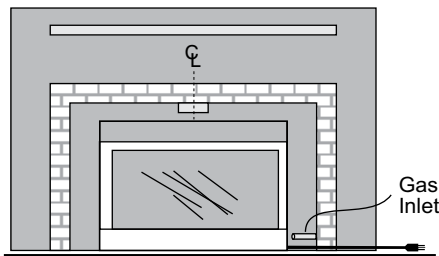


Note: A non-combustible mantel may be installed at a lower height if the framing is made of metal studs covered with a non-combustible board.

## Gas Connection

**GAS CONNECTION WARNING:**  
Only persons licensed to work with gas piping may make the necessary gas connections to this appliance.

- 1) If the appliance is to be installed into an existing chimney system, thoroughly clean the masonry fireplace.
- 2) The appliance is provided with an opening on the right hand side of the control compartment. The 9.5 mm flexible gas hose provided needs to be brought in from behind this opening. Ensure all gas connections are tight.
- 3) Locate the center point where the vent will pass through the chimney above the appliance. Move the appliance into the exact location where it is to be installed. Ensure that the Insert is level.



## Flueing

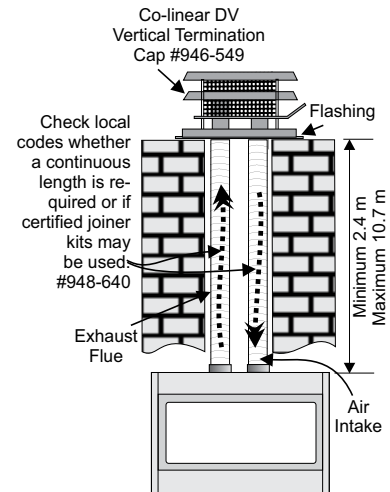
**WARNING**  
DO NOT USE AN UNLINED MASONRY CHIMNEY AS THE FLUE FOR THIS APPLIANCE. THE APPLIANCE MUST NOT CONNECT TO A CHIMNEY FLUE SERVING A SEPARATE SOLID FUEL BURNING APPLIANCE AND MUST BE TERMINATED TO THE OUTDOORS.

This appliance is designed to be attached to two 76 mm co-linear aluminium flex running the full length of the chimney. The flue length must be a minimum length of 2.44 m and a maximum of 10.7 m. See chart below for minimum distances from roof. Periodically check that the vent is unrestricted.

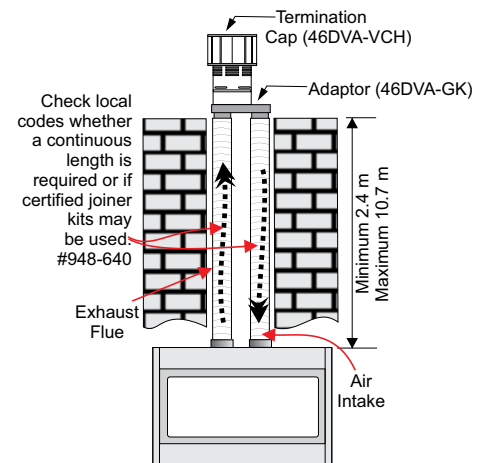
Masonry chimneys may take various contours which the flexible liner will accommodate. However, **keep the flexible liner as straight as possible**, avoid unnecessary bending.

The Air Intake pipe must be attached to the inlet air collar of the termination cap.

Part #	Description
948-640	76 mm Flex - 12.2 m
946-549	Co-linear DV Vertical Termination Cap



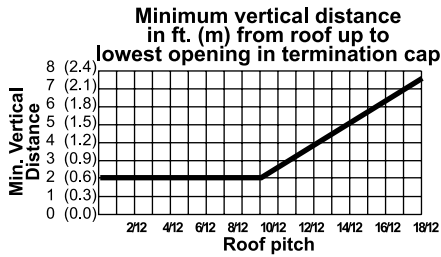
Note: When installing the flueing, identify the flues. Mark one exhaust and one intake as indicated on the top of the unit.



Alternate Termination Cap/Adaptor

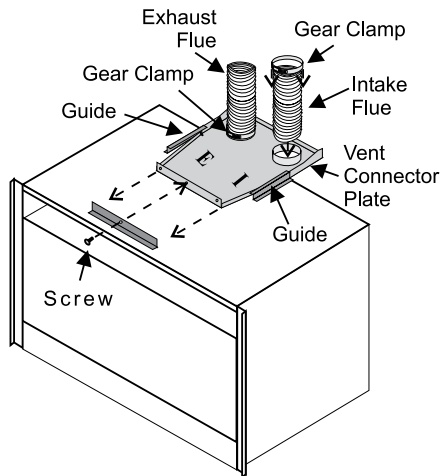
Part #	Description
46DVA-GK	Simpson Duravent Adaptor
46DVA-VCH	Simpson Vertical High Wind Cap

The Air Intake pipe must be attached to the inlet air collar of the termination cap.



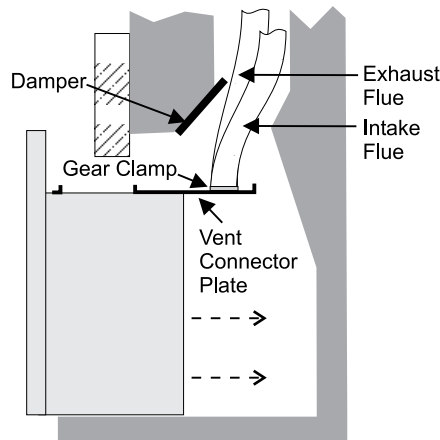
## Flue Liner Installation

- 1) Cut the flex liner as required.
- 2) **Mark the end of one liner to indicate Inlet.**
- 3) Connect the other end of the above liner to the inlet side of the termination adaptor, seal connection with high temperature silicone. Secure with gear clamp.
- 4) Connect the 2nd liner to the exhaust side of the adaptor, seal connection with high temperature silicone. Secure with gear clamp.



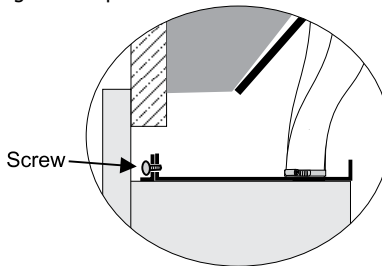
- 5) Install flashing.
- 6) Insert both liners into chimney, passing through the damper opening.
- 7) Install termination cap.
- 8) Connect the **marked end** of the liner to the inlet collar of the vent connector plate marked with an "I", seal connection with high temperature silicone. Secure with gear clamp.

Install to AS5601 (Australia) / NZS 5262 (New Zealand)



**Be careful not to damage thermal insulation when sliding on vent connector plate. This could cause blockage.**

- 9) Connect the 2nd liner to the exhaust collar marked with an "E", seal connection with high temperature silicone. Secure with gear clamp.

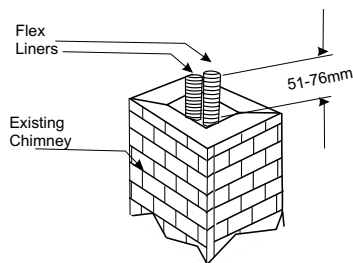


## Installation in Masonry or Zero Clearance Chimney

- 1) Measure and record dimensions to determine total Flex Liner length requirements (see instructions below for details).
- 2) Carefully feed the liner down the chimney (masonry or zero clearance) and out through the damper. One person should feed the liner through the chimney, and another person should pull the liner from the bottom.
- 3) After carefully feeding the Flex Liner down the chimney to the bottom, form and angle to line up the Flex Liner with the vent opening on the appliance.

Important: Do not let the Flex Liner sag below the level at which it will connect to the appliance or connector. This could allow hot gas to become trapped and potentially become a fire hazard. The Flex Liner path should always be sloped up toward the Termination Cap.

- 4) Temporarily secure the Flex Liner at the top of the chimney. Be sure to leave 76 mm of flex above the existing chimney to allow for connection to the Termination Kit (Baseplate and Adaptor).



- 5) Repeat Steps 1-4 for second length of Flex Liner.
- 6) At the top of the chimney, slide the Baseplate over the tow ends of the Flex Liner and secure it to the surrounding masonry using masonry anchor bolts. Before installing the baseplate, run a bead of non-hardening seal and between the Baseplate and the masonry to prevent moisture from entering the chimney.

Note: Verify that there is sufficient room to mount the Baseplate on to the masonry. You must have a level surface in order to install the Baseplate properly.

- 7) Attach the Flex Liner ends at the top of the chimney to the Co-Linear to Co-Axial Adaptor. Use four sheet metal screws to connect each Flex Liner run to the Adaptor.
- 8) Twist lock the Vertical Termination Cap to the Adaptor.

**Note:** If you are planning to extend the height of the chimney using Direct Vent GS Pipe, please refer to the Direct Vent Installation Instructions for information concerning the proper procedure and restrictions of Direct Vent Pipe. Also, consult the appliance manufacturer for any height restrictions of the chimney.

- 9) Connect the Co-Linear Flex to the two outlets on the top of the appliance using four sheet metal screws each. See the appliance manufacturer's instructions for details. Make sure the Flex Liners do not sag behind the appliance. Finally, move the appliance into its appropriate place. Mount the Adaptor to the Baseplate using sheet metal screws.