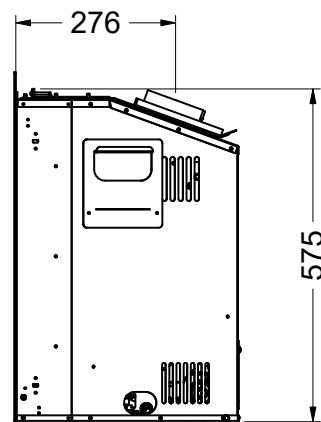
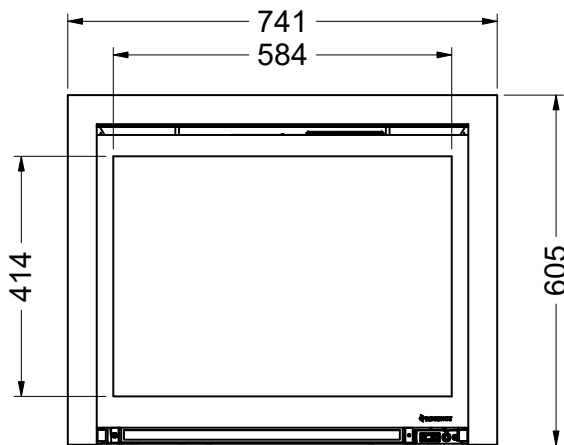
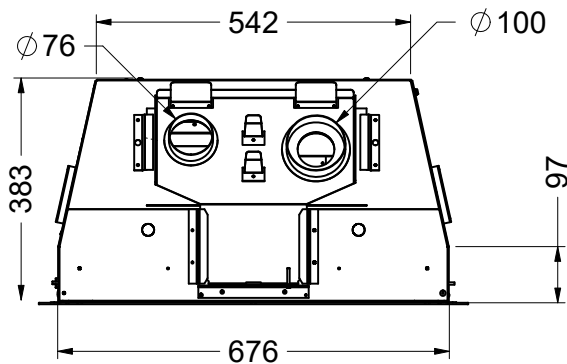


## Greenfire Gas Inbuilt Fireplace - GFi750

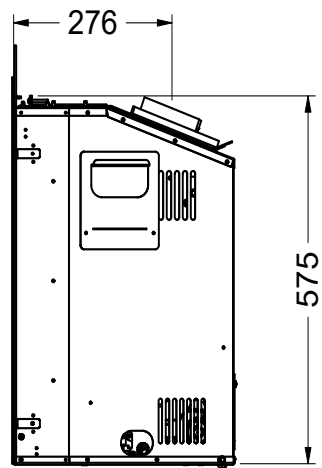
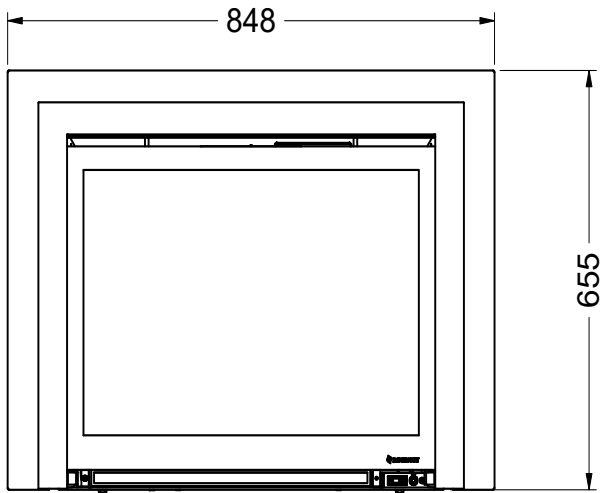
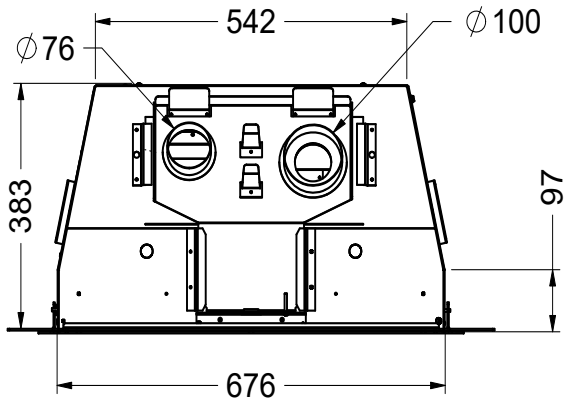
MODEL	GFi750NG	GFi750LP	GFi750ULPG
Fuel Type	Natural Gas	Propane	Propane
Gas Consumption-High	26 MJ/h	26 MJ/h	21.5 MJ/h
Gas Consumption-Low	16.9 MJ/h	18.1 MJ/h	17.7 MJ/h
Minimum Supply Pressure	1.13 kPa	2.75 kPa	2.75 kPa
Manifold Pressure-High	0.87 kPa	2.49 kPa	2.49 kPa
Manifold Pressure-Low	0.40 kPa	1.59 kPa	1.59 kPa
Injector Size	1 x #42 (2.37 mm)	1.45 mm	1 x #55 (1.32 mm)



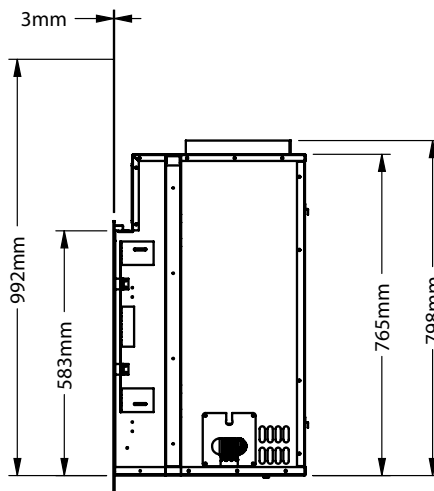
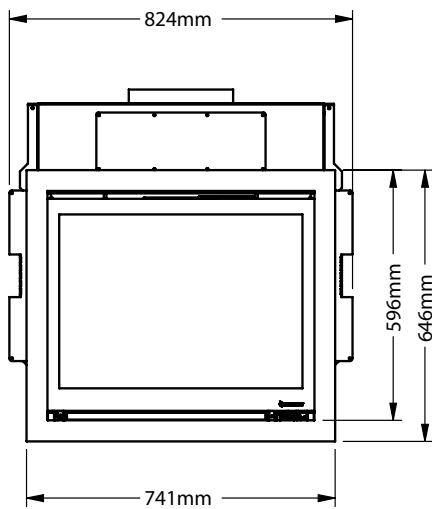
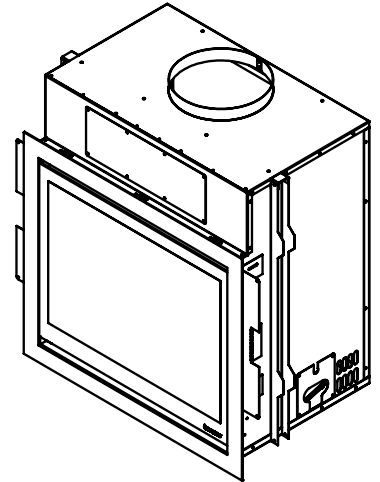
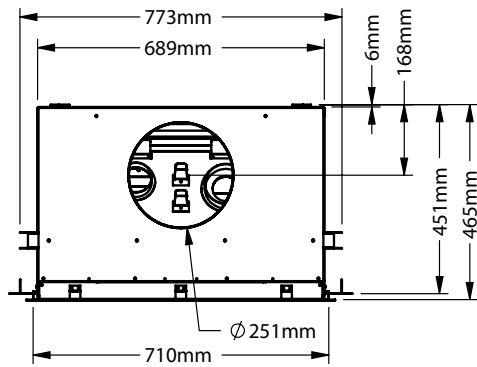
### Unit Dimensions - With 3 Sided Fascia (millimeters)



**Unit Dimensions - With Backing Plate (millimeters)**



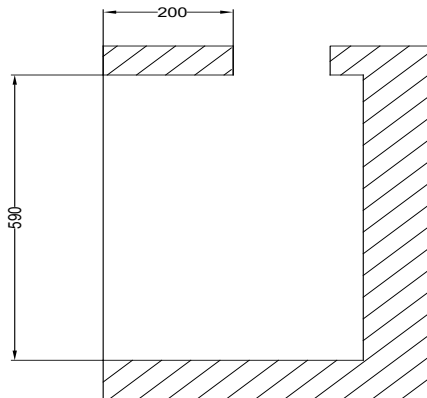
Unit Dimensions - With 4 Sided Fascia (millimeters)



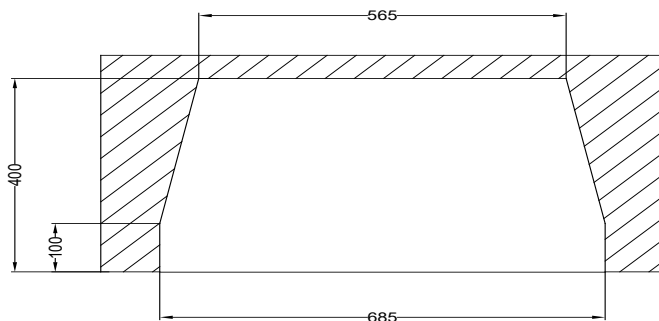
## Minimum Fireplace Opening

The minimum fireplace openings for the Regency GF750 gas space heater are shown below:

Lintel Depth (mm)	Height (mm)	Width Front (mm)	Depth (mm)	Width-Back (mm)
200	590	685	400	565



Side View



Top View

## Installation Checklist

Before installing vent system ensure that the damper plate is open and secure to prevent the damper plate from falling down and crushing the liner.

The FPI Gas Inbuilt is installed as listed.

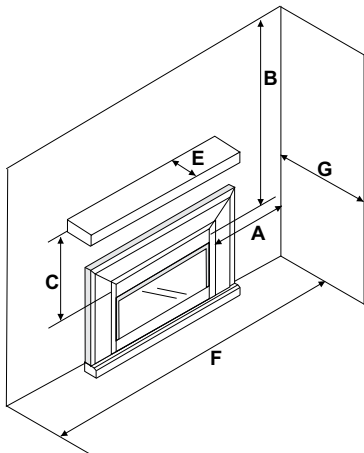
1. Check all clearances to combustibles, (Refer to sections "Minimum Fireplace Opening and Clearances to Combustibles")
2. Make the gas connection. (Refer to section "Gas Connection")
3. Install the 76 mm and 102 mm flue liner to the sliding connector plate. (Refer to section "Flue Liner Installation.")
4. Slide the unit half way into the fireplace.
5. Pull the vent connector plate through the tapered brackets and fasten to the front plate. Refer to section "Flue Liner Installation.")
6. Slide the unit fully into the fireplace.
7. Test gas pressure (Refer to section "Gas Pipe Pressure Testing"). Check aeration system (Refer to section "Gas Insert Aeration System").
8. Install standard and optional features. Refer to the following sections:
  - a. Log Set
  - b. Door, Primary Guard & Faceplate
  - c. Inner Glass Panels (optional)
9. Final check: Before leaving this unit with the customer, the installer must ensure that the appliance is firing correctly. This includes:
  - a) Clacking the appliance to ensure the correct firing rate.
  - b) Adjusting the primary air and restrictor settings, if required, to ensure that the flame does not carbon.

## Clearances to Combustibles

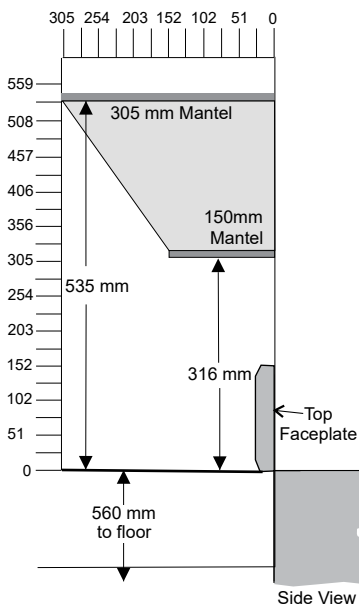
### Minimum Clearances to Combustibles

	From Unit	
Side Wall (on one side)	A	180 mm
Ceiling	B	1205 mm
Mantel	C	316 mm
Max. Mantle Depth	E	305 mm
		(see Dia. 2)
Min. Alcove Width	F	1220 mm
Max. Alcove Depth	G	915 mm

\*No hearth required.



## Mantel Clearances



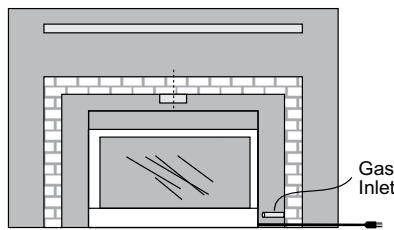
Side View

- NOTES**
- A non-combustible mantel may be installed at a lower height if the framing is made of metal studs covered with a non-combustible board.
  - The non-combustible mantel when installed at a lower overall height may not be lower than 152 mm from the top of the fireplace opening.

## Gas Connection

**GAS CONNECTION WARNING:**  
Only persons licensed to work with gas piping may make the necessary gas connections to this appliance.

- 1) If the appliance is to be installed into an existing chimney system, thoroughly clean the masonry fireplace.
- 2) The appliance is provided with an opening on the right hand side of the control compartment. The 9.5 mm flexible gas hose provided needs to be brought in from behind this opening. Ensure all gas connections are tight.
- 3) Locate the center point where the vent will pass through the chimney above the appliance. Move the appliance into the exact location where it is to be installed. Ensure that the Insert is level.



NOTE: Shut off valve must be installed in an accessible location.

## Flueing

**WARNING**  
DO NOT USE AN UNLINED MASONRY CHIMNEY AS THE FLUE FOR THIS APPLIANCE. THE APPLIANCE MUST NOT CONNECT TO A CHIMNEY FLUE SERVING A SEPARATE SOLID FUEL BURNING APPLIANCE AND MUST BE TERMINATED TO THE OUTDOORS.

This appliance is designed to be attached to two co-linear aluminium flex pipes running the full length of the chimney. The flue length must be a minimum length of 2.44 m and a maximum of 10.7 m. See chart for minimum distances from roof. Periodically check that the vent is unrestricted.

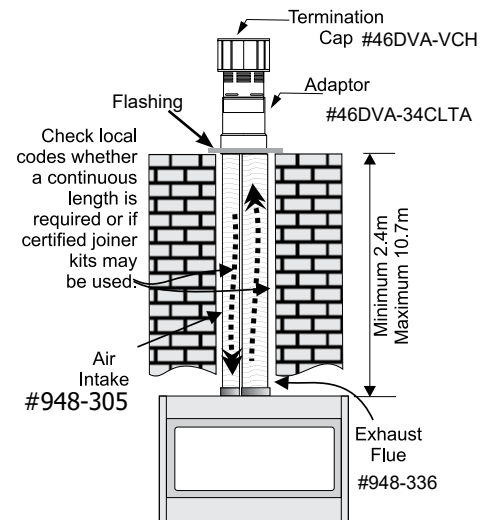
Masonry chimneys may take various contours which the flexible liner will accommodate. However, **keep the flexible liner as straight as possible**, avoid unnecessary bending.

The Air Intake pipe must be attached to the inlet air collar of the adaptor.

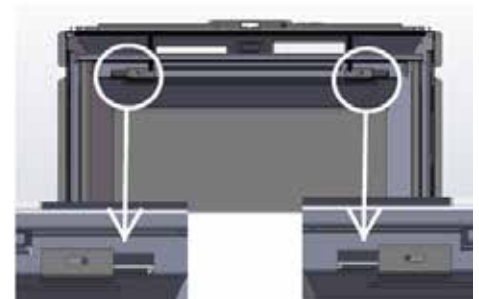
## 946-773 Vertical Flue Kit

The flue kit contains the following:

Part #	Description
948-305	76mm Flex - 10.7m
948-336	102mm Flex - 10.7m
46DVA-VCH	Termination Cap High Wind
46DVA-34CLTA	Adaptor & Chimney Plate



Note: When installing the flueing, identify the flues. Mark one exhaust and one intake as indicated on the top of the unit.



### Flue Restrictor Settings:

29 mm x 2 (Factory Set)

## CLEARANCES

The clearances listed below are minimum distances unless otherwise stated.

A major cause of chimney related fires is failure to maintain required clearances (air space) to combustible materials. It is of the greatest importance that this fireplace and flue system be installed only in accordance with these instructions.

**CAUTION** The top, back and sides of the fireplace are defined by standoffs. The metal ends of the standoff may NOT be recessed into combustible construction.

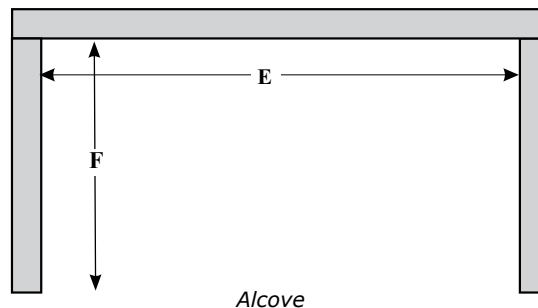
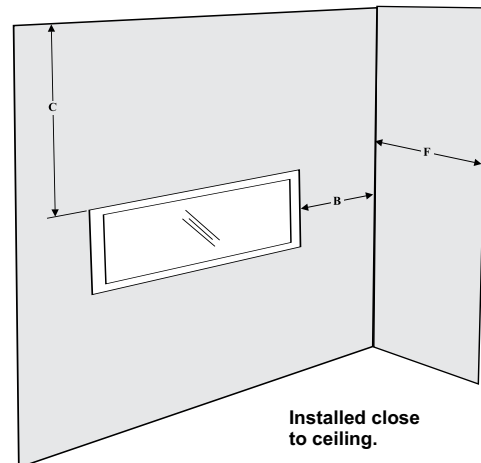
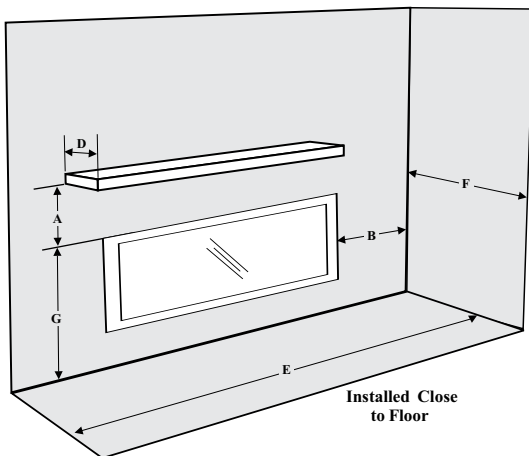
**WARNING** Fire hazard is an extreme risk. If these clearances (air space) to combustible materials are not adhered to. It is of greatest importance that this fireplace and flue system be installed only in accordance with these instructions.

Clearance:	Dimension	Measured From:
<b>A: Mantel Height (min.)</b>	293mm	Top of Fireplace Opening (Hot Air Outlet)
<b>B: Sidewall (on one side)</b>	180mm	Side of Fireplace Opening
<b>C: Ceiling (room and/or alcove)</b>	1067mm	Top of Fireplace Opening
<b>D: Mantel Depth (max.)</b>	305mm	512mm Above Fireplace Opening
<b>E: Alcove Width</b>	1524mm	Sidewall to Sidewall (Minimum)
<b>F: Alcove Depth</b>	787mm	Front to Back Wall (Maximum)
<b>G: From Floor</b>	583mm	Top of Fireplace Opening (Hot Air Outlet)
<b>Note:</b>	0	No hearth required

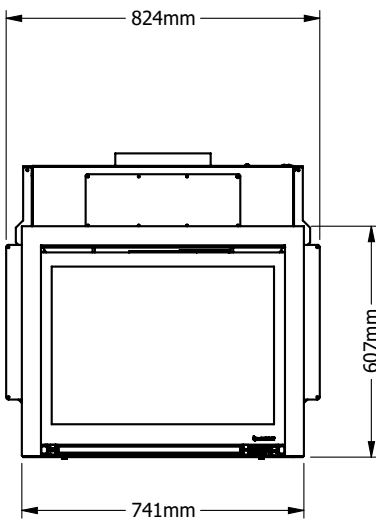
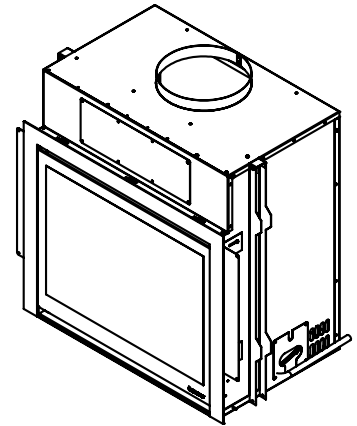
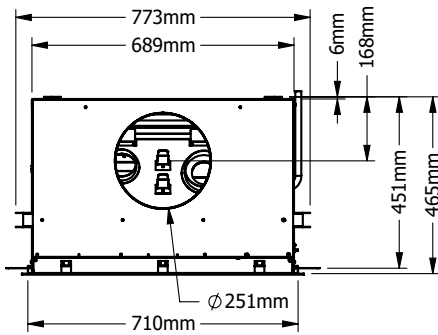
Flue Clearances to Combustibles	
Around Flue	51mm

**NOTE** THE APPLIANCE MUST BE INSTALLED ON A FLAT, SOLID, CONTINUOUS SURFACE. FOR EXAMPLE A WOOD, METAL OR CONCRETE FLOOR. IN A RAISED (ON THE WALL) APPLICATION THE APPLIANCE MUST BE INSTALLED ON A METAL OR WOOD PANEL EXTENDING THE FULL WIDTH AND DEPTH OF THE APPLIANCE.

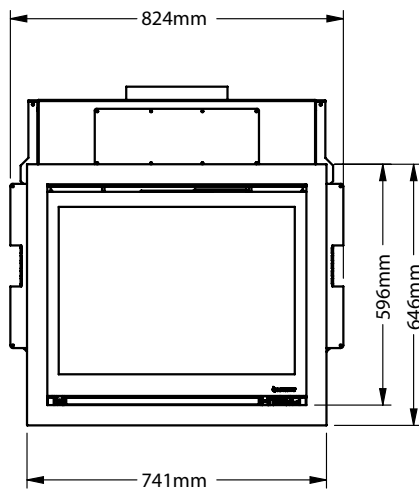
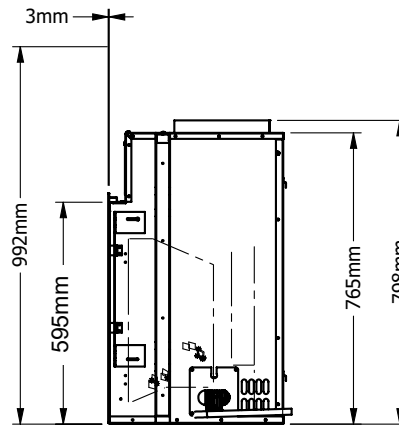
**NOTE** THE UNIT CAN BE INSTALLED ONTO A COMBUSTIBLE BASE.



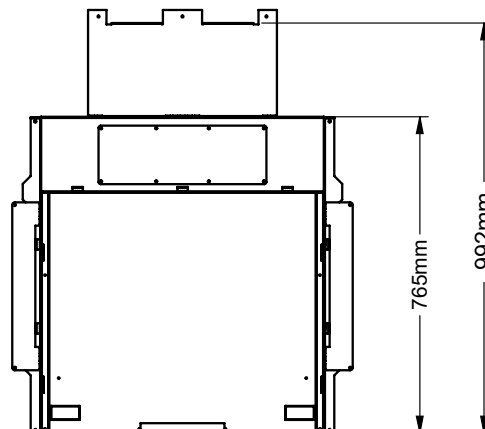
## UNIT DIMENSIONS



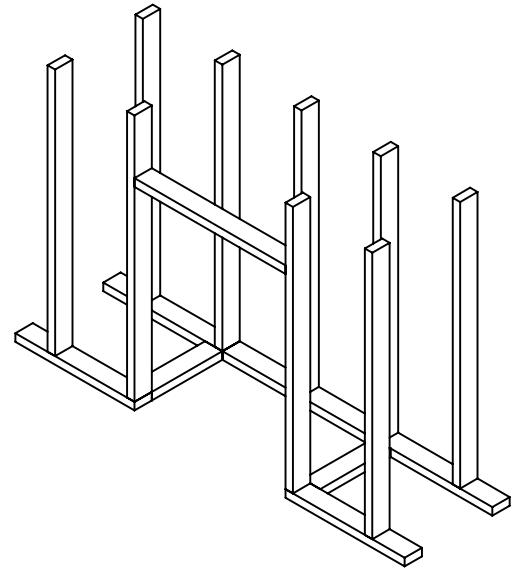
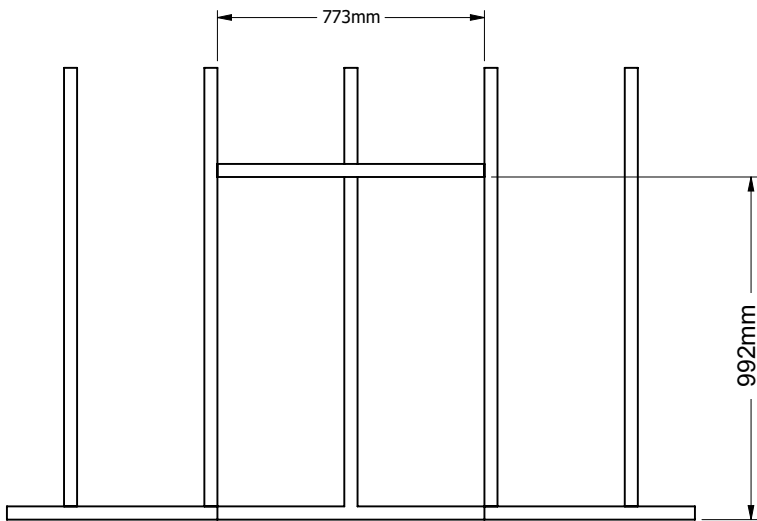
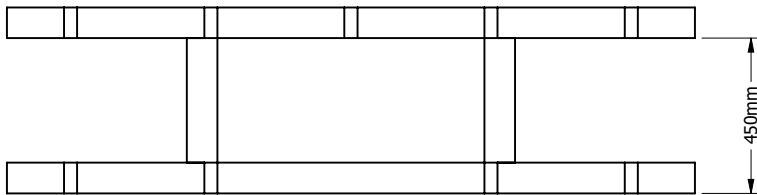
**3-sided Fascia**



**4-sided Fascia**

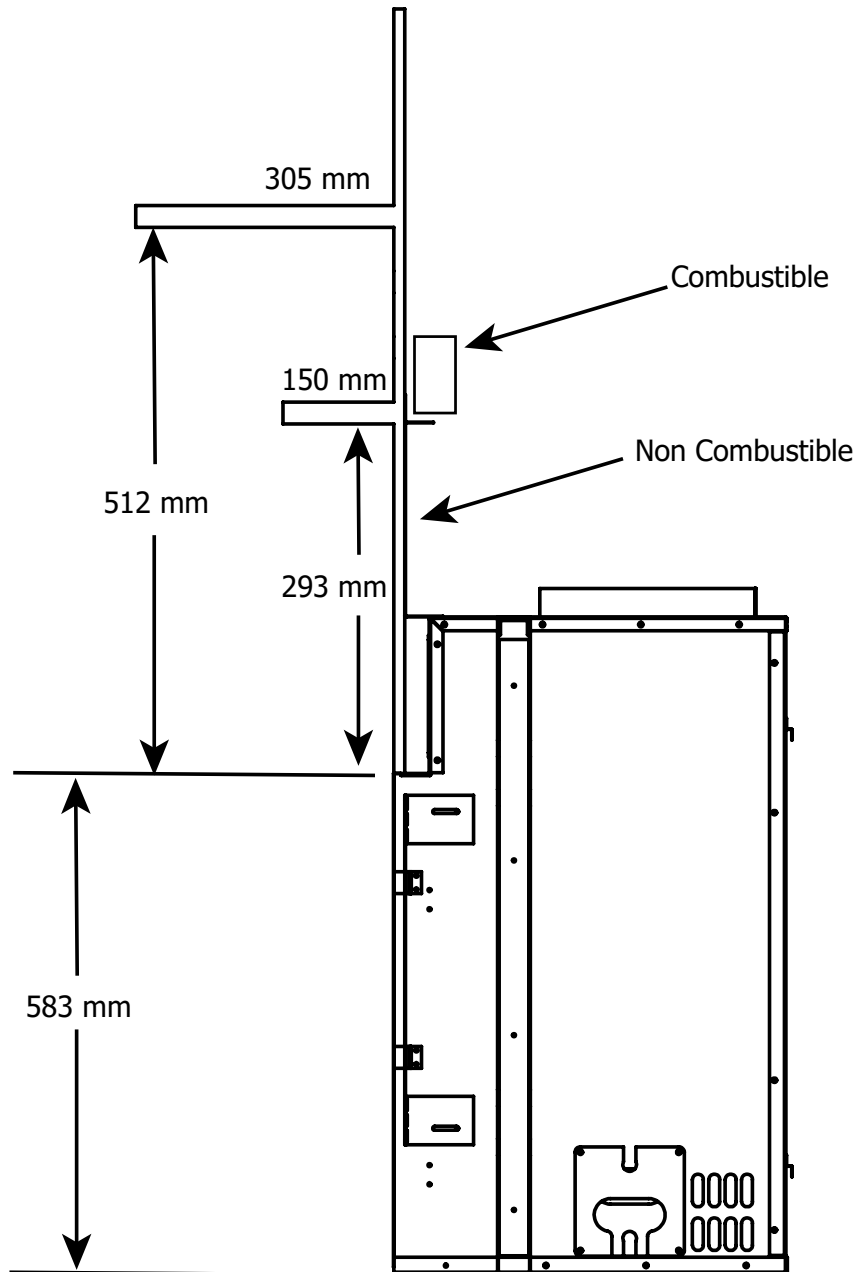


## FRAMING DIMENSIONS

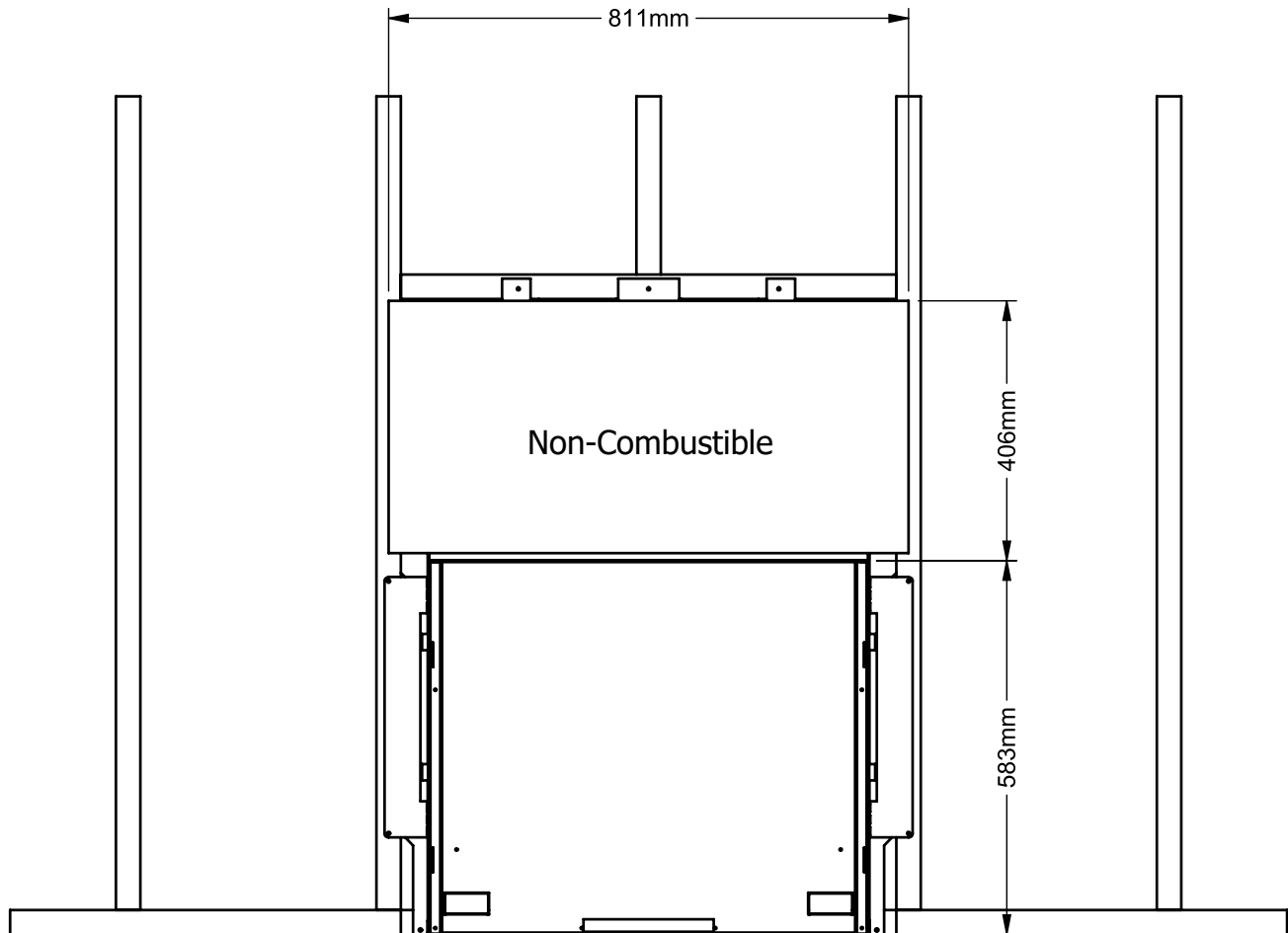




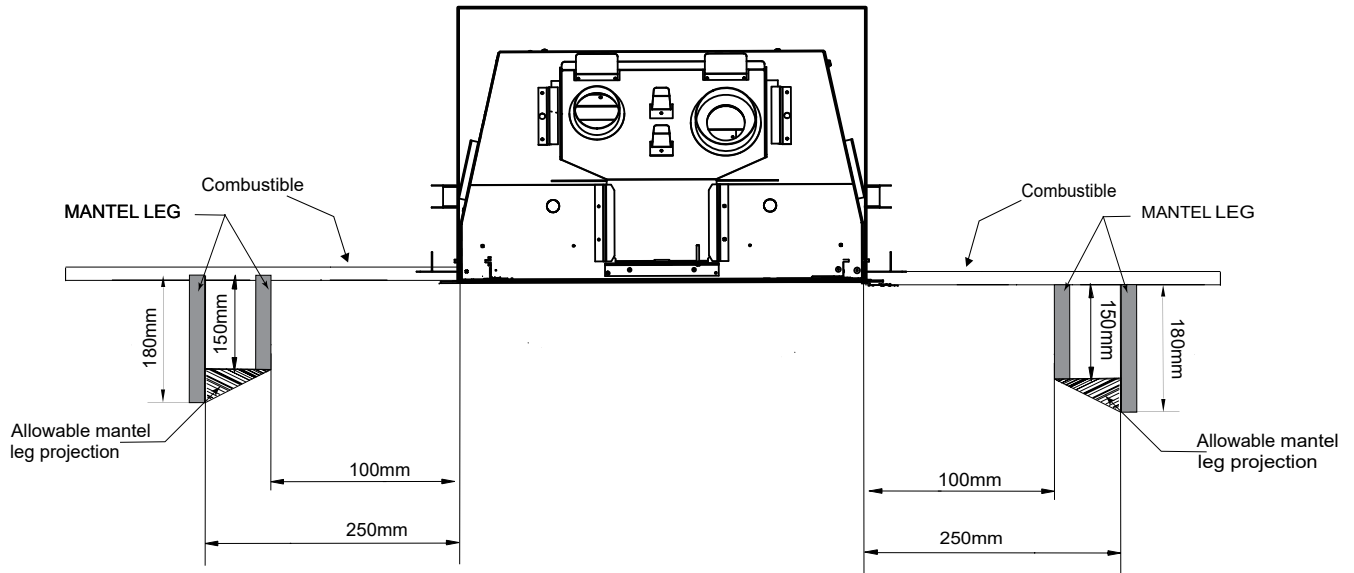
## MANTEL DIMENSIONS



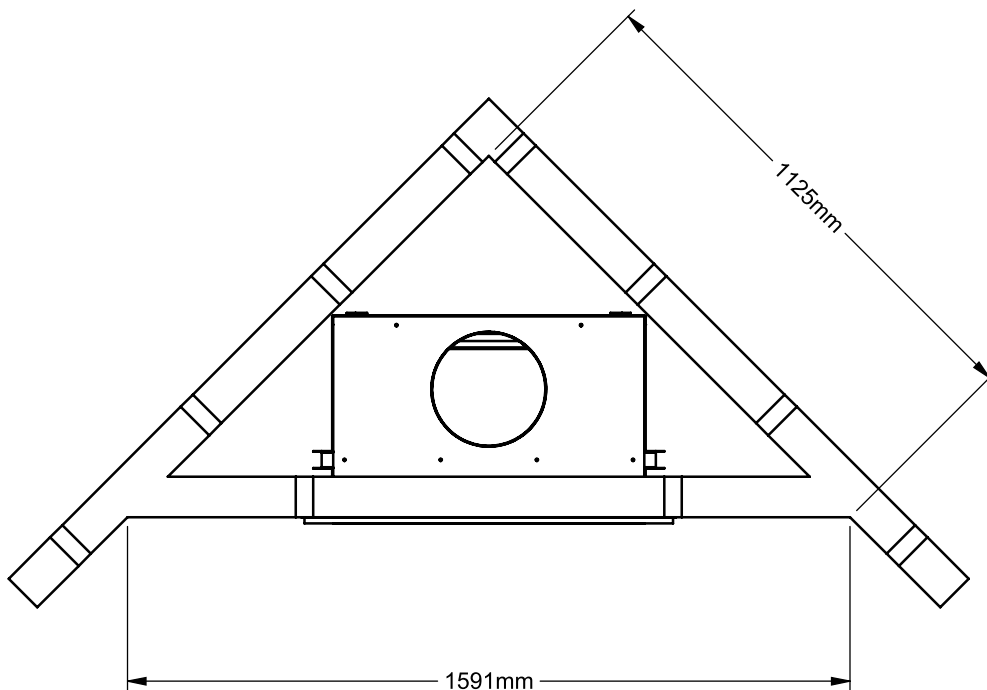
## NON-COMBUSTIBLE REQUIREMENTS



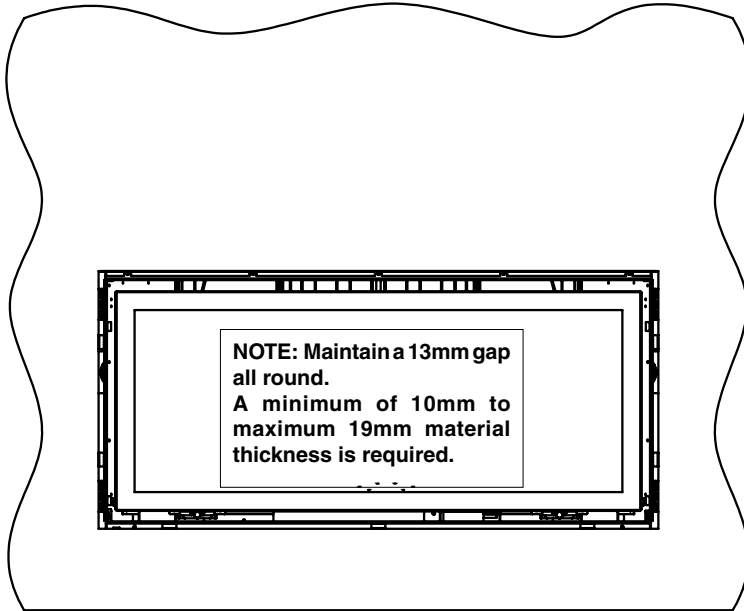
## MANTEL LEG CLEARANCES



## FRAMING DIMENSIONS



**Maintain a 13mm gap all around**



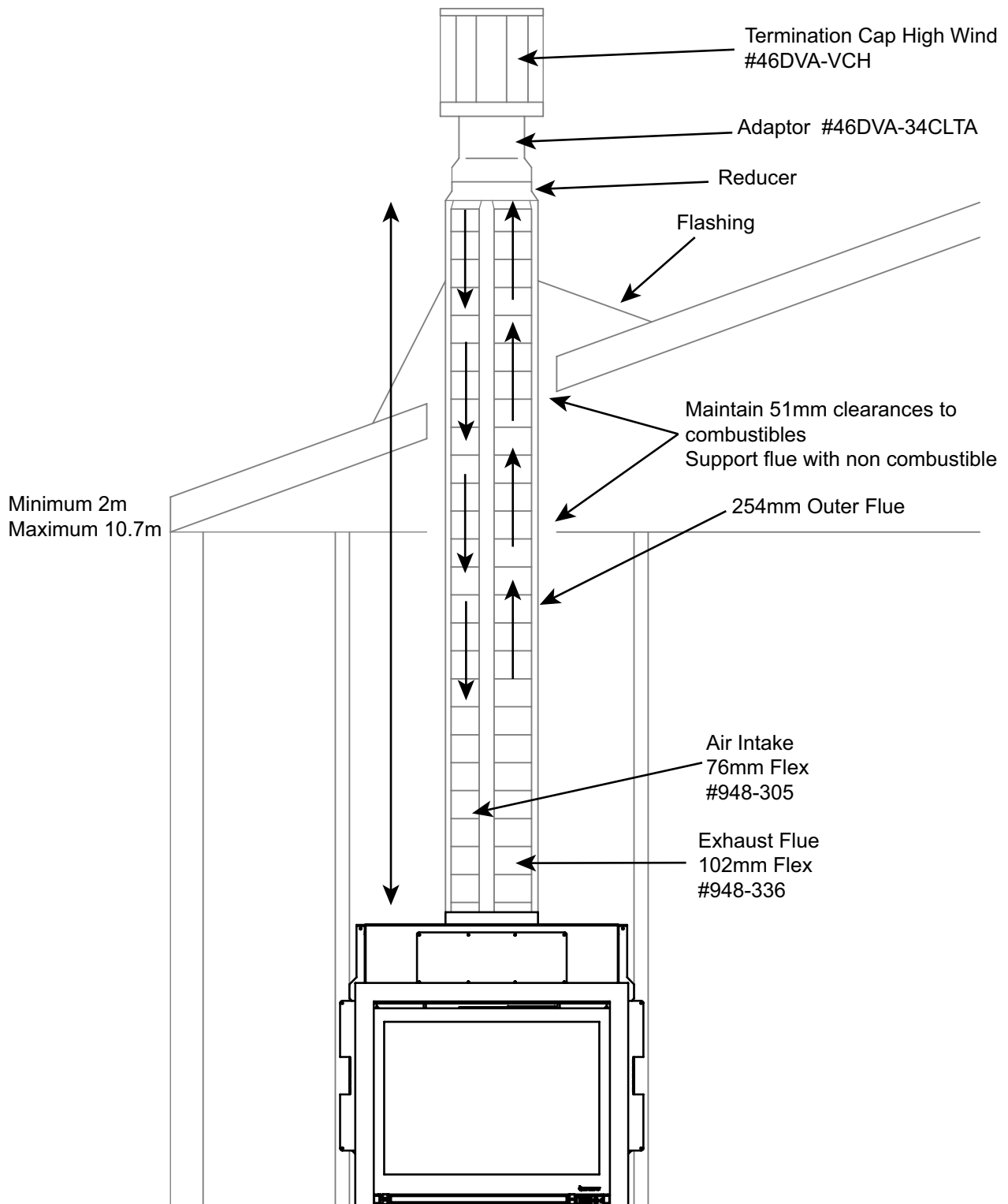
**NOTE:**

The appliance must be installed on a flat, solid, continuous surface. For example a wood, metal or concrete floor. In a raised (on the wall) application the appliance must be installed on a metal or wood panel extending the full width and depth of the appliance.

**NOTE:**

Do not remove the standoffs which are located around the perimeter of this unit. These are in place and act as a guide for the combustible material to be placed.

## FLUEING ARRANGEMENT FOR VERTICAL TERMINATION



## FLUEING ARRANGEMENT FOR VERTICAL TERMINATION WITH FOUR (4) 45° ELBOWS

