

Berwick I100B-2 Fireplace Insert

I100B-2	
Flue Size	152 mm
Efficiency	61%
Average Heat Output (kW)	8 kW
Emissions	0.6 g/kg.
Heating Capacity	180+ sq.m*

*Varies depending on home floor plan, house layout, heat loss of the house and quality/moisture content of wood.

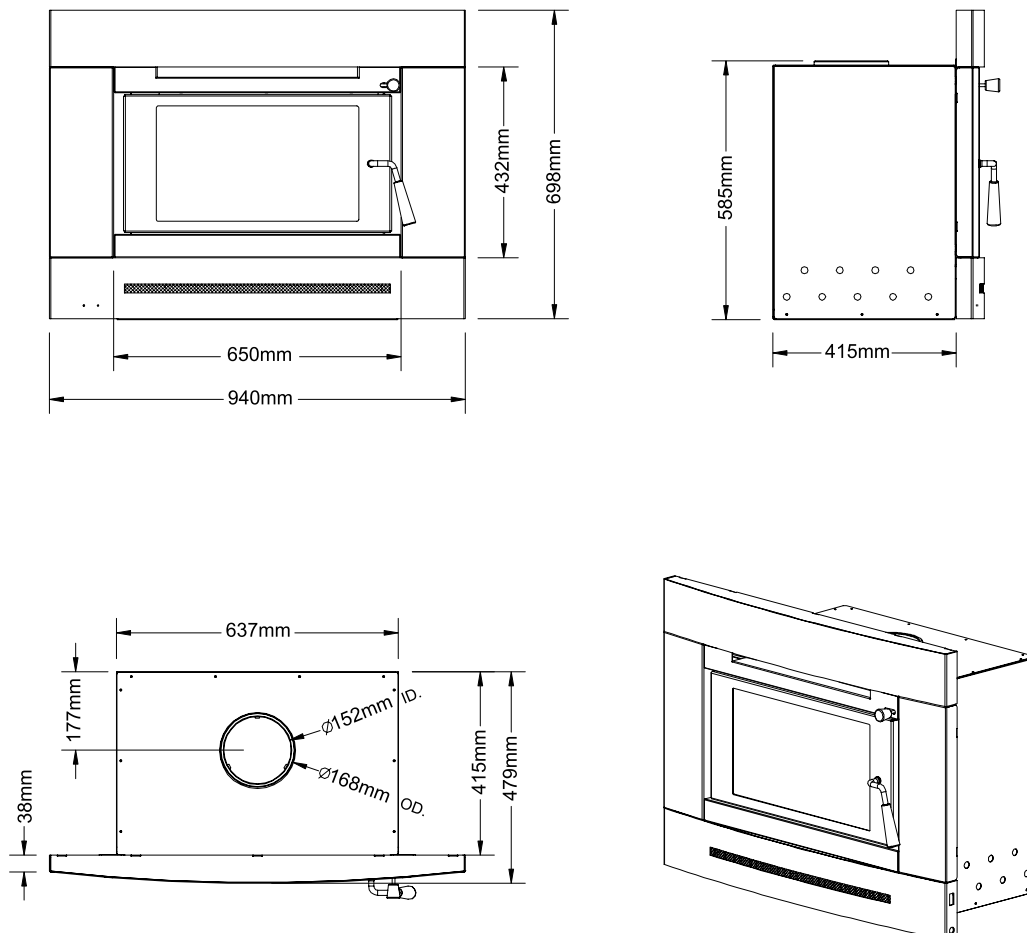
Wood Insert Specifications

Your fireplace opening requires the following minimum sizes:

Height	589 mm
Width	640 mm
Depth	420 mm

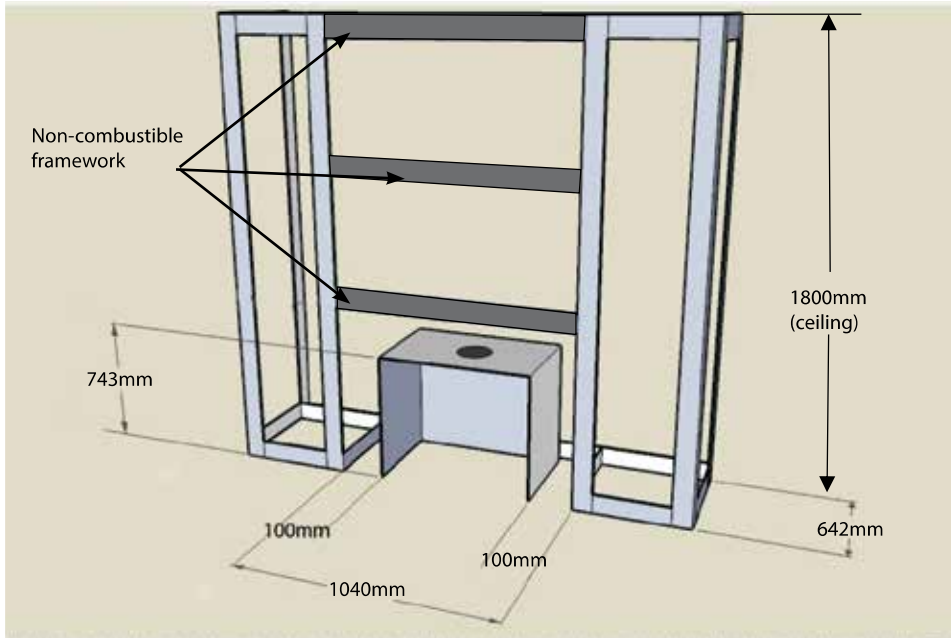


DIMENSIONS

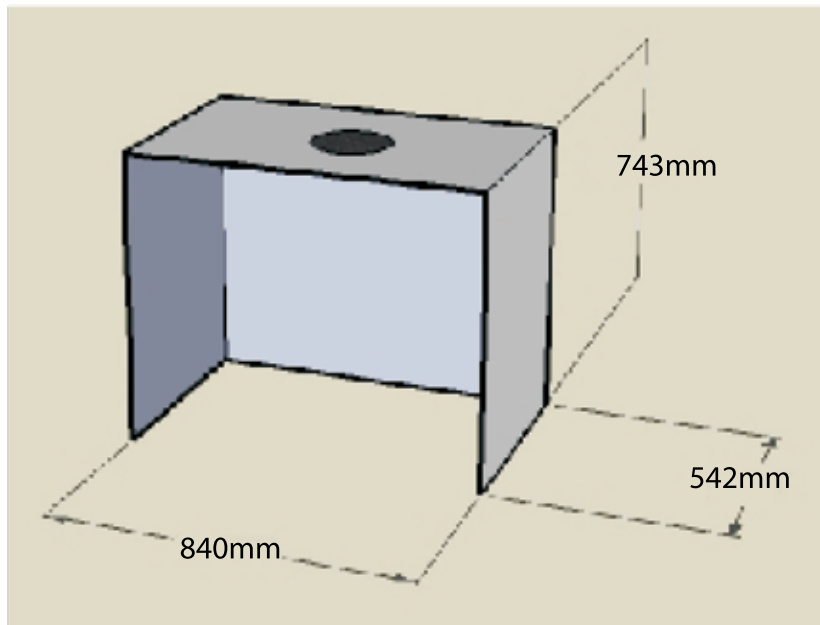


Zero Clearance Dimensions to Combustible Materials

Important: Non-combustible sheeting of a minimum thickness of 9mm must be used on the front face of the enclosure.



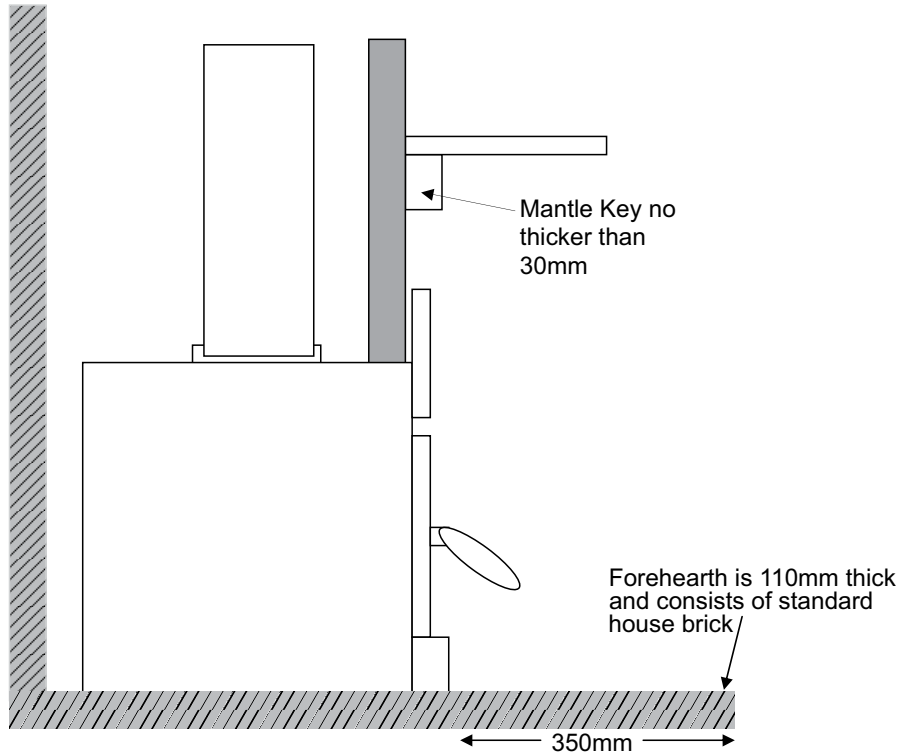
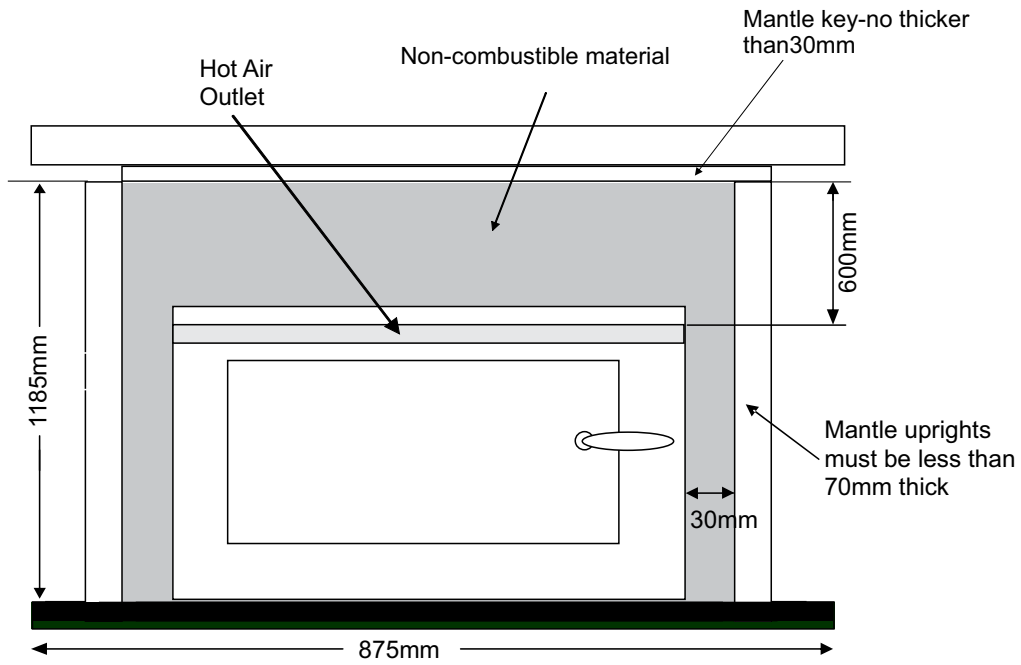
Zero Clearance Box Dimensions



Ceiling requires 100mm airgap where flue penetrates (minimum 450mm diameter cutout).

ALL FRAMING MATERIAL (WHERE SHADED) MUST BE NON-COMBUSTIBLE.

Fireplace Clearances



NOTE: If using 24mm cement sheet the hearth will need to be extended to 570mm.