

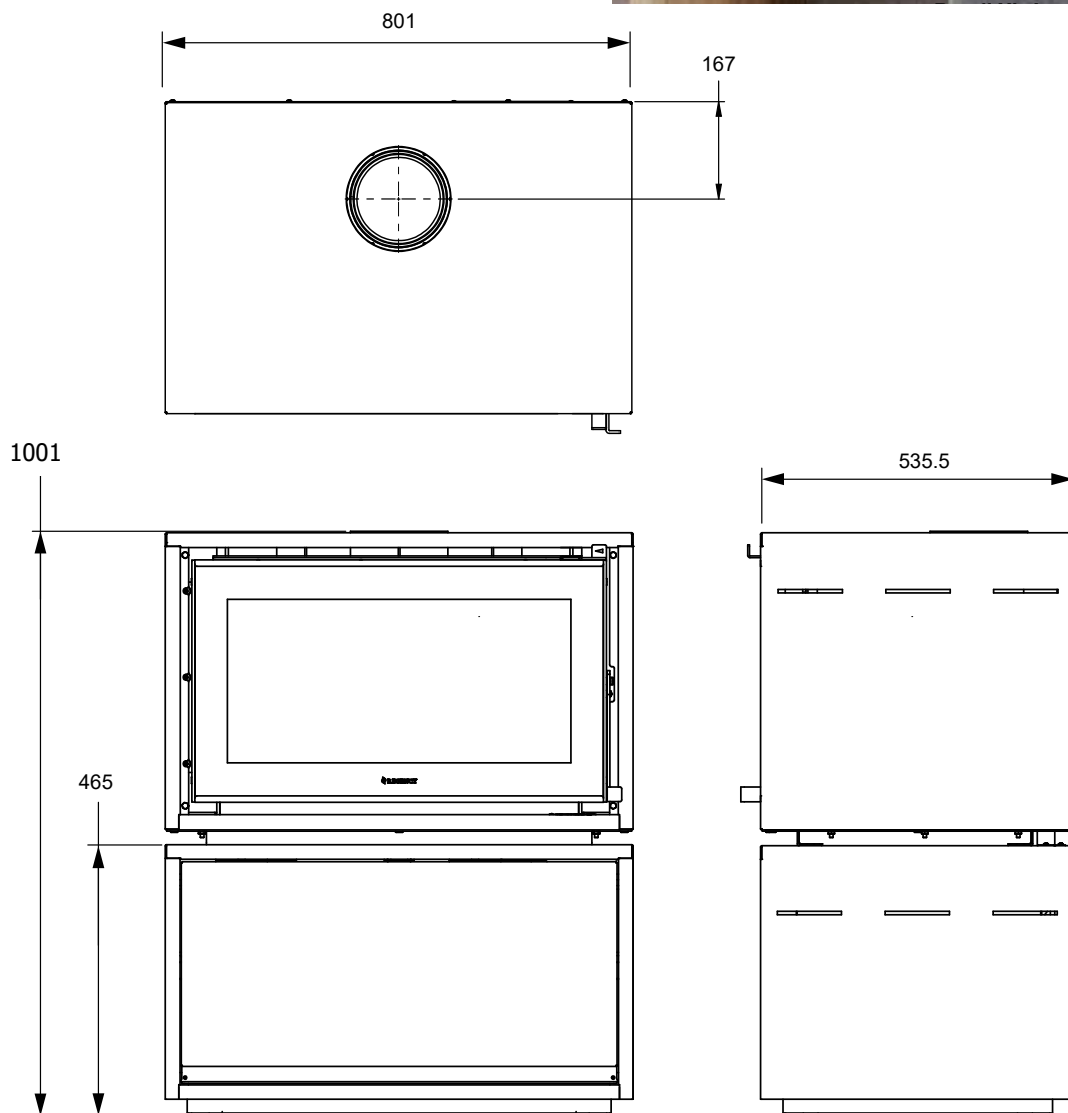
Bondi XL F320B-2 Freestanding Wood Fire

F320B-2	
Flue Size	152 mm
Average Heat Output (kW)	12.2 kW
Efficiency	63%
Heating Capacity	Heats up to 300 sq. m.*
Emissions (grams/kg)	0.8 g/kg

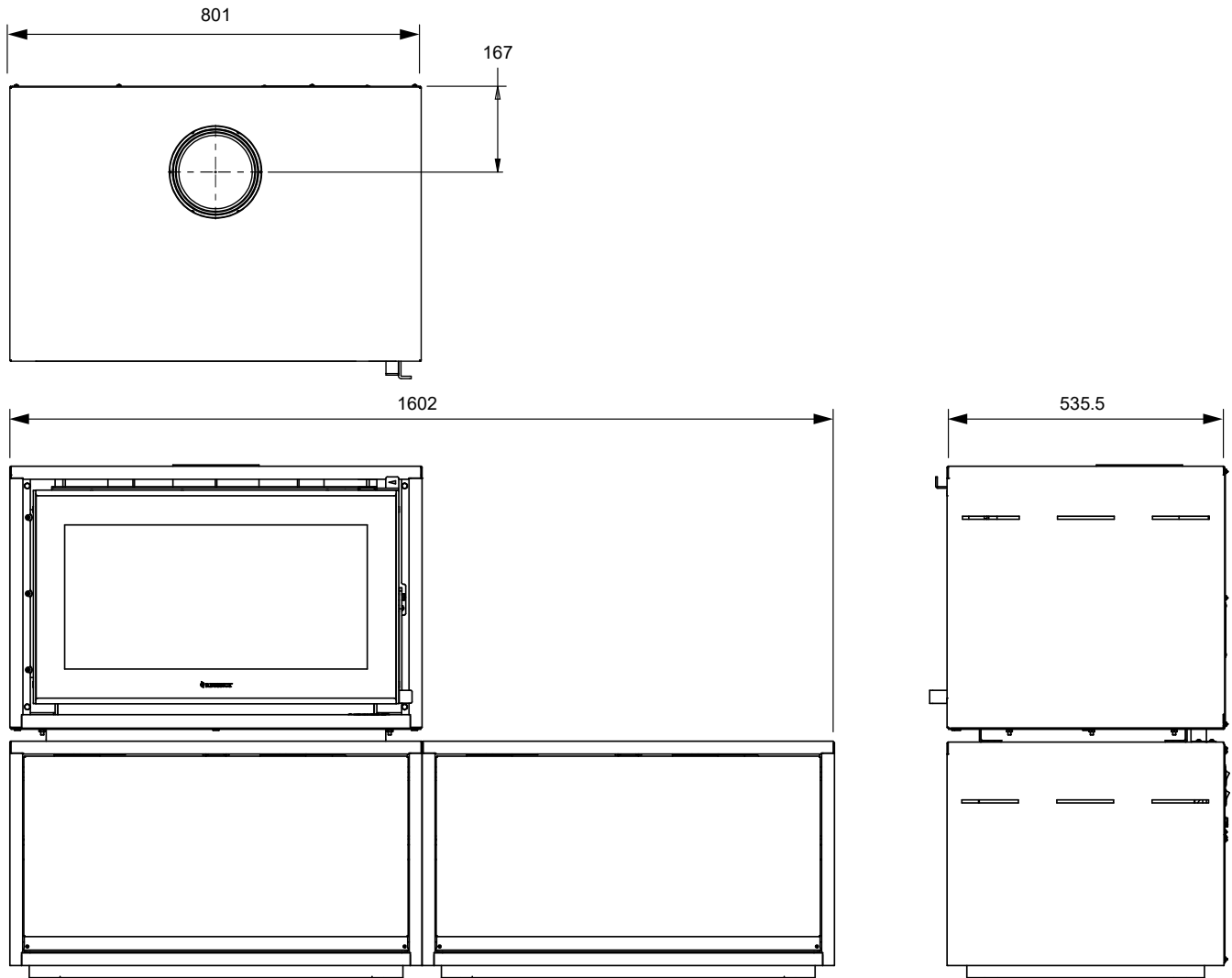
* Varies depending on home floor plan, house layout, heat loss of the house and quality/moisture content of wood.
 Note : Unit dimensions shown in millimeters.



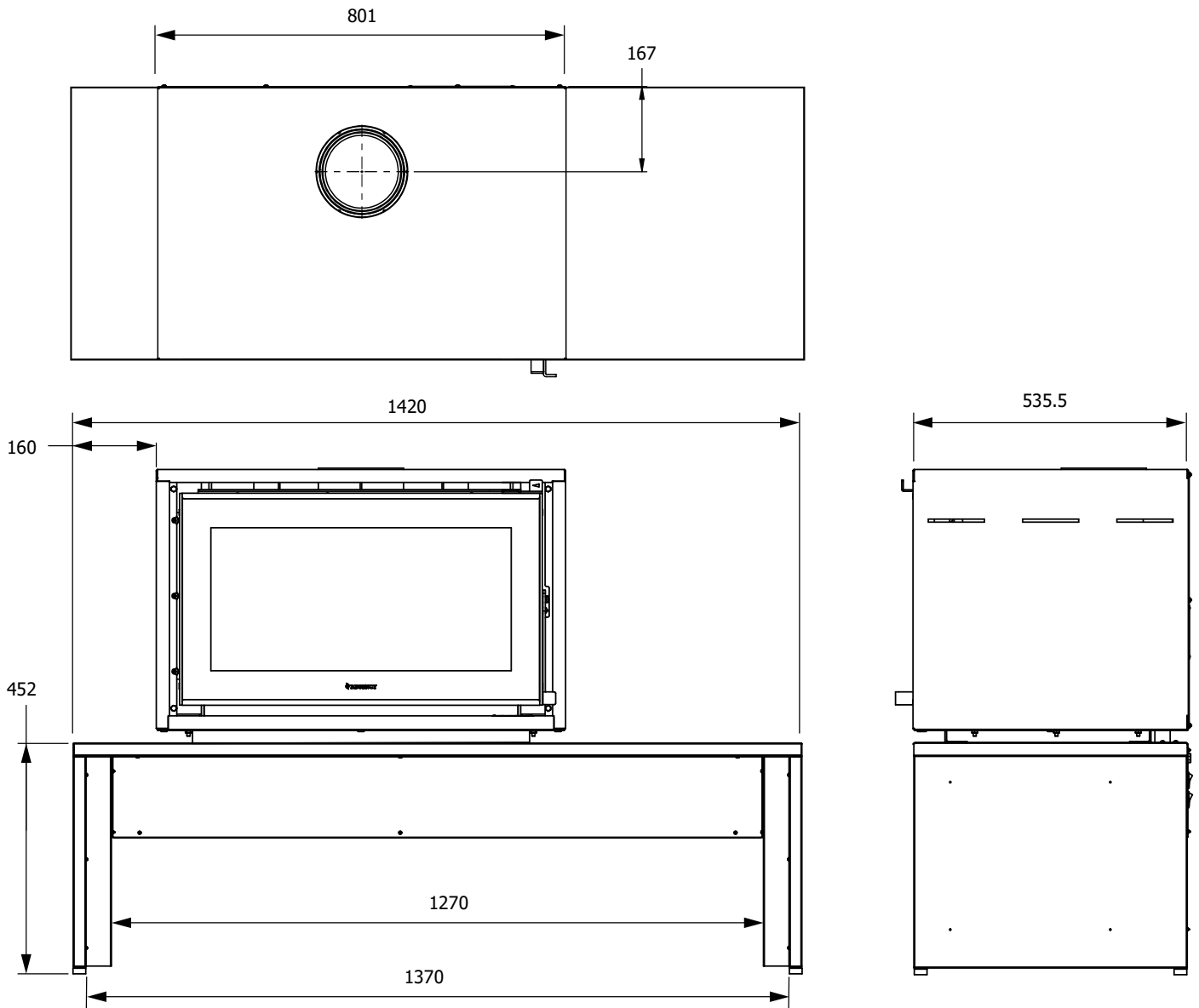
UNIT DIMENSIONS WITH WOOD STACKER & FAN KIT



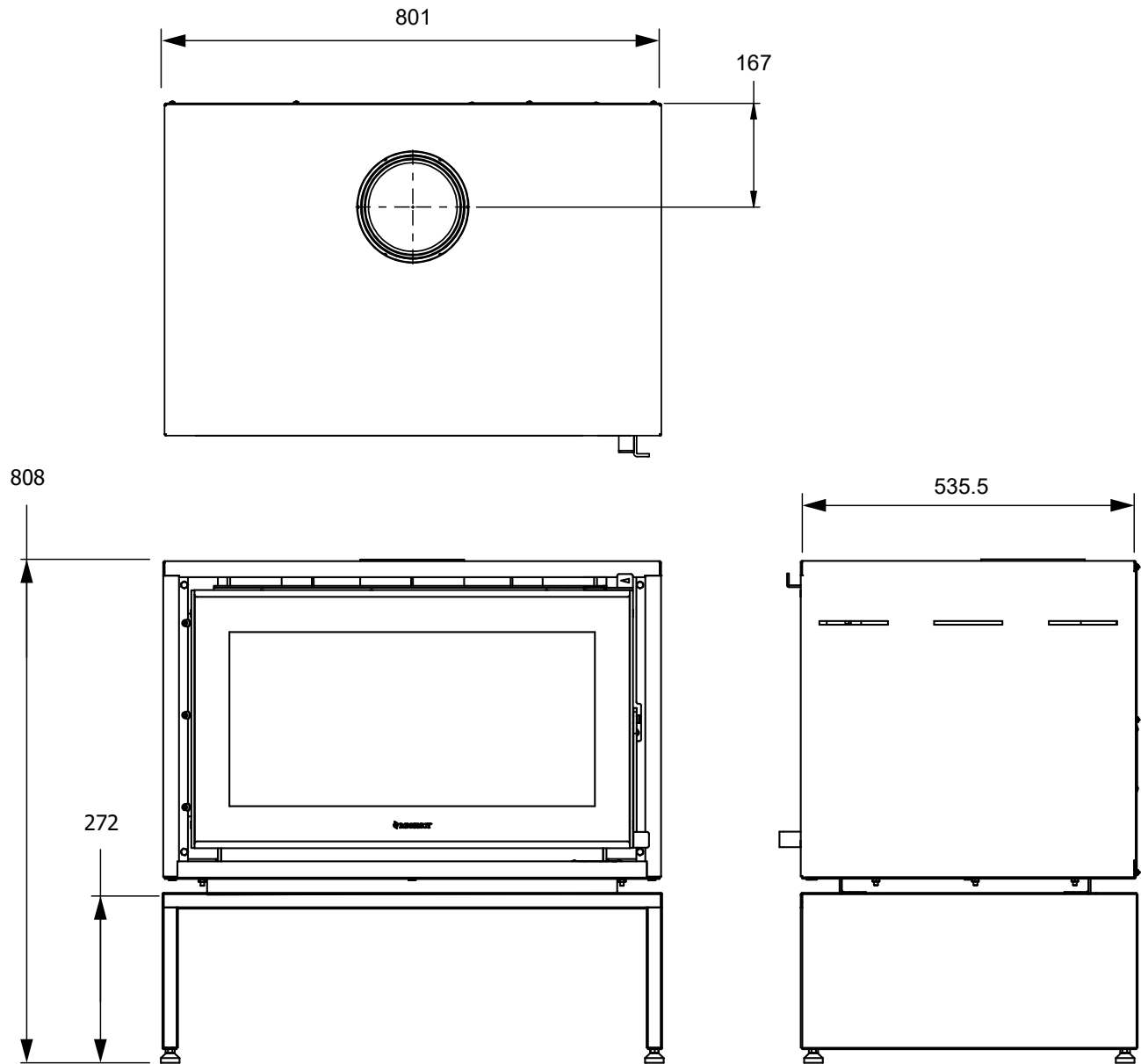
UNIT DIMENSIONS WITH WOOD STACKER + SIDE WOOD STACKER & FAN KIT



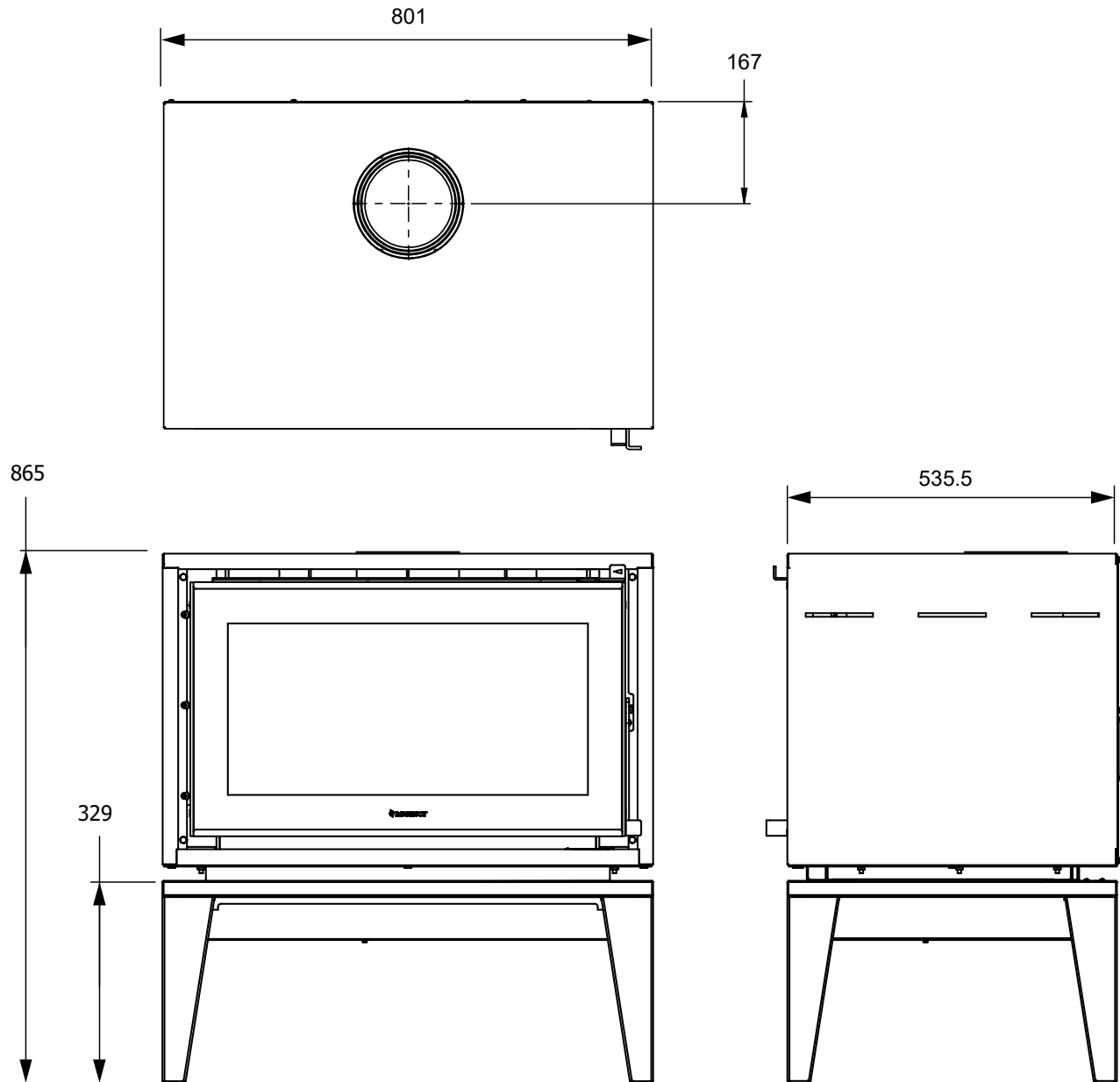
UNIT DIMENSIONS WITH FIXED POSITION BENCH & FAN KIT



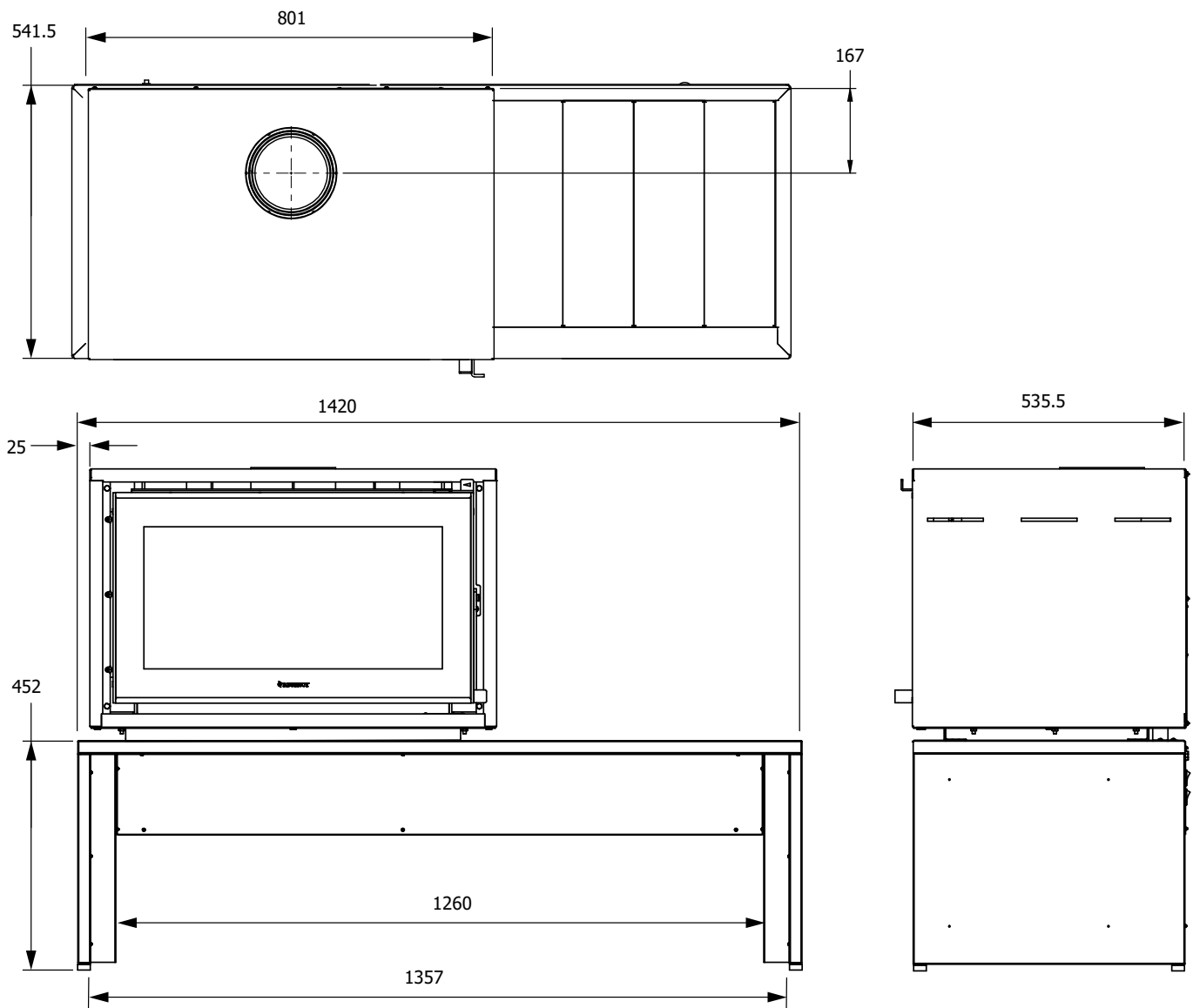
UNIT DIMENSIONS WITH LOW BASE



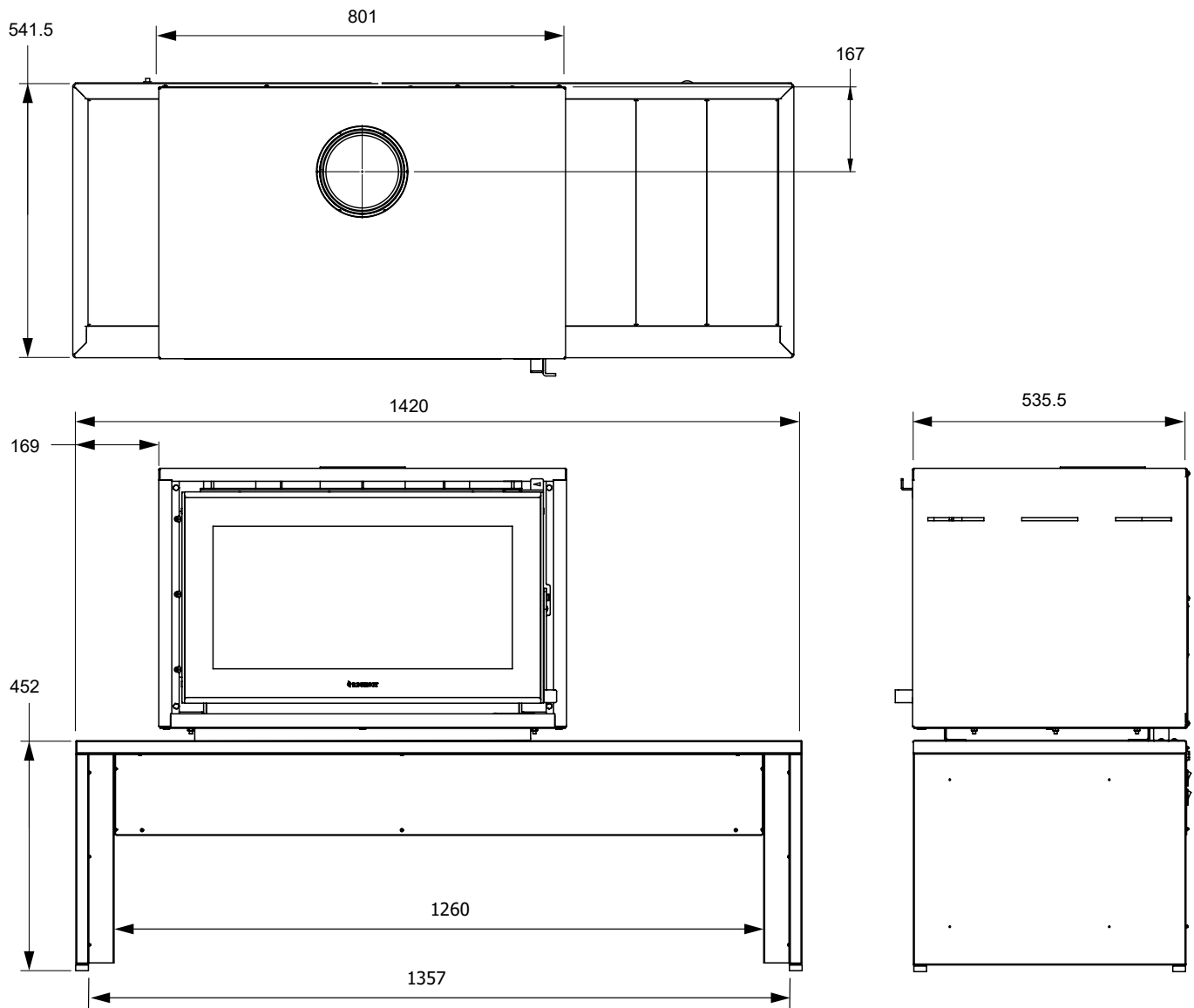
UNIT DIMENSIONS WITH LEGS



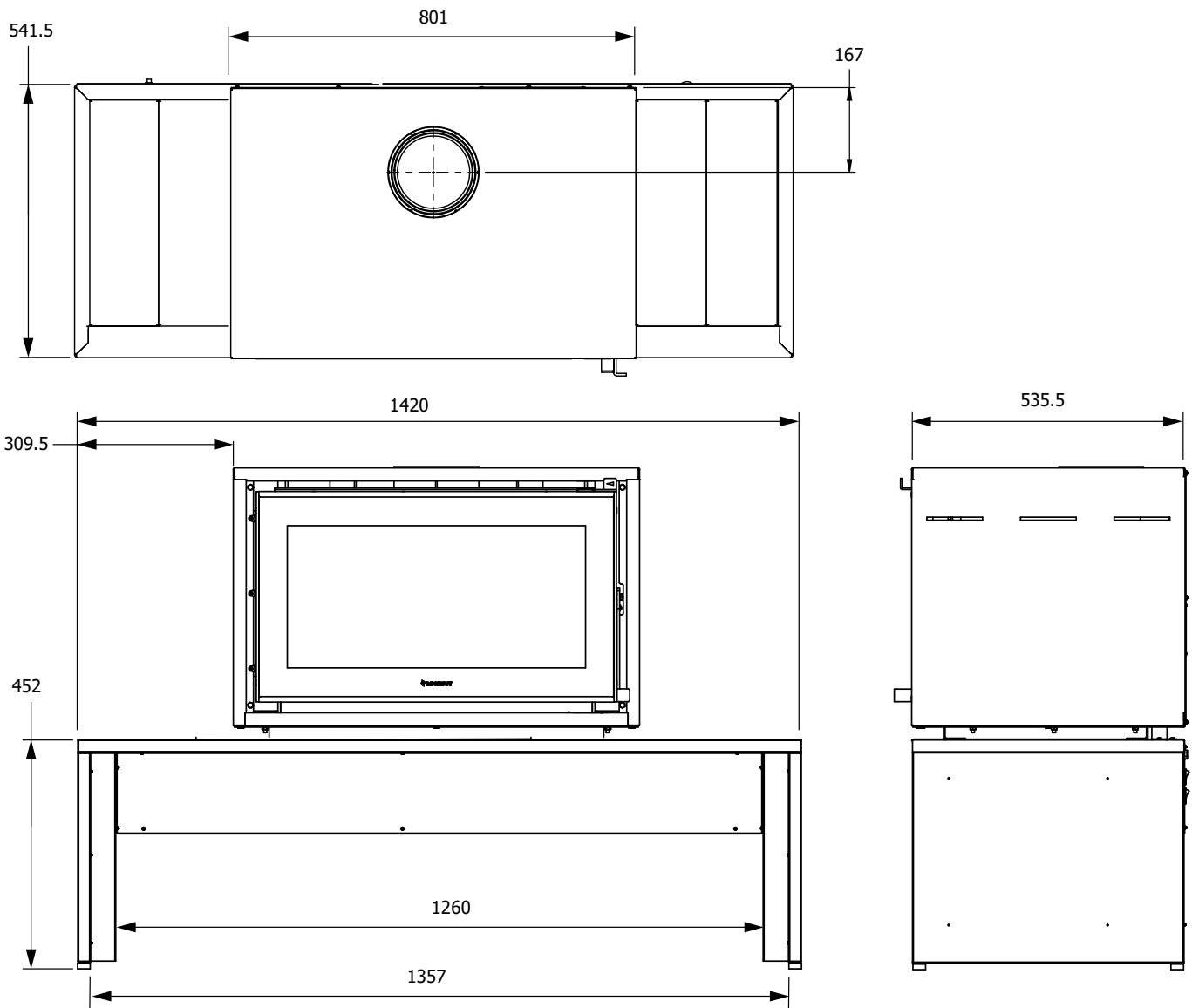
UNIT DIMENSIONS WITH PREMIUM MODULAR BENCH & FAN KIT - LEFT



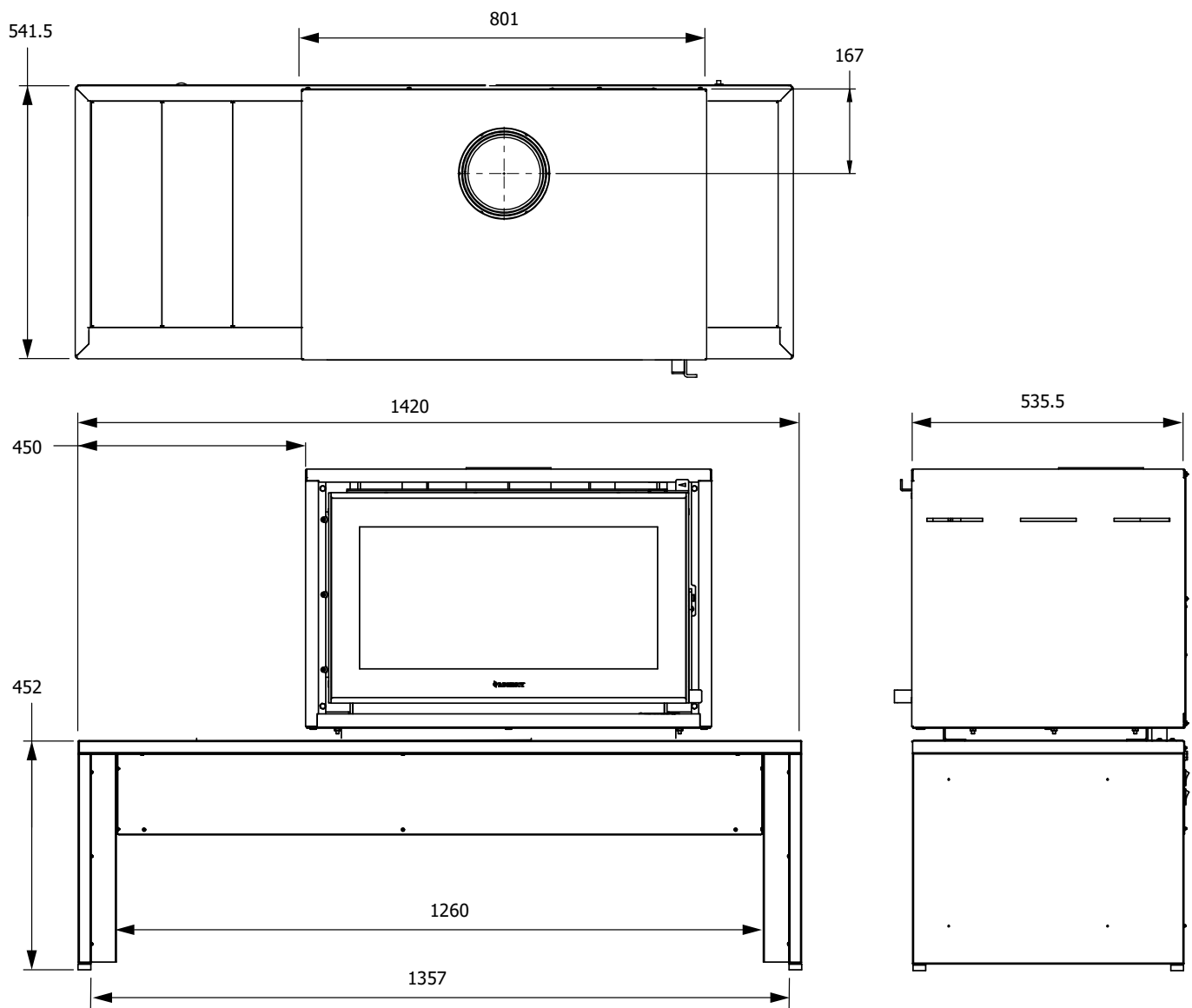
UNIT DIMENSIONS WITH PREMIUM MODULAR BENCH & FAN KIT - CENTER LEFT



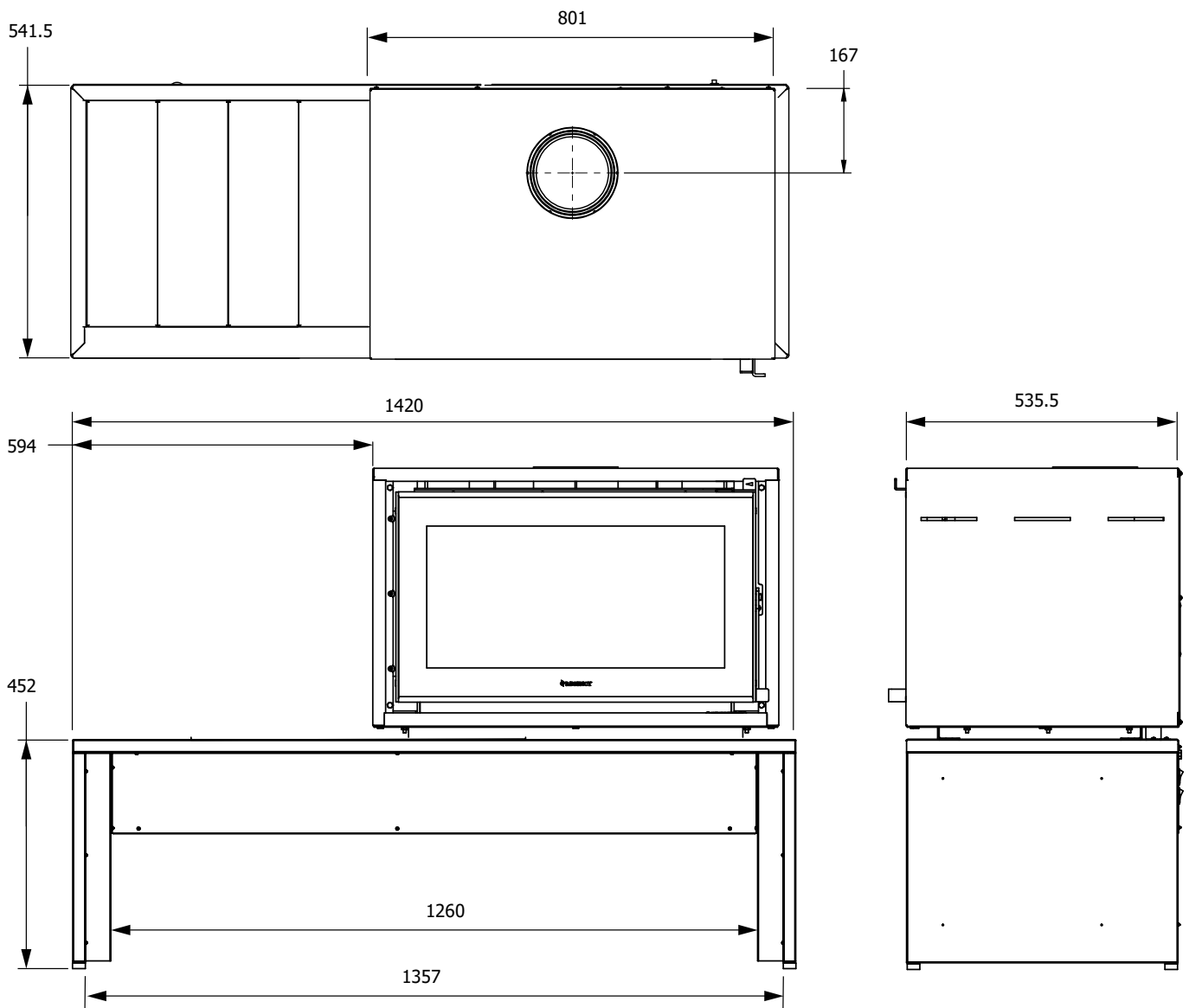
UNIT DIMENSIONS WITH PREMIUM MODULAR BENCH & FAN KIT - CENTER



UNIT DIMENSIONS WITH PREMIUM MODULAR BENCH & FAN KIT - CENTER RIGHT

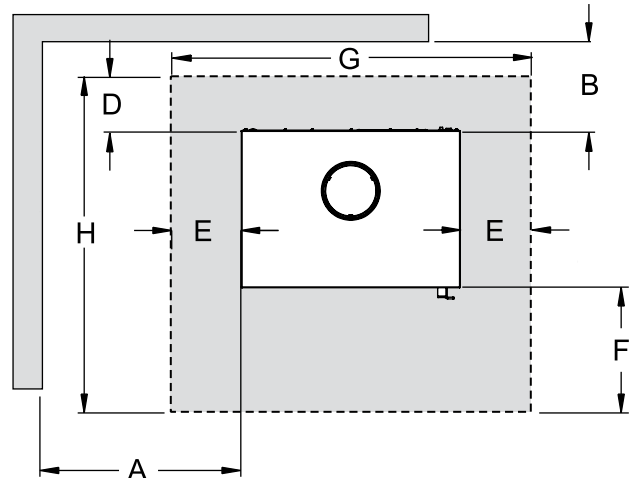


UNIT DIMENSIONS WITH PREMIUM MODULAR BENCH & FAN KIT - RIGHT



MINIMUM CLEARANCE TO COMBUSTIBLE MATERIALS BONDI XL F320B-2

	Triple Skin Mesh Decro	Triple Skin Solid Decro	AHD Special Insulated Flue Kit
A	450mm	450mm	400mm
B	150mm* (1)	150mm* (1)	150mm* (2)
C	300mm	300mm	300mm
D	0mm* (3)	0mm* (3)	0mm* (3)
E	107mm	107mm	107mm
F	300mm	300mm	300mm
G	1015mm	1015mm	1015mm
H	835mm	835mm	835mm

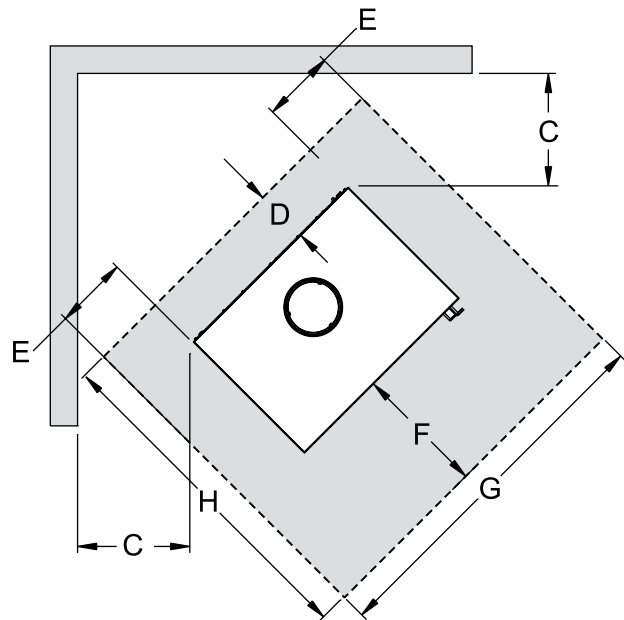


Floor Protection

A combustible floor must be protected by non-combustible material (like tile, concrete board, or as defined by local codes) extending beneath the heater as shown.

From Sides: Dimension (E)
From Front: Dimension (F)
From Back Shield: Dimension (D)

The floor protector should consist of 6mm thick cement fibre sheet which has a thermal resistance of 0.8m² k/w for 6mm sheets of cement fibre sheet.



IMPORTANT

* (1) The **Triple Skin flue kit** requires one 180° x 900mm stainless reflective shield between the decromesh casing and active flue. If no shield is fitted rear clearance should be 250mm.

* (2) The **AHD Special Insulated flue kit** requires one 180° x 1000mm stainless reflective to be fitted behind the active flue.

* (3) Rear **Clearance "D"** is minimum 0mm although for better aesthetics it is recommended to increase to 160mm so as to meet the rear wall - overall hearth depth "H": 935mm

The flue pipe shall extend not less than 4.6m above the top of the floor protector.

NOTE: Installation must be carried out by a licensed installer in accordance with AS/NZS 2918:2018.

NOTE: A minimum clearance of 100mm (flat wall) or 75mm (corner wall) must be retained for all wall surfaces to allow for fan access and maintenance.