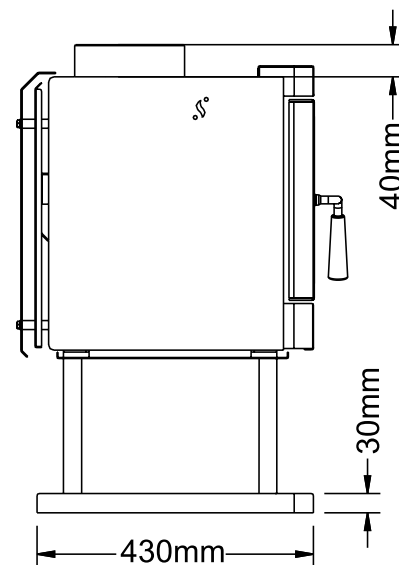
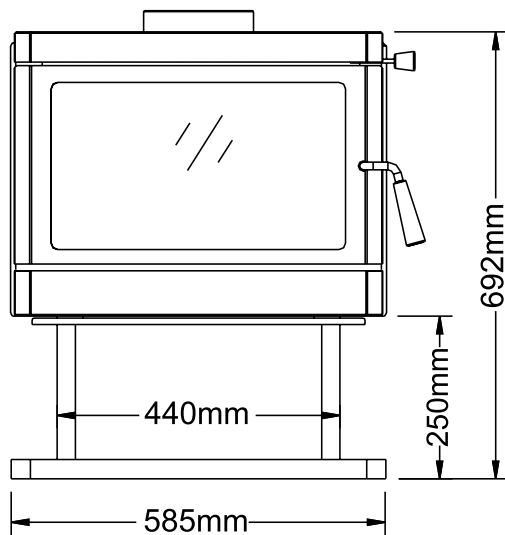
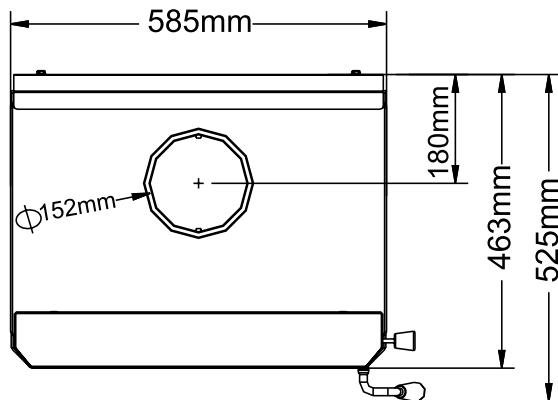


# Cardinia F150B-2 Freestanding Wood Fire

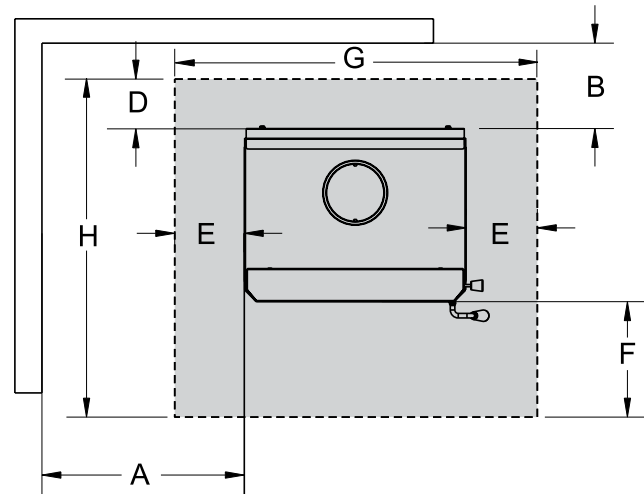
F150B-2	
Flue Size	152 mm
Efficiency	69%
Average Heat Output (kW)	10 kW
Emissions	0.5 g/kg
Heating Capacity	160 - 200 sq.m*

\*Varies depending on home floor plan, house layout, heat loss of the house and quality/moisture content of wood.



## Minimum Clearance to Combustible Materials

	Flo-Met Super Single <sup>*(1)</sup>	Hawkwind Standard <sup>*(2)</sup>	AHD Special Insulated <sup>*(3)</sup>
A	700mm	700mm	750mm
B	200mm	225mm	250mm
C	450mm	450mm	450mm
D	192mm	192mm	192mm
E	147mm	147mm	147mm
F	450mm	450mm	450mm
G	880mm	880mm	880mm
H	1105mm	1105mm	1105mm

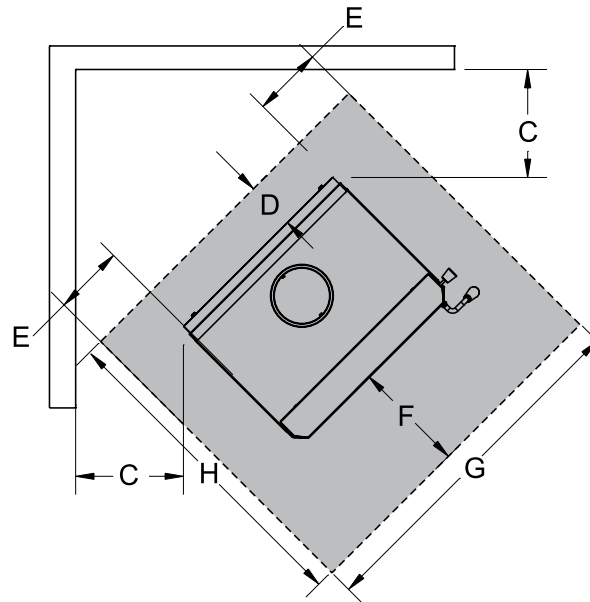


### Floor Protection

A combustible floor must be protected by non-combustible material (like tile, concrete board, or as defined by local codes) extending beneath the heater as follows;

From Sides: Refer to Dimension E  
 From Front: Refer to Dimension F  
 From Back: Refer to Dimension D

The floor protector should consist of 12mm thick cement fibre sheet which has a thermal resistance of 0.8m<sup>2</sup> k/w for 4mm sheets of cement fibre sheet.



#### IMPORTANT

\* (1) The Flo-Met Super Single flue kit must be installed with a 130° x 900mm stainless reflective shield between decromesh and active flue plus an additional 900mm x 130° stainless shield positioned 20mm behind decromesh directly on top of the appliance.

\* (2) The Hawkwind Standard flue kit requires 130° x 900mm stainless reflective shield between the decromesh casing and active flue. The clearance can be further reduced by 25mm (to 200mm) by using 2 lengths of 7" (178mm) stainless between active flue and decromesh instead of reflective shield. If no additional shielding is added to the Standard default Hawkwind kit the rear wall clearance is 325mm.

\* (3) The AHD Special Insulated flue kit must be installed with a 40mm air gap around the flue to any combustible surfaces and the ceiling ring must be spaced as such to provide an air gap of 20mm to the ceiling.

**The flue pipe shall extend not less than 4.6m above the top of the floor protector.**

**NOTE: Installation must be carried out by a licensed installer in accordance with AS/NZS 2918:2001.**