

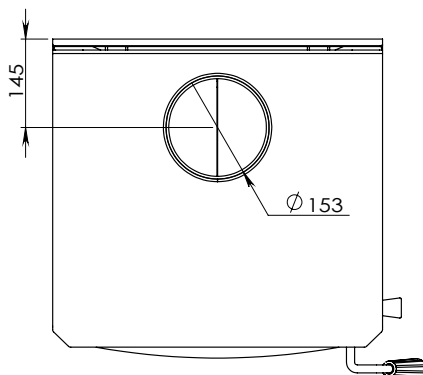
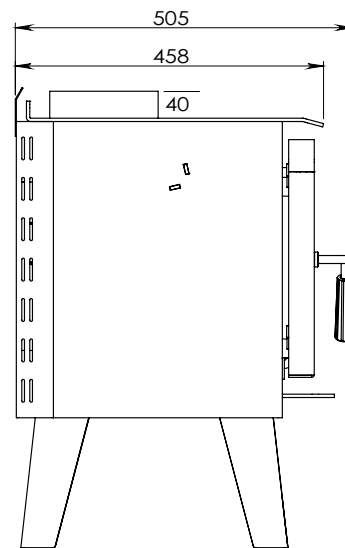
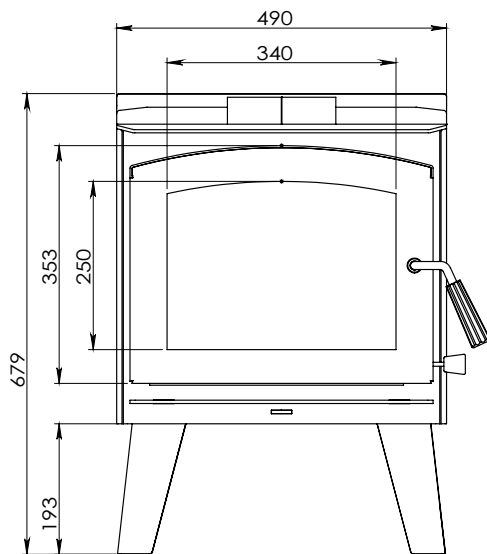
Narrabri F100B-1 Freestanding Wood Fire

F100B-1	
Flue Size	152 mm
Efficiency	67%
Average Heat Output (kW)	7.8 kW
Emissions	1.4 g/kg
Heating Capacity	100 - 140 sq.m*

* Varies depending on home floor plan, house layout, heat loss of the house and quality/moisture content of wood.



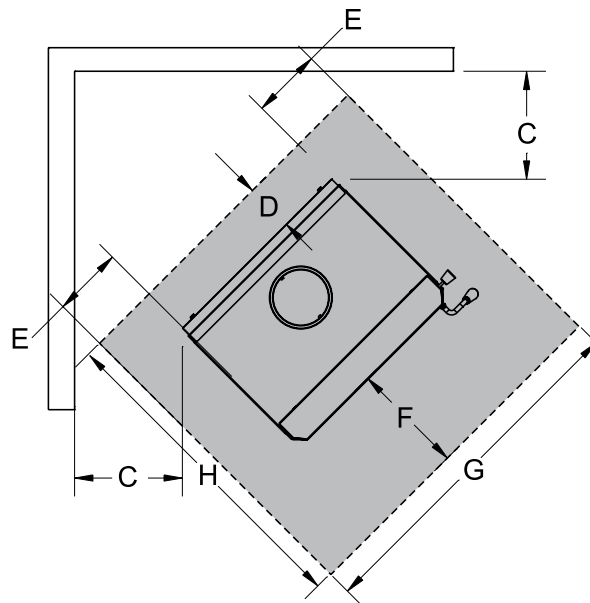
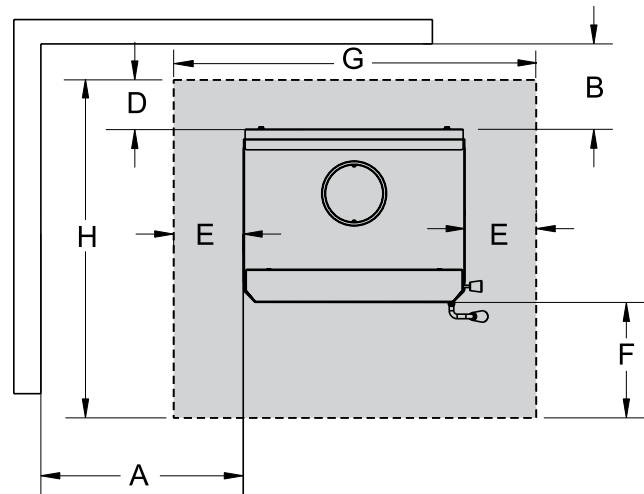
DIMENSIONS



CLEARANCES

Minimum Clearance to Combustible Materials

	DEFAULT OR FLOMET SUPER SINGLE ^{*(1)}
A	650mm
B	225mm
C	375mm
D	0mm
E	135mm
F	300mm
G	760mm
H	780mm



Floor Protection

A combustible floor must be protected by non-combustible material (like tile, concrete board, or as defined by local codes) extending beneath the heater as follows;

- From Side Top Plate Edge: 135 mm
- From Front: 300 mm (In front of door opening)
- From Back: 0 mm

The floor protector should consist of 6mm thick compressed board sheet which has a thermal conductivity of 0.08m².K/W.

Tested with Flomet super single on a default kit incorporating 1 x 900mm. 180° solid backed decromesh casing.
Rear clearance 'B' can be reduced to 125mm by the addition of a 1 x 900mm x 180° stainless shield fitted and spaced between the active flue and the decromesh.

The flue pipe shall extend not less than 4.6m above the top of the floor protector.

NOTE: Installation must be carried out by a licensed installer in accordance with AS/NZS 2918:2001.