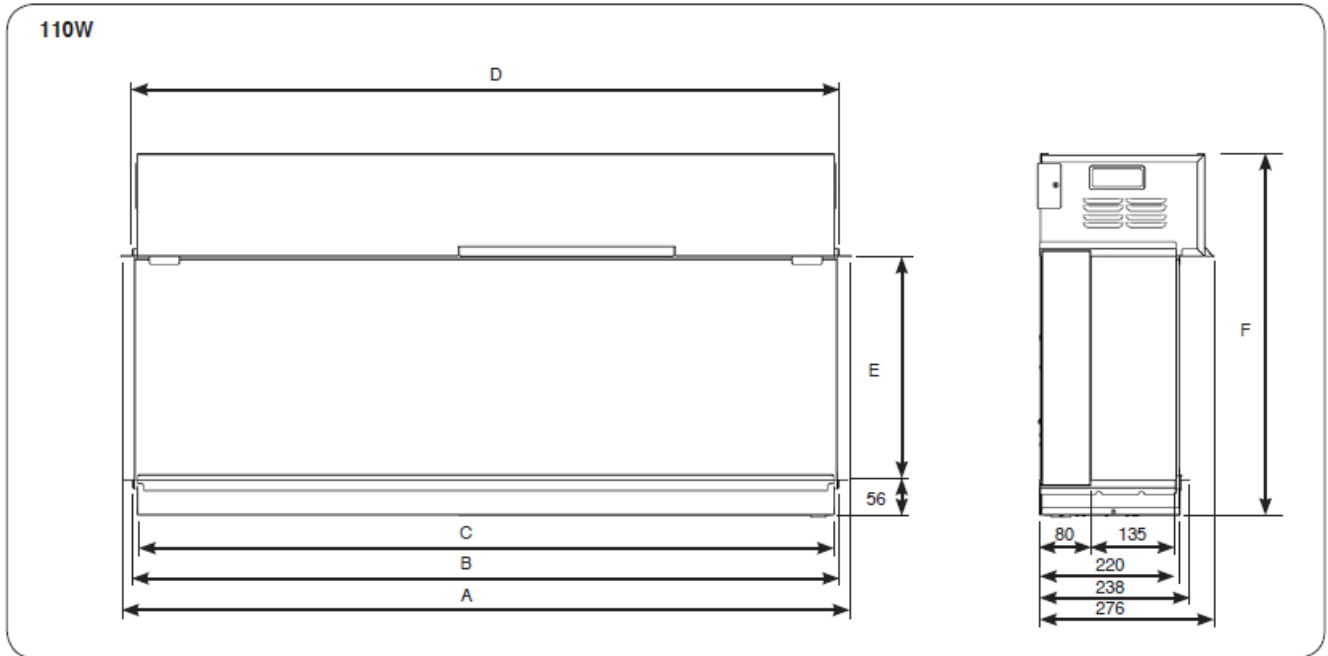
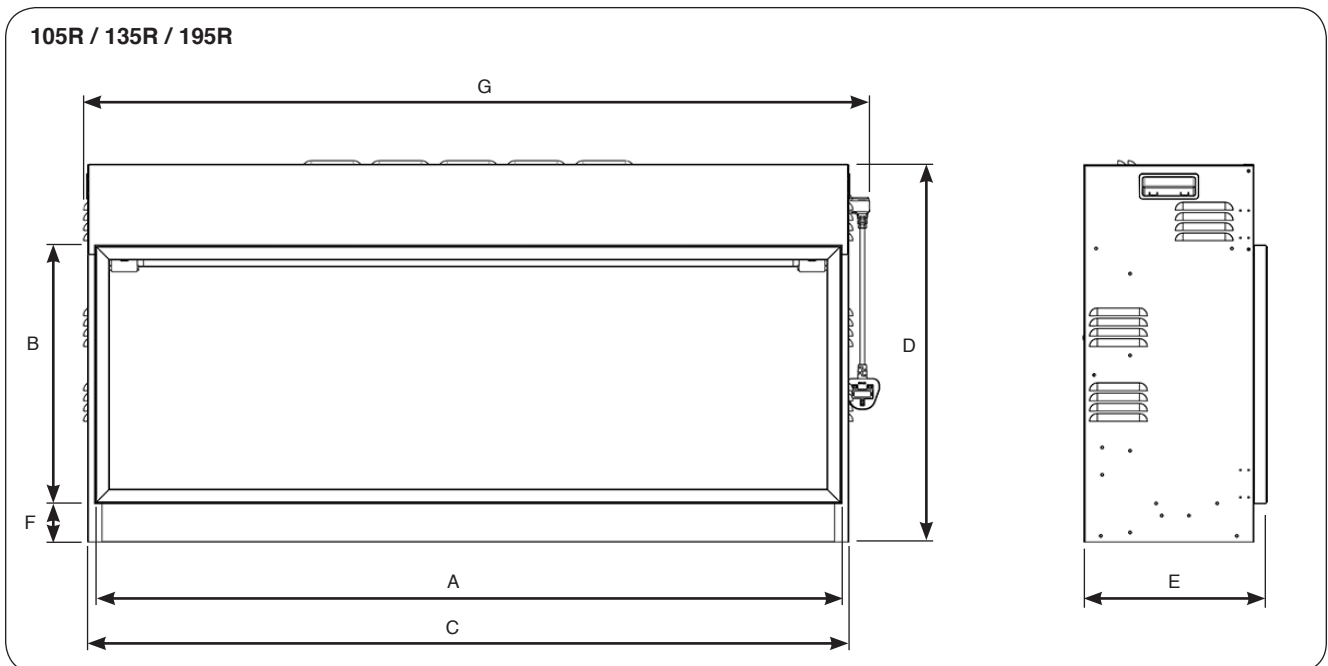


Installation Instructions

Technical Specification



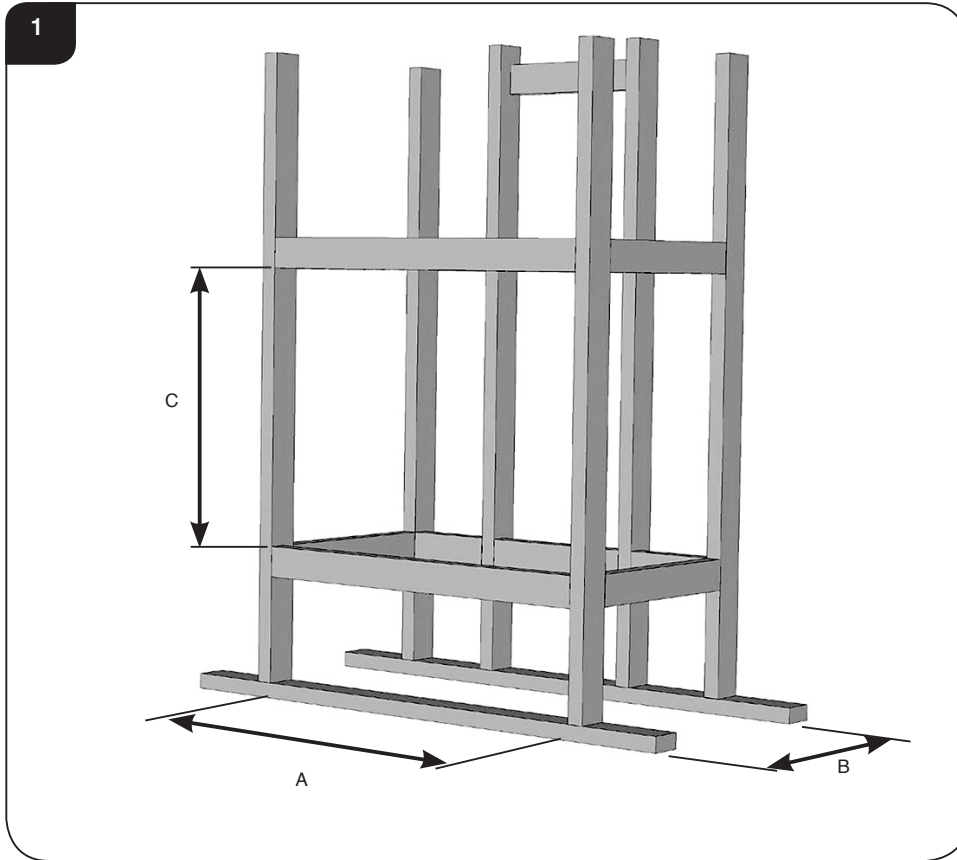
Model	A	B	C	D	E	F
eReflex 110W	1154	1110	1100	1116	352	569



Model	A	B	C	D	E	F	G
eReflex Inset 105R	1100	380	1120	560	270	57	1157
eReflex Inset 135R	1400	380	1420	560	270	57	1457
eReflex Inset 195R	2000	380	2020	560	270	57	2057

Installation Instructions

Studwork Installation



Model	Frame Minimum Width A (mm)	Frame Minimum Depth B (mm)	Frame Minimum Opening Height C (mm)
eReflex 105R	1165	295	565
eReflex 135R	1465	295	565
eReflex 195R	2065	295	565