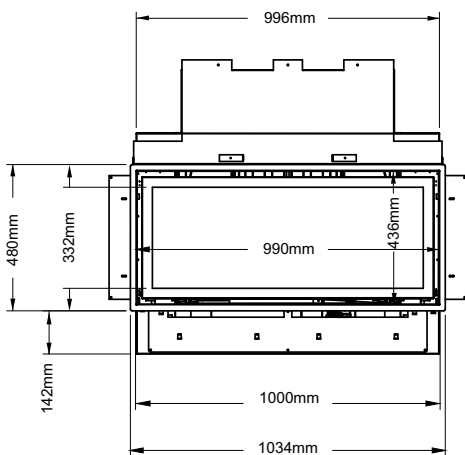
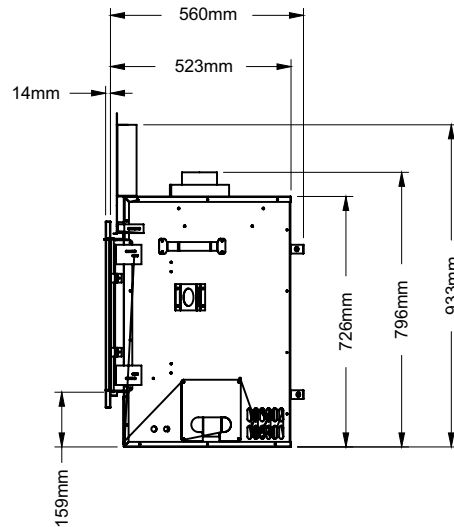
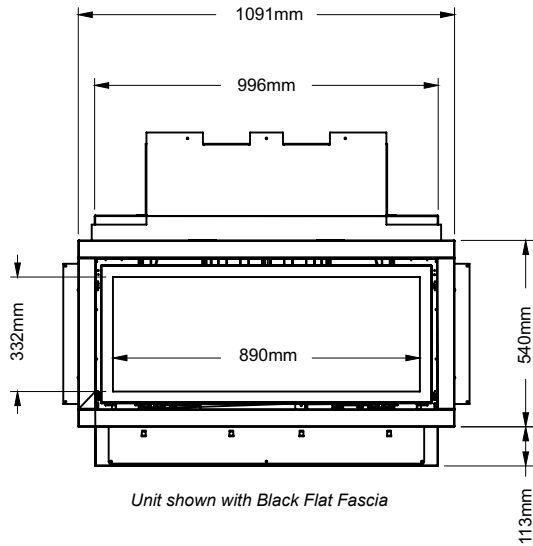
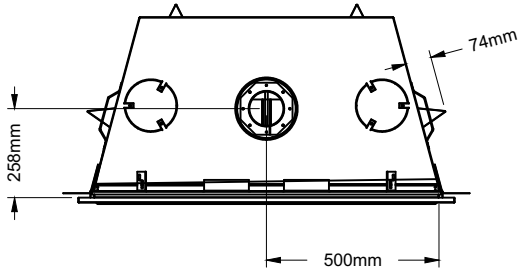
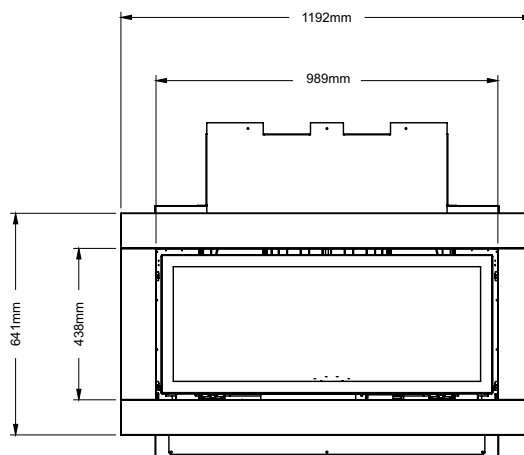


## GF950L Gas Fireplace

Model	GF950L-NG	GF950L-LPG	GF950L-ULPG
Fuel Type	Natural Gas	Propane	Propane
Gas Consumption	35 mj.	28 mj.	28 mj.
Manifold Pressure	0.87 kPa	2.49 kPa	2.49 kPa
Injector Size	#35	#53	#53



*Unit with Finishing Trim - Flush Finish*

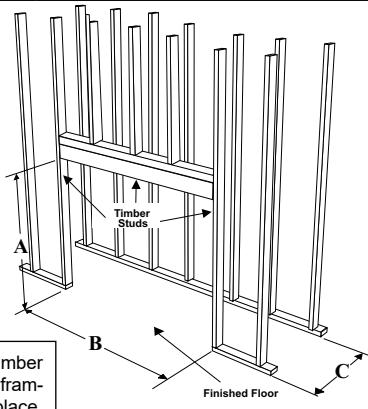


*Black Premium Glass Fascia*

**FRAMING DIMENSIONS**

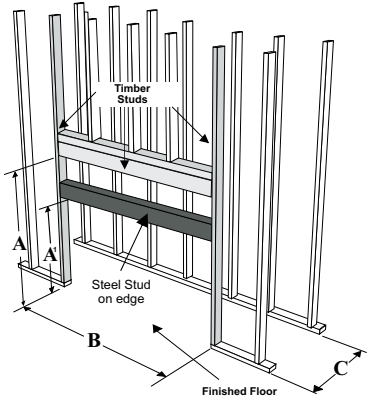
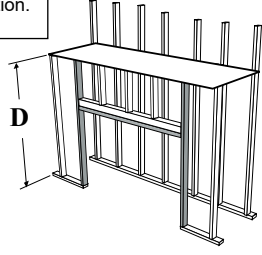
Framing Dimensions	Description	GF950
A	Framing Height	940mm combustable finish
A <sup>1</sup>	Framing Height -Steel Stud	756mm non combustable steel stud
B	Framing Width	1127mm
C	Framing Depth	552mm
D	Minimum Height to Combustibles	1156mm
E	Corner Wall Depth	1273mm
F	Corner Facing Wall Width	1800mm
G	Vent Centerline Height	991mm
H*	Non-combustible facing height	*see non-combustible facing height in this manual
I	Gas Connection Opening Height	38mm
J	Gas Connection Height	67mm
K	Gas Connection Inset	44mm
L	Gas Connection Opening Width	89mm

**NOTE:** A minimum thickness of 12mm non-combustible facing board compliant with AS1530-1 and AS1530-3 is required when using the non combustable flush finishing option.  
 A minimum thickness of 10mm-19mm combustable facing board is required when choosing the combustable flush finishing option.  
 Note: must maintain 13mm air gap all around the perimeter of the appliance when choosing this option.

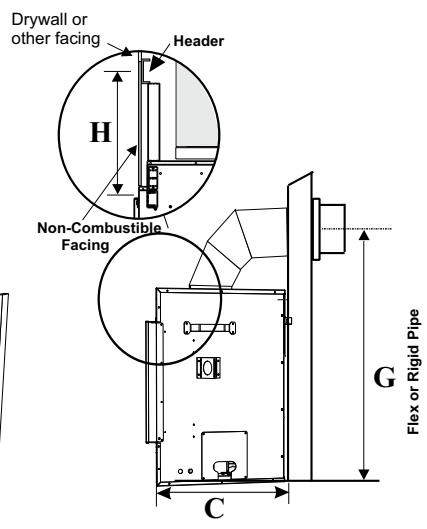


Combustable flush finishing Framing

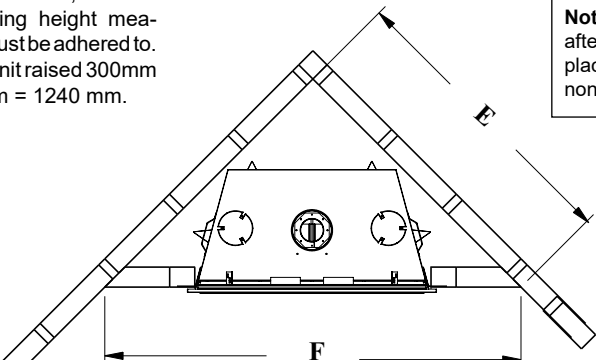
**NOTE:** Do not place timber studs below the timber framing studs already in place. Additional steel studs must be added as shown when choosing the non combustable flush finishing option.



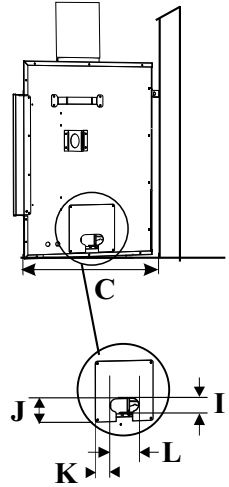
Non-combustible Flush Finishing Framing



**Note:** If raising the unit, then the minimum framing height measurement (A) must be adhered to. For example: Unit raised 300mm then A+ 300mm = 1240 mm.



**Note:** Steel stud must be installed after unit has been positioned in place and prior to installation of non-combustible finishing



## CLEARANCES

The clearances listed below are Minimum distances unless otherwise stated:

A major cause of chimney related fires is failure to maintain required clearances (air space) to combustible materials. It is of the greatest importance that this fireplace and vent system be installed only in accordance with these instructions.

### Caution Requirements

The top, back and sides of the fireplace are defined by standoffs. The metal ends of the standoff may **NOT** be recessed into combustible construction.

### WARNING

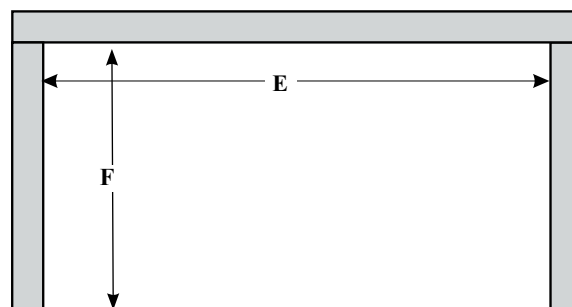
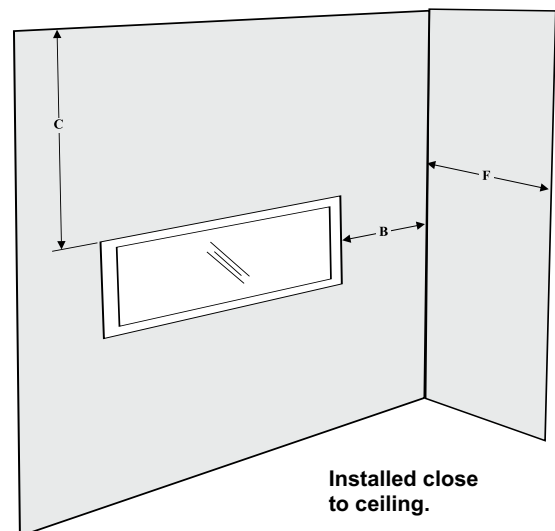
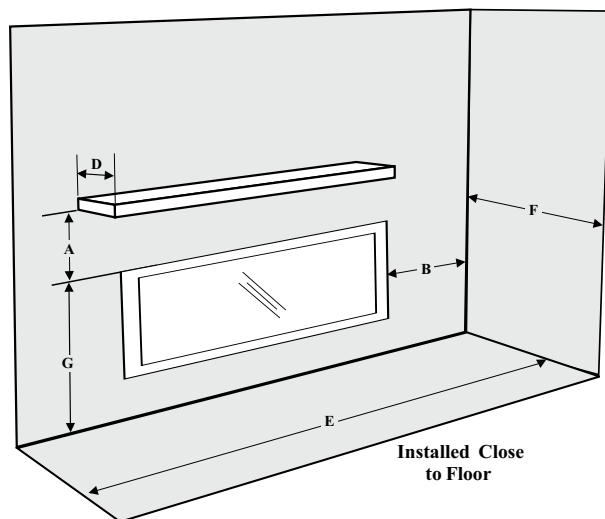
**Fire hazard is an extreme risk** if these clearances (air space) to combustible materials are not adhered to. It is of greatest importance that this fireplace and vent system be installed only in accordance with these instructions.

Clearance:	Dimension	Measured From:
<b>A: Mantel Height (min.)</b>	191mm	Top of Fireplace Opening (Hot Air Outlet)
<b>B: Sidewall (on one side)</b>	146mm	Side of Fireplace Opening
<b>C: Ceiling (room and/or alcove)</b>	1003mm	Top of Fireplace Opening
<b>D: Mantel Depth (max.)</b>	305mm	420mm Above Fireplace Opening
<b>E: Alcove Width</b>	1480mm	Sidewall to Sidewall (Minimum)
<b>F: Alcove Depth</b>	787mm	Front to Back Wall (Maximum)
<b>G: From Floor</b>	605mm	Top of Fireplace Opening (Hot Air Outlet)
<b>Note:</b>	0	No hearth required

Flue Clearances to Combustibles	
Horizontal - Top	76mm
Horizontal - Side	51mm
Horizontal - Bottom	51mm
Vertical	51mm

**IMPORTANT:** If installing a television above this appliance, the television must be either fully recessed into the wall above the fireplace and or have a mantle below the television. If the television is left unprotected, the extreme heat being emitted from this appliance will result in damage to the television. See clearance requirements for both mantle and or enclosing the top of the appliance in this manual.

**NOTE:** The unit can be installed onto a combustible base.



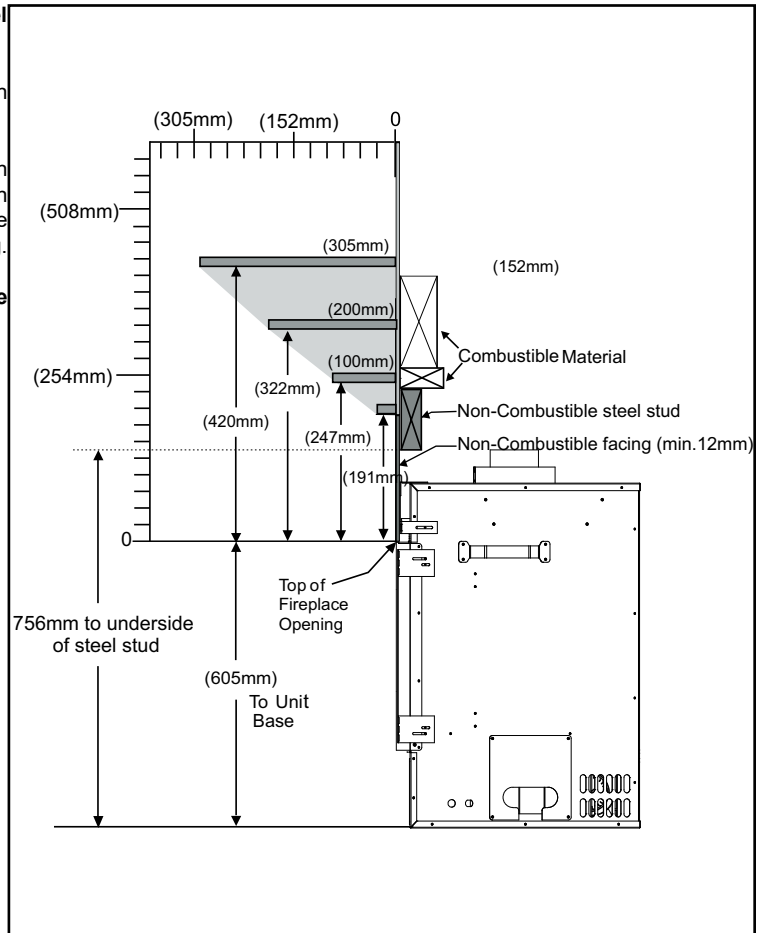
### CLEARANCES FOR NON-COMBUSTIBLE FLUSHED FINISHING WITH MANTEL

Due to the extreme heat this fireplace emits, the mantel clearances are critical.

Combustible mantel clearances from top of front facing are shown in the diagram on the right.

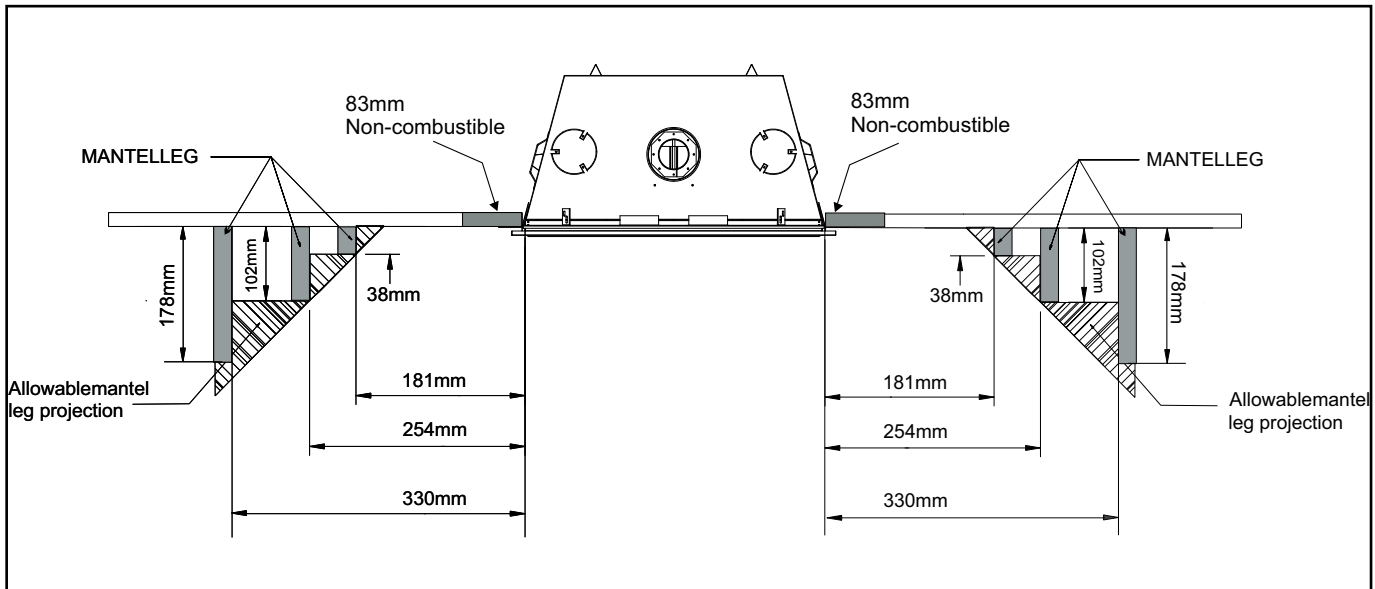
**Note:** For a flushed finish using non-combustible finishing, seven 13mm stand-off tabs around the fireplace opening must be broken off. The top nailing flange cannot be used and a non-combustible steel stud must be installed to support the non-combustible facing.

**Note:** Ensure the paint that is used on the mantel and the facing is "high quality" or the paint may discolour.



### NON COMBUSTIBLE MANTEL LEG CLEARANCES

Mantel leg & Non-combustible finishing clearances as per diagram: (Flushed Finish)



## FLUEING INTRODUCTION

The GF950L uses the "balanced flue" technology Co-Axial system. The inner liner vents products of combustion to the outside while the outer liner draws outside combustion air into the combustion chamber thereby eliminating the need to use heated room air for combustion and losing warm room air up the chimney.

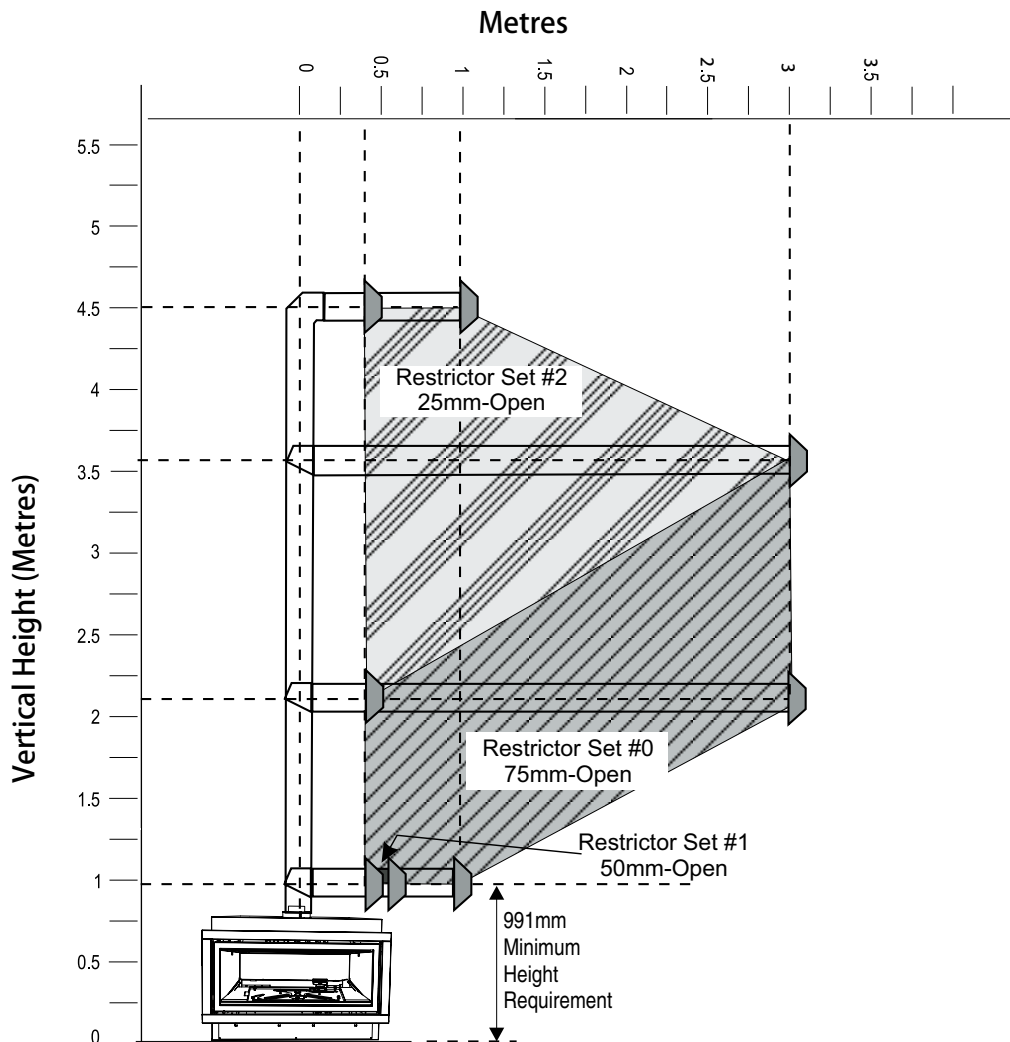
**Note: These flue pipes must not be connected to any other appliance.**

The gas appliance and flue system must be vented directly to the outside of the building, and never be attached to a chimney serving a separate solid fuel or gas burning appliance. Each direct vent gas appliance must use its own separate flue system. Common flue systems are prohibited.

## FLUEING ARRANGEMENT FOR HORIZONTAL TERMINATIONS

The diagram shows all allowable combinations of vertical runs with horizontal terminations, using one 90° (two 45° elbows equal one 90° elbow).

**Note: Must use optional rigid pipe adapter (Part# 510-994) when using Simpson Dura Vent Only.**



### FLUE RESTRICTOR SETTING:

**Flue restrictor factory set at Set 0.**

Refer to the "Flue Restrictor Position" section for details on how to change the vent restrictor from the factory setting of Set 0 to Set 1 if required.

- Maintain clearances to combustibles as listed in "Clearances" section
- Horizontal flue must be supported every 0.9m
- A flue guard should be used whenever the termination is lower than the specified minimum or as per local codes.
- Flex system can only be used up to 3m in total length- otherwise rigid venting must be used.

## FLUEING ARRANGEMENTS

### HORIZONTAL TERMINATION (FLEX)

#### Regency® Direct Vent System

These flueing systems, in combination with GF950L, have been tested and listed as a Direct Vent system by AGA. The location of the termination cap must conform to the requirements in the Flue Terminal Locations diagram from the "Exterior Flue Termination Locations" section.

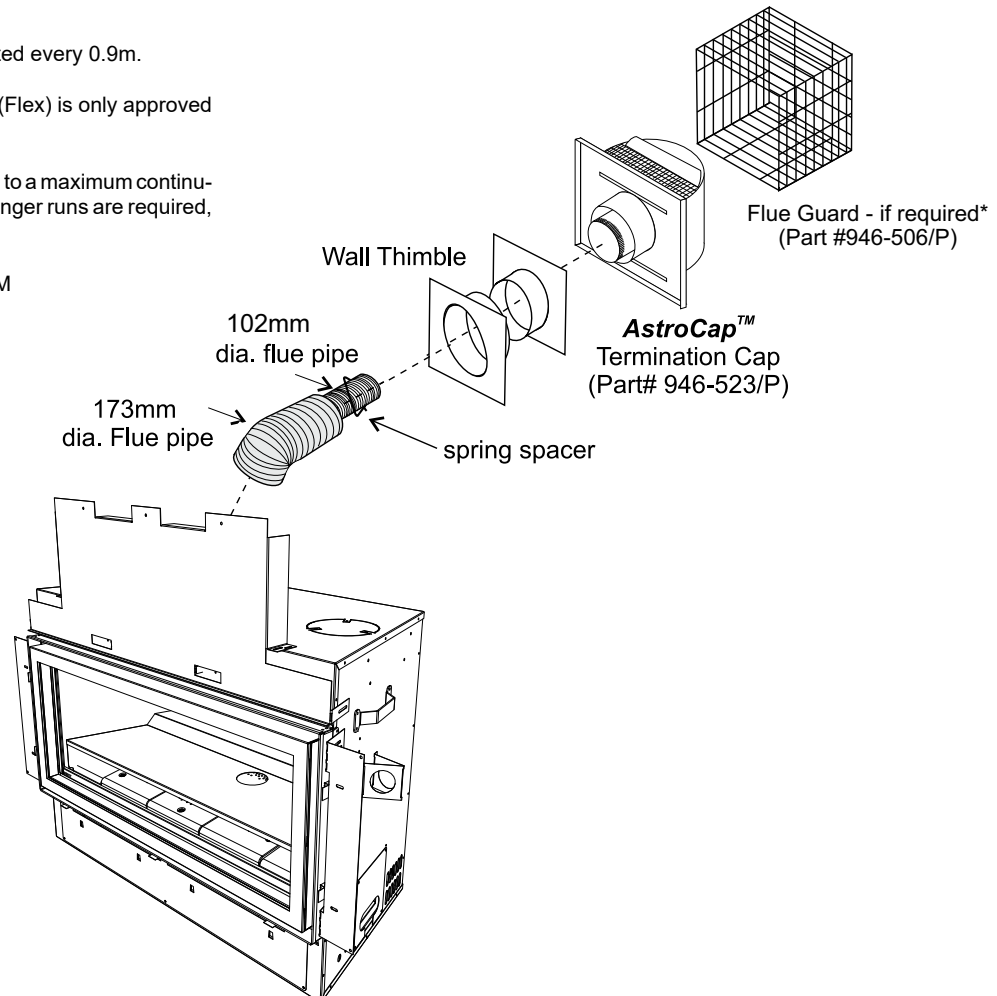
**Regency® Direct Vent (Flex) System Termination Kits** includes all the parts needed to install the GF950L using a flexible vent.

FPI Kit #	Length	Contains:
#946-515	1.2 m	1) 175mm flexible outer liner (Kit length) 2) 102mm flexible inner liner (Kit length) 3) spring spacers 4) thimble
#946-516	3 m	5) <b>AstroCap</b> termination cap 6) screws 7) tube of Mill Pac 8) plated screws 9) S.S. screws #8 x 1-1/2" drill point

#### Notes:

- Liner sections should be continuous without any joints or seams.
- Only Flex pipe purchased from Regency® may be used for Flex installations
- Horizontal flue must be supported every 0.9m.
- Regency® Direct Vent System (Flex) is only approved for horizontal terminations.
- Flex system can only be used up to a maximum continuous vent length of up to 3m. If longer runs are required, rigid pipe must be used.

**NOTE:** Maximum horizontal run: 3M



## HORIZONTAL TERMINATIONS RIGID PIPE 4" X 6-5/8" (102MM X 175MM)

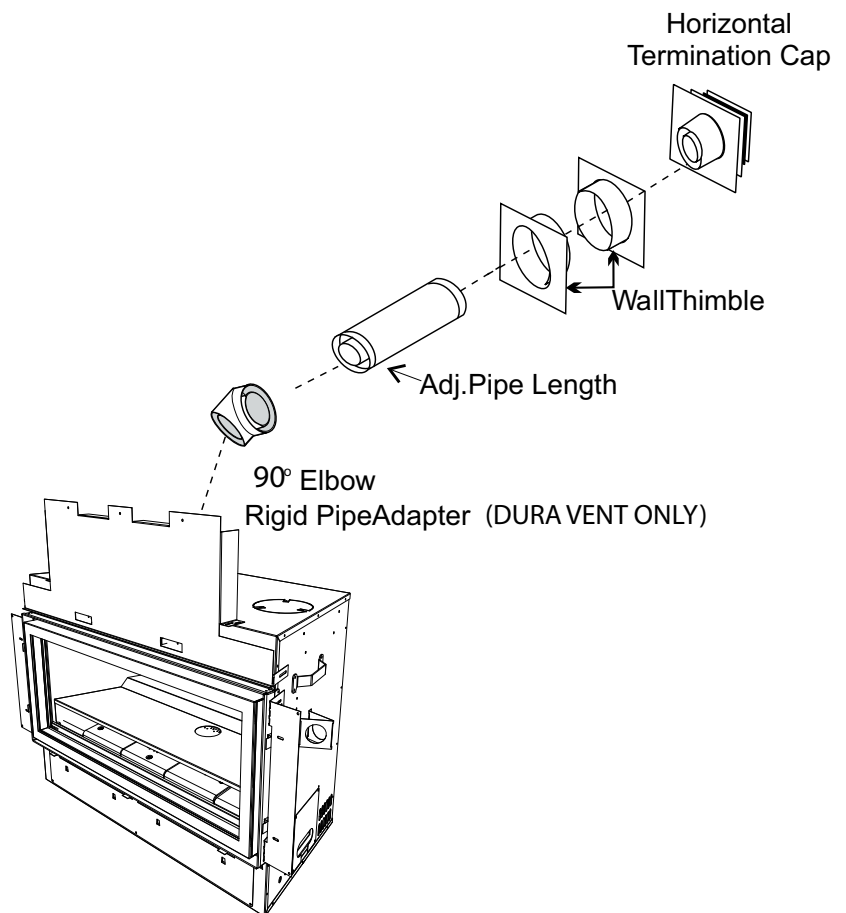
The minimum components required for a basic horizontal termination are:

- 1 Horizontal Termination Cap
- 1 90° Elbow
- 1 Rigid Pipe Adaptor (510-994)
- 1 Wall Thimble
- 1 Length of pipe to suit wall thickness (see chart)

Wall thickness is measured from the back standoffs to the inside mounting surface of termination cap. For siding other than vinyl furring strips may be used, instead of the vinyl siding standoff, to create a level surface to mount the vent terminal. The Terminal must not be recessed into siding. Measure the wall thickness including furring strips.

If a Vinyl Siding Standoff is required (it must be used with vinyl siding), measure to outside surface of wall without siding and add 51mm.

Flat Wall Installation	
Wall Thickness (mm)	Vent Length Required (mm)
102mm-140mm	152mm
178mm-216mm	229mm
254mm-292mm	305mm
229mm-368mm	279mm-371mm Adj. Pipe
381mm-597mm	432mm-610mm Adj. Pipe



### **WARNING:**

Do not combine flueing components from different flueing systems.

However use of the the AstroCap™ and FPI Riser is acceptable with all systems.

This product has been evaluated by Intertek for using a Rigid Pipe Adaptor in conjunction with Duravent Direct-Vent.

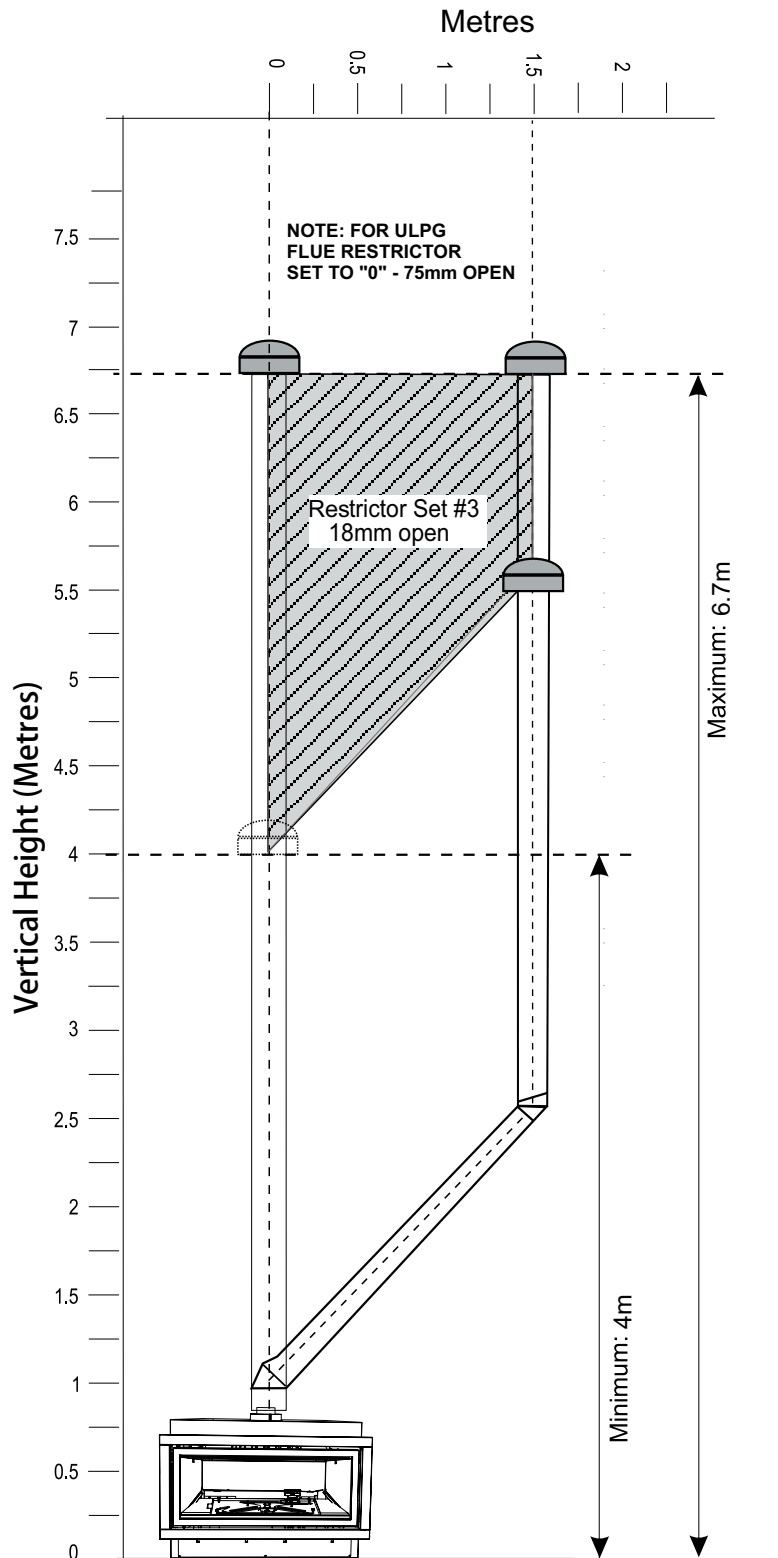
**When using Rigid Flue other than Simpson Dura-Vent, 3 screws must be used to secure rigid pipe to adaptor.**

The FPI AstroCap™ and Regency vertical cowls are certified for installations using FPI venting systems as well as Simpson Dura-Vent® Direct Vent. AstroCap™ is a proprietary trademark of FPI Fireplace Products International Ltd. Dura-Vent® and Direct Vent are registered and/or proprietary trademarks of Simpson Dura-Vent Co. Inc.

## FLUEING ARRANGEMENT FOR VERTICAL TERMINATIONS Vertical Venting with Two (2) 45° Elbows

The shaded area in the diagram shows all allowable combinations of straight vertical and offset to vertical terminations, using two 45° elbow, with Rigid Pipe Flueing Systems.

- Flue must be supported at offsets.
- Minimum distance between elbows is 305mm.
- Maintain clearances to combustibles as listed in the "Clearances" section in the manual.
- Horizontal flue must be supported every 1M.
- Refer to the "Flue Restrictor Position" section for details on how to change the flue restrictor from the factory setting of Set 0 or Set 3 if required.
- Note: For ULPG Flue Restrictor - Set to "0" - 75mm open.





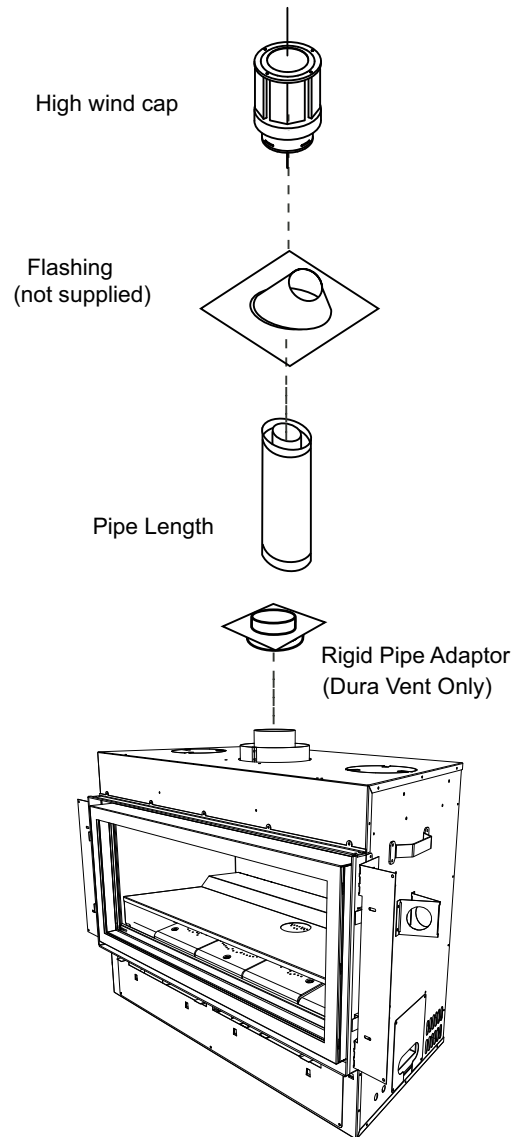
## VERTICAL TERMINATIONS RIGID PIPE 4" X 6-5/8" (102MM X 175MM)

The minimum components required for a basic vertical termination using Simpson DuraVent Rigid Flue System are:

- 1 Vertical Termination Cap
- 1 Rigid Pipe Adaptor (510-994)
- 1 Flashing
- 1 Storm Collar
- 1 Length of pipe to suit height requirement (see chart)

Galvanized pipe is desirable above the roofline due to its higher corrosion resistance. Continue to add pipe sections through the flashing until the height of the vent cap meets the minimum height requirements specified in local codes. Note that for steep roof pitches, the vertical height must be increased. A poor draft, or down drafting can result from high wind conditions near big trees or adjoining roof lines, in these cases, increasing the vent height may solve the problem.

Roof Pitch	Minimum Flue Height
	Meters
flat to 7/12	0.61
over 7/12 to 8/12	0.61
over 8/12 to 9/12	0.61
over 9/12 to 10/12	0.76
over 10/12 to 11/12	0.99
over 11/12 to 12/12	1.22
over 12/12 to 14/12	1.52
over 14/12 to 16/12	1.83
over 16/12 to 18/12	2.13
over 18/12 to 20/12	2.29
over 20/12 to 21/12	2.44



### **WARNING:**

Do not combine venting components from different flueing systems.

However use of the the AstroCap™ and FPI Riser is acceptable with all systems.

This product has been evaluated by Intertek for using a Rigid Pipe Adaptor in conjunction with DuraVent Direct-Vent. Use of these systems with the Rigid Pipe adaptor is deemed acceptable and does not affect the Intertek WHI listing of components.

**When using Rigid Flue other than Simpson Dura-Vent, 3 screws must be used to secure rigid pipe to adaptor.**

The FPI AstroCap™ and Regency vertical Cowl are certified for installations using FPI flueing systems as well as Simpson Dura-Vent® Direct Vent, is a proprietary trademark of FPI Fireplace Products International Ltd. Dura-Vent® and Direct Vent are registered and/or proprietary trademarks of Simpson Dura-Vent Co. Inc.