

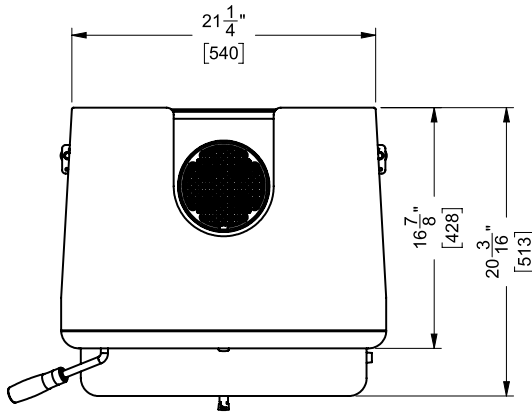
## I1500 Regency Cascades™ Wood Insert

Model	i1500
Maximum Cordwood BTU's	55,000 BTU's
EPA g/hr	1 g/hr
Efficiency (EPA HHV)*	78%
Efficiency (EPA LHV)	84%
Flue Size	6" (152mm)
US Biomass Tax Rebate Eligible	Yes

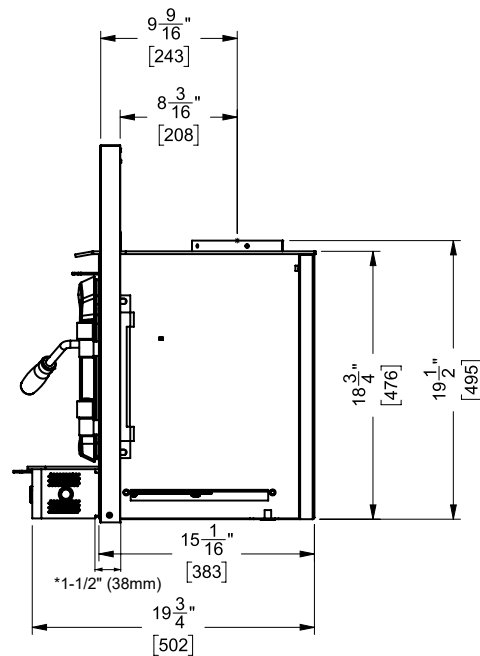
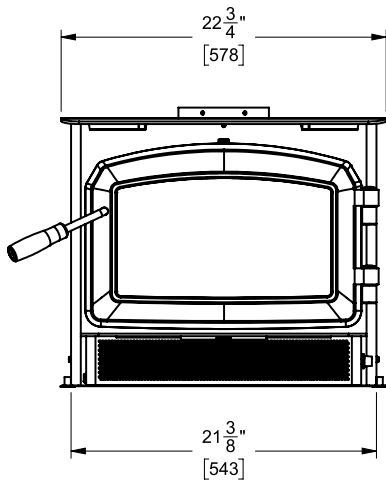
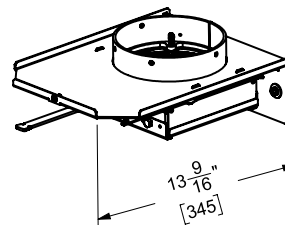
\*US Biomass Tax Rebate eligibility is based on the HHV value being greater than or equal to 75%.



### DIMENSIONS WITH STANDARD FLUE ADAPTOR



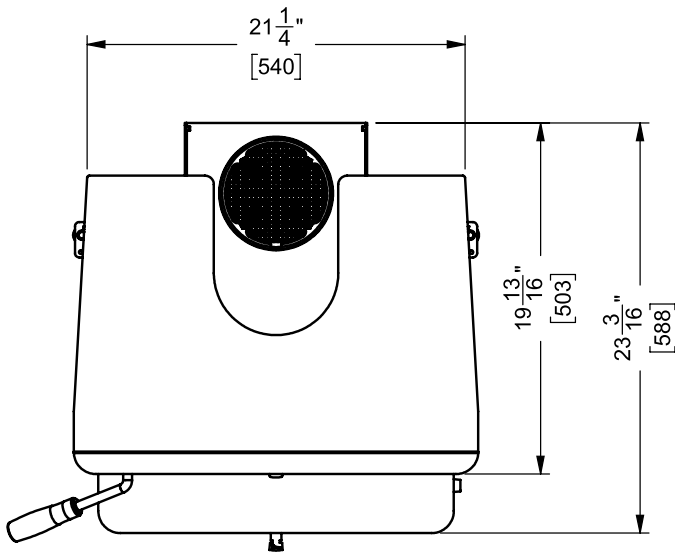
6" (152mm) Diameter  
STANDARD FLUE ADAPTOR



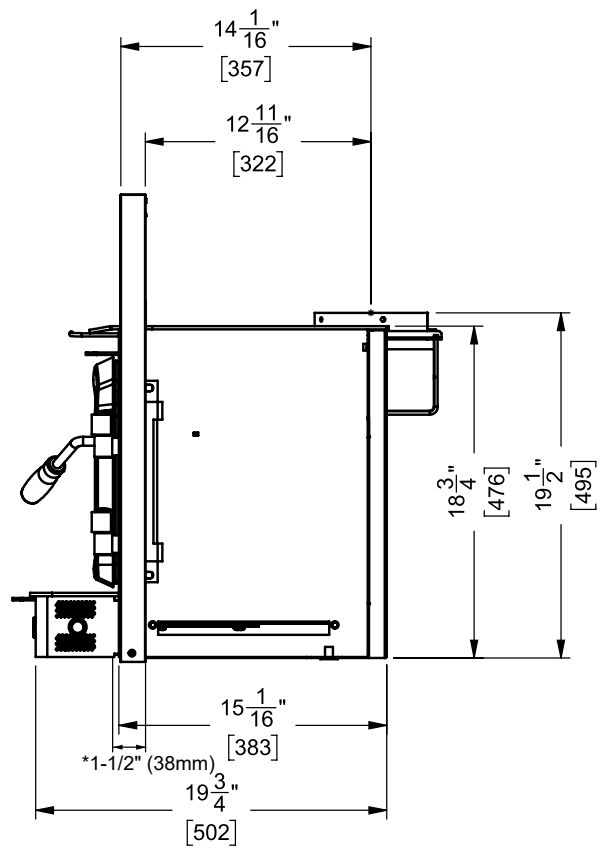
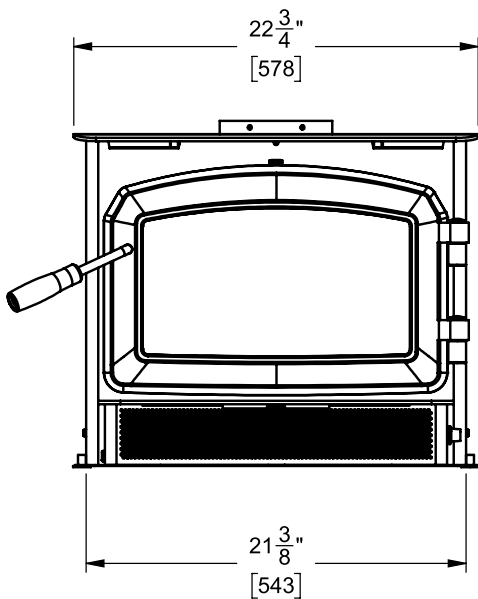
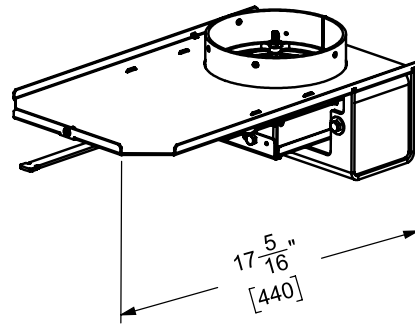
\*Measurement from back of faceplate to fuel door opening

Regency Inserts are designed to use either a 5.5" (140mm) or 6" (152mm) flue.

**DIMENSIONS WITH OFFSET FLUE ADAPTOR**



6" (152mm) Diameter  
OFFSET FLUE ADAPTOR



\*Measurement from back of faceplate to fuel door opening

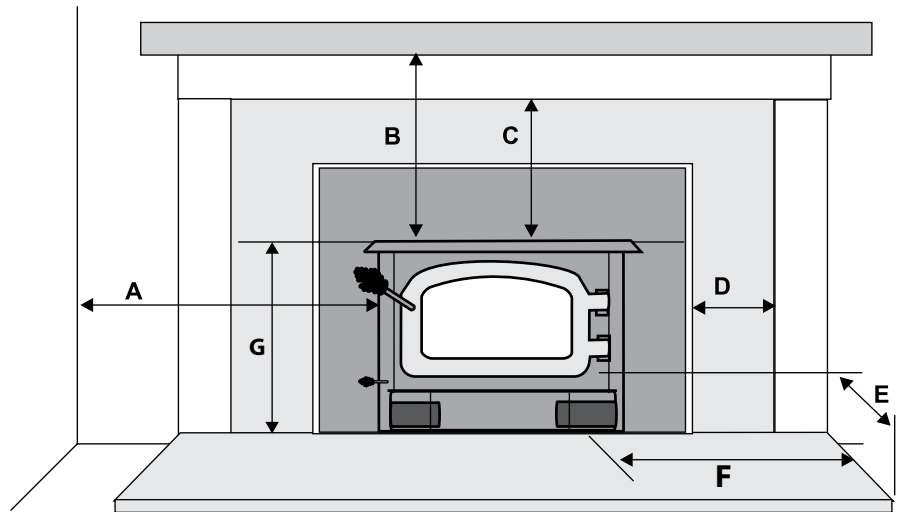
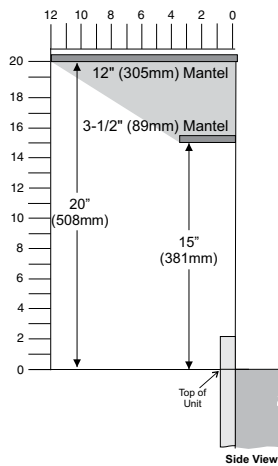
Regency Inserts are designed to use either a 5.5" (140mm) or 6" (152mm) flue.

## MASONRY AND FACTORY BUILT FIREPLACE CLEARANCES

The minimum required clearances to combustibles when installed into a masonry or factory built fireplace are listed below.

Unit	Adjacent Side Wall (to Side)	Mantel ** (to Top of Unit)	Top Facing (to Top of Unit)	Side Facing	Minimum Hearth Extension*	Minimum Hearth Side Extension*	To Top of Unit
I1500	A	B	C	D	E	F	G
	15" (381mm)	15" (381mm) for 3-1/2" (89mm) mantel	14" (355mm)	1/2"(13mm) to side surround	16" (406mm) USA 18"(457mm) Canada	8" (203mm)	18-3/4"(476mm)
		20" (508mm) for 12"(305mm) mantel					

Note: Side and Top facing is a maximum of 1.5" thick.



Clearance diagram for installations

**Clearances are critical.**

\*\*Mantel can be installed anywhere in shaded area or higher using the above scale.

### FIREPLACE SPECIFICATIONS

Your fireplace opening requires the following minimum sizes:

Height: 19" (483mm)  
 Width: 23" (584mm)  
 Depth:  
 (w/ standard flue adaptor) 13-3/4" (349mm)  
 (w/ offset flue adaptor) 16-1/2" (419mm)

Two faceplates are available to seal the fireplace opening:

Standard 38" (965mm)W x 26-3/8" (670 mm) H  
 Oversize 44" (1118mm) W x 30-3/8" (771mm) H

### \*Floor Protection

Thermal insulation/protection with a R value of 1.4 at a distance of 18" from door opening is required for Canada and 16" for USA.  
 If unit raised minimum 4.5" from hearth, no thermal protection is required.  
 Please check to ensure that your floor protection and hearth will meet the standards for clearance to combustibles. Your hearth extension must be made from a non-combustible material. Extending 16" for US and 18" for Canada—measured from the fuel loading door.