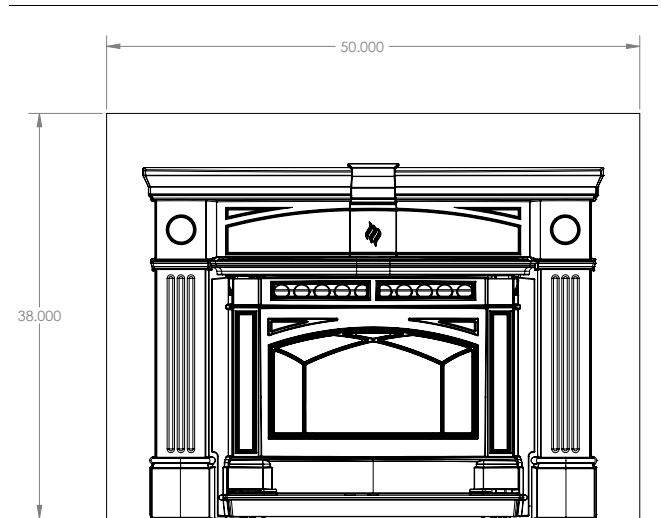
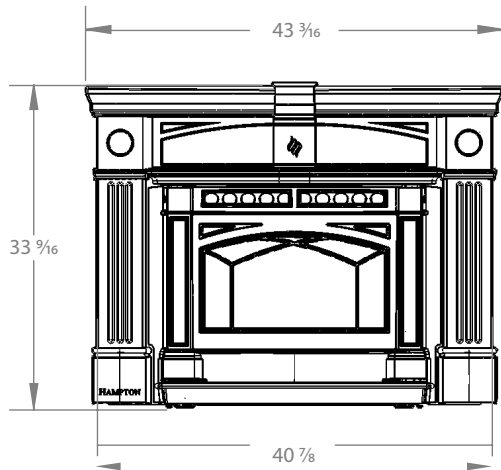
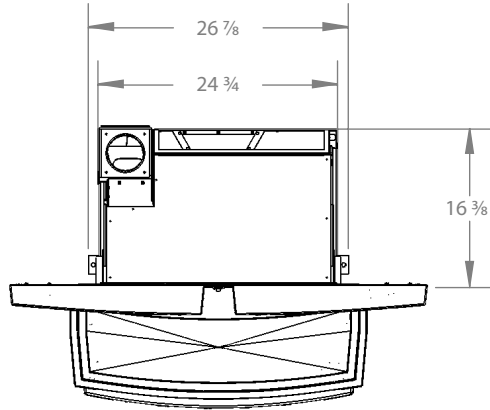


**GCI60 Hampton Cast Iron Pellet Insert**



*Filler panels dimensions*

