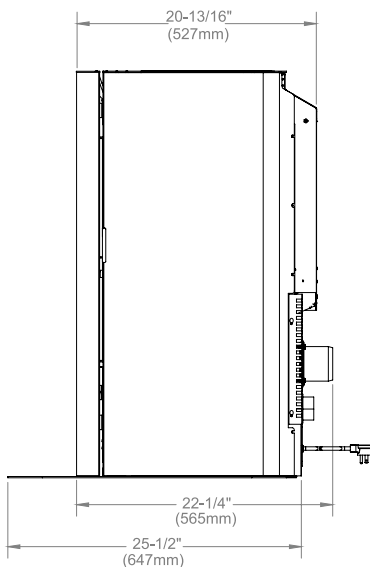
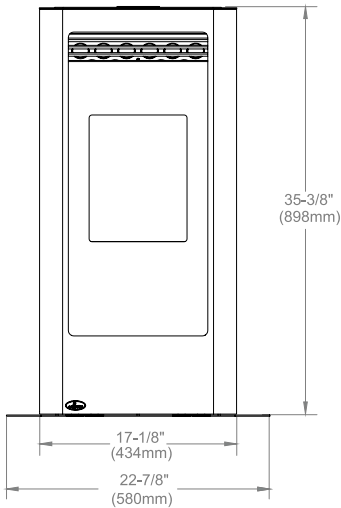
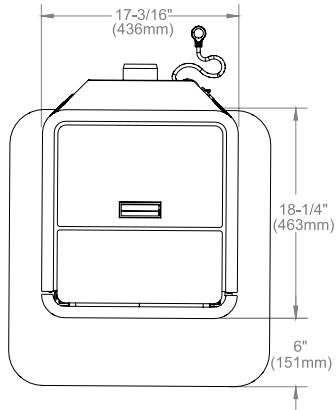


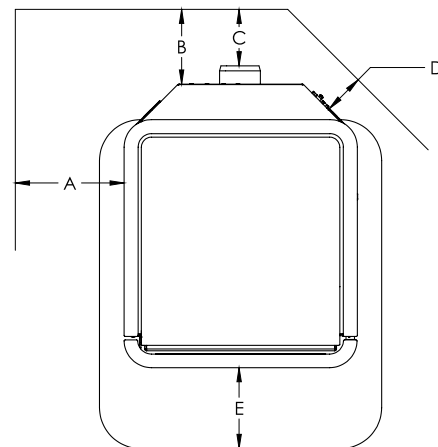
GF40 Greenfire Pellet Stove



CLEARANCES TO COMBUSTIBLES

These dimensions are minimum clearances but it is recommended that you ensure sufficient room for servicing, routine cleaning and maintenance.

- | | |
|-----------------------------------|---------------------|
| A. Side wall to unit | 8 inches (200 mm) |
| B. Back wall to unit | 5.5 inches (140 mm) |
| C. Back wall to Chimney Connector | 4 inches (100 mm) |
| D. Corner to unit | 3 inches (75 mm) |
| E. Glass to Hearth Pad | 6 inches (150 mm) |

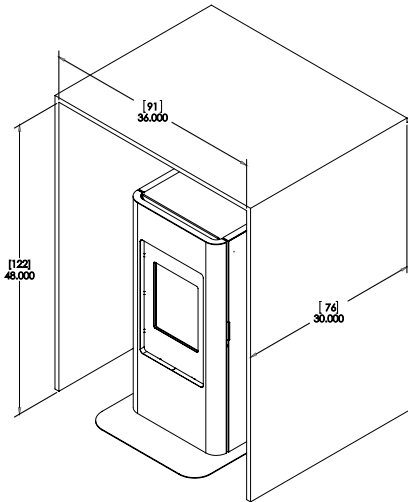


GF40 Wood Pellet Stove

ALCOVE CLEARANCES

The unit may be installed in an alcove if desired. These minimum clearances to combustibles must be maintained at all times. Be sure to leave room for servicing, routine cleaning, and maintenance. These are inside dimensions.

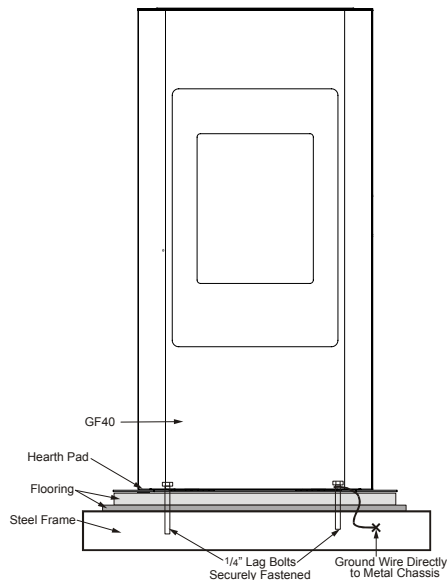
Minimum Alcove Width	36 inches (915 mm)
Minimum Alcove Height	48 inches (1220 mm)
Minimum Alcove Depth	30 inches (762 mm)



MOBILE HOME INSTALLATION

- Secure the heater to the floor using the two holes in the base.
- Ensure the unit is electrically grounded to the chassis of your home (permanently).
- Do not install in a room people sleep in.
- Outside fresh air is mandatory. Secure outside air connections directly to fresh air intake pipe and secure with three screws evenly spaced.

CAUTION: THE STRUCTURAL INTEGRITY OF THE MANUFACTURED HOME FLOOR, WALL AND CEILING/ROOF MUST BE MAINTAINED.



EXHAUST AND FRESH AIR INTAKE LOCATION

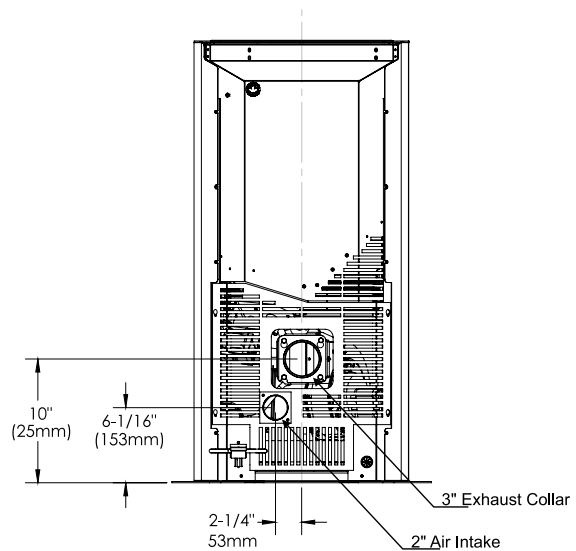
EXHAUST

Base of unit to center of flue	10 in (251 mm)
Center of unit to center of flue [at center of unit]	0 in (0 mm)

FRESH AIR INTAKE

Base of unit to center of intake	6 in (153 mm)
Center of unit to center of intake	2-1/4 in (53 mm)

IMPORTANT: When attaching the exhaust venting system to the unit or when joining vent sections three screw must be used at each joint. If vented horizontally, joints shall be made gas tight with aluminum foil duct tape. Heights may change if leveling legs are adjusted.



OUTSIDE FRESH AIR CONNECTION

Outside fresh air is mandatory when installing this unit in airtight homes (R2000) and mobile homes.

A Fresh-air intake is strongly recommended for all installations. Failure to install a fresh air intake may result in improper combustion as well as the unit smoking during power failures.

When connecting to an outside fresh air source, do not use plastic or combustible pipe. A 2" minimum (51 mm) ID (inside diameter) steel, aluminum or copper pipe should be used. It is recommended, when you are installing a fresh air system, to keep the number of bends in the pipe to a minimum.

