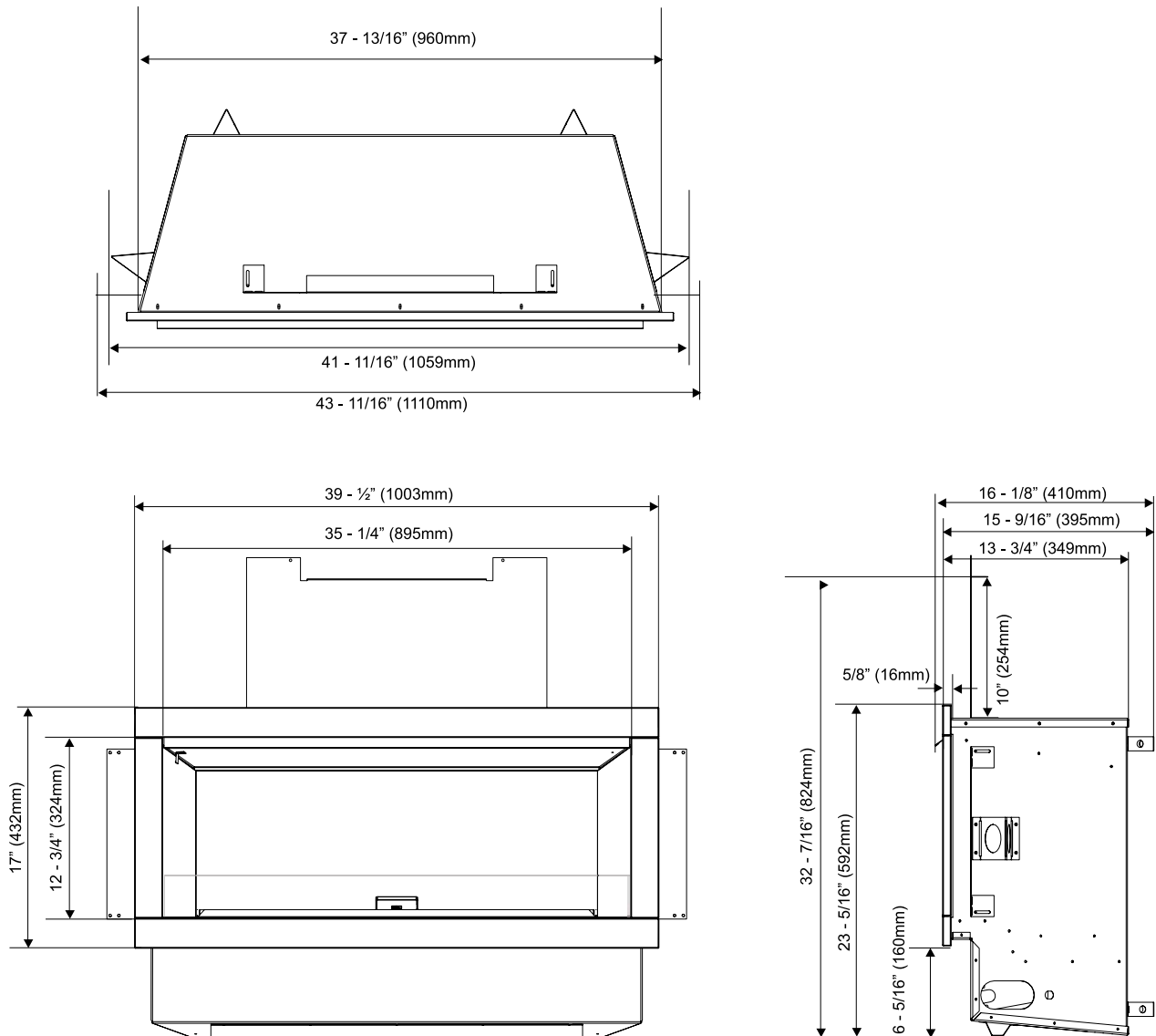


HZO42 Outdoor Fireplace

| MODEL | HZO42-NG11 | HZO42-ULPG11 |
|--|----------------------------|----------------------------|
| Fuel Type | Natural Gas | Propane |
| Minimum Supply Pressure | 5" W.C. (1.25 kPa) | 11" W.C. (2.73 kPa) |
| Manifold Pressure - High | 3.5" W.C. (0.87 kPa) | 10" W.C. (2.49 kPa) |
| Manifold Pressure - Low | 1.1" W.C. (0.27 kPa) | 2.9" W.C. (0.72 kPa) |
| Orifice Size -Altitude 0-4500 ft | # 29 DMS | # 47 DMS |
| Minimum Input Altitude 0-4500 ft. (0-1372m) | 44,500Btu/h (13.04 kW) | 43,500 Btu/h (12.74 kW) |
| Maximum Input Altitude 0-4500 ft. (0-1372m) | 44,500 Btu/h (13.04 kW) | 43,500 Btu/h (12.74 kW) |
| Vent Sizing | No Vent | No Vent |



UNIT DIMENSIONS



MINIMUM CLEARANCES TO COMBUSTIBLES

The clearances listed below are minimum distances unless otherwise stated.

A major cause of fires is failure to maintain required clearances (air space) to combustible materials. It is of the greatest importance that this fireplace be installed only in accordance with these instructions.

Caution Requirements

The top, back and sides of the fireplace are defined by standoffs. The metal ends of the standoff may **NOT** be recessed into combustible construction.

WARNING

Fire hazard is an extreme risk if these clearances (air space) to combustible materials are not adhered to. It is of greatest importance that this fireplace be installed only in accordance with these instructions.

HZO42-11 Clearance Requirements

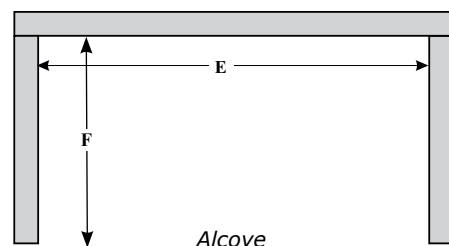
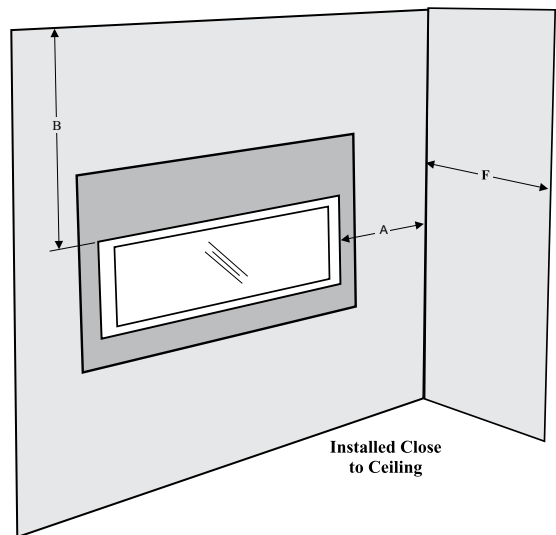
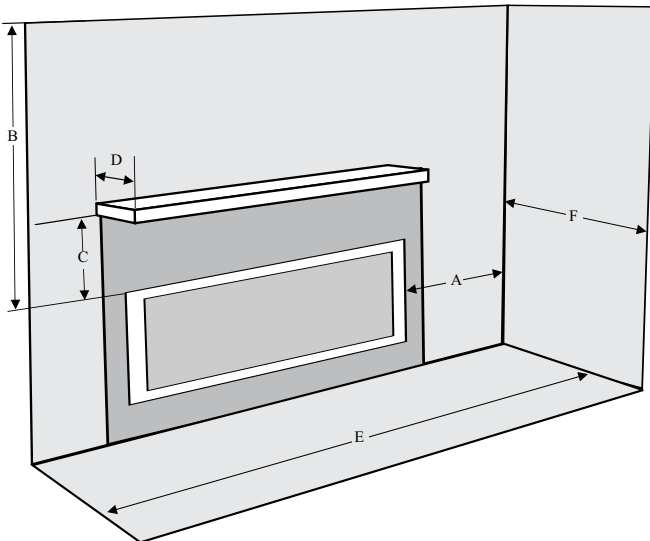
| Clearance | Dimension | Measured From: |
|--------------------------------|--------------|------------------------------|
| A: Sidewall | 11" (279mm) | Side of Fireplace Opening |
| B: Ceiling | 36" (914mm) | Top of Fireplace Opening |
| C: Mantel Height (min.) | 18" (457mm) | Top of Fireplace Opening |
| D: Mantel Depth (max.) | 12" (304mm) | From Wall |
| E: Alcove Width | 57" (1448mm) | Wall to Wall (Minimum) |
| F: Alcove Depth | 36" (914mm) | Front to Back Wall (Maximum) |
| Notes: | 0" | No Hearth Required |

Warning:

When installing this appliance; do not cover or surround with insulation.

This appliance can overheat and cause malfunction and component failure, if covered, or partially covered.

If the appliance is installed inside a chase, insulation must be installed on the walls of the chase, not on the appliance.

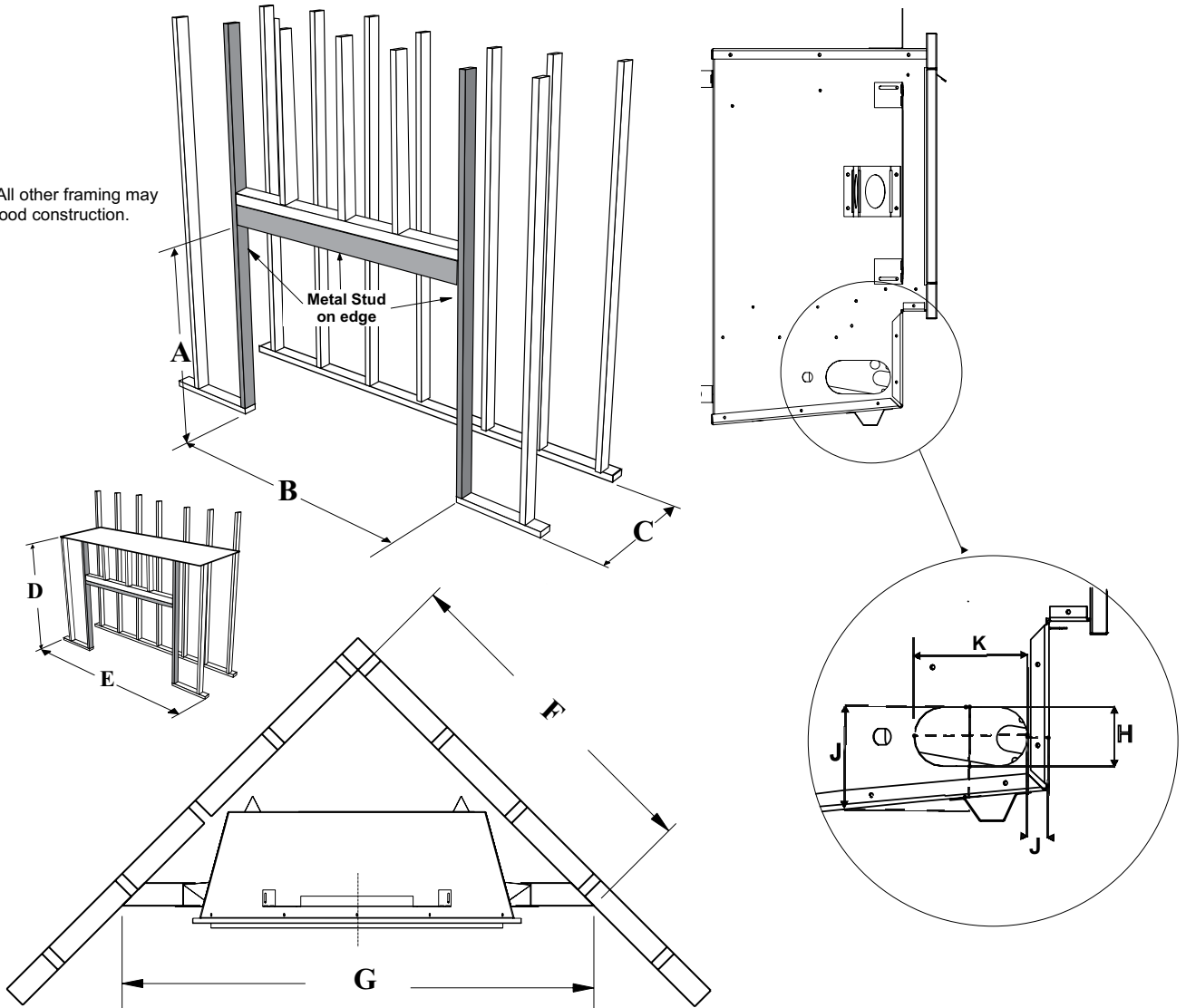


FRAMING DIMENSIONS

| Framing Dimensions | Description | HZO42-11 |
|--------------------|--------------------------------|---------------------|
| A | Header Height | 32-11/16" (30mm) |
| B | Side Stud Width | 42 - 3/16" (1072mm) |
| C | Minimum framing depth | 20" (508mm) |
| D | Minimum Height to Combustibles | 52 - 1/2" (1334mm) |
| E | Minimum framing width | 60" (1524mm) |
| F | Corner Wall Depth | 40 - 7/16" (1027mm) |
| G | Corner Facing Wall Width | 54 - 3/16" (1376mm) |
| H | Gas Connection Opening Height | 2" (51mm) |
| I | Gas Connection Height | 3-7/8 " (98mm) |
| J | Gas Connection Inset | 3/4" (73mm) |
| K | Gas Connection Opening Width | 3-7/8 " (98mm) |

* Framing depth measurement is noted with the nailing strips set as far forward on the firebox as possible. The nailing strips can be adjusted back up to 1" to allow for varying thicknesses in non-combustible material & wall finishes.

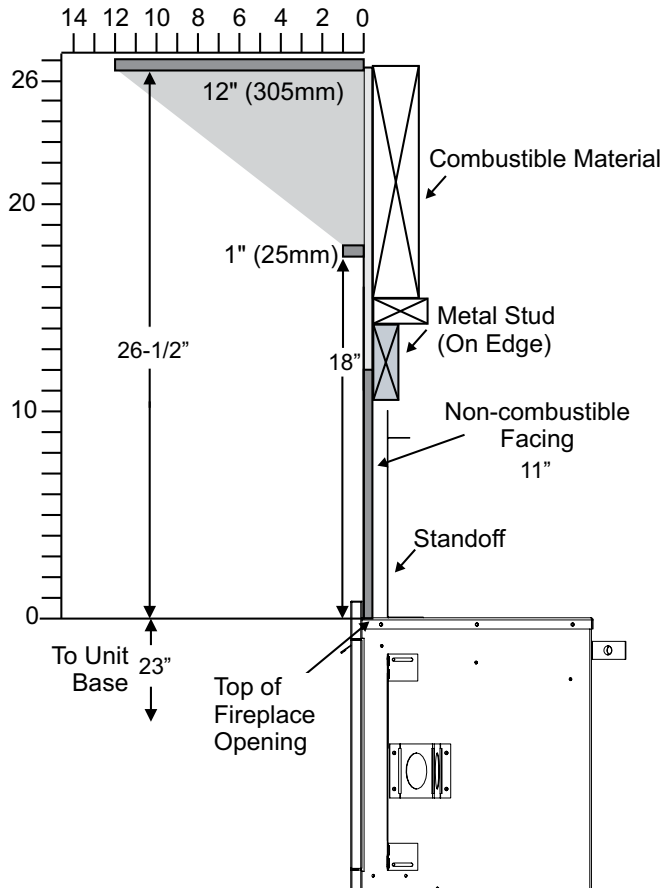
Note: All other framing may be of wood construction.



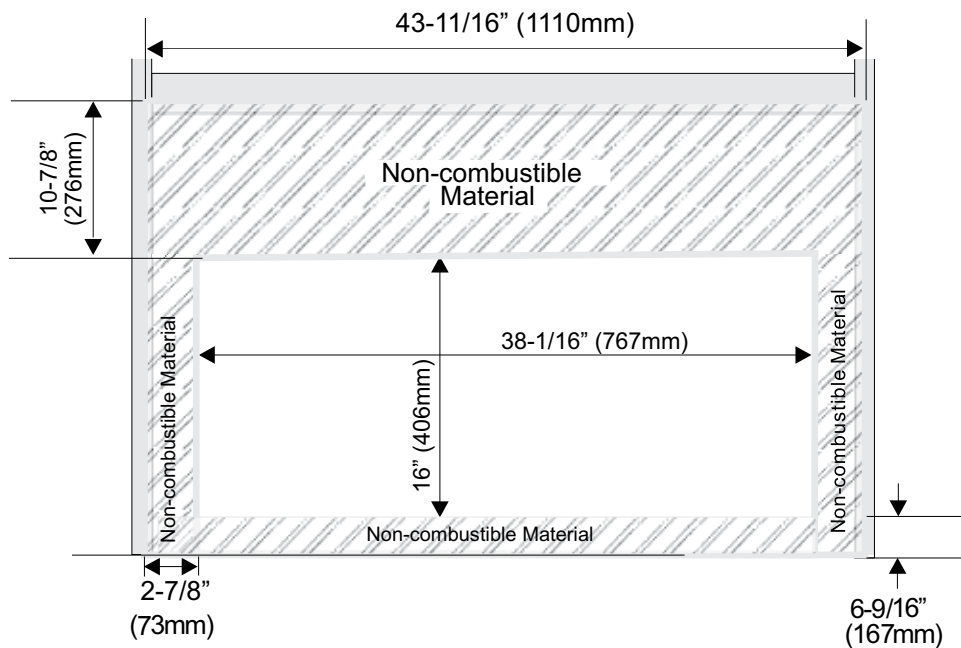
MANTEL CLEARANCES

Due to the extreme heat this fireplace emits, the mantel clearances are critical. Combustible mantel clearances from top of front facing are shown in the diagram on the right.

Note: Ensure the paint that is used on the mantel and the facing is "heat resistant" or the paint may discolour.



NON-COMBUSTIBLE REQUIREMENTS



ENCLOSURE VENT INSTALLATION

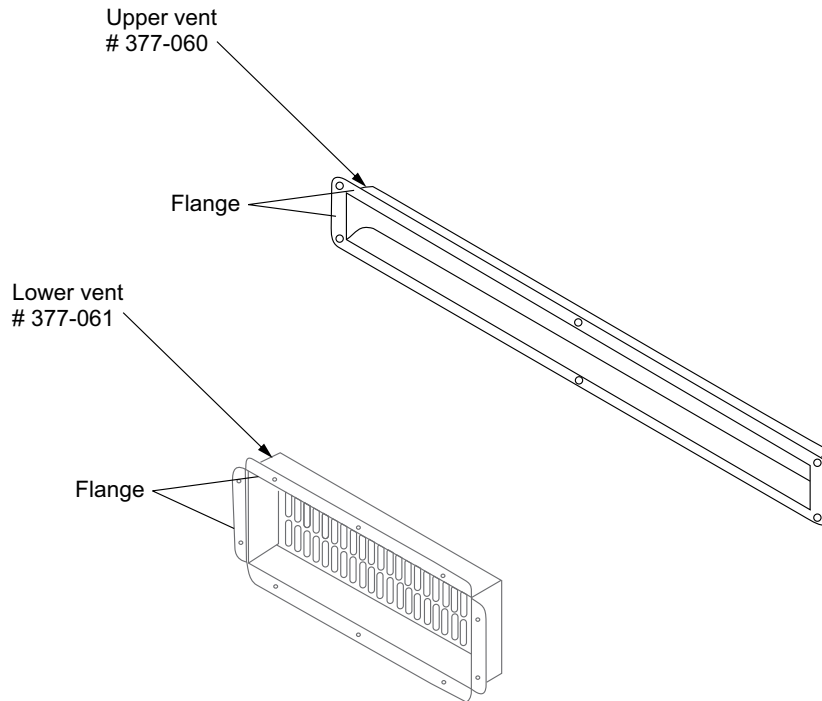
Four (4) ventilation grills are required for all enclosures. Two (2) upper and two (2) lower ventilation grills are required for all enclosures. This is to alleviate moisture and allow for air to circulate. Minimum recommended size: 20" sq. (508 mm²) ea.

If using the grills offered by Regency (supplied), follow the instructions noted below:

Frame the opening for the upper vent (377-060) at 16" x 1-1/4" - secure the upper vent to the framing with 6 screws.

Frame the opening for the lower vent (377-061) at 8" x 2-7/8" - secure the lower vent with 10 screws.

We highly recommend installing these upper and lower grills at either end of the framed structure to allow the air to circulate from one end to the other.
Note: If purchasing grills elsewhere, ensure the minimum recommended size of 20"sq. (508 mm²) each is met.



Note: Finishing material can be brought over the flange of the ventilation grills to ensure a clean look.

