

L234 Gas Insert

Model	L234-NG10	L234-LP10
Fuel Type	Natural Gas	Propane
Minimum Supply Pressure	5" W.C. (1.25 kPa)	12" W.C. (2.99 kPa)
Manifold Pressure - High	3.8" W.C. (0.95 kPa)	11" W.C. (2.74 kPa)
Manifold Pressure - Low	1.1" W.C. (0.27 kPa)	2.9" W.C. (0.72 kPa)
Orifice Size -Altitude 0-4500 ft.	#42 DMS	#54 DMS
Minimum Input Altitude 0-4500 ft. (0-1372m)	12,500 BTU/h (3.66 kW)	11,000 BTU/h (3.22 kW)
Maximum Input Altitude 0-4500 ft. (0-1372m)	23,500 BTU/h (6.89 kW)	21,500 BTU/h (6.30 kW)
Vent Sizing	3"x3" Co-linear (Standard) 2"x3" Co-linear (Optional)	3"x3" Co-linear (Standard) 2"x3" Co-linear (Optional)

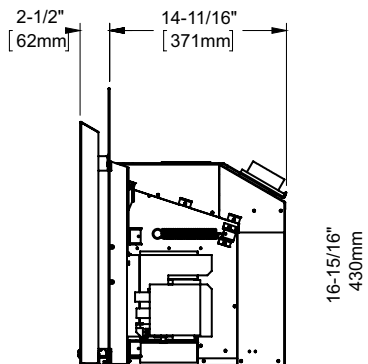
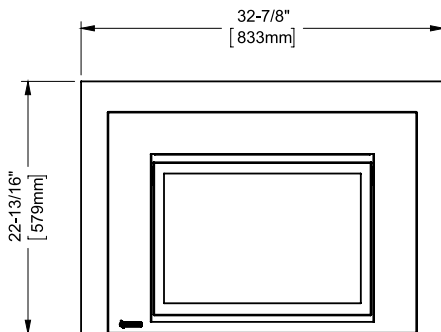
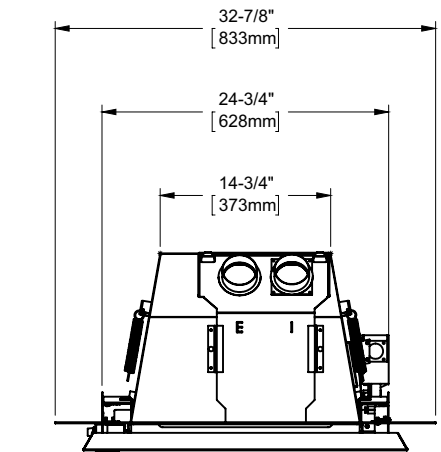
Approved Venting Systems

Flex Vent Systems: FPI AstroCap™ Flex Vent

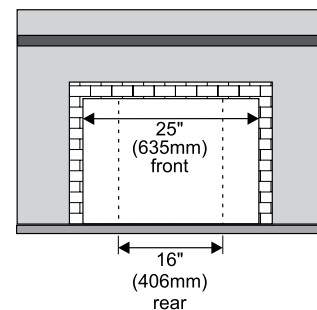
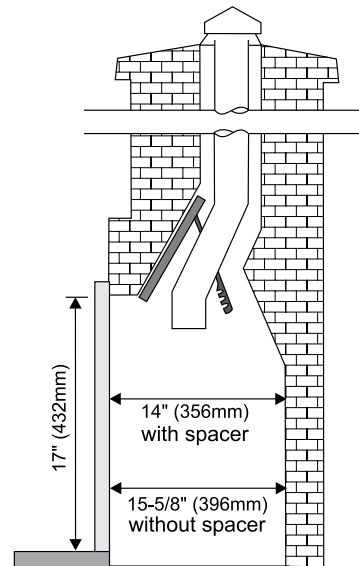


Minimum Fireplace Dimensions

The minimum fireplace dimensions for the FPI gas fireplace insert are shown in the following diagrams:



Shown with Low Profile Faceplate



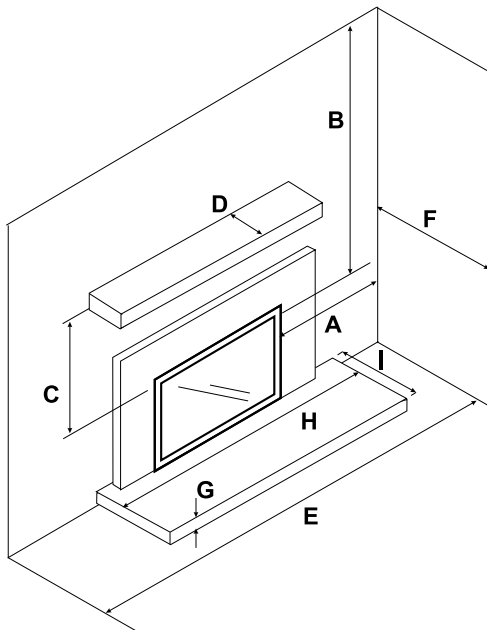
Clearances

Unless otherwise stated the clearances listed below are Minimum distances to combustible materials. **Please Note: A major cause of chimney related fires is due to a failure to maintain required clearances (air space) to combustible materials. It is of the greatest importance that this fireplace and vent system be installed only in accordance with these instructions.**

Side Walls	A	8" (203 mm)*
Ceiling	B	56" (1422 mm)
Min. Mantel Height	C	21" (533 mm) see Diagram 1
Max. Mantel Depth	D	12" (305 mm) see Diagram 1
Alcove Width	E	60" (1524 mm)
Alcove Depth	F	36" (914 mm)
**Hearth Height-	G	1-1/2" (38 mm) Minimum Non combustible
Hearth Width	H	28" (686 mm)
Hearth Depth	I	12" (305 mm)

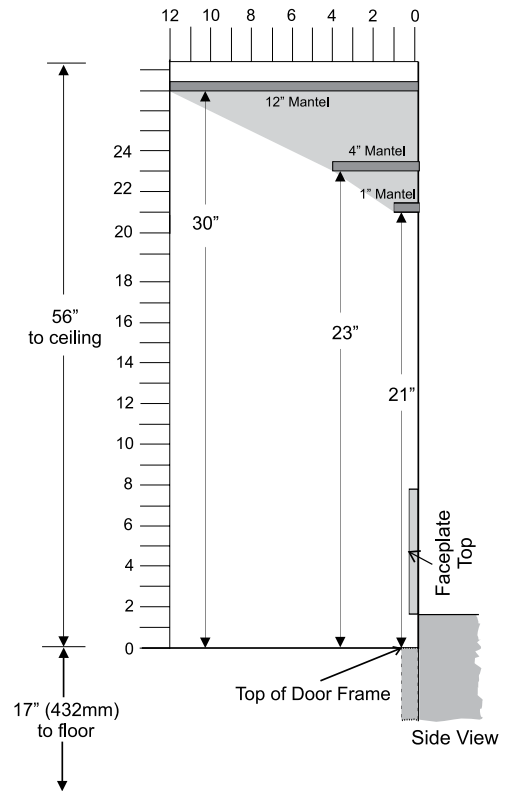
* Alcove side wall must have a minimum of 8" clearance.
 **Note: A 1-1/2" high non-combustible hearth is required if unit is not raised off the ground a minimum of 4"

Dimensions are measured from the edge of the door frame.



Combustible Mantels

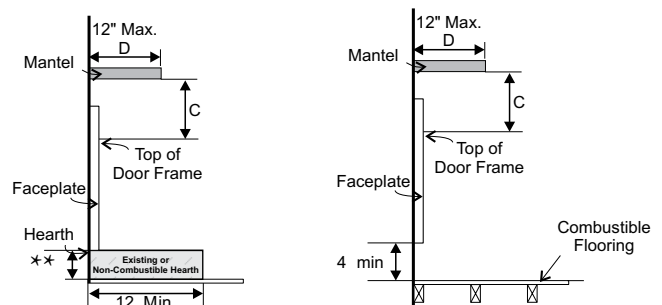
Because of the extreme heat this fireplace emits, the mantel clearances are critical. Combustible mantel clearances from top of the louvers are shown in the diagram below. Mantel may be installed anywhere in the shaded area or higher.



Flush Front Mantel Clearances

Note: A non-combustible mantel may be installed at a lower height.
Note: Ensure the paint that is used on the mantel and the facing is "heat resistant" or the paint may discolour.

Hearth Clearances Flush and Raised



No Hearth required when unit is raised 4"

L234 Gas Insert

VENTING

THE APPLIANCE MUST NOT BE CONNECTED TO A CHIMNEY FLUE SERVING A SEPARATE SOLID FUEL BURNING APPLIANCE.

This appliance is designed to be attached to two 3" (76mm) co-linear aluminium flex running the full length of the chimney. The flue length must be a minimum length of 8' (2.44m) and a maximum of 35' (10.7m). Periodically check that the vent is unrestricted.

Masonry chimneys may take various contours which the flexible liner will accommodate. However, **keep the flexible liner as straight as possible**, avoid unnecessary bending.

INSTALLATION WITH 3" & 3" LINERS

Part #	Description
948-305	3" Flex - 35 ft. (intake & exhaust)
946-529	FPI Co-linear DV Vertical Termination Cap & Flashing

Vent Run	Vent Restrictor Position	Burner Aeration Setting
8' to 20'	1"	$\frac{3}{16}$ "
20' to 35'	$\frac{3}{4}$ "	$\frac{3}{16}$ "

NOTE: See instructions in the "Vent Restrictor Position" section on positioning of the vent restrictor.

The L234 is also approved for use with a 2" liner for air intake and a 3" liner for exhaust. This would be suitable for a Class A wood burning chimney with a minimum 6" round flue.

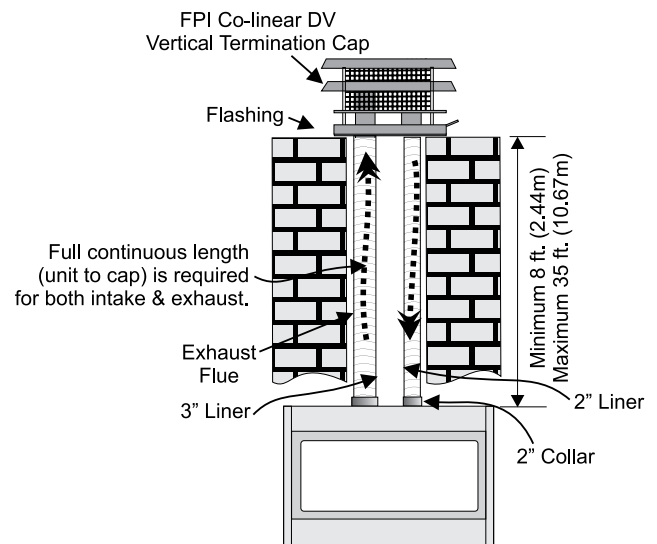
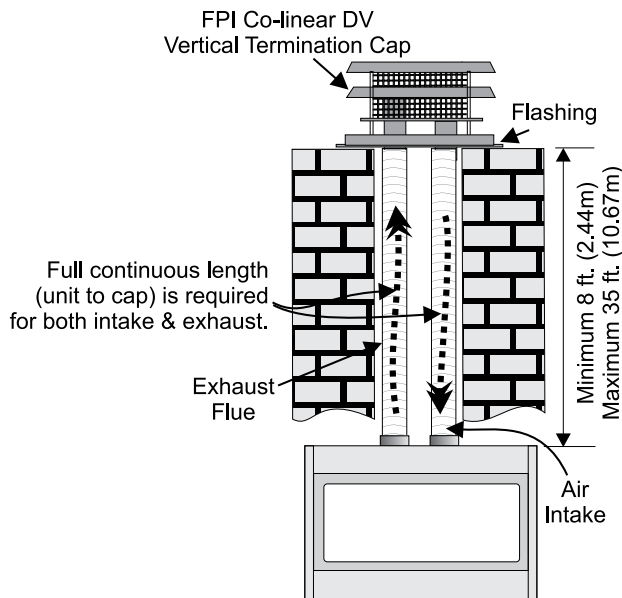
The chimney must be lined with one 2" diameter liner for intake and one 3" diameter liner for exhaust. The minimum vent length is 8' and maximum is 35'.

INSTALLATION WITH 3" & 2" LINERS

Part #	Description
948-305	3" Flex - 35 ft. (exhaust)
948-316	2" Flex - 35 ft. (intake)
946-582	FPI Co-linear DV Vertical Termination Cap, Flashing & 2" Collar

Vent Run	Vent Restrictor Position	Burner Aeration Setting
8' to 20'	1"	$\frac{3}{16}$ "
20' to 35'	1"	$\frac{1}{8}$ "

NOTE: See instructions in the "Vent Restrictor Position" section on positioning of the vent restrictor.



Alternative Approved Venting Components*

- 46DVA-VC Vertical Termination Cap
- 46DVA-VCH High Wind Cap
- 46DVA-GK 3" Co-linear Adaptor with flashing

In areas of consistently high winds, we recommend using the Simpson Dura-Vent System (adapter and high-wind cap).

The Air Intake pipe must be attached to the inlet air collar of the termination cap.

***NOTE:** Simpson Duravent can only be used with 3" and 3" liners.