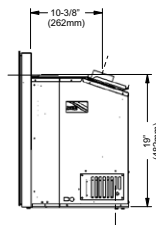
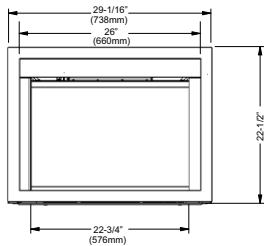
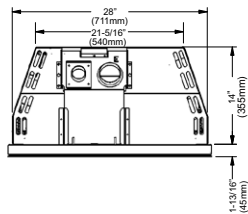


## LRI3E Gas Insert

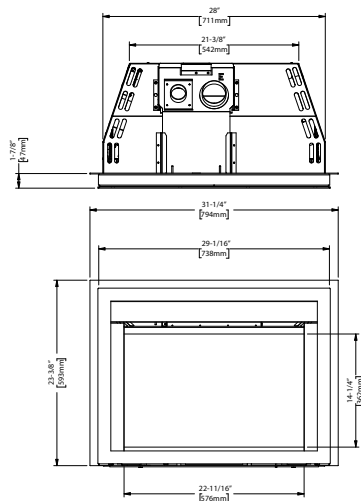
Model	LRI3E-NG	LRI3E-LP
Fuel Type	Natural Gas	Propane
Minimum Supply Pressure	5.5" W.C. (1.37 kPa)	11" W.C. (2.73 kPa)
Manifold Pressure - High	3.8" W.C. (0.95 kPa)	10.6" W.C. (2.64 kPa)
Manifold Pressure - Low	1.0" W.C. (0.25 kPa)	2.0" W.C. (0.5 kPa)
Orifice Size -Altitude 0-4500 ft.	#45 DMS	#55 DMS
Minimum Input Altitude 0-4500 ft. (0-1372m)	10,500 BTU/h (3.08 kW)	10,500 BTU/h (3.08 kW)
Maximum Input Altitude 0-4500 ft. (0-1372m)	21,000 BTU/h (6.15 kW)	21,000 BTU/h (6.15 kW)
Vent Sizing	3"x 2" Co-linear (Standard)	3"x 2" Co-linear (Standard)



### UNIT DIMENSIONS WITH VIGNETTE FACEPLATE

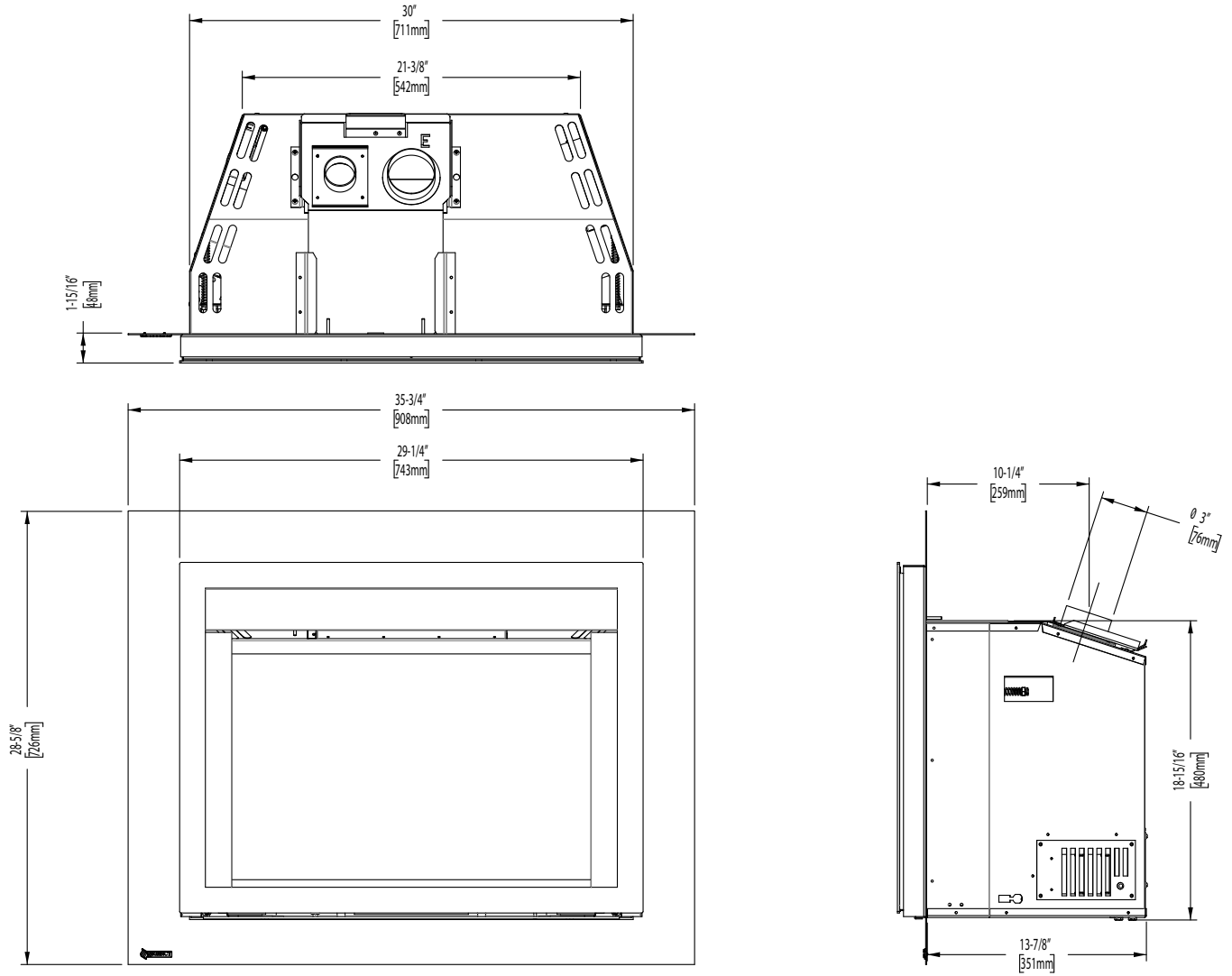


### UNIT DIMENSIONS WITH VIGNETTE FACEPLATE + SMALL BACKING PLATE



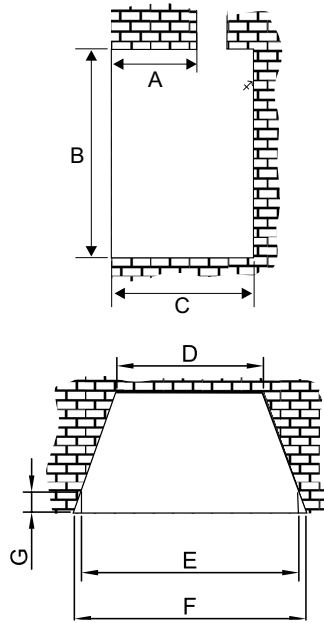
Not Shown:  
 Regular backing plate - 35-3/4" W x 25-5/8" H  
 Oversize backing plate - 38-3/16" W x 29-5/8" H

## UNIT DIMENSIONS WITH 4 SIDED VIGNETTE FACEPLATE + BACKING PLATE



## MINIMUM FIREPLACE DIMENSIONS

The minimum fireplace clearances & dimensions for the Regency gas insert are shown in the following diagrams:



	Max Lintel Bar Depth A	Height B	Depth C	Width (rear) D	Width (front) E	Width F	Front Depth To Taper G
Vignette Faceplate	8-5/8"	19-1/2"	14-1/2"	21-5/8"	28-1/2"	31-1/8"	4"

## MINIMUM CLEARANCES TO COMBUSTIBLES

The clearances listed below are Minimum distances unless otherwise stated:

A major cause of fires is failure to maintain required clearances (air space) to combustible materials. It is of the greatest importance that this decorative gas appliance be installed only in accordance with these instructions.

Clearance:	Dimension	Measured From:
<b>A: Sides</b>	6" / 152 mm	From inside edge of faceplate / doors
<b>B: Ceiling</b>	60" / 1524 mm	From Base of Unit
<b>C: Mantel (Min. Height)</b>	*28" / 711mm 38" / 965mm	From Base of Unit From Base of Unit
<b>D: Min. Hearth Depth</b>	12" / 305mm	
<b>E: Min. Hearth Length</b>	36" / 914mm	
<b>G: Max. Mantle Depth</b>	0 -12" / 305 mm	@ 47" (1193mm) from bottom of unit
<b>K: Min. Alcove Width</b>	54" / 1372 mm	
<b>L: Max. Alcove Depth</b>	36" / 914 mm	
<b>M: Mantel Deflector</b>	3-1/2" / 89mm	

**NOTE:** 36" (914 mm) wide x 12" (305mm) deep non combustible hearth is required in front of the appliance, unless the unit is raised 3-1/2" (89 mm) off the floor surface.  
\*An optional 3-1/2" deflector, reduces the mantel height to 28" from bottom of unit @ 1" depth.

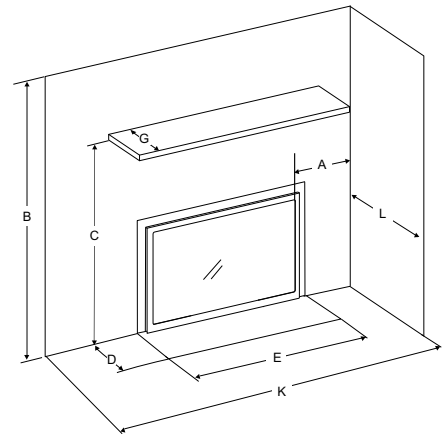


Diagram 1

### MANTEL CLEARANCES WITHOUT DEFLECTOR

### MANTEL CLEARANCES WITH 3-1/2" DEFLECTOR

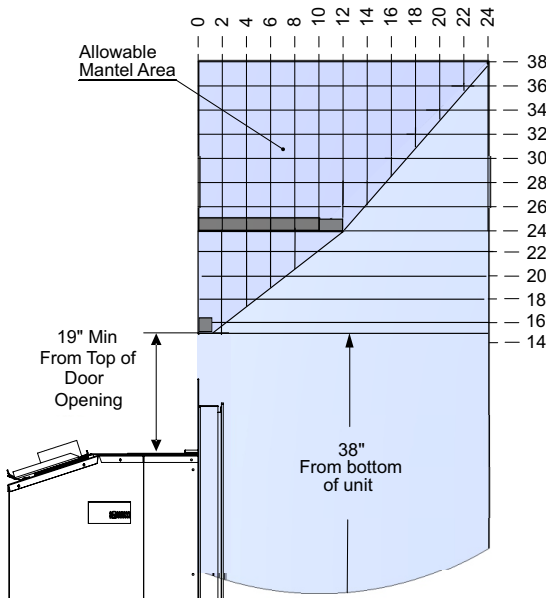


Diagram 2

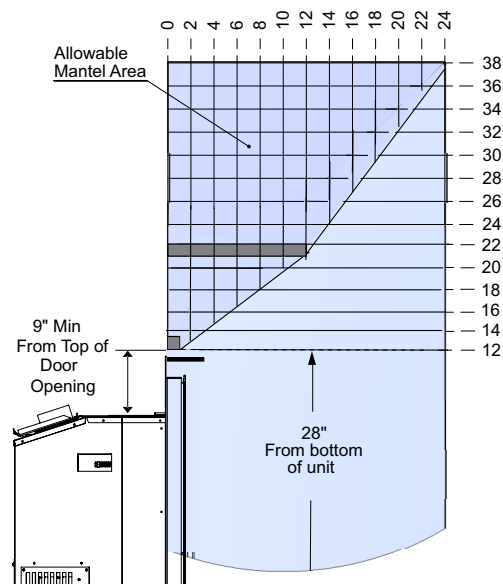


Diagram 3

### WARNING

Although this appliance passes safety certification, the hearth in front of the fireplace becomes very hot when the fireplace heats. Do not use the hearth as a seat or shelf.

**Note:** A 3-1/2" mantel deflector to reduce mantel height to 28" from bottom of unit @ 1" depth.

A noncombustible mantel may be installed at a lower height if the framing is made of metal studs covered with a noncombustible board.

**Note:** All material used must be completely non-combustible.