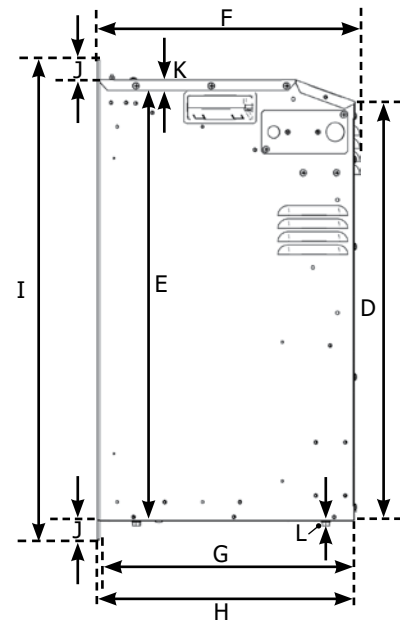
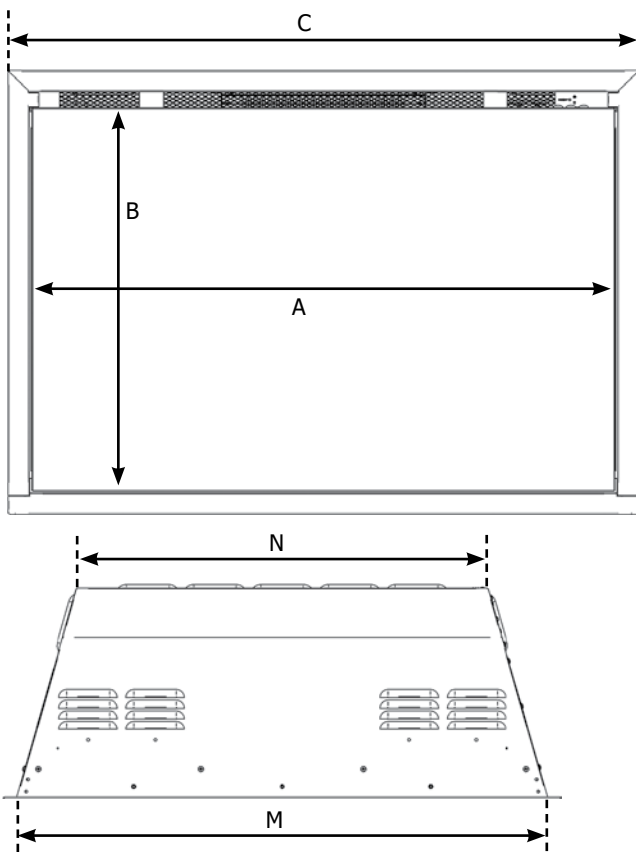


Ei29 Electric Insert

MODEL	Ei29
Type	Electric
Rated Power Consumption	120 VAC (1400 Watts)
Rated Power Consumption	240 VAC (2800 Watts)



Unit Dimensions



DIMENSIONS	A	B	C*	D	E	F	G
Ei29	729 mm (28-11/16 in)	479 mm (18-7/8 in)	789 mm (31-1/16 in)	482 mm (19 in)	508 mm (20 in)	302 mm (11-7/8 in)	295 mm (11-5/8 in)
	H	I*	J	K	L	M	N
	298 mm (11-3/4 in)	554 mm (21-13/16 in)	20 mm (13/16 in)	10.5 mm (7/16 in)	6 mm (1/4 in)	750 mm (29-1/2 in)	580 mm (23 in)

* With 4-sided finishing trim installed

** Location of Electrical located on right hand side of appliance.

For use with 120 VAC 60 Hz 3 prong plug (supplied) or 120 VAC 60 Hz hardwire option.

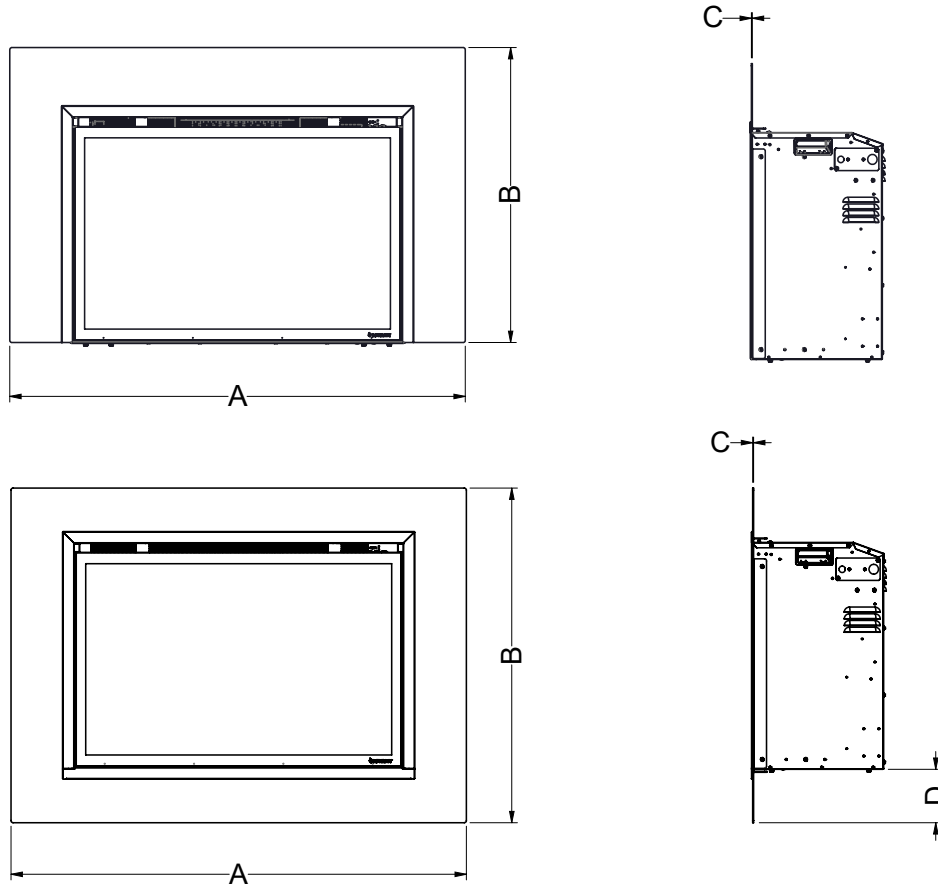
240 VAC power supply with hardware installation only.

Note: The wiring from the appliance to the breaker must be supplied by a qualified electrician. This is not supplied with the appliance.

For use with 120V 60Hz electricity supply.

240V supply with hardwire installation only.

Faceplate Dimensions

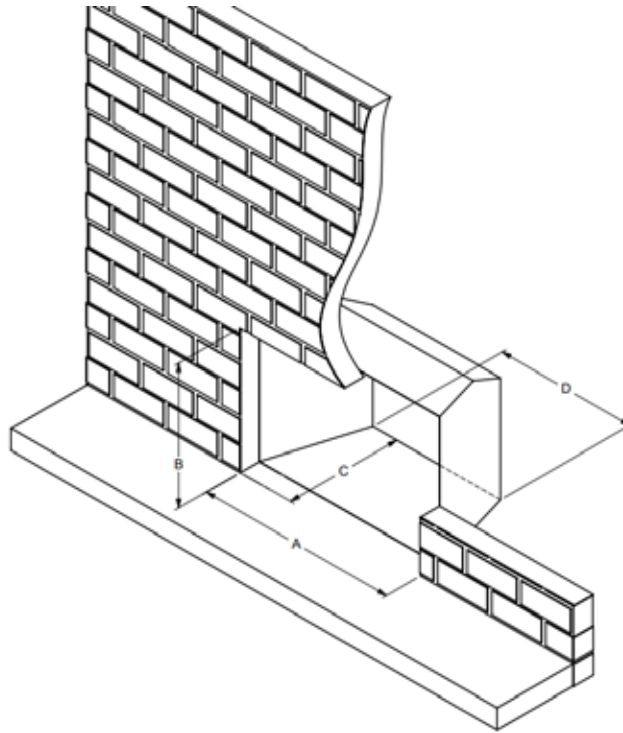


Faceplate	Dimensions			
	Width (A)	Height (B)	Depth (C)	Bottom Height (D)
3 Sided Finishing Trim*	31-1/16" (789mm)	20-7/8" (531mm)	1/8" (3mm)	-
4 Sided Finishing Trim**	31-1/16" (789mm)	21-13/16" (554mm)	1/8" (3mm)	13/16" (20mm)
3 Sided Flush Faceplate	40-3/16" (1021mm)	26" (661mm)	1/16" (2mm)	-
3 Sided Flush Faceplate w/ Premium Surround	40-13/16" (1037mm)	26-3/8" (670mm)	1-11/16" (43mm)	-
3 Sided Flush Faceplate w/ Traditional Surround	45-3/4" (1162mm)	28-3/4" (731mm)	2-1/4" (57mm)	-
4 Sided Flush Faceplate	40-3/16" (1021mm)	29-1/2" (750mm)	1/16" (2mm)	4-3/4" (121mm)
3 Sided Oversized Backing Plate	47-1/2" (1207mm)	31-1/2" (800mm)	1/16" (2mm)	-
3 Sided Custom Faceplate	33-1/16" - 56-7/8" (840mm - 1445mm)	21-7/8" - 44-7/8" (556mm - 1140mm)	1/16" (2mm)	-
4 Sided Custom Faceplate	33-1/16" - 69" (840mm - 1753mm)	23-13/16" - 45" (605mm - 1143mm)	1/16" (2mm)	1-7/8" min (48mm)

* Bottom trim from 4 sided finishing trim is removed to create a 3 sided.

** Included with appliance

Minimum Fireplace Opening Sizes With Varying Faceplate Options



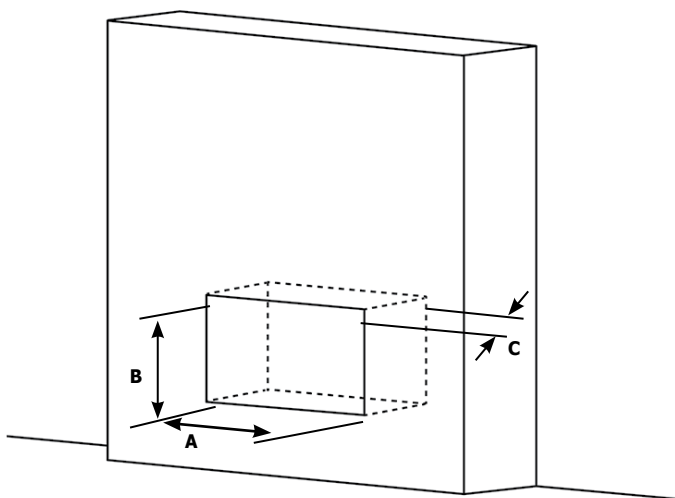
Faceplate	Dimensions			
	Min Install Width (A)	Min Install Height (B)	Min Install Depth (C)	Min Rear Width (D)
3 Sided Finishing Trim*	29-5/8" (752mm)	20-5/16" (516mm)	11-13/16" (300mm)	23-5/16" (592mm)
3 Sided Finishing Trim w/ Backing Plate	30-5/8" (778mm)	20-3/4" (527mm)	11-13/16" (300mm)	23-5/16" (592mm)
4 Sided Finishing Trim**	29-5/8" (752mm)	20-5/16" (516mm)	11-13/16" (300mm)	23-5/16" (592mm)
3 Sided Flush Faceplate	29-13/16" (757mm)	20-9/16" (522mm)	11-13/16" (300mm)	23-5/16" (592mm)
3 Sided Flush Faceplate w/ Backing Plate	30-5/8" (778mm)	20-3/4" (527mm)	11-3/4" (298mm)	23-5/16" (592mm)
3 Sided Flush Faceplate w/ Premium Surround	29" (737mm)	20-3/16" (513mm)	10-7/16" (265mm)	23-5/16" (592mm)
3 Sided Flush Faceplate w/ Premium Surround and Backing Plate	30-5/8" (778mm)	20-3/4" (527mm)	10-3/8" (264mm)	23-5/16" (592mm)
3 Sided Flush Faceplate w/ Traditional Surround	28-7/16" (722mm)	20-1/8" (511mm)	9-3/4" (248mm)	23-5/16" (592mm)
3 Sided Flush Faceplate w/ Traditional Surround and Backing Plate	30-5/8" (778mm)	20-3/4" (527mm)	9-11/16" (246mm)	23-5/16" (592mm)
4 Sided Flush Faceplate	29-13/16" (757mm)	20-13/16" (529mm)	11-13/16" (300mm)	23-5/16" (592mm)
3 Sided Custom Faceplate	29-13/16" (757mm)	20-9/16" (522mm)	11-13/16" (300mm)	23-5/16" (592mm)
4 Sided Custom Faceplate	29-13/16" (757mm)	20-13/16" (529mm)	11-13/16" (300mm)	23-5/16" (592mm)

* Bottom trim from 4 sided finishing trim is removed to create a 3 sided.

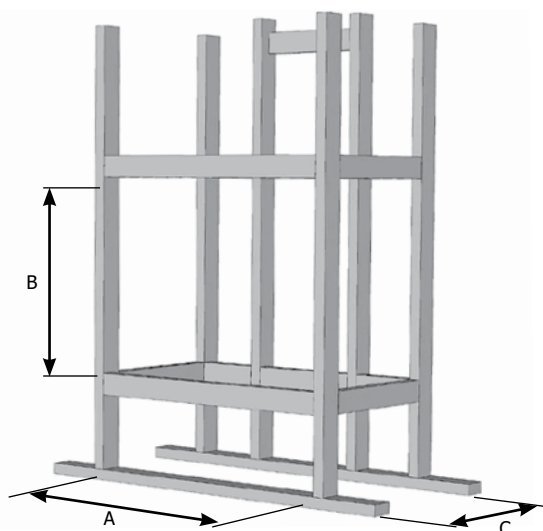
** Included with appliance

Installation Instructions

MASONRY FIREPLACE



WOOD FRAMING



NOTE: ALSO SEE MINIMUM FIREPLACE OPENING SIZES WITH VARYING FACEPLATE OPTIONS AS THE OPENING SIZE (A,B,C) WILL VARY DEPENDING ON FACEPLATE USED. SEE PAGE 14 FOR DETAILS.

MINIMUM OPENING SIZE

	A	B	C
Dimensions	755 mm (29-3/4 in)	523 mm (20-9/16 in)	320 mm (12-5/8 in)

Electrical Receptacle in a Masonry Fireplace/Wood Framing

The electrical receptacle (if permitted) can be placed on the left or right side of the unit within the masonry/wood framing enclosure, respecting the following conditions:

1. Distance from the receptacle face to the insert minimum 3" (76 mm).
2. Height from the top of the receptacle to the floor of the fireplace: maximum 3.5" (89 mm).
3. The receptacle box and receptacle cover must be made of metal.
4. Where the 120-volt power cord exits toward the receptacle, it must not come into contact with the back or sides of the insert.
When installed, this appliance must be grounded in accordance with local codes, or in their absence, the National Electrical Code ANSI/NFPA 70, or the Canadian Electrical code CSA C22.1.

IMPORTANT: Check with your local inspector before starting this installation, as some jurisdictions may not allow placement of this receptacle within a masonry chimney/Fireplace/wood framing.

Note: Ensure that the appliance is sitting on a solid continuous surface which is the full width and depth of appliance and is level.

Finishing Materials (Wood Framing)

Combustible or non-combustible finishing materials may be used to finish up to the fireplace.

DO NOT PACK THE VOID AROUND OR ABOVE THE APPLIANCE WITH INSULATION OR MINERAL WOOL.

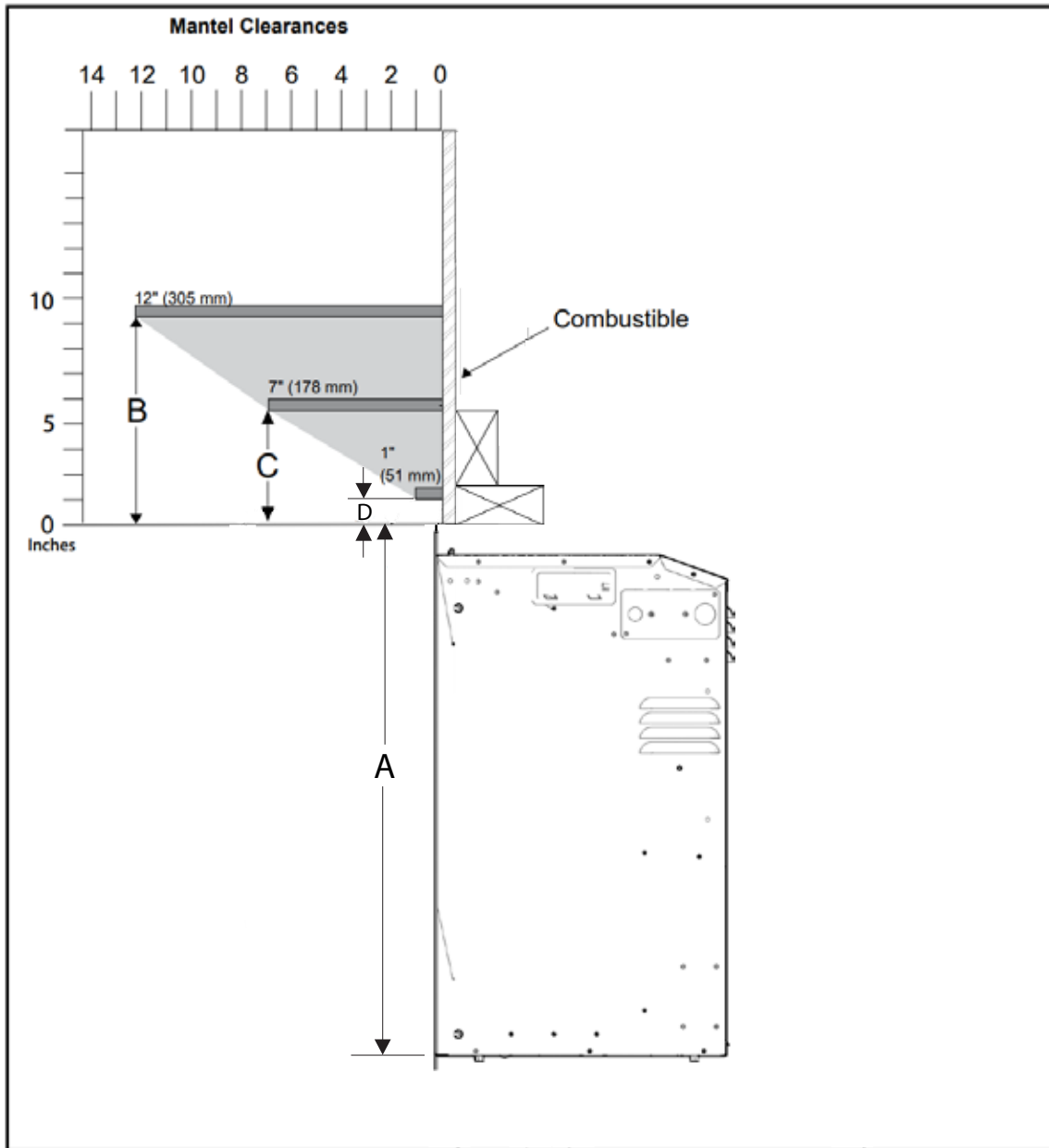
NOTE: In order to avoid the possibility of exposed insulation or vapour barrier coming into contact with the appliance body, it is recommended that the walls of the appliance enclosure be "finished" off with drywall/sheetrock as you would finish any other outside wall of a home. This will ensure that clearance to combustibles is maintained within the cavity.

Once the opening has been prepared and the power has been routed to the right side (if hardwiring) of the appliance, follow steps below.

- A. Remove the glass front (See glass front removal)
- B. If leveling legs are required this should be installed with the bolts provided.
- C. If optional flush/backing faceplate is being installed this should be done prior to sliding unit into position
- D. If hardwiring, the electrical connections must also be made prior to placing the appliance into opening.
- E. Level the appliance and slide insert into its final position
- F. Install the log set
- G. Reinstall the glass front.
- H. Plug 3 prong plug into a suitable receptacle or if hardwired, turn breaker on.

Mantel Clearances

Combustible mantel clearances from top of finishing trim are shown in the diagram below.



	A	B	C	D
Dimensions	532 mm (20-15/16 in)	235 mm (9-1/4 in)	140 mm (5-1/2 in)	25 mm (1 in)

Note: Ensure the paint that is used on the mantel and the facing is "heat resistant" or the paint may discolour.

Measurement (A) is shown with 3 sided finishing trim.

If using any of the optional flush faceplate's/backing plates/custom backing plates which have various heights depending on faceplate chosen, ensure mantel begins above the actual faceplate using the chart above as the mantel cannot overlap the faceplate Also see faceplate/backing plate sizes in this manual.