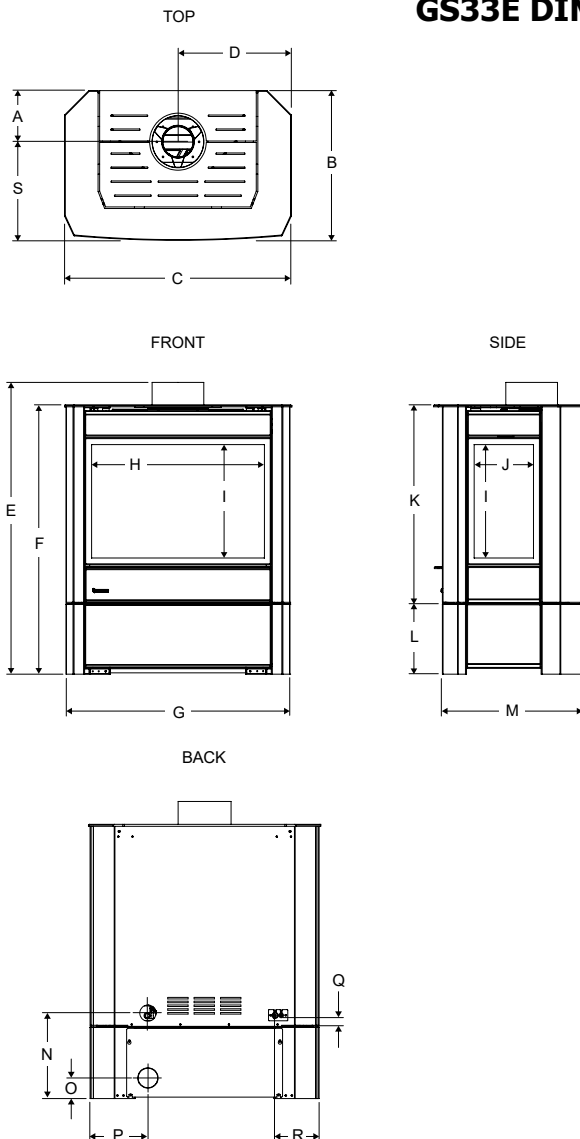


Atmosphere GS33E Freestanding Gas Stove

MODEL	GS33E-NG	GS33E-LP
Fuel Type	Natural Gas	Propane
Min. Supply Pressure	5" W.C. (1.25 kPa)	11" W.C. (2.74 kPa)
Max. Supply Pressure	14" W.C. (3.48 kPa)	14" W.C. (3.48 kPa)
Manifold Pressure - High	3.5" W.C. (0.87 kPa)	10" W.C. (2.49 kPa)
Manifold Pressure - Low	1.6" W.C. (0.40 kPa)	6.4" W.C. (1.60 kPa)
Orifice Size -Altitude 0-4500 ft	# 32 DMS	# 50 DMS
Minimum Input Altitude 0-4500 ft. (0-1372m)	26,000 Btu/h (7.62 kW)	29,000 Btu/h (8.5 kW)
Maximum Input Altitude 0-4500 ft. (0-1372m)	38,000 Btu/h (11.14 kW)	36,000 Btu/h (10.55 kW)
Vent Sizing	4" Inner / 6-5/8" Outer	4" Inner / 6-5/8" Outer
CSA P.4.1 Fireplace Efficiency (FE)	58.58%	57.58%
Efficiency (Steady State)	67.77%	65.92%



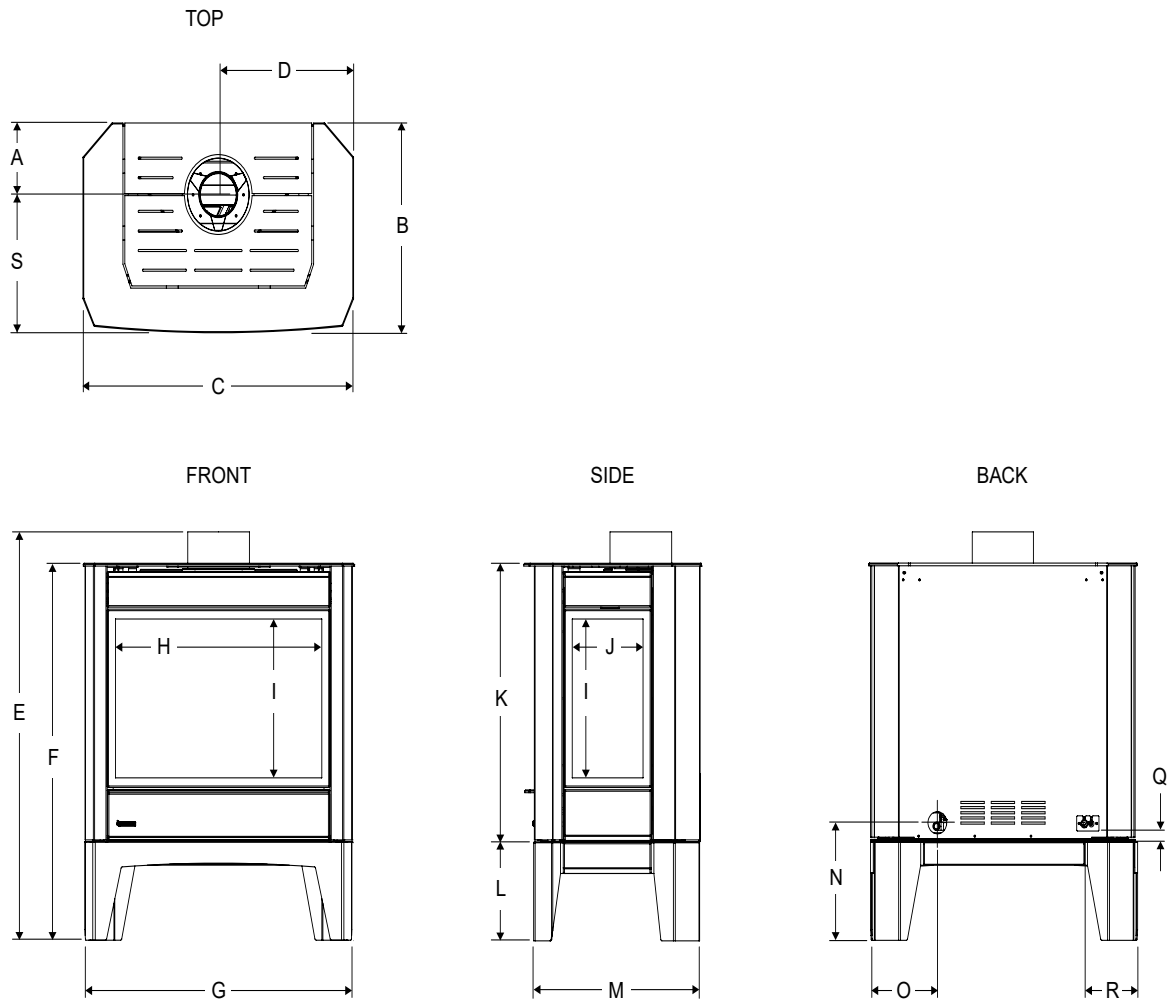
GS33E DIMENSIONS WITH PEDESTAL



Letter	Description	Dimensions (inches)	Dimensions (mm)
A	Flue Center Back	6-7/16"	163 mm
B	Overall Depth	18-13/16"	478 mm
C	Overall Width	28-11/16"	728 mm
D	Flue Center Side	14-5/16"	364 mm
E	Overall Height	36-15/16"	939 mm
F	Stove Height	34-3/16"	868 mm
G	Stove Width	28-1/4"	717 mm
H	View Area Width	21-5/8"	550 mm
I	View Area Height	14-1/4"	362 mm
J	View Area Width	7-1/2"	190 mm
K	Stove Height	25"	635 mm
L	Pedestal Height	9-3/16"	233 mm
M	Stove Depth	17-5/8"	447 mm
N	Opening Center Height	11-1/16"	280.5 mm
O	Opening Center Height	3-3/16"	72.5 mm
P	Opening Center Side	7-1/8"	181 mm
Q	Power Cord Center Height	15/16"	24 mm
R	Power Cord Center Side	5-1/2"	140 mm
S	Flue Centerline Front	12-3/8"	314 mm

NOTE: Heights listed are with leveling feet at minimum height.
Length of 120 volt power cord is 78" (1.98 m).

GS33E DIMENSIONS WITH LEGS



NOTE: Heights listed are with leveling feet at minimum height.
Length of 120 volt power cord is 78" (1.98 m).

Letter	Description	Dimensions (inches)	Dimensions (mm)
A	Flue Center Back	6-7/16"	163 mm
B	Overall Depth	18-13/16"	478 mm
C	Overall Width	28-11/16"	728 mm
D	Flue Center Side	14-5/16"	364 mm
E	Overall Height	36-15/16"	939 mm
F	Stove Height	34-3/16"	868 mm
G	Stove Width	28-1/4"	717 mm
H	View Area Width	21-5/8"	550 mm
I	View Area Height	14-1/4"	362 mm

Letter	Description	Dimensions (inches)	Dimensions (mm)
J	View Area Width	7-1/2"	190 mm
K	Stove Height	25"	635 mm
L	Leg Height	9-3/16"	233 mm
M	Stove Depth	17-5/8"	447 mm
N	Opening Center Height	11-1/16"	280.5 mm
O	Opening Center Height	2-9/16"	64.5 mm
P	Opening Center Side	7-1/8"	181 mm
Q	Power Cord Center Height	15/16"	24 mm
R	Power Cord Center Side	5-1/2"	140 mm
S	Flue Centerline Front	12-3/8"	314 mm

CLEARANCES TO COMBUSTIBLES

The clearances listed are MINIMUM distances. Measure the clearance to both the appliance and the chimney connector. The farthest distance is correct if the two clearances do not coincide.

For example, if the appliance is set as indicated in one of the figures but the connector is too close, move the stove until the correct clearance to the connector is obtained.

This appliance may be installed only with the clearances as shown in the situations pictured. Do not combine clearances from one type of installation with another in order to achieve closer clearances.

This unit can be installed on a solid combustible surface like a wood floor. This unit can also be installed directly on carpeting or vinyl.

GS33E-NG/GS33E-LP Clearances

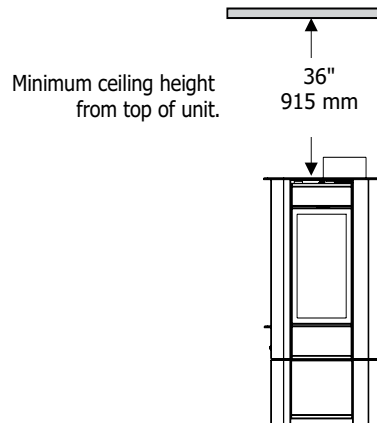
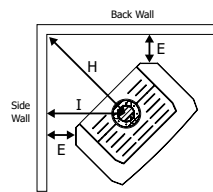
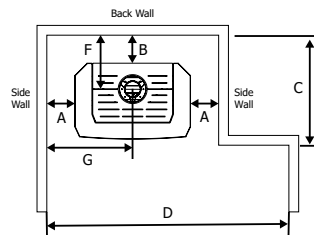
A Side Wall to Unit	12" / 305 mm
B Back Wall to Unit	4" / 102 mm
C Back Wall to Side Wall Front	23" / 585 mm
D Alcove Width	84" / 2134 mm
E Side Wall to Unit Corner	4" / 102 mm

GS33E-NG & GS33E-LP Reference Dimensions

F	Back Wall to Flue Centerline	10-7/16" (265 mm)
G	Side Wall to Flue Centerline	26-5/6" (668 mm)
H	Back Wall Corner To Flue Centerline	23-1/16" (586 mm)
I	Side Wall to Flue Centerline	16-5/16" (414 mm)

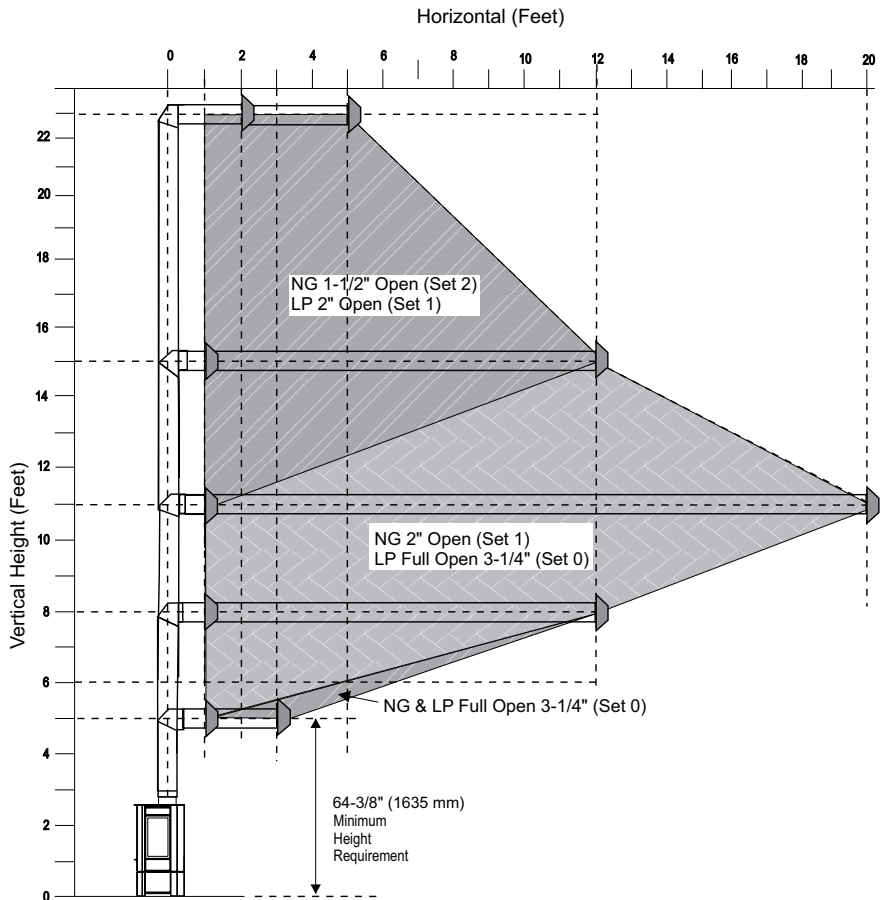
GS33E Pipe Clearances

Horizontal Top	2" / 51 mm
Horizontal Sides	1-1/2" / 38 mm
Horizontal Bottom	1" / 25 mm
Vertical	1-1/4" / 32 mm



VENT ARRANGEMENTS - HORIZONTAL TERMINATION (PROPANE OR NATURAL GAS)

The diagram shows all allowable combinations of vertical runs with horizontal terminations, using one 90° elbow (two 45° elbows equal one 90° elbow).



All Rigid Pipe Systems
4" inner diameter
6-5/8" outer diameter

GS33E Pipe Clearances

Horizontal Top	2" (51 mm)
Horizontal Sides	1-1/2" (38 mm)
Horizontal Bottom	1" (25 mm)
Vertical	1-1/4" (32 mm)

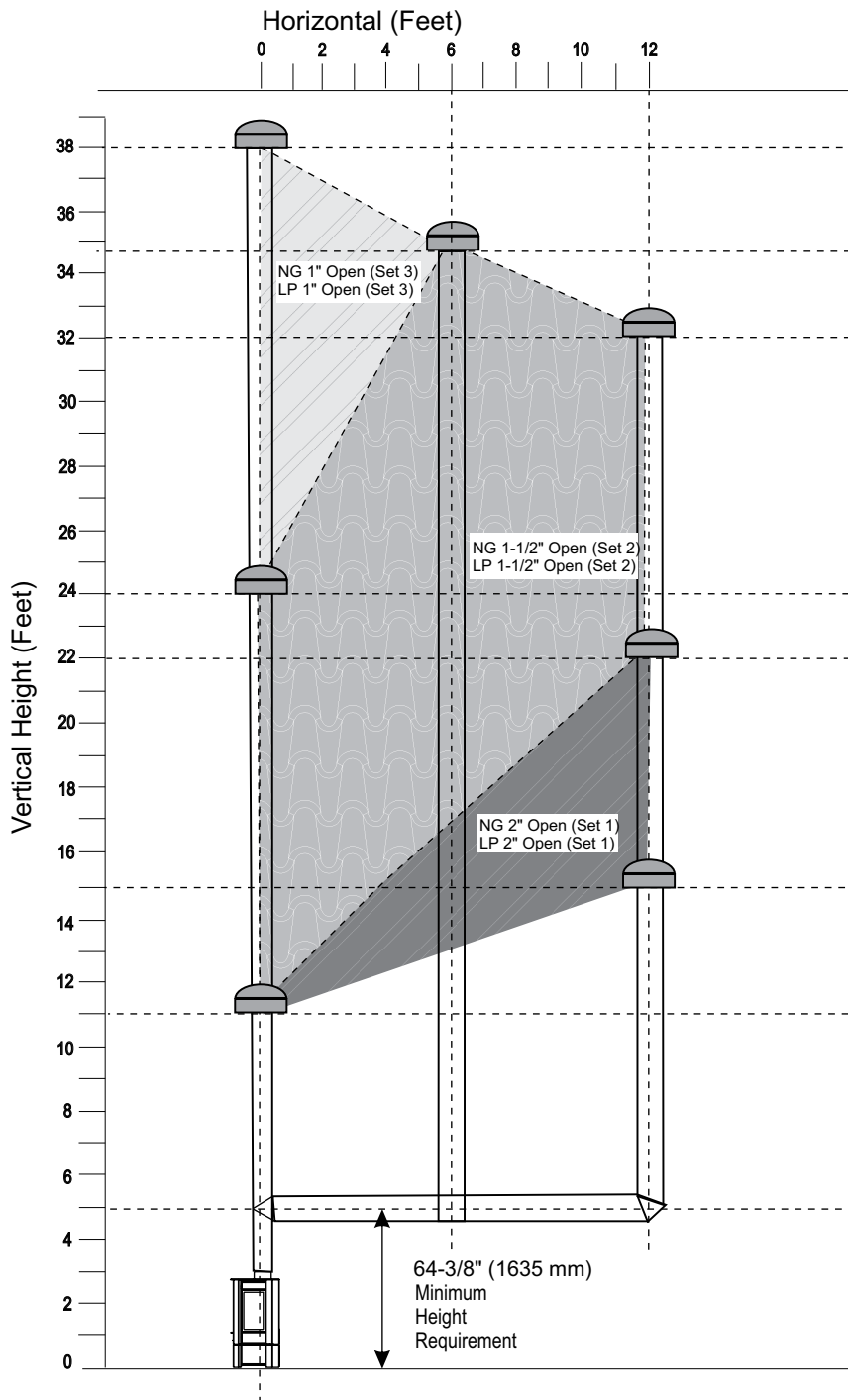
- | | |
|--|--|
| <ul style="list-style-type: none"> Maintain clearances to combustibles. Horizontal vent must be supported every 3 feet. Firestops are required at each floor level and whenever passing through a wall. | <p>Note: FPI DV Stove Horizontal Vent Kit 2 ft. (Part # 946-116) or 4 ft. (Part # 946-216) are approved for horizontal terminations. Only rigid pipe systems may be used.</p> |
|--|--|

VENTING ARRANGEMENTS VERTICAL TERMINATION - RIGID PIPE SYSTEM (PROPANE OR NATURAL GAS)

The shaded area in the diagram shows all allowable combinations of straight vertical and offset to vertical terminations, using two 90° elbows, with rigid pipe vent systems for Propane and Natural Gas. Two 45° elbows equal a 90° elbow.

May be installed in Manufactured (Mobile) Homes after first sale.

If the vent is ENCLOSED in a chase (min. size 9-1/8" (232 mm) x 9-1/8" (232 mm)) maintain a 1-1/4" (32 mm) clearance to combustibles.



GS33E Pipe Clearances

Horizontal Top	2" (51 mm)
Horizontal Sides	1-1/2" (38 mm)
Horizontal Bottom	1" (25 mm)
Vertical	1-1/4" (32 mm)

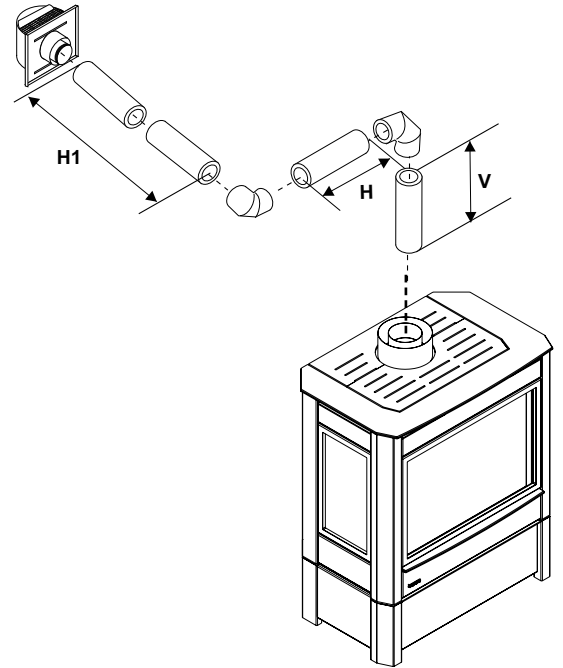
- Vent must be supported at offsets.
- Firestops are required at each floor level and whenever passing through a wall.
- Maintain clearances to combustibles.

Horizontal Terminations - Two 90° Elbows - Rigid Pipe (Propane & Natural Gas)

<i>One 90° elbow = Two 45° elbows.</i>		
Option	V	H + H1
A)	4' (1.22 m) Min.	3' (0.91 m) Max.
B)	5' (1.52 m) Min.	4' (1.22 m) Max.
C)	6' (1.82 m) Min.	5' (1.52 m) Max.
D)	7' (2.13 m) Min.	6' (1.82 m) Max.
E)	8' (2.44 m) Min.	7' (2.13 m) Max.
F)	9' (2.74 m) Min.	8' (2.44 m) Max.

With these options, maximum total pipe length is 30 feet (9.14 m) with minimum of 9 feet (2.74 m) total vertical and maximum 8 feet (2.44 m) total horizontal.
Please note minimum 1 foot (0.3 m) between 90° elbows is required.

NG & LP Restrictor Set to Full Open 3-1/4" (Set 0). Lengths do not include elbows indicated.

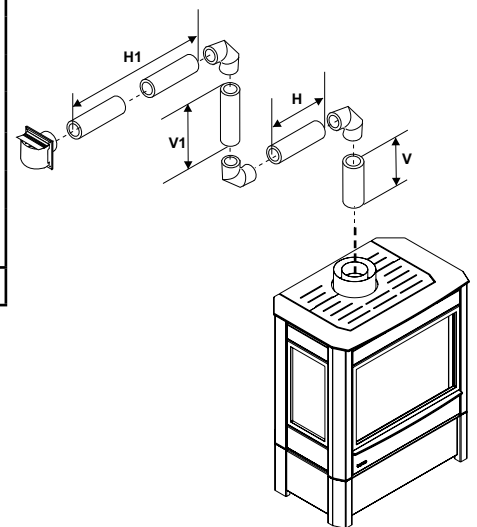


Horizontal Terminations - Three 90° Elbows - Rigid Pipe (Propane & Natural Gas)

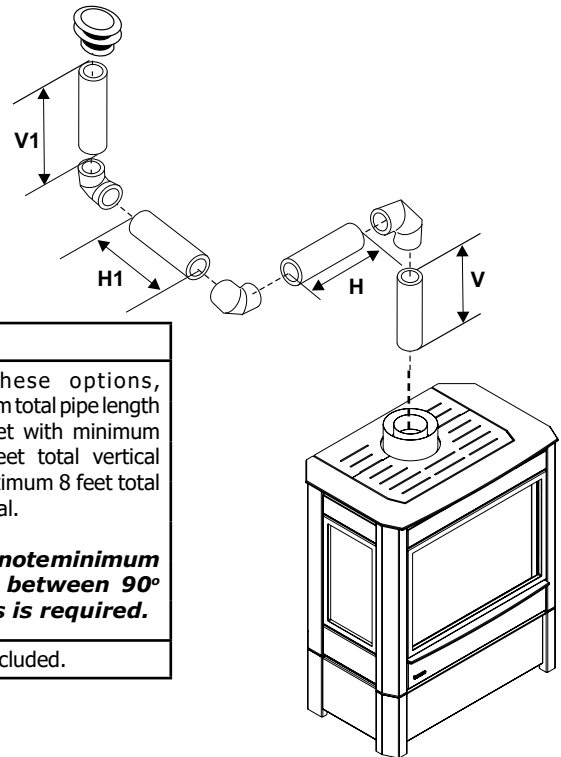
<i>One 90° elbow = Two 45° elbows.</i>				
Option	V	H	V + V1	H + H1
A)	3' (0.91 m) Min.	1' (0.3 m) Max.	4' (1.22 m) Min.	3' (0.91 m) Max.
B)	3' (0.91 m) Min.	2' (0.61 m) Max.	5' (1.52 m) Min.	4' (1.22 m) Max.
C)	4' (1.22 m) Min.	2' (0.61 m) Max.	6' (1.82 m) Min.	5' (1.52 m) Max.
D)	4' (1.22 m) Min.	3' (0.91 m) Max.	7' (2.13 m) Min.	6' (1.82 m) Max.
E)	5' (1.52 m) Min.	3' (0.91 m) Max.	8' (2.44 m) Min.	7' (2.13 m) Max.
F)	5' (1.52 m) Min.	4' (1.22 m) Max.	9' (2.74 m) Min.	8' (2.44 m) Max.

With these options, max. total pipe length is 30 feet (9.14 m) with min. of 9 feet (2.74 m) total vertical and max. 8 feet (2.44 m) total horizontal.
Please note min. 1 foot (0.3 m) between 90° elbows is required.

NG & LP Restrictor Set to Full Open 3-1/4" (Set 0). Lengths do not include elbows included.



Vertical Venting With Three 90° Elbows (Propane & Natural Gas) Rigid Pipe System



<i>One 90° elbow = Two 45° elbows.</i>			
Option	V	H + H1	V + V1
A)	3' (0.91 m) Min.	3' (0.91 m) Max.	5' (1.52 m) Min.
B)	4' (1.22 m) Min.	4' (1.22 m) Max.	6' (1.82 m) Min.
C)	4' (1.22 m) Min.	5' (1.52 m) Max.	7' (2.13 m) Min.
D)	5' (1.52 m) Min.	6' (1.82 m) Max.	8' (2.44 m) Min.
E)	5' (1.52 m) Min.	7' (2.13 m) Max.	9' (2.74 m) Min.
F)	6' (1.82 m) Min.	8' (2.44 m) Max.	10' (3.04 m) Min.

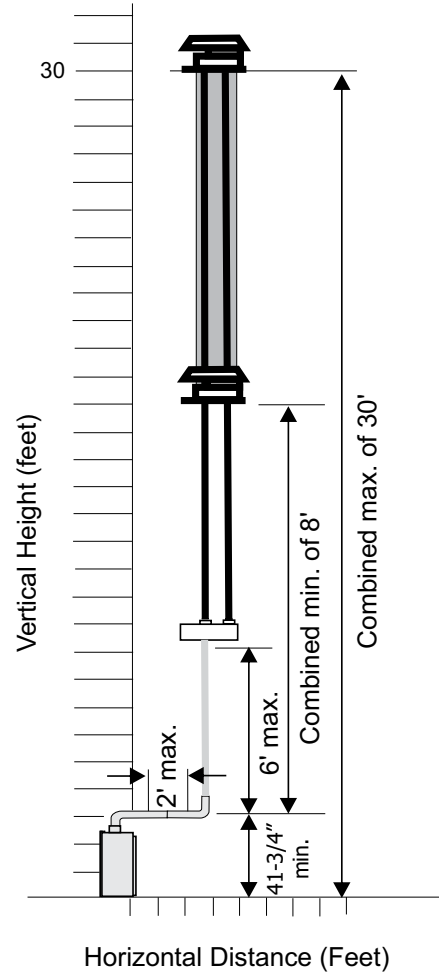
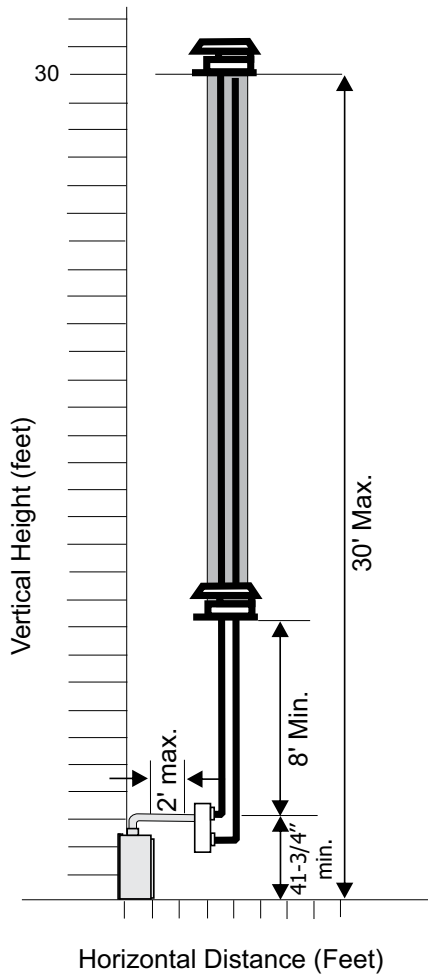
With these options, maximum total pipe length is 30 feet with minimum of 10 feet total vertical and maximum 8 feet total horizontal.

Please not a minimum 1 foot between 90° elbows is required.

NG & LP Restrictor Set to Full Open 3-1/4" (Set 0). Lengths do not include elbows included.

**VENTING ARRANGEMENT - VERTICAL TERMINATIONS - CO-LINEAR FLEX SYSTEM INTO
MASONRY FIREPLACES
(Propane & Natural Gas)
FOR BOTH RESIDENTIAL & MANUFACTURED HOMES**

Restrictor at 2" Open (Set 1)



VENTING ARRANGEMENTS WITH CO-LINEAR FLEX SYSTEM INTO A MASONRY CHIMNEY (Propane & Natural Gas)

THE APPLIANCE MUST NOT BE CONNECTED TO A CHIMNEY FLUE SERVING A SEPARATE SOLID FUEL BURNING APPLIANCE.

Masonry chimneys may take various contours which the flexible liner will accommodate. However, **keep the flexible liner as straight as possible**, avoid unnecessary bending.

The Air Intake pipe must be attached to the inlet air collar of the termination cap.

This appliance is designed to be attached to two 3" (76mm) co-linear aluminium flex running the full length of the chimney. See the Venting Arrangements on next page for minimum and maximum heights.

Required Parts:

Part #	Description
946-529	Co-linear DV Vertical Termination Cap
948-305	3" Flex - 35 ft.
946-563	Co-Axial to Co-Linear Adapter Kit which contains the following: Co-linear Flex Adapter Outer Pipe Inner Pipe Adapter 90 Degree Elbow Black Pipe Lengths

Alternate Approved Caps

46dva-VC	Vertical Termination Cap
46dva-VCH	High Wind Cap
46dva-GK	3" Co-linear Adapter with flashing

NOTE:

See detailed venting arrangements, vertical terminations, co-linear flex system into masonry fireplaces in this manual.

