

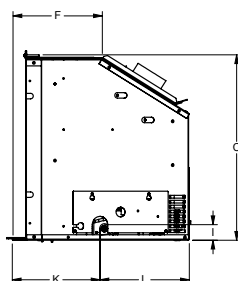
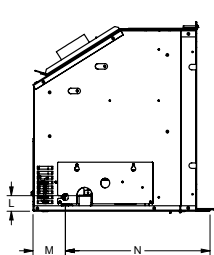
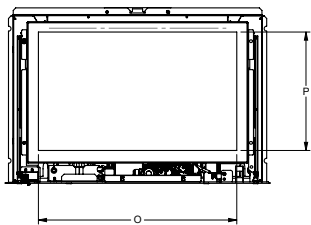
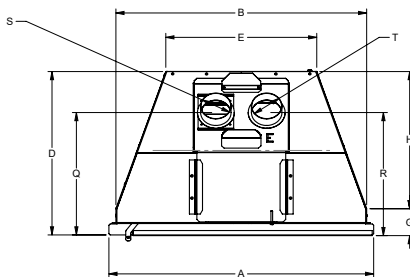
Regency® Gi25LE Gas Insert

MODEL	Gi25LE-NG
Fuel Type	Natural Gas
Minimum Supply Pressure	5" W.C. (1.25 kPa)
Manifold Pressure - High	3.5" W.C. (0.87 kPa)
Manifold Pressure - Low	1.6" W.C. (0.39 kPa)
Orifice Size - Altitude 0-4500 ft (0-1370m)	#38 DMS (0-2000 ft.) #39 DMS (2000 - 4500 ft.)
Orifice	#44 DMS
This appliance shall not be field converted. Approved for NG gas only.	



Fireplace Dimensions

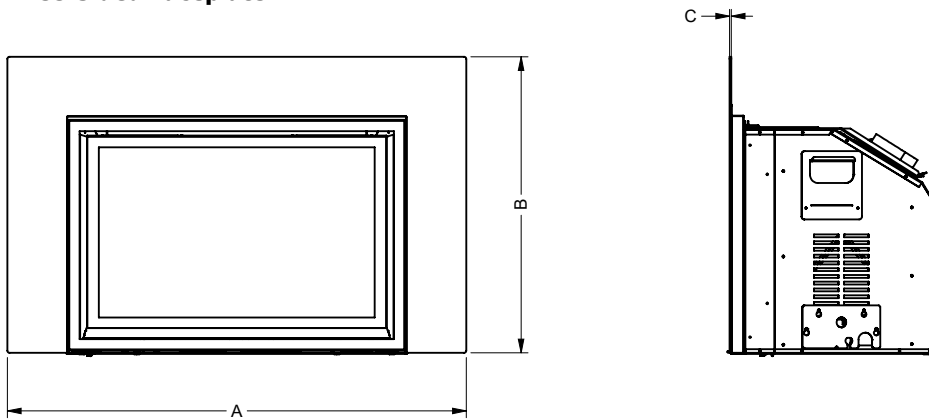
The minimum fireplace clearances and dimensions for the Regency gas insert are shown in the following diagrams:



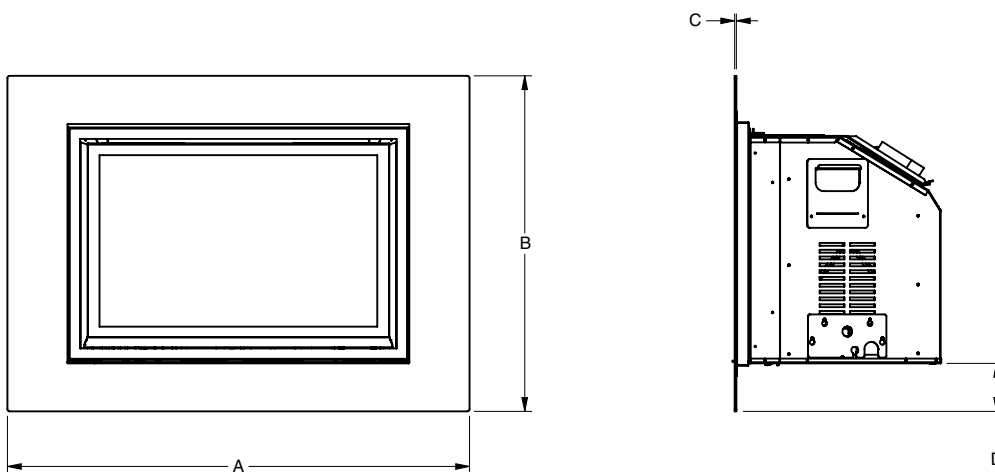
Letter	Description	Dimensions (inches)	Dimensions (mm)
A	Width	26"	660 mm
B	Outerbox Width	24-3/4"	629 mm
C	Outerbox Height	17"	432 mm
D	Outerbox Depth	16-1/4"	413 mm
E	Outerbox Rear Width	15"	381 mm
F	Front to Top Taper	8-1/4"	210 mm
G	Front to Side Taper	2-11/16"	68 mm
H	Rear to Side Taper	13-5/8"	346 mm
I	Gas Inlet Height	1-1/4"	32 mm
J	Gas Inlet Rear Depth	4-7/8"	124 mm
K	Gas Inlet Front Depth	11-1/2"	292 mm
L	Electrical Access Height	1-1/8"	29 mm
M	Electrical Access Rear Depth	3"	76 mm
N	Electrical Access Front Depth	13-1/4"	337 mm
O	Glass Viewing Area Width	19-1/2"	495 mm
P	Glass Viewing Area Height	11-5/8"	295 mm
Q	Front to Intake	11-15/16"	303 mm
R	Front to Exhaust	11-15/16"	303 mm
S	Intake Diameter	3"	76 mm
T	Exhaust Diameter	3"	76 mm

Faceplate Dimensions

Three-Sided Faceplate



Four-Sided Faceplate



Faceplate	Dimensions			
	Width (A)	Height (B)	Depth (C)	Bottom Height (D)
3-Sided Regular Faceplate	35-3/4" (908 mm)	23-1/4" (591 mm)	1-1/4" (32 mm)	-
3-Sided Flush Faceplate	35-3/4" (908 mm)	23-1/4" (591 mm)	1/8" (3 mm)	-
4-Sided Flush Faceplate	35-3/4" (908 mm)	26-3/8" (670 mm)	1/8" (3 mm)	4-1/4" (108 mm)
3-Sided Finishing Trim	28-1/4" (718 mm)	18-3/4" (476 mm)	1/16" (2 mm)	-
4-Sided Finishing Trim	28-1/4" (718 mm)	20" (508 mm)	1/16" (2 mm)	1-1/8" (29 mm)
3-Sided Oversized Backing Plate	44-5/8" (1134 mm)	29-5/8" (737 mm)	1/8" (3 mm)	-
3-Sided Custom Backing Plate	30-1/4" - 56-7/8" (768 mm - 1445 mm)	19-3/4" - 44-7/8" (502 mm - 1118 mm)	1/8" (3 mm)	-
4-Sided Custom Backing Plate	30-1/4" - 69" (768 mm - 1753 mm)	22-1/8" - 45" (562 mm - 1143 mm)	1/8" (3 mm)	2-1/8" minimum (54 mm min.)

Minimum Clearances to Combustibles

The clearances listed below are minimum distances unless otherwise stated.

A major cause of fires is failure to maintain required clearances (airspace) to combustible materials. It is of the greatest importance that this decorative gas appliance is installed only in accordance with these instructions.

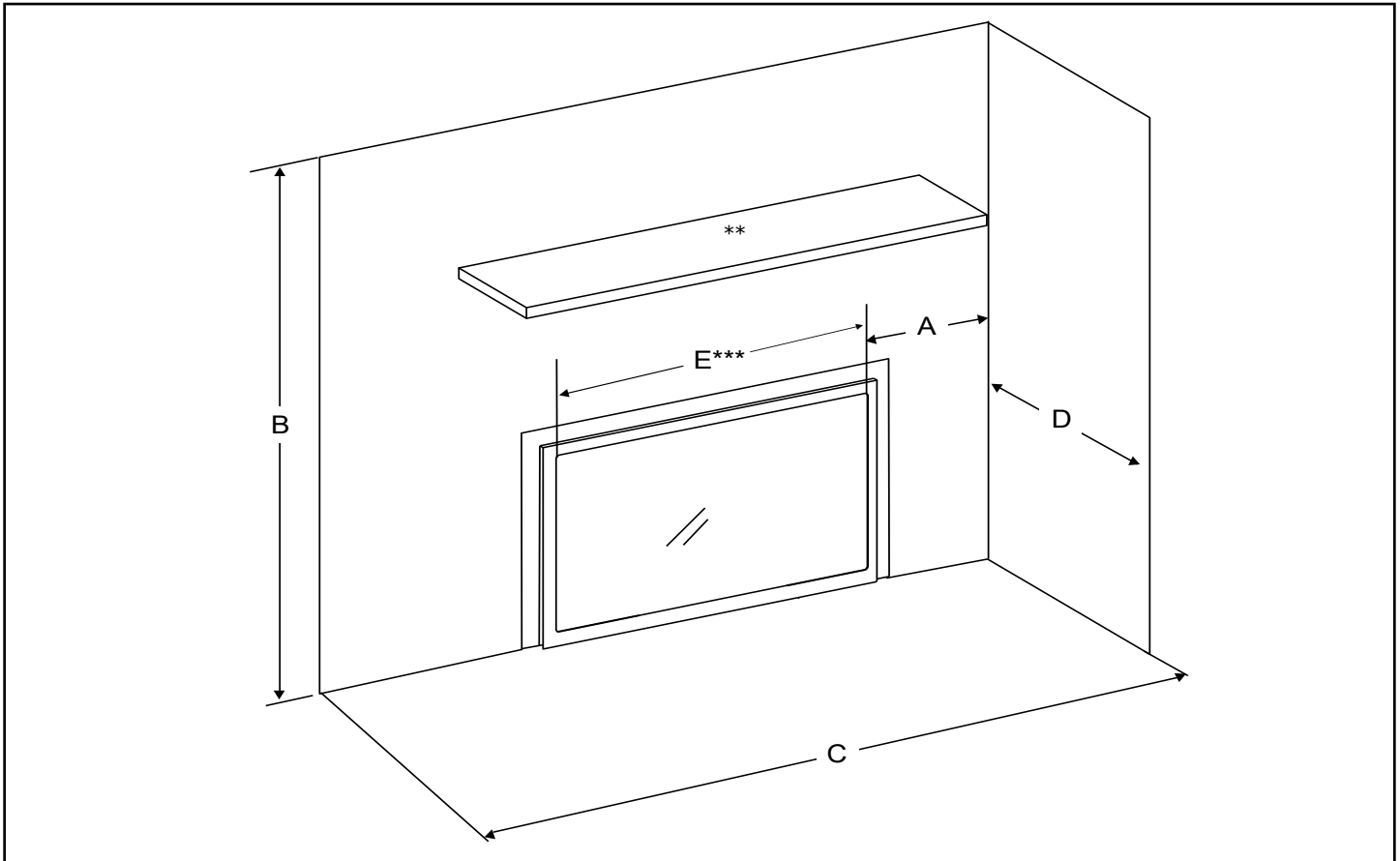


Diagram 1

Clearance	Dimension	Measured From:
A: Sidewall	8" / 203 mm	***From inside edge of faceplate / doors
B: Ceiling	60" / 1524 mm	From base of unit
C: Min. Alcove Width	54" / 1372 mm	From side wall to side wall
D: Max. Alcove Depth	36" / 914 mm	From the front of the unit.

NOTES A hearth is recommend but not required in front of this appliance. If bringing combustible flooring up to the appliance it must be at the same level or lower than the appliance base. No combustible material is permitted underneath the appliance.

NOTES

- **For mantel clearances, see next page.
- (E): ***Measured from the inside edge of the faceplate/doors - reference only: 19-9/16" (497 mm)

Mantel Clearances Without Mantel Deflector

Mantel Clearances With 2-1/4" (57 mm) Mantel Deflector

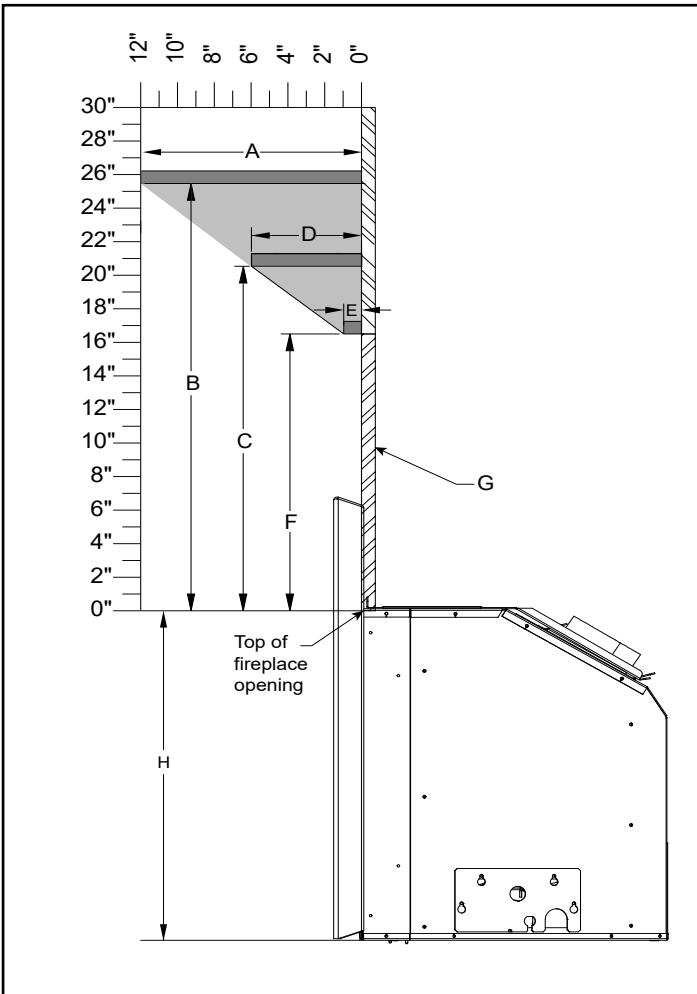


Diagram 2

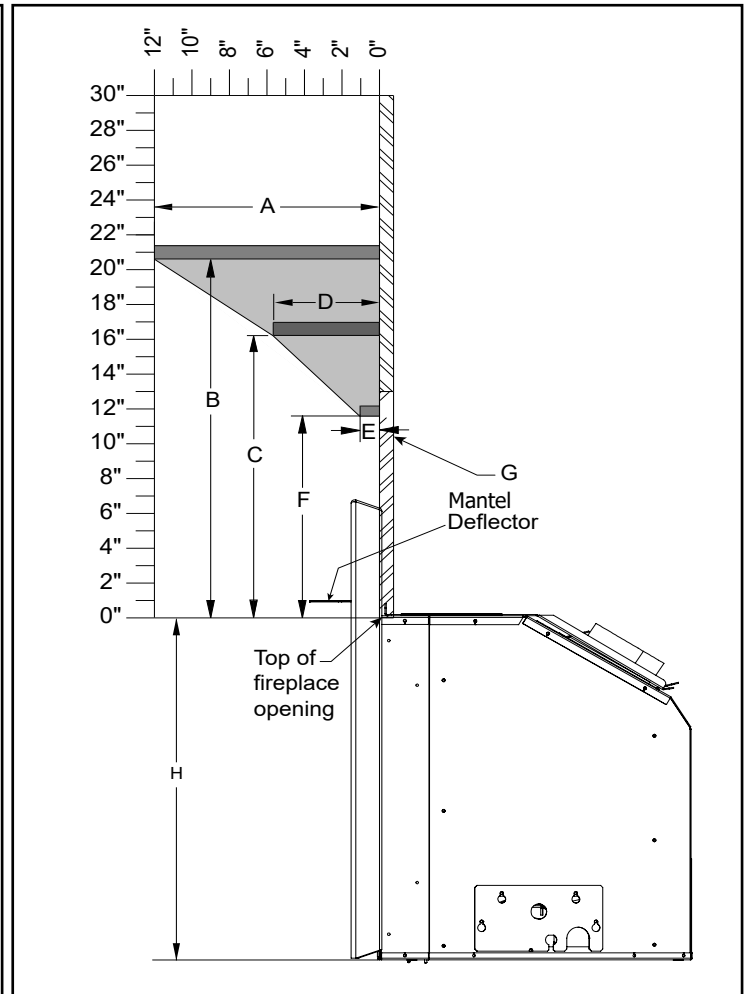


Diagram 3

A	12" (305 mm)
B	25-1/2" (648 mm)
C	21" (534 mm)
D	6" (152 mm)

E	1" (25 mm)
F	16-1/2" (419 mm)
G	Non Combustible Materials
H	16-5/8" (422 mm) to base of unit

A	12" (305 mm)
B	20-1/2" (521 mm)
C	16" (407 mm)
D	6" (152 mm)

E	1" (25 mm)
F	11-1/2" (292 mm)
G	Non Combustible
H	16-5/8" (422 mm) to base of unit

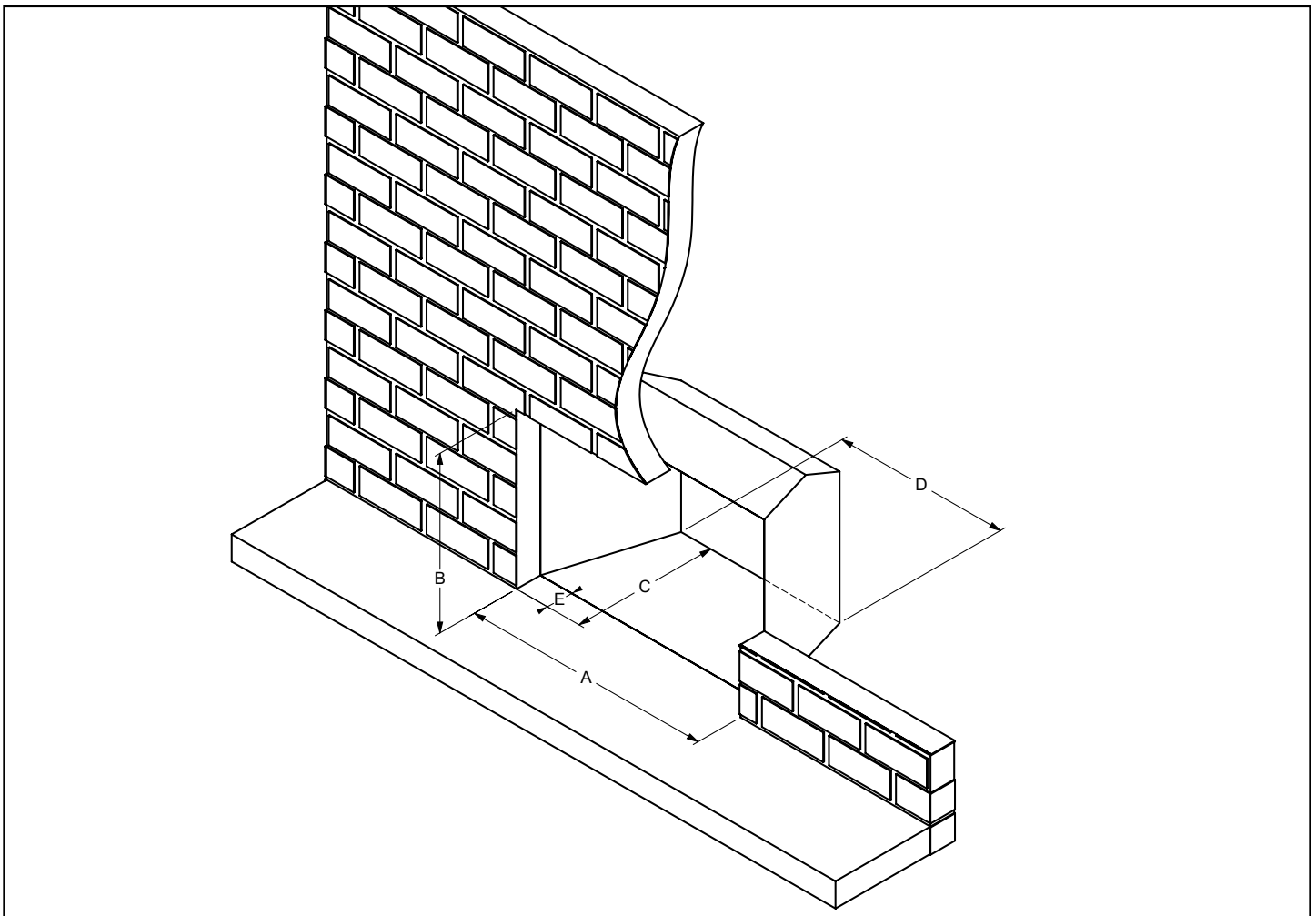
WARNING

Although this appliance passes safety certification, the hearth in front of the fireplace becomes very hot when the fireplace heats. Do not use the hearth as a seat or shelf.

NOTES

- A 2-1/4" (57 mm) mantel deflector reduces mantel height to 28-1/8" (714 mm) from the base of the unit at 1" (25 mm) depth.
- A non-combustible mantel may be installed at a lower height if the framing is made of metal studs covered with a non-combustible board. The non-combustible mantel, when installed at a lower overall height, may not be lower than 6" (152 mm) from the top of the fireplace opening.
- All material used must be non-combustible.

Minimum Fireplace Opening Sizes with Varying Faceplate/Backing Plate Options

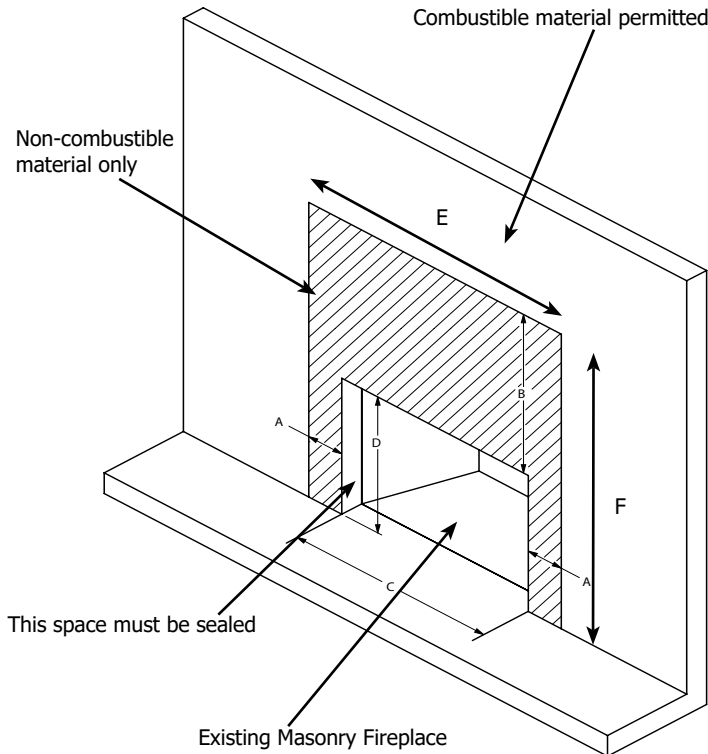


Faceplate	Dimensions				
	Minimum Install Width (A)	Minimum Install Height (B)	Minimum Install Depth (C)	Minimum Rear Width (D)	Taper Depth (E)
3-Sided Regular Faceplate	25" (635 mm)	17" (432 mm)	15" (381 mm)	15" (381 mm)	1-5/8" (42 mm)
3-Sided Regular Faceplate w/ 3-Sided Backing Plate	26-3/4" (680 mm)	18-1/4" (464 mm)	15" (381 mm)	15" (381 mm)	3-1/8" (80 mm)
3-Sided Flush Faceplate	26-1/2" (673 mm)	18" (457 mm)	16-1/4" (413 mm)	15" (381 mm)	2-5/8" (67 mm)
3-Sided Flush Faceplate w/ 3-Sided Backing Plate	26-3/4" (680mm)	18-1/8" (461mm)	16-1/8" (410mm)	15" (381mm)	4" (102mm)
4-Sided Flush Faceplate	26-1/2" (673mm)	18-1/8" (461mm)	16-1/4" (413mm)	15" (381mm)	2-5/8" (67mm)
3-Sided Finishing Trim	26-1/2" (673mm)	18" (457mm)	16-1/4" (413mm)	15" (381mm)	2-5/8" (67mm)
3-Sided Finishing Trim w/ 3-Sided Backing Plate	26-3/4" (680mm)	18-1/4" (464mm)	16-1/8" (410mm)	15" (381mm)	4-1/4" (108mm)
4-Sided Finishing Trim	26-1/2" (673mm)	18-1/8" (461mm)	16-1/4" (413mm)	15" (381mm)	2-5/8" (67mm)


Using Steel Studs and Concrete Board Over Masonry Brick Fireplace


The masonry front brick facing can be removed and replaced with non-combustible materials such as steel studs and concrete board/dura rock/micor board as per diagram 1, only if safe to do so. Steel stud may also be placed in front of the masonry brick if left in place. This is the preferred method depending on the condition of the masonry brick fireplace.

The opening between the front of the masonry firebox and non-combustible materials such as steel studs must be sealed so heat cannot run between the face of the masonry fireplace and the refacing materials. Only finishing materials such as tile, stone, brick, or similar materials that are non-combustible may be used. Use materials that are uniform so that when the unit is positioned, there are no visible gaps on the sides or top of the surround.



DIMENSIONS	
A - Horizontal clearance	6" (152 mm)
B - Vertical clearance	20" (508 mm)
C - Opening Width	26" (660 mm)
D - Opening Height	17-3/4" (451 mm)
E - Minimum Total Width	38" (965 mm)
F - Minimum Total Height	37-3/4" (959 mm)

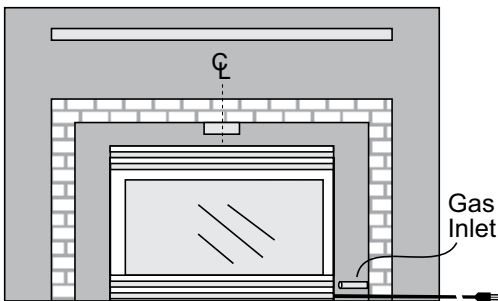
Combustible Facing Over Combustible Framing 

Non-Combustible Facing Over Non-Combustible Framing 

Gas Connection

WARNING Only people licensed to work with gas piping may make the gas connections to this appliance.

1. If the appliance is installed into an existing chimney system, thoroughly clean the masonry or factory-built fireplace.
2. The appliance has an opening on the left side of the control compartment. A 3/8" NPT gas supply pipe must be brought near the opening.
3. Locate the centre point where the vent will pass through the chimney, above the appliance. Move the appliance to the installation location. Ensure that the insert is level.
4. Do not cut any sheet metal parts of the fireplace into which the gas insert will be installed.
5. If the factory-built fireplace has no gas access hole(s), drill one of 1-1/2" (37-1/2 mm) or less through the lower sides or bottom of the firebox. The access hole must be plugged with non-combustible insulation after the gas supply line is installed.



Vertical Venting

THE APPLIANCE MUST NOT BE CONNECTED TO A CHIMNEY FLUE SERVING A SEPARATE SOLID FUEL BURNING APPLIANCE.

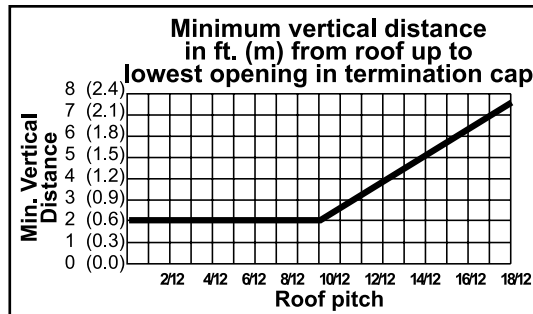
INSTALLATION WITH 3" X 3" LINERS

This appliance is designed to attach to two 3" (76 mm) co-linear aluminum flex running the full length of the chimney. The flue length must be a minimum of 10' (3.05 m) and a maximum of 35' (10.7 m) long. See the chart below for minimum distances from the roof. Periodically check that the vent is unrestricted.

Masonry chimneys may take various contours which the flexible liner will accommodate. However, keep the flexible liner as straight as possible (avoid unnecessary bending).

Attach both the exhaust and intake flue liners to both the termination cap & flue collar at the appliance with a minimum of three self-tapping screws. Use Mil-Pac sealant to seal the pipes.

The air intake pipe must be attached to the inlet air collar of the termination cap.



IMPORTANT

This appliance was tested and certified as a complete system with the noted termination caps and flex liner. Only the listed termination caps/flex liner noted below can be used. Use of termination caps or flex liners not listed in this manual will void the warranty and certification of this appliance. It is also important not to enclose the termination cap inside a masonry chimney rain cap, or similar.

NOTES

When attaching the two 3 inch (76 mm) liners to the termination cap and prior to sliding them down the chimney, it is good practice to mark the liners "exhaust" & "air intake". This prevents mixing up the liners at the flue collar connection of the appliance. If facing the appliance from the front, the air intake is located on the left and the exhaust flue on the right.



Gas & Electrical Connections

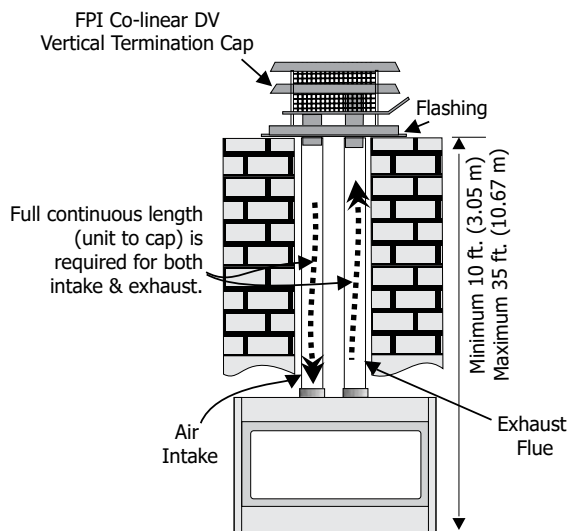
Venting

INSTALLATION WITH 3" & 3" LINERS

Part #	Description
948-305	3" Flex - 35 ft. (intake & exhaust)
946-529	Regency Co-linear DV Vertical Termination Cap & Flashing

Vent Run	Vent Restrictor Position	Burner Aeration Setting
10' to 15'	3" Open	1/4"
15' to 25'	3-1/2" Open	1/4"
25' to 35'	2-1/2" Open	1/4"

NOTE: See instructions in the "Vent Restrictor Position" section on positioning of the vent restrictor.



Alternative Approved Venting Components*

- 46DVA-VCH High Wind Cap
- 46DVA-GK 3" Co-linear Adaptor with flashing

Note: Both Air Inlet/Exhaust Liners would need to be purchased separately as they are not included. Simpson Dura-Vent pipe lengths can be added if required to meet clearance requirements.

or

- 46DVA-CL33 Co-Linear Kit w/Flex
- Note : The 46DVA-CL33 includes high wind cap, flashing & 35 foot liners for both exhaust/intake.

In areas of consistently high winds, we recommend using the Simpson Dura-Vent System 46DVA-GK adapter and 46DVA-VCH high-wind cap or 46DVA-CL33 Co-Linear Kit w/Flex. The Air Intake pipe must be attached to the inlet air collar of the termination cap.

***NOTE:** Simpson Duravent can only be used with 3" liners.

The Gi25LE is also approved for use with a 2" liner for air intake and a 3" liner for exhaust. This would be suitable for a Class A wood burning chimney with a minimum 6" round flue.

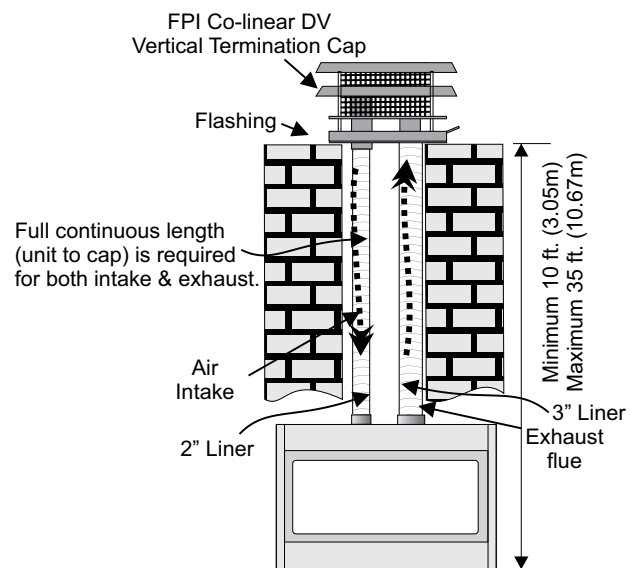
The chimney must be lined with one 2" diameter liner for intake and one 3" diameter liner for exhaust. The minimum vent length is 10' (3.05 m) and maximum is 35' (10.7 m).

INSTALLATION WITH 3" & 2" LINERS

Part #	Description
948-305	3" Flex - 35 ft. (exhaust)
948-316	2" Flex - 35 ft. (intake)
946-582	Regency Co-linear DV Vertical Termination Cap, Flashing & 2" Collar

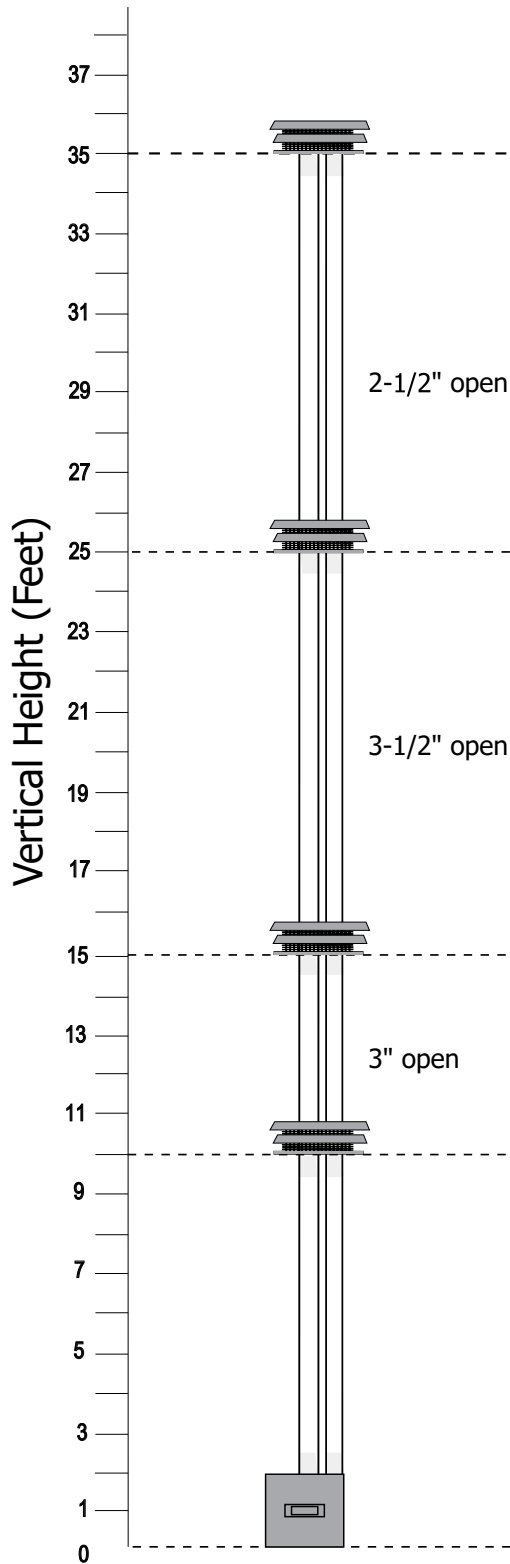
Vent Run	Vent Restrictor Position	Burner Aeration Setting
10' to 15'	4" Open	1/4"
15' to 35'	6" Open	1/4"

NOTE: See instructions in the "Vent Restrictor Position" section on positioning of the vent restrictor.

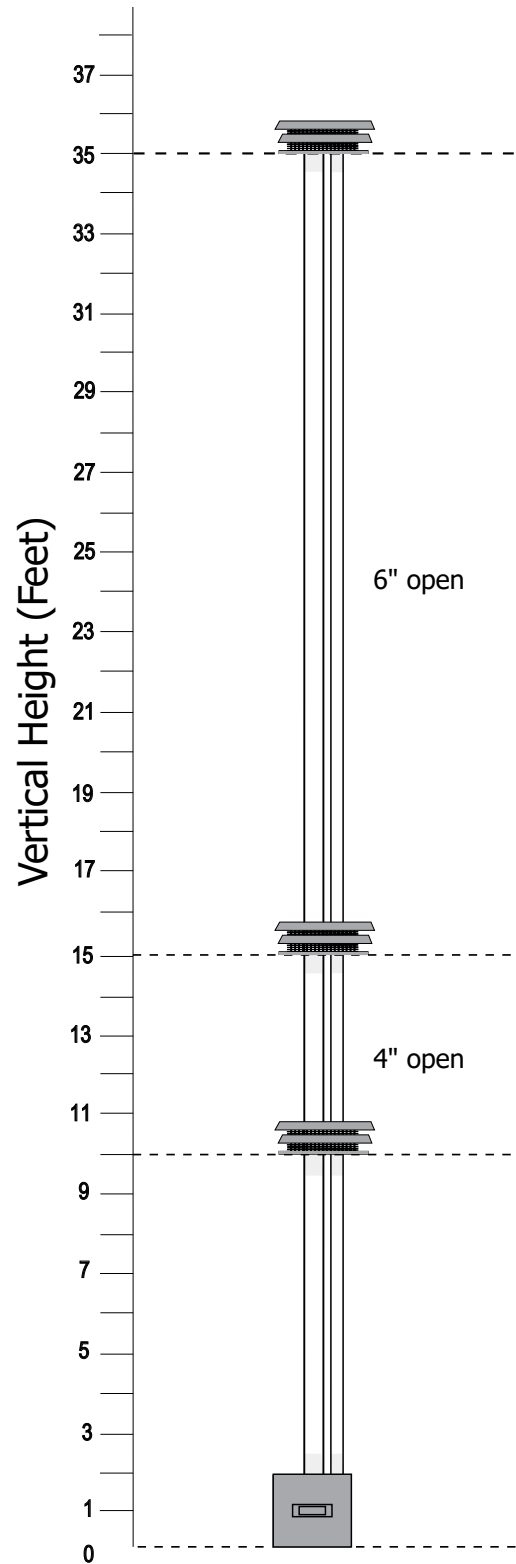


Vertical Venting/Restrictor Settings for FPI Co-Linear DV Vertical Termination Cap & Flashing (946-529)

Flex Pipe 3" x 3"



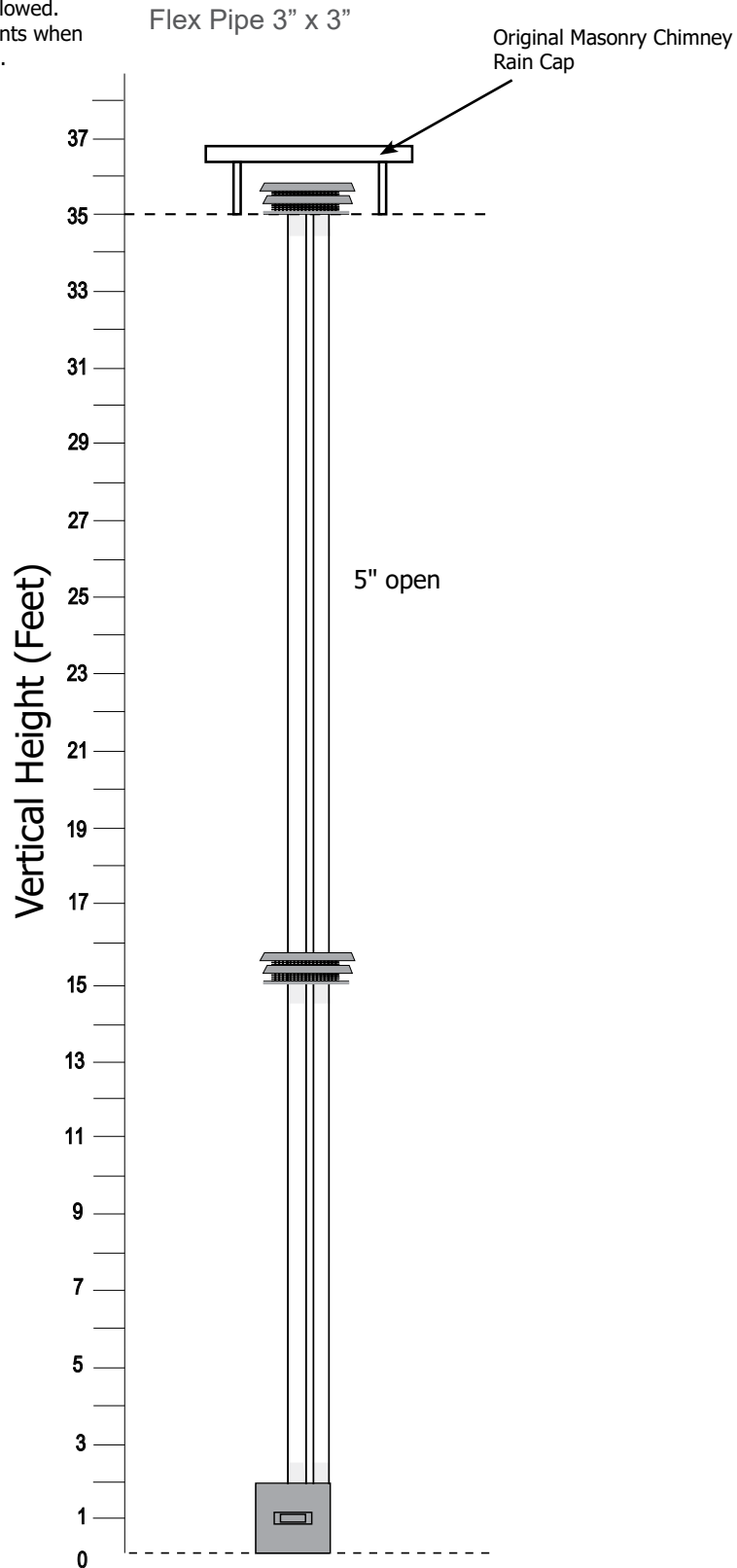
Flex Pipe 3" x 2"



Vertical Venting/Restrictor Settings for FPI Co-Linear DV Vertical Termination Cap & Flashing (946-529) Enclosed

IMPORTANT:

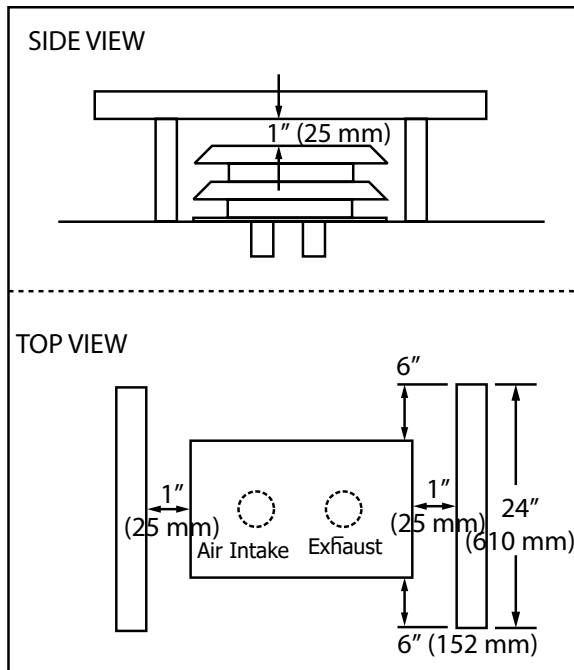
Vent cap clearances to Sides and Top must be followed. See next page for important clearance requirements when termination cap is enclosed above and on 2 sides.



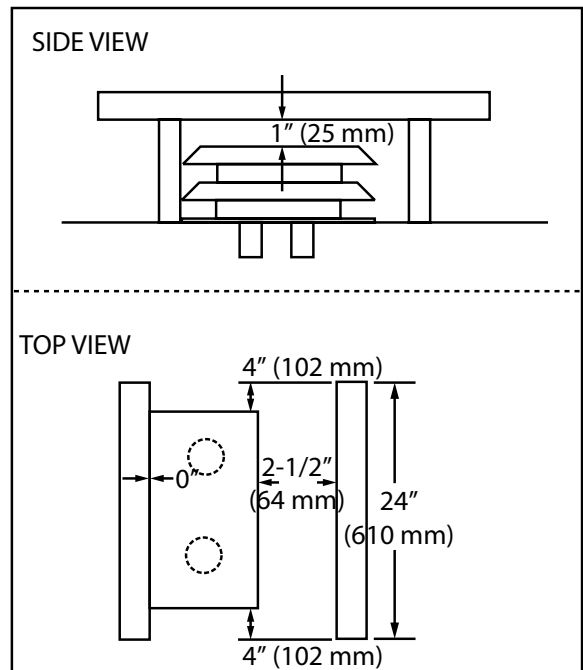
Vertical Venting/Clearance Requirements for FPI Co-Linear DV Vertical Termination Cap & Flashing (946-529) Enclosed

When installed with 46DVA-CL33 or 46DVA-GK + 46DVA-VCH + 3" FPI Flex (Exhaust/Air Intake)
 These vent kits cannot be enclosed and must be exposed on all 4 sides and above.

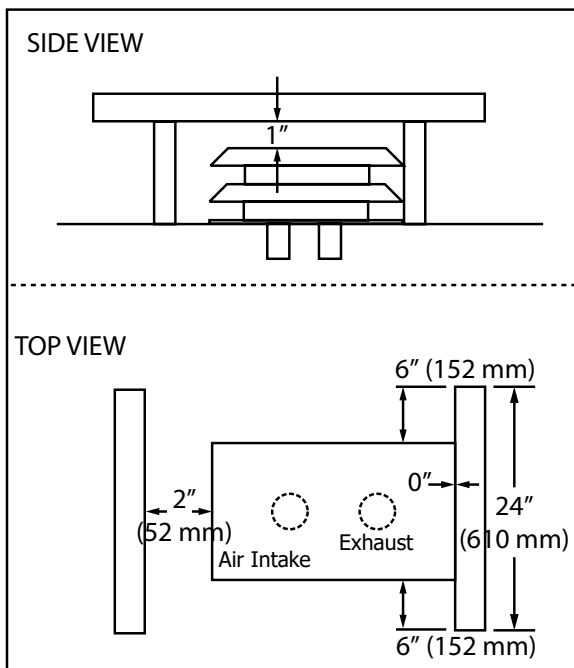
Situation 1



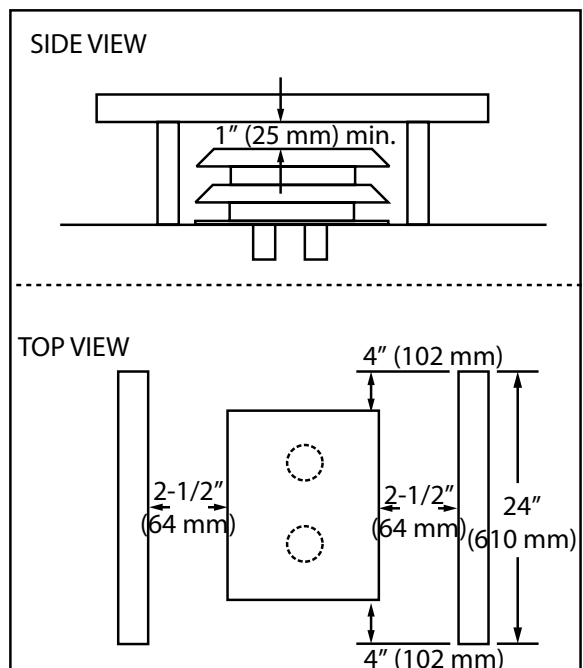
Situation 3



Situation 2



Situation 4



Note: Restrictor must be set to 5" (127 mm) open, see Restrictor Adjustment.

Vertical Venting/Restrictor Settings for Simpson Dura-Vent Termination Caps

When installed with:
 46DVA-CL33 or
 46DVA-GK + 46DVA-VCH + 3" FPI Flex (Exhaust/Air Intake)

