

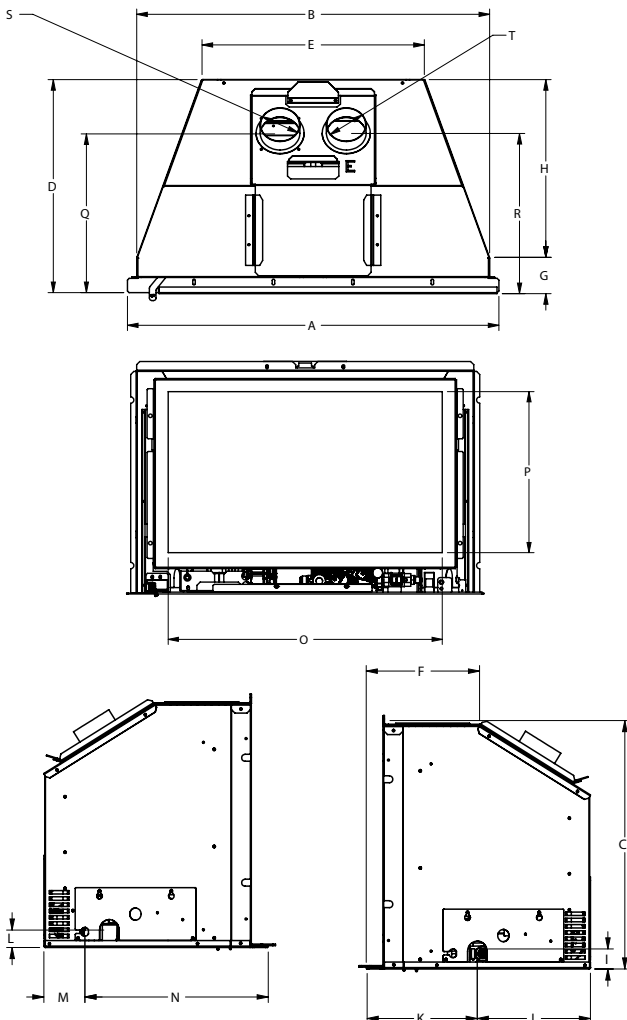
Regency® Gi27LE Gas Insert

MODEL	Gi27LE-NG	Gi27LE-LP
Fuel Type	Natural Gas	Propane
Minimum Supply Pressure	5" W.C. (1.25 kPa)	11" W.C. (2.74 kPa)
Manifold Pressure - High	3.5" W.C. (0.87 kPa)	10" W.C. (2.49 kPa)
Manifold Pressure - Low	1.6" W.C. (0.39 kPa)	6.4" W.C. (1.59 kPa)
Minimum Input	17,000 Btu/h (4.98 kW)	17,500 Btu/h (5.13 kW)
Maximum Input	25,000 Btu/h (7.33 kW)	22,000 Btu/h (6.45 kW)
Orifice Size - Altitude 0-4500 ft (0-1370m)	#42 DMS	#54 DMS
CSA P.4.1 Fireplace Efficiency (FE)	63.64%	64.17%



Fireplace Dimensions

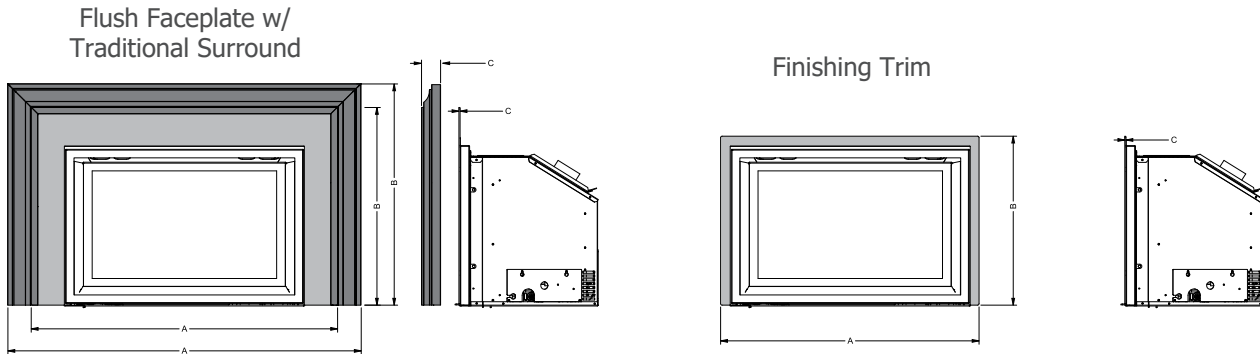
The minimum fireplace clearances and dimensions for the Regency gas insert are shown in the following diagrams:



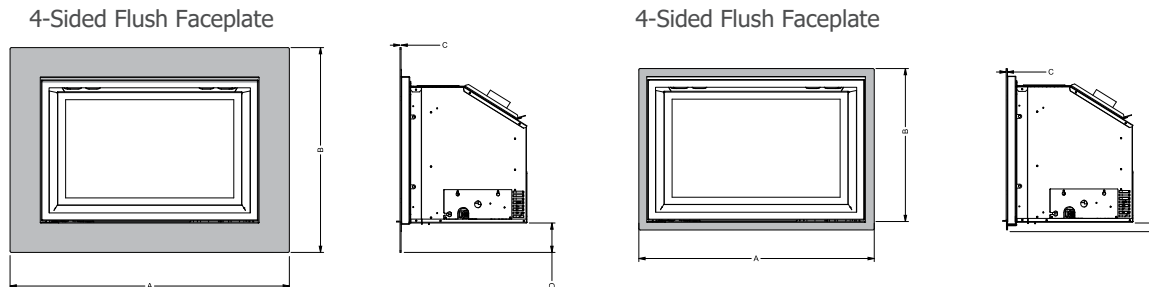
Letter	Description	Dimensions (inches)	Dimensions (mm)
A	Width	28"	711 mm
B	Outerbox Width	26-3/4"	679 mm
C	Outerbox Height	18"	457 mm
D	Outerbox Depth	16-1/4"	413 mm
E	Outerbox Rear Width	17"	432 mm
F	Front to Top Taper	8-1/4"	210 mm
G	Front to Side Taper	2-11/16"	68 mm
H	Rear to Side Taper	13-5/8"	346 mm
I	Gas Inlet Height	1-1/4"	32 mm
J	Gas Inlet Rear Depth	8-3/16"	208 mm
K	Gas Inlet Front Depth	8"	203 mm
L	Electrical Access Height	1-1/8"	29 mm
M	Electrical Access Rear Depth	3"	76 mm
N	Electrical Access Front Depth	13-1/4"	337 mm
O	Glass Viewing Area Width	21-1/2"	546 mm
P	Glass Viewing Area Height	12-5/8"	321 mm
Q	Front to Intake	11-15/16"	303 mm
R	Front to Exhaust	11-15/16"	303 mm
S	Intake Diameter	3"	76 mm
T	Exhaust Diameter	3"	76 mm

Faceplate Dimensions

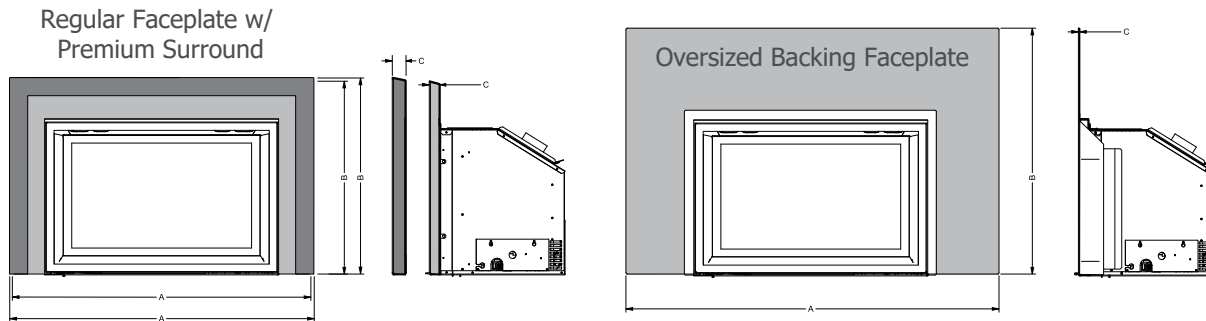
Three-Sided Flush Faceplate



Four-Sided Flush Faceplate



Regular Faceplate w/Premium Surround

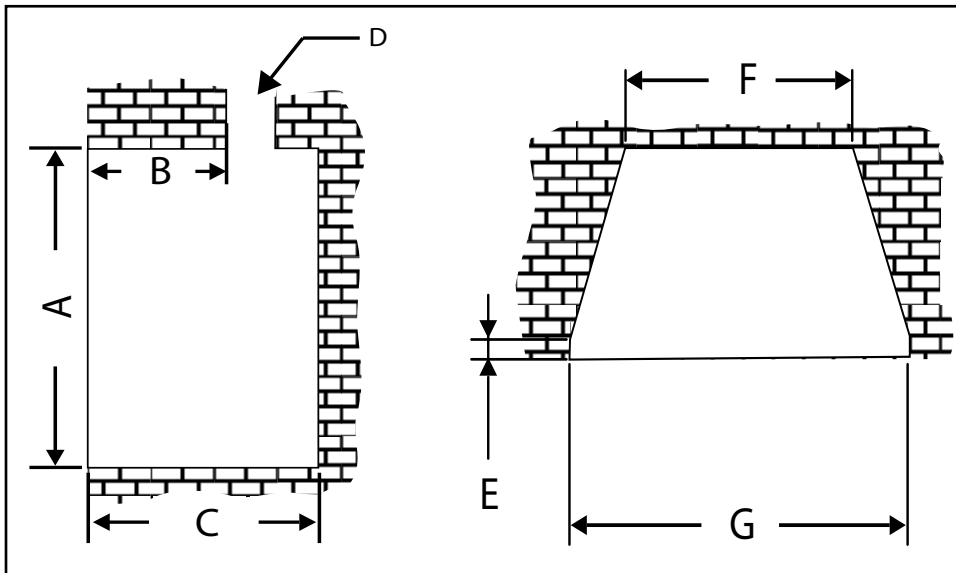


Faceplate	Dimensions			
	Width (A)	Height (B)	Depth (C)	Bottom Height (D)
Regular Faceplate	35-3/4" (908 mm)	23-1/4" (591 mm)	1-1/4" (32 mm)	-
Regular Faceplate w/ Premium Surround	36-1/2" (927 mm)	23-1/2" (597 mm)	1-11/16" (43 mm)	-
Flush Faceplate	35-3/4" (908 mm)	23-1/4" (591 mm)	1/8" (3 mm)	-
Flush Faceplate w/ Traditional Surround	41-5/16" (1049 mm)	26" (660 mm)	2-1/4" (57 mm)	-
4-Sided Flush Faceplate	35-3/4" (908 mm)	26-3/8" (670 mm)	1/8" (3 mm)	3-5/8" (92 mm)
Finishing Trim	31-7/8" (810 mm)	19-3/4" (502 mm)	1/16" (2 mm)	-
4-Sided Finishing Trim	30-1/4" (768 mm)	21" (533 mm)	1/16" (2 mm)	1-1/8" (29 mm)
Oversized Backing Plate	44-5/8" (1134 mm)	29-5/8" (737 mm)	1/8" (3 mm)	-
3-Sided Custom Backing Plate	30-1/4" - 56-7/8" (768 mm - 1445 mm)	19-3/4" - 44-7/8" (502 mm - 1118 mm)	1/8" (3 mm)	-
4-Sided Custom Backing Plate	30-1/4" - 69" (768 mm - 1753 mm)	22-1/8" - 45" (562 mm - 1143 mm)	1/8" (3 mm)	2-1/8" minimum (54 mm min.)

Minimum Fireplace Dimensions

The minimum fireplace clearances & dimensions for the Regency gas insert are shown in the following diagram:

NOTE Also, see minimum fireplace opening sizes with varying faceplate, finishing trim, and backing plate options on the next page.



A Height	B Max. Lintel Bar Depth	C Depth	D Damper Opening	E Front Depth to Taper	F Width (rear)	G Width (front)
18" (432 mm)	10-1/2" (267 mm)	15" (381 mm)	8" x 4" min. (203 mm x 102 mm)	1-5/8" (41 mm)	17-1/2" (445 mm)	27" (686 mm)

Minimum Clearances to Combustibles

The clearances listed below are minimum distances unless otherwise stated.

A major cause of fires is failure to maintain required clearances (airspace) to combustible materials. It is of the greatest importance that this decorative gas appliance is installed only in accordance with these instructions.

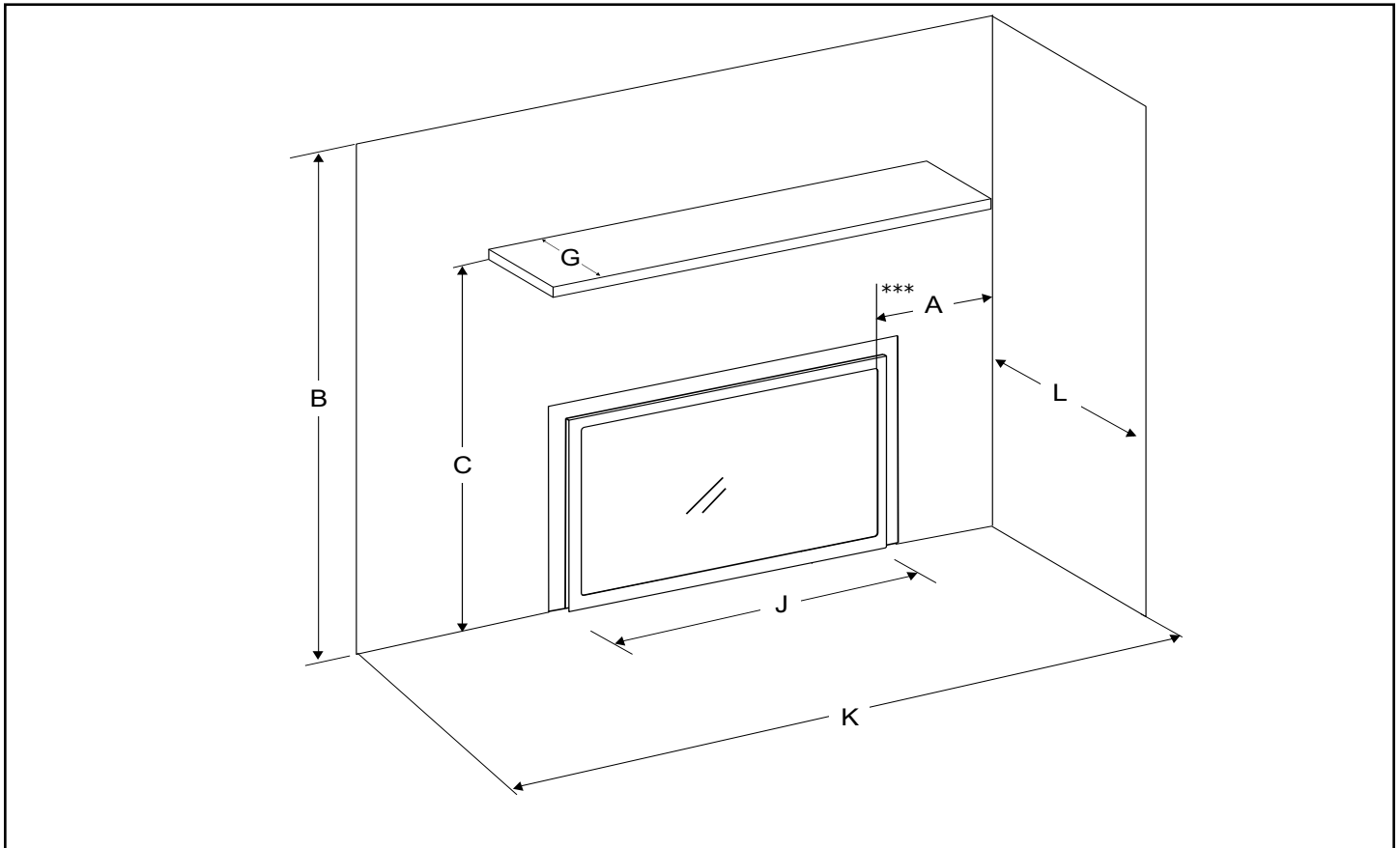


Diagram 1

Clearance	Dimension	Measured From:
A: Sidewall	8" / 203 mm	***From inside edge of faceplate / doors
B: Ceiling	60" / 1524 mm	From base of unit
C: Mantel Height**	15" / 381 mm	From base to mantel bottom
G: Mantel Depth (Max.)**	12" / 305 mm	From wall to mantel front face
K: Min. Alcove Width	54" / 1372 mm	
L: Max. Alcove Depth	36" / 914 mm	From the front of the unit.

**Note: For complete detailed mantel clearances with and without mantel deflector, see next page.

NOTES

- *An optional 2-1/2" (64 mm) mantel deflector reduces the mantel height to 10" (254 mm) from the top of the unit @ 9" (229 mm) depth.
- (J): ***Measured from the inside edge of the faceplate/doors - reference only: 27-3/4" (705 mm)

Mantel Clearances Without Mantel Deflector

Mantel Clearances With 2-1/2" (64 mm) Mantel Deflector

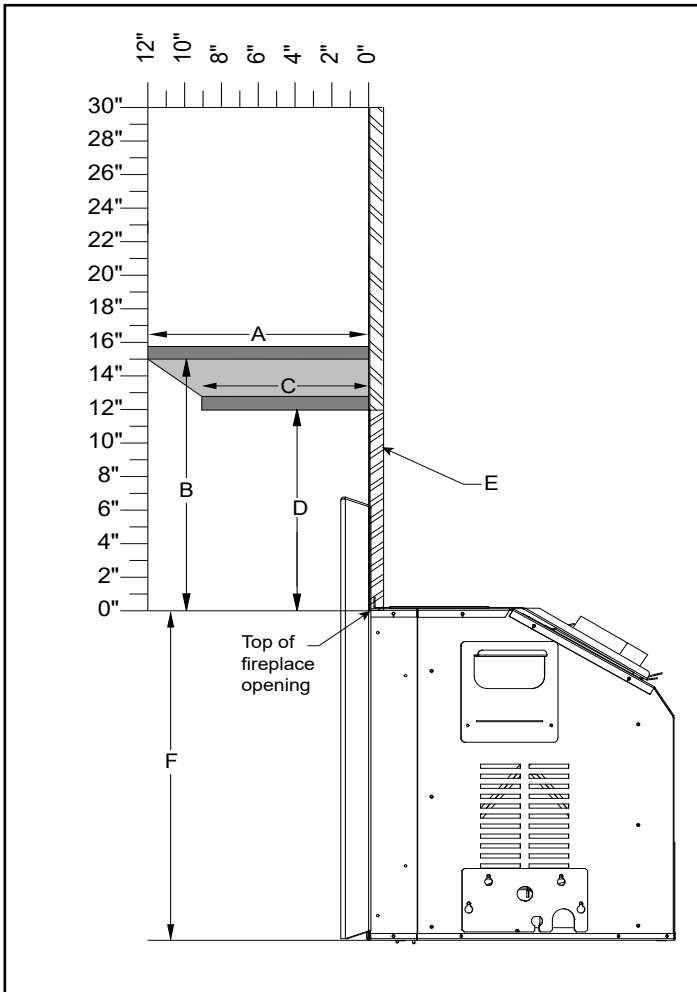


Diagram 1

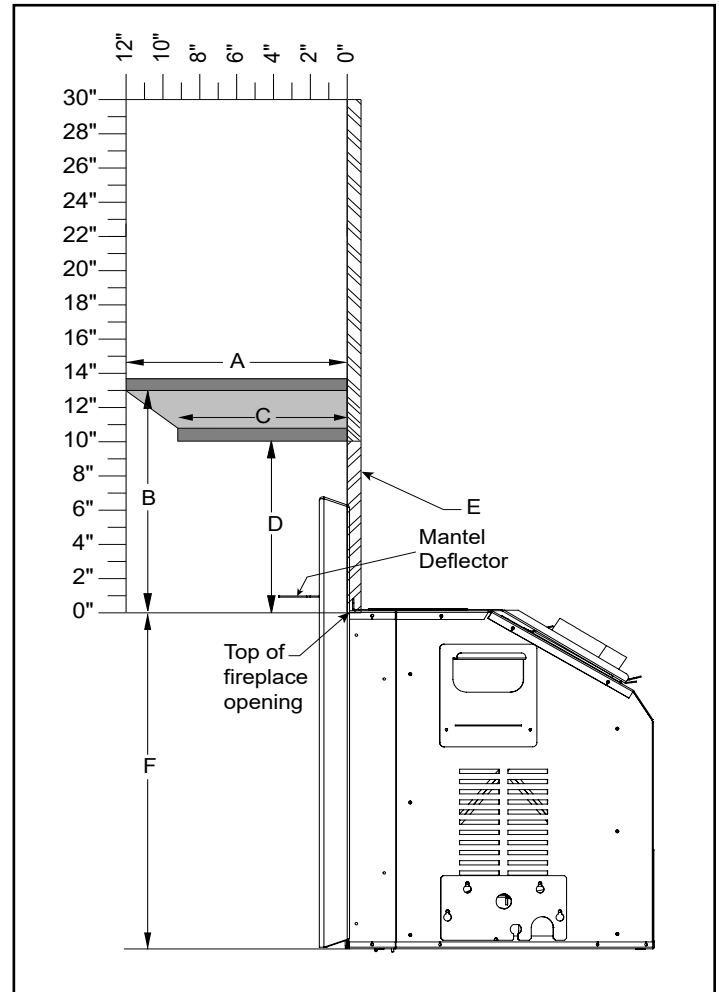


Diagram 2

A	12" (305 mm)
B	15" (381 mm)
C	9" (229 mm)

D	12" (305 mm)
E	Non Combustible Materials
F	18" (457 mm) to base of unit

A	12" (305 mm)
B	13" (330 mm)
C	9" (229 mm)

D	10" (254 mm)
E	Non Combustible
F	18" (457 mm) to base of unit

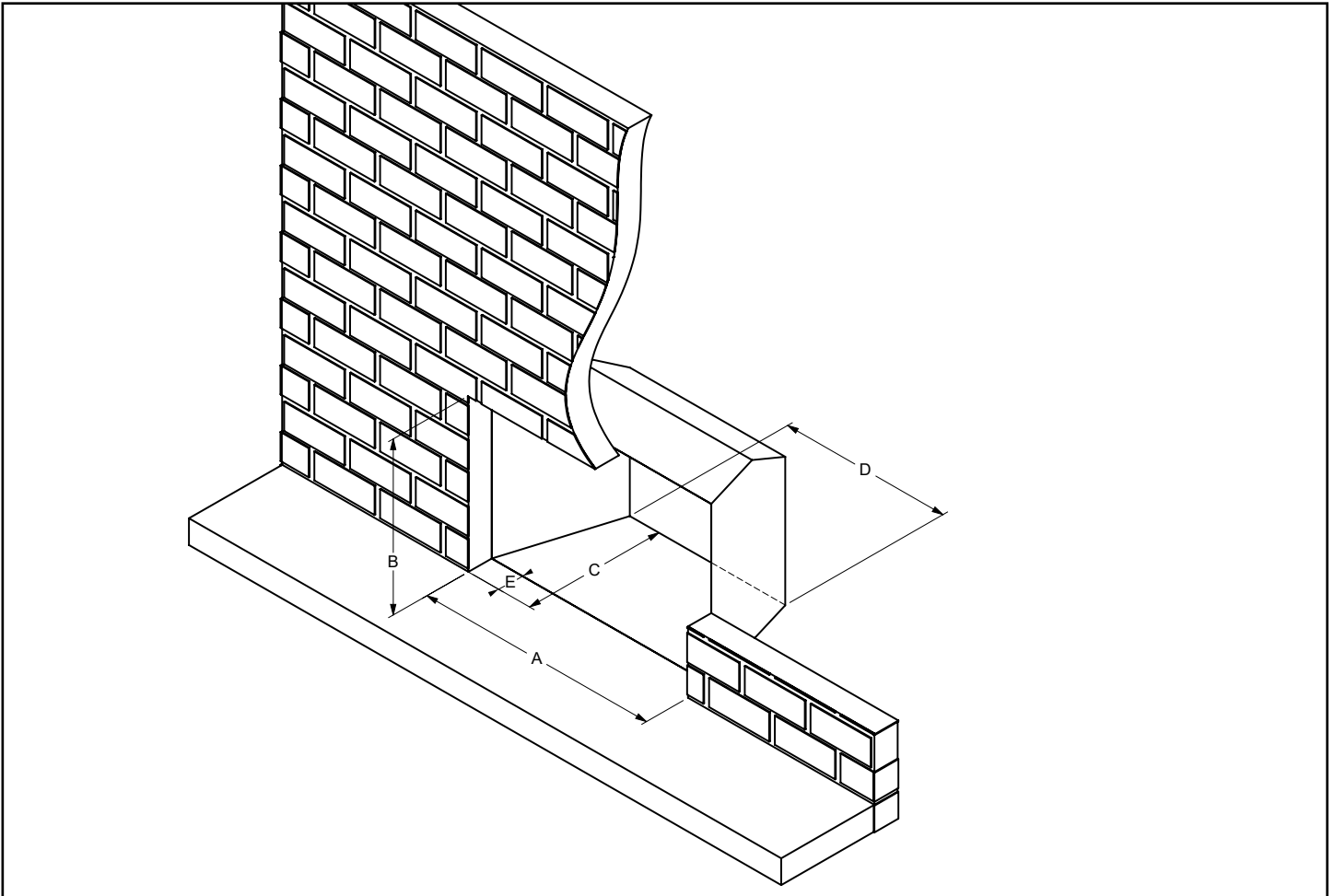
WARNING

Although this appliance passes safety certification, the hearth in front of the fireplace becomes very hot when the fireplace heats. Do not use the hearth as a seat or shelf.

NOTES

- A 2-1/2" (64 mm) mantel deflector reduces mantel height to 28" (711 mm) from the bottom of the unit at 9" (229 mm) depth.
- A non-combustible mantel may be installed at a lower height if the framing is made of metal studs covered with a non-combustible board. The non-combustible mantel, when installed at a lower overall height, may not be lower than 6" (152 mm) from the top of the fireplace opening.
- All material used must be non-combustible.

Minimum Fireplace Opening Sizes with Varying Faceplate/Backing Plate Options



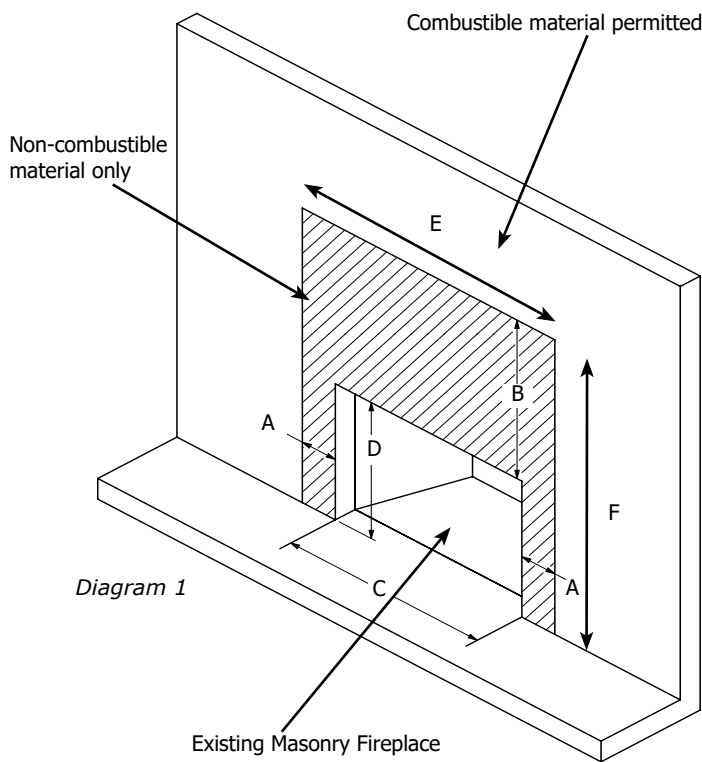
Faceplate	Dimensions				
	Minimum Install Width (A)	Minimum Install Height (B)	Minimum Install Depth (C)	Minimum Rear Width (D)	Taper Depth (E)
Regular Faceplate	27" (686 mm)	18" (457 mm)	15" (381 mm)	17-1/2" (445 mm)	1-5/8" (42 mm)
Regular Faceplate w/ Backing Plate	29" (737 mm)	19-1/4" (489 mm)	14-7/8" (378 mm)	17-1/2" (445 mm)	3-1/8" (80 mm)
Regular Faceplate w/ Premium Surround	27" (686 mm)	18" (457 mm)	15" (381 mm)	17-1/2" (445 mm)	1-1/2" (38 mm)
Regular Faceplate w/ Premium Surround and Backing Plate	29" (737 mm)	19-1/4" (489 mm)	14-7/8" (378 mm)	17-1/2" (445 mm)	1-3/8" (35 mm)
Flush Faceplate	28-1/2" (724 mm)	19" (483 mm)	16-1/4" (413 mm)	17-1/2" (445 mm)	2-5/8" (67 mm)
Flush Faceplate w/Traditional Surround	27" (686 mm)	18" (457 mm)	14-1/4" (362 mm)	17-1/2" (445 mm)	3/4" (19 mm)
Flush Faceplate w/Traditional Surround and Backing Plate	29" (737 mm)	19-1/4" (489 mm)	14-1/8" (359 mm)	17-1/2" (445 mm)	5/8" (16 mm)
Flush Faceplate w/ Backing Plate	29" (737 mm)	19-1/4" (489 mm)	16-1/8" (410 mm)	17-1/2" (445 mm)	4-3/8" (111 mm)
4-Sided Flush Faceplate	28-1/2" (724 mm)	19-1/4" (489 mm)	16-1/4" (413 mm)	17-1/2" (445 mm)	2-5/8" (67 mm)
Finishing Trim	28-1/2" (724 mm)	19" (483 mm)	16-1/4" (413 mm)	17-1/2" (445 mm)	2-5/8" (67 mm)
Finishing Trim w/ Backing Plate	29" (737 mm)	19-1/4" (489 mm)	16-1/8" (410 mm)	17-1/2" (445 mm)	4-1/2" (114 mm)
4-Sided Finishing Trim	28-1/2" (724 mm)	19-1/4" (489 mm)	16-1/4" (413 mm)	17-1/2" (445 mm)	2-5/8" (67 mm)

Using Steel Studs and Concrete Board Over Masonry Brick Fireplace


The masonry front brick facing can be removed and replaced with non-combustible materials such as steel studs and concrete board/dura rock/micor board as per diagram 1, only if safe to do so. Steel stud may also be placed in front of the masonry brick if left in place. This is the preferred method depending on the condition of the masonry brick fireplace.


The opening between the front of the masonry firebox and non-combustible materials such as steel studs must be sealed so heat cannot run between the face of the masonry fireplace and the refacing materials. Only finishing materials such as tile, stone, brick, or similar materials that are non-combustible may be used. Use materials that are uniform so that when the unit is positioned, there are no visible gaps on the sides or top of the surround.

IMPORTANT Opening height, width and depth will vary depending on which Faceplate & Backing plate is used. See Minimum Fireplace Opening Sizes with Varying Faceplate/Backing Plate Options in this manual for details.



DIMENSIONS	
A - Horizontal clearance	8" (203 mm)
B - Vertical clearance	20" (508 mm)
C - Opening Width*	28" min. (711 mm)
D - Opening Height*	18-3/4" min. (476 mm)
E - Minimum Total Width	44" (1118 mm)
F - Minimum Total Height	38-3/4" (984 mm)

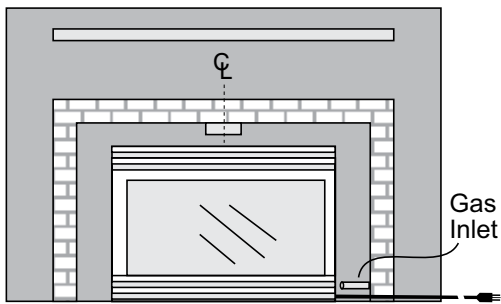
Combustible Facing Over Combustible Framing 

Non-Combustible Facing Over Non-Combustible Framing 

Gas Connection

WARNING Only people licensed to work with gas piping may make the gas connections to this appliance.

1. If the appliance is installed into an existing chimney system, thoroughly clean the masonry or factory-built fireplace.
2. The appliance has an opening on the right side of the control compartment. A 3/8" NPT gas supply pipe must be brought near the opening.
3. Locate the centre point where the vent will pass through the chimney, above the appliance. Move the appliance to the installation location. Ensure that the insert is level.
4. Do not cut any sheet metal parts of the fireplace into which the gas insert will be installed.
5. If the factory-built fireplace has no gas access hole(s), drill one of 1-1/2" (37-1/2 mm) or less through the lower sides or bottom of the firebox. The access hole must be plugged with non-combustible insulation after the gas supply line is installed.



Vertical Venting

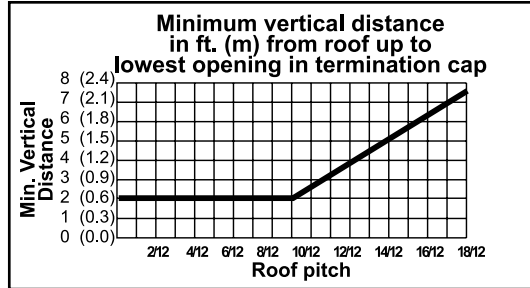
THE APPLIANCE MUST NOT BE CONNECTED TO A CHIMNEY FLUE SERVING A SEPARATE SOLID FUEL BURNING APPLIANCE.

This appliance is designed to attach to two 3" (76 mm) co-linear aluminum flex running the full length of the chimney. The flue length must be a minimum of 8' (2.44 m) (Depending on the installation and type of termination cap used, the minimum height requirement may be higher so see full details in this manual) and a maximum of 35' (10.7 m) long. See the chart for minimum distances from the roof. Periodically check that the vent is unrestricted.

Masonry chimneys may take various contours which the flexible liner will accommodate. However, **keep the flexible liner as straight as possible** (avoid unnecessary bending).

Attach both the exhaust and intake flue liners to both the termination cap & flue collar at the appliance with a minimum of three self-tapping screws. Use Mil-Pac sealant to seal the pipes.

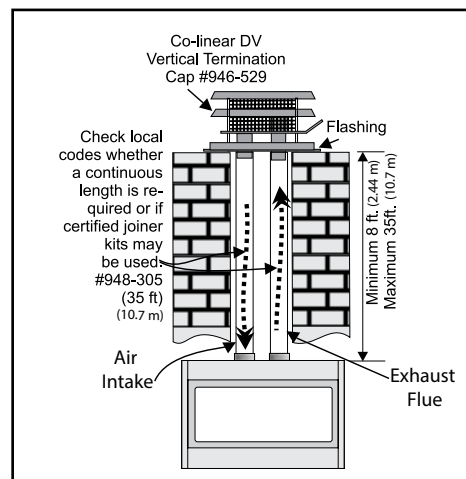
The air intake pipe must be attached to the inlet air collar of the termination cap.



IMPORTANT This appliance was tested and certified as a complete system with the noted termination caps and flex liner. Only the listed termination caps/flex liner noted below can be used. Use of termination caps or flex liners not listed in this manual will void the warranty and certification of this appliance. It is also important not to enclose the termination cap inside a masonry chimney rain cap, or similar. The termination must be exposed on all four sides and above to exhaust and draw air into the firebox. There is an exception as the 946-529 Co-linear DV Vertical Termination Cap may be enclosed inside of a masonry chimney rain cap as long as it meets the requirement. See full details in this instruction manual.

Part #	Description
948-305	3" Flex - 35 ft.
946-529	Co-linear DV Vertical Termination Cap

NOTES When attaching the two 3 inch (76 mm) liners to the termination cap and prior to sliding them down the chimney, it is good practice to mark the liners "exhaust" & "air intake". This prevents mixing up the liners at the flue collar connection of the appliance. If facing the appliance from the front, the air intake is located on the left and the exhaust flue on the right.



Alternate Approved Vertical Termination Caps/Adaptor

Alternate Approved Caps

46DVA-VCH Vertical High Wind Cap

AND

46DVA-GK 3" Co-linear Adaptor with flashing

Note: Both Air Inlet/Exhaust Liners would need to be purchased separately as they are not included with this option.

OR

46DVA-CL33 Co-Linear Kit w/Flex

Note : The 46DVA-CL33 includes high wind cap,flashing & 35 foot liners for both exhaust/intake.

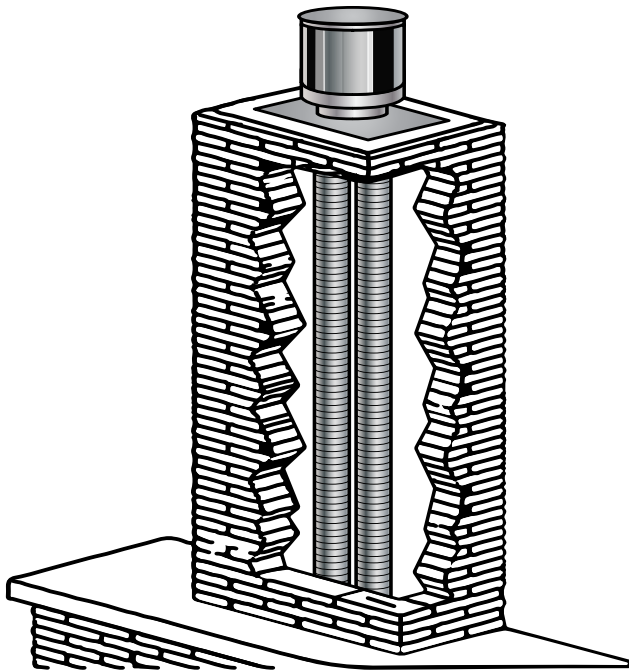
In areas of consistently high winds, we recommend using the Simpson Dura-Vent System 46DVA-GK adaptor and 46DVA-VCH high-wind cap or 46DVA-CL33 Co-Linear Kit w/Flex.

The Air Intake pipe must be attached to the inlet air collar of the termination cap.

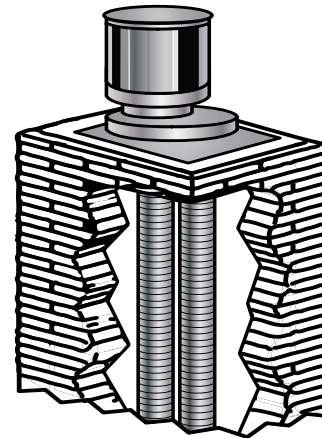
Note: Simpson Duravent pipe lengths can be added if required to meet clearance requirements.

The air intake pipe must be attached to the inlet air collar of the termination cap.

46DVA-CL33: Vertical High Wind Cap



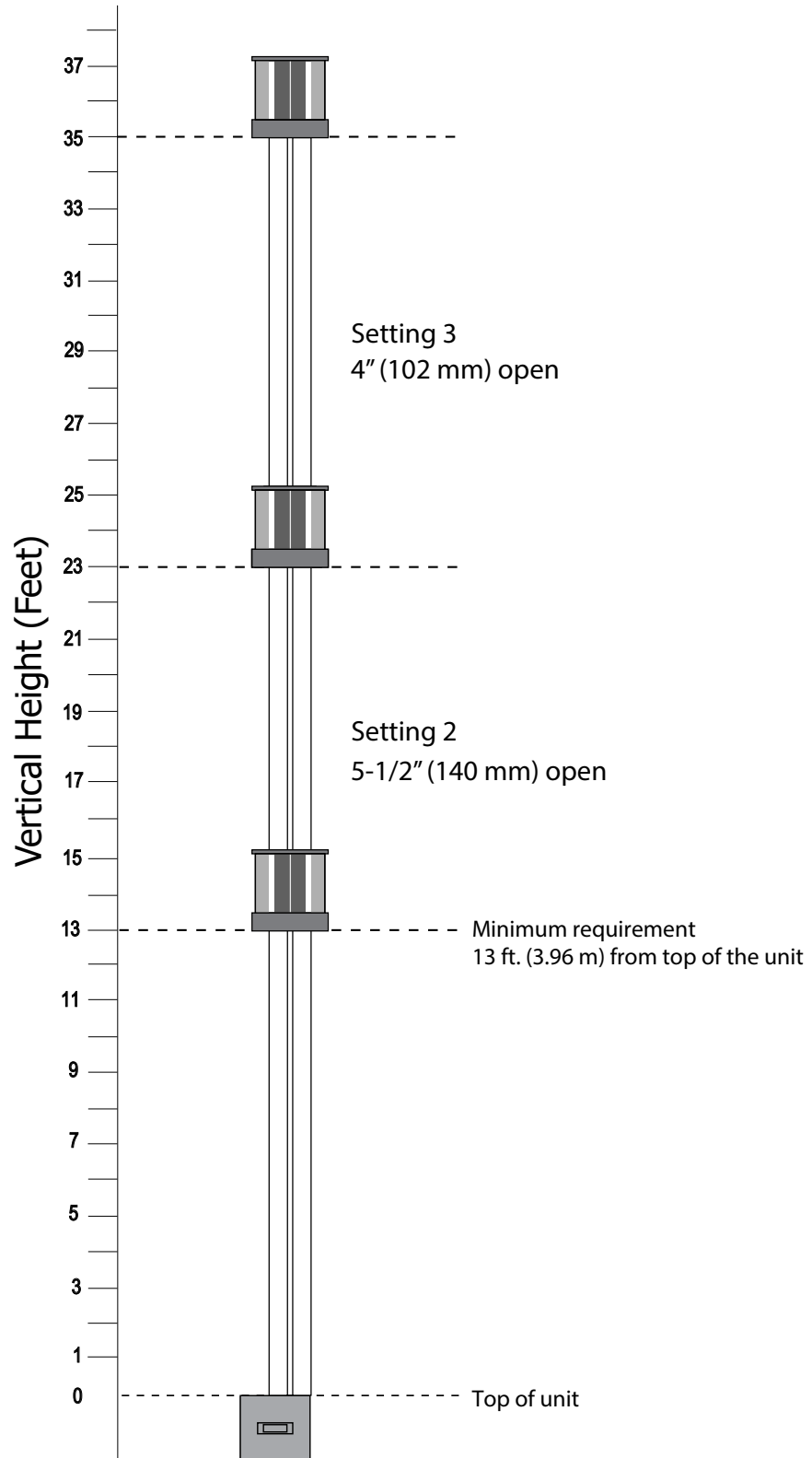
46DVA-VCH: Vertical High Wind Cap
46DVA-GK: 3" Co-linear Adaptor with flashing



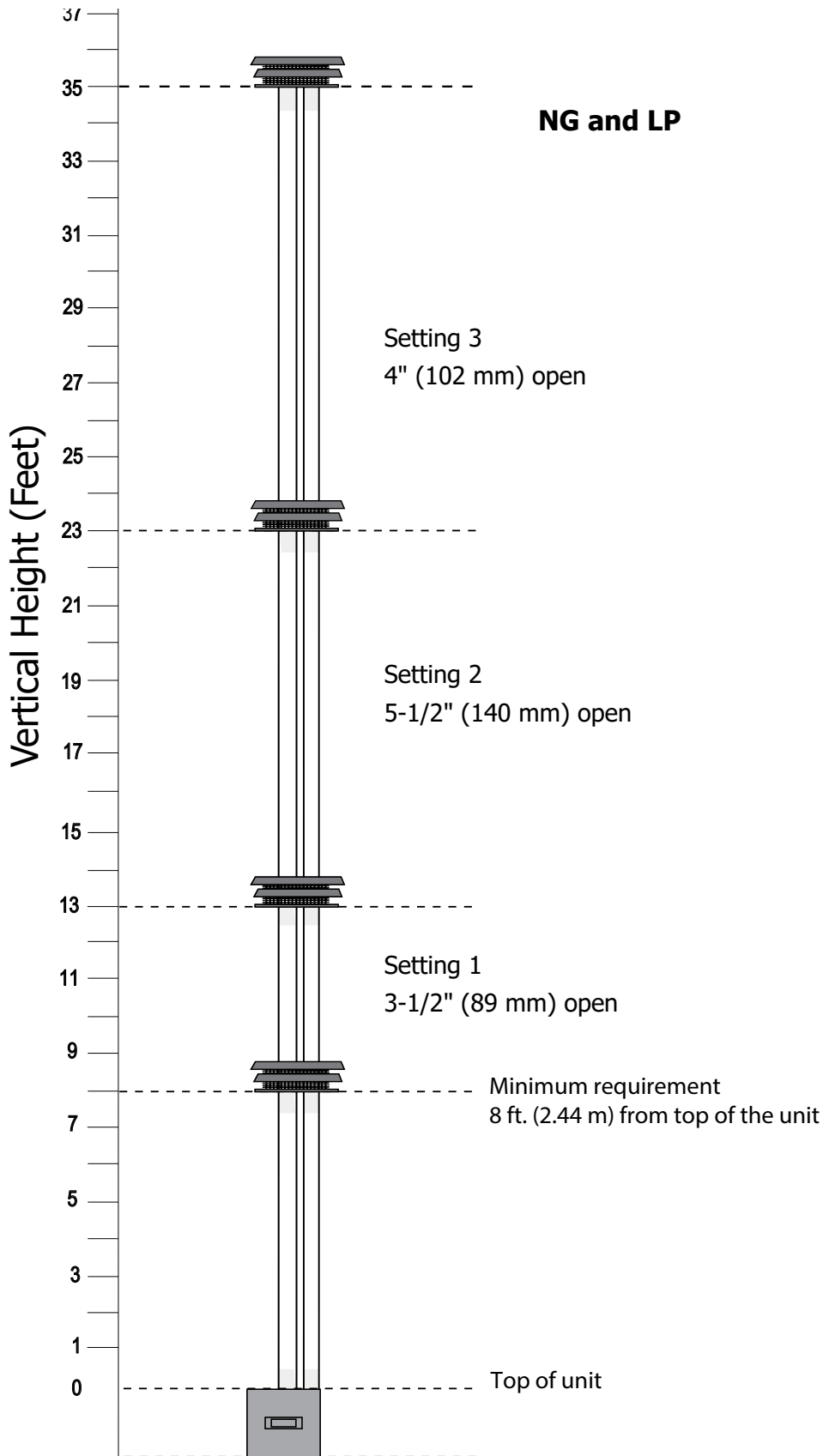
Vertical Venting/Restrictor Settings for Simpson Dura-Vent Termination Caps

When installed with:
 46DVA-CL33 or
 46DVA-GK + 46DVA-VCH + 3" FPI Flex (Exhaust/Air Intake)

NG and LP



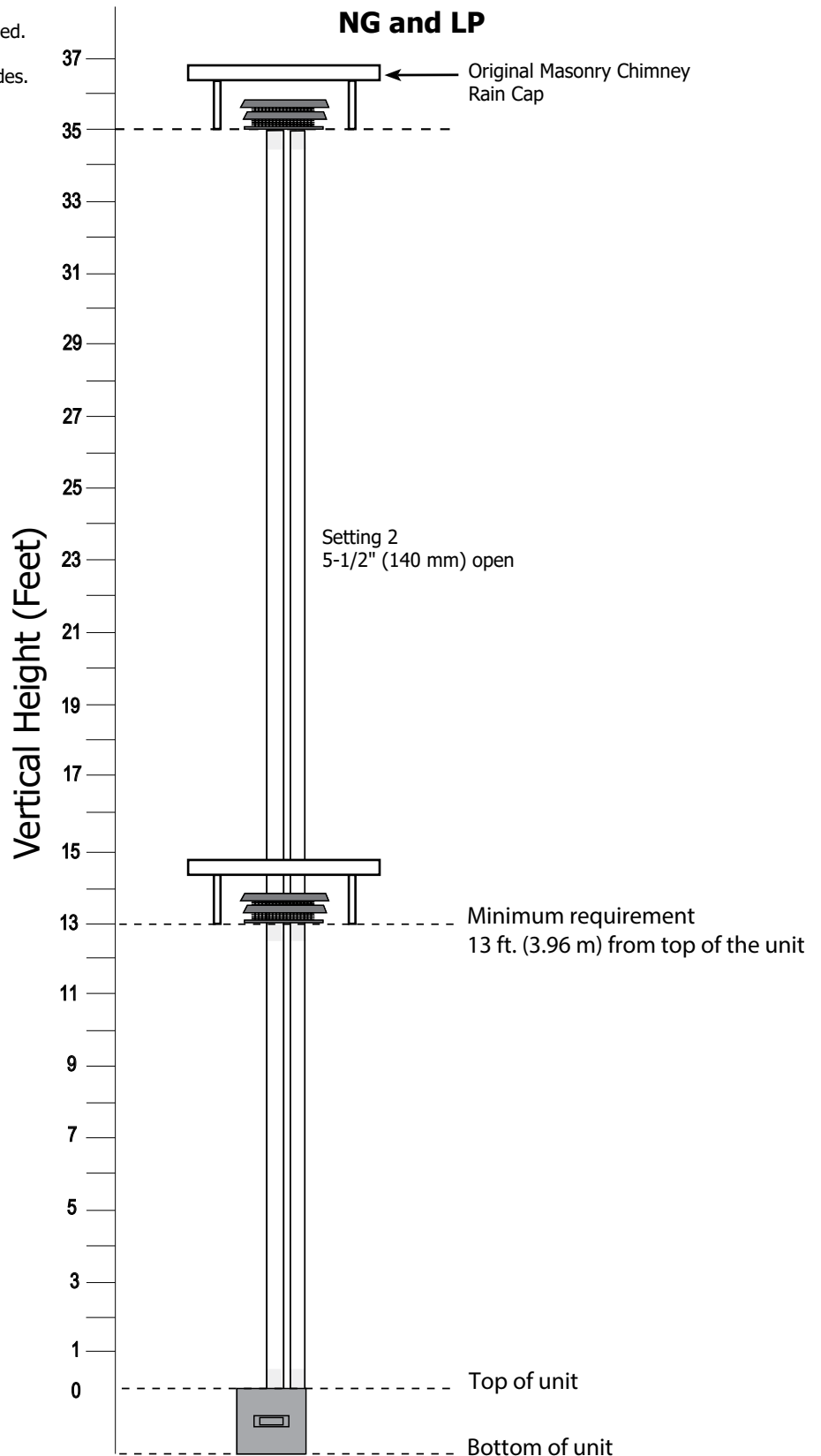
Vertical Venting/Restrictor Settings for FPI Co-Linear DV Vertical Termination Cap & Flashing (946-529)



Vertical Venting / Restrictor Settings for FPI Co-Linear DV Vertical Termination Cap & Flashing (946-529) Enclosed

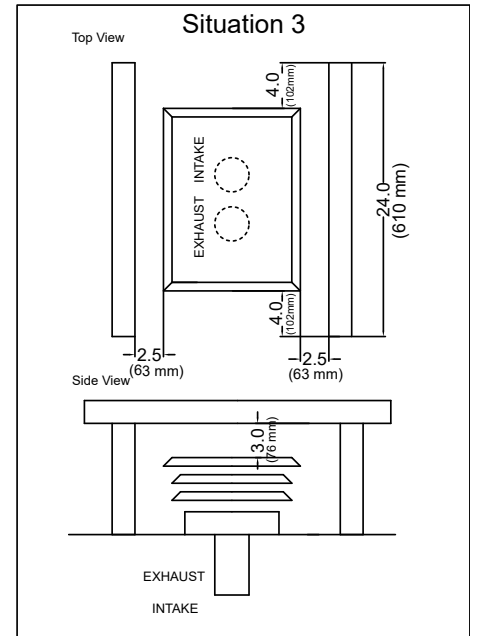
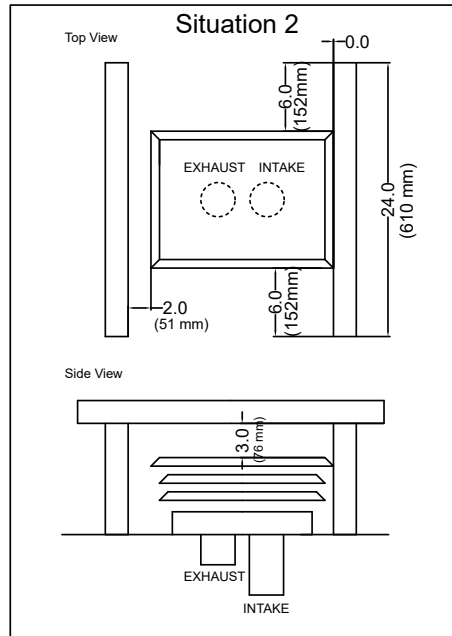
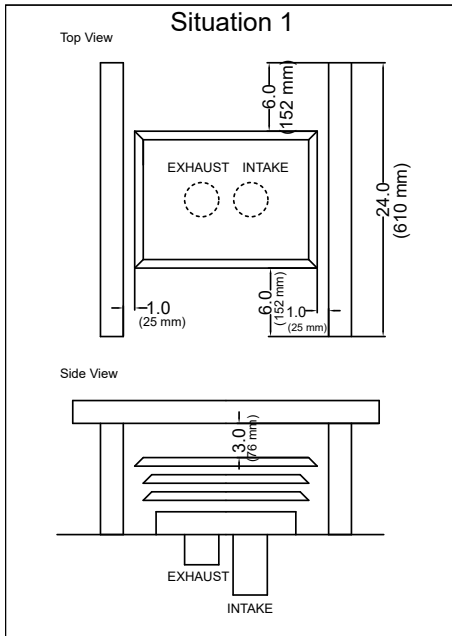
IMPORTANT:

Vent cap clearances to Sides and Top must be followed. See next page for important clearance requirements when termination cap is enclosed above and on 2 sides. Not approved for use with either the 46DVA-CL33 or 46DVA-GK + 46DVA-VCH Termination Caps/Adaptor



Vertical Venting/Clearance Requirements for FPI Co-Linear DV Vertical Termination Cap & Flashing (946-529) Enclosed

When installed with 46DVA-CL33 or 46DVA-GK + 46DVA-VCH + 3" FPI Flex (Exhaust/Air Intake), the clearances below do not apply, all noted caps must be free and clear of obstructions on all sides.



Note: Restrictor must be set to 5" (127 mm) open, see Restrictor Adjustment.