

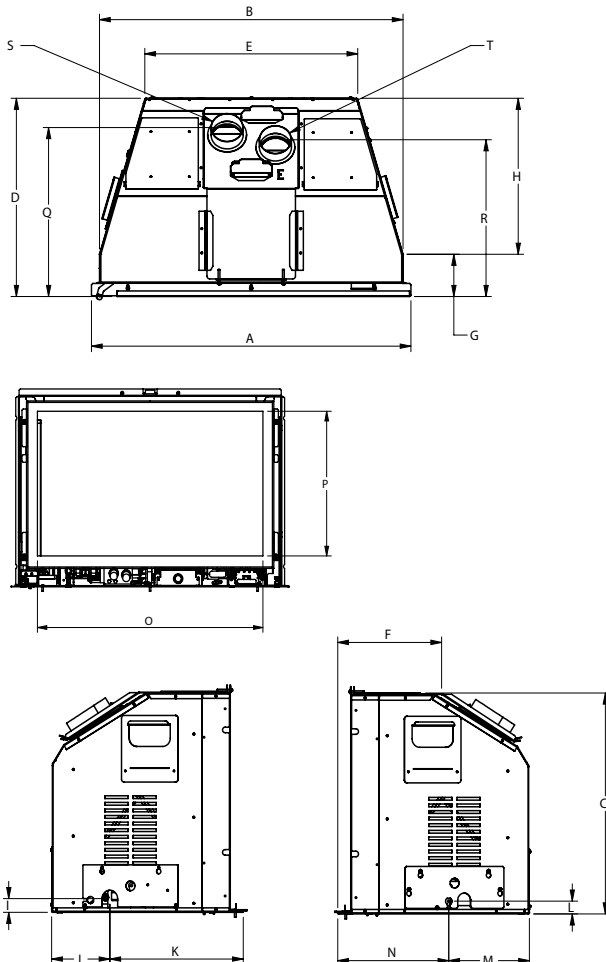
# Regency® Gi29L Gas Insert

MODEL	Gi29L-NG	Gi29L-LP
Fuel Type	Natural Gas	Propane
Minimum Supply Pressure	5" W.C. (1.25 kPa)	11" W.C. (2.74 kPa)
Manifold Pressure - High	3.8" W.C. (0.94 kPa)	10.5" W.C. (2.62 kPa)
Manifold Pressure - Low	1.1" W.C. (0.27 kPa)	2.9" W.C. (0.72 kPa)
Orifice Size -Altitude 0-4500 ft	#38 DMS (0-2000 ft.) #39 DMS (2000 - 4500 ft.)	#52 DMS
Min. Input (0-2000 ft.) Min. Input (2000-4000 ft.)	17,000 Btu/h (4.98 kW) 16,500 Btu/h (4.83 kW)	17,000 Btu/h (4.98 kW)
Maximum Input (0-2000 ft.) Maximum Input (2000-4500 ft.)	31,500 Btu/h (9.22 kW) 30,500 Btu/h (8.93 kW)	31,500 Btu/h (9.22 kW)
Vent Sizing	3" (76 mm) x 3" (76 mm) Co-linear (Standard)	3" (76 mm) x 3" (76 mm) Co-linear (Standard)
CPA P.4.1	63.88%	62.33%



## Minimum Fireplace Dimensions

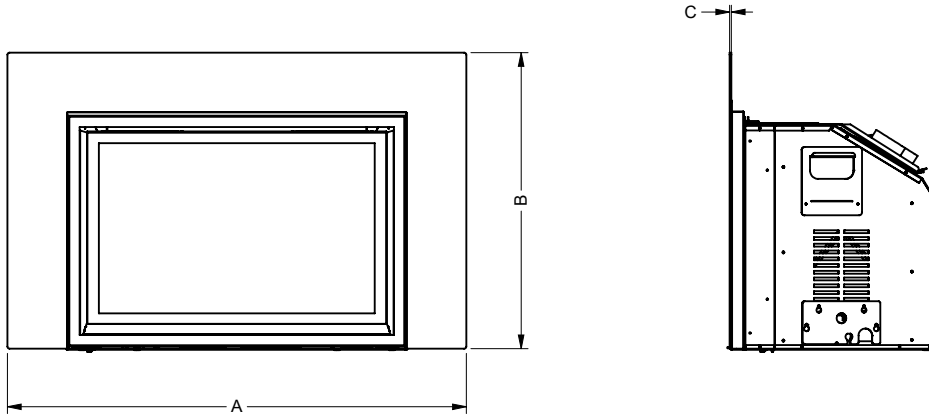
The minimum fireplace clearances and dimensions for the Regency gas insert are shown in the following diagrams.



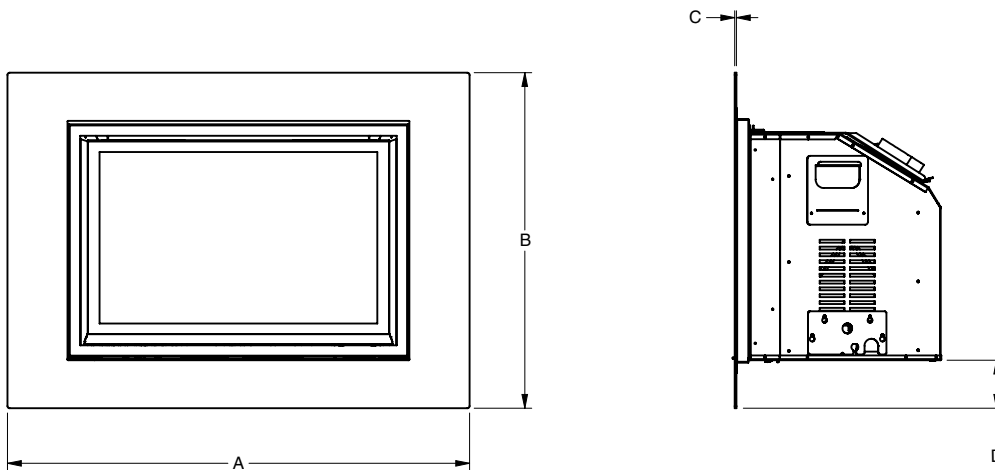
Letter	Description	Dimensions (inches)	Dimensions (mm)
A	Width	29-3/4"	756 mm
B	Outerbox Width	28-5/16"	719 mm
C	Outerbox Height	20-1/4"	514 mm
D	Outerbox Depth	17-7/8"	454 mm
E	Outerbox Rear Width	20"	508 mm
F	Front to Top Taper	8-3/8"	213 mm
G	Front to Side Taper	3-13/16"	97 mm
H	Rear to Side Taper	14-1/16"	357 mm
I	Gas Inlet Height	1-1/4"	32mm
J	Gas Inlet Rear Depth	5-1/2"	140 mm
K	Gas Inlet Front Depth	12-7/16"	316 mm
L	Electrical Access Height	1-1/8"	29 mm
M	Electrical Access Rear Depth	7-1/2"	191 mm
N	Electrical Access Front Depth	10-3/8"	264 mm
O	Glass Viewing Area Width	24-1/8"	613 mm
P	Glass Viewing Area Height	15"	381 mm
Q	Front to Intake	15-1/16"	383 mm
R	Front to Exhaust	14"	356 mm
S	Intake Diameter	3"	76 mm
T	Exhaust Diameter	3"	76 mm

## Faceplate Dimensions

### Three-Sided Faceplate



### Four-Sided Faceplate



Faceplate	Dimensions			
	Width (A)	Height (B)	Depth (C)	Bottom Height (D)
Regular Faceplate	40-3/16" (1021 mm)	26" (660 mm)	1-1/4" (32 mm)	-
Regular Faceplate w/ Premium Surround	40-13/16" (1021 mm)	26-3/8" (670 mm)	1-11/16" (43 mm)	-
Flush Faceplate	40-3/16" (1021 mm)	26" (660 mm)	1/8" (3 mm)	-
Flush Faceplate w/ Traditional Surround	45-3/4" (1162 mm)	28-3/4" (730 mm)	2-1/4" (57 mm)	-
4-Sided Flush Faceplate	40-3/16" (1021 mm)	29-1/4" (743 mm)	1/8" (3 mm)	4-3/16" (106 mm)
Finishing Trim	31-7/8" (810 mm)	21-7/8" (556 mm)	1/16" (2 mm)	-
4-Sided Finishing Trim	31-7/8" (810 mm)	23-1/8" (587 mm)	1/16" (2 mm)	1-1/8" (29 mm)
Oversized Backing Plate	47-1/2" (1207 mm)	31-1/2" (800 mm)	1/8" (3 mm)	-
3-Sided Custom Backing Plate	33-7/8" - 56-7/8" (860 mm - 1445 mm)	22-7/8" - 44-7/8" (581 mm - 1118 mm)	1/8" (3 mm)	-
4-Sided Custom Backing Plate	33-7/8" - 69" (860 mm - 1753 mm)	25-1/8" - 45" (638 mm - 1143 mm)	1/8" (3 mm)	2-1/8" minimum (54 mm min.)

## Minimum Clearances to Combustibles

The clearances listed below are minimum distances unless otherwise stated.

A major cause of fires is failure to maintain required clearances (air space) to combustible materials. It is of the greatest importance that this decorative gas appliance is installed only in accordance with these instructions.

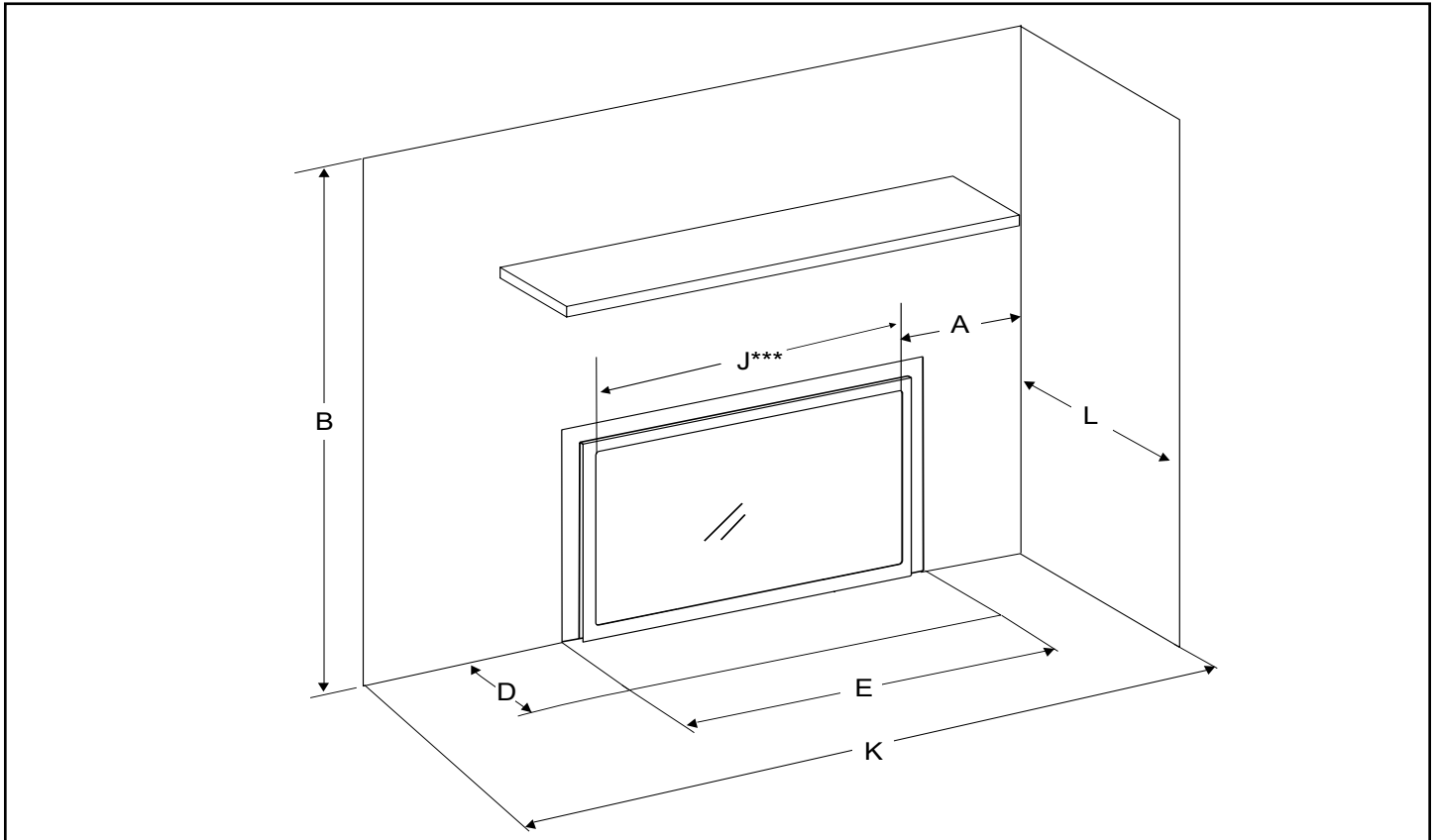


Diagram 1

Clearance:	Dimension	Measured From:
A: Sidewall	8" / 203 mm	***From inside edge of faceplate / doors
B: Ceiling	63-3/4" / 1873 mm	From base of unit
D: Min. Hearth Depth	12" / 305 mm	Not required if unit raised 3" (76 mm) off the floor.
E: Min. Hearth Length	36" / 914 mm	Not required if unit raised 3" (76 mm) off the floor.
J***	27-1/4" / 692 mm	inside edge of the faceplate/doors - reference only.
K: Min. Alcove Width	54" / 1372 mm	
L: Max. Alcove Depth	36" / 914 mm	From the front of the unit.
M: Mantel Deflector	2-1/2" / 89 mm*	

- NOTES**
- A 36" (914 mm) wide x 12" (305 mm) deep, non-combustible hearth is required in front of the appliance unless the unit is raised 3" (76 mm) off the floor.
  - \*An optional 2-1/2" (64 mm) mantel deflector reduces the mantel height to 13" (330 mm) from top of the unit @ 1" (25 mm) depth.
  - (J): \*\*\* Measurement from the faceplate edge or doors - for reference only: 27-1/4" (692 mm)

## Mantel Clearances Without Mantel Deflector

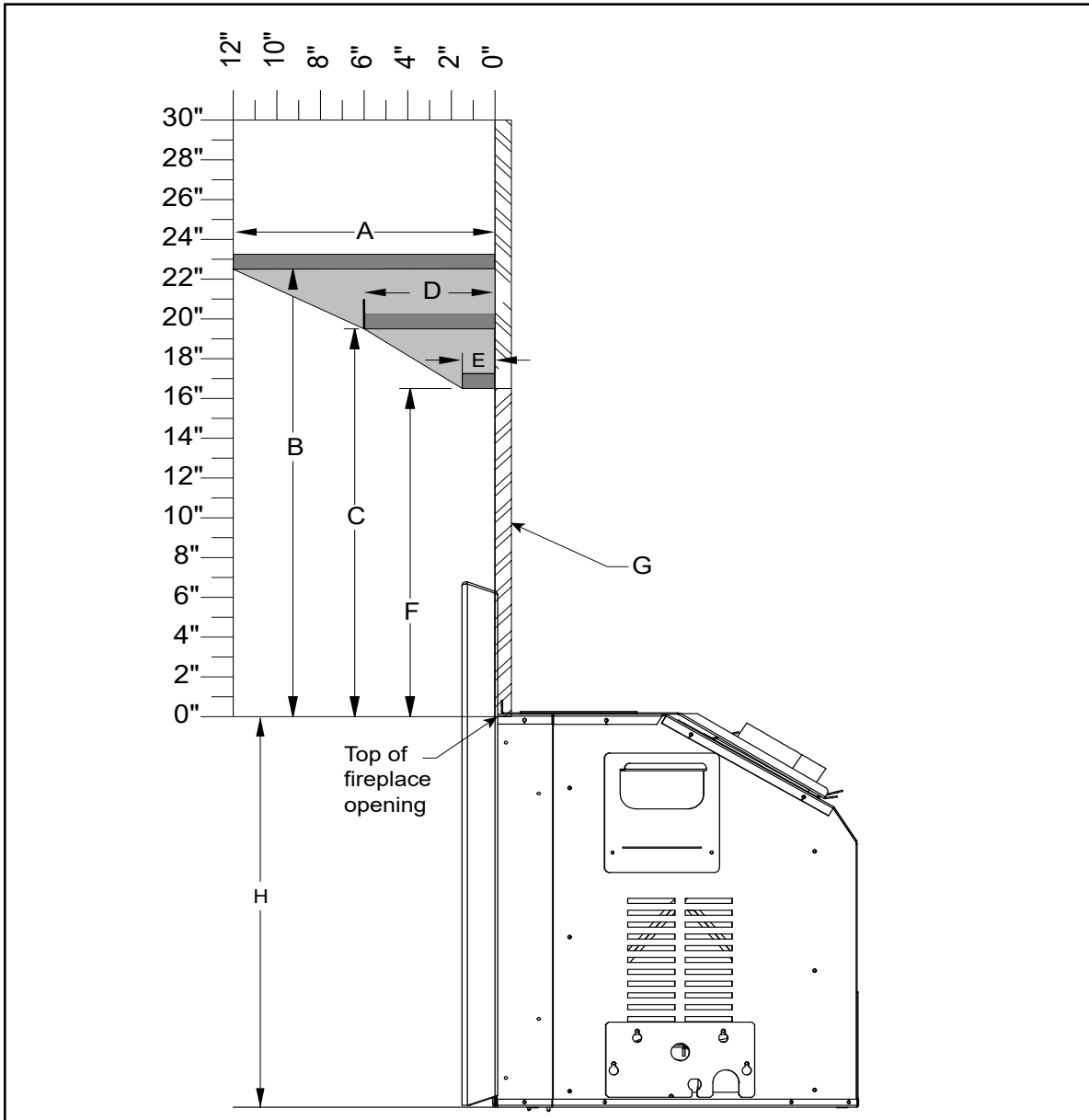


Diagram 2

A	12" (305 mm)	E	1-1/2" (38 mm)
B	22-1/2" (572 mm)	F	16-1/2" (419 mm)
C	19-1/2" (495 mm)	G	Non Combustible Materials
D	6" (152 mm)	H	19-3/4" (451 mm) to base of unit

**WARNING** • Although this appliance passes safety certification, the hearth in front of the fireplace becomes very hot when the fireplace heats. Do not use the hearth as a seat or shelf.

## Mantel Clearances with 2-1/2" (64 mm) Mantel Deflector

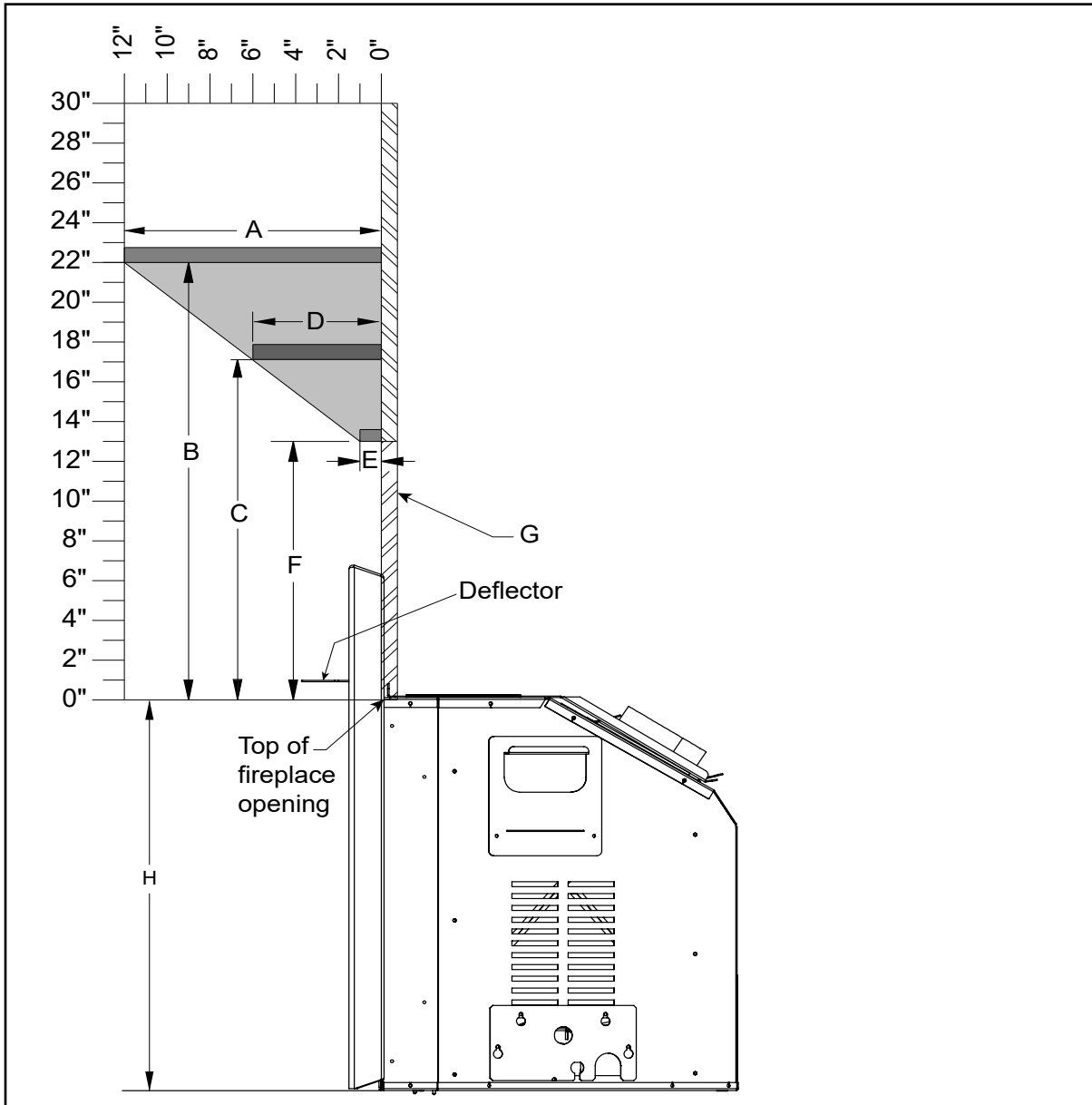


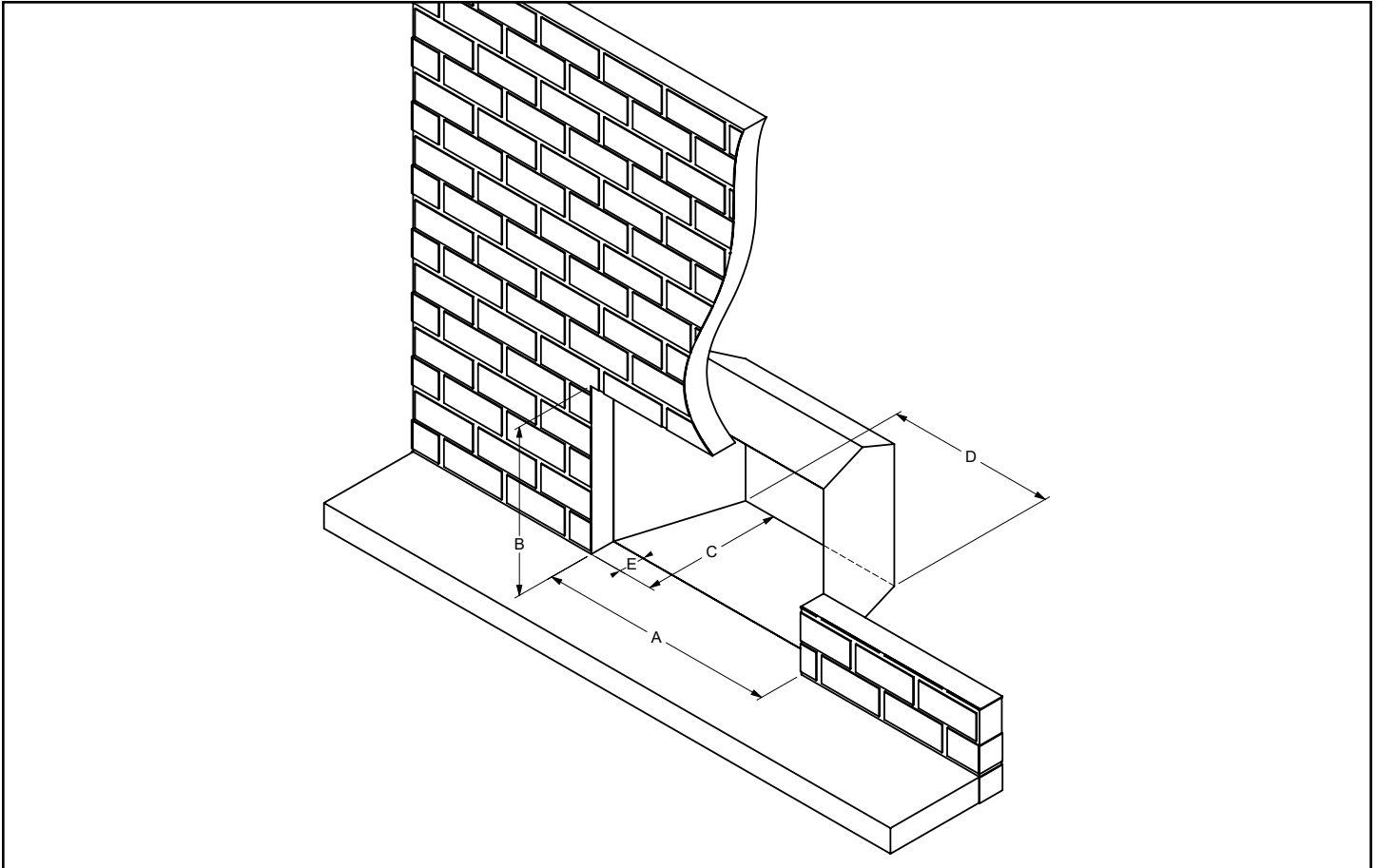
Diagram 3

A	12" (305 mm)	E	1" (25 mm)
B	22" (559 mm)	F	13" (330 mm)
C	17-1/2" (445 mm)	G	Non Combustible
D	6" (152 mm)	H	19-3/4" (451 mm) to base of unit

### NOTES

- A 2-1/2" (64 mm) mantel deflector reduces mantel height to 13" (330 mm) from the bottom of the unit at 1" (25 mm) depth.
- A noncombustible mantel may be installed at a lower height if the framing is made of metal studs covered with a non-combustible board. The noncombustible mantel, when installed at a lower overall height, may not be lower than 6" (152 mm) from the top of the fireplace opening.
- All material used must be non-combustible.

## Minimum Fireplace Opening Sizes with Varying Faceplate/Backing Plate Options



Faceplate	Dimensions				
	Minimum Install Width (A)	Minimum Install Height (B)	Minimum Install Depth (C)	Minimum Rear Width (D)	Taper Depth (E)
Regular Faceplate	28-7/16" (722 mm)	20-1/4" (514 mm)	16-11/16" (424 mm)	20" (508 mm)	2-13-16" (71 mm)
Regular Faceplate w/ Backing Plate	30-7/8" (784 mm)	21-7/16" (545 mm)	16-3/4" (425 mm)	20" (508 mm)	2-11/16" (68 mm)
Regular Faceplate w/ Premium Surround	28-7/16" (722 mm)	20-1/4" (514 mm)	16-5/8" (422 mm)	20" (508 mm)	2-9/16" (65 mm)
Regular Faceplate w/ Premium Surround and Backing Plate	30-7/8" (784 mm)	21-7/16" (545 mm)	16-1/2" (419 mm)	20" (508 mm)	2-7/16" (62 mm)
Flush Faceplate	30" (762 mm)	21-1/16" (535 mm)	17-15/16" (456 mm)	20" (508 mm)	3-7/8" (98 mm)
Flush Faceplate w/ Backing Plate	30-7/8" (784 mm)	21-7/16" (545 mm)	17-13/16" (452 mm)	20" (508 mm)	3-3/4" (95 mm)
Flush Faceplate w/ Traditional Surround	28-7/16" (722 mm)	20-1/4" (514 mm)	15-15/16" (405 mm)	20" (508 mm)	1-7/8" (48 mm)
Flush Faceplate w/ Traditional Surround and Backing Plate	30-7/8" (784 mm)	21-7/16" (545 mm)	15-13/16" (402 mm)	20" (508 mm)	1-3/4" (45 mm)
4-Sided Flush Faceplate	30" (762 mm)	21-5/16" (541 mm)	17-15/16" (456 mm)	20" (508 mm)	3-7/8" (98 mm)
Finishing Trim	30" (762 mm)	21-1/16" (535 mm)	18" (457mm)	20" (508 mm)	3-15/16" (100 mm)
Finishing Trim w/ Backing Plate	30-7/8" (784 mm)	21-7/16" (545 mm)	17-7/8" (454 mm)	20" (508 mm)	3-7/8" (98 mm)
4-Sided Finishing Trim	30" (762 mm)	21-5/16" (541 mm)	18" (457 mm)	20" (508 mm)	3-15/16" (100 mm)

## Using Steel Studs and Concrete Board Over Masonry Brick Fireplace

The masonry front brick facing can be removed and replaced with non-combustible materials such as steel studs and concrete board/durarock/micor board as per diagram 1, only if safe to do so. Steel stud may also be placed in front of the masonry brick if left in place. This is the preferred method depending on the condition of the masonry brick fireplace.

The opening between the front of the masonry firebox and non-combustible materials such as steel studs must be sealed so heat cannot run between the face of the wood fireplace and the refacing materials. Only finishing materials such as tile, stone, brick, or similar materials that are non-combustible may be used. Use materials that are uniform so that when the unit is positioned, there are no visible gaps on the sides or top of the surround.

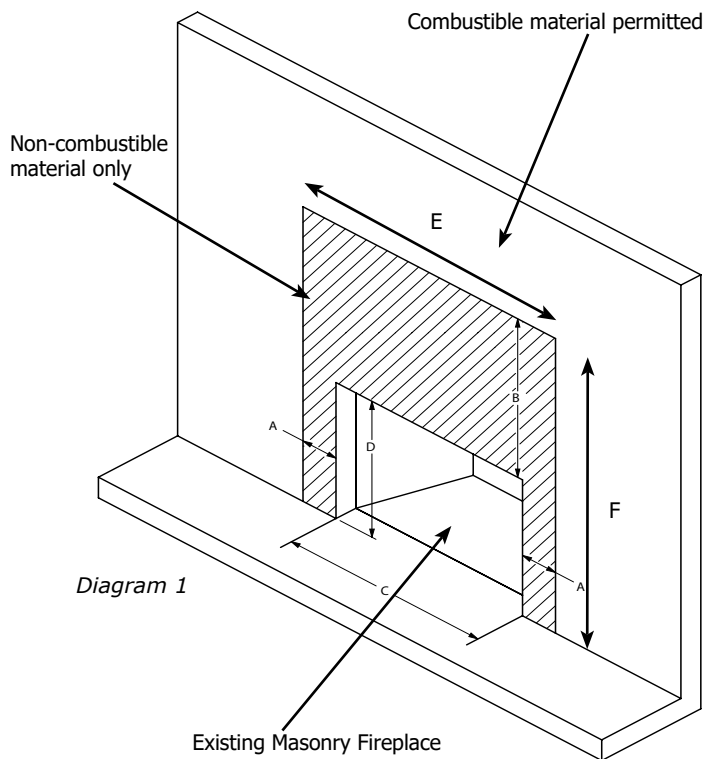




Diagram 1

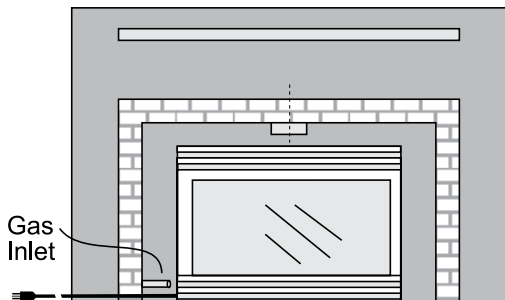
DIMENSIONS	
A - Horizontal clearance	8" (203 mm)
B - Vertical clearance	23" (584 mm)
C - Opening Width	30-1/4" min. (768 mm)
D - Opening Height	21-1/2" min. (546 mm)
E - Minimum Total Width	46-1/4" (1175 mm)
F - Minimum Total Height	41-3/4" (1060 mm)

- Combustible Facing Over Combustible Framing 
- Non-Combustible Facing Over Non-Combustible Framing 

## Gas Connection

**WARNING** • Only persons licensed to work with gas piping may make the gas connections to this appliance.

1. If the appliance is installed into an existing chimney system, thoroughly clean the masonry or factory-built fireplace.
2. The appliance has an opening on the left side of the control compartment. A 3/8" NPT gas supply pipe must be brought near the opening.
3. Locate the centerpoint where the vent will pass through the chimney, above the appliance. Move the appliance to the installation location. Ensure that the insert is level.
4. Do not cut any sheetmetal parts of the fireplace into which the gas insert will be installed.
5. If the factory-built fireplace has no gas access hole(s), drill one of 1-1/2" (37-1/2 mm) or less through the lower sides or bottom of the firebox. The access hole must be plugged with non-combustible insulation after the gas supply line is installed.



## Vertical Venting

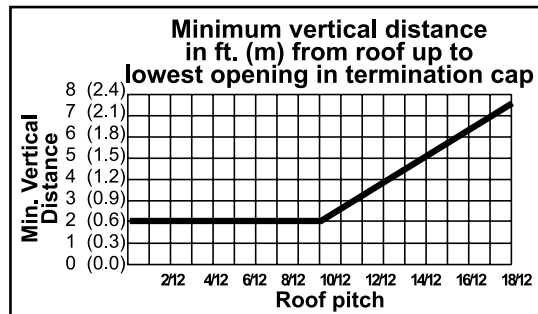
**THE APPLIANCE MUST NOT BE CONNECTED TO A CHIMNEY FLUE SERVING A SEPARATE SOLID FUEL BURNING APPLIANCE.**

This appliance is designed to attach to two 3" (76 mm) co-linear aluminium flex running the full length of the chimney. The flue length must be a minimum of 8' (2.44 m) and a maximum of 35' (10.7 m) long. See the chart below for minimum distances from the roof. Periodically check that the vent is unrestricted.

Masonry chimneys may take various contours which the flexible liner will accommodate. However, keep the flexible liner as straight as possible (avoid unnecessary bending).

Attach both the exhaust and intake flue liners to both the termination cap & flue collar at the appliance with a minimum of three self-tapping screws. Use Mil-Pac sealant to seal the pipes.

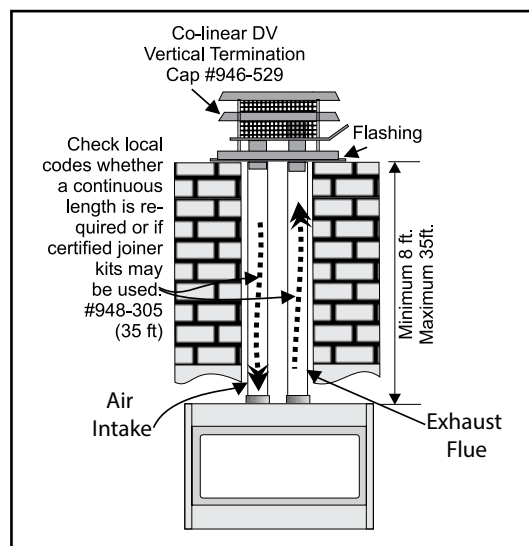
The air intake pipe must be attached to the inlet air collar of the termination cap.



**IMPORTANT** • This appliance was tested and certified as a complete system with the noted termination caps and flex liner. Only the listed termination caps/flex liner noted below can be used. Use of termination caps or flex liners not listed in this manual will void the warranty and certification of this appliance. It is also important not to enclose the termination cap inside of a masonry chimney rain cap, or similar. The termination must be exposed on all four sides and above to exhaust and draw air into the firebox.

Part #	Description
948-305	3" Flex - 35 ft.
946-529	Co-linear DV Vertical Termination Cap

**NOTES** • When attaching the two 3 inch (51-76 mm) liners to the termination cap and prior to sliding them down the chimney, it is good practice to mark the liners "exhaust" & "air intake". This prevents mixing up the liners at the flue collar connection of the appliance. If facing the appliance from the front, the air intake is located on the left and the exhaust flue on the right.



Gas & Electrical Connections



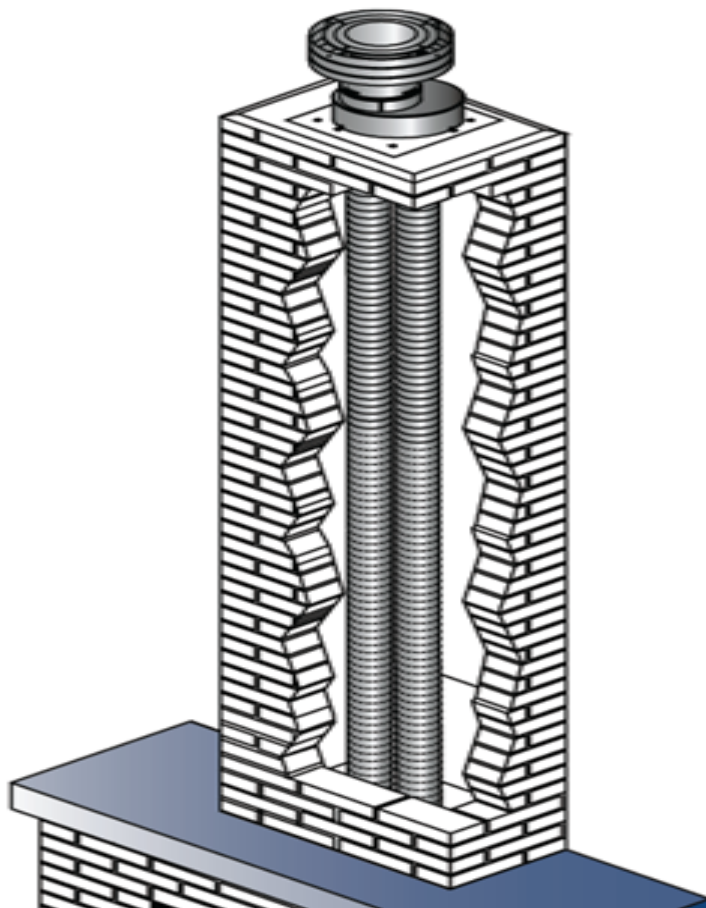
## Alternate Approved Vertical Termination Caps/Adaptor

### Alternate Approved Caps

46DVA-VC Vertical Termination Cap  
OR  
46DVA-VCH High Wind Cap  
AND  
46DVA-GK 3" Co-linear Adaptor with flashing

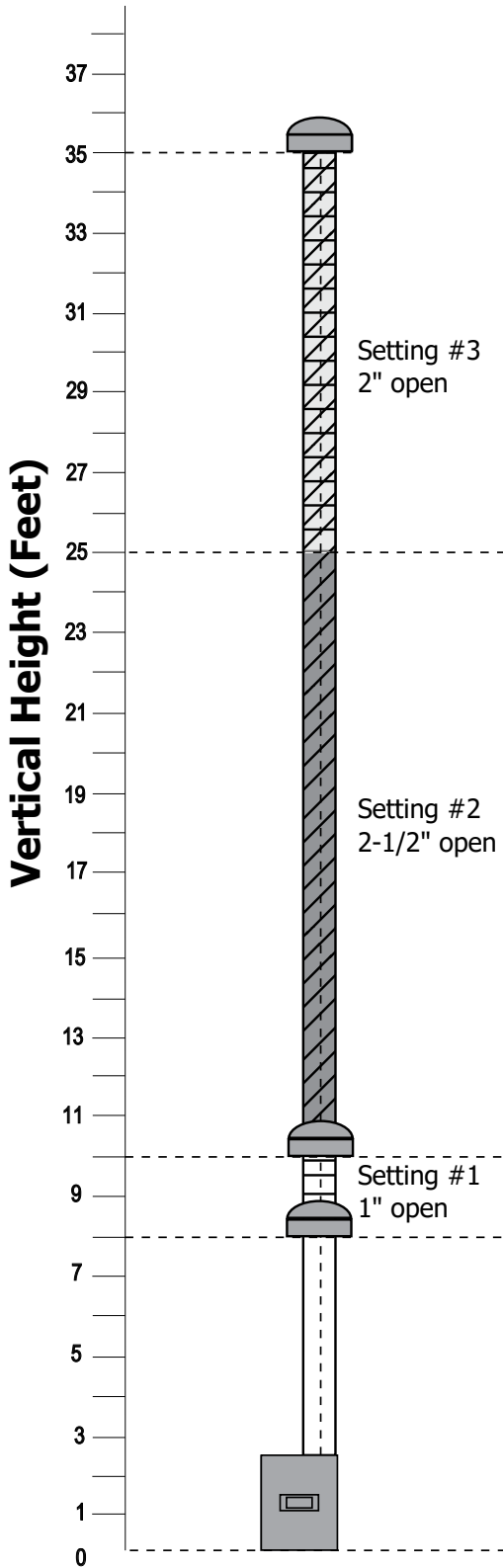
In areas with consistently high winds, we recommend using the Simpson Dura-Vent System (46DVA-GK adaptor and 46DVA-VCH high-wind cap).

The air intake pipe must be attached to the inlet air collar of the termination cap.

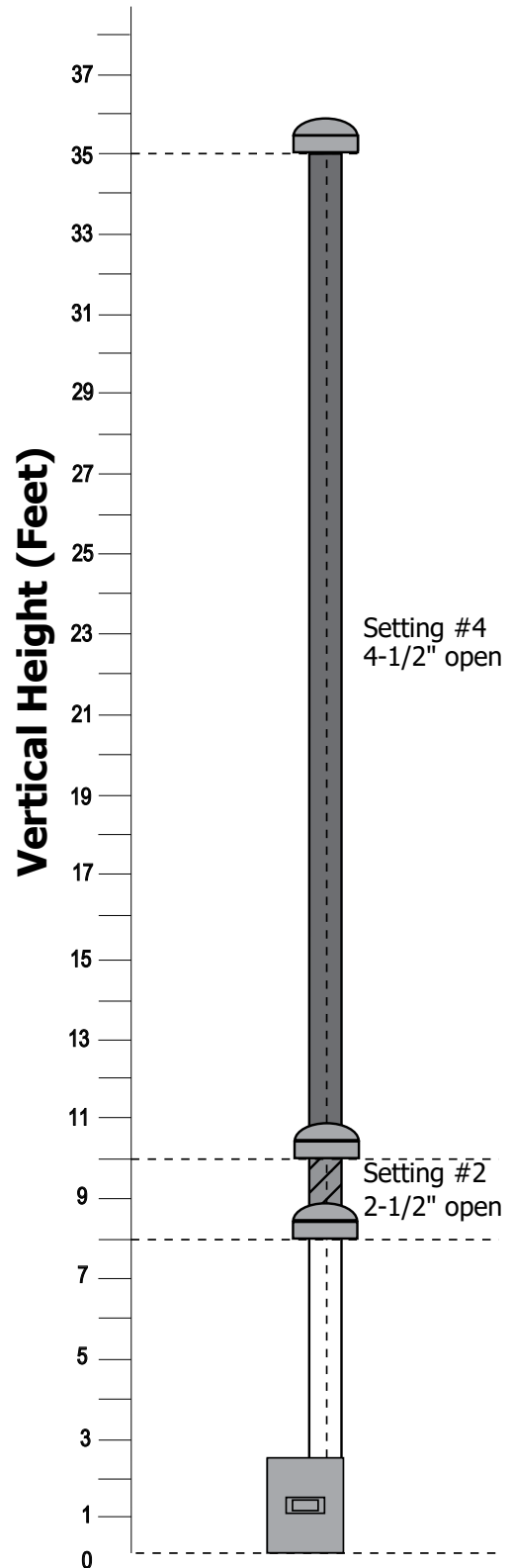


Vertical Venting / Restrictor Settings for NG and LP

NG



LP



## Horizontal Co-Linear Vent Kit (Masonry Fireplaces Only)

### APPLICATION

This instruction applies to the DuraVent DirectVent Pro termination system and is intended as a supplement to the applicable DirectVent Pro instructions. This termination and venting system and the gas appliance were tested and listed by an accredited test agency.

Kit # 46DVA-HCL33 includes:

- 1 Horizontal Termination Cap
- 2 x 10' (3 m) long x 3" (76 mm) round liners and hardware.
- The 948-128 Mil-Pac sealant must be purchased separately.

**NOTE** The intake and the exhaust are 3" (76 mm).

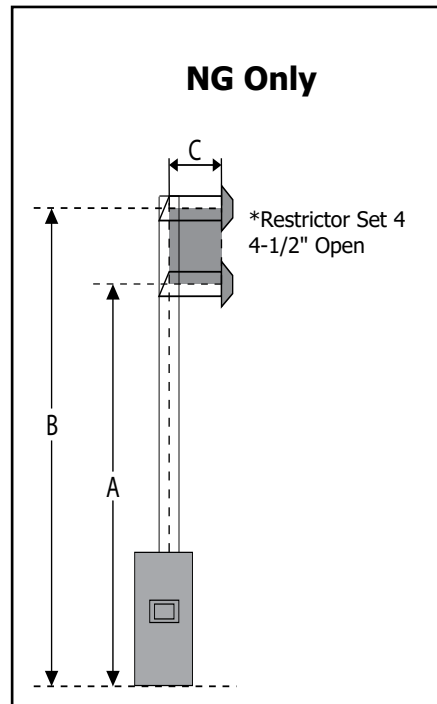
### INSTALL INFORMATION

The flue damper must be fully blocked open or removed if safe to do so for installation of the unit. The smoke shelves, shields, and baffles may be removed if attached by mechanical fasteners. Ensure the fireplace and chimney are clean and in good working order, and that all chimney cleanouts are tight-fitting and not permitting air into the chimney. Install a sealed vent cap and metal flashing at the top of the masonry chimney to prevent leaks and air movement within the cavity. A vent restrictor is not required when terminating horizontally, as shown below.

This appliance is only certified for use with NG when terminating horizontally (LP is not permitted). Make the hole on the outer portion of the masonry fireplace by boring it or removing bricks. Ensure that the masonry structure is safe and brick can be removed without damage to the chimney prior to proceeding. Minimum and maximum vent heights are noted below.

For complete instructions follow this link:

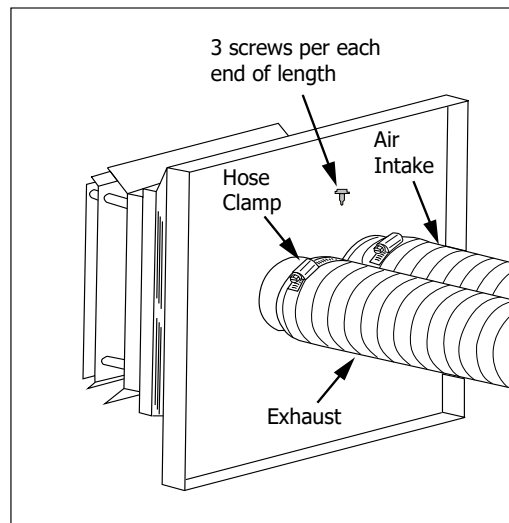
[https://duravent.com/wp-content/uploads/2020/06/L954-SUP\\_820018997-DirectVent-Pro-Horizontal-Vent-Kit\\_03-20-20\\_V1.pdf](https://duravent.com/wp-content/uploads/2020/06/L954-SUP_820018997-DirectVent-Pro-Horizontal-Vent-Kit_03-20-20_V1.pdf) [duravent.com]



DIMENSIONS	
A - Min. Height	9 ft. (2.7 m)
B - Max. Height	10 ft. (3 m)
C - Max. Horizontal	18" (457 mm)

\*See page 17 for instructions on setting the restrictor.

**NOTE** The exhaust is located on the left side and the air intake on the right when facing the back of the termination as shown below. Seal the 3" (76 mm) flex with Mil-Pac, purchased separately.



Installers must mechanically attach the supplied label to the inside of the firebox of the fireplace into which the gas fireplace insert is installed.

**NOTE** This fireplace has been converted for use with a gas fireplace insert only. It cannot be used for burning wood or solid fuels unless all original parts are replaced and the fireplace re-approved by the authority having jurisdiction.