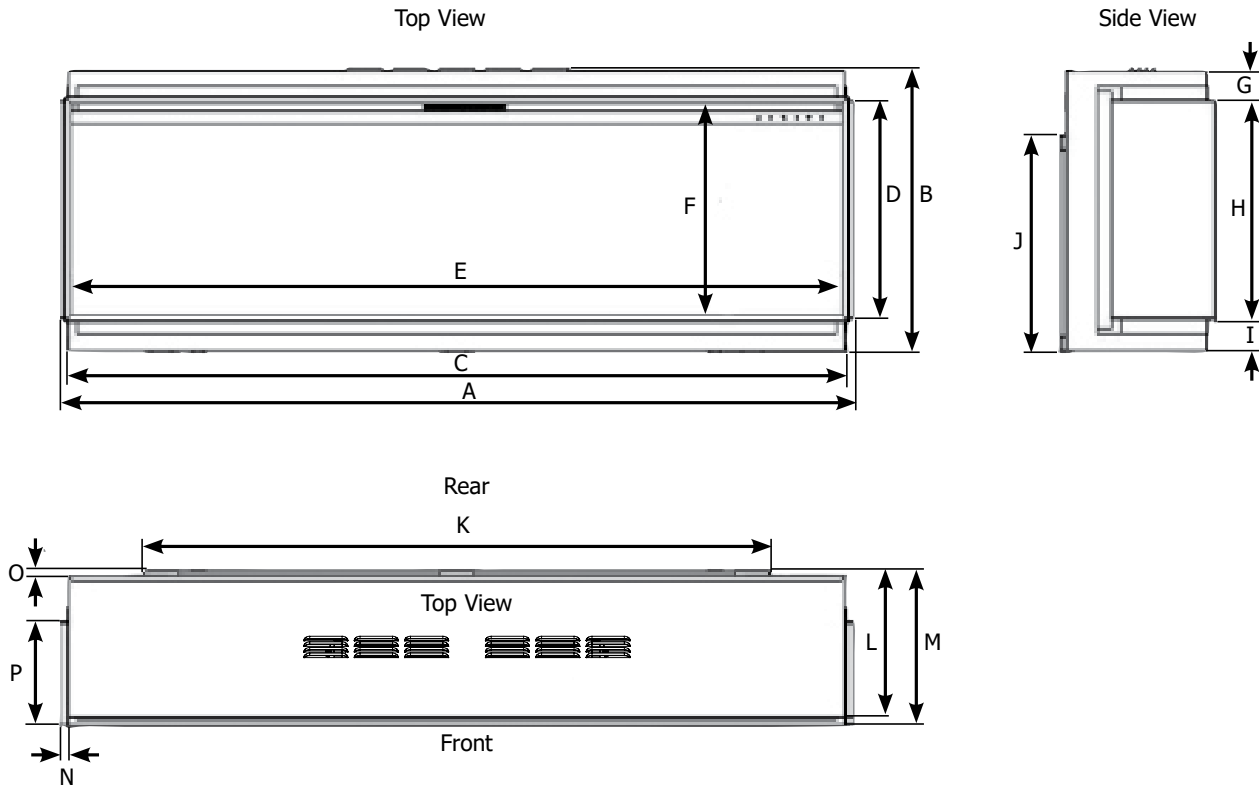


Onyx Avita EXA120/EXA160/EXA190 Electric Fireplace



MODELS	Max. Power Consumption
EXA120	120VAC/240VAC (1400W/2800W)
EXA160	120VAC/240VAC (1400W/2800W)
EXA190	120VAC/240VAC (1400W/2800W)

UNIT DIMENSIONS

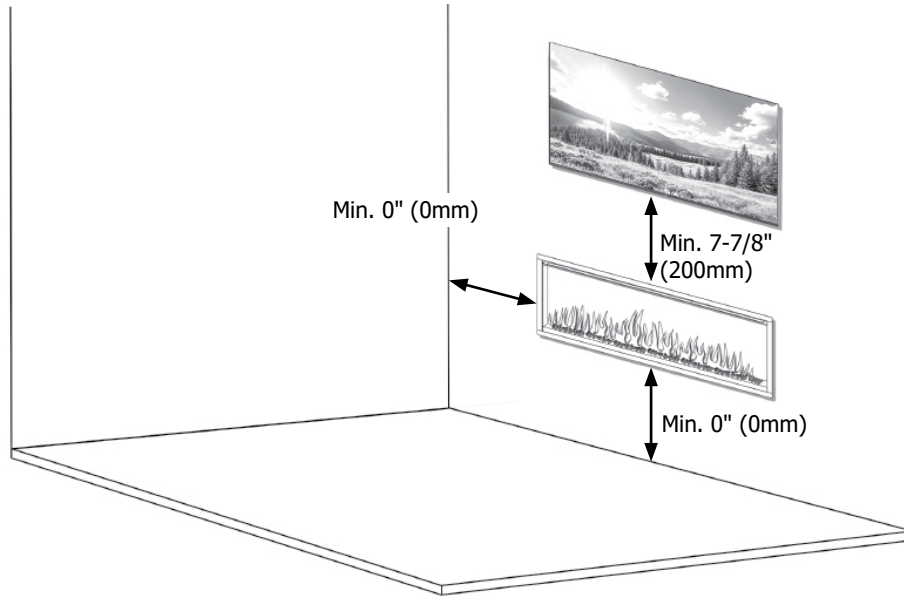


MODELS	A	B	C	D	E	F	G
EXA120	48-5/16" 1227 mm	22-7/8" 581 mm	47-1/4" 1200 mm	17-3/4" 1451 mm	46-9/16" 1183 mm	17-1/8" 435 mm	2-3/8" 60 mm
EXA160	64" 1626 mm	22-7/8" 581 mm	63" 1600 mm	17-3/4" 1451 mm	62-5/16" 1583 mm	17-1/8" 435 mm	2-3/8" 60 mm
EXA190	75-13/16" 1926 mm	22-7/8" 581 mm	74-13/16" 1900 mm	17-3/4" 1451 mm	74-1/8" 1883 mm	17-1/8" 435 mm	2-3/8" 60 mm

MODELS	H	I	J*	K*	L	M	N	O	P
EXA120	17-3/4" 451 mm	2-1/2" 63 mm	17-1/2" 445 mm	33-15/16" 862 mm	11-7/6" 291 mm	12-1/2" 317 mm	5/8" 16 mm	7/16" 11 mm	8-3/8" 212 mm
EXA160	17-3/4" 451 mm	2-1/2" 63 mm	17-1/2" 445 mm	50-9/16" 1284 mm	11-7/6" 291 mm	12-1/2" 317 mm	5/8" 16 mm	7/16" 11 mm	8-3/8" 212 mm
EXA190	17-3/4" 451 mm	2-1/2" 63 mm	17-1/2" 445 mm	69-1/2" 1765 mm	11-7/6" 291 mm	12-1/2" 317 mm	5/8" 16 mm	7/16" 11 mm	8-3/8" 212 mm

*Wall Mounting Bracket

CLEARANCE TO COMBUSTIBLES



TOP (Mantel or TV)

▶ 7-7/8" (200mm) Minimum

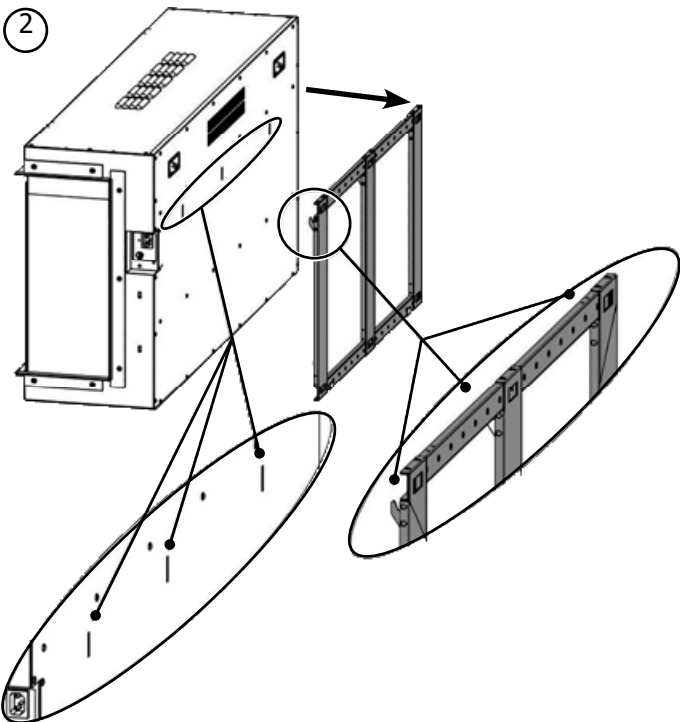
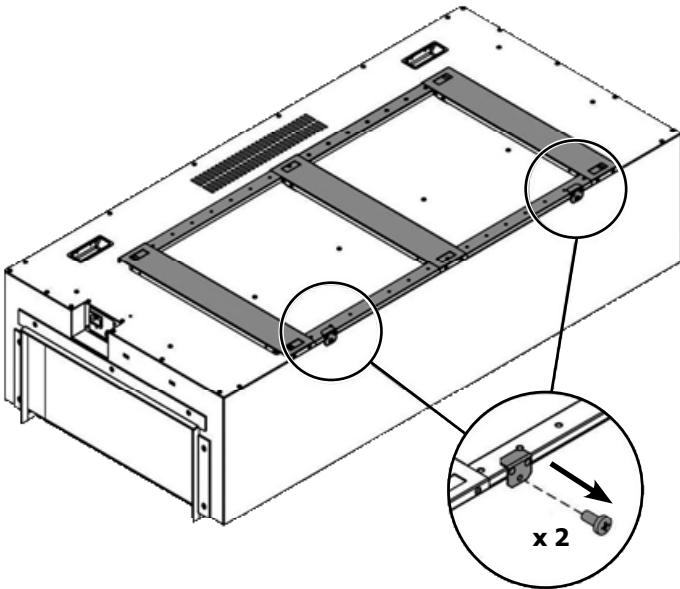
FRONT

▶ 3 feet (1 m) Minimum (Directly in front of appliance)

INSTALLATION

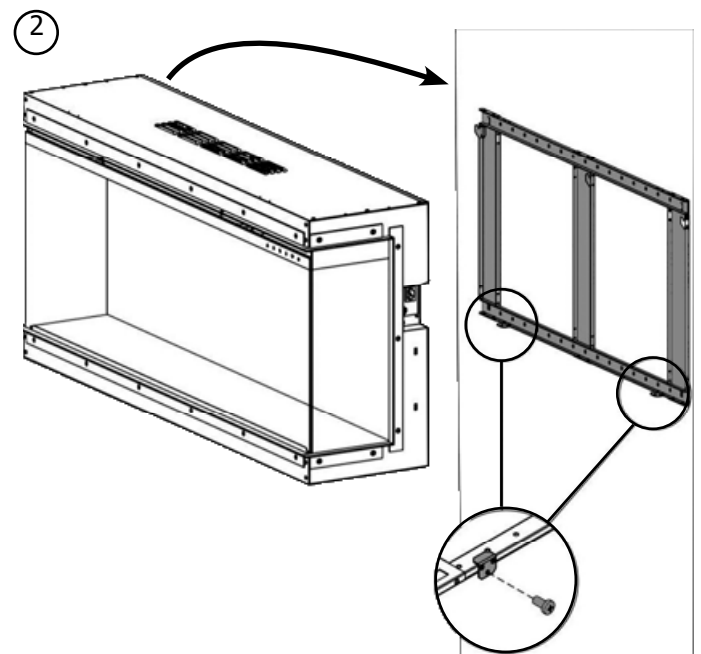
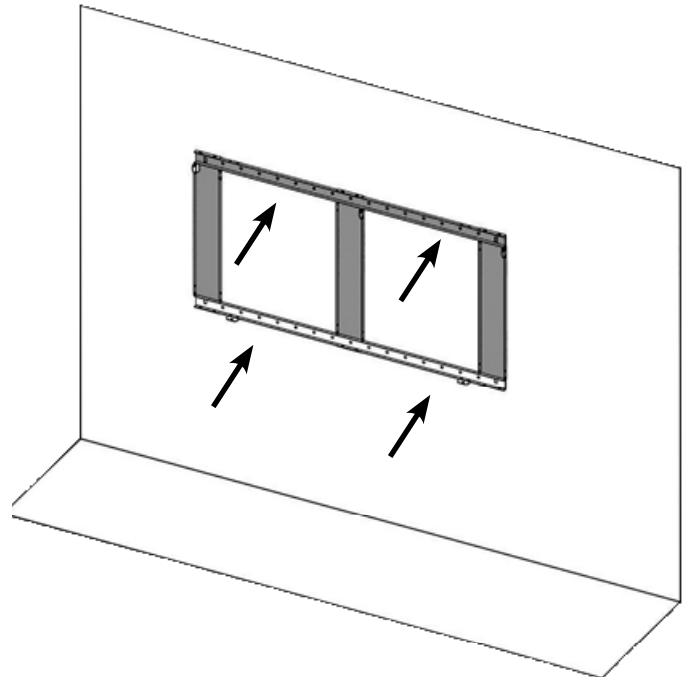
MOUNTING BRACKET

- ① The wall mounting bracket will be located at the rear of the appliance and is held in place by 2 brackets at base of appliance.
Tilt appliance forward to gain access to the 2 brackets.
Remove 2 screws at base of appliance securing the bracket and discard brackets. Reinstall screws.
Lift up and out to remove wall mounting bracket from rear of appliance.

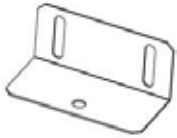


INSTALLATION METHOD 1

- ① Mark the wall to the desired height using the wall mounting bracket as a guide. Ensure that at least 2-3 studs are found to support the wall mounting bracket as the weights of these units will vary. Also ensure wall mounting bracket is level.
Note: There is also wall plugs/screws supplied if required.

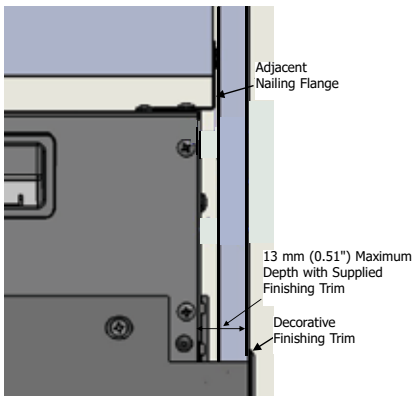
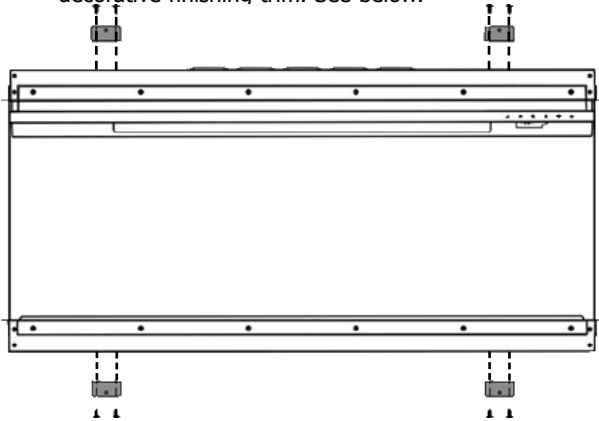


NAILING FLANGES

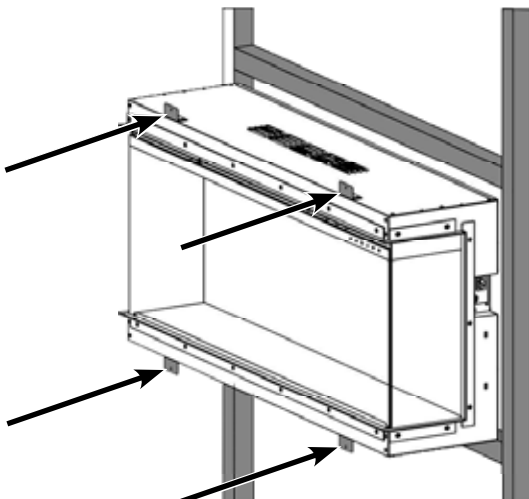


EXA120 x4
EXA160 x6
EXA190 x6

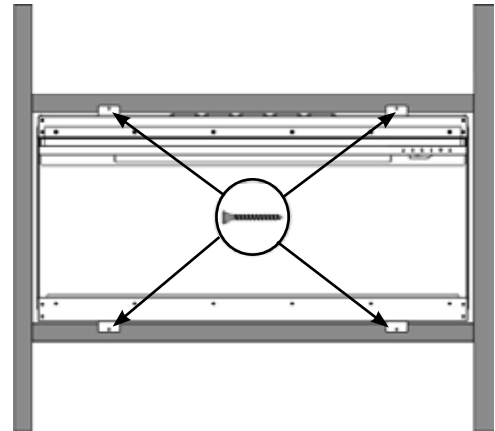
- ① Install nailing flanges as per diagram below. Phillips head screws are provided to attach the nailing flange to appliance. Note: The nailing flanges are adjustable. Determine overall depth of finishing material and adjust to desired depth. Maximum thickness is 13 mm (0.51") when using the supplied decorative finishing trim. See below.



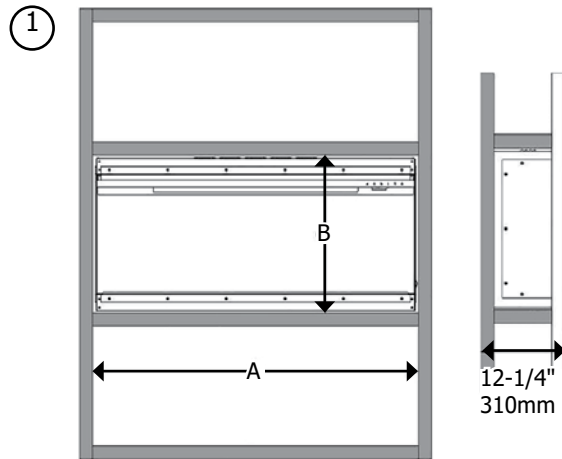
- ② Slide unit into position.



- ③ Secure appliance to framing as shown below with supplied black wood screws.



FRONT VIEWING FACE INSTALLATION (SINGLE SIDED)



MODELS	A	B
EXA120	47-11/16" 1211 mm	23-1/4" 590 mm
EXA160	63-7/16" 1611 mm	23-1/4" 590 mm
EXA190	75-1/4" 1911 mm	23-1/4" 590 mm

- ② Completed Install.

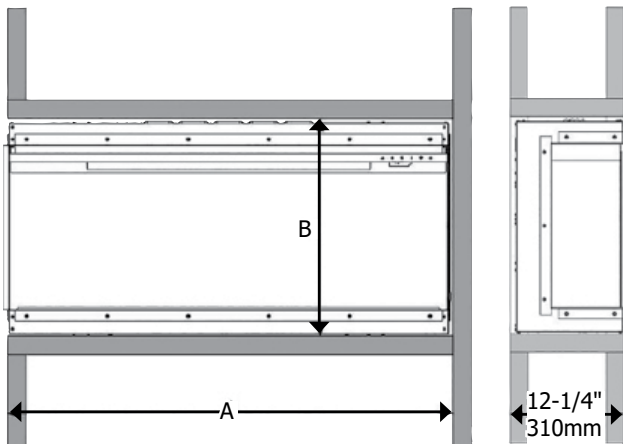


PAINTING

If desired finishing includes a painted wall, 100% acrylic latex, oil based, or standard acrylic paints may be used. Follow paint manufacturer's instructions for paint and primer application.

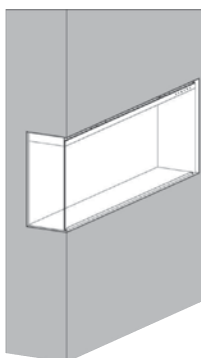
TWO SIDED VIEW INSTALLATION (RIGHT/LEFT CORNER)

- ① **Note:** Ensure that The nailing flanges are adjusted based on the overall depth of finishing material being used as shown in the nailing flange section of this manual. Maximum finishing material thickness is 13 mm (0.51").
- The appliance is designed to be used with standard wall sheathing materials such as drywall, plywood, wood composites, or noncombustible materials. Thicker materials may also be used.
- Note:** The decorative finishing trim is not used when installed as a two sided view and will need to be recycled. Facing and/or finishing materials must never overhang into the glass opening.
- Facing materials may be combustible or non-combustible. To cover cut/ exposed edges of the combustible facing material or any other finishing materials being used we suggest using J Style Trim or Metal Corner Bead purchased at your local hardware store.
- Do not penetrate any screws into the body face.



MODELS	A	B
EXA120	47-11/16" 1211 mm	23-1/4" 590 mm
EXA160	63-7/16" 1611 mm	23-1/4" 590 mm
EXA190	75-1/4" 1911 mm	23-1/4" 590 mm

- ② Completed Install.

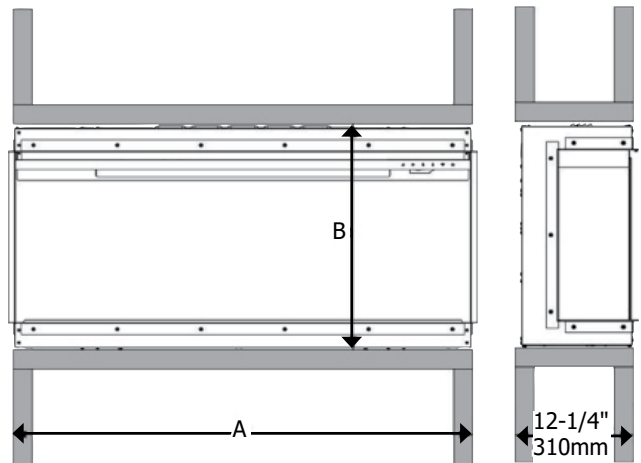


PAINTING

If desired finishing includes a painted wall, 100% acrylic latex, oil based, or standard acrylic paints may be used. Follow paint manufacturer's instructions for paint and primer application.

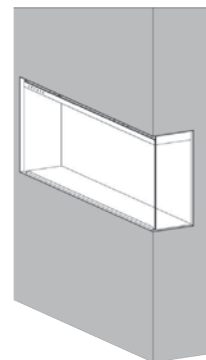
THREE SIDED VIEW INSTALLATION

- ① **Note:** Ensure that The nailing flanges are adjusted based on the overall depth of finishing material being used as shown in the nailing flange section of this manual. Maximum finishing material thickness is 13 mm (0.51").
- The appliance is designed to be used with standard wall sheathing materials such as drywall, plywood, wood composites, or noncombustible materials. Thicker materials may also be used.
- Note:** The decorative finishing trim is not used when installed as a two sided view and will need to be recycled. Facing and/or finishing materials must never overhang into the glass opening.
- Facing materials may be combustible or non-combustible. To cover cut/ exposed edges of the combustible facing material or any other finishing materials being used we suggest using J Style Trim or Metal Corner Bead purchased at your local hardware store.
- Do not penetrate any screws into the body face.



MODELS	A	B
EXA120	47-3/8" 1203 mm	23-1/4" 590 mm
EXA160	63-1/8" 1603 mm	23-1/4" 590 mm
EXA190	74-7/8" 1901 mm	23-1/4" 590 mm

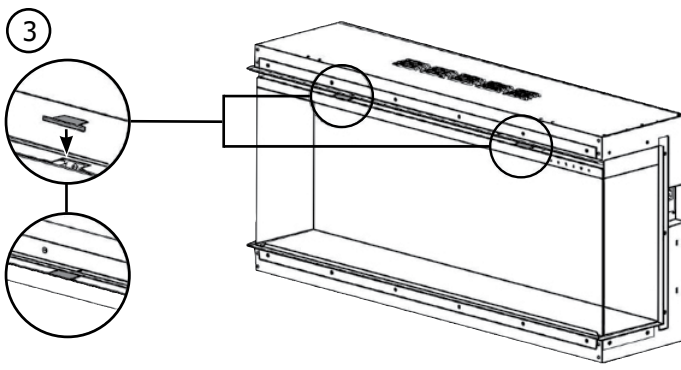
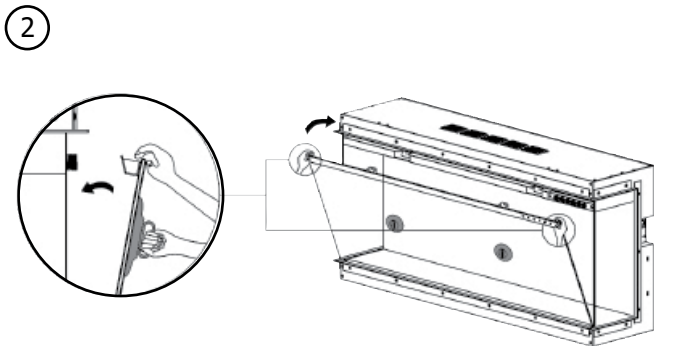
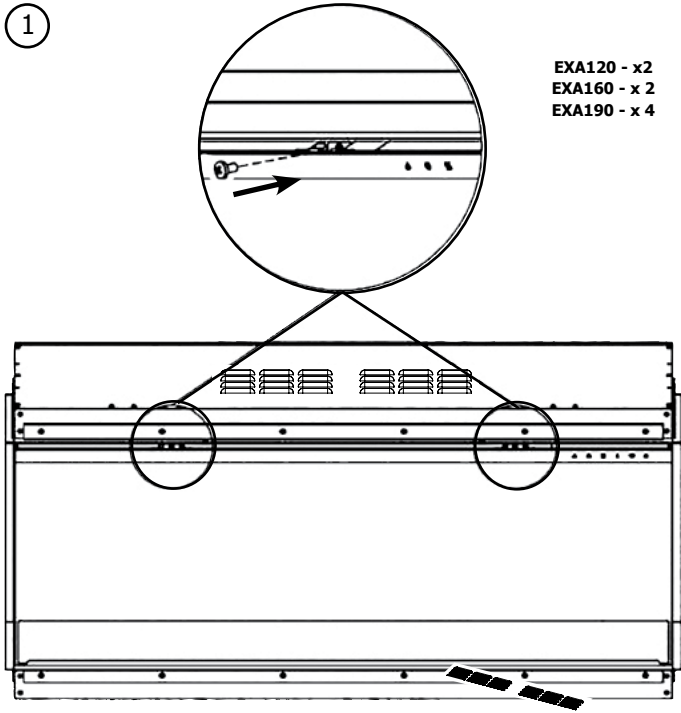
- ② Completed Install.



PAINTING

If desired finishing includes a painted wall, 100% acrylic latex, oil based, or standard acrylic paints may be used. Follow paint manufacturer's instructions for paint and primer application.

ALL METHODS

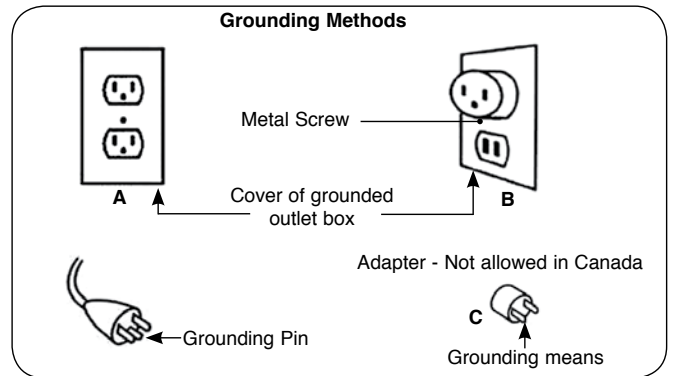


PLUGGING POWER CORD TO APPLIANCE

The appliance is supplied with a 3 prong plug with a 72" lead which is included with the manual package, it will need to be modified for hard wiring.

Note: Must be plugged into a 3 prong receptacle which is exposed and accessible. Do not under any circumstances, cut the ground on the 3 prong plug.

This appliance is for use on 120 Volts only when using a 3-prong plug. The cord has a plug as show in (A). An adapter as shown in (C) is available for connecting three-blade grounding type plugs to two slot receptacles. The green grounding lug extending from the adapter must be connected to a permanent ground such as a properly grounded outlet box. The adapter should not be used if a three-slot grounded receptacle is not available.



To disconnect the appliance, turn the controls to off, then remove plug from outlet.

This appliance must be connected and grounded in accordance with local codes, if hard wired. In the absence of local codes, use the current CSA C22.1 CANADIAN ELECTRICAL CODE in Canada or the current ANSI/NFPA 70 NATIONAL ELECTRICAL CODE in the United State.

If appliance is to be hardwired, see this manual for details.

IMPORTANT: A 15 amp, 60Hz 120 Volt circuit is required for installation of this Appliance. A dedicated circuit is not required, but is highly recommended to prevent circuit breaker from tripping or fuse failure. Failure to provide adequate power to this Appliance will void your warranty.