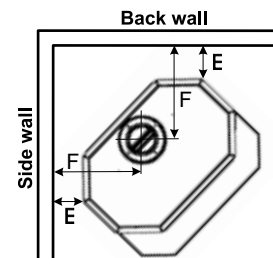
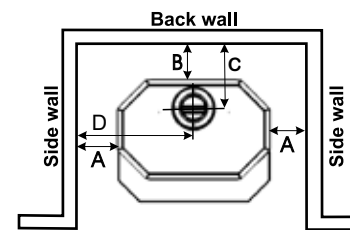


U39-12 Top Vent Gas Stove

Model	U39-NG12	U39-LP12
Fuel Type	Natural Gas	Propane
Minimum Supply Pressure	5" W.C. (1.25 kPa)	11" W.C. (2.74 kPa)
Manifold Pressure - High	3.5" W.C. (0.87 kPa)	10" W.C. (2.49 kPa)
Manifold Pressure - Low	1.6" W.C. (0.40 kPa)	6.4" W.C. (1.59 kPa)
Orifice Size Altitude 0-2000ft. (0-610m)	#32	#49
Orifice Size Altitude 0-4500ft. (0-1370m)	#35	#51
Minimum Input Altitude 0-2000ft. (0-610m)	26,000 BTU/h (7.62 kW)	30,000 BTU/h (8.79 kW)
Minimum Input Altitude 0-4500ft. (0-1370m)	24,000 BTU/h (7.03 kW)	26,000 BTU/h (7.62 kW)
Maximum Input Altitude 0-2000ft. (0-610m)	38,000 BTU/h (11.14 kW)	38,000 BTU/h (11.14 kW)
Maximum Input Altitude 0-4500ft. (0-1370m)	35,000 BTU/h (10.26 kW)	32,500 BTU/h (9.52 kW)
Vent Sizing	4" Inner / 6-5/8" Outer	4" Inner / 6-5/8" Outer
CSA P.4.1	71.45%	74.31%



Use the minimum clearances shown in the diagrams below:

U39-NG12 & U39-LP12 Clearances

- A Side Wall to Unit 7-1/2" / 190 mm
- B Back Wall to Unit 6" / 150 mm
- E Side Wall to Unit 2" / 50 mm

U39-NG12 & U39-LP12 Reference Dimensions

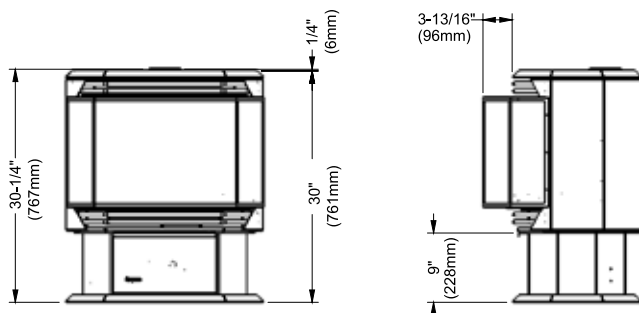
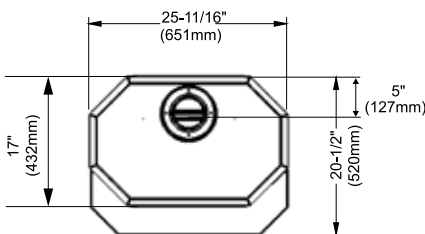
- C Back Wall to Flue Centerline 11"/280 mm
- D Side Wall to Flue Centerline 20-1/2"/521 mm
- F Side Wall to Flue Centerline 11"/280 mm

Minimum ceiling height is 36" / 914 mm from top of unit.

Vent pipe clearances to combustibles 1-1/4" (32mm).

Approved Venting Systems	
Flex Vent Systems:	FPI AstroCap™ Flex Vent
Rigid Pipe Vent Systems:	Simpson Direct Vent Pro® American Metal Products® Amerivent Direct Security Secure Vent® Selkirk Direct-Temp™ Metal-Fab® Sure Seal

Dimensions



U39-12 Gas Stove

Regency Direct Vent System Horizontal Terminations Only

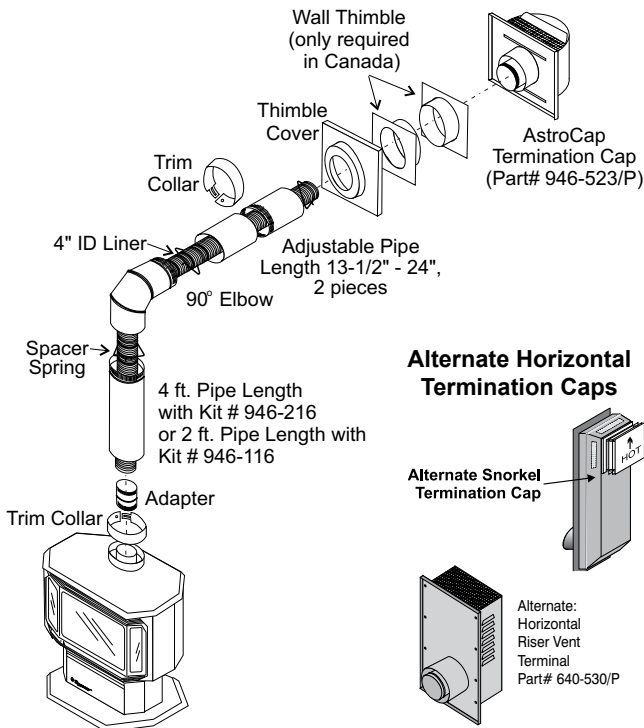
These venting systems, in combination with the **U39** Direct Vent Gas Fireplace, have been tested and listed as a direct vent heater system by Intertek. The location of the termination cap must conform to the requirements in the Vent Terminal Locations diagram.

FPI Horizontal Termination Kit includes all the necessary parts needed to install the U39.

FPI Kit #	Length	Contains:
#946-116	2 Feet	<ol style="list-style-type: none"> 6-5/8" Rigid Pipe Section (Kit length) 4" flexible liner (Kit length) spring spacers (4) 90° Elbow Adjustable pipe section 13-1/2" to 24" thimble cover (1) thimble (1) adaptor AstroCap termination cap (1)
#946-216	4 Feet	<ol style="list-style-type: none"> trim collar (2) tube of Mill Pac (1) S.S. screws #8 x 1-1/2", self-tap, (12) Blk. screws #8 x 1-1/2", self-tap, (14) Blk. screws #8 x 1-1/2" drill point, (4) S.S. screws #8 x 1-1/2" drill point, (4) wood screws #8 x 1" (8) vinyl siding standoff (optional #946-206)

Notes:

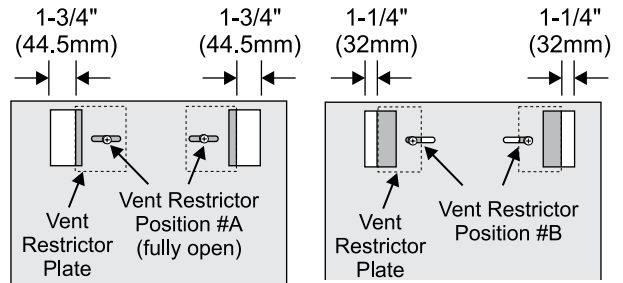
- Liner sections should be continuous without any joints or seams.
- Only Flex pipe purchased from Regency may be used for Flex installations.
- Horizontal sections must be supported every 3 feet.



If required by the external termination location the listed alternate termination caps may be used.

Vent Restrictor Position

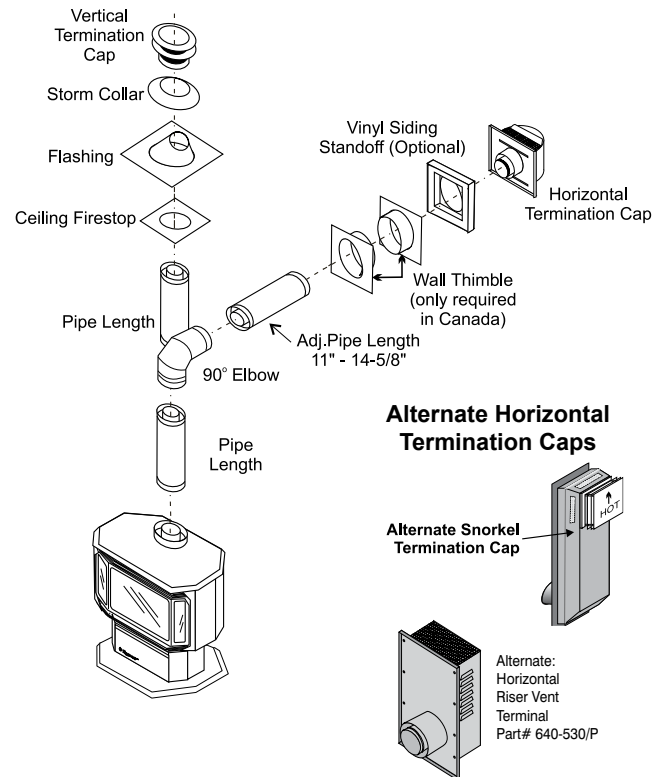
To set the Vent restriction as indicated in the diagram, simply loosen the screws and push the vent restrictor plate to the correct position. Tighten the screws.



Vent Restrictor setting at 38,000 Btu/h

Vent Restrictor setting at 30,000 Btu/h

Rigid Pipe Venting Systems Horizontal or Vertical Terminations



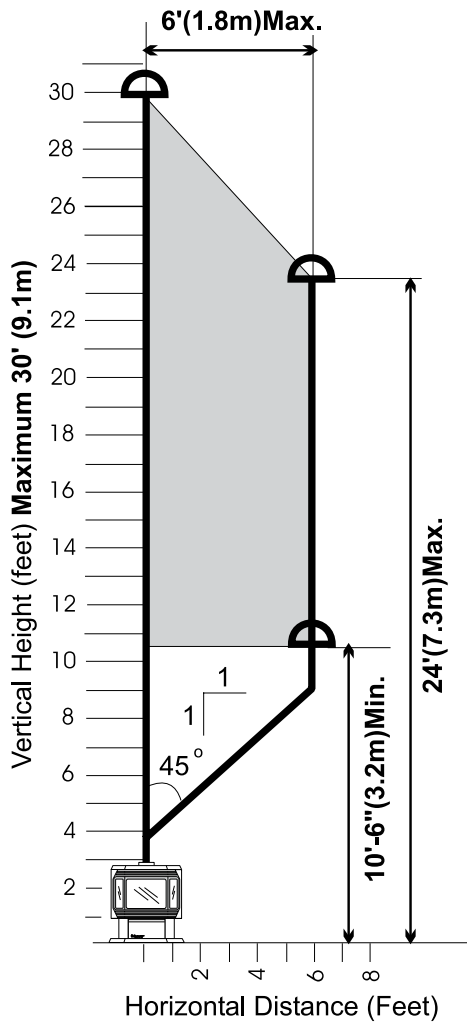
U39-12 Gas Stove

Vertical Terminations using Rigid Pipe Systems

The shaded area in the diagram below shows all allowable combinations of straight vertical and offset to vertical runs with vertical terminations. Maximum two 45° elbows.

If the vent is ENCLOSED in a chase (min. size 9" x 9") maintain a 1-1/4" clearance to combustibles.

May be installed in Manufactured (Mobile) Homes after first sale.

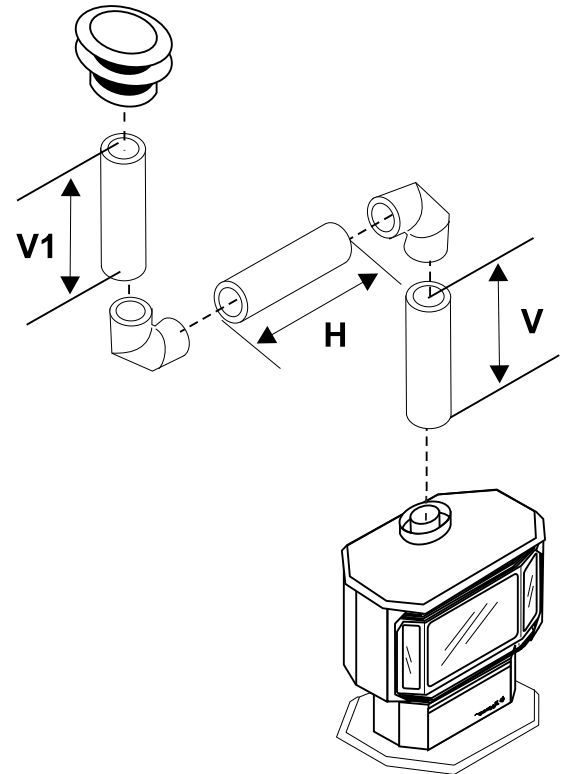


Vertical Venting with Two (2) 90° Elbows

<i>One 90° elbow = Two 45° elbows</i>				
Option	V	H	V1	V + V1
A)	1' Min.	1' Max.	1' Min.	2' Min.
B)	1' Min.	2' Max.	2' Min.	3' Min.
C)	2' Min.	3' Max.	2' Min.	4' Min.
D)	2' Min.	4' Max.	2' Min.	4' Min.

With these options, max. total pipe length is 30 feet with min. of 4 feet total vertical and max. 4 feet total horizontal.
Please note min. 1 foot between 90° elbows is required.

Lengths do not include elbow indicated.



U39-12 Gas Stove

Horizontal Terminations for All Venting Systems

The shaded areas in the diagram below show all allowable combinations of vertical runs with horizontal terminations. Maximum one 90° elbow (two 45° elbows equal one 90° elbow).

**Propane and Natural Gas:
Residential, Manufactured and Mobile Homes Installations**

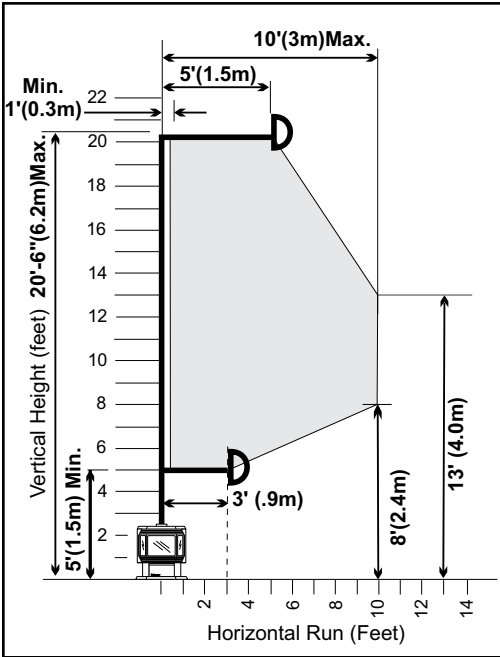
May be installed in Manufactured (Mobile) Homes after first sale.

Horizontal Venting with Two (2) 90° Elbows

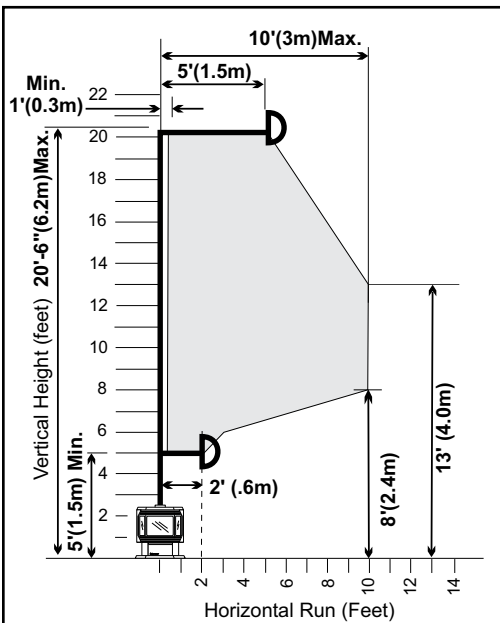
Two 45° elbows = One 90° elbow

Option	V	H + H1	Maximum total pipe length, of all sections, must not exceed 30 feet.
A)	3' Min.	2' Max.	Total horizontal sections must not exceed 8 feet.
B)	5' Min.	3' Max.	Minimum of 1 foot between 90° elbows is required.
C)	6' Min.	4' Max.	

Vent Restrictor in position "C" (Center).



0-4500'
NG - @35,000 Btu/hr #35
LP - @32,500 Btu/hr #51



0-2000'
NG - @38,000 Btu/hr #32
LP - @38,000 Btu/hr #49

