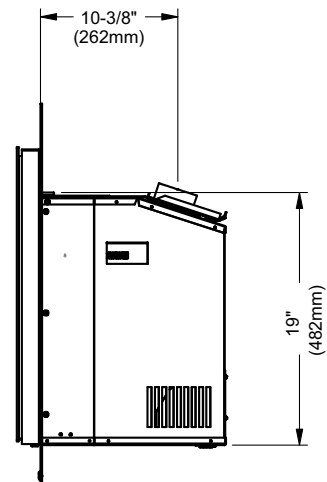
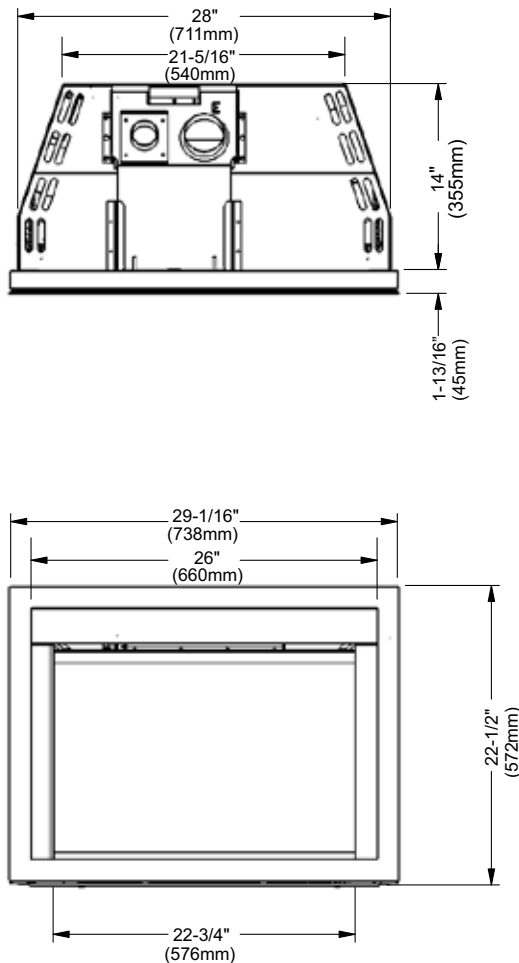


HRI3E Gas Insert

| Model | HRI3E-NG11 | HRI3E-LP11 |
|--|--------------------------------|--------------------------------|
| Fuel Type | Natural Gas | Propane |
| Minimum Supply Pressure | 5" W.C. (1.25 kPa) | 11" W.C. (2.73 kPa) |
| Manifold Pressure - High | 3.5" W.C. (0.95 kPa) | 10" W.C. (2.49 kPa) |
| Manifold Pressure - Low | 1.6" W.C. (0.40 kPa) | 6.4" W.C. (1.59 kPa) |
| Orifice Size - Altitude 0-4500 ft. | #45 DMS | #55 DMS |
| Minimum Input Altitude 0-4500 ft. (0-1372m) | 14,000 BTU/h (4.10 kW) | 15,500 BTU/h (4.54 kW) |
| Maximum Input Altitude 0-4500 ft. (0-1372m) | 19,500 BTU/h (5.71 kW) | 19,000 BTU/h (5.57kW) |
| Vent Sizing | 3"x 2" Co-linear (Standard) | 3"x 2" Co-linear (Standard) |
| CSA P.4.1 | 64.36% | 66.24% |

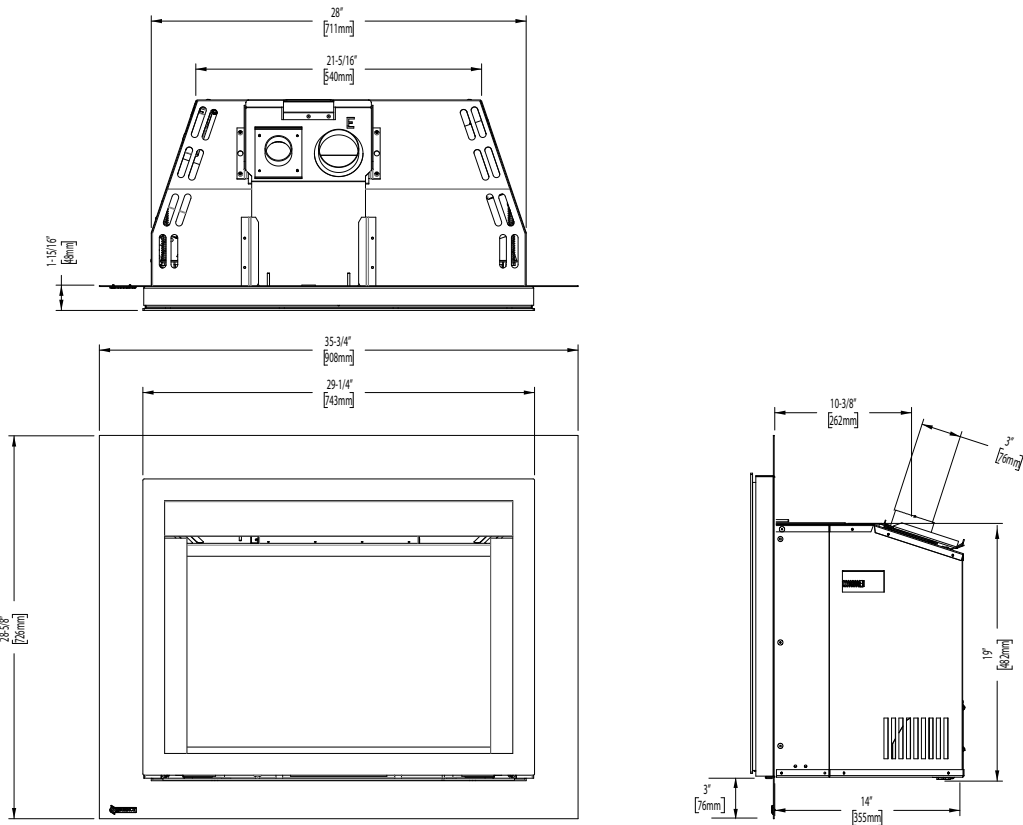


Unit Dimensions with Vignette Faceplate

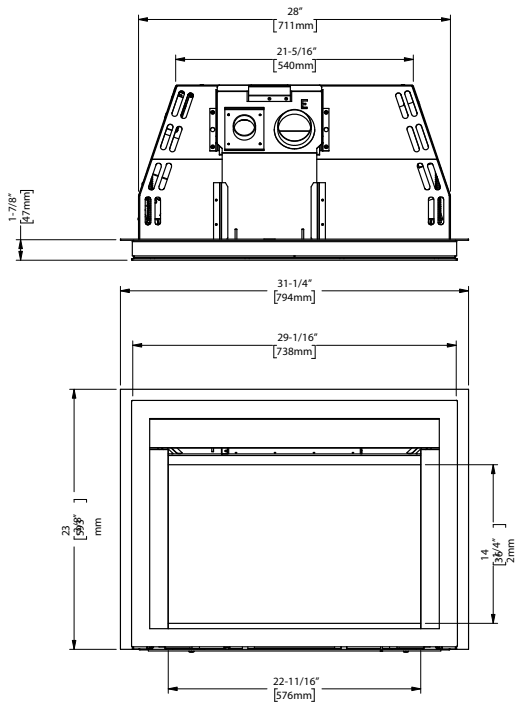


HRI3E-11 Gas Insert

Unit Dimensions with 4 Sided Vignette Faceplate + Backing Plate



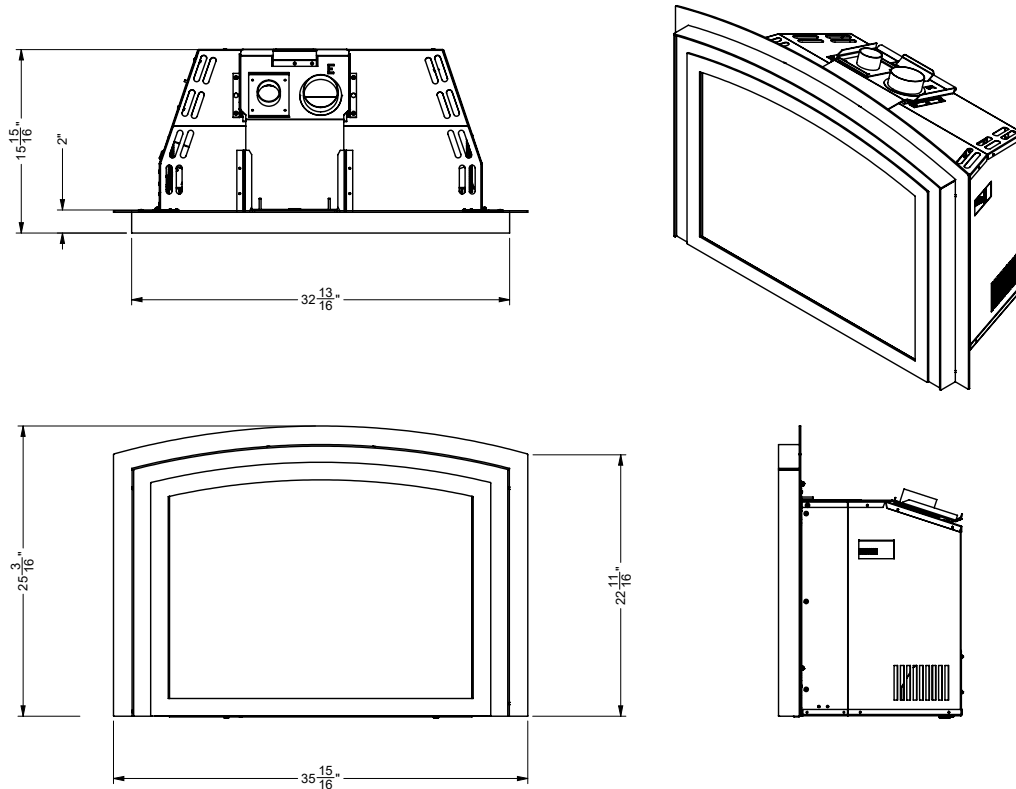
Unit Dimensions with Vignette Faceplate + Small Backing Plate



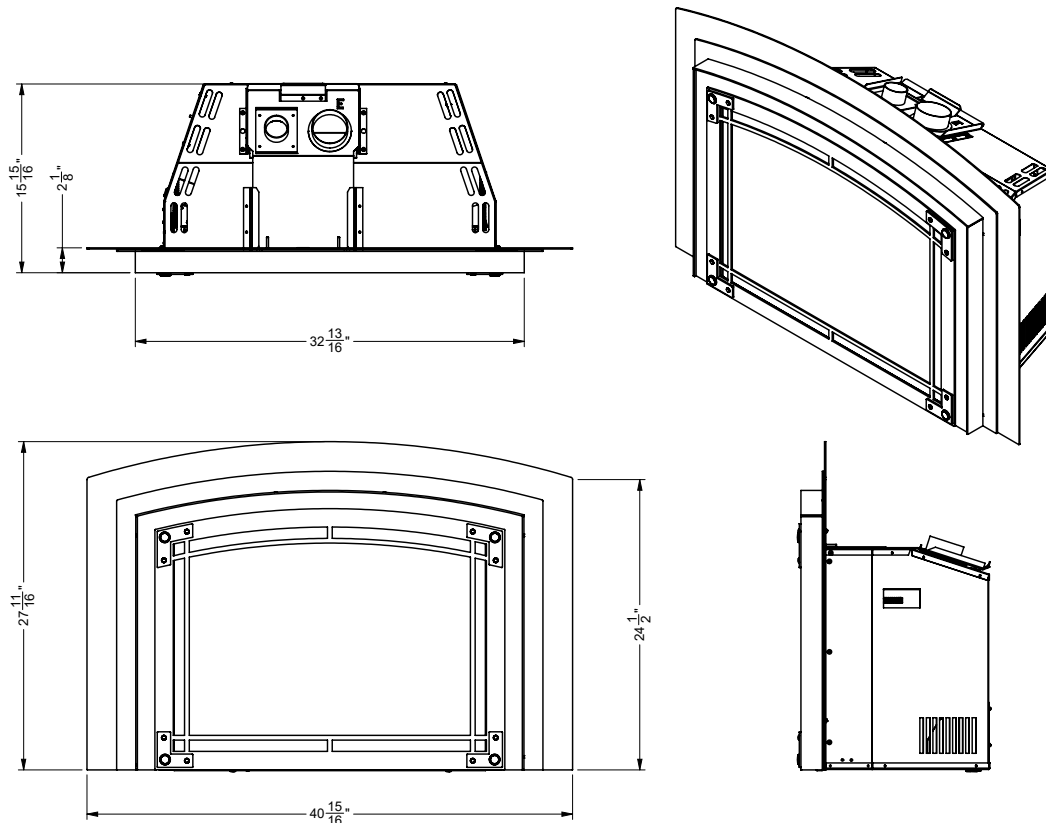
Not Shown:
 Regular backing plate - 35-3/4" W x 25-5/8" H
 Oversize backing plate - 38-3/16" W x 29-5/8" H

HRI3E-11 Gas Insert

Unit Dimensions with Arched Vignette Faceplate



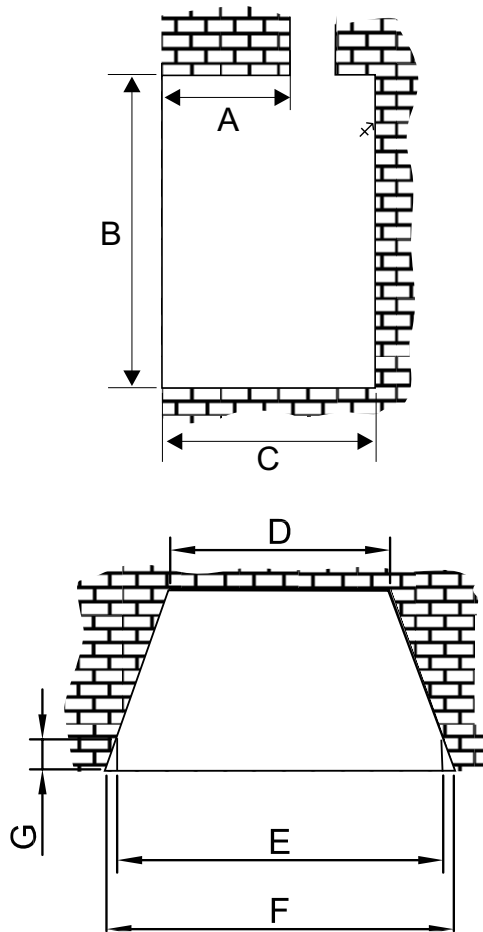
Unit Dimensions with Arched Vignette Faceplate + Backing Plate



HRI3E-11 Gas Insert

Minimum Fireplace Dimensions

The minimum fireplace clearances & dimensions for the Regency gas insert are shown in the following diagrams:



| | Max Lintel Bar Depth A | Height B | Depth C | Width (rear) D | Width (front) E | Width F | Front Depth To Taper G |
|---------------------------------|------------------------------|-------------|------------|----------------------|-----------------------|------------|------------------------------|
| Vignette Faceplate | 8-5/8" | 19-1/2" | 14-1/2" | 21-5/8" | 28-1/2" | 31-1/8" | 4" |
| Arched Vignette Faceplate | 8-5/8" | 19-1/2" | 14-1/2" | 21-5/8" | 28-5/8" | 31-1/8" | 4" |

HRI3E-11 Gas Insert

Minimum Clearances to Combustibles

The clearances listed below are minimum distances unless otherwise stated.

A major cause of fires is failure to maintain required clearances (air space) to combustible materials. It is of the greatest importance that this decorative gas appliance be installed only in accordance with these instructions.

| Clearance: | Dimension | Measured From: |
|--------------------------------|-----------------------------|---|
| A: Sides | 6" / 152 mm | ***From inside edge of faceplate / doors |
| B: Ceiling | 60" / 1524 mm | From Base of Unit |
| C: Mantel (Min. Height) | *28" / 711mm 38" / 965mm | From Base of Unit From Base of Unit |
| D:Min. Hearth Depth | 12" / 305mm | Not required if unit raised 3-1/2" off floor |
| E: Min. Hearth Length | 36" / 914mm | |
| G: Max. Mantel Depth | 0 -12" / 305 mm | @ 47" (1193mm) from bottom of unit without deflector @12" (305mm) deep @ 37" (940mm) from bottom of unit with 3-1/2" deflector @12" (305mm) deep |
| K: Min. Alcove Width | 54" / 1372 mm | |
| L: Max. Alcove Depth | 36" / 914 mm | |
| M: Mantel Deflector | 3-1/2" / 89mm | |

NOTE: 36" (914 mm) wide x 12" (305mm) deep non combustible hearth is required in front of the appliance, unless the unit is raised 3-1/2" (89 mm) off the floor surface.
***An optional 3-1/2" deflector, reduces the mantel height to 28" from bottom of unit @ 1" depth.**
(J): *Measured from inside edge of faceplate/doors - Reference Only: 27-1/4" / 692mm**

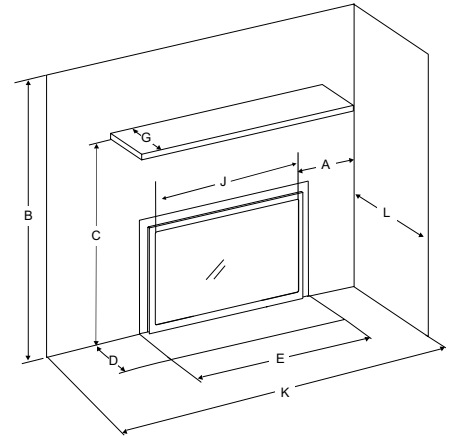


Diagram 1

MANTEL CLEARANCES WITHOUT DEFLECTOR

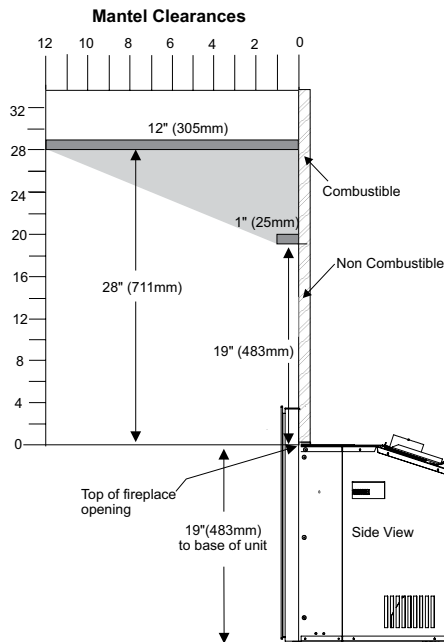


Diagram 2

MANTEL CLEARANCES WITH 3-1/2" DEFLECTOR

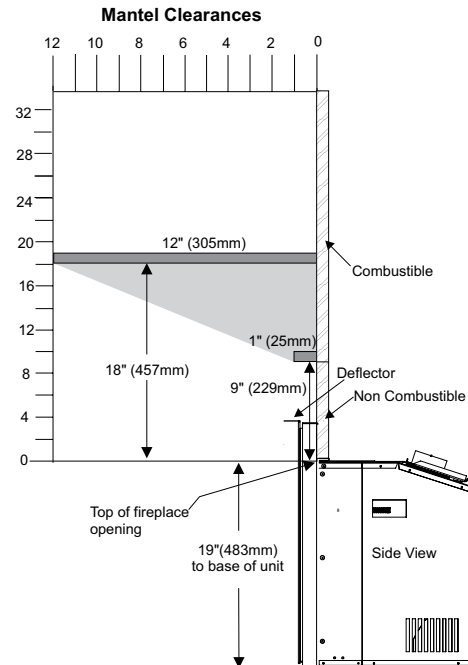


Diagram 3

WARNING

Although this appliance passes safety certification, the hearth in front of the fireplace becomes very hot when the fireplace heats. Do not use the hearth as a seat or shelf.

Note: A 3-1/2" mantel deflector to reduce mantel height to 28" from bottom of unit @ 1" depth.

A non-combustible mantel may be installed at a lower height if the framing is made of metal studs covered with a non-combustible board. The non-combustible mantel when installed at a lower

overall height may not be lower than 6 inches from the top of the fireplace opening.

Note: All material used must be completely non-combustible.