

## Hampton™ Hi2450-2 Wood Insert

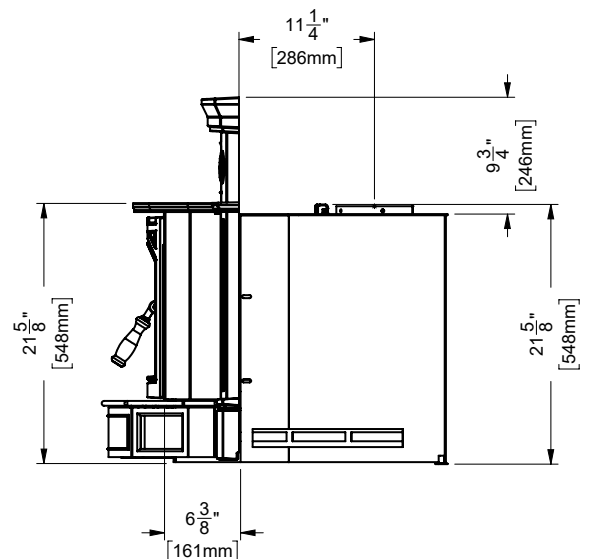
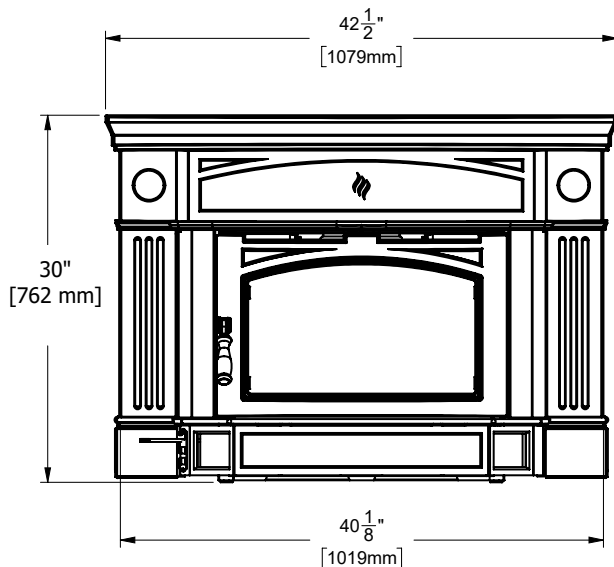
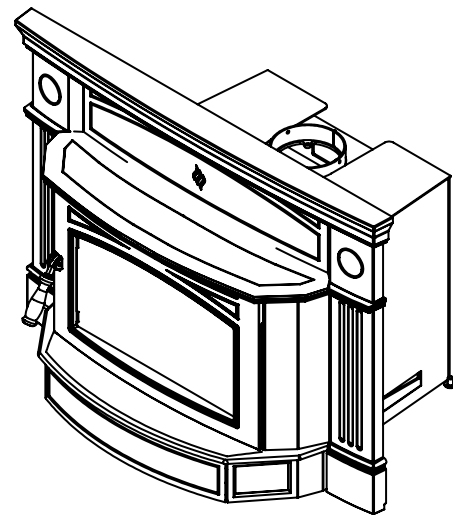
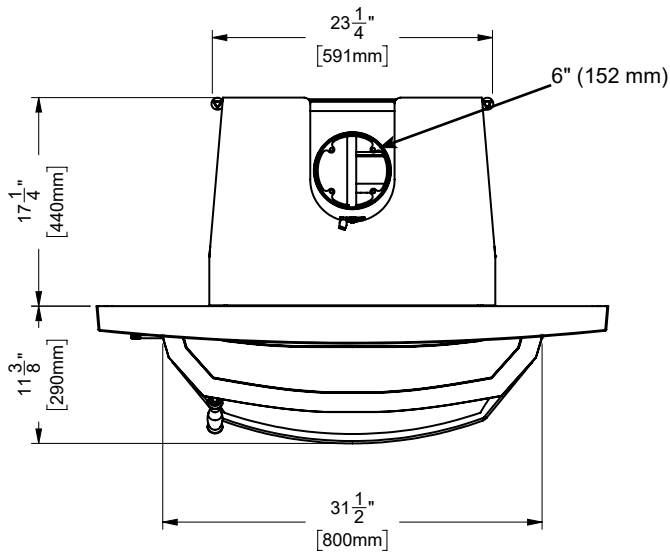
Model	Hi2450-2
Maximum Cordwood BTU's	75,000 BTU's
Emissions (grams/hr) EPA Certified	1.6 grams/hr
Efficiency (EPA HHV)*	70.3%
Efficiency (EPA LHV)	76%
Flue Size	6" (152mm)
US Biomass Tax Rebate Eligible	No
Maximum Log Size	18" (457mm)
Firebox Size	2.3 cu.ft.

NOTE: Available in metallic black or timberline brown enamel finish.

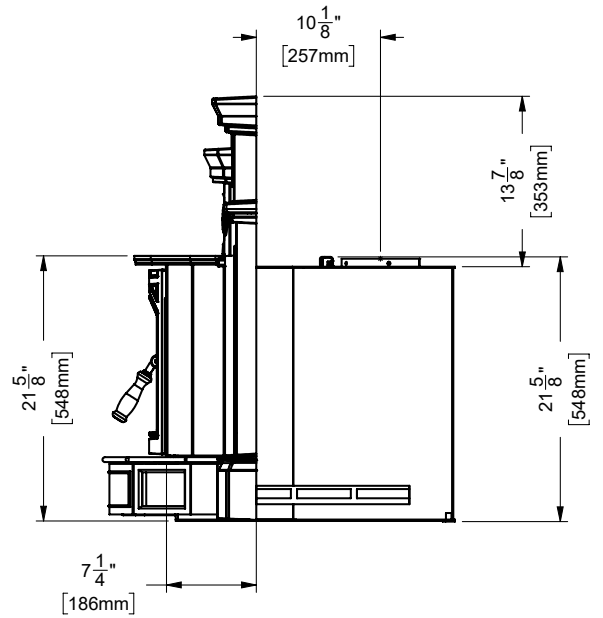
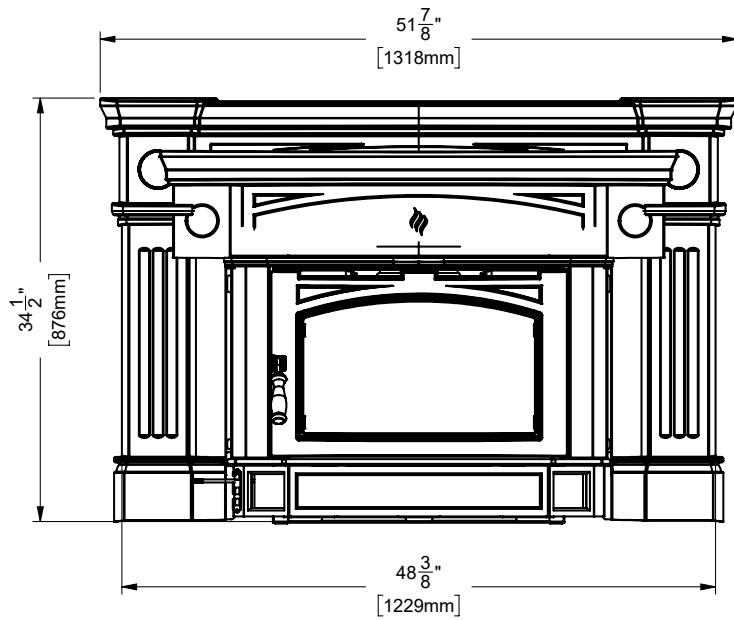
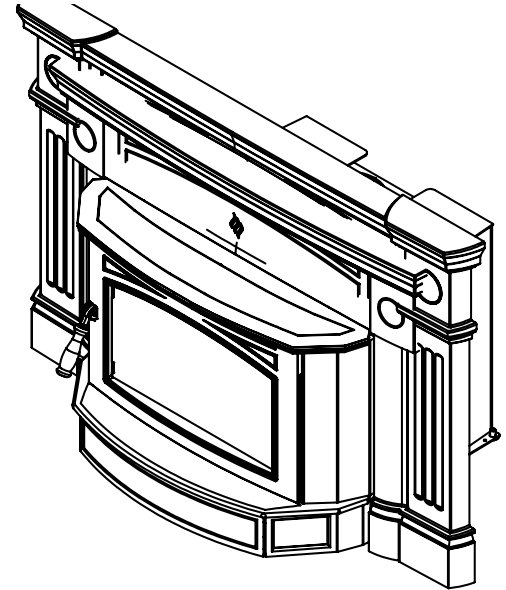
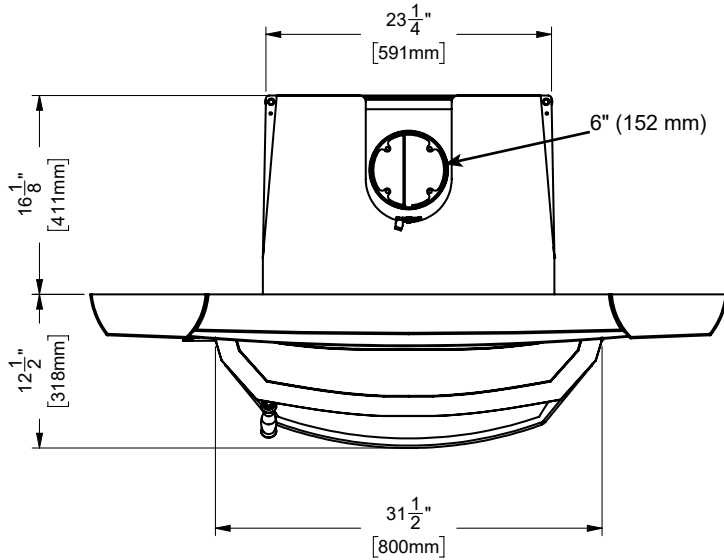
\*US Biomass Tax Rebate eligibility is based on the HHV value being greater than or equal to 75%.



### DIMENSIONS WITH REGULAR FACEPLATE



**DIMENSIONS WITH OVERSIZE FACEPLATE**



## CLEARANCES

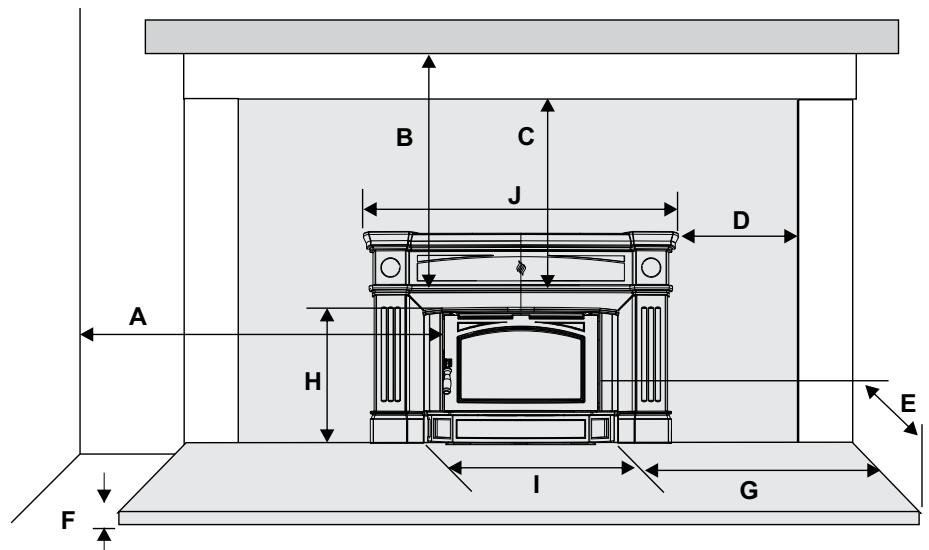
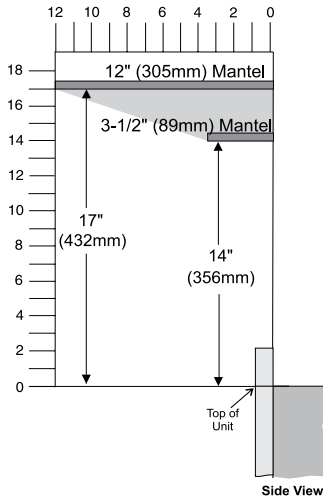
### MASONRY FIREPLACE CLEARANCES

The minimum required clearances to combustible materials when installed into a masonry fireplace are listed below.

Unit Hi2450-2	Adjacent Side Wall (to Side) <b>A</b>	Mantle ** (to Top of Unit) <b>B</b>	Top Facing (to Top of Unit) <b>C</b>	Side Facing <b>D</b>	Minimum Hearth Extension* <b>E</b>	Minimum Hearth Thickness <b>F</b>	Minimum Hearth Side Extension* <b>G</b>	To Top of Unit (Reference Dimension Only) <b>H</b>	From Side of Unit (Reference Dimension Only) <b>I</b>	Faceplate Width (Reference Only) <b>J</b>
	12" (305 mm)	14" (356 mm) for 3-1/2" (89 mm) mantel 17" (432 mm) for 12" (305 mm) mantel	14" (356 mm)	1/2" (13 mm) to side surround/faceplate	16" (406 mm) USA 18" (457 mm) Canada	1/2" (13 mm)	8" (203 mm)	21-5/8" (548 mm)	31-1/2" (800 mm)	Regular Faceplate 42-1/2" (1079 mm) Oversize Faceplate 51-7/8" (1318 mm)

Side and Top facing is a maximum of 1-1/2" (38mm) thick.

If top/side facing trim protrudes more than 1-1/2"(38 mm) follow mantle (B)\*\* & adjacent side wall (A) for proper clearances.



Clearance Diagram for Installations

**Clearances are critical.**

\*\*Mantel can be installed anywhere in shaded area or higher using the above scale.

**Note: Ensure the paint that is used on the mantel and the facing is "heat resistant" or the paint may discolour.**

### WOOD INSERT SPECIFICATIONS

Your fireplace opening requires the following minimum sizes:

**Height:** 21-1/2" (546 mm)  
**Width:** 25" (635 mm)  
**Depth:** 17" (432 mm)

Two faceplates are available to seal the fireplace opening:

<b>Standard</b> 40" W x 30" H (1016 mm W x 762 mm H)	<b>Oversize</b> 48" W x 34-9/16" H (1219 mm W x 878 mm H)
42-1/2" W x 30" H (1080 mm W x 762 mm H)	51-7/8" W x 34-9/16" H (1318 mm W x 878 mm H)

#### \*Floor Protection

Floor thermal insulation/protection Type 2 with a R value of 1.4 is required if the unit is raised 0 - 2-1/2" (0-64 mm) (measured from the bottom of the appliance).

Thermal floor protection (Type 1) is not required when unit is raised greater than 2-1/2" (64 mm) (measured from the bottom of the appliance).

Please check to ensure that your floor protection and hearth will meet the standards for clearance to combustibles. Your hearth extension must be made from a non-combustible material. Extending 16" (406 mm) for US and 18" (457 mm) for Canada—measured from the fuel loading door opening.

**G measurement (minimum hearth extension) is taken from the side of the unit for both U.S.A/Canada.**

## INSTALLATION INTO A MASONRY FIREPLACE

Regency Inserts are constructed with the highest quality materials and assembled under strict quality control procedures that insure years of trouble free and reliable performance.

It is important that you read this manual thoroughly and fully understand the safe installation and operating procedures. The more you understand the way your Regency Insert operates, the more enjoyment you will experience from knowing that your unit is operating at peak performance.

**WARNING: The room heater shall not be installed in a factory-built fireplace.**

### BEFORE INSTALLING YOUR INSERT

1. Please read this entire manual before you install and use your new wood insert. Failure to follow instructions may result in property damage, bodily injury or even death. Install and use only in accordance with manufacturer's installation and operating instructions.

2. Check your local building codes - Building Inspection Department. You may require a permit before installing your insert. **Be aware that local codes and regulations may override some items in the manual.**

**WARNING: Careless installation is the major cause of safety hazard. Check all local building and safety codes before installation of unit.**

3. Notify your home insurance company that you plan to install a fireplace insert or hearth heater.

4. Your fireplace insert is heavy and requires two or more people to move it safely. The insert can be badly damaged by mishandling.

5. If your existing fireplace damper control will become inaccessible once you have installed your Regency Insert, you should either remove or secure it in the open position.

6. Inspect your fireplace and chimney prior to installing your insert to determine that it is free from cracks, loose mortar or other signs of damage. If repairs are required, they should be completed before installing your insert. Do not remove bricks or mortar from your masonry fireplace.

7. **Do not connect the insert to a chimney system servicing another appliance or an air distribution duct.**

When referencing installation or connection to masonry fireplaces or chimneys, the masonry construction must or shall be code complying.

## CHIMNEY SPECIFICATIONS

Before installing, check and clean your chimney system thoroughly. If in doubt about its condition, seek professional advice. Your Regency Insert is designed for installation into a masonry fireplace that is constructed in accordance with the requirements of "The Standard for Chimneys, Fireplaces, Vents, and Solid Fuel Burning Appliance", N.F.P.A. 211, the National Building Code of Canada, or the applicable local code requirements.

The appliance, when installed, must be electrically grounded in accordance with local codes or, in the absence of local codes, with the National Electrical Code, ANSI/NFPA 70, or the Canadian Electrical code, CSA C22.1.

Regency Inserts are designed to use either a 5-1/2" (140 mm) or 6" (152 mm) flue.

#### ULC628-2022 - Canada

**This fireplace insert must be installed with a continuous chimney liner liner of 5-1/2 or 6 inch diameter extending from the fireplace insert to the top of the chimney.**

**The chimney liner must conform to the class 3 requirements of CAN/ULS-S635 Standard for lining systems for existing Masonry or factory built chimneys and vents or to the requirements of CAN/ULC-S640, Standard for lining systems for new masonry chimneys.**

#### UL1482-2022 - U.S.A

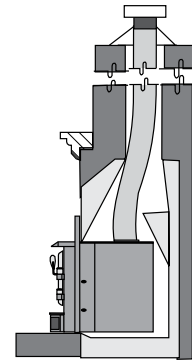
**A chimney complying with the requirement for type HT chimneys in the standard for chimneys, factory built residential and building heating appliance UL103 or a code approved masonry chimney liner with a flue liner.**

**This fireplace insert must be installed with a continuous chimney liner liner of 5.5 or 6 inch diameter extending from the fireplace insert to the top of the chimney.**

**When this room heater is not properly installed, a house fire may result. To reduce the risk of fire follow the installation instructions. Contact local building or fire official as about restrictions and installation requirements in your area.**

## DRAFT

Draft is the force which moves air from the appliance up through the chimney. The amount of draft in your chimney depends on the length of the chimney, local geography, nearby obstructions and other factors. Too much draft may cause excessive temperatures in the appliance and may cause damage. An uncontrollable burn or excessive temperature indicates excessive draft. Inadequate draft may cause back puffing into the room and plugging of the chimney. Inadequate draft will cause the appliance to leak smoke into the room through appliance and chimney connector joints. Ensure the heater is installed in areas that are not too close to neighbors or in valleys that would cause unhealthy air quality or nuisance conditions.



Recommended chimney height from top of flue collar: Minimum 15 feet (4.6 meters)

The Straight Flue Adaptor (Part #846-504), may be used to produce a secure connection between your flue connector and the insert collar. Detailed installation instructions are included with the kit.

948-412/P 6" Flue Offset Adaptor (Offsets back 4")

**NOTE** Note: If the fireplace has been modified to accommodate a fireplace liner, the installer is to attach the metal tag to the fireplace using screws or nails, in a location readily visible should the fireplace insert be removed.  
A metal tag is supplied with this wood insert.

#### IMPORTANT:

##### Smoke and CO Detectors:

Make sure your home has a working smoke and CO detector, especially near any bedrooms. We recommend having a smoke and CO detector in the same room as the wood appliance for additional safety. Location of both detectors should be chosen wisely to avoid false alarms when reloading the appliance.

##### Fire Extinguisher:

A fire extinguisher should be installed in the home. The location of the fire extinguisher should be known by all family members.