

LRI4E Gas Insert

Model	LRI4E-NG11	LRI4E-LP11
Fuel Type	Natural Gas	Propane
Minimum Supply Pressure	5" W.C. (1.25 kPa)	11" W.C. (2.73 kPa)
Manifold Pressure - High	3.5" W.C. (0.87 kPa)	10" W.C. (2.48 kPa)
Manifold Pressure - Low	1.6" W.C. (0.41 kPa)	6.4" W.C. (1.59 kPa)
Orifice Size -Altitude 0-4500 ft.	#35 DMS	#53 DMS
Minimum Input Altitude 0-4500 ft. (0-1372m)	22,000 BTU/h (6.45 kW)	26,000 BTU/h (7.62 kW)
Maximum Input Altitude 0-4500 ft. (0-1372m)	31,000 BTU/h (9.09 kW)	31,000 BTU/h (9.09 kW)
Vent Sizing	3"x 3" Co-linear (Standard)	3"x 3" Co-linear (Standard)

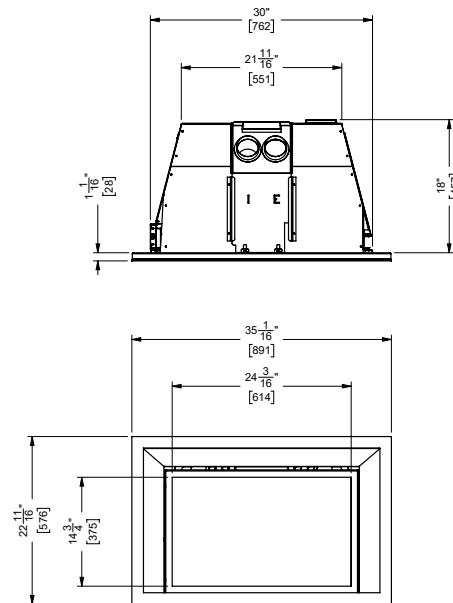
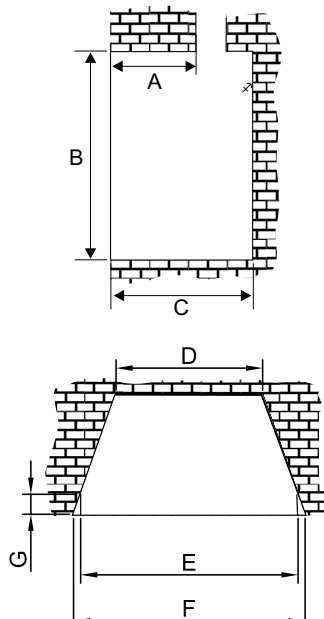
Approved Venting Systems	
Flex Vent Systems:	Colinear termination 946-529
Alternative Approved Terminations	Must use 46DVA-GK along with 46DVA-VCH or 46DVA-VC Duravent termination caps



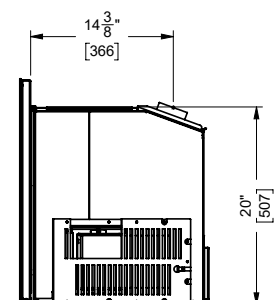
UNIT DIMENSIONS W/VIGNETTE FACEPLATE

MINIMUM FIREPLACE DIMENSIONS

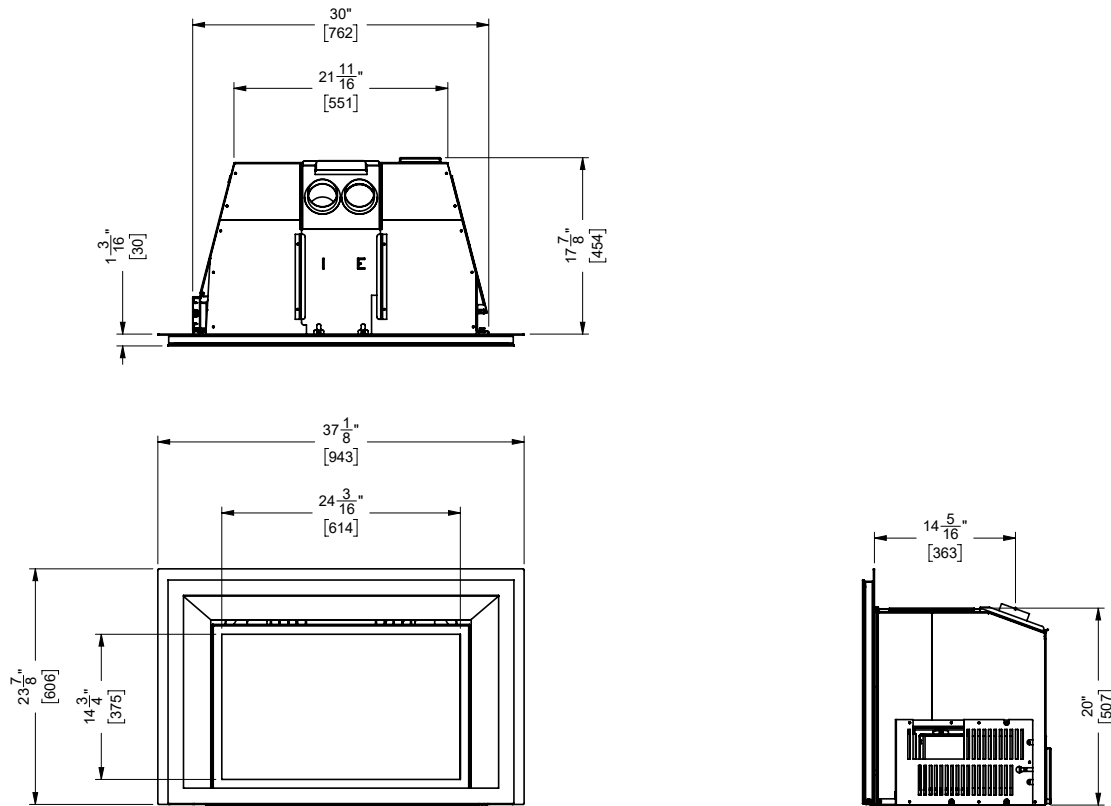
The minimum fireplace clearances and dimensions for the Regency gas insert are shown in the following diagrams



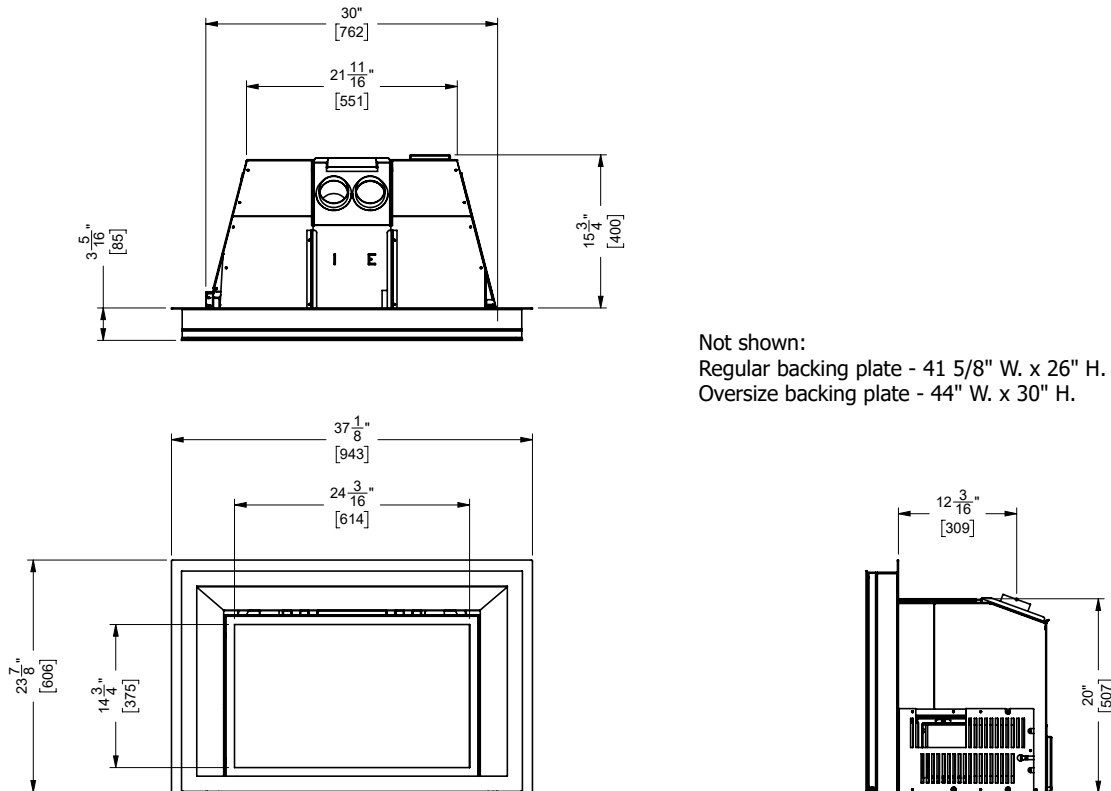
	Max Lintel Bar Depth A	Height B	Depth C	Width (rear) D	Width (front) E	Width F	Front Depth To Taper G
Vignette Faceplate	12-1/4"	20"	18"	22"	30"	35-5/8"	4-3/8"
Vignette Faceplate w/Spacer	10"	20"	15-3/4"	22"	30"	31-1/4"	2-1/8"
Arched Faceplate	14"	21-1/2"	21-1/8"	22"	30-1/2"	37"	5-3/8"
Arched Faceplate w/Spacer	12-1/2"	20"	17-1/2"	22"	30"	36-1/4"	4"



UNIT DIMENSIONS WITH VIGNETTE FACEPLATE + SMALL BACKING PLATE

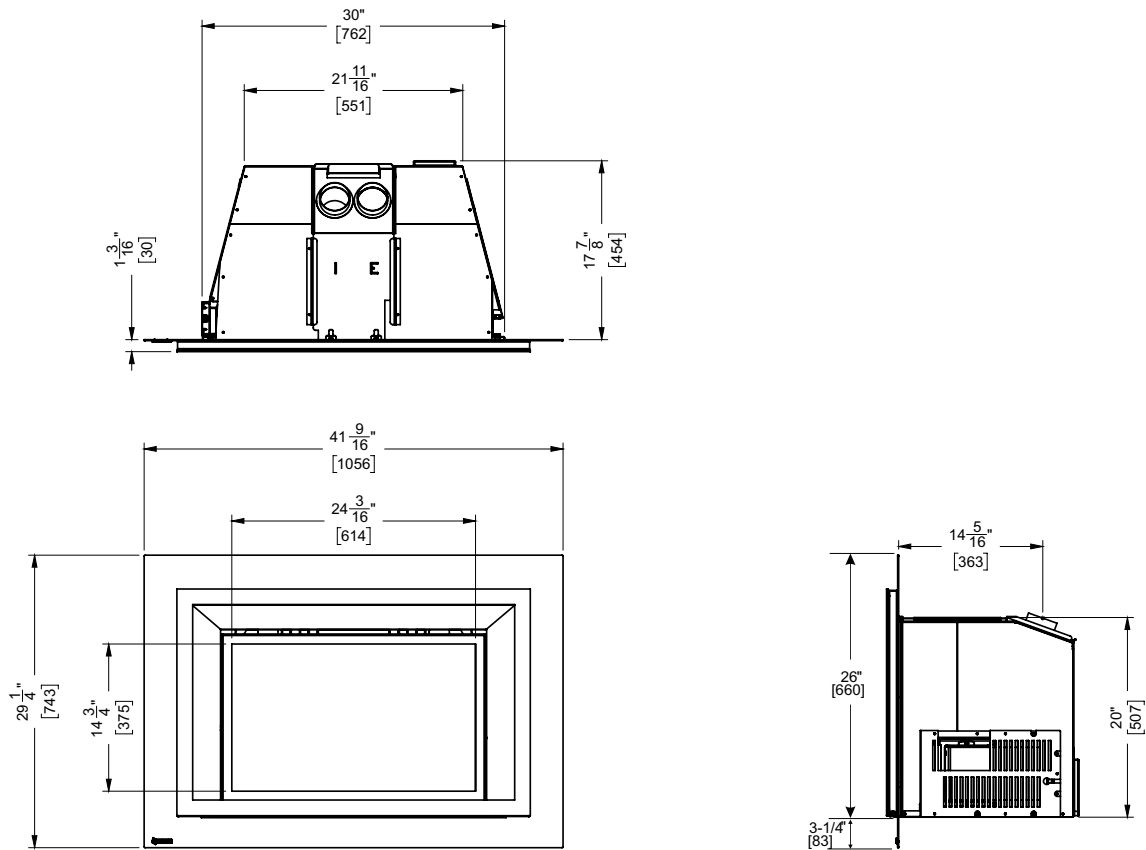


UNIT DIMENSIONS WITH VIGNETTE FACEPLATE + SMALL BACKING PLATE + SPACER

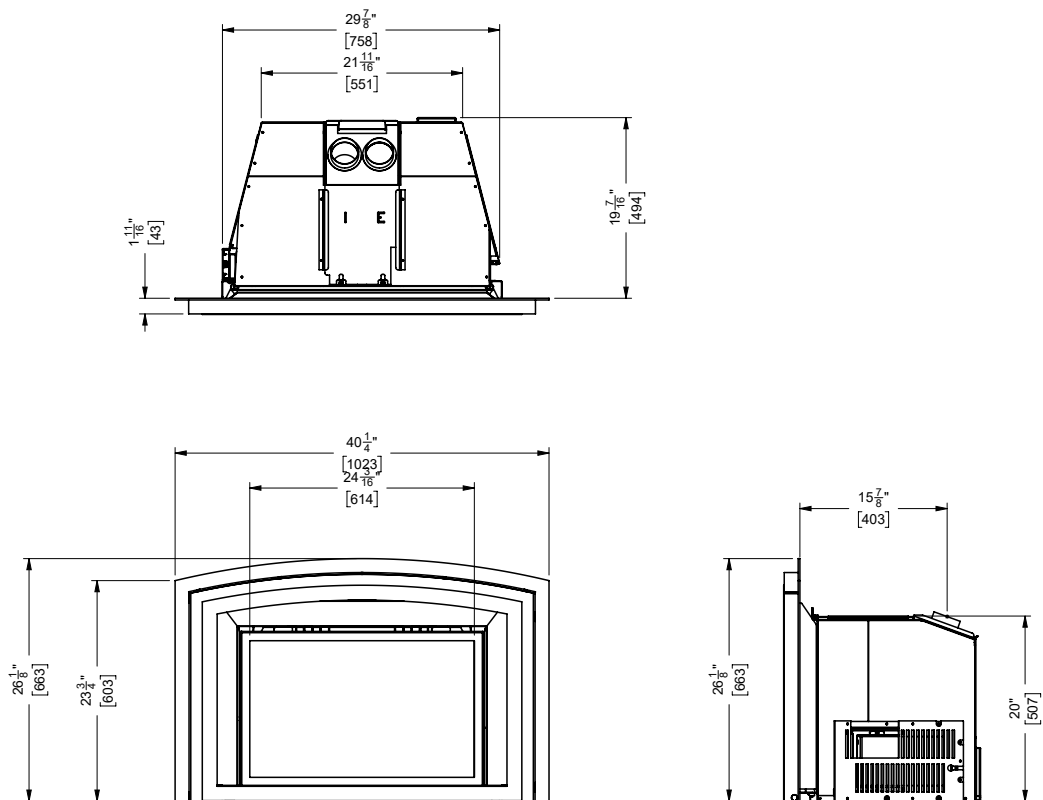


Not shown:
Regular backing plate - 41 5/8" W. x 26" H.
Oversize backing plate - 44" W. x 30" H.

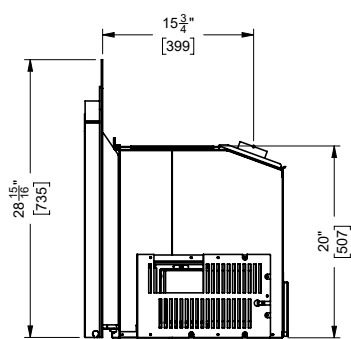
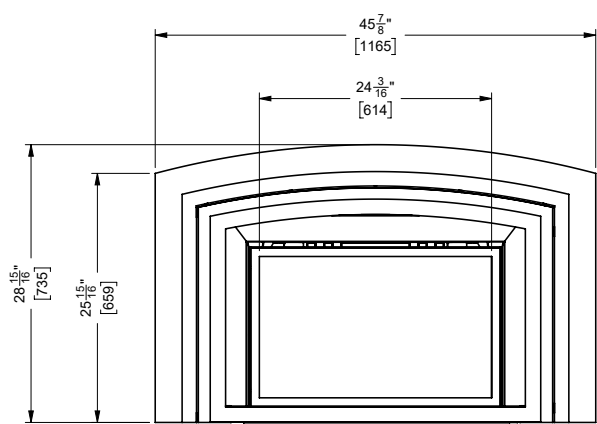
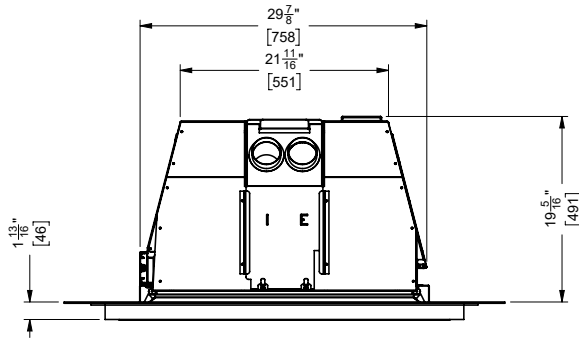
UNIT DIMENSIONS WITH 4 SIDED VIGNETTE FACEPLATE + BACKING PLATE



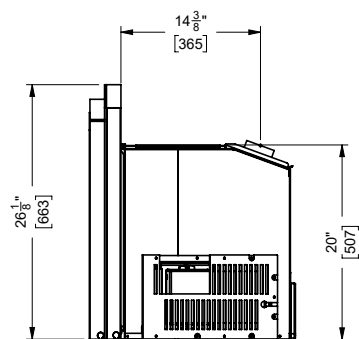
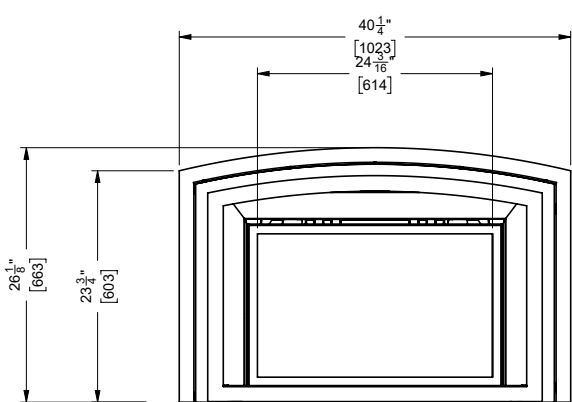
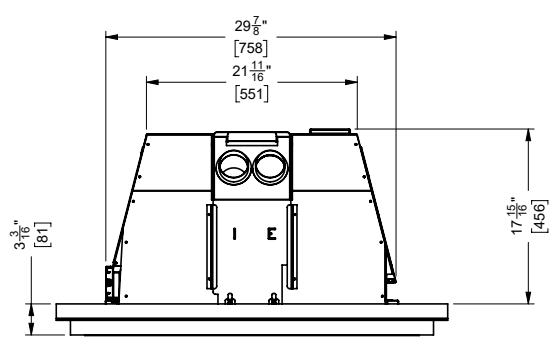
UNIT DIMENSIONS WITH ARCHED VIGNETTE FACEPLATE (OPTIONAL)



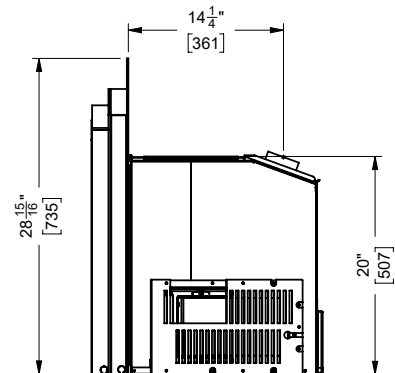
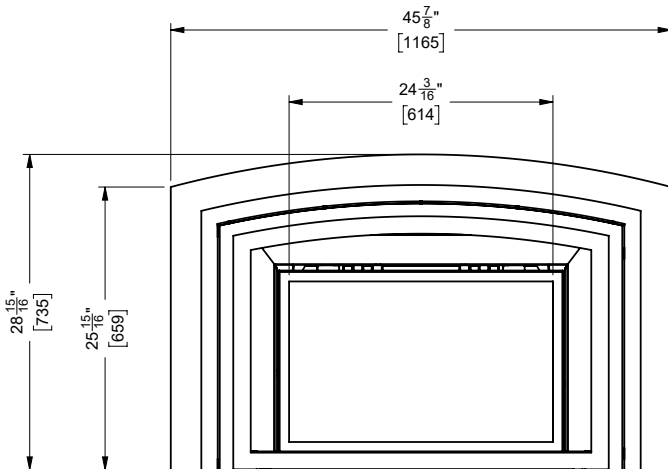
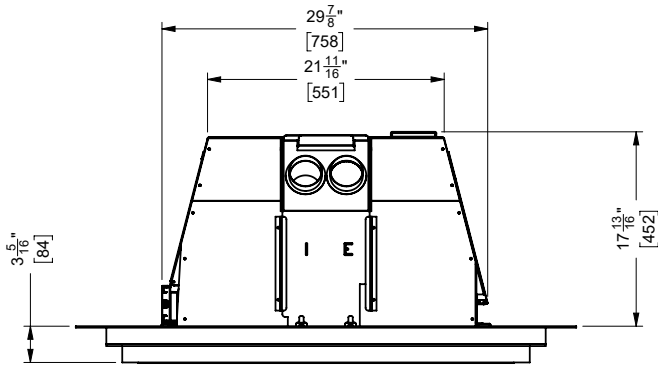
UNIT DIMENSIONS WITH ARCHED VIGNETTE FACEPLATE + BACKING PLATE



UNIT DIMENSIONS WITH ARCHED VIGNETTE FACEPLATE + SPACER



UNIT DIMENSIONS WITH ARCHED VIGNETTE FACEPLATE + SPACER + BACKING PLATE



MINIMUM CLEARANCES TO COMBUSTIBLES

The clearances listed below are Minimum distances unless otherwise stated:

A major cause of fires is failure to maintain required clearances (air space) to combustible materials. It is of the greatest importance that this decorative gas appliance be installed only in accordance with these instructions.

Clearance:	Dimension	Measured From:
A: Sides	8" / 203mm	***From inside edge of faceplate / doors
B: Ceiling	60" / 1524mm	From Base of Unit
C: Mantel (Min. Height)	*32" / 813mm 35" / 889mm	From Base of Unit From Base of Unit
D: Min. Hearth Depth	14" / 356mm	
E: Min. Hearth Length	40" / 1016mm	
G: Max. Mantel Depth	0 -12" / 305mm	@ 44" (1118mm) from bottom of unit
K: Min. Alcove Width	54" / 1372mm	
L: Max. Alcove Depth	36" / 914mm	
M: Mantel Deflector	3-1/2" / 89mm	

NOTE: 40" (1016 mm) wide x 14" (356mm) deep hearth is required, unless the unit is raised 6" (152 mm) off the floor surface.
 *An optional 3-1/2" deflector, reduces the mantel height to 32" from bottom of unit @ 1" depth.
(J): ***Measured from inside edge of faceplate/doors - Reference only: 27-9/16" (700mm)

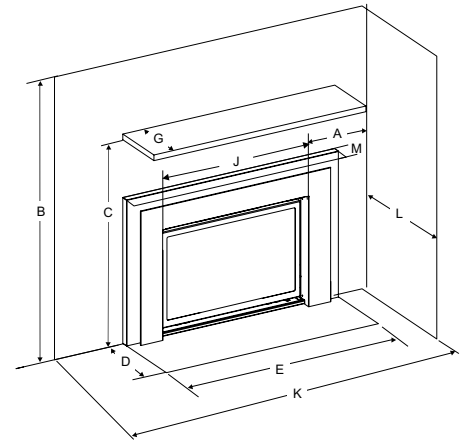


Diagram 1

MANTEL CLEARANCES WITHOUT DEFLECTOR

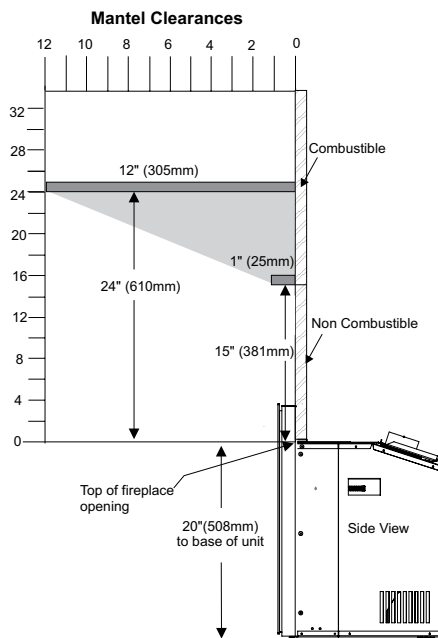


Diagram 2

MANTEL CLEARANCES WITH 3-1/2" DEFLECTOR

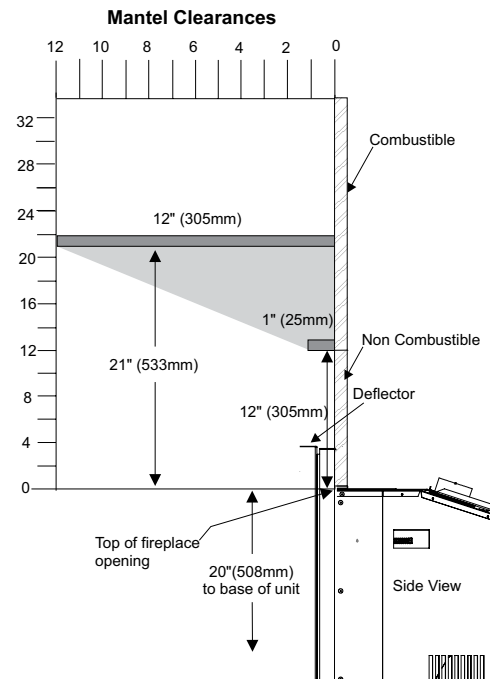


Diagram 3

WARNING

Although this appliance passes safety certification, the hearth in front of the fireplace becomes very hot when the fireplace heats. Do not use the hearth as a seat or shelf.

Note: A 3-1/2" mantel deflector to reduce mantel height to 32" from bottom of unit @ 1" depth.

A non-combustible mantel may be installed at a lower height if the framing is made of metal studs covered with a non-combustible board. The non-combustible mantel when installed at a lower overall height may not be lower than 6 inches from the top of the fireplace opening.

Note: All material used must be completely non-combustible.