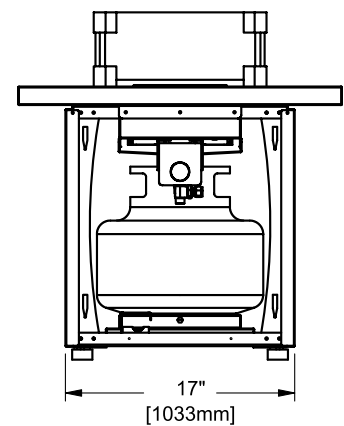
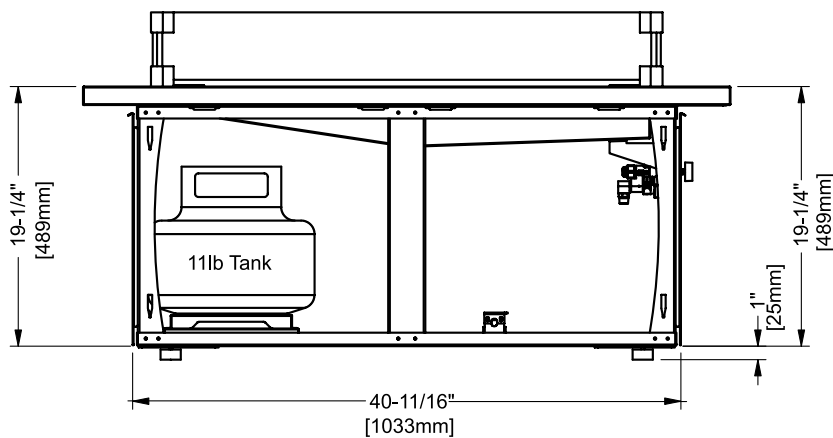
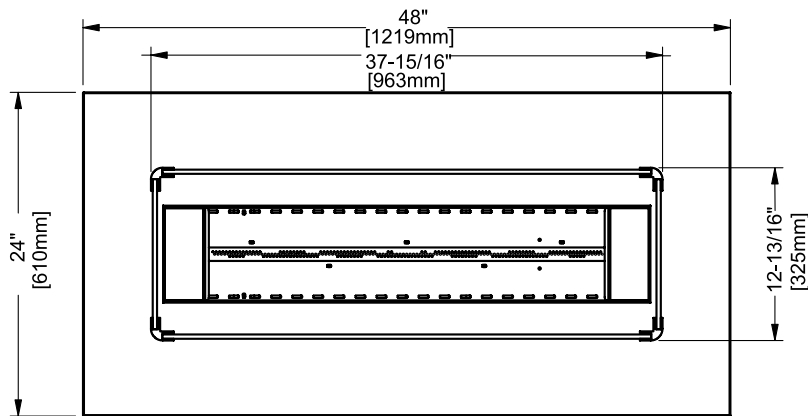


PTO30 Outdoor Decorative Fireplace

MODEL	PTO30CFT-NG11	PTO30CFT-LPG11
Fuel Type	Natural Gas	Propane
Maximum Supply Pressure	14" W.C. (3.49 kPa)	14" W.C. (3.49 kPa)
Minimum Supply Pressure	5" W.C. (1.25 kPa)	12" W.C. (2.99 kPa)
Manifold Pressure - High	3.5" W.C. (0.87 kPa)	11" W.C. (2.23 kPa)
Manifold Pressure - Low	0.5" W.C. (0.12 kPa)	1" W.C. (0.25 kPa)
Orifice Size -Altitude 0-4500 ft	# 23 DMS	# 45 DMS
Minimum Input Altitude 0-4500 ft. (0-1372m)	18,000 Btu/h (5.27 kW)	15,000 Btu/h (4.39 kW)
Maximum Input Altitude 0-4500 ft. (0-1372m)	49,000 Btu/h (14.36 kW)	48,000 Btu/h (14.06 kW)
Vent Sizing	No Vent	No Vent



UNIT DIMENSIONS - COFFEE TABLE



NOTE: Optional glass surround shown

MINIMUM CLEARANCES TO COMBUSTIBLES

The clearances listed below are minimum distances unless otherwise stated.

A major cause of fires is failure to maintain required clearances (air space) to combustible materials. It is of the greatest importance that this fireplace be installed only in accordance with these instructions.

WARNING
Fire hazard is an extreme risk if these clearances (air space) to combustible materials are not adhered to. It is of greatest importance that this decorative gas appliance be installed only in accordance with these instructions.

Plateau® Series Clearance Requirements

Clearance	Dimension	Measured From:
A: Back wall	17" (432mm)	Burner to back wall
B: Sidewall	17" (432mm)	Burner to sidewall
C: Ceiling	45" (1143mm)	Burner to Ceiling
D¹: Floor	0" When using supplied leveling legs or optional casters.	
D²: Floor	1"(25mm)	Unit Base to Floor
E: Alcove Width	84"(2134mm)	Wall to Wall (Minimum)
F: Alcove Depth	60" (1524mm)	Front to Back Wall (Maximum)
Notes:	0"	No Hearth Required

