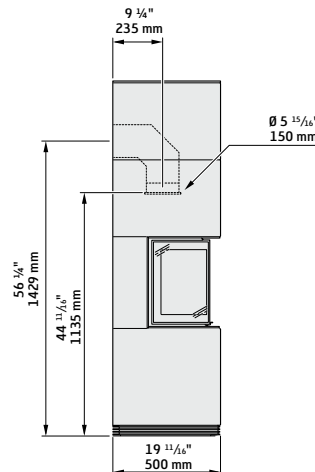
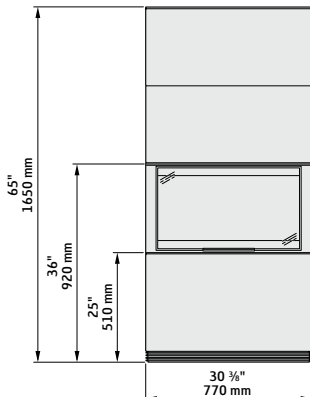
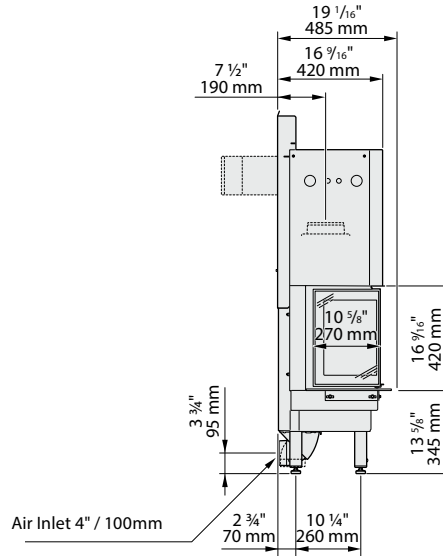
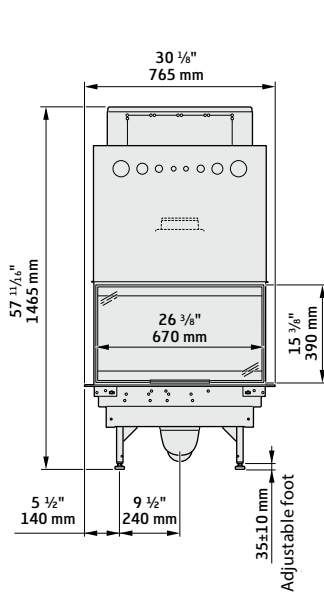


Ri50 Wood Stove

Model	Ri50
Flue Size	6" (152mm)
Log Size	16" (406mm) Max.



Ri50 Wood Stove

Minimum clearance to combustible materials

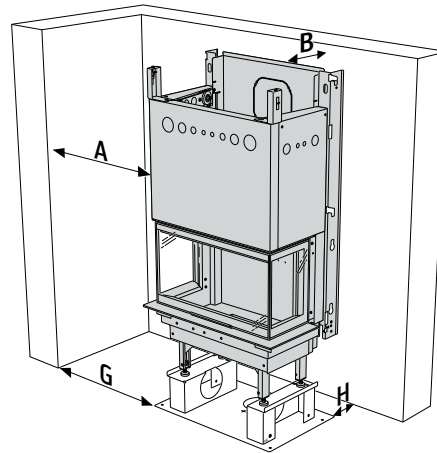
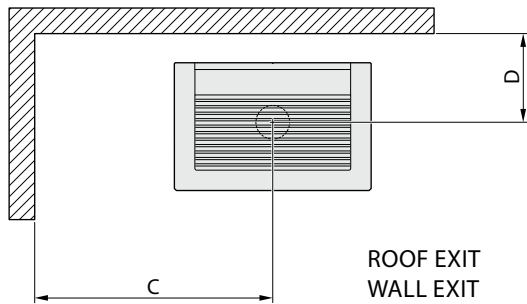
Please read the section below carefully as clearances are measured from rear heat deflector and side of unit above glass prior to installing facades.

Measurements "From Unit" are from the top plate of the fireplace to a side wall or to a corner, and from the rear heat shield to a back wall.

Clearances may only be reduced by means approved by the regulatory authority.

Note: Minimum ceiling height - 90" (2286 mm)

Note: Measurements to wall taken from rear heat deflector on unit and body face above glass door --before surround install.



Note: If backwall is Masonry: zero clearance.

Note: 45°corner install: Maintain all clearance to combustibles.

Note: Optional Rear Trim Kit --See unit manual.

Note: Unit manual for further combustible / wall finishing.

Residential Installation: Double Wall Connector Only									
Contura Ri50	All surrounds	A	B*	C	D	E	F	G	H
		21 - 1/2" 546mm	4 - 1/2" 114mm	35 - 1/8" 893mm	12 - 1/8" 308mm	100" 2540mm	36" 914mm	21 - 3/16" (approx.) 538mm	3" (approx.) 76mm

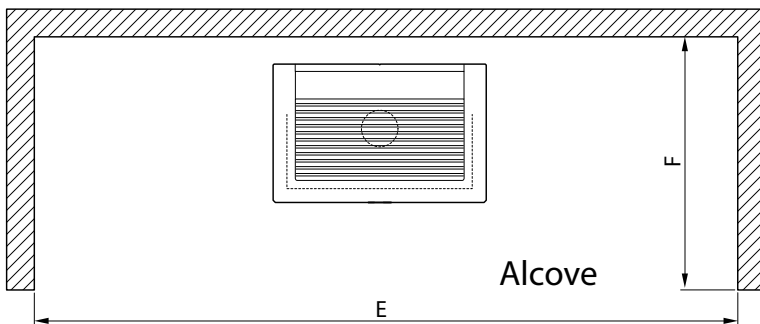
Note: Single wall pipe is not approved for this model.
 * NOTE: From Rear Shield
 *3" from edge of surround, once installed.

Minimum Alcove Clearance to Combustible Materials

The Contura Freestanding models have been alcove approved and must be installed with a listed double wall connector to the ceiling level.

Note: **Minimum alcove ceiling height - 90" (2286mm)**
E = Minimum width of alcove - 100" (2540mm)
F = Maximum depth of alcove - 36" (914mm)

NOTE: All the clearances are required for air space between the appliance and wall/ceiling.



NOTE: Be aware that local Codes and Regulations may override some clearances listed in this manual. Check with your local inspector.

NOTE: Clearances to combustibles are for the safety of the property. To avoid overheating and damaging the appliance these clearances should be maintained for non-combustibles also.

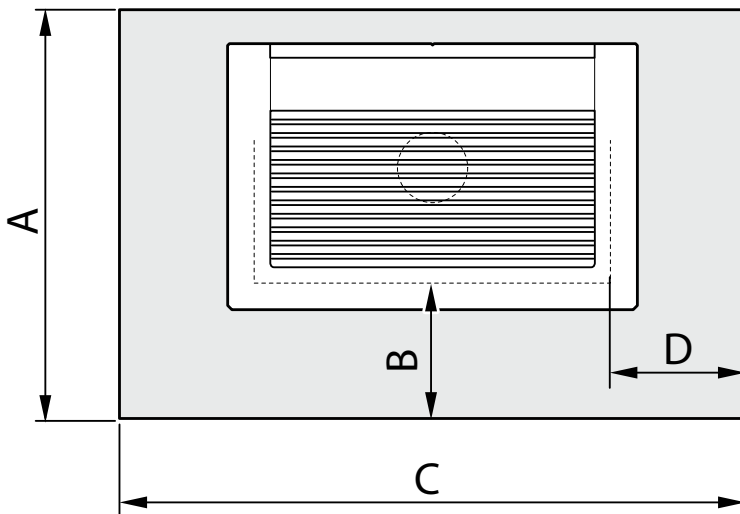
Floor Protection

(Ember Protection only required)

A combustible floor must be protected by a non-combustible material like tile, concrete board, or certified to UL-1618 Type 1 (or as defined by local codes).

Canada: Beneath the heater and extending to at least 18" on the fuel loading side and at least 18" on the sides and 8" from the back.

USA: Beneath the heater and extending to at least 16" beyond the fuel loading side and ash removal opening and at least 16" on the sides and 8" from the back and under the chimney connector extending 2" beyond each side for horizontal applications.

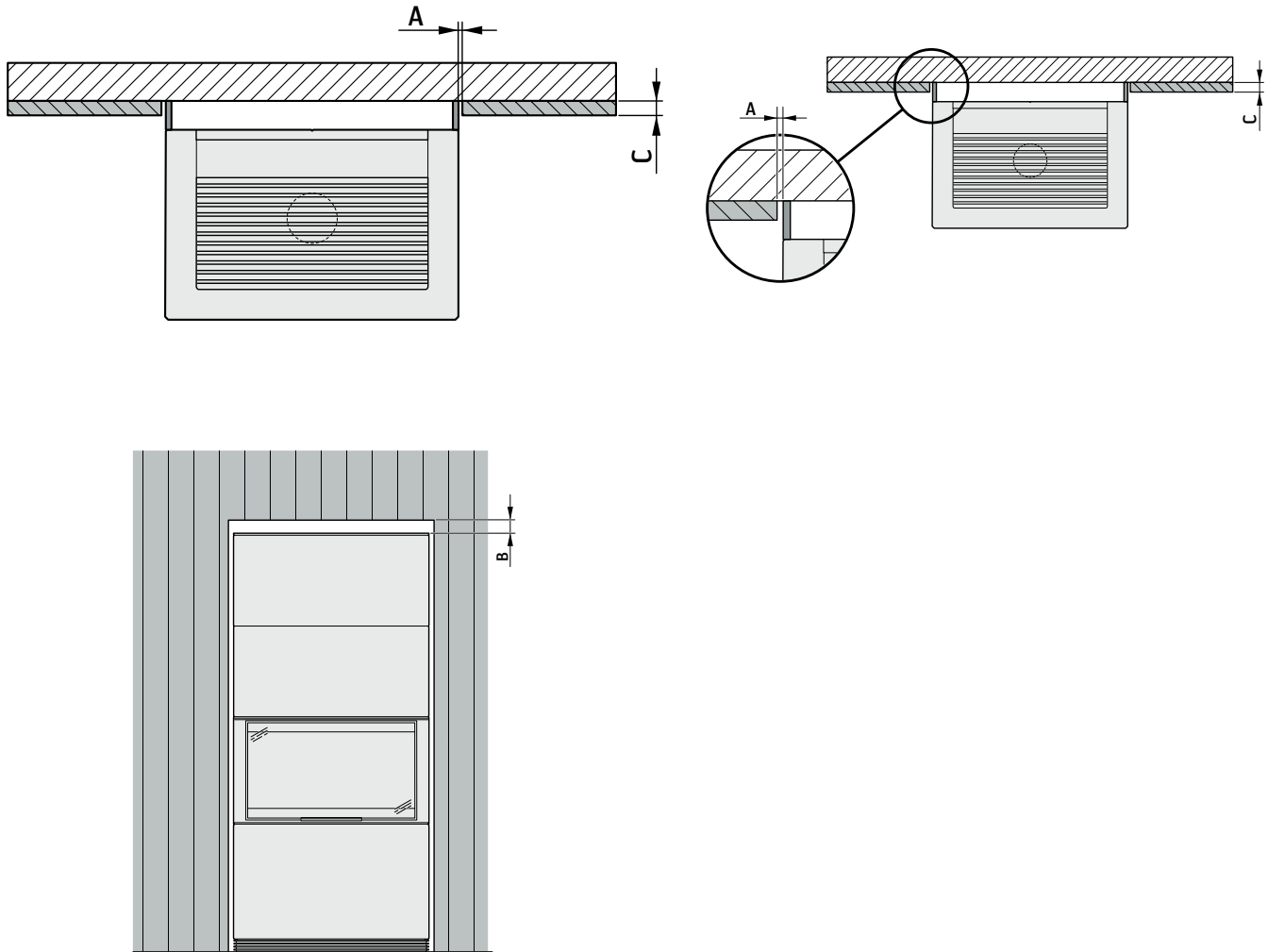


Minimum Overall Depth of Floor Protector					
Unit			Edge of Fuel door opening to edge of hearth		Edge of Fuel Door Opening
		A	B	C	D
Contura Ri50	Canada	45-1/2" 1156mm	18" 457mm	62-1/2" 1588mm	18" 457mm
	USA	43-1/2" 1105mm	16" 407mm	58-1/2" 1486mm	16" 407mm

Ri50 Wood Stove

Combustible wall finishing material clearances

Please read the section below carefully as clearances are measured from rear heat deflector and side of optional trim or finishing panels.



Combustible wall finishing clearances				
Contura Ri50	from	A - Sides	B - Top*	C - Material Thickness
	Optional Trim	1/4" 6mm	N/A	1-1/2" max. 38mm
	from Finishing Panels	1/4" 6mm	N/A	1-1/2" max. 38mm
	from Top of Unit	N/A	2" 51mm	1-1/2" max. 38mm
B - APPLIES TO HORIZONTAL VENTING INSTALLATIONS LOWER THAN THE TOP OF THE UNIT ONLY. (VENT EXIT REAR OF UNIT)				