



Regency Horizon® HZO42 Outdoor Gas Fireplace

Owners & Installation Manual

MODELS: HZO42-NG
HZO42-LP



www.regency-fire.com

Horizon HZO42 Product Video

⚠ WARNING:

If the information in these instructions are not followed exactly, a fire or explosion may result causing property damage, personal injury or loss of life.

⚠ WARNING: For Outdoor Use Only.

Installation and service must be performed by a qualified installer, service agency, or the gas supplier.

⚠ WARNING:

Do not store or use gasoline, or other flammable vapors and liquids, in the vicinity of this or any other appliance.

An LP-cylinder not connected for use shall not be stored in the vicinity of this or any other appliance.

⚠ DANGER - FIRE OR EXPLOSION HAZARD

If you smell gas:

- Shut off gas to the appliance.
- Extinguish any open flame.
- If odour continues, leave the area immediately.
- After leaving the area, call your gas supplier or fire department.

Failure to follow these instructions could result in fire or explosion, which could cause property damage, personal injury, or death.

INSTALLER: Leave this manual with the appliance.

CONSUMER: Retain this manual for future reference.

Tested by:



Installer: Please complete the details on the back cover and leave this manual with the homeowner.

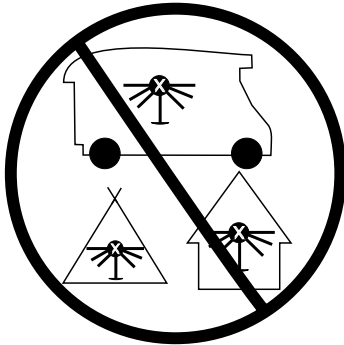
Homeowner: Please keep these instructions for future reference.

To the New Owner:

Congratulations!

You are the owner of a state-of-the-art Gas Fireplace by REGENCY®. The Horizon™ HZO42 Outdoor fireplace has been designed to provide you with all the warmth and charm of a fire at the flick of a switch. The Horizon™ HZO42 Outdoor fireplace has been approved by Warnock Hersey/Intertek for both safety and efficiency. As it also bears our own mark, it promises to provide you with economy, comfort and security for many trouble free years to follow. Please take a moment now to acquaint yourself with these instructions and the many features of your Regency® Fireplace.

! DANGER



CARBON MONOXIDE HAZARD
This appliance can produce carbon monoxide which has no odor.

Using it in an enclosed space can kill you.

Never use this appliance in an enclosed space such as a camper, tent, car or home.

! WARNING!



HOT GLASS WILL CAUSE BURNS

DO NOT TOUCH GLASS UNTIL COOLED

NEVER ALLOW CHILDREN TO TOUCH GLASS



Regency Horizon Gas Inserts Benefits Video



Horizon HZO42 Product Video

! WARNING:
Improper installation, adjustment, alteration, service or maintenance can cause injury or property damage. Read the installation, operating and maintenance instructions thoroughly before installing or servicing this equipment.

NATIONAL FIREPLACE INSTITUTE
NFI
CERTIFIED
www.nficertified.org

We recommend that our products be installed and serviced by professionals who are certified in the U.S. by the National Fireplace Institute® (NFI) or in Canada by Wood Energy Technical Training (WETT).



Wood Energy Technical Training
www.wettinc.ca

safety label

Copy of Safety Decal4
 HZO42 Decal Location4

dimensions

Unit Dimensions5

installation

Important Message6
 Before You Start.....6
 General Safety Information.....6
 Installation Checklist.....7
 Locating Your Gas Fireplace.....7
 Outdoor Appliance Installation Summary8
 Minimum Clearances to Combustibles9
 Framing Dimensions.....10
 Mantel Clearances.....11
 Non-Combustible Requirements.....11
 Finishing12
 High Elevation.....13
 Gas Line Installation13
 Pilot Adjustment.....13
 Gas Pipe Pressure Testing13
 880 S.I.T. Valve Description13
 Aeration Adjustment13
 Unit Assembly Prior to Installation.....14
 Standoff Assembly.....14
 Nailing Strips.....14

Drain Installation (Recommended) 15
 Wall Switch and Battery Installation 16
 Wiring Diagram..... 17
 Hardwire Kit Installation..... 18
 AC Adaptor Installation.....22
 Inner Panel Installation23
 Glass Crystal Installation24
 Volcanic Stone Installation25
 Optional Log Set Installation.....26
 Heat Deflector Installation28
 Faceplate Installation.....29
 Glass Wind Shield Installation30
 Weather Cover Installation / Removal30

operation

Operating Instructions35
 Lighting Procedure35
 Shutdown Procedure35
 First Fire35
 Aeration Adjustment35
 Copy of Lighting Plate Instructions36

maintenance

Maintenance Instructions37
 Valve Assembly Replacement38
 Gas Maintenance42

parts

Main Assembly43
 Burner Assembly44
 Accessories45

warranty

Warranty46

4 | safety decal

This is a copy of the label that accompanies each HZO42 Outdoor Fireplace. We have printed a copy of the contents here for your review.

NOTE: Regency® units are constantly being improved. Check the label on the unit and if there is a difference, the label on the unit is the correct one.

COPY OF SAFETY DECAL

Minimum Clearances to Combustibles /
Dégagements min. aux matériaux combustibles

Side Walls / Parois latérales
A 11" (279mm)

Ceiling / Plafond
B 36" (914mm)

Min. Mantel Height / Prof. min. manteau
C 45" (1143mm)

Max. Mantel Depth / Prof. max. manteau
D 12" (305mm)

Alcove Width / Largeur alcove
E 36" (914mm)

Alcove Depth / Prof. alcove
F 36" (914mm)

Duplicate S/N 364

364

DO NOT REMOVE THIS LABEL / NE PAS ENLEVER CETTE ÉTIQUETTE
Serial No. / No de série

REGENCY®
FIREPLACE PRODUCTS

NATURAL GAS: Model HZO42-NG		PROPANE: Model HZO42-LP	
Maximum supply pressure	14" WC/C.E. (3.49 kPa)	14" WC/C.E. (3.49 kPa)	14" WC/C.E. (3.49 kPa)
Minimum supply pressure	5" WC/C.E. (1.35 kPa)	11" WC/C.E. (2.74 kPa)	11" WC/C.E. (2.74 kPa)
Manifold pressure high	3.5" WC/C.E. (0.87 kPa)	10" WC/C.E. (2.49 kPa)	10" WC/C.E. (2.49 kPa)
Orifice size	#29	#47	#47
Maximum input	44,500 Btu/h (13.04 kW)	43,500 Btu/h (12.74 kW)	43,500 Btu/h (12.74 kW)
Altitude	0-4300 ft (0-1312 m)	0-4500 ft (0-1372 m)	0-4500 ft (0-1372 m)

The installation must conform with local codes or, in the absence of local codes, with CAN/CSA-B149.1, Natural Gas and Propane Installation Code or ANSI Z223.1/NFPA 54. The appliance, when installed, must be electrically grounded in accordance with local codes or, in the absence of local codes, with the Canadian Electrical Code, CSA C22.1 or with the National Electrical Code, ANSI/NFPA 70. This appliance is only for use with the type of gas indicated on the rating plate. See owner's manual for details.
 L'installation doit être conforme aux codes locaux ou, en l'absence de tels codes, à la norme CAN/CSA-B149.1, gaz naturel et propane ou au Code d'installation ANSI Z223.1/NFPA 54. L'appareil, une fois installé, doit être raccordé électriquement à la terre conformément aux codes locaux ou, en l'absence de tels codes, au Code canadien d'électricité, CSA C22.1 ou au National Electrical Code, ANSI/NFPA 70.

FOR OUTDOOR USE ONLY / POUR UTILISATION À L'EXTÉRIEUR SEULEMENT
IF STORED INDOORS, DETACH AND LEAVE CYLINDER OUTDOORS / SI STOCKÉ À L'EXTÉRIEUR, DÉTACHER LA BOUTEILLE ET LA LAISSER À L'EXTÉRIEUR.

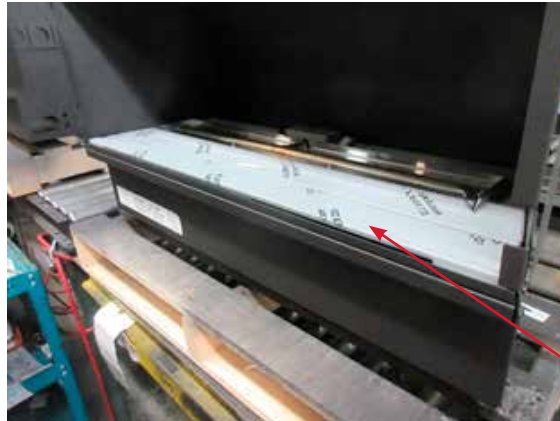
Ca appareil est uniquement conçu pour être utilisé à l'extérieur. Voir le manuel d'installation pour plus de détails. Electrical supply/Alimentation électrique: 6VDC or 115V/60Hz less than inférieure à 1A.
 NOT FOR USE WITH SOLID FUELS / NE PAS UTILISER AVEC DES COMBUSTIBLES SOLIDES
 FPI Fireplace Products International Ltd. Delta, BC, Canada V4G 1H4
 Made in Canada / Fabriqué au Canada 920-250

For the State of Massachusetts, installation and repair must be done by a plumber or gas fitter licensed in the Commonwealth of Massachusetts.

For the State of Massachusetts, flexible connectors shall not exceed 36 inches in length.

For the State of Massachusetts, the appliances individual manual shut-off must be a t-handle type valve.

HZO42 DECAL LOCATION

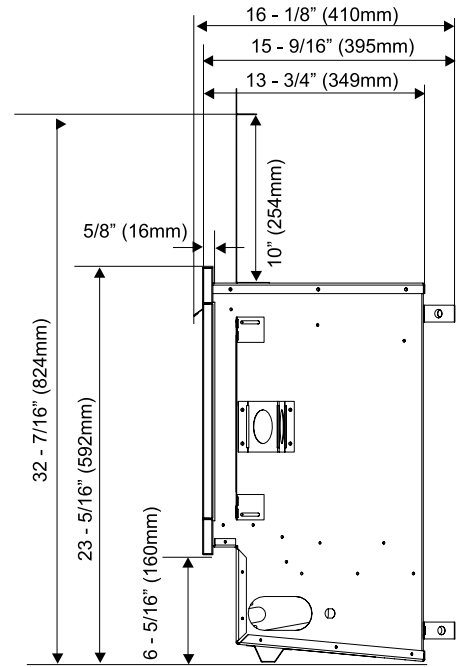
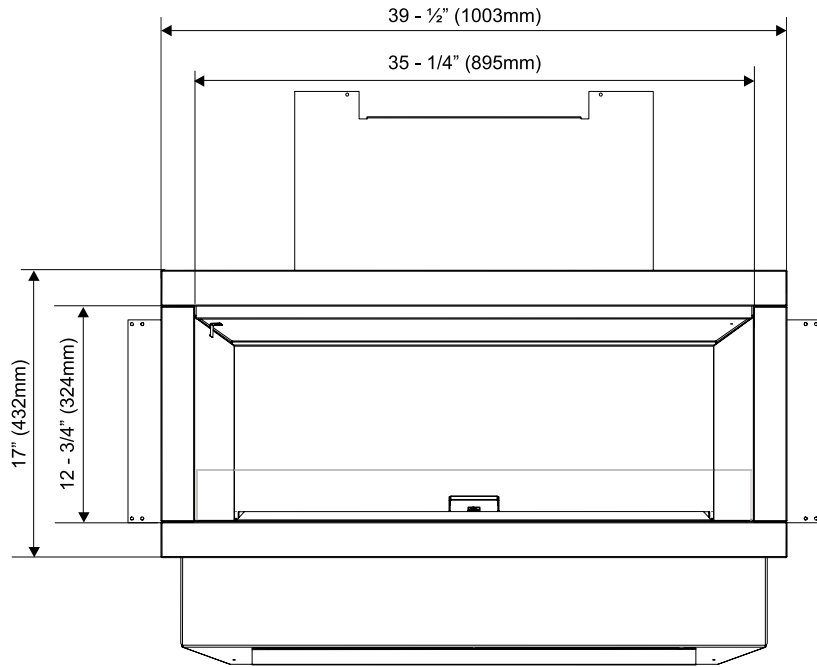
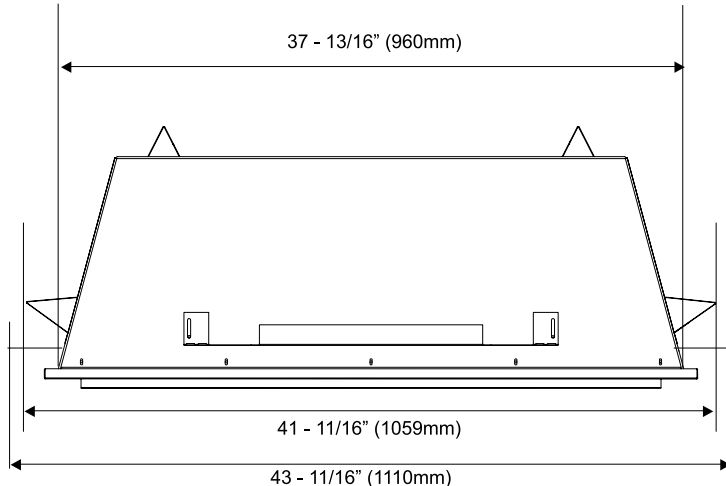


Remove stainless steel cover plate



Serial # decal

UNIT DIMENSIONS



ALL PICTURES / DIAGRAMS SHOWN THROUGHOUT THIS MANUAL ARE FOR ILLUSTRATION PURPOSES ONLY. ACTUAL PRODUCT MAY VARY DUE TO PRODUCT ENHANCEMENTS.

IMPORTANT MESSAGE SAVE THESE INSTRUCTIONS

The HZO42 Gas Fireplace must be installed in accordance with these instructions. Carefully read all the instructions in this manual first. Consult the "authority having jurisdiction" to determine the need for a permit prior to starting the installation. It is the responsibility of the installer to ensure this fireplace is installed in compliance with manufacturers instructions and all applicable codes.

BEFORE YOU START

Safe installation and operation of this appliance requires common sense, however, we are required by the Canadian Safety Standards and ANSI Standards to make you aware of the following:

INSTALLATION AND REPAIR SHOULD BE DONE BY AN AUTHORIZED SERVICE PERSON. THE APPLIANCE SHOULD BE INSPECTED BEFORE USE AND AT LEAST ANNUALLY BY A PROFESSIONAL SERVICE PERSON. MORE FREQUENT CLEANING MAY BE REQUIRED DUE TO EXCESSIVE LINT FROM CARPETING, BEDDING MATERIAL, ETC. IT IS IMPERATIVE THAT CONTROL COMPARTMENTS, BURNERS AND CIRCULATING AIR PASSAGEWAYS OF THE APPLIANCE BE KEPT CLEAN.

ANY GUARD OR OTHER PROTECTIVE DEVICE REMOVED FOR SERVICING THE APPLIANCE MUST BE REPLACED PRIOR TO OPERATING THE APPLIANCE

WARNING: FAILURE TO INSTALL THIS APPLIANCE CORRECTLY WILL VOID YOUR WARRANTY AND MAY CAUSE A SERIOUS FIRE.

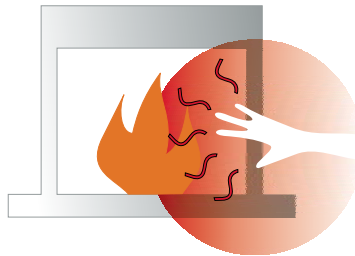
CHILDREN AND ADULTS SHOULD BE ALERTED TO THE HAZARDS OF HIGH SURFACE TEMPERATURES, ESPECIALLY THE FIREPLACE GLASS AND FACEPLATE, AND SHOULD STAY AWAY TO AVOID BURNS OR CLOTHING IGNITION.

THIS APPLIANCE SHALL BE USED ONLY OUTDOORS IN A WELL-VENTILATED SPACE AND SHALL NOT BE USED IN A BUILDING, GARAGE OR ANY OTHER ENCLOSED AREA.

DO NOT USE THIS APPLIANCE IF ANY PART HAS BEEN UNDER WATER. IMMEDIATELY CALL A QUALIFIED SERVICE TECHNICIAN TO INSPECT THE APPLIANCE AND TO REPLACE ANY PART OF THE CONTROL SYSTEM AND ANY GAS CONTROL WHICH HAS BEEN UNDER WATER.

CLOTHING OR OTHER FLAMMABLE MATERIAL SHOULD NOT BE PLACED ON OR NEAR THE APPLIANCE.

YOUNG CHILDREN SHOULD BE CAREFULLY SUPERVISED WHEN THEY ARE IN THE SAME AREA AS THE APPLIANCE. TODDLERS, YOUNG CHILDREN AND OTHERS MAY BE SUSCEPTIBLE TO ACCIDENTAL CONTACT BURNS. A PHYSICAL BARRIER IS RECOMMENDED IF THERE ARE AT RISK INDIVIDUALS IN THE HOUSE. TO RESTRICT ACCESS TO A FIREPLACE OR STOVE, INSTALL AN ADJUSTABLE SAFETY GATE TO KEEP TODDLERS, YOUNG CHILDREN AND OTHER AT RISK INDIVIDUALS OUT OF THE ROOM AND AWAY FROM HOT SURFACES.



GENERAL SAFETY INFORMATION

1. When an appliance is for connection to a fixed piping system, the installation must conform with local codes or, in the absence of local codes, with the *National Fuel Gas Code*, ANSI Z223.1 - NFPA 54; *National Fuel Gas Code*; *Natural Gas and Propane Installation Code*, CSA B149.1; or *Propane Storage and Handling Code*, CSA B149.2, as applicable.
2. The appliance when installed, must be electrically grounded in accordance with local codes, or in the absence of local codes with the Canadian Electrical Code CSA C22.1 or with the National Electrical Code, ANSI/NFPA 70.

3. See general construction and assembly instructions. The appliance should be enclosed.
4. Inspect the burner before each use of the appliance for blockage and any signs of deterioration.
5. To prevent injury, do not allow anyone who is unfamiliar with the operation to use the fireplace.
6. Wear gloves and safety glasses for protection while doing required maintenance.
7. Maximum gas inlet pressure = 1/2 psig.
8. Under no circumstances should this appliance be modified. Parts that have to be removed for servicing should be replaced prior to operating this appliance.
9. Installation and any repairs to this appliance should be done by a qualified service person. A professional service person should be called to inspect this appliance annually. Make it a practice to have all of your gas appliances checked annually.
10. Under no circumstances should any solid fuels (wood, paper, cardboard, coal, etc.) be used in this appliance.
11. The appliance and its individual shutoff valve must be disconnected from the gas supply piping system during any pressure testing of that system at test pressures in excess of 1/2 psi (3.5kPa).
12. The appliance area must be kept clear and free of combustible materials, (gases and other flammable vapours and liquids).

It is highly recommended to protect the interior from moisture (rain, snow). Cover the enclosure opening when not in use. This fireplace is only for use with the type of gas indicated on the rating plate. This fireplace is not convertible for use with other gases, unless a certified kit is used.

13. Cover must be removed when burner is in operation.
14. When not using appliance for extended periods of time - turn off gas supply.

WARNING: Cancer and Reproductive Harm
www.P65Warnings.ca.gov

919-874

INSTALLATION CHECKLIST

- 1) Locate appliance:
 - a) Refer to "Locating Your Gas fireplace" section
 - b) Clearances to Combustibles (Refer to "Clearances" section)
 - c) Mantel Clearances (Refer to "Combustible Mantel Clearances" section)
 - d) Framing & Finishing Requirements (Refer to "Framing & Finishing" section)
- 2) Top Facing Support and Side Nailing Strips (Refer to "Unit Assembly Prior to Installation" Section). **Note:** Must be done before installing unit into place.
- 3) Drain Installation.
- 4) Install ON/OFF switch - ensure it is in the OFF position.
- 5) Make gas connections - test for leaks.
- 6) Install 4 "AA" batteries
- 7) Install standard and optional features. Refer to the following sections:
 - a. Inner Panel
 - b. Glass Crystals
 - c. Pebble Installation (optional)
 - d. Garden Stone Installation (optional)
 - e. Log Installation (optional)
 - f. Glass Wind Shield Installation
 - g. Heat Deflector Installation
 - h. Faceplate Installation
 - i. Weather Cover Installation

8) Final check.

This includes:

- 1) Clocking the appliance to ensure the correct firing rate (rate noted on label), after burning appliance for 15 minutes.
- 2) If required, adjusting the primary air to ensure that the flame does not carbon. First allow the unit to burn for 15-20 min. to stabilize.

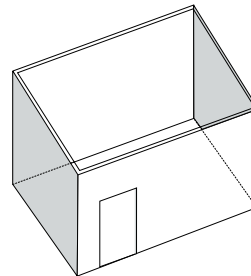
CAUTION: Any alteration to the product that causes sooting or carboning that results in damage is not the responsibility of the manufacturer.

NOTE: In order to function correctly, these types of appliances require at least 50% open access for permanent ventilation/airflow. Open ventilation/airflow space comes from walls and roof/ceiling. Open floor space around the unit must not be considered ventilation/airflow space.

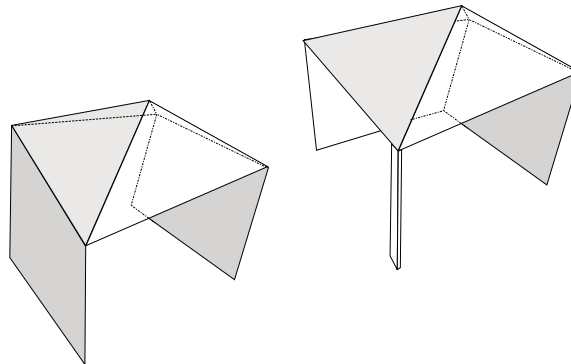
LOCATING YOUR GAS FIREPLACE

- 1) When selecting a location for your fireplace, ensure that the clearances are met.
- 2) This appliance must be installed in an open-air situation with natural ventilation, without stagnant areas, where gas leakage and products of combustion are rapidly dispersed by wind and natural convection.
- 3) Certain materials or items, when placed under or near the appliance, will be subjected to radiant heat and could become damaged.
- 4) Typically an outdoor space is not enclosed but, any enclosure in which the appliance is used shall comply with one of the following:

An enclosure with walls on all sides, but at least one permanent opening at ground level and no overhead cover.



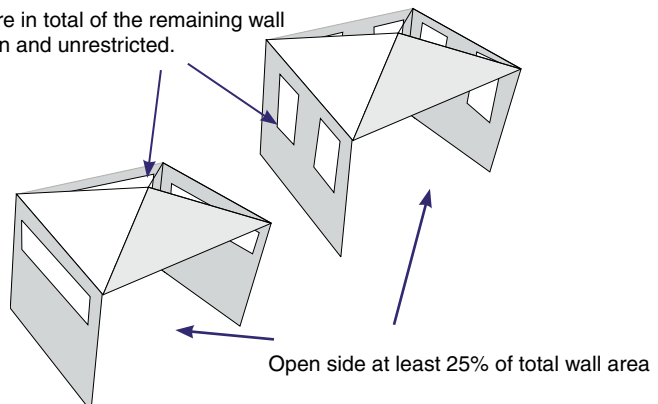
Within a partial enclosure that includes an overhead cover and no more that two walls.



Within a partial enclosure that includes an overhead cover and more than two walls, the following shall apply:

- At least 25% of the total wall area is completely open, and
- At least 30% of the remaining wall area is open and unrestricted

30% or more in total of the remaining wall area is open and unrestricted.



***SEE IMPORTANT INSTALLATION NOTES NEXT PAGE**

IMPORTANT INFORMATION FOR OUTDOOR FIREPLACE INSTALLATIONS

- Never insulate around the body of the unit
- Excessive heat retention in the firebox will lead to component failure and fireplace malfunction
- Excessive heat retention will also increase the risk of fire inside the chase
- Heat retention can cause “Oil-canning” and damage the fireplace due to overheating
- Do not build up a wall of any type in front or to the sides of the appliance, higher than the firebox opening. This will create a pressure zone at the firebox and will prevent the unit from venting
- This is an outdoor appliance with a built-in drain. This drain should be installed and connected in all applications as per the instructions in this manual
- Inadequate drainage will cause rust and reduce the life of your appliance, this is not protected by warranty

COMPONENTS IN OUTDOOR APPLIANCES

- Outdoor units use the same consistent, reliable Electronic components used in most Regency “E” units
- Installed correctly, these components will be subjected to far lower temperatures than indoor units, which have been certified as safe from heat etc
- Working gas pressures are as critical in outdoor products as they are in indoor products, even more important in Electronic systems

COMMON MISCONCEPTIONS REGARDING OUTDOOR FIREPLACES

- There is a common misconception that being outdoors, an Outdoor Fireplace will function, regardless of circumstances,
- Outdoor fireplaces require the same amount of ventilation as indoor units, often more
- Outdoor units require adequate ventilation to the atmosphere, which in turn provides ongoing circulatory combustion air
- This type of Appliance Vents.
- All Outdoor Fireplace Products have the same need for Air/Oxygen, and an ability to Vent
- Even though the appliance is outdoors, this doesn’t mean it is getting adequate air
- Requirements are not specific to Regency units
- Read and follow critical location guidelines in this manual

UNDERSTANDING OUTDOOR APPLIANCE REQUIREMENTS

- Don’t overlook the obvious
- Widen your margin for error
- Combustion always requires the same three elements
- Only the quantities and volumes change



IMPORTANT THINGS TO REMEMBER

- Correct Working Gas pressure is critical on “E” units
- Wherever possible avoid locating on a flat wall in a tight corner
- Floor space doesn’t count as “open area”
- Install to the manual specs for framing and **do not insulate** unit or enclosure
- Framing enclosure must at least meet minimum dimensional specs as per the installation manual
- Only Regency approved media should be used in the firebox (i.e. stones/glass)
- Be aware of pressure zones due to location (i.e. facing the ocean)
- Open walls and doorways to outside air are beneficial to the performance of an outdoor appliance
- Fixed roof/ceiling open areas count towards the total open area overall requirement
- Screens create 40% or more air restriction
- Screened areas are restrictions and reduce open air space, calculate area based on a **closed** screen
- The biggest problems are created by lack of airflow for the appliance
- Outdoor fireplaces are often built-in systems and incorrect installation can result in high repair costs
- Units must not be modified or altered in any way

ANTICIPATED ISSUES CAUSED BY INCORRECT LOCATION OR INSTALLATION

- Unit shutting down intermittently
- Overheating of components leading to failure
- Lifting flame
- Poor flame package (i.e. all to one side, lazy flame)
- Failure to ignite
- Excess carbon
- Safety issues and concerns created from the byproducts of combustion

OUTDOOR APPLIANCES REQUIRE VENTING

- Outdoor appliances must be installed in: open-air situations with natural ventilation and without stagnant areas
- Any gas leakage and products of combustion need to be rapidly dispersed by wind and natural convection
- Typically outdoor spaces are not enclosed, however, failure to adhere to installation guidelines, may cause the outdoor fireplace to be affected by wind or air pressure inside the enclosure
- **ANY** enclosure in which the appliance is used shall comply with one of the diagrams on the previous page.

OUTDOOR APPLIANCE INSTALLATION SUMMARY

- All walls + overhead cover = 100% total area
- One of four walls or full overhead area must be totally open, plus—one of remaining walls must have a fixed opening
- All outdoor fireplaces/fire tables require total **natural** ventilation of 50% open space

MINIMUM CLEARANCES TO COMBUSTIBLES

The clearances listed below are Minimum distances unless otherwise stated:

A major cause of fires is failure to maintain required clearances (air space) to combustible materials. It is of the greatest importance that this fireplace be installed only in accordance with these instructions.

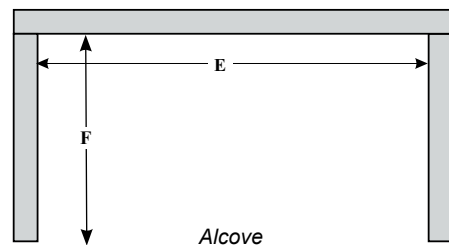
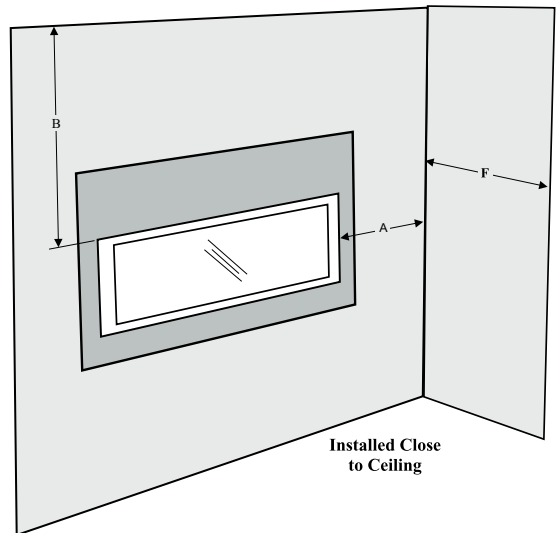
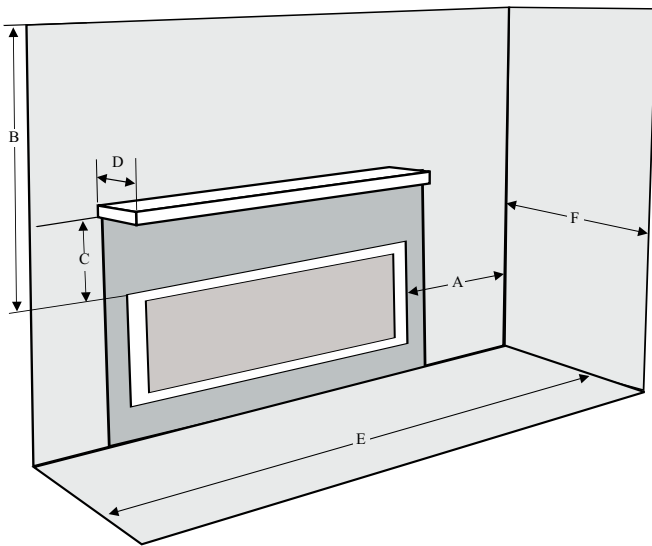
Caution Requirements
The top, back and sides of the fireplace are defined by standoffs. The metal ends of the standoff may **NOT** be recessed into combustible construction.

WARNING
Fire hazard is an extreme risk if these clearances (air space) to combustible materials are not adhered to. It is of greatest importance that this fireplace be installed only in accordance with these instructions.

HZO42 Clearance Requirements

Clearance:	Dimension	Measured From:
A: Sidewall	11" (203mm)	Side of Fireplace Opening
B: Ceiling	36" (914mm)	Top of Fireplace Opening
C: Mantel Height (min.)	18" (457mm)	Top of Fireplace Opening
D: Mantel Depth (max.)	12" (304mm)	From Wall
E: Alcove Width	57"(1148mm)	Wall to Wall (Minimum)
F: Alcove Depth	36" (914mm)	Front to Back Wall (Maximum)
Notes:	0"	No Hearth Required

WARNING:
When installing this appliance; do not cover or surround with insulation. This appliance can overheat and cause malfunction and component failure, if covered, or partially covered. If the appliance is installed inside a chase, insulation must be installed on the walls of the chase, not on the appliance.

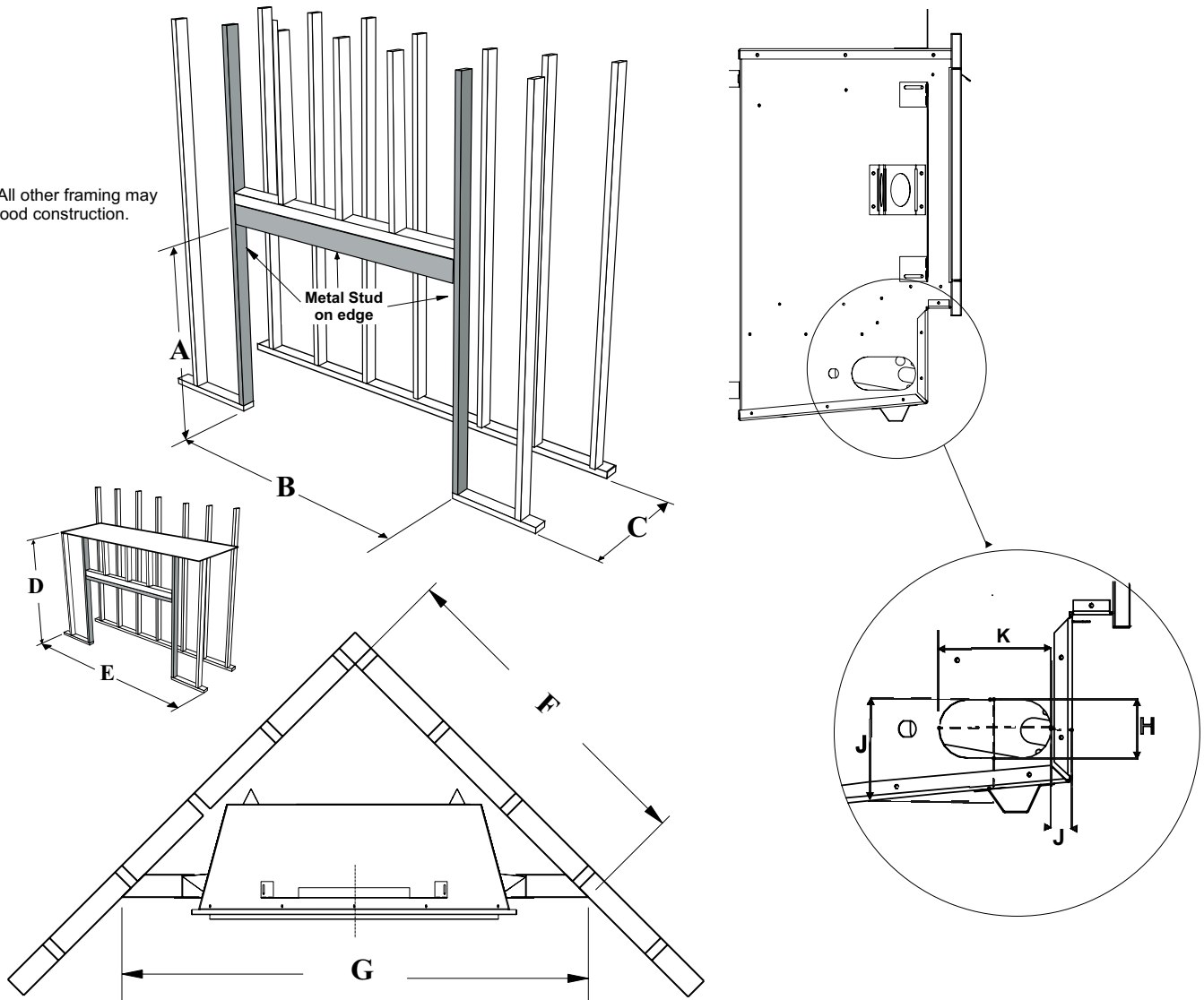


FRAMING DIMENSIONS

Framing Dimensions	Description	HZO42
A	Header Height	32-11/16" (30mm)
B	Side Stud Width	42 - 3/16" (1072mm)
C	Minimum framing depth	20" (508mm)
D	Minimum Height to Combustibles	52 - 1/2" (1334mm)
E	Minimum framing width	60" (1524mm)
F	Corner Wall Depth	40 - 7/16" (1027mm)
G	Corner Facing Wall Width	54 - 3/16" (1376mm)
H	Gas Connection Opening Height	2" (51mm)
I	Gas Connection Height	3-7/8 " (98mm)
J	Gas Connection Inset	3/4" (73mm)
K	Gas Connection Opening Width	3-7/8 " (98mm)

* Framing depth measurement is noted with the nailing strips set as far forward on the firebox as possible. The nailing strips can be adjusted back up to 1" to allow for varying thicknesses in non-combustible material & wall finishes.

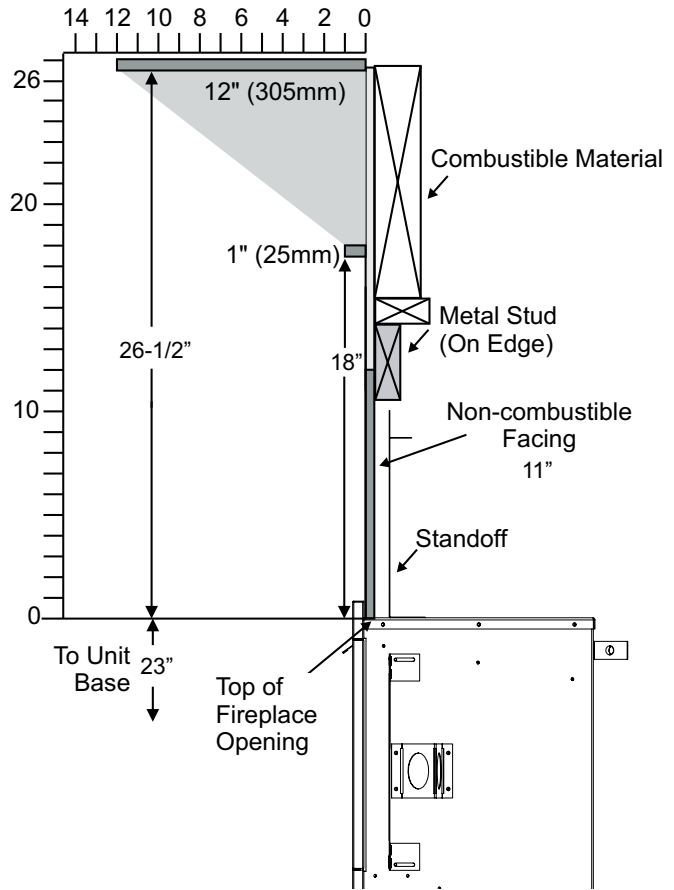
Note: All other framing may be of wood construction.



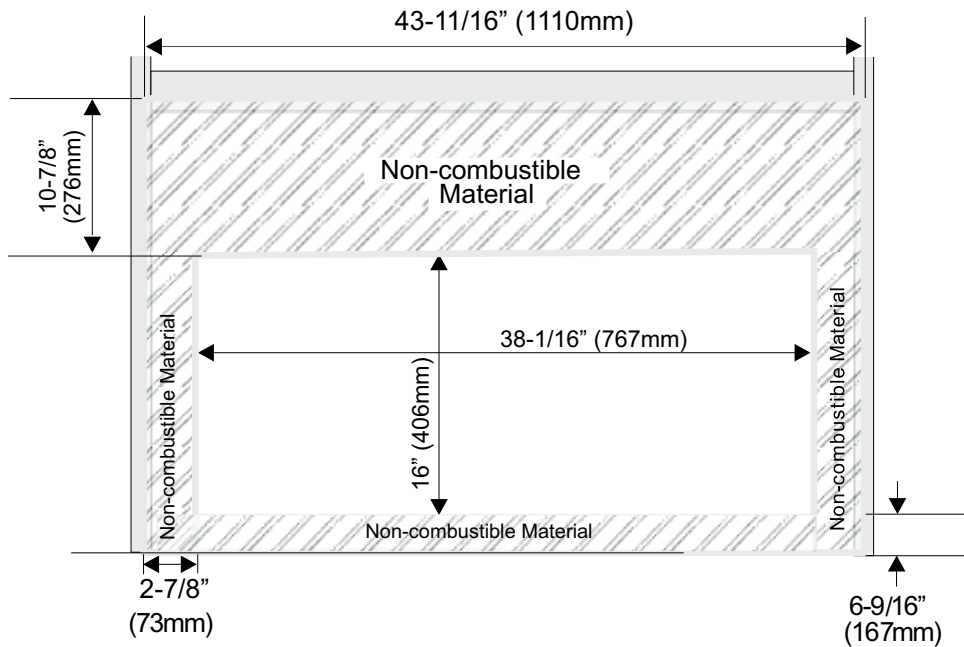
MANTEL CLEARANCES

Due to the extreme heat this fireplace emits, the mantel clearances are critical. Combustible mantel clearances from top of front facing are shown in the diagram on the right.

Note: Ensure the paint that is used on the mantel and the facing is "heat resistant" or the paint may discolour.



NON-COMBUSTIBLE REQUIREMENTS



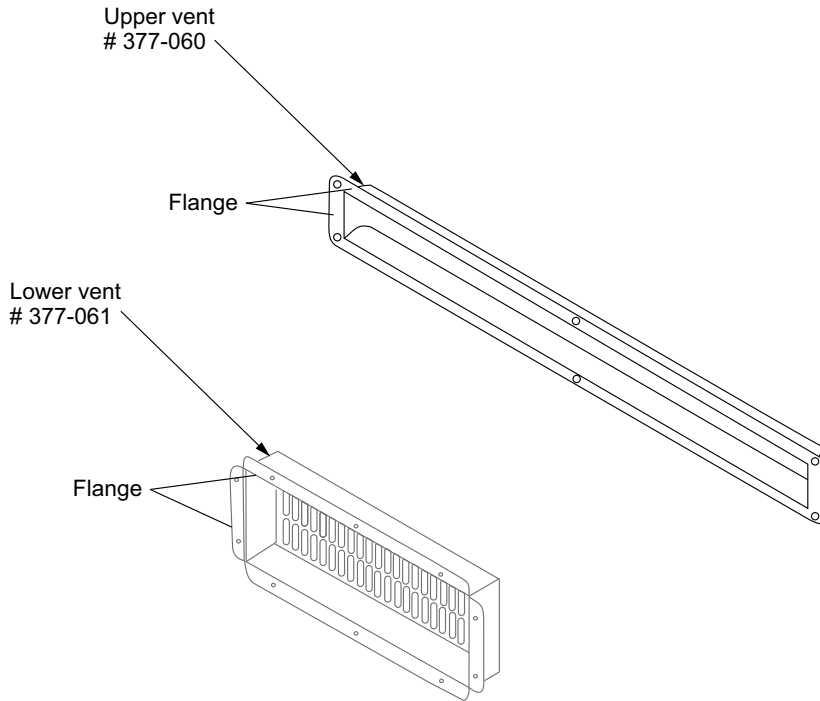
HZO42 ENCLOSURE VENT INSTALLATION

Two (2) upper and two (2) lower ventilation grills are required for all enclosures. This is to alleviate moisture and allow for air to circulate. Minimum recommended size: 20" sq. (508 mm²) ea.

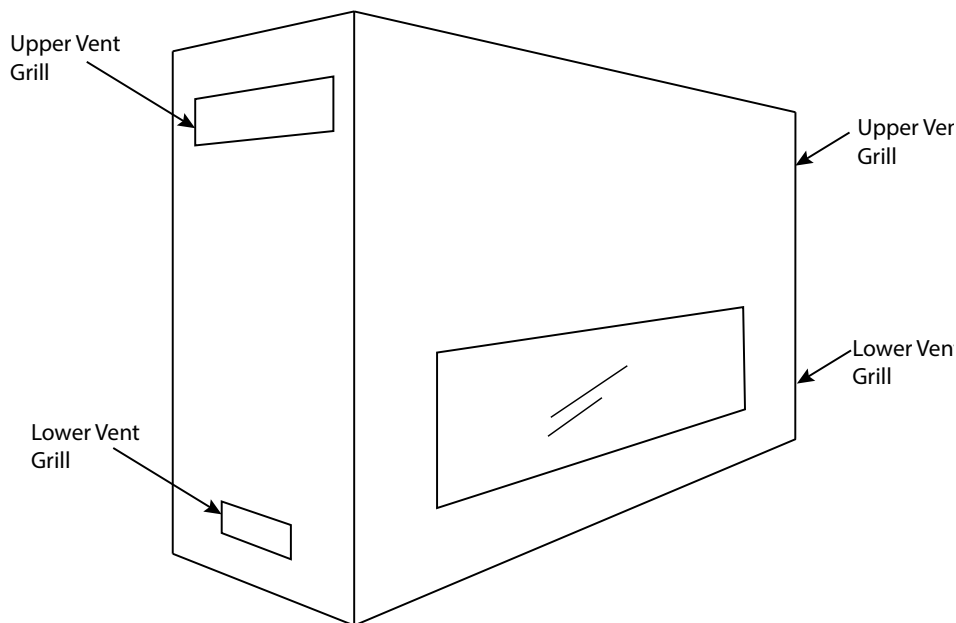
If using the grills offered by Regency (purchased separately), follow the instructions noted below:
Frame the opening for the upper vent (377-060) at 16" x 1-1/4" - secure the upper vent to the framing with 6 screws.

Frame the opening for the lower vent (377-061) at 8" x 2-7/8" - secure the lower vent with 10 screws.

We highly recommend installing these upper and lower grills at either end of the framed structure to allow the air to circulate from one end to the other.
Note: If purchasing grills elsewhere, ensure the minimum recommended size of 20"sq. (508 mm²) each is met.



Note: Finishing material can be brought over the flange of the ventilation grills to ensure a clean look.

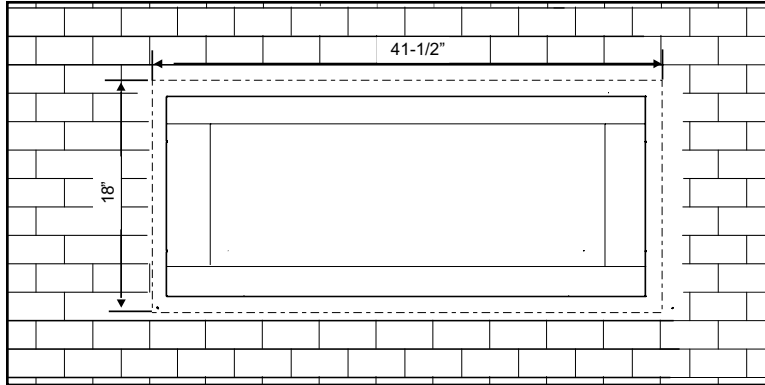


FINISHING

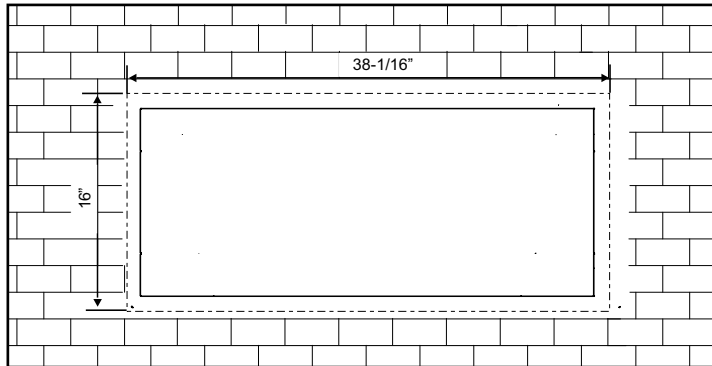
IMPORTANT FINISHING DETAIL NOTE:

Before placing unit into final position - it is important to know the total thickness / height of finished hearth. The base of the fireplace should be level or higher than the finished hearth height.

If material such as brick, stone, etc extends past the faceplate depth (1-1/2"), when finishing around the faceplate, the minimum opening dimensions noted below must be adhered to ensuring for the removal of the faceplate and for the safe operation of this appliance.

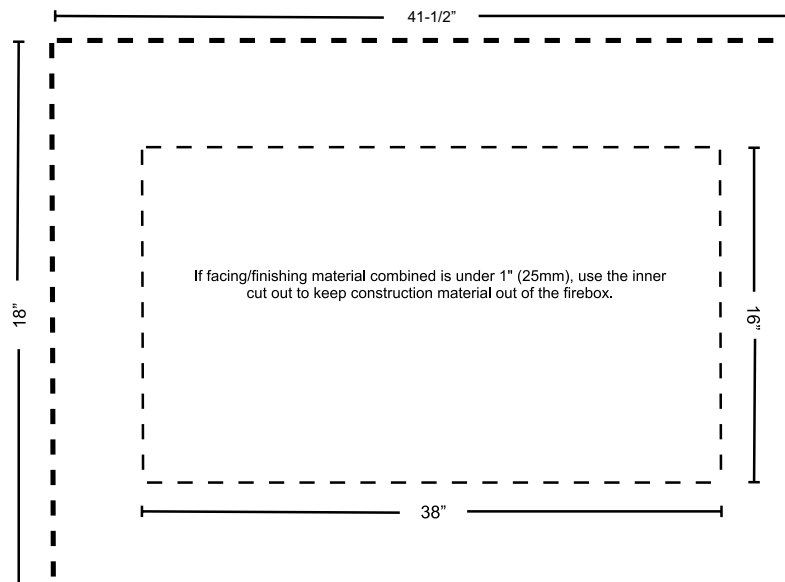


For material such as brick, stone, etc that extend up to 1-1/2" , the minimum opening dimensions noted below must be adhered, when finishing around the faceplate. This is to ensure the removal of the faceplate and for the safe operation of this appliance. The maximum allowable combined thickness of non combustible material (i.e. durarock, concrete board, etc.) and finishing materials such as brick, stone, etc. cannot exceed 5" (127 mm).



Unit shown without faceplate

For facing/finishing material over 1-1/2" (38mm) thick, use the outer cut out for your faceplate template.



HZO42 SYSTEM DATA	
Max. Supply Pressure	14" WC (3.49 kpa)
Min. Supply Pressure	5" WC (1.25 kpa)
Manifold Pressure	3.5" WC (0.87 kpa)
Orifice Size	#29 DMS
Maximum Input	44,500 Btu/h (13.04 kW)

HZO42-LP SYSTEM DATA	
Max. Supply Pressure	14" WC (3.49 kpa)
Min. Supply Pressure	11" WC (2.73 kpa)
Manifold Pressure	10" WC (2.49 kpa)
Orifice Size	#47 DMS
Maximum Input	43,500 Btu/h (12.74 kW)

HIGH ELEVATION

This unit is approved for altitude 0 to 4500 ft. (CAN1 2.17-M91).

GAS LINE INSTALLATION

Since some municipalities have additional local codes it is always best to consult with your local authorities and the CAN/CGA B149 installation code.

For USA installations follow local codes and/or the current National Fuel Gas Code, ANSI Z223.1.

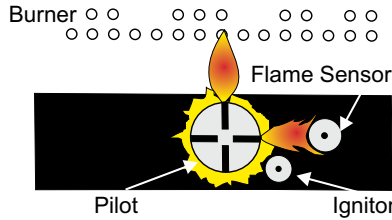
When using copper or flex connectors use only approved fittings. Always provide a union so that gas lines can be easily disconnected for servicing. Flare nuts for copper lines and flex connectors are usually considered to meet this requirement.

NOTE: A shutoff / dante valve should be supplied in or near the unit (or as per local codes) for ease of servicing this appliance.

IMPORTANT: Always check for gas leaks with a soap and water solution or gas leak detector. Do not use open flame for leak testing.

PILOT ADJUSTMENT

Periodically check the pilot flames. Correct flame pattern has two strong blue flames: 1 flowing around the flame sensor and 1 flowing across the burner (it does not have to be touching the burner).



Note: If you have an incorrect flame pattern, contact your Regency® dealer for further instructions.

Incorrect flame pattern will have small, probably yellow flames, not coming into proper contact with the rear burner or flame sensor.



GAS PIPE PRESSURE TESTING

The appliance must be isolated from the gas supply piping system by closing its individual manual shut-off valve during any pressure testing of the gas supply piping system at test pressures equal to or less than 1/2 psig. (3.45 kPa). Disconnect piping from valve at pressures over 1/2 psig.

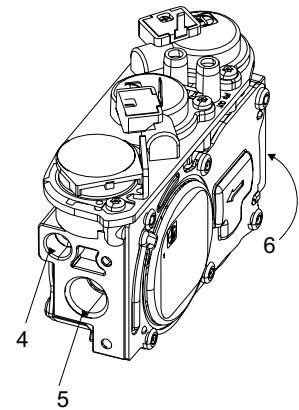
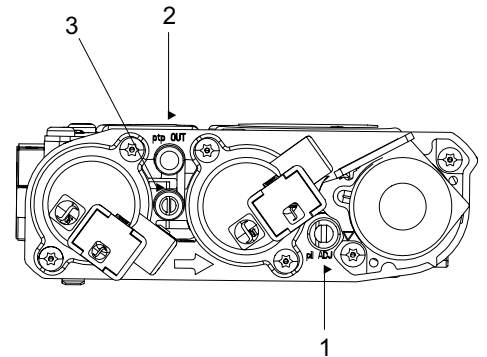
The manifold pressure is controlled by a regulator built into the gas control, and should be checked at the pressure test point.

Note: To properly check gas pressure, both inlet and manifold pressures should be checked using the valve pressure ports on the valve.

- 1) Make sure the valve is in the "OFF" position.
- 2) Loosen the "IN" and/or "OUT" pressure tap(s), turning counterclockwise with a 1/8" wide flat screwdriver.
- 3) Attach manometer to "IN" and/or "OUT" pressure tap(s) using a 5/16" ID hose.
- 4) Light the pilot and turn the valve to "ON" position.
- 5) The pressure check should be carried out with the unit burning and the setting should be within the limits specified on the safety label.
- 6) When finished reading manometer, turn off the gas valve, disconnect the hose and tighten the screw (clockwise) with a 1/8" flat screwdriver. **Note: Screw should be snug, but do not over tighten.**

880 S.I.T. VALVE DESCRIPTION

- 1) Pilot adjustment
- 2) Outlet Pressure Tap
- 3) Inlet Pressure Tap
- 4) Pilot Outlet
- 5) Main Gas Outlet
- 6) Main Gas Inlet



AERATION ADJUSTMENT

The burner aeration is factory set but may need adjusting due to either the local gas supply or altitude. Open the air shutter for a blue flame or close for a more yellow flame.

Minimum Air Shutter Opening:

1/8"	NG
1/4"	LP

Note: Any damage due to carboning resulting from improperly setting the aeration controls is NOT covered under warranty.

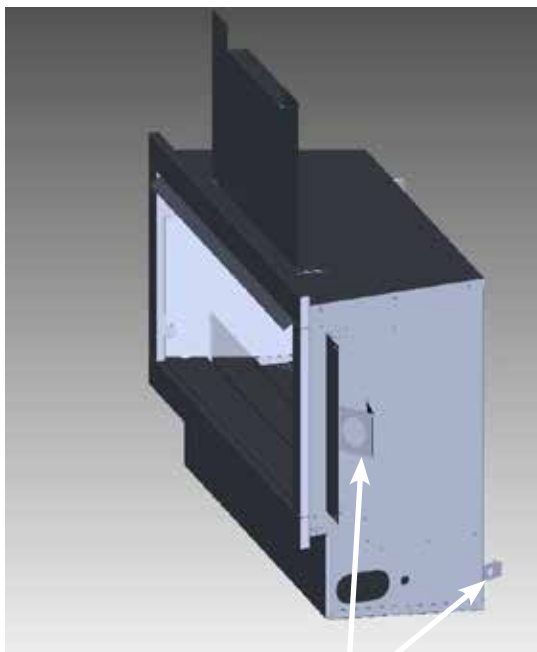
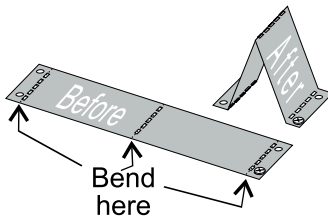
UNIT ASSEMBLY PRIOR TO INSTALLATION

The 6 Standoffs must be correctly positioned and attached before unit is slid into position.

STANDOFF ASSEMBLY

The standoffs are shipped in a flat position and must be folded into shape and attached.

- 1) Remove the standoffs from the fireplace.
- 2) Take each standoff and bend into the correct shape. Bend up at the bend lines until the screw holes in the standoff and the pre-punched screw holes on the fireplace top line up.
- 3) Attach the standoff securely to the unit with 2 screws per standoff (on opposite corners).

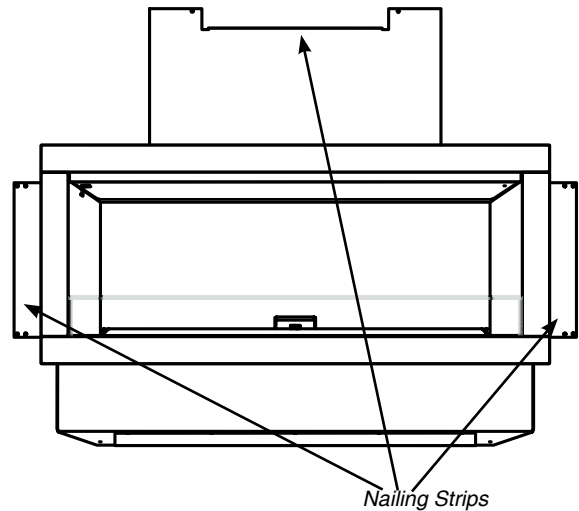


Standoffs installed

Note:
Depending on the material used for finishing, the nailing strips must be set accordingly so that the finished material is always at the 1-1/2" edge of the flange.

NAILING STRIPS

The nailing strips come attached to the unit. There is 1 plate on each side and 1 on the top that can be folded out as required. Secure the top and side nailing strips to the framing.



Finished Material	Nailing Strip Position	
1/2"	1"	<p>Nailing Strip 1" Forward</p> <p>Unit</p>
1"	1/2"	<p>Nailing Strip 1/2" Forward</p> <p>Unit</p>
1-1/2"	0" (flush)	<p>Nailing Strip Flush w/unit Factory Set</p> <p>Unit</p>

DRAIN INSTALLATION (RECOMMENDED)

Although this fireplace is designed to operate outdoors safely, rain and other sources of moisture may enter the hearth area, which will cause water to collect inside the base of the unit.

To prevent excessive water collection, the installer must provide a way to drain the water from the base of the unit by building or installing a water collector before positioning the fireplace in its location.

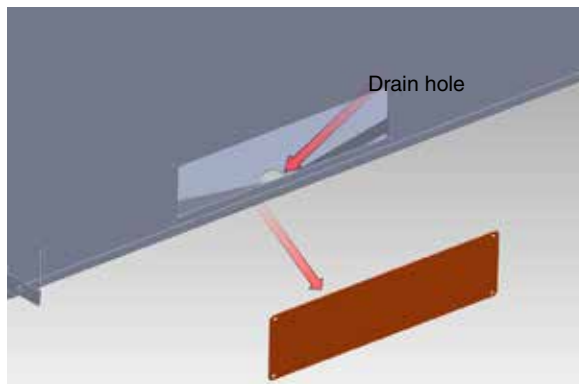
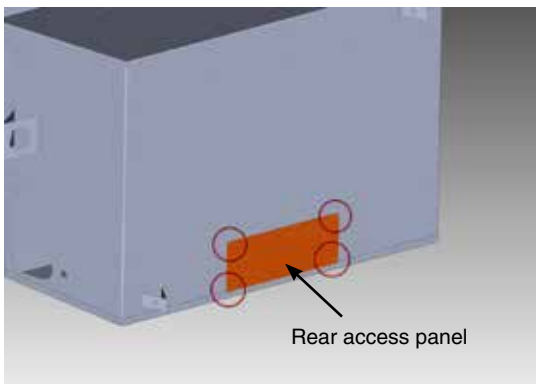
INSTALLATION INSTRUCTIONS

When planning for the installation of the unit, the framing height must be increased by 3/4", when installing a drain pan. Additional space below the unit will also be required to plumb a drain line.

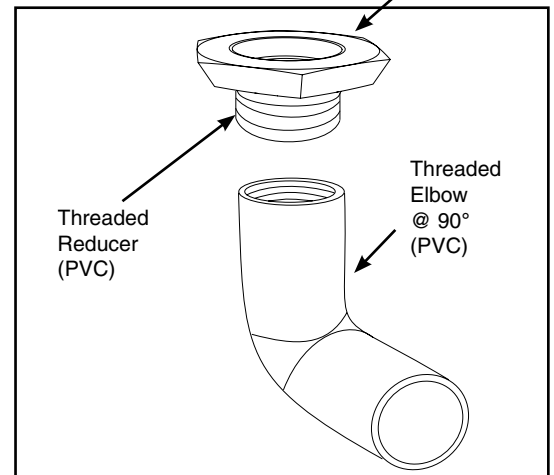
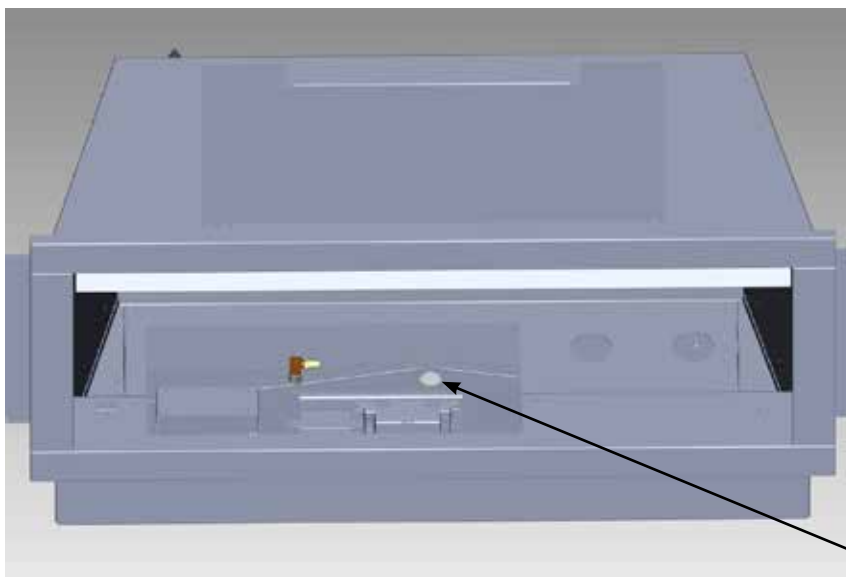
- 1) Remove 4 screws to remove the rear access panel from the back of the unit - this will allow access to the drain hole at the base of the unit.
- 2) On the exposed drain hole (see location below), install a PVC 3/4" threaded coupling reducer going from the top of the pan, down through the hole. Apply a silicone-based sealant around the base and threads before installation.
- 3) Holding the reducer coupling with a wrench, thread a 90° PVC elbow (from the underside of the unit) to the reducer until it is tight to the metal.

Note: To assure proper drainage, that fireplace must be installed on a leveled surface

- 4) Add additional piping to route the drain to an appropriate location.



Cut notches into the top of the coupling reducer to prevent water pooling.



Reducer and elbow can be purchased from your local hardware store.

Drain hole location at base of the unit

WARNING: Failure to position the parts in accordance with these diagrams or failure to use only parts specifically approved with this appliance may result in property damage or personal injury.

WALL SWITCH AND BATTERY INSTALLATION (INCLUDED WITH UNIT)

The unit comes with low voltage wire and a battery extension wire installed.

- 1) Run supplied wire to desired location - to a max. of 9 feet.
- 2) Install supplied electrical box in desired location.



- 3) Remove center knock out from electrical box and install strain relief (strain relief nut not required).



Center knock out



Strain Relief

- 4) Route low voltage wire and battery extension wire through the strain relief.
- 5) Connect low voltage wire to supplied switch, fasten switch to right side of electrical box (polarity not important).



- 6) Install supplied 4-AA batteries into the battery holder. Using velcro install battery holder to the backside of the battery compartment door. Connect battery terminal.
- 7) Using silicone, completely seal strain relief to protect from water or moisture.



- 8) Place supplied gasket on top of electrical box.
- 9) Fasten cover to electrical box using supplied screws.
- 10) Place switch in OFF position until final installation is complete.

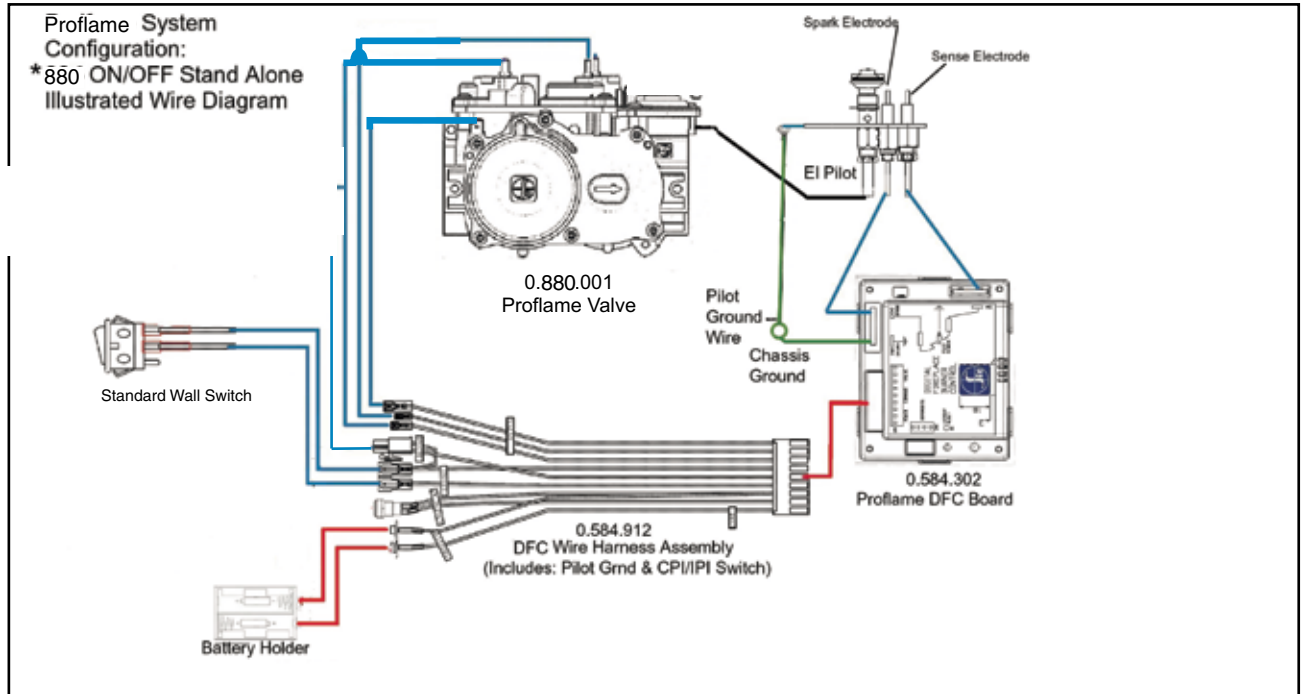


WARNING: Failure to position the parts in accordance with these diagrams or failure to use only parts specifically approved with this appliance may result in property damage or personal injury.

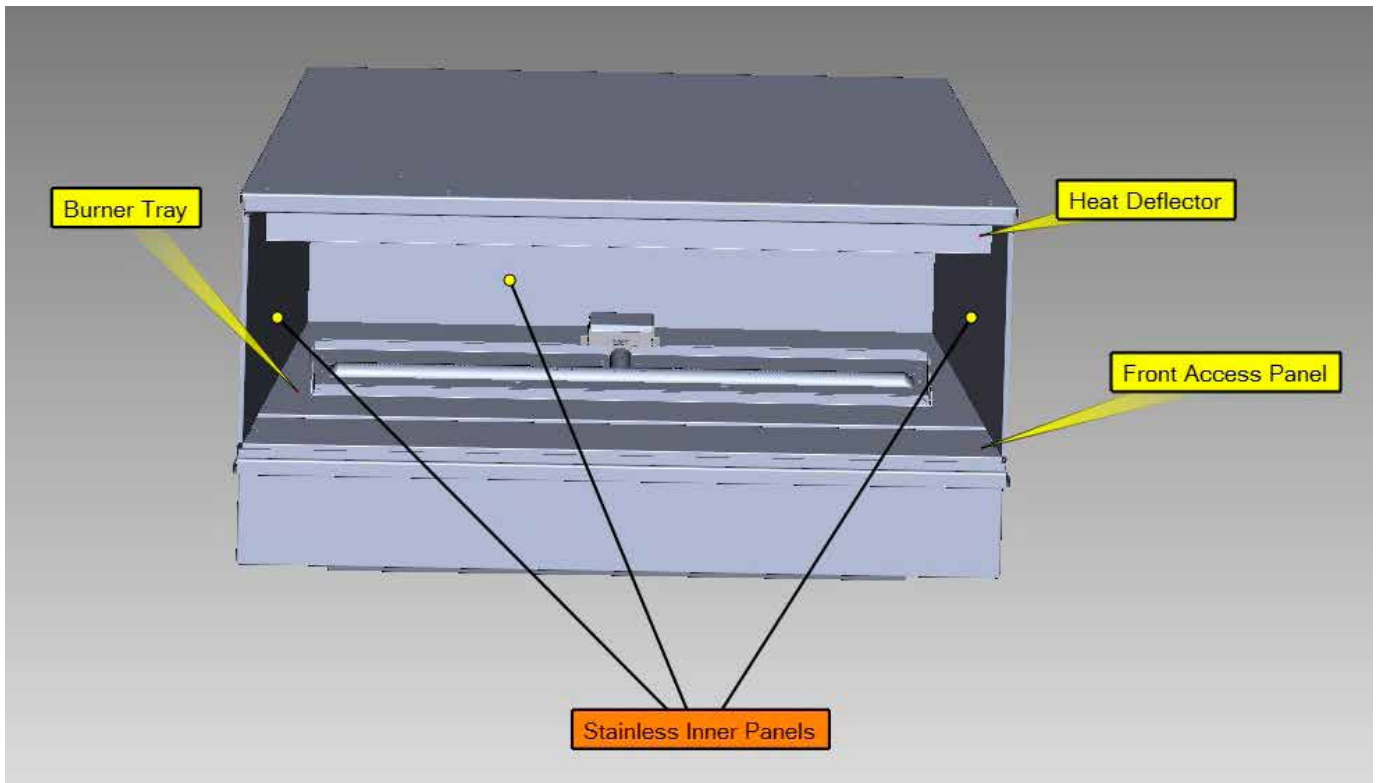
WIRING DIAGRAM

This heater does not require a 120V A.C. supply for operation. (Do not cut the ground terminal off under any circumstances.)

NOTE: 4 AA batteries must be installed in the battery pack to operate the burner switch.



Remove the protective coating from the following components before proceeding. Carefully follow stainless handling instructions on following page.



HARDWIRE KIT INSTALLATION

A hard wire kit is available for this unit as an option, to hard wire this appliance, a qualified electrician must remove the cord connection, and wire the appliance directly to the household wiring. This appliance must be electrically connected and grounded in accordance with local codes, if hard wired. In the absence of local codes, use the current CSA C22.1 CANADIAN ELECTRICAL CODE in Canada or the current ANSI/NFPA 70 NATIONAL ELECTRICAL CODE in the United States.

WARNING!

- USE ONLY A GROUND FAULT INTERRUPTER (GFI) PROTECTED CIRCUIT WITH THIS OUTDOOR GAS APPLIANCE .
- ENSURE THAT ALL POWER SOURCES HAVE BEEN SHUT OFF PRIOR TO BEGINNING ANY ELECTRICAL WORK.
- DO NOT USE THIS APPLIANCE IF ANY PART HAS BEEN UNDER WATER.
- CALL A QUALIFIED SERVICE TECHNICIAN IMMEDIATELY TO HAVE THE APPLIANCE INSPECTED FOR DAMAGE TO THE ELECTRICAL CIRCUIT.
- RISK OF ELECTRICAL SHOCK OR EXPLOSION. DO NOT WIRE 110V TO THE VALVE OR TO THE APPLIANCE WALL SWITCH.
- INCORRECT WIRING WILL DAMAGE CONTROLS AND IS NOT COVERED BY THE WARRANTY.
- ALL WIRING SHOULD BE DONE BY A QUALIFIED ELECTRICIAN AND SHALL BE IN COMPLIANCE WITH LOCAL CODES. IN THE ABSENCE OF LOCAL CODES, USE THE CURRENT CSA22.1 CANADIAN ELECTRIC CODE IN CANADA OR THE CURRENT NATIONAL ELECTRIC CODE ANSI / NFPA NO. 70 IN THE UNITED STATES.

Important : This electrical box must be located within 10 feet of the burner(s) as the AC adaptor is 10 feet long and will not reach the DC supply wire connection if any farther.

Note: If 2 burners are used, an additional AC adapter will be required to power the second burner. (PTO30/PTO50 only)

The 4 AA batteries do not need to be installed if using the AC adaptor. The batteries would only be required in the event that 120V power is lost.

SHUT OFF GAS AND ELECTRICAL SUPPLY BEFORE STARTING THIS INSTALLATION.

1. Install electrical box into the outer box with 4 screws (Diagram 1).
2. Depending on which side (or conduit size) the electrical outlet will be installed, remove the corresponding knockouts in the outer box and electrical box to allow access for the conduit wiring (supplied by others) (Diagram 1).

ALL WIRING SHOULD BE DONE BY A QUALIFIED ELECTRICIAN

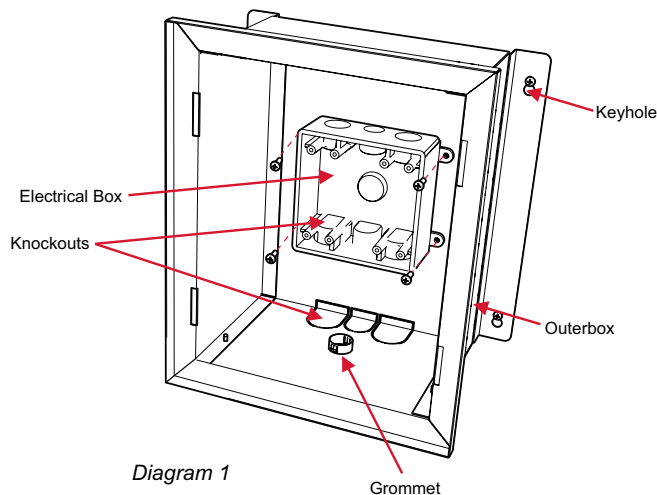
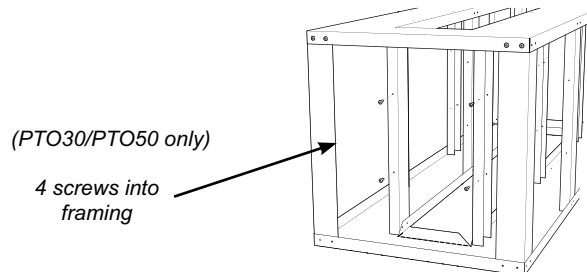


Diagram 1

Install electrical box into the outer box with 4 screws.

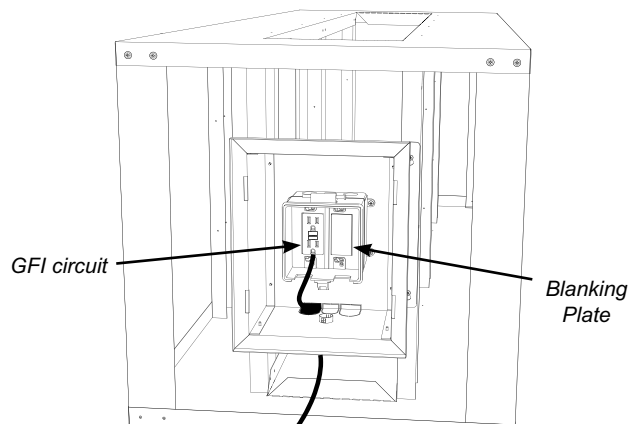
3. Install 4 screws into existing holes in the interior if using the optional framing kit in locations shown in the diagram below. Keep screws loose--do not tighten.

NOTE: If the optional framing is not used the outer box can be installed into conventional framing. See Step 14.



In the diagram below the outer box is installed. To install the outer box, line up the keyholes on the box with corresponding screws (installed in previous step) on the framing kit. When the box is in position, tighten the screws. (PTO30/PTO50 only)

4. Run the conduit to the electrical box through the knockout and complete the wiring of the electrical to the GFI circuit supplied with the kit. Once electrical wiring is complete, Secure both the GFI circuit and white blanking plate to the electrical box using 2 screws each.



5. Plug in the supplied AC adaptor and run the wire through the bottom of the outer box, be sure to use a grommet to protect the wire.

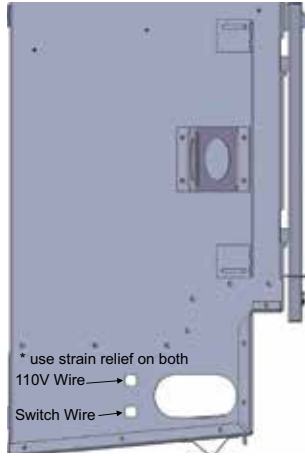


6. Run the AC adaptor wire from the recently installed electrical box, to the back of the unit end.

7. Attach the AC adaptor to the DC supply wire. Secure wire using a strain relief (see enclosed picture) Reinstall the valve cover plate (reverse Step 6).



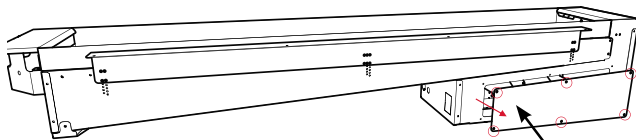
PTO30/PTO50/HZO60



HZO42

8. Remove the valve cover plate on side of unit to expose the DC supply wire by removing 6 screws (PTO30/PTO50/HZO60 only)

NOTE: The valve cover plate should be removed prior to being installed into the framing kit or framing in general for ease of access to these 6 screws. This would also apply when reinstalling the valve cover plate.

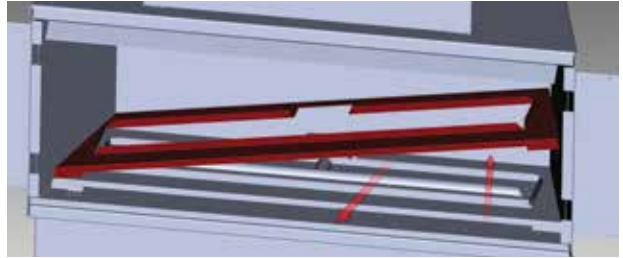


Valve cover plate
(PTO30/PTO50/HZO60 only)

9. HZO42/HZO60 only--Remove the front access panel by lifting up and out.



10. HZO42/HZO60--Remove the burner tray by lifting up and out.

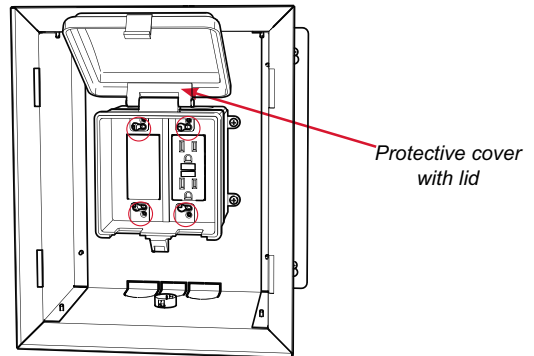


- HZO42 only- remove 6 screws in locations shown below to access DC supply.

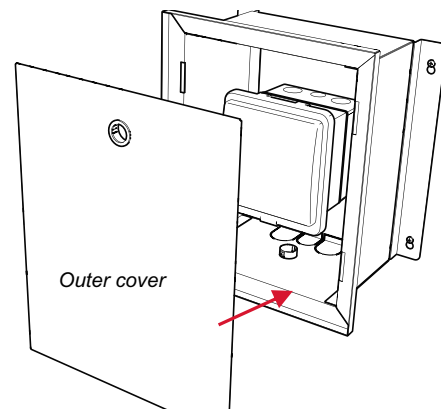


11. Locate the 'DC supply' wire on the wiring harness, the wire will be clearly marked. See 'AC Adaptor Install' in the manual.

12. Secure protective cover with lid to the receptacle box with 4 screws.



13. Install cover onto outer box.

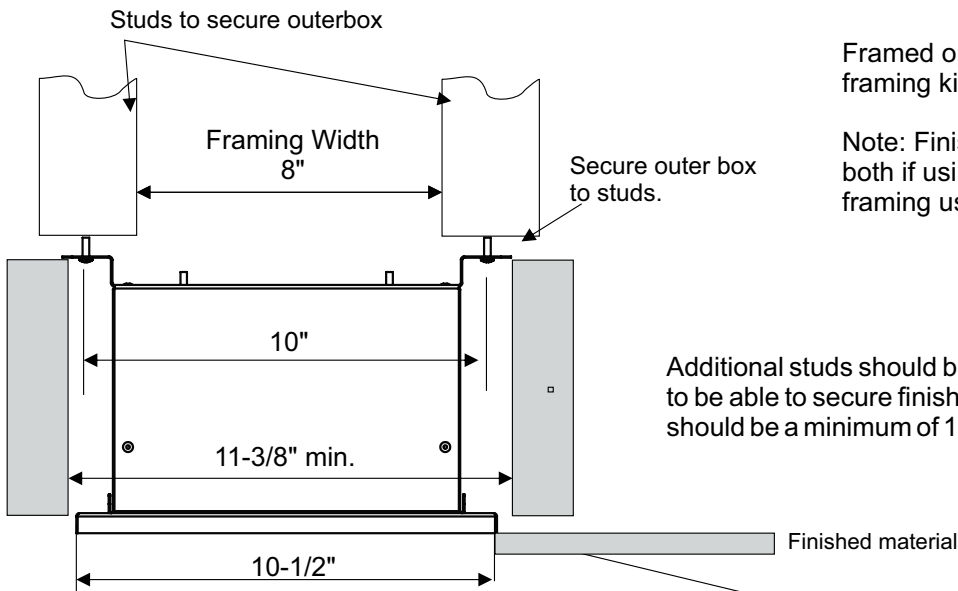


14. Turn on gas and electrical supply and test unit.

15. PTO100 Only:

If a second AC adaptor is required to power a second burner, repeat steps 5-9.

16. Installing the outer box into conventional framing:

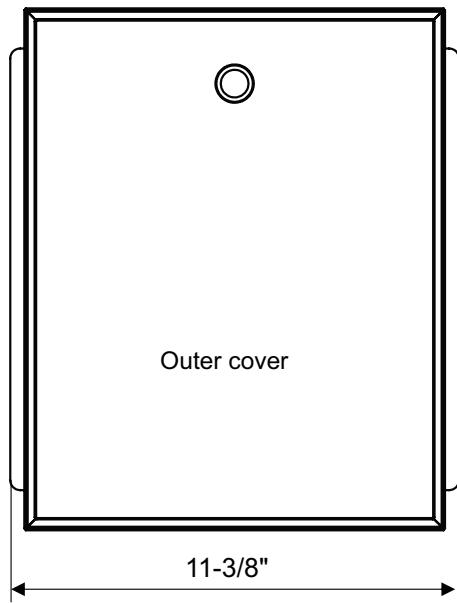


Framed opening, if not using steel stud framing kit.

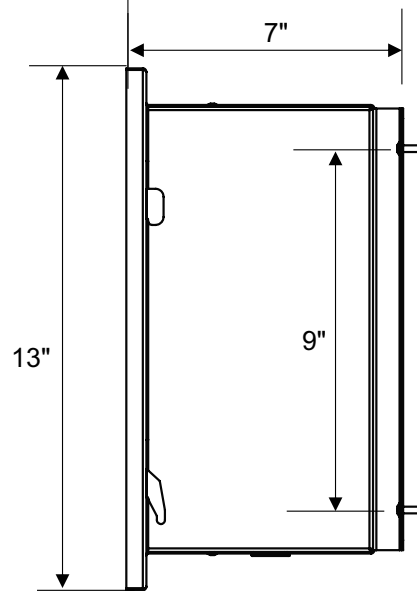
Note: Finished materials would apply to both if using the steel stud kit or framing using other materials.

Additional studs should be placed anywhere in this area to be able to secure finished materials. Framed opening should be a minimum of 11 3/8".

Top View



Front View

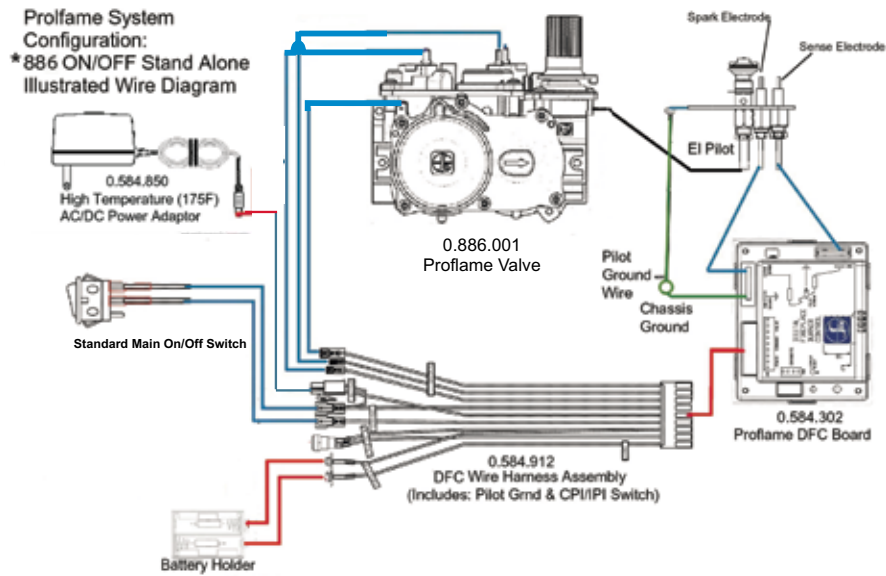


Side View

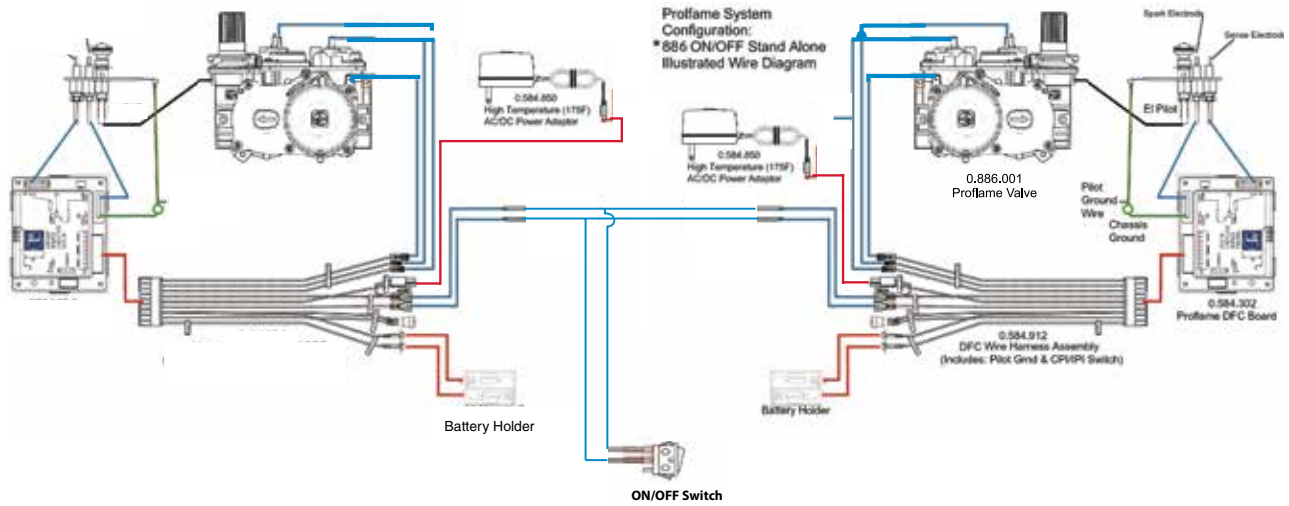
The front outer cover may also be covered with finishing materials if desired. Ensure that the outer cover when using finished materials, that it may be removed if access is ever required to the GFI circuit.

WARNING: Failure to position the parts in accordance with these diagrams or failure to use only parts specifically approved with this appliance may result in property damage or personal injury.

**PTO50/PTO30/HZO42 WIRING DIAGRAM
USING AC ADAPTOR**



**PTO100/PTO60 WIRING DIAGRAM
(2 X PTO50 / 2 X PTO30 ASSEMBLED END-TO-END)
USING AC ADAPTOR**



AC ADAPTOR INSTALLATION

A hard wire kit is available for this unit as an option (see hard wire kit instructions), to hard wire this appliance, a qualified electrician must remove the cord connection, and wire the appliance directly to the household wiring. This appliance must be electrically connected and grounded in accordance with local codes, if hard wired. In the absence of local codes, use the current CSA C22.1 CANADIAN ELECTRICAL CODE in Canada or the current ANSI/NFPA 70 NATIONAL ELECTRICAL CODE in the United States.

WARNING!

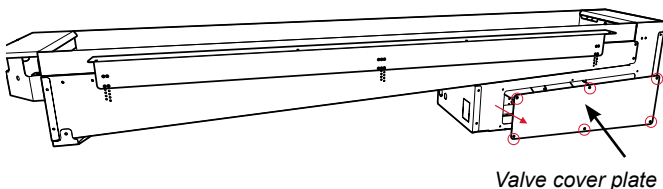
- USE ONLY A GROUND FAULT INTERRUPTER (GFI) PROTECTED CIRCUIT WITH THIS OUTDOOR GAS APPLIANCE .
- ENSURE THAT ALL POWER SOURCES HAVE BEEN SHUT OFF PRIOR TO BEGINNING ANY ELECTRICAL WORK.
- DO NOT USE THIS APPLIANCE IF ANY PART HAS BEEN UNDER WATER.
- CALL A QUALIFIED SERVICE TECHNICIAN IMMEDIATELY TO HAVE THE APPLIANCE INSPECTED FOR DAMAGE TO THE ELECTRICAL CIRCUIT.
- RISK OF ELECTRICAL SHOCK OR EXPLOSION. DO NOT WIRE 110V TO THE VALVE OR TO THE APPLIANCE WALL SWITCH.
- INCORRECT WIRING WILL DAMAGE CONTROLS AND IS NOT COVERED BY THE WARRANTY.
- ALL WIRING SHOULD BE DONE BY A QUALIFIED ELECTRICIAN AND SHALL BE IN COMPLIANCE WITH LOCAL CODES. IN THE ABSENCE OF LOCAL CODES, USE THE CURRENT CSA22.1 CANADIAN ELECTRIC CODE IN CANADA OR THE CURRENT NATIONAL ELECTRIC CODE ANSI / NFPA NO. 70 IN THE UNITED STATES.

Important: Electrical box must be located within 10 feet of the burner(s) as the AC adaptor is 10 feet long and will not reach the DC supply wire connection if any farther.

The 4 AA batteries do not need to be installed if using the AC adaptor. The batteries would only be required in the event that 120V power is lost.

1. Remove the valve cover plate on side of unit to expose the DC supply wire by removing 6 screws

NOTE: The valve cover plate should be removed prior to being installed into the framing kit or framing in general for ease of access to these 6 screws. This would also apply when reinstalling the valve cover plate.



2. Locate the 'DC supply' wire on the wiring harness, the wire will be clearly marked.



AC adaptor

DC supply wire from wiring harness

3. Run the AC adaptor wire from the recently installed electrical box, to the back of the unit end, connect the AC Adaptor with the DC supply wire in the previous step.
4. Attach the AC adaptor to the DC supply wire. Secure wire using a strain relief (see enclosed picture) Reinstall the valve cover plate (reverse Step 2).
5. Plug the AC adaptor into a grounded fault interrupter (GFI) protected circuit.
6. Turn on gas and electrical supply and test unit.

INNER PANEL INSTALLATION

Before installation, panels must be handled and cleaned as per instructions noted below:
Stainless Steel Panels
<ul style="list-style-type: none"> Stainless panels must be inspected for scratches and dimples prior to installation. All claims to be recorded at this time. Claims for damage after installation will not receive consideration.
<ul style="list-style-type: none"> To protect the finish during installation and handling - cotton gloves MUST be worn at all times while handling the panels (even when removing protective coating).
<ul style="list-style-type: none"> Use a hair dryer or similar device to remove the protective coating from the panels.
<ul style="list-style-type: none"> Stainless panels will discolor a little during normal operation. This is normal and should not be considered a defect.
<p>* All hand and finger marks MUST be cleaned off with a soft cloth and a stainless steel cleaner. Most stainless steel cleaners leave a film/residue on the surface of the panels. Use an ammonia based cleaner (ie. glass cleaner) to remove this film before applying heat to the unit. Failure to do this will result in burn stains on panels which you will be unable to remove. Not protected by product warranty.</p>

1) Install the back panel first - to maneuver the panel into position - tilt the top of the panel forward and position the bottom of the panel in first. Use care - do not scratch the panel when clearing the pilot hood.



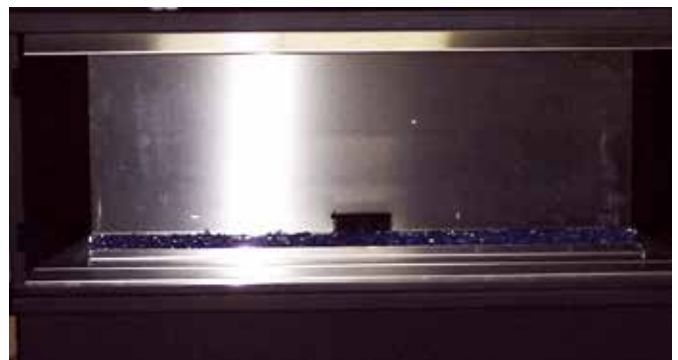
2) Install a side panel next (not important which side goes in first). Position the panel with the bend in the panel facing towards the outside or wall of the unit. Position side panel and secure with a clip and one screw.



3) Install other side panel next. Position side panel and secure with a clip and one screw.



4) Final install - shown below.



GLASS CRYSTAL INSTALLATION

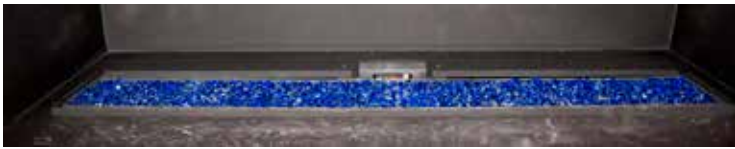
Spread the Glass Crystals or Stones evenly over the burner. Ensure the crystals/stones do not overlap excessively as this will affect the flame pattern.

IMPORTANT NOTE:

Only the approved Glass Crystals and Stones are to be used with these fireplaces. Use of any other type of glass crystals or stones can alter the unit's performance, any damage caused by the use of any unapproved glass or stones will not be covered under warranty.

When using Ceramic Spa/Volcanic Stones **DO NOT** cover burner ports or pilot light that lead to pilot flame.

BURNER PACKAGES		
Unit	Glass Crystals	Stones - Spa / Ceramic / Volcanic
HZO42	3 lbs	3 lb Glass + 35 Volcanic stones



There are 2 optional packages to choose from to cover the firebox base:

- 1) Natural River Pebbles
- 2) Glass Crystals (4 colors available)

Spread the pebbles / crystals evenly on the exposed base of the firebox. Pebbles are **NOT** to be placed anywhere on the burner or over top of the Glass Crystals or optional Stones.

IMPORTANT NOTE: Only the supplied and approved pebbles / glass crystals are to be used with these fireplaces. Use of any other type of pebbles, glass crystals or other material can create a danger and will void the warranty.

Firebox (Around Burner) Packages		
Unit	Glass Crystals	Pebbles
HZO42	3 lbs	1 package (3 x bags pebbles)

VOLCANIC STONE INSTALLATION

Evenly spread the glass crystals and volcanic stones over the burner. Ensure the stones do not overlap too much as this will effect the flame pattern.

IMPORTANT NOTE:

Only the supplied approved Volcanic Stones are to be used with these fireplaces. Use of any other type of stones can alter the unit's performance, any damage caused by the use of any unapproved glass or stones will not be covered under warranty.

When using Volcanic Stones DO NOT cover burner ports or pilot light that lead to pilot flame. Ensure the stones do not overlap excessively as this will effect the flame pattern.

OUTDOOR VOLCANIC STONE BURNER PACKAGES			
Unit	Volcanic Stones Ivory/Tan	Volcanic Stones Slate/Grey	White Garden Stones
HZO42/HZO42 (AUS)	35 stones w/3lbs glass	35 volcanic stones w/3lbs glass	50 garden stones w/3lbs glass (AUS Only)
PTO30*/Plateau Series	50 stones w/5lbs glass	50 volcanic stones w/5lbs glass	
PTO60	100 stones w/10lbs glass	100 stones w/10lbs glass	
NOTE: * Basalt Volcanic stones are measured by weight not quantity. Each bag contains 15lbs of stones, however the exact quantity and size will vary. Size varies between 2" - 3".			



*Volcanic Stones + Glass Crystals
For the PTO30, PTO60
& Plateau Series only*



*Volcanic Stones Ivory /Tan + Glass Crystals
For the HZO42 & HZO42AUS
only*



*Volcanic Stones Slate /Grey + Glass Crystals
For the HZO42 & HZO42AUS
only*

OPTIONAL LOG SET INSTALLATION

Installation of Reflective Panels must be completed before installing the log set.

Read the instructions below carefully and refer to the images. If the logs are broken do not use the unit until they are replaced. Broken logs can interfere with pilot operation. Install 3lbs of glass crystal on the burner (follow glass crystal instruction sheet) before installing logs.

Improper positioning of the logs may create carbon build-up and can alter the unit's performance which is not covered under warranty.

Log kit # 326-930 contains the following pieces:

<u>Part #</u>	<u>Description</u>
A x 1	Log
B x 1	Log
C x 1	Log
D x 1	Log
E x 1	Log

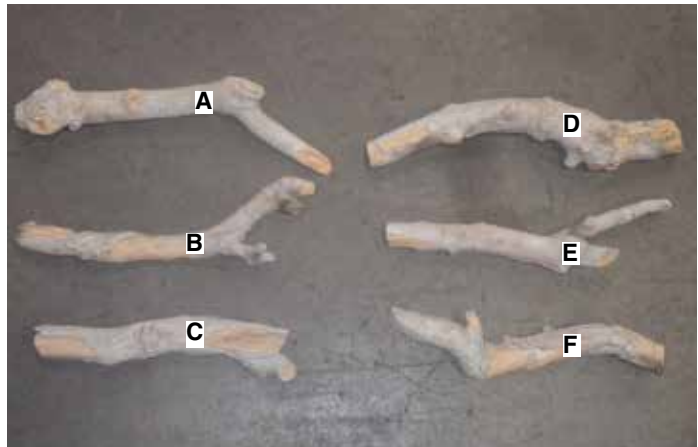


Diagram 1

- 1) Install logs A and C on the burner as shown below. Orient the logs in the same way and in a similar location on the left side of the burner as depicted in Diagram 2.



Diagram 2

- 2) Install log B on the burner as shown below. Orient log B across log A in the same way and in a similar position as depicted in Diagram 3.

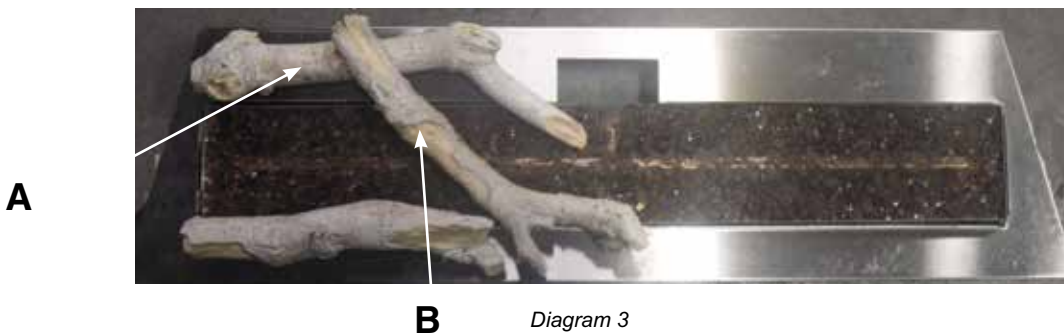


Diagram 3

- 3) Install log E on the right side of the burner as shown below. Orient log E in the same way and in a similar position as depicted in Diagram 4.



Diagram 4

- 4) Install log D on the burner as shown below. Orient log D across log E in the same way and in a similar position as depicted in Diagram 5- log D will rest up against the back panel.



Diagram 5

- 5) Install log F on the right side of the burner as shown below. Orient log F in the same way and in a similar position as depicted in Diagram 6.



Diagram 6

F

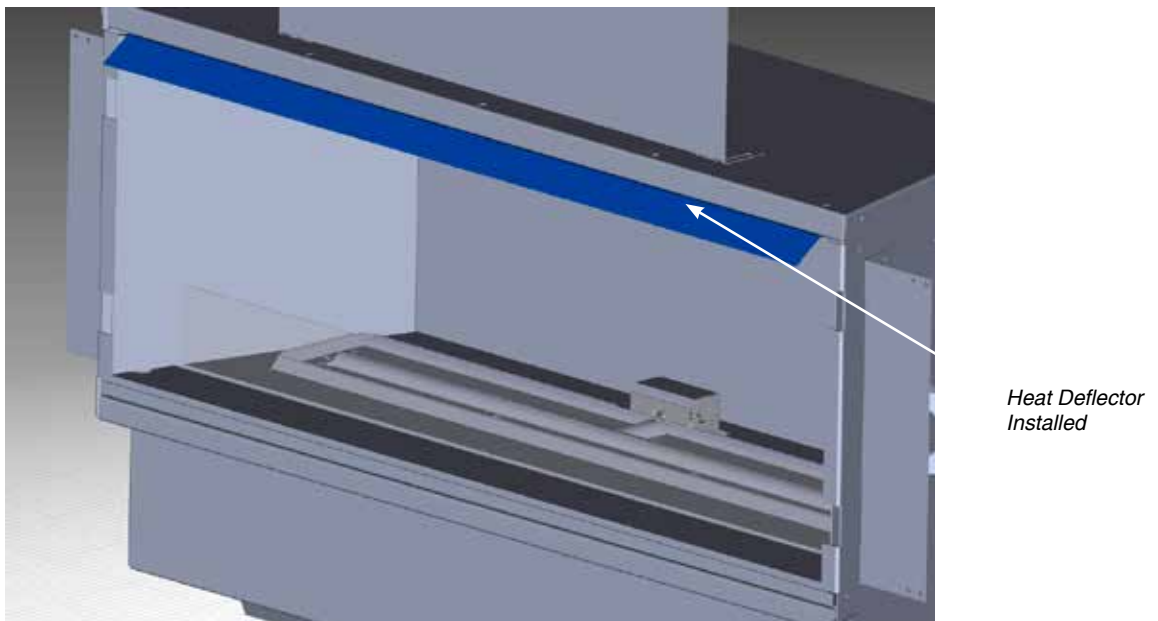
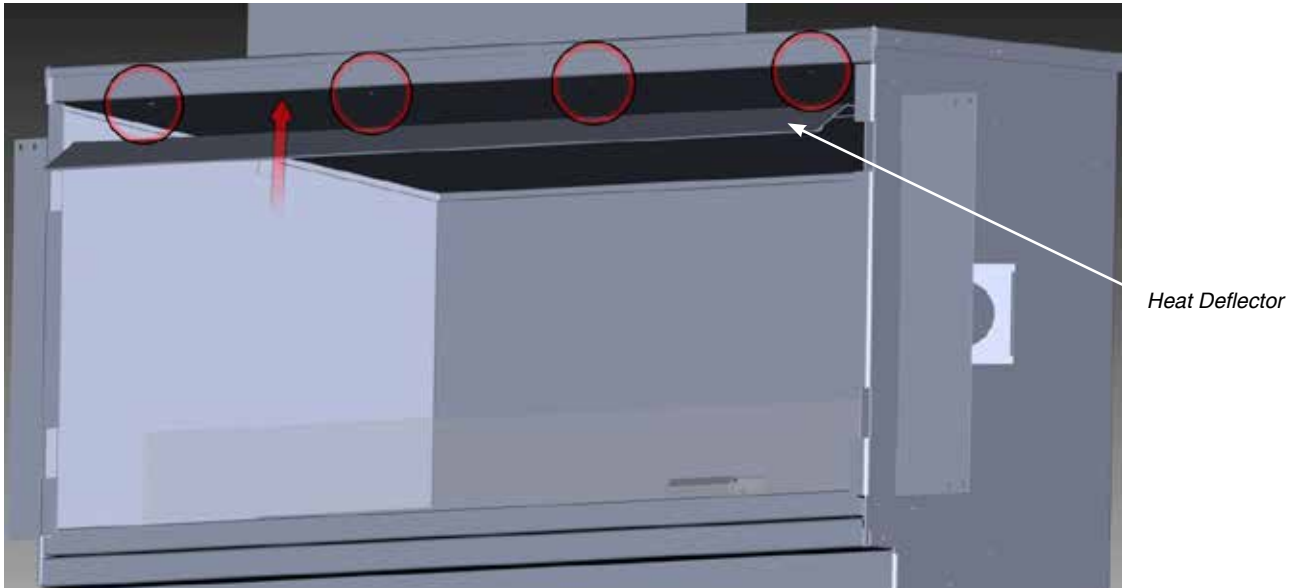


Final Install

WARNING: Failure to position the parts in accordance with these diagrams or failure to use only parts specifically approved with this appliance may result in property damage or personal injury.

HEAT DEFLECTOR INSTALLATION

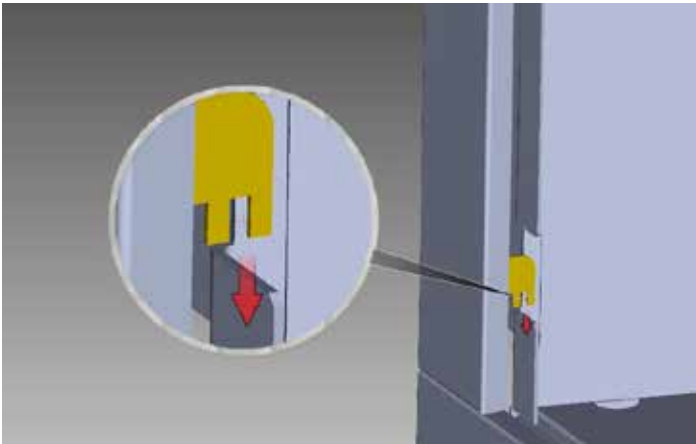
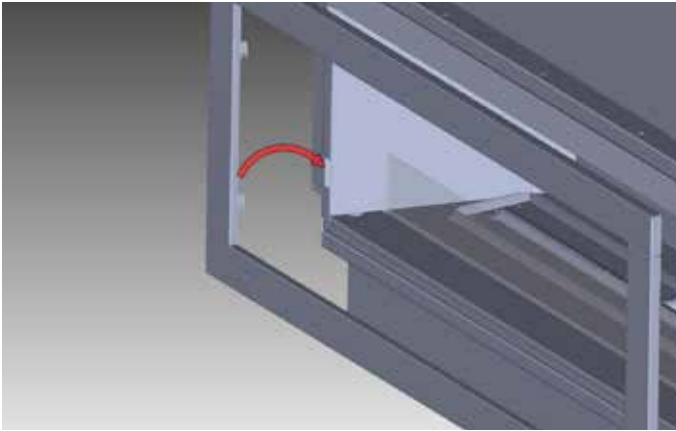
- 1) Install the heat deflector to the top inside of the firebox with 4 screws as shown below.



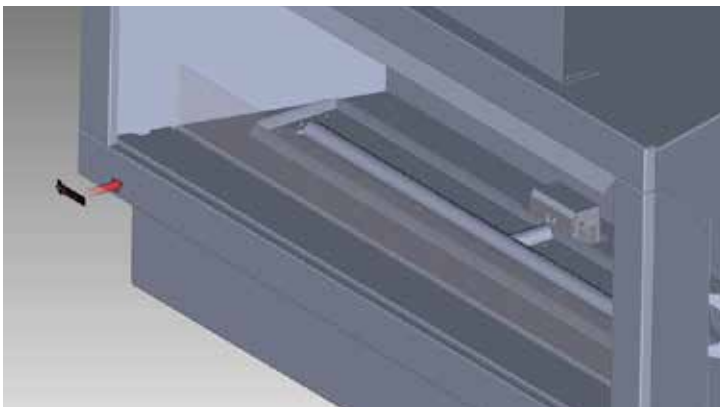
FACEPLATE INSTALLATION

Remove the protective coating from the faceplate before installation - see handling instructions in panel install section.

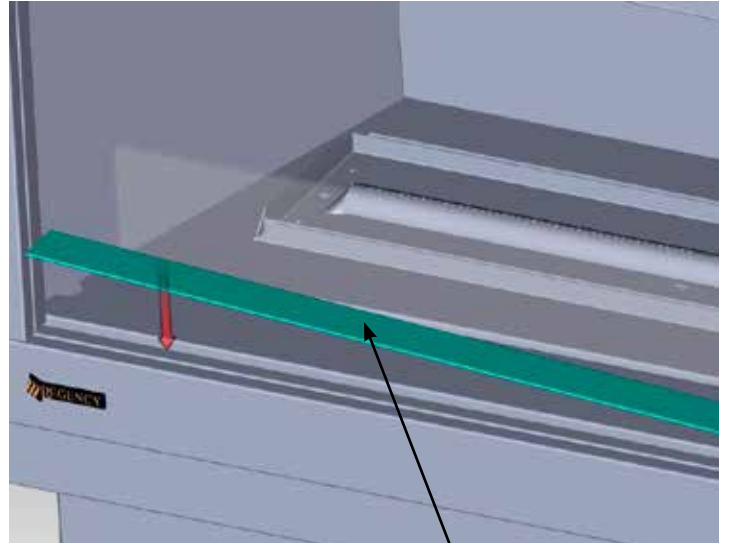
- 1) To install the faceplate - line up the tabs on the faceplate with the 'C' shaped openings on the left and right sides of the unit. There are 3 slots on each tab so the faceplate to accommodate different finishing materials.



- 2) Install logo onto faceplate.

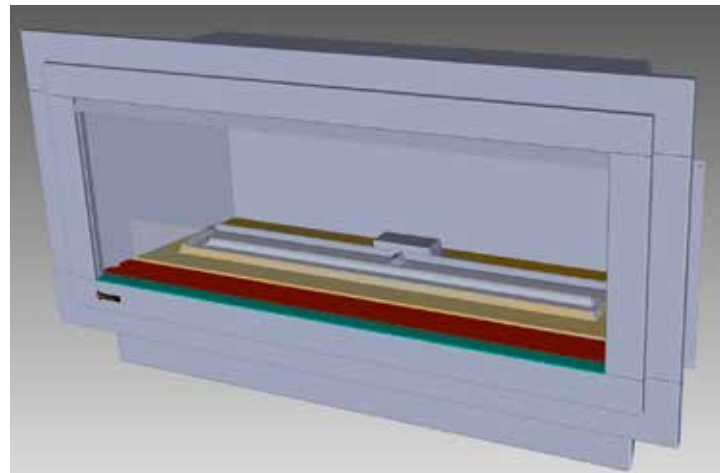


- 3) For installations where thicker finishing material is used - the optional trim piece may be installed to fill the gap. Install the trim between the bottom access panel and the faceplate as shown below.



Trim Piece

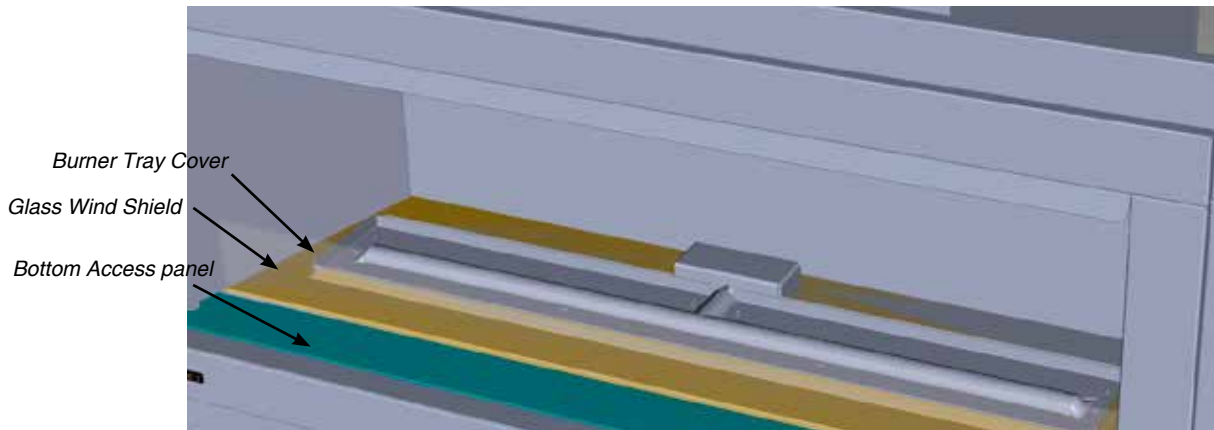
- 4) To remove - reverse steps.



Final Install

GLASS WIND SHIELD INSTALLATION

- 1) To install the glass wind shield - slot it into the space between the burner tray cover and the bottom access panel.



WEATHER COVER INSTALLATION / REMOVAL

- 1) The unit should be covered when not in use for extended periods of time. The soft fabric cover is made of weather resistant material - to protect the unit from the elements. Starting from one corner - slide the cover over the corner, then stretch the cover until it is fitted over all four corners.



CAUTION:
 Never start the unit with the cover on.
 Let the unit cool before installing the cover.
 Turn off gas supply to unit before installing cover.

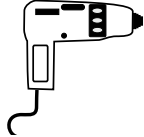
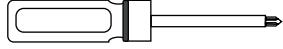




Weather Cover Installed

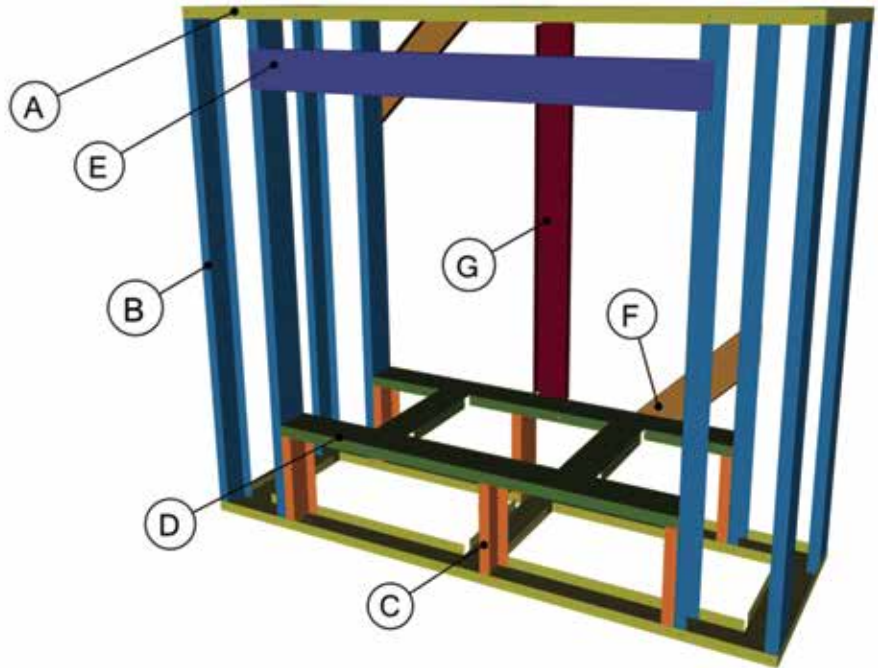
ASSEMBLY INSTRUCTIONS FOR A STEEL STUD FRAMING KIT FOR HZO42

Follow these instructions to construct a steel stud frame for the Outdoor fireplace;
 Overall dimensions = 60" W x 20" D x 52-1/2" H.

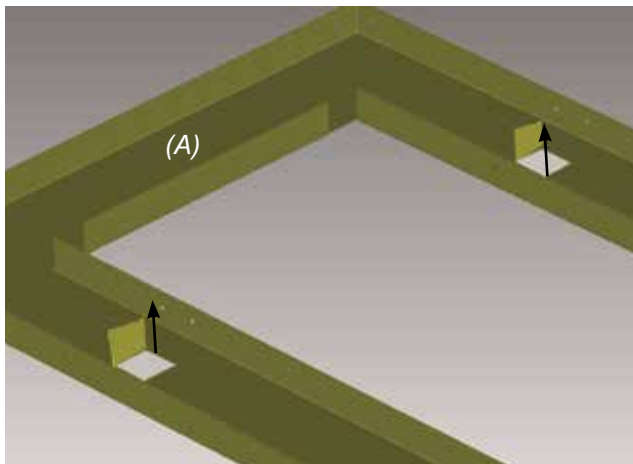
**Non-combustible finishing board not supplied with kit. Board may be purchased at your local hardware/building supply store.

Tools Required	
1 power drill + #2 phillips bit	
1 hand #2 screwdriver (Phillips)	
1 level	
1 tape measure	

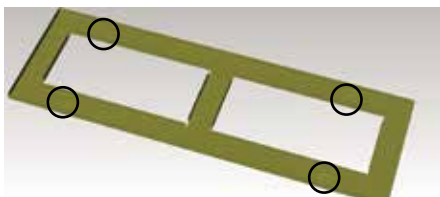
326-900 CONTENTS:	
Top / Bottom	(A) x 2
Vertical Supports - Tall	(B) x 8
Vertical Supports - Short	(C) x 6
Base	(D) x 1
Header	(E) x 1
Corner Brace	(F) x 2
Vertical Support	(G) x 1
Wafer Screws	80



- 1) Place top/bottom (A) on the ground - flat side down. Bend the tabs up to a 90° angle.

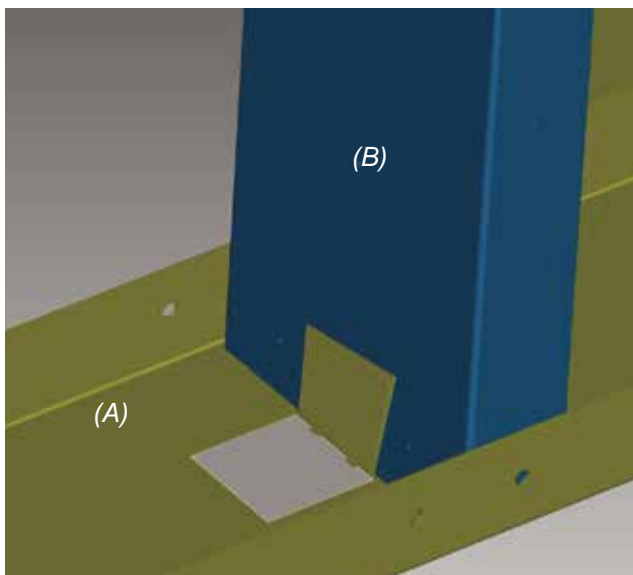


Bend tabs inward to 90° angle.



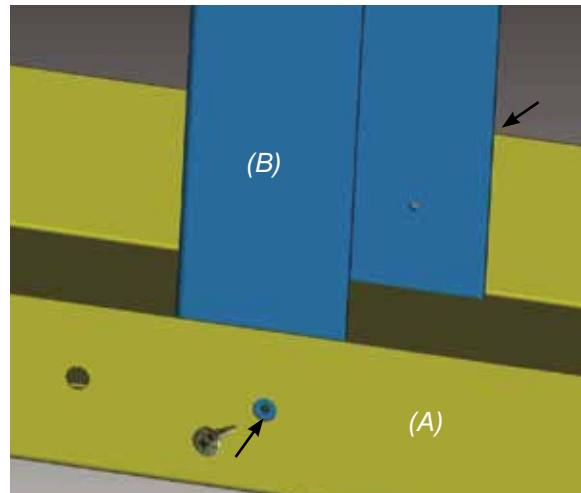
(A)
Tab locations

- 2) Position 4 of the (B) pieces with the flat side of (B) contacting the tab as shown below.

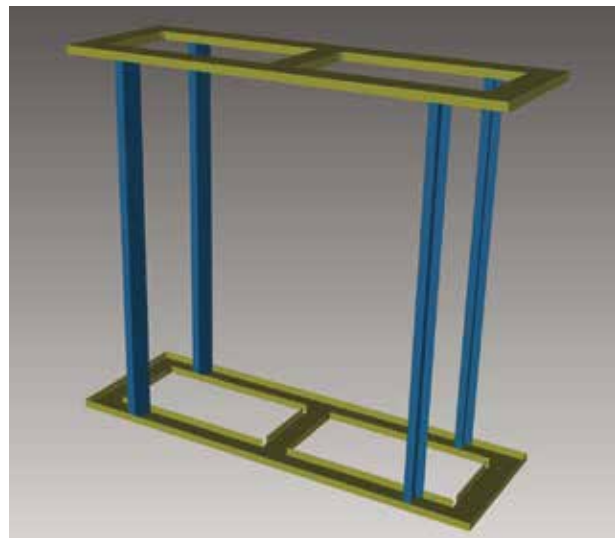


Part B positioned flat side flush with A tab.

- 3) Line up the screw holes of (A) with (B). Secure each (B) with 2 wafer screws (one on each side) as shown below.



- 4) With all 4 - (B) pieces secured to the bottom with 2 screws (1 on each side) (A) can be placed into position, as shown below. Ensure all tabs on the (A) are bent to 90° and oriented to each (B) as shown in step 2.



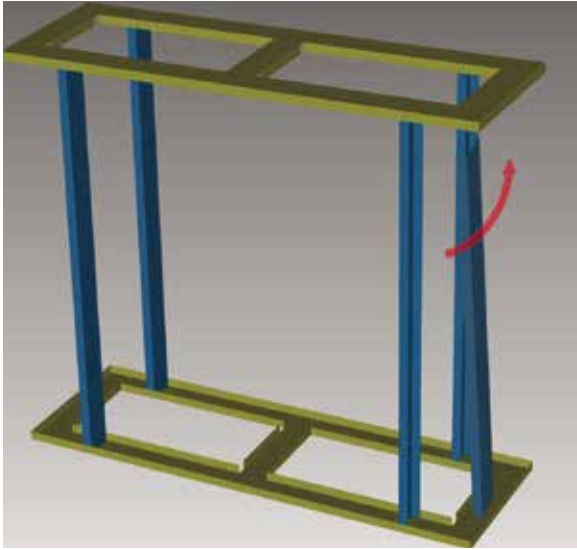
- 5) Line up top (A) screw holes with (B) screw holes and secure with (B) to (A) with 2 wafer screws (1 on each side - 8 in total).

Note: Securing inner (B) pieces to top (A) will add rigidity, making it easier to lineup and install outer (B) pieces.

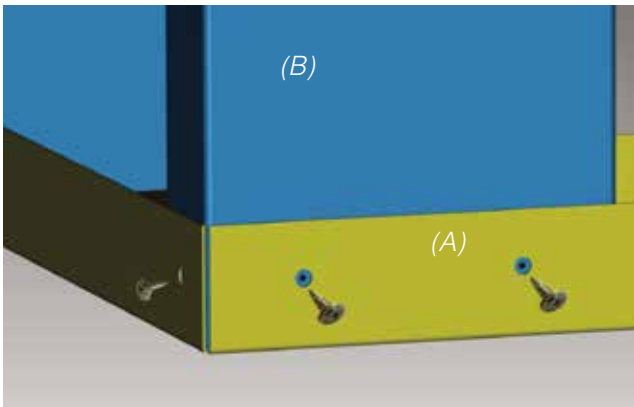
Important: (B) - (tall vertical supports) must be positioned as shown to ensure the correct installation of (C).

34 | installation

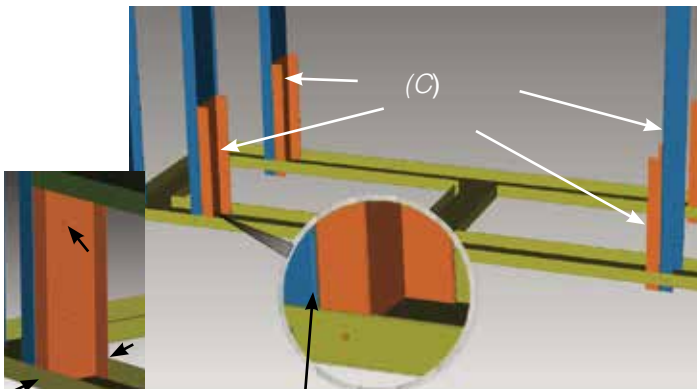
6) Manoeuvre remaining (B) pieces and position in each corner of the frame - flat side facing out - see 2 diagrams below.



7) Line up screw holes on top / bottom (A) with each (B)- secure with 3 wafer screws each on top and bottom - 6 screws in total for each outer (B) (3 top- 3 bottom).



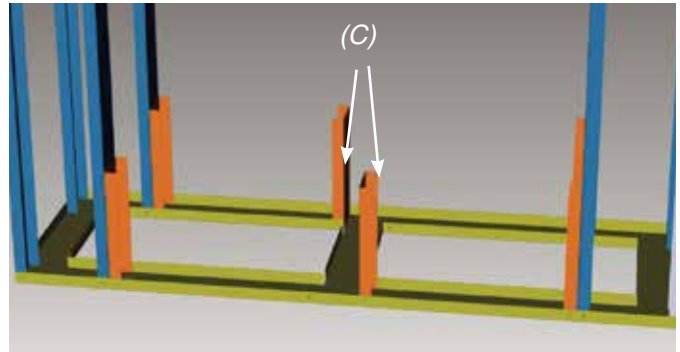
8) Position 4 - (C) pieces with the flat side back to back with the flat side of each inner Part B as shown below. Secure each (C) to bottom (A) with 3 wafer screws (one on each side and one at top as shown below).



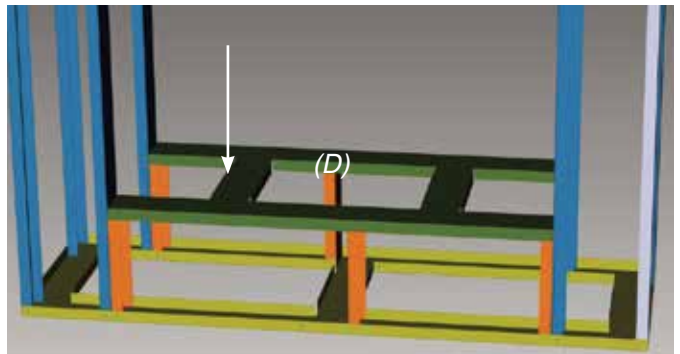
(C) Screw locations

(B)+ (C) - flat sides back to back

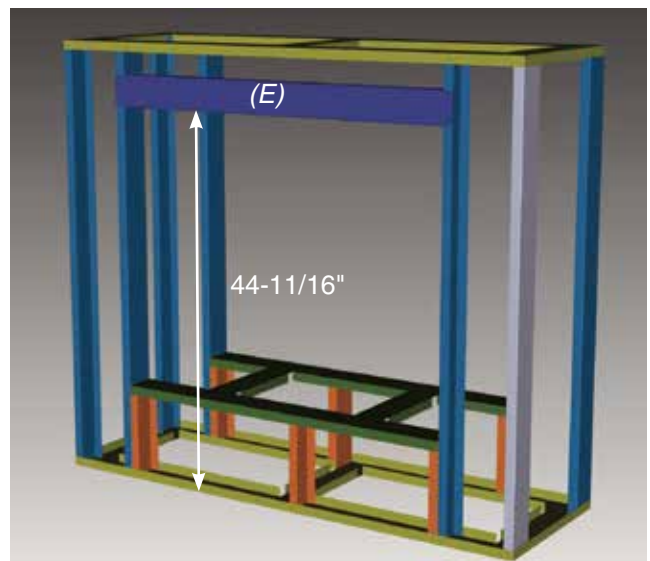
9) Position remaining 2 - (C) pieces offset from center rib as shown below.



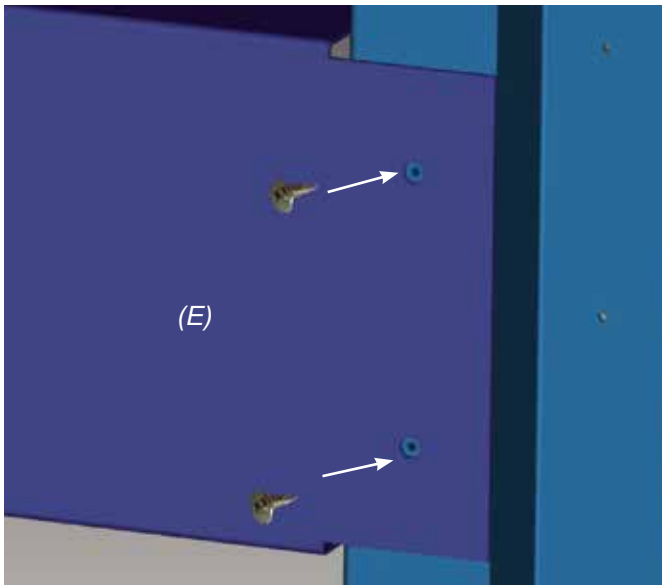
10) Position (D) on top of (C) pieces - line up screw holes and secure (D) to (C) with 12 wafer screws.



11) Measure 44-11/16" from floor (bottom of the header location) line up (E) (header) with appropriate screw holes.

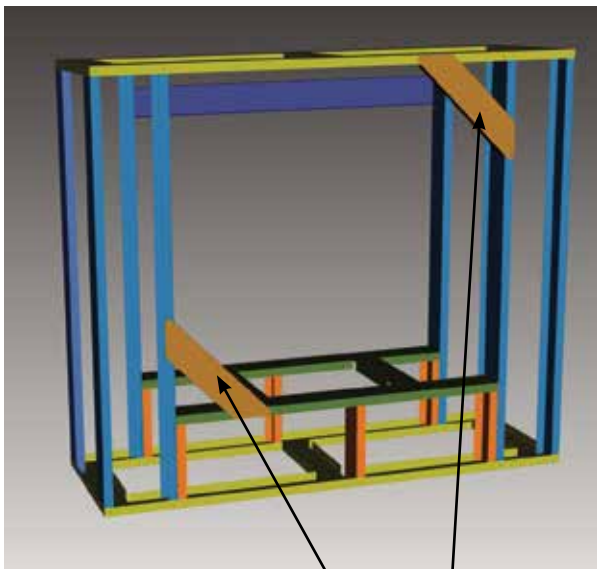


12) Line up screw holes on (E) (header) and (B) (inner vertical support). Secure with 2 wafer screws on each side (4 total) as shown below. This will now be the front of the frame.



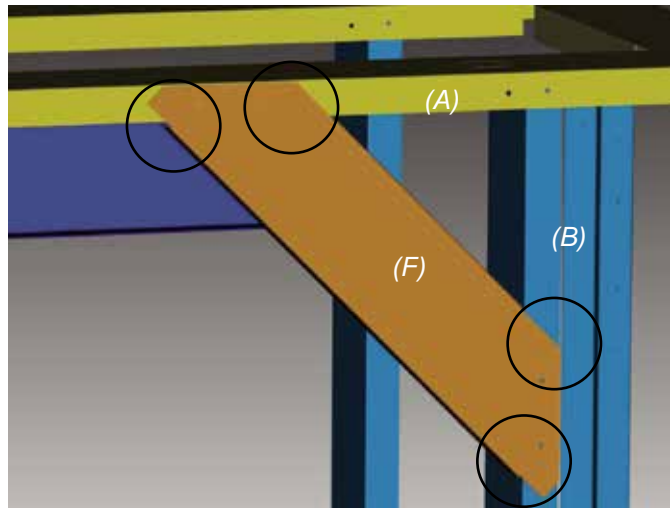
13) On the back side of the frame. Install both (F) pieces (corner brace) on opposite corners.

Important: (F) parts must be installed opposite from one another for rigidity as shown below.

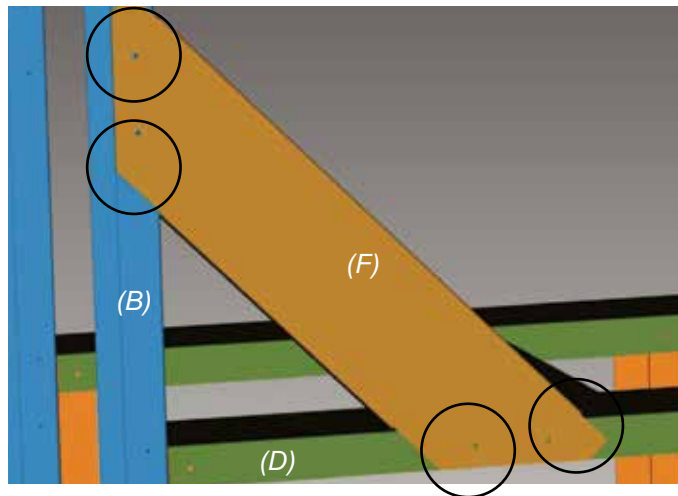


(F) corner brackets positioned in opposite corners

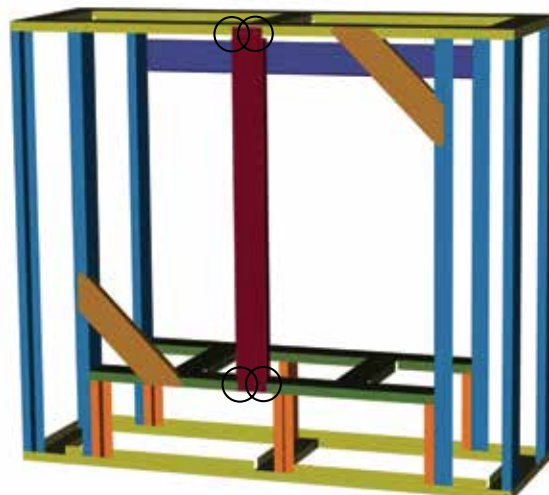
14) Line screw holes on 1 (F) (corner brace) with (B) + (A) and secure with 4 wafer screws. as shown below.



15) Repeat step 14 for opposite corner as shown below.



16) Install vertical back support to back of assembly with 2 screws at top and bottom in locations shown below.



Note: Confirm assembly is level and square before proceeding with further materials.

OPERATING INSTRUCTIONS

- 1) Read and understand these instructions before operating this appliance.
- 2) Check to see that all wiring is correct and enclosed to prevent possible shock.
- 3) Check to ensure there are no gas leaks.
- 4) Ensure that the stainless panels are installed.
- 5) Verify log placement. If the pilot cannot be seen when lighting the unit, the logs have been incorrectly positioned.
- 6) The unit should never be turned off, and on again without a minimum of a 60 second wait.

LIGHTING PROCEDURE

- 1) Turn on ON/OFF switch.
- 2) After approximately 4 seconds the spark ignition system will spark for 60 seconds to light the main burner.
- 3) The unit will turn on.

Note: The first try for ignition will last approximately 60 seconds. If there is no flame ignition (rectification) the board will stop sparking for approximately 35 seconds. After wait time, the board will start second try for ignition by sparking for approximately 60 seconds. If there is still no positive ignition the board will go into lock out.

The system will need to be reset as follows:

- a) Turn the system off using ON/OFF switch.
- b) After approximately 2 seconds turn on ON/OFF switch.
- c) Unit will repeat step 2.

SHUTDOWN PROCEDURE

- 1) Turn ON/OFF switch.
- 2) If service is to be performed - you must disconnect both sources of power to the unit, the main power and battery.

FIRST FIRE

The first fire in your fireplace is part of the paint curing process. To ensure that the paint is properly cured, it is recommended that you burn your fireplace for at least four (4) hours the first time you use it.

When first operated, the unit will release an odour caused by the curing of the paint, the burning off of any oils remaining from manufacturing.

The glass panel may require cleaning after the unit has cooled down.

DO NOT ATTEMPT TO CLEAN THE GLASS WHILE IT IS HOT.

Note: When the glass is cold and the appliance is lit, it may cause condensation and fog the glass. This condensation is normal and will disappear in a few minutes as the glass heats up.

AERATION ADJUSTMENT

Open the air shutter for a blue flame or close for a yellower flame. The burner aeration is factory set but may need adjusting due to either the local gas supply or altitude.

Minimum Air Shutter Opening:

1/8"	Natural Gas
1/4"	Propane

CAUTION: Carbon will be produced if air shutter is closed too much.

Note: Any damage due to carboning resulting from improperly setting the aeration controls is NOT covered under warranty.

Note: Aeration Adjustment should only be performed by an authorized FPI Installer at the time of installation or service.

COPY OF LIGHTING PLATE INSTRUCTIONS

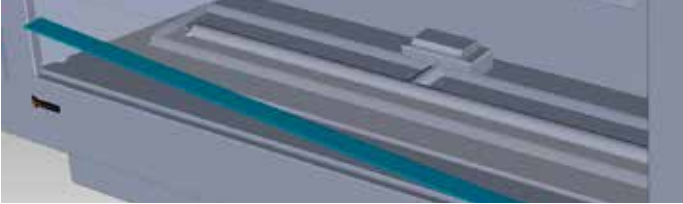
The lighting plate is located on the underside of the front access panel in the unit.

MAINTENANCE INSTRUCTIONS

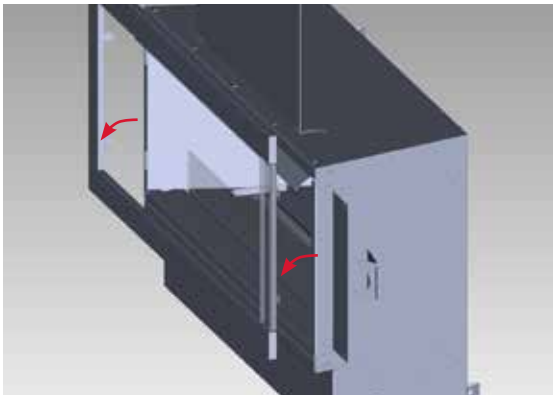
1. Always turn off the gas valve and unplug the batteries before cleaning. For relighting, refer to lighting instructions. Keep the burner and control compartment clean by brushing and vacuuming at least once a year. When cleaning the logs, use a soft clean paint brush as the logs are fragile and easily damaged.
2. Clean appliance with a damp cloth (never when unit is hot). Never use an abrasive cleaner. The glass should be cleaned with a gas fireplace glass cleaner.
3. Hand and finger marks should be cleaned off with a soft cloth and a stainless steel cleaner. Most stainless steel cleaners leave a film/residue on the surface of the panels. Use an ammonia based cleaner (ie. glass cleaner) to remove this film before applying heat to the unit. Failure to do this will result in burn stains on panels which you will be unable to remove.
4. The heater is finished in a heat resistant paint and should only be refinished with heat resistant paint. Regency® uses StoveBright Paint - Metallic Black #6309.
5. Make a periodic check of burner for proper position and condition. Visually check the flame of the burner periodically, making sure the flames are steady; not lifting or floating. If there is a problem, call a qualified service person.
6. The appliance must be inspected before use, and at least annually, by a qualified field service person, to ensure that the flow of combustion and ventilation air is not obstructed.
7. Do not use this appliance if any part has been under water. Immediately call a qualified service technician to inspect the appliance and to replace any part of the control system and any gas control which has been under water. This is not covered under the terms of the warranty policy.
8. Verify operation after servicing.

VALVE ASSEMBLY REPLACEMENT

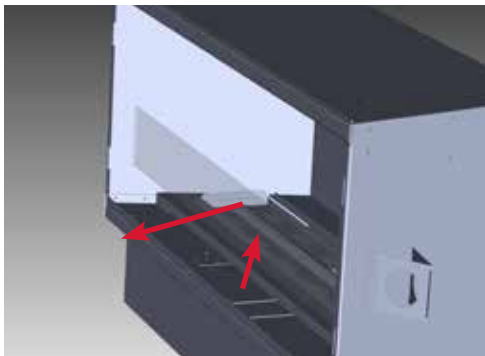
1. Turn the unit off and allow it to cool down to room temperature.
2. Turn off the gas supply to the unit.
3. Remove trim.



4. Remove the faceplate by lifting it up and off the unit.



5. Remove the glass wind shield by lifting it up and out- place on a soft surface.



6. Remove the screw and panel clip on the right side. Remove the right side panel once the clip has been removed.



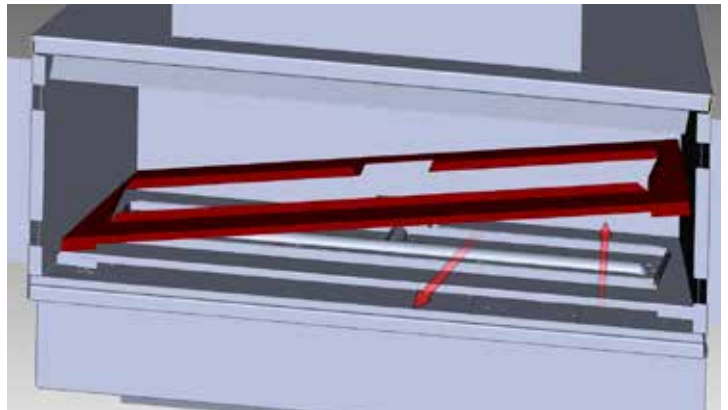
7. Remove the screw and panel clip on the left side. Remove the left side panel once the clip has been removed.

8. Remove the back panel once the 2 side panels have been removed.

9. Remove the front access panel by lifting up and out.



10. Remove the burner tray by lifting up and out.



11. Remove left and right screws from the burner legs.

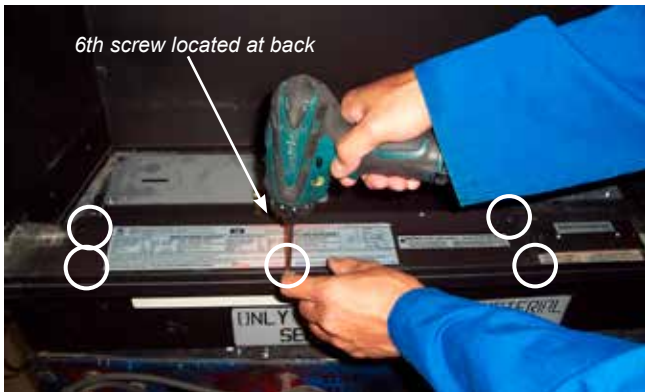


40 | maintenance

12) Slide the burner to the right and lift up and out of the firebox.



13) Remove 6 screws in locations shown below to access DFC.



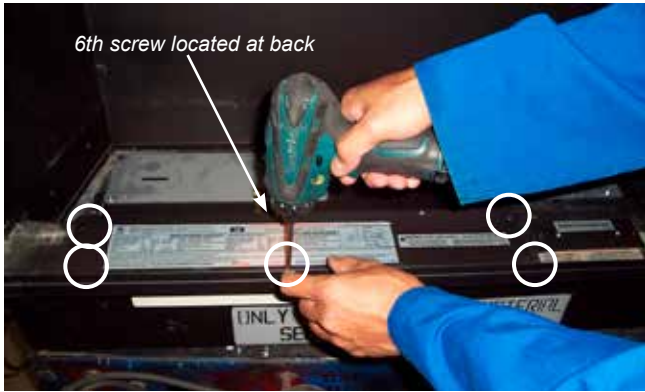
14) Remove 6 screws and lift out valve tray.



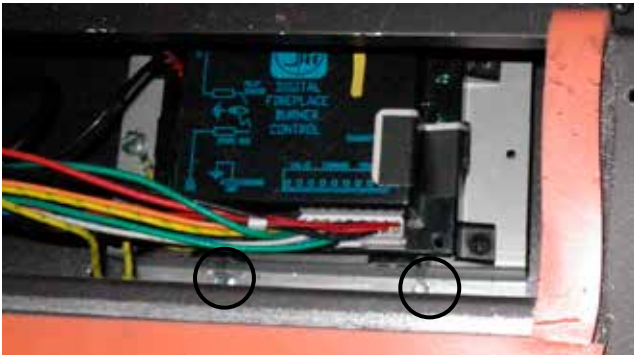
15) Replace with new valve tray and reverse steps. Inspect gasket condition, replace if necessary.

DIGITAL FIREPLACE BURNER CONTROL REMOVAL

- 1 Remove 6 screws in locations shown below to access DFC.



- 2 Remove the DFC from the floor of the firebox by removing 2 screws in locations shown below to release DFC bracket.



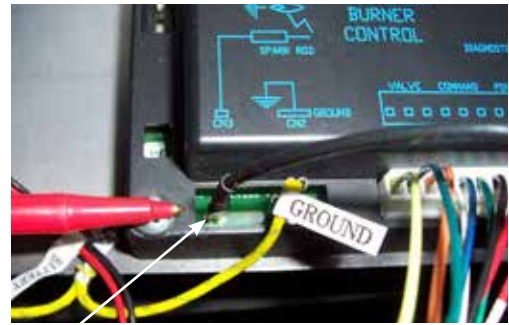
- 3 Disconnect the Black Pilot sensor wire with Red Spade connector from the 'ON' on DFBC (Digital fireplace burner control) box. See Diagram 1 below.



Pilot Sensor Wire

Diagram 1

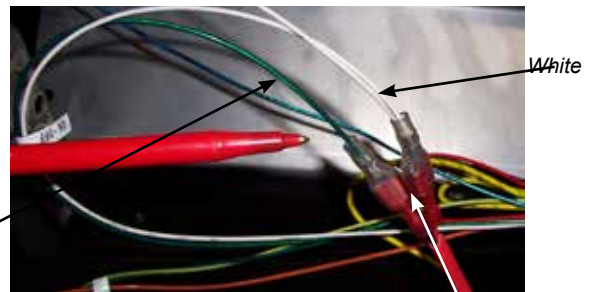
- 4 Disconnect the Black sparker wire with black spade connector from CN3. See Diagram 2 below.



Sparker Wire

Diagram 2

- 5 Disconnect the white and green On/Off switch wires. See Diagram 3 below.



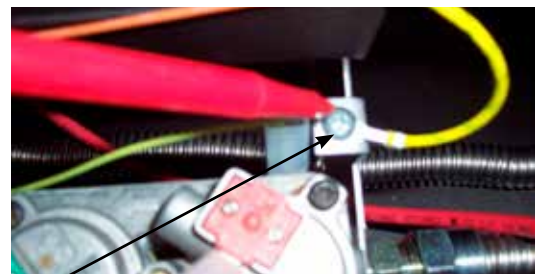
Green

White

Diagram 3

ON/OFF wires

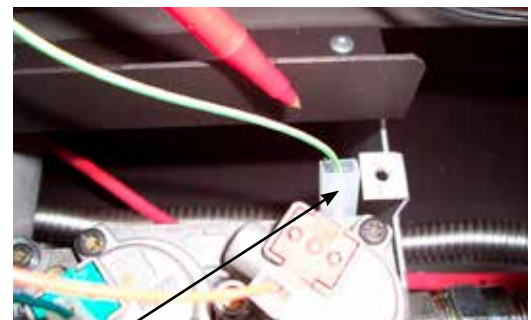
- 6 Disconnect the yellow ground wire with green diagonal stripe for pilot (CN2). See Diagram 4 below.



Ground wire

Diagram 4

- 7 Disconnect the three valve wires (yellow wire with green stripe). See Diagram 5 below.



Valve wire

Diagram 5

GAS MAINTENANCE - RECOMMENDED ANNUAL ROUTINE

In order for your Regency appliance to continue to provide comfort to your home periodic maintenance must be performed to ensure it is operating at peak efficiency. The items in the list should be checked by a licensed gas service technician during the annual service check. Your unit may require more frequent maintenance checks if you notice any changes in how it operates. Operational changes to look for can include, but are not limited to, extended start up time, increased fan noise, residue/carbon build up, white build up on the glass/firebox, increased operating noise etc. Should any of these or other conditions arise, discontinue use and schedule a service check with your local licensed gas technician. The list below shows items your licensed service technician will need to check and service at least annually.

Clean

- Glass
- Interior bricks / panels
- Burner ports & burner air shutter
- Fan blades
- Log set
- Pilot orifices
- Pilot hood (change as needed)
- Flame sensor (electronic ignition models)
- Flame electrode
- Burner orifice
- Thermocouple (millivolt models)
- Thermopile (millivolt models)

Inspect

- Pilot assembly
- Burner
- Pressure relief gaskets/doors
- Flue connector gasket if present
- Door seal
- Firebox
- Venting
- Batteries (remote handheld, remote receiver, DC sparker, change as needed)
- Burner media (change as needed)
- Air shutter setting
- Wiring

Check

- Voltage on thermocouple/thermopile (millivolt models)
- Ohms reading on flame sense (electronic ignition models)
- Inlet/outlet fuel pressures as per rating plate
- Voltage/ohms readings on gas valve
- Ohms reading to on/off switch circuit (Millivolt models)

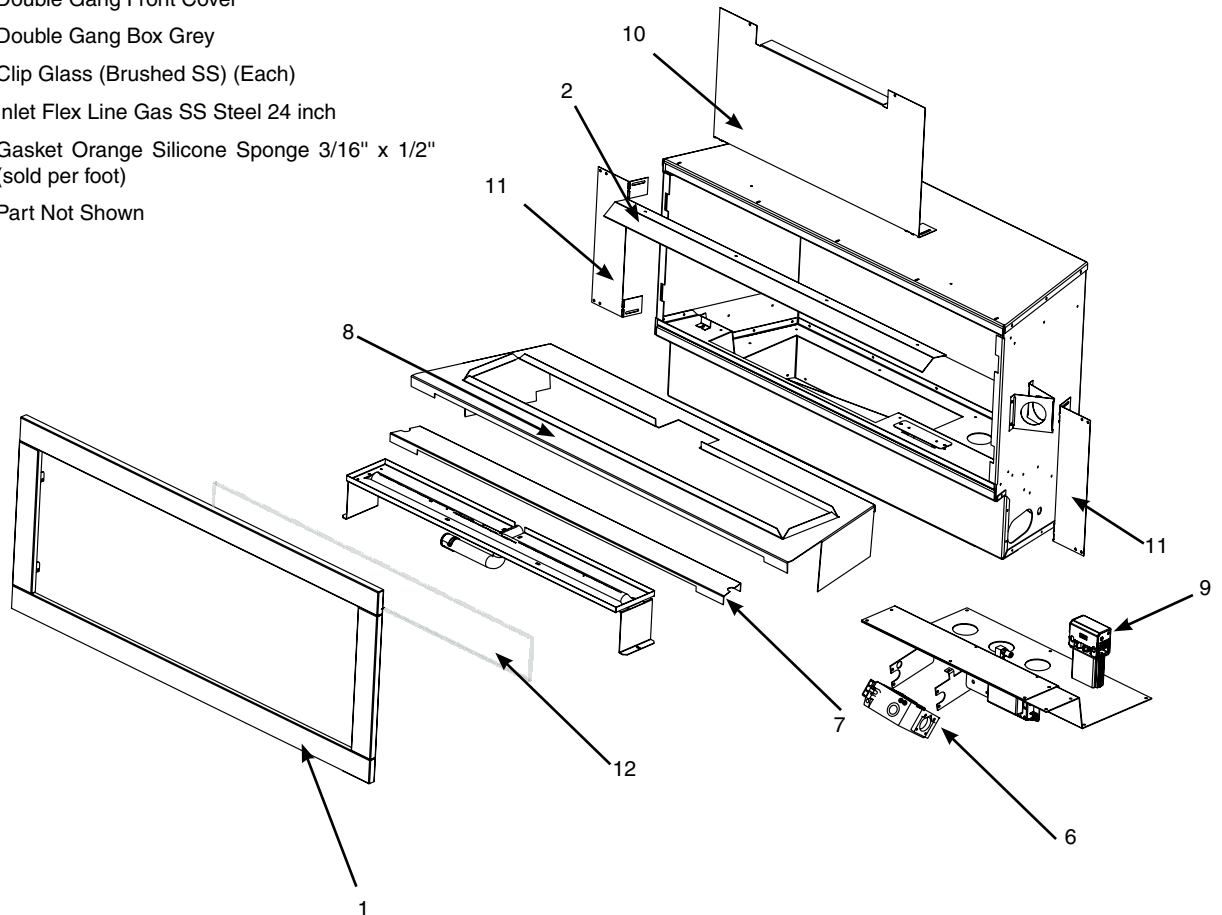
Gas Leak Tests

- Check main gas line connection to valve
- Check shut off valve connections
- Check connection at gas valve outlet
- Check connection at main burner orifice
- Check pilot fuel line at valve and at pilot assembly

MAIN ASSEMBLY

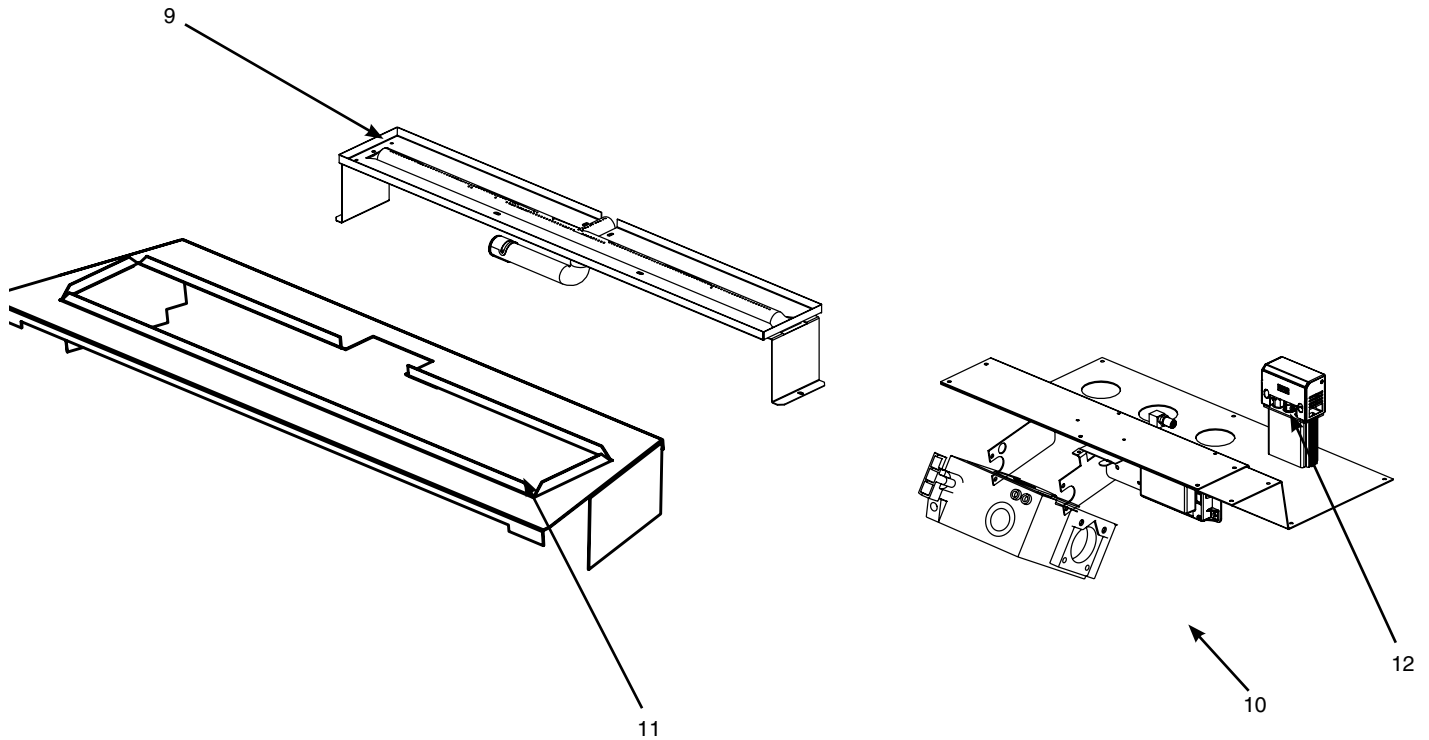
Part #	Description
1	326-552 2" Faceplate assembly
2	326-009 Heat Deflector
5	904-777 Orifice # 29 (NG) 904-434 Orifice # 47 (LP)
6	911-024 Valve NG 880 SIT IPI On/Off 0.880.001 911-025 Valve LP 880 SIT IPI On/Off 0.880.002
7	326-007/P Front access panel
8	326-048 Burner Tray Cover
9	326-054 Perforated Pilot Hood
*	911-013 Valve Wiring Harness
*	911-019 Wiring from Burner To On/Off Switch
*	911-018 Holder Battery W/9V Snap 4 Cell Stack AA
*	911-086 Wire 9 Volt Battery Extension
*	911-087 Double Gang Front Cover
*	911-088 Double Gang Box Grey
*	326-038 Clip Glass (Brushed SS) (Each)
*	904-658 Inlet Flex Line Gas SS Steel 24 inch
*	260350 Gasket Orange Silicone Sponge 3/16" x 1/2" (sold per foot)
*	Part Not Shown

Part #	Description
10	326-036 Top nailing strip
11	326-037/F Side nailing strip
12	940-368/P Glass Windshield
*	911-012 (DFC) Digital Fireplace Control
	910-363 Wall Switch
	918-882 Manual
*	Part Not Shown



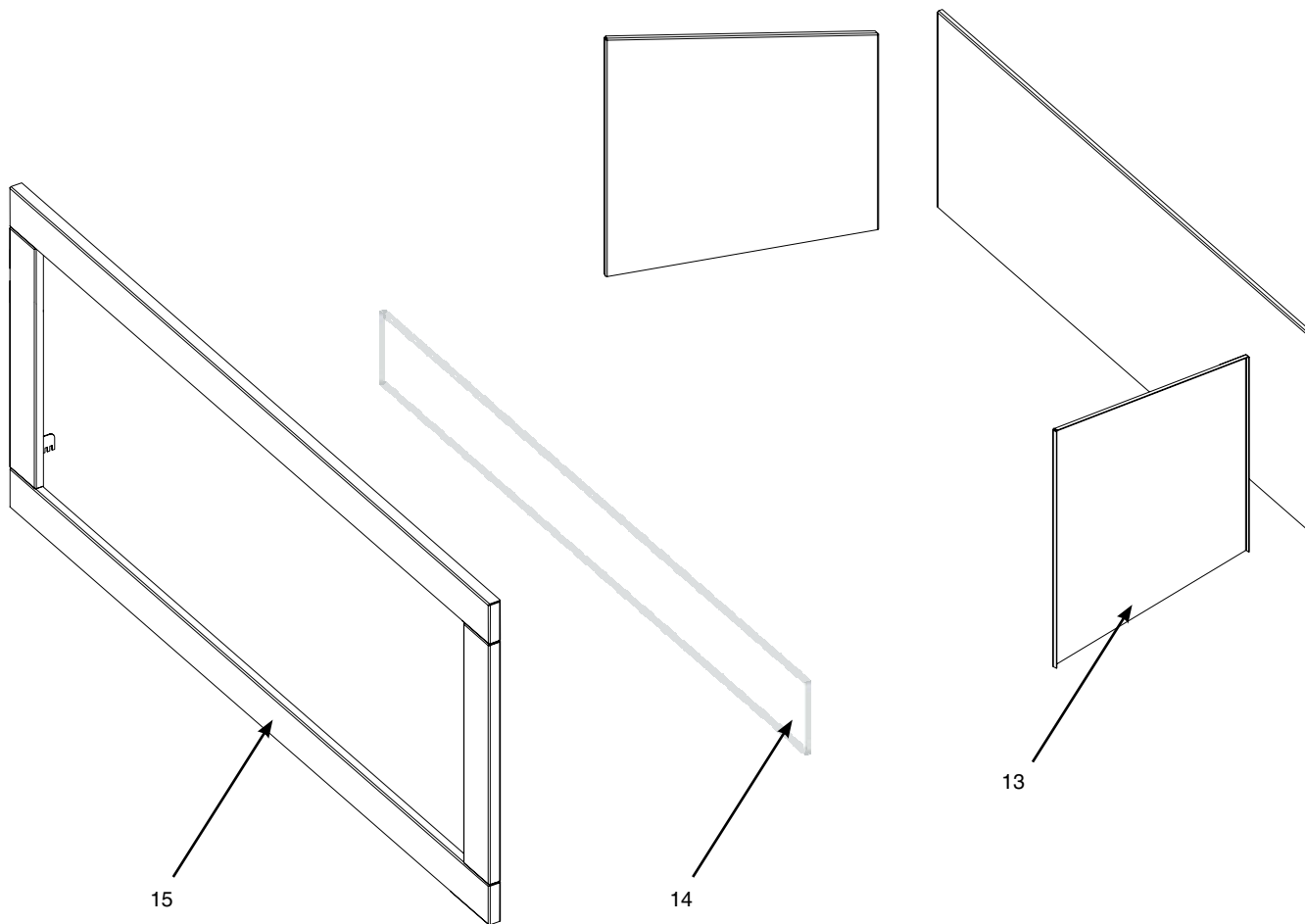
BURNER ASSEMBLY

Part #	Description	Part #	Description
9) 326-525	Burner Assembly NG	904-777	Orifice #29 NG
326-525	Burner Assembly LP	904-434	Orifice #47 LP
10) 326-574/P	Valve Assembly - NG	326-930	Log Set
10) 326-576/P	Valve Assembly - LP		
N/S 910-100	Pilot Orifice - NG		
N/S 910-101	Pilot Orifice - LP		
N/S 911-039	2 Way Pilot Hood		
N/S 911-137	Pilot Hood Clip		
11) 326-048	Burner Tray Cover		
12) 911-006	Pilot Assembly - NG		
911-007	Pilot Assembly - LP		
911-037	Flame Sensor		
911-038	Ignitor		



ACCESSORIES

Part #	Description
13) 326-021	Panel Rear (Brushed Stainless)
326-022	Panel Left (Brushed Stainless)
326-023	Panel Right (Brushed Stainless)
14) 940-368/P	Glass windshield
15) 326-552	Faceplate Brushed Stainless
946-676	Copper Glass Crystals
946-695	Garden Stones
* 326-034	Clip Inner Panel HZO42 (Brushed SS) (Each)
* 326-066	Trim Filler (Brushed SS)
* 948-223	Logo Plate Plastic Regency/Flame Silver



Limited Warranty

FPI Fireplace Products International Ltd. (for Canadian customers) and Fireplace Products U.S., Inc. (for U.S. customers) (collectively referred to herein as “FPI”) extends this Limited Warranty to the original purchaser of this appliance provided the product remains in the original place of installation. The items covered by this limited warranty and the period of such coverage is set forth in the table below.

Some conditions apply (see below).

The policy is not transferable, amendable or negotiable under any circumstances.

Outdoor Gas Products	Component Coverage		Labor Coverage
	2 years	1 year	1 year
Burner tube assembly Valve assembly Pilot assembly Flame sensor/Spark electrode	✓		✓
Ignition Control Boards	✓		✓
Wiring/Switches/Battery Pack/Batteries	✓		✓
Pilot Tube/Burner and Pilot Orifices	✓		✓
All hardware including wheels and rubber feet	✓		✓
Weather covers	✓		✓
Thermocouple		✓	✓
Electrical components		✓	✓
Tempered Glass		✓	✓
All media		✓	✓
Stainless components/ Paint/Gaskets/ All finishes/Plated Corners			

Conditions:

Warranty protects against defect in manufacture or FPI factory assembled components only, unless herein specified otherwise.

Any part(s) found to be defective during the warranty period as outlined above will be repaired or replaced at FPI’s option through an accredited distributor, dealer or pre-approved and assigned agent provided that the defective part is returned to the distributor, dealer or agent for inspection if requested by FPI. Alternatively, FPI may at its own discretion fully discharge all of its obligations under the warranty by refunding the verified purchase price of the product to the original purchaser. The purchase price must be confirmed by the original Bill of Sale.

The authorized selling dealer, or an alternative authorized FPI dealer if pre-approved by FPI, is responsible for all in-field diagnosis and service work related to all warranty claims. FPI is not responsible for results or costs of workmanship of unauthorized FPI dealers or agents in the negligence of their service work.

At all times FPI reserves the right to inspect reported complaints on location in the field claimed to be defective prior to processing or authorizing of any claim. Failure to allow this upon request will void the warranty.

All warranty claims must be submitted by the dealer servicing the claim, including a copy of the Bill of Sale (proof of purchase by you). All claims must be complete and provide full details as requested by FPI to receive consideration for evaluation. Incomplete claims may be rejected.

Replacement units are limited to one per warranty term.

Unit must be installed according to all manufacturers' instructions as per the manual.

All Local and National required codes must be met.

The installer is responsible to ensure the unit is operating as designed at the time of installation.

The original purchaser is responsible for annual maintenance of the unit, as outlined in the owner's manual. As outlined below, the warranty may be voided due to problems caused by lack of maintenance.

Repair/replacement parts purchased by the consumer from FPI after the original coverage has expired on the unit will carry a 90 day warranty, valid with a receipt only. Any item shown to be defective will be repaired or replaced at our discretion. No labor coverage is included with these parts

Exclusions:

This Limited Warranty does not extend to paint, rust or corrosion of any kind due to a lack of maintenance or improper venting, combustion air provision, corrosive chemicals (i.e. chlorine, salt, air, etc.), door or glass gasketing, or any other additional factory fitted gasketing.

Malfunction, damage or performance based issues as a result of environmental conditions, location, chemical damages, downdrafts, installation error, installation by an unqualified installer, incorrect chimney components (including but not limited to cap size or type), operator error, abuse, misuse, use of improper fuels, lack of regular maintenance and upkeep, acts of God, weather related problems from hurricanes, tornados, earthquakes, floods, lightning strikes/bolts or acts of terrorism or war, which result in malfunction of the appliance are not covered under the terms of this Limited Warranty.

FPI has no obligation to enhance or modify any unit once manufactured (i.e. as products evolve, field modifications or upgrades will not be performed on existing appliances).

This warranty does not cover dealer travel costs for diagnostic or service work. All labor rates paid to authorized dealers are subsidized, pre-determined rates. Dealers may charge homeowner for travel and additional time beyond their subsidy.

Any unit showing signs of neglect or misuse will not be covered under the terms of this warranty policy and may void this warranty. This includes units with rusted or corroded fireboxes which have not been reported as rusted or corroded within three (3) months of installation/purchase.

Units which show evidence of being operated while damaged, or with problems known to the purchaser and causing further damages will void this warranty.

Units where the serial no. has been altered, deleted, removed or made illegible will void this warranty.

Minor movement, expansion and contraction of the steel is normal and is not covered under the terms of this warranty.

FPI is not liable for the removal or replacement of facings or finishing in order to repair or replace any appliance in the field.

Freight damages for products or parts are not covered under the terms of the warranty.

Products made or provided by other manufacturers and used in conjunction with the FPI appliance without prior authorization from FPI may void this warranty.

Limitations of Liability:

The original purchaser’s exclusive remedy under this warranty, and FPI’s sole obligation under this warranty, express or implied, in contract or in tort, shall be limited to replacement, repair, or refund, as outlined above. IN NO EVENT WILL FPI BE LIABLE UNDER THIS WARRANTY FOR ANY INCIDENTAL OR CONSEQUENTIAL COMMERCIAL DAMAGES OR DAMAGES TO PROPERTY. TO THE EXTENT PERMITTED BY APPLICABLE LAW, FPI MAKES NO EXPRESS WARRANTIES OTHER THAN THE WARRANTY SPECIFIED HEREIN. THE DURATION OF ANY IMPLIED WARRANTY IS LIMITED TO DURATION OF THE EXPRESSED WARRANTY SPECIFIED ABOVE. IF IMPLIED WARRANTIES CANNOT BE DISCLAIMED, THEN SUCH WARRANTIES ARE LIMITED IN DURATION TO THE DURATION OF THIS WARRANTY.

Some U.S. states do not allow limitations on how long an implied warranty lasts, or allow exclusion or limitation of incidental or consequential damages, so the above limitations or exclusions may not apply to you.

Customers located outside the U.S. should consult their local, provincial or national legal codes for additional terms which may be applicable to this warranty.

How to Obtain Warranty Service:

Customers should contact the authorized selling dealer to obtain warranty service. In the event the authorized selling dealer is unable to provide warranty service, please contact FPI by mail at the address listed below. Please include a brief description of the problem and your address, email and telephone contact information. A representative will contact you to make arrangements for an inspection and/or warranty service.

Canadian Warrantor:

FPI Fireplace Products International Ltd.
6988 Venture St.
Delta, British Columbia
Canada, V4G 1H4

U.S. Warrantor:

Fireplace Products U.S., Inc.
PO Box 2189 PMB 125
Blaine, WA
United States, 98231

Or contact the Regency Customer Care Centre at 1-800-442-7432 (phone)/604-946-4349 (fax)

Product Registration and Customer Support:

Thank you for choosing a Regency Fireplace. Regency strives to be a world leader in the design, manufacture, and marketing of hearth products. To provide the best support for your product, we request that you complete a product registration form at <http://www.regency-fire.com/Customer-Care/Warranty-Registration.aspx> within ninety (90) days of purchase.



Product Registration and Customer Support:

Thank you for choosing a Regency Fireplace. Regency strives to be a world leader in the design, manufacture, and marketing of hearth products. To provide the best support for your product, we request that you complete a product registration form found on our Web Site under Customer Care within ninety (90) days of purchase.

For purchases made in **CANADA or the UNITED STATES:**

<http://www.regency-fire.com/Customer-Care/Warranty-Registration.aspx>

For purchases made in **AUSTRALIA:**

<http://www.regency-fire.com.au/Customer-Care/Warranty-Registration.aspx>

You may also complete the warranty registration form below to register your Regency Fireplace Product and mail and/or fax it back to us, and we will register the warranty for you. It is important you provide us with all the information below in order for us to serve you better.

Warranty Registration Form (or Register online immediately at the above Web Site):

Warranty Details	
Serial Number (required):	
Purchase Date (required) (mm/dd/yyyy):	
Product Details	
Product Model (required):	
Dealer Details	
Dealer Name (required):	
Dealer Address:	
Dealer Phone #:	
Installer:	
Date Installed (mm/dd/yyyy):	
Your Contact Details (required)	
Name:	
Address:	
Phone:	
Email:	

For purchases made in **CANADA:**

FPI Fireplace Products International Ltd.
6988 Venture St.
Delta, British Columbia
Canada, V4G 1H4

Phone: 604-946-5155
Fax: 1-866-393-2806

For purchases made in the **UNITED STATES:**

Fireplace Products US, Inc.
PO Box 2189 PMB 125
Blaine, WA
United States, 98231

Phone: 604-946-5155
Fax: 1-866-393-2806

For purchases made in **AUSTRALIA:**

Fireplace Products Australia Pty Ltd
1- 3 Conquest Way
Hallam, VIC
Australia, 3803

Phone: +61 3 9799 7277
Fax: +61 3 9799 7822

For fireplace care and tips and answers to most common questions please visit our Customer Care section on our Web Site. Please feel free to contact your selling dealer if you have any questions about your Regency product.

Installer: Please complete the following information

Dealer Name & Address: _____

Installer: _____

Phone #: _____

Date Installed: _____

Serial #: _____



Horizon HZO42 Product Video