

Owners & Installation



I43-1 Gas Inbuilt

Models: I43-NG1
I43-LPG1

Manual



PLEASE KEEP THESE INSTRUCTIONS FOR FUTURE REFERENCE

LISTINGS AND CODE APPROVALS

These gas appliances have been tested in accordance with AS4553-2000, NZS 5262 and have been certified by the Australian Gas Association for installation and operation as described in these Installation and Operating Instructions.

Your unit should be serviced annually by an authorised service person.

WARNING:

Improper installation, adjustment, alteration, service or maintenance can cause injury or property damage. Refer to this manual. For assistance or additional information consult an authorised installer, service agency or the gas supplier.

FOR YOUR SAFETY

Do not store or use gasoline or other flammable vapours and liquids in the vicinity of this or any other appliance.

Installation and service must be performed by an authorised installer, service agency or the gas supplier.

FOR YOUR SAFETY

What to do if you smell gas:

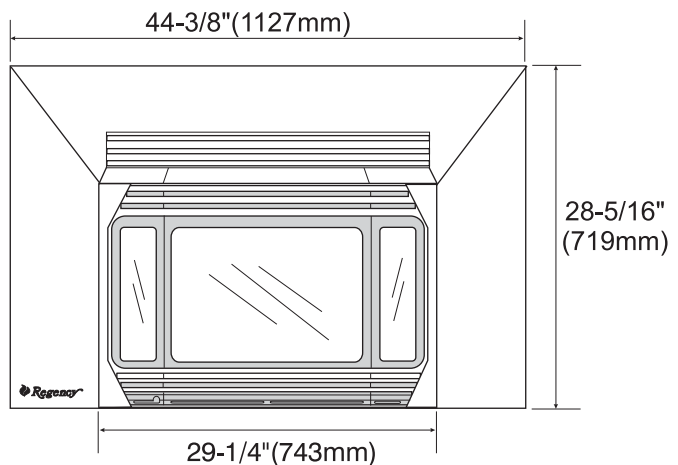
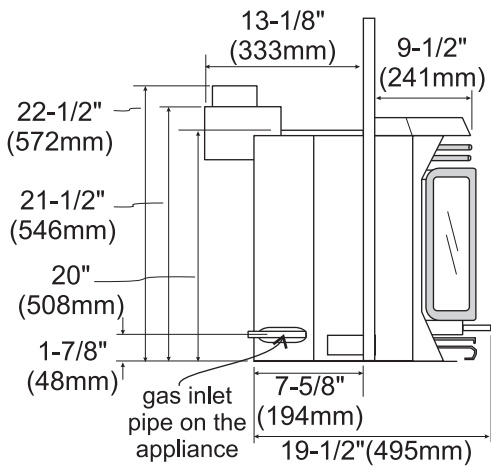
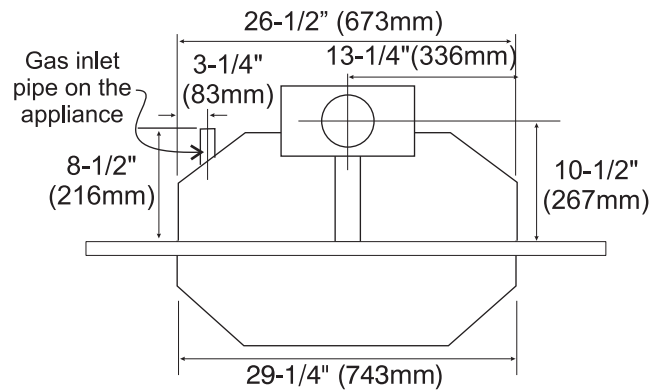
- Do not try to light any appliance
- Do not touch any electrical switch: do not use any phone in your building.
- Immediately call your gas supplier from a neighbour's phone. Follow the gas supplier's instructions.
- If you cannot reach your gas supplier, call the fire

REGENCY GAS INBUILT FIREPLACE

TO THE NEW OWNER

Congratulations!

You are the owner of a state-of-the-art Gas Inbuilt Fireplace by FPI FIREPLACE PRODUCTS INTERNATIONAL LTD. The Regency ULTIMATE Gas Fireplace Series of hand crafted appliances has been designed to provide you with all the warmth and charm of a fireplace, at the flick of a switch. The models I43-NG1 and I43-LPG1 of this series have been approved by Warnock Hersey for both safety and efficiency. As it also bears our own mark, it promises to provide you with economy, comfort, and security for many trouble free years to follow. Please take a moment now to acquaint yourself with these instructions and the many features of your



Note: Oversize faceplate 1124mm x 791mm
Extra Oversize Faceplate 1276mm x 892mm

TABLE OF CONTENTS

SAFETY LABEL		Door Installation & Door Latches.....14
Safety Labels..... 4		Optional Wall Thermostat Installation.....14
		Optional Remote Control Installation.....15
		Final Check.....15
		Wiring Diagram..... 15
INSTALLATION REQUIREMENTS		OPERATING INSTRUCTIONS
For your safety..... 5		Operating Instructions16
Gas Pipe Testing 5		Lighting Procedure16
Specifications 5		Shutdown Procedure.....16
Before You Start 5		Copy of Lighting Plate Instructions.....17
Installation Checklist..... 6		First Fire18
Materials Required 6		Automatic Convection Fan Operation.....18
Clearances		Normal Operating Sounds of
-Minimum Fireplace Clearances..... 6		Gas Appliances.....18
-Clearances to Combustibles 7		
-Clearances to Combustible Mantels.....7		
		MAINTENANCE
INSTALLATION INSTRUCTIONS		Maintenance.....19
System Data Table8		Log Replacement20
Gas Connection..... 8		Gold Plated Doors20
Draft Diverter Connection 9		Door Gasket and Glass Gasket.....20
Flueing..... 9		Latch Adjustment.....20
Combustion & Ventilation Air 10		Glass Replacement20
Gas Pressure Test.....10		Fan Maintenance.....21
Aeration System10		Troubleshooting Guide22
Test For Flue Spillage.....11		Parts List.....23
Faceplate & Trim Installation12		
Brick Panels13		WARRANTY
Log Installation13		Warranty.....27




DATA BADGE


DATA BADGE NOTE: Regency units are constantly being improved. Check the label on the unit and if there is a difference, the label on the unit is the correct one.

This is a copy of the label that accompanies each Regency ULTIMATE Gas Inbuilt Fireplace. We have printed a copy of the contents here for your review. The safety label is located on the right side door panel.

Regency Gas Fireplace

Model	<input type="radio"/>	<input type="radio"/>	<input type="radio"/>	<input type="radio"/>	Distributed by: Western Australia: Air Group Australia 28 Division St Welshpool WA 6106
Gas Type	NG	LPG	NG	LPG	
Model	I43-NG	I43-LPG	F33-NG	F33-LPG	Eastern Australia: Fireplace Products Australia Pty. Ltd. 21-23 South Link Blvd. Dandenong, VIC 3175
Gas Consumption	40mj.	39mj.	33mj.	33mj.	
Manifold Pressure	.85kPa	2.55kPa	.80kPa	2.38kPa	To be installed by an authorised person in accordance with installation instructions provided with the appliance.
Injector Size	1x#31 3.0mm	1x#56 1.15mm	1x#36 2.7mm	1x#52 1.6mm	
AGA 5810G / 5613G AS4553					
Electrical: 240VAC 50Hz 1.0 amp max.		 N2134		Serial Number 227	

918-092e



DO NOT OPERATE THIS APPLIANCE BEFORE READING THE INSTRUCTIONS BOOKLET.

DO NOT PLACE ARTICLES ON OR AGAINST THIS APPLIANCE

DO NOT STORE CHEMICALS OR FLAMMABLE MATERIALS NEAR THIS APPLIANCE.

DO NOT SPRAY AEROSOLS IN THE VICINITY OF THIS APPLIANCE WHILE IN OPERATION.

DO NOT OPERATE WITH PANELS, COVERS OR GUARDS REMOVED FROM THIS APPLIANCE.

DO NOT ENCLOSE THIS APPLIANCE.

DO NOT DO NOT MODIFY THIS APPLIANCE.

908-602a

THE GUARD IS FITTED TO THIS APPLIANCE TO REDUCE THE RISK OR FIRE OR INJURY FROM BURNS AND NO PART OF IT SHOULD BE PERMANENTLY REMOVED.

FOR PROTECTION OF YOUNG CHILDREN OR THE INFIRM, A SECONDARY GUARD IS REQUIRED.

(Australia Only)

INSTALLATION REQUIREMENTS

IMPORTANT: SAVE THESE INSTRUCTIONS

The Regency I43-1 Gas Fireplace must be installed in accordance with these instructions. Carefully read all the instructions in this manual first. Consult the "authority having jurisdiction" to determine the need for a permit prior to starting the installation.

Note: Failure to follow these instructions could cause a malfunction of the heater which could result in death, serious bodily injury, and/or property damage. Failure to follow these instructions may also void your fire insurance and/or warranty.

FOR YOUR SAFETY

This appliance requires air for proper combustion. Always provide adequate combustion and ventilation air. Follow instructions and information in the current AS5601-2004 or local codes.

GAS PIPE TESTING

The appliance must be isolated from the gas supply piping system by closing its individual manual shutoff valve during any pressure testing of the gas supply piping system at test pressures equal to or less than 1/2 psig. (3.45 kPa).

SPECIFICATIONS

Fuel:	NG or LPG
Electrical:	240 volt. system
Fan:	2 speed, 75/125 CFM
Log Sets:	Ceramic fibre, 3 per set

BEFORE YOU START

Installation is to be carried out ONLY by an authorised person.

- 1) The appliance shall be installed in accordance with the manufacturer's installation instructions, local gas fitting regulations, municipal building codes, water supply regulations, electrical wiring regulations, with AS5601-2004 (AGA gas installation code) NZS 5261 (New Zealand)
- 2) **Installation and repair should be done ONLY by an authorised person.**
- 3) The appliance should be inspected before use and at least annually by an authorised service person. More frequent cleaning may be required due to excessive lint from carpeting, bedding material, etc. It is imperative that control compartments, burners and circulating air passageways of the appliance be kept clean and free from excessive lint from carpeting.
- 4) See general construction and assembly instructions. This appliance may only be installed in a flued noncombustible fireplace. The appliance and flue should be enclosed when installed or passing through a living area, where children may come in contact with it.
- 5) Always connect this fireplace to a flue to the outside of the building envelope. Never flue to another room. Make sure that the flue is properly sized and is of adequate height to provide the proper draft.
- 6) Inspect the flue system annually for blockage and any signs of deterioration.
- 7) Any safety glass removed for servicing must be replaced prior to operating the appliance.
- 8) To prevent injury, do not allow anyone who is unfamiliar with the operation to use the fireplace.
- 9) Installer must mechanically attach the supplied label to the inside of the firebox of the fireplace into which the gas fireplace insert is installed.

WARNING: This fireplace has been converted for use with a gas fireplace insert only and cannot be used for burning wood or solid fuels unless all original parts have been replaced, and the fireplace re-approved by the authority having jurisdiction."

INSTALLATION REQUIREMENTS

INSTALLATION CHECKLIST

The Regency Gas Inbuilt is installed as listed below.

- 1) Unit Location - check Clearances to Combustibles on page 7.
- 2) Make the gas connections and electrical connection for fan and flue spill switch. See page 8.
- 3) Install the flue or liner to the sliding draft diverter. See page 9.
- 4) Install Flueing, page 9. Slide the unit into the fireplace and level. Attach draft diverter to the inbuilt.
- 5) Test gas pressure, page 10. Check aeration, page 10.
- 6) Test for flue spillage, page 11.
- 7) Assemble and install the faceplate and trim. See page 12.
- 8) Install the optional brick panels. See page 13.
- 9) Install the 3 logs and embers. See page 13.
- 10) Install Doors. See page 14.
- 11) Install Optional Remote Control and Optional Wall Thermostat, pages 14 and 15.
- 12) Explain controls to the homeowner.
- 13) **Final check:** Before leaving this unit with the customer, the installer must ensure that the appliance is firing correctly. This includes:
 - a) Clocking the appliance to ensure the correct firing rate.
 - b) Adjusting the primary air, if required, to ensure that the flame does not carbon. See page 10.
 - c) Ensuring that the appliance is flueing correctly. See page 11.

MATERIALS REQUIRED

No electrical power supply is required for the gas control to operate. A 240 Volt AC power cord is hooked up to the fan switch and fan. Plug 3 wire cord into a suitable receptacle. **Do not cut the ground terminal off under any circumstances.**

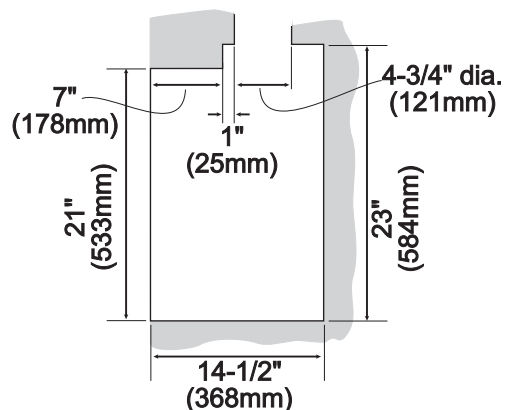
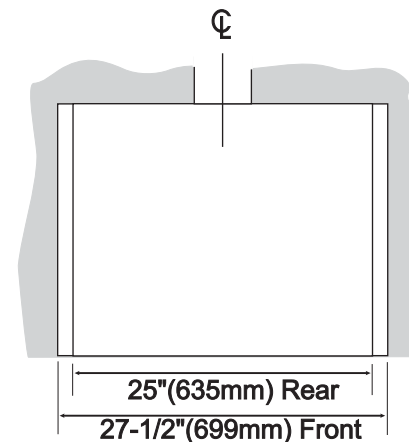
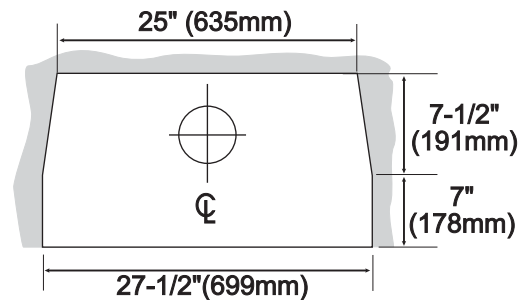
When connected with 240 volts, the appliance must be electrically grounded in accordance with local codes, or in the absence of local codes with the current version of National Code AS 3100.

Note: This unit is equipped with a heat sensor thermodisc which will prevent the fan from operating until the unit reaches the correct temperature.

CLEARANCES

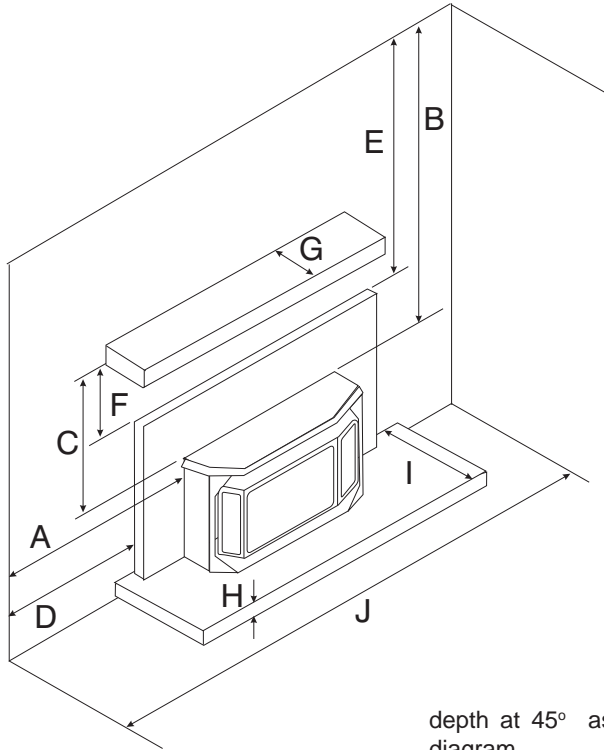
Minimum Fireplace Clearances

The minimum fireplace clearances for the Regency gas inbuilt fireplace are shown in the following diagrams:



INSTALLATION REQUIREMENTS

Clearances to Combustibles



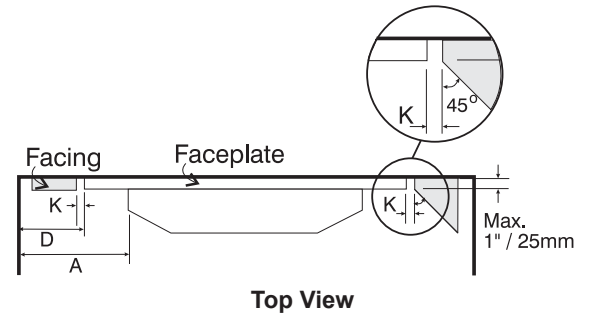
	From Unit
Sides	A 7.5" / 190 mm
Ceiling	B 35" / 890 mm
Mantel	C(My) 11" / 280 mm

	From Surround
Sides	D 2" / 50 mm
Ceiling	E 25.5" / 650 mm
Mantel	F 3" / 75 mm

Min. Alcove Width	J 48" / 1120 mm
Mantel Depth	G(Mx) 7.5" / 190 mm

Facing (Mantel Leg)	
Side*	K 1" / 25 mm
Top	L 1" / 25 mm

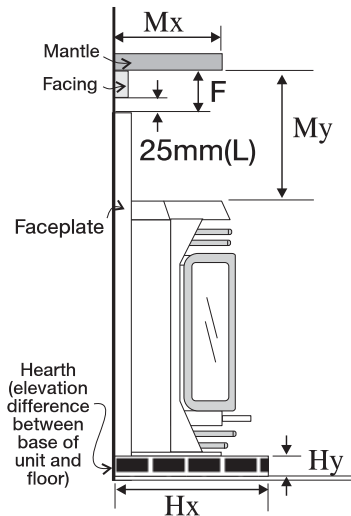
*Max. width of 25mm at 25mm from surround, calculate



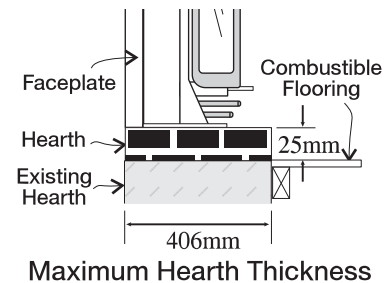
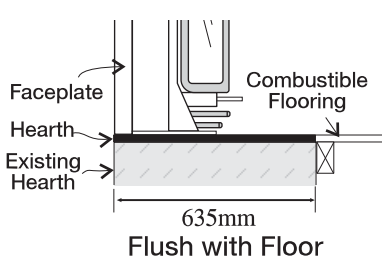
depth at 45° as shown in the diagram.

Mantle Clearances (mm)									
Width (Mx)	140	152	165	178	190	203	216	229	241
Clearance (My)	279	289	298	311	317	321	324	327	330

Non-combustible Hearth Extension (mm)										
Height (Hy)	0	16	32	48	60	70	79	89	95	101
Depth (Hx)	635	610	584	559	533	508	483	457	432	406



Note: A non-combustible mantel may be installed at a lower height if the framing is made of metal studs covered with a non-combustible board.



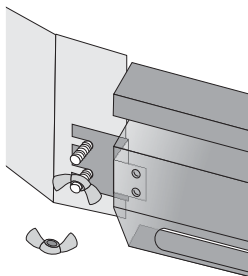
INSTALLATION

System Data For 0 to 610 metres altitude*			
Burner Inlet Orifice Sizes:			
	NG	LPG	
Rear Burner	n/a	#54(1.4mm)	
Front Burner	#31(3.0mm)	#56(1.15mm)	
Input Rating			
-	NG	40 mj	
-	LPG	39 mj	
Supply Pressure:			
NG	min.	1.13 kPa	
LPG	min.	2.75 kPa	
Manifold Pressure			
NG		.85 kPa	
LPG		2.55 kPa	

be brought near this inlet hole.

- 3) Locate the center point where the flue will pass through the chimney above the appliance. Move the appliance into the exact location where it is to be installed. Ensure that the Inbuilt is level.
- 4) The gas control valve is provided with two "IN" and "OUT" pressure taps, and are easily accessible for a test gauge connection (see diagram on page 10).
- 5) Once the gas has been connected ensure that the pilot valve is in line with burner.

CAUTION: If the door is removed or opened for servicing, it must be replaced and closed prior to operating the appli-



ible connector and manual shut-off valve if allowed by local building codes. A 1/2" gas supply pipe must

- 2) The gas connection is a 1/2" BSP male pipe on the rear left side of the unit. The gas line can be rigid pipe or to make installation easier use a listed flex-

GAS CONNECTION

For minimum and maximum supply pressure see the System Data table on page 8.

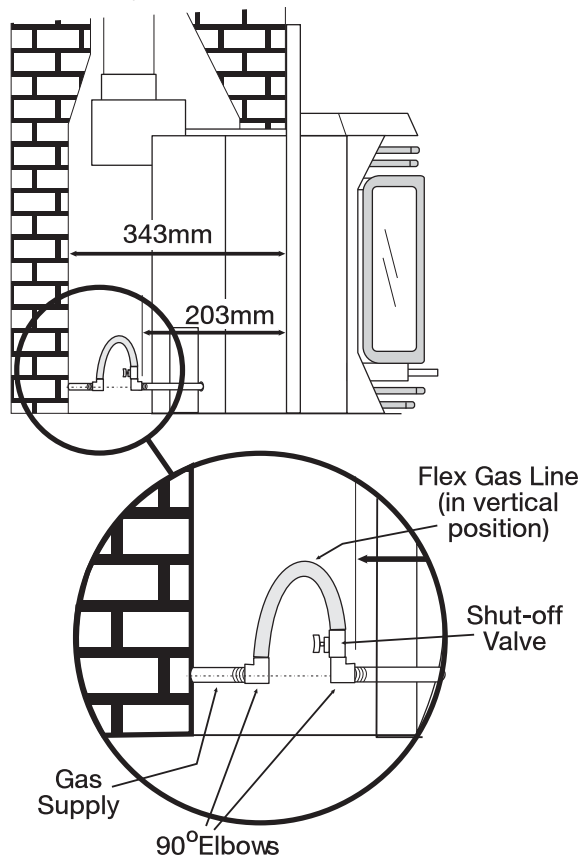
Note: Prior to any pressure testing of the gas supply piping system that exceeds test pressures of 1/2 psig (3.45 kPa), this appliance and its individual shut-off valve must be disconnected from the piping system. If test pressures equal to or less than 1/2 psig (3.45 kPa) are used then this appliance must be isolated from the piping system by closing its individual manual shut-off valve during the testing.

Valve Access: Loosen and remove the wingnuts on the both sides of the bottom louvre and then remove the louvre.

GAS CONNECTION WARNING:

Only persons licensed to work with gas piping may make the necessary gas connections to this appliance.

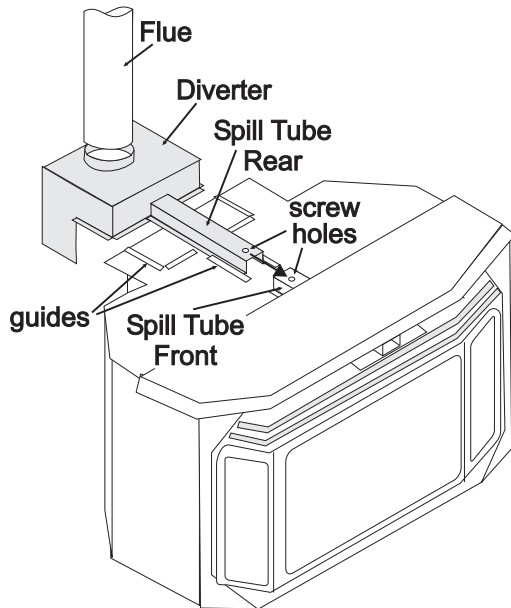
- 1) If the appliance is to be installed into an existing chimney system, thoroughly clean the masonry fireplace and have the chimney swept.



ance. The glass must be fixed in the door when operating.

DRAFT DIVERTER CONNECTION

- 1) Attach the flue to the flue collar on the detachable draft diverter. The flue collar of the appliance will fit inside a standard 100mm flue and may be fastened directly to the flue by sheet metal screw.



- 2) Before pushing the appliance into position inside the fireplace, align the draft diverter with the guides on the inbuilt top and push forward. While pushing the unit back into place keep pulling the draft diverter forward until the screw hole in the spill tube-rear aligns with the screw hole in the spill tube-front. (If screw holes do not line up then draft diverter is not positioned correctly.) Secure the two spill tubes with a screw.

Note: *Final gas connection should be after unit is in place to avoid damage to line when pushing the unit into position.*

FLUEING

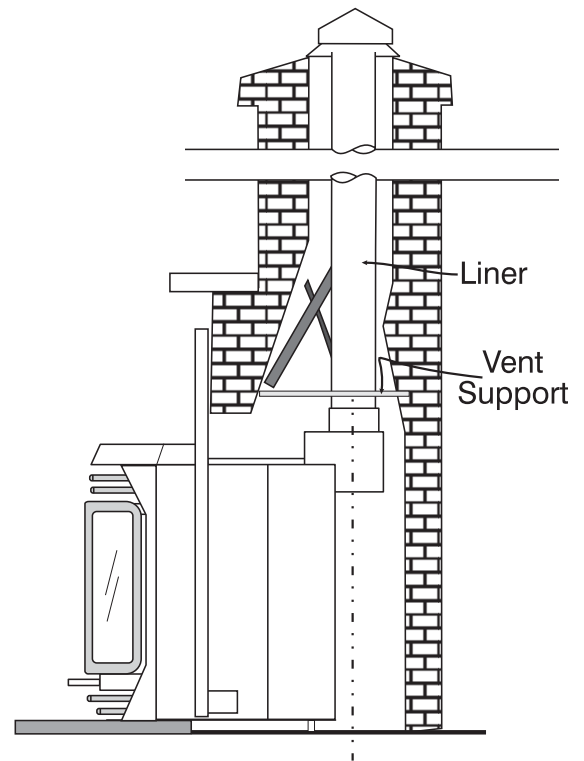
THE APPLIANCE MUST NOT BE CONNECTED TO A CHIMNEY FLUE SERVING A SEPARATE SOLID FUEL BURNING APPLIANCE.

This appliance is designed to attach to a 100mm diameter flue or approved aluminum flex liner running the full length of the chimney. A minimum flue height of 3.6 m is recommended. B-Vent must be supported by a flue support - supplied by flue manufacturer. There must be at least 0.9 m of chimney above the roof level.

Stack the pipe onto your finish support to a minimum height of 0.9m above the roof penetration, or 0.6m above any point within 3m measured horizontally. B-Vent chimneys require a 25mm clearance to combustibles.

The Regency Inbuilt incorporates its own internal draft diverter, so no additional external draft diverter is required. Periodically check that the flue is unrestricted and an adequate draft is present when the unit is in operation. (See page 11 for spill-age test.)

Before installing flue system ensure that the damper plate is locked into the open position and secure to prevent the damper plate from falling down and crushing the liner.



INSTALLATION

be sufficient for most installations.

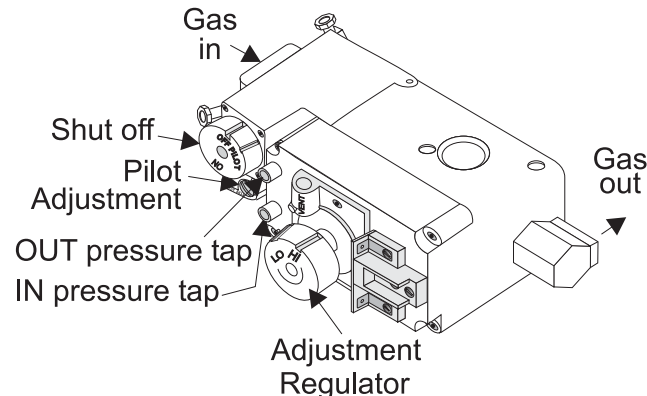
Note: Any damage due to carboning resulting from improperly setting the aeration controls is NOT covered under warranty.

TEST FOR FLUE SPILLAGE

A "spillage" test must be made before the installed unit is left with the customer. Follow the procedure below:

- 1) Start all exhaust fans in the home and then close all doors and windows in the room.
- 2) Light the unit and set controls to maximum. Turn fan off.
- 3) After five minutes, test that there is a "pull" on the flue by placing a smoke match, cigarette or similar device which gives off smoke, in front of the spill tube. To ensure a valid test, place a scrap piece of sheet metal (or other non-combustible material) between the spill tube and the upper louvre, this will prevent the natural convection of the unit from interfering with the test. See diagrams below.

The smoke should be drawn into the spill tube, if it does not, leave the unit for a further five minutes and retest as above. If the smoke is still not drawn into the spill tube, turn the unit off



and check for the cause of the lack of draft. If necessary, rectify.

For wind turbulent sites, a wind cap may remedy the problem.

Note: The thermally activated safety switch will sense the change in temperature and shut down the gas valve in the event of a severe downdraft of air or a blocked or disconnected flue. The switch acts as a safety shut-off to prevent a build up of carbon monoxide. If the flue is blocked or has no "draw", the switch will automatically shut off the supply of gas within 5 - 10 minutes. Tampering with the switch can result in carbon monoxide (CO) poisoning and possible death.

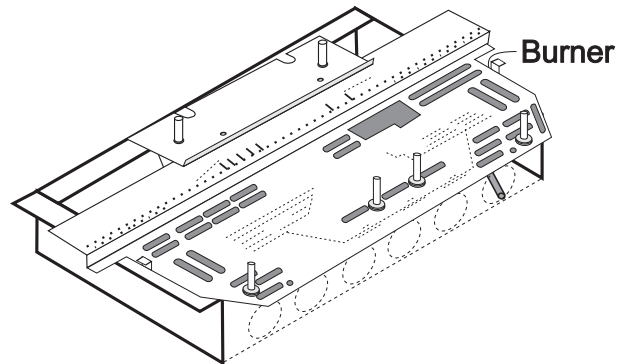
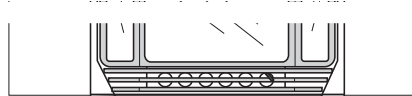
If the heater turns off because of lack of draft during the spillage test, check for the cause and if necessary, rectify.

The thermally actuated safety switch will automatically reset after it has reduced in temperature. The switch will continue to cycle until the draft problem

- 6) When finished reading the manometer, turn off the gas valve, disconnect the hose and tighten the screw (clock-wise) with a 3mm wide screwdriver closing torque: 9 in. lbs.

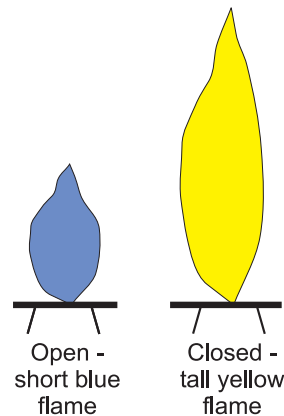
Note: Use the same manner to check the inlet pressure.

AERATION SYSTEM



The burner aeration is factory set but may need adjusting due to either the local gas supply, air supply or altitude.

NG: 13mm (rear) and 9.5mm (front)
LPG: Fully Open (rear) and Fully Open (front)

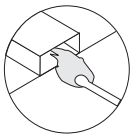


An aeration adjustment rod is attached to the air shutter on each burner. The rod is used to adjust the aeration on the burner without having to take the appliance apart. This adjustment is performed by an authorised installer. The factory setting should

INSTALLATION

Note: To properly check gas pressure, both inlet and manifold pressures should be checked using the valve pressure ports on the valve.

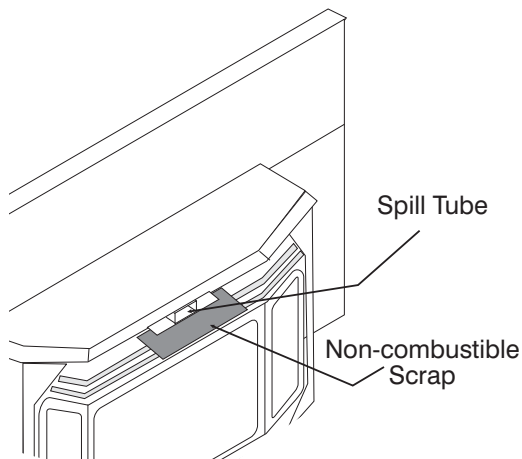
- 1) Make sure the valve is in the off position.
- 2) Loosen the screw at the outlet pressure test point, turn captured screw counterclockwise 2 or 3 turns and then placing tubing to gauge over test point.
- 3) Attach tubing to a manometer using a 8mm I.D. hose.
- 4) Light the pilot and turn the valve to "ON" position.
- 5) The pressure check should be carried out with the unit burning and the setting should be within the limits specified on the safety label.



normal draft



downdraft or blocked flue



COMBUSTION & VENTILATION AIR

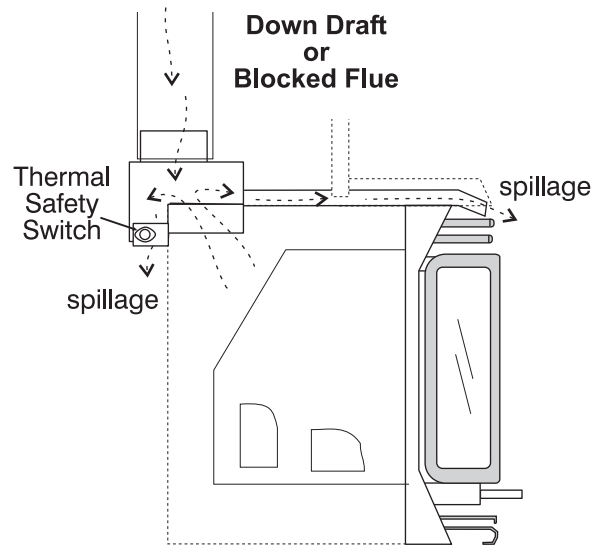
WARNING: This appliance needs fresh air for safe operation and must be installed with provisions for adequate combustion and ventilation air available to the room in which it is to be operating.

This appliance installation must conform with local codes or in the absence of local codes, with AS5601-2004 or NZS 5261.

Air for combustion is drawn in through the front of the unit, therefore, the front of the unit must be kept clear of any obstructions.

GAS PRESSURE TEST

The manifold pressure is controlled by a regulator built into the gas control, and should be checked at the pressure test point.



is corrected. DO NOT BYPASS OR DISCONNECT THIS SWITCH.

INSTALLATION

join the left side gold trim (the one with the ON/OFF switch and FAN switch) to the top gold trim. See diagram 2. Repeat this step for right side.

- 4) Place the trim on the assembled faceplate panels, aligning the wires from the switches with the notch in the left side faceplate panel.
- 5) **FAN switch wires:** Hookup the 3 Fan Switch wires to the fan switch on the left side trim.
- 6) **Burner ON/OFF wires:** Hookup the 2 Burner ON/OFF wires to the Burner switch on the left side trim. Diagram 3.
- 7) The power cord should be run behind the faceplate panel.
- 8) Push the logo plate into the two holes in the bottom left corner of the left side faceplate panel.

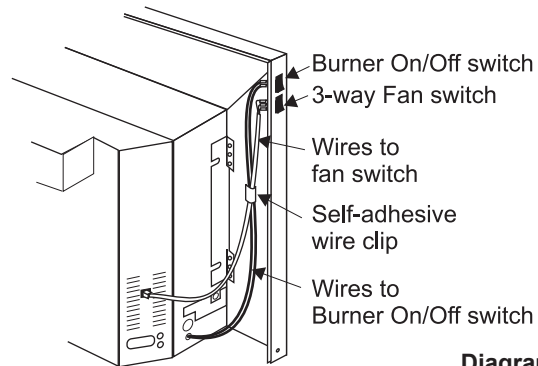


Diagram 3

WARNING: The 3 wires are to the Fan and the 2 wires are to the Burner ON/OFF switch. DO NOT connect to the wrong switch.

FACEPLATE & TRIM INSTALLATION

Hint: Before doing the faceplate installation, leave the inbuilt out approximately 4" so wires may be hooked up easier.

- 1) Lay the faceplate panels flat, face down on something soft so they don't scratch.
- 2) Take the top faceplate and align the holes in it with the holes in the side panels. Attach, using the screws provided. See diagram 1.

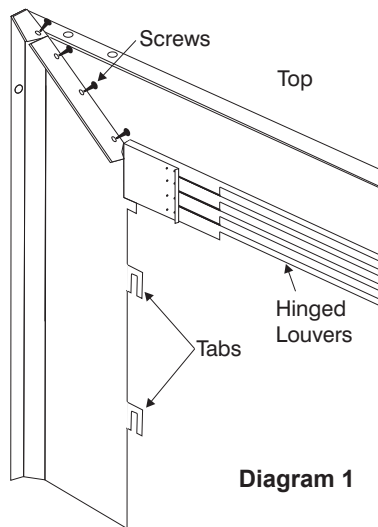


Diagram 1

down completely at this point, first do a trial fit to the unit. Make any necessary adjustments and when it fits properly then tighten down the screws.

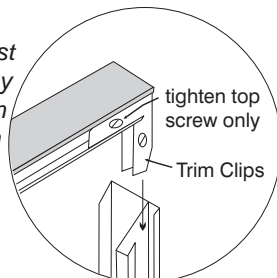
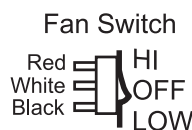


Diagram 2 Rear View

- 3) Using the trim clips provided,

- 9) Secure the gold trim to the faceplate by drilling a 1/8" hole through into the faceplate side flange, using the hole in the trim as a guide. Now fasten with the two brass plated screws provided.



Note: If you are making custom faceplates, you must use the faceplate louvres. Failure to do so will void the certification on your unit. The faceplate louvres can be purchased separately, part #: 610-909.

Note: The holes in the top panel are slightly larger than the holes in the side panel to facilitate easier installation.

Hint: Don't tighten the screws

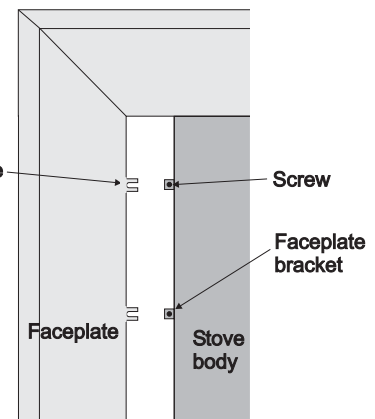


Diagram 4

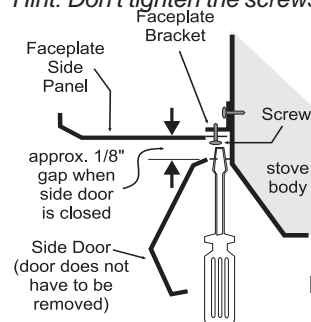


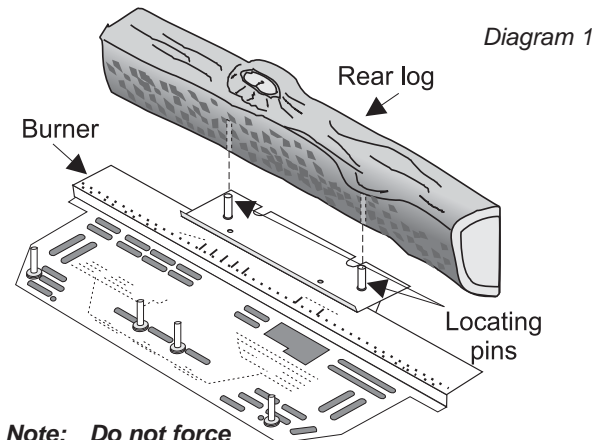
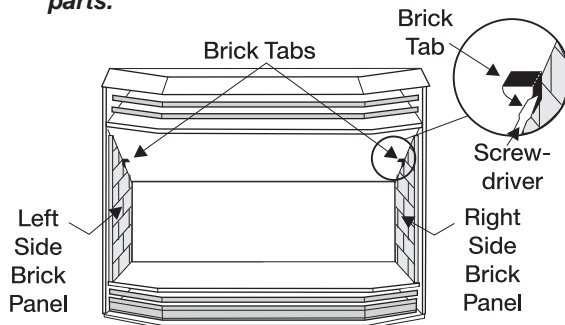
Diagram 5

diagram 4. Once everything is properly lined up you can tighten the 4 screws on the faceplate brackets. See diagram 5.

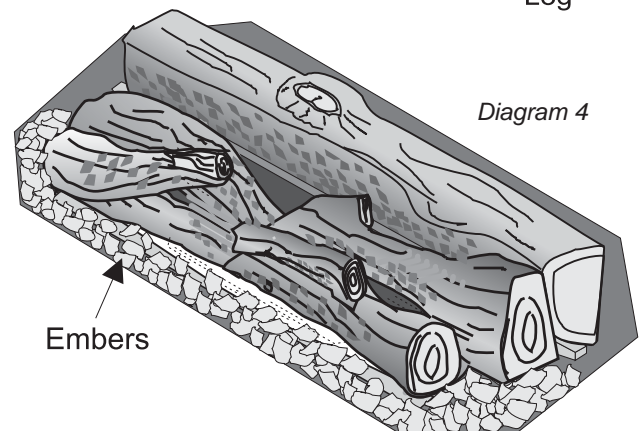
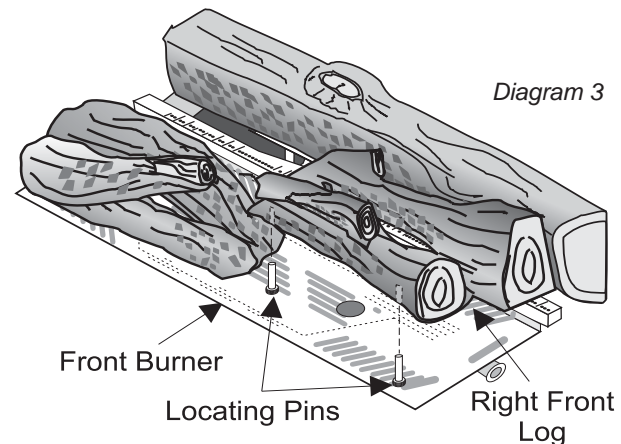
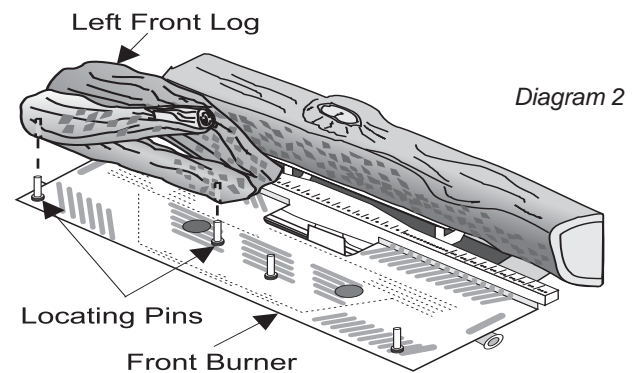
BRICK PANEL INSTALLATION

- 1) Unwrap the brick pattern panels from the protective wrapping.
- 2) Open the door and position the side brick panels into place from the front of the firebox. There are two tabs to the panels in place, one on each side. Carefully bend the tabs down with a screwdriver until panels are held securely in place.

Note: Use caution when putting the side panels in as they can easily be scratched by the hard component parts.



Note: Do not force logs down.



LOG INSTALLATION

WARNING: Dangerous operating conditions may occur if these logs are not positioned in their approved locations. Read the instructions below carefully and refer to the diagrams. If logs are broken do not use the unit until they are replaced. Broken logs can interfere with the pilot and burner operation.

The gas log kit contains the following:

- a) Front Right Log - Part # 902-192
- b) Front Left Log - Part # 902-193
- c) Rear log - Part # 902-194
- d) Embers - Part # 902-151 (1 bag)
(Part # 650-933 for the set of three logs)

- 1) Remove the logs from the box and carefully unwrap them. The logs are fragile, handle with care - **DO NOT FORCE** into position.
- 2) Place the rear log, carefully sliding it down onto the pins, with the flat side of the log facing the back of the unit. See diagram 1.
- 3) Place the left front log, carefully sliding it down onto the left pins of the front burner. See diagram 2.
- 4) Place the right front log, carefully sliding it down onto the right pins of the front burner. See diagram 3.
- 5) Distribute the embers along the front burner but do not cover the burner ports and around the logs. See diagram 4.

INSTALLATION

the alignment pin. See diagram 2. If the latch plate interferes with the corner of the stove you may want to angle the plate slightly so the door closes more easily.

- 4) The latches should already be at the proper setting. If they are too hard or too easy to close, you may want to adjust them by turning the latch. See diagram 3.
- 5) Remove the blower protective coating.

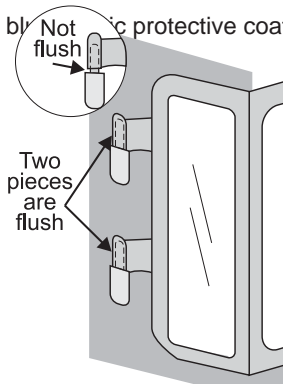


Diagram 1

- 2) Slide the door onto the two hinge pins making sure the two pieces are flush together. See diagram 1.
- 3) Close the door. The latch plate must be centered around

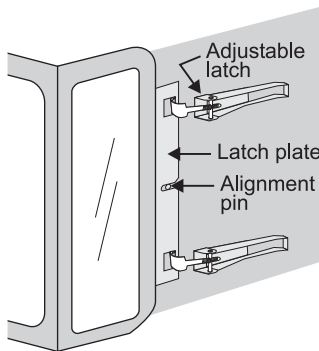


Diagram 2

- 6) Test the seal around the door by placing a piece of paper between the unit and the door, close the door and try to pull the paper out. If it slips out easily, then the door is not properly sealed. Turn the adjustable catch to tighten or loosen the latch. See diagram 3.

Note: *The door latch may require adjustment as the door gasket material compresses after a few fires and after glass replacement. Turn the latch to tighten or loosen the latch.*

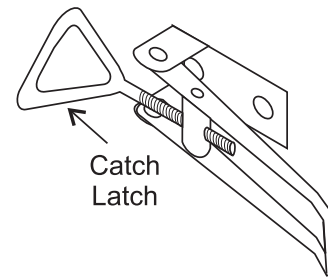


Diagram 3

DOOR INSTALLATION

- 1) Open the two side doors.

OPTIONAL WALL THERMOSTAT

A wall thermostat may be installed if desired. Connect the wires as per the wiring diagrams. Note that the wires are connected to the "TH" on the gas valve. Use chart below to determine the maximum wire length:

Note: *Preferable if the thermostat is installed on an interior wall.*

Regency offers a programmable thermostat but any CSA, ULC or UL approved millivolt thermostat, 250-750 millivolt rated non-anticipator type thermostat may be used.

CAUTION
Do not connect the millivolt wall thermostat wires to the 240V wires.

Thermostat Wire Table

Wire Size	System) Max. Length
14 GA.	
16 GA.	
Recom- mended Maximum Lead Length (Two-Wire)	When Us- ing Wall Ther- mostat (CP-2

INSTALLATION

OPTIONAL REMOTE CONTROL

Use the Regency Remote Control Kits approved for this unit. Use of other systems may void your warranty.

The remote control kit comes with a hand held transmitter, a receiver and a wall mounting plate.

- 1) Choose a convenient location on the wall to install the receiver and the receptacle box (protection from extreme heat is very important). Run wires from the fireplace to that location. Use Thermostat Wire Table.
- 2) Connect the wires as per the wiring diagram on page 15.

CAUTION

Do not connect the millivolt remote control wires to the 240V wires.

- 3) Install alkaline batteries in both the receiver and the transmitter. Install the receiver and its cover in the wall. Switch the hand held remote transmitter to "remote" mode. The remote control is now ready for operation.

FINAL CHECK

Before leaving this unit with the customer, the installer must ensure that the appliance is firing correctly. This includes:

- 1) Check operating pressure (see Data Badge for operating pressure settings).
- 2) If required, adjusting the primary air to ensure that the flame does not carbon. First allow the unit to burn for 15 min. to stabilize.

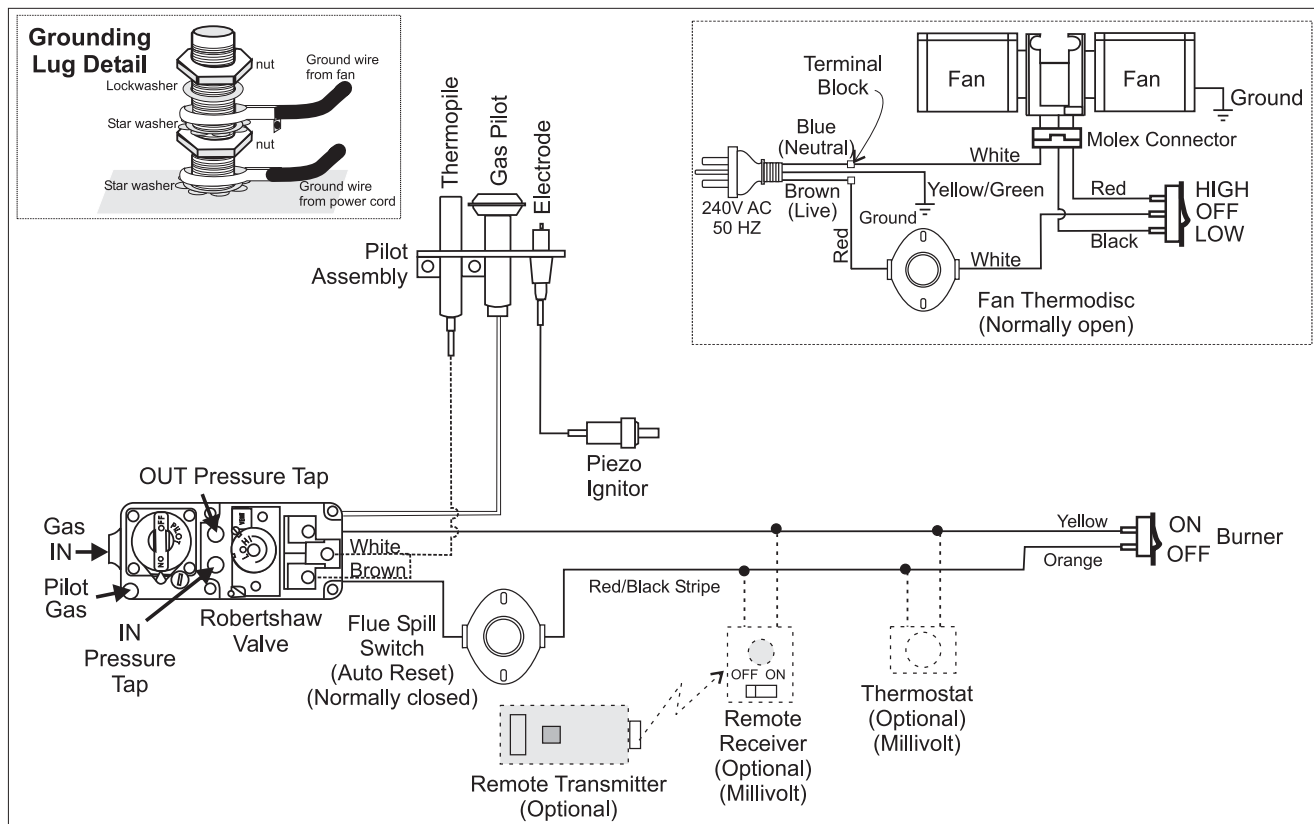
NG: 8mm
LPG Full open

- 3) Check for proper draft.

CAUTION

Any alteration to the product that causes sooting or carboning that results in damage to the exterior facia is not the responsibility of the manufacturer.

WIRING DIAGRAM



OPERATING INSTRUCTIONS

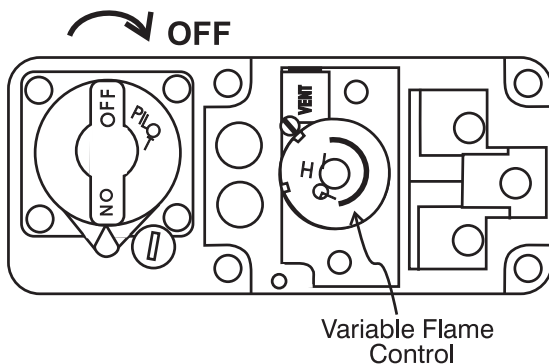
OPERATING INSTRUCTIONS

Before operating this appliance, proceed through the following check list.

- 1) Read and understand these instructions before operating this appliance.
- 2) **Clean the burner and control compartment of lint and house dust by brushing and vacuuming regularly. At least once a year.**
- 3) Never operate the appliance with any of the glass removed or with the door open.
- 4) Verify log placement. If the pilot cannot be seen when lighting the unit - the logs or the embers have been incorrectly positioned.
- 5) The unit should never be turned off and on without a minimum of a 60 second wait.
- 6) Do not operate with primary guard removed. See below.

THE GUARD IS FITTED TO THIS APPLIANCE TO REDUCE THE RISK OF INJURY FROM BURNS AND NO PART OF IT SHOULD BE PERMANENTLY REMOVED.

FOR PROTECTION OF YOUNG CHILDREN OR THE INFIRM, A SECONDARY GUARD IS REQUIRED.



LIGHTING PROCEDURE

IMPORTANT: Gas cock knob cannot be turned from "PILOT" to "OFF" unless it is partially depressed.

- 1) Open the left side door when lighting the pilot, but once the pilot is lit, DO NOT operate the unit with the front glass door open.
- 2) Open the bottom louvre assembly by turning the wing nut and swinging the louvres out. (See page 8 for diagram.)
- 3) If the control knob is in the "OFF" position proceed to Step 5.
- 4) Push in gas control knob slightly and turn clockwise to "OFF". Knob cannot be turned from "PILOT" to "OFF" unless knob is pushed in slightly. Do not force.
- 5) Wait five minutes to allow gas, that may have accumulated in the main burner compartment, to escape. If you do smell gas, follow the instructions on the front of this manual. If you don't smell gas continue on to the next step.
- 6) Turn the gas control counterclockwise to "PILOT".
- 7) Push in control knob all the way and hold in. Immediately push black button on spark igniter until pilot lights. Continue to hold the control knob in for approximately one minute, then release the gas control knob. The pilot flame should continue to burn. If the pilot does not remain lit, repeat operation allowing a longer period before releasing gas control knob.
- 8) Turn gas control knob counterclockwise to "ON".
- 9) Use rocker switch to operate main burner.
- 10) Rotate the variable flame control to adjust the flame height higher or lower.
- 11) Close the bottom louvre assembly and tighten the wingnut.
- 12) The door must be closed when operating the unit.

SHUTDOWN PROCEDURE

- 1) Use the rocker switch to turn off the main burner.
- 2) Open the bottom louvre assembly by turning the wing nut and swinging the louvres out.
- 3) Push in the gas control knob slightly and turn clockwise to "OFF". Do not force.
- 4) Disconnect all electric power to the appliance if service is to be performed.

OPERATING INSTRUCTIONS

COPY OF THE LIGHTING PLATE INSTRUCTIONS

**FOR YOUR SAFETY
READ BEFORE LIGHTING**

T

CAN1001 ANS1001A AG001
N00000 N1S001

WARNING

A

BEFORE LIGHTING

WHAT TO DO IF YOU SMELL GAS

I

F

I

C

U

N

I

F

T

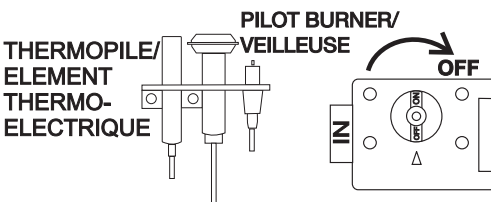
CAUTION

S

LIGHTING INSTRUCTIONS

STOP! Read the safety information above on this label.

- 1) Push in gas control knob slightly and turn clockwise to "OFF". Knob cannot be turned from "PILOT" to "OFF" unless knob is pushed in slightly. Do not force.



- 2) Wait five (5) minutes to clear out any gas. If you then smell gas STOP! follow "B" in the safety information above on this label. If you don't smell gas, go to the next step.
- 3) Turn knob on gas control counterclockwise to "PILOT".
- 4) Push in control knob all the way and hold in. Immediately push black button on spark igniter until pilot lights. Continue to hold the control knob in for about 1/2 minute after the pilot is lit. Release knob and it will pop back up. Pilot should remain lit. If it goes out, repeat steps 3) and 4). If knob does not pop up when released, stop and immediately call your service technician or gas supplier. If the pilot will not stay lit after several tries, turn the gas control knob to "OFF" and call your service technician or gas supplier.
- 5) Turn gas control knob counterclockwise to "ON".
- 6) Use rocker switch to operate main burner.

TO TURN OFF GAS APPLIANCE

- 1) Push in the gas control knob slightly and turn clockwise to "OFF". Do not force.
- 2) Turn off all electric power to the appliance if service is to be performed.

**DO NOT REMOVE THIS
INSTRUCTION PLATE**

Made in Canada 908-099a

OPERATING INSTRUCTIONS

FIRST FIRE

The first fire in your heater is part of the paint curing process. To ensure that the paint is properly cured, it is recommended that you burn your fireplace for at least four (4) hours the first time you use it with the fan on. When first operated, the unit will release an odour caused by the curing of the paint, the burning off of any oils remaining from manufacturing. Smoke detectors in the house may go off at this time. Open a few windows to ventilate the room for a couple of hours.

The glass panel may require cleaning after the unit has cooled down.

DO NOT ATTEMPT TO CLEAN THE GLASS WHILE IT IS HOT.

Note: *When the glass is cold and the appliance is lit, it may cause condensation and fog the glass. This condensation is normal and will disappear in a few minutes as the glass heats up.*

DO NOT BURN THE APPLIANCE WITHOUT THE GLASS FRONT IN PLACE.

AUTOMATIC CONVECTION FAN OPERATION

The fan operates automatically, set the fan switch on the side of the faceplate to the desired speed. The fan will turn on as the stove comes up to operating temperature.

After the unit has been turned off and the unit cooled to below a useful heat output range the fan will shut off automatically.

WARNING:
Do not spray aerosols in the vicinity of this appliance.

NORMAL OPERATING SOUNDS OF GAS APPLIANCES

It is possible that you will hear some sounds from your gas appliance. This is perfectly normal due to the fact that there are various gauges and types of steel used within your appliance. Listed below are some examples. All are **normal operating sounds** and should not be considered as defects in your appliance.

Fan:

Regency gas appliances use high tech fans to push heated air farther into the room. It is not unusual for the fan to make a "whirring" sound when ON. This sound will increase or decrease in volume depending on the speed setting of your fan speed switch.

Burner Tray:

The burner tray is positioned directly under the burner tube(s) and logs and is made of a different gauge material from the rest of the firebox and body. Therefore, the varying thicknesses of steel will expand and contract at slightly different rates which can cause "ticking" and "cracking" sounds. You should also be aware that as there are temperature changes within the unit these sounds will likely re-occur. Again, this is normal for steel fireboxes.

Fan Thermodisc:

When this thermally activated switch turns ON it will create a small "clicking" sound. This is the switch contacts closing and is normal.

Pilot Flame:

While the pilot flame is on it can make a very slight "whisper" sound.

Gas Control Valve:

As the gas control valve turns ON and OFF, a dull clicking sound may be audible, this is normal operation of a gas regulator or valve.

Unit Body/Firebox:

Different types and thicknesses of steel will expand and contract at different rates resulting in some "cracking" and "ticking" sounds will be heard throughout the cycling process.

IMPORTANT MAINTENANCE INSTRUCTIONS

**SERVICE ANNUALLY ONLY BY AN
AUTHORISED PERSON**

- 1) Clean the burner and control compartment of lint and house dust by brushing and vacuuming at least once a year. When cleaning the logs, use a soft clean brush as the logs are fragile and easily damaged.

During the annual service the burners should be removed from the burner tray and cleaned. Replace logs and embers as per instructions on page 13.

- 2) Clean glass (never when unit is hot), appliance, door and louvres with a damp cloth. Never use an abrasive cleaner. The gold louvres (and optional gold door) may be scratched if abrasives are used to clean them. The heater is finished in a heat resistant paint and should only be refinished with heat resistant paint (not with wall paint). Regency uses Stove Brite Paint - Metallic Black #6309.
- 3) Make a periodic check of burner for proper position and condition. Visually check the flame of the burner periodically, making sure the flames are steady; not lifting or floating. If there is a problem, call an authorised service person.
- 4) The appliance and flueing system must be inspected before use, and at least annually, by an authorised field service person, to ensure that the flow of combustion and ventilation air is not obstructed.
- 5) Keep the area near the appliance clear and free from combustible materials, gasoline, aerosols, and other flammable vapours and liquids.

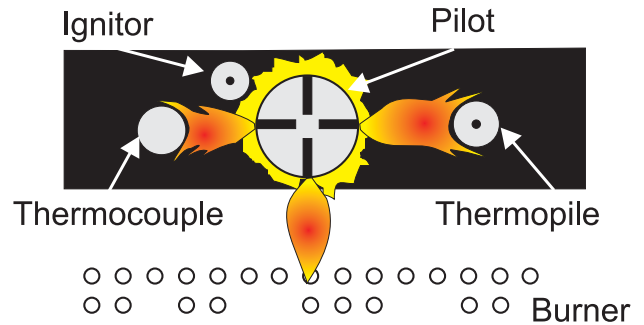
CHILDREN AND ADULTS SHOULD BE ALERTED TO THE HAZARDS OF HIGH SURFACE TEMPERATURES, ESPECIALLY THE FIREPLACE GLASS, AND SHOULD STAY AWAY TO AVOID BURNS OR CLOTHING IGNITION.

CLOTHING OR OTHER FLAMMABLE MATERIAL SHOULD NOT BE PLACED ON OR NEAR THE APPLIANCE.

CAUTION: ANY SAFETY SCREEN OR GUARD REMOVED FOR SERVICING AN APPLIANCE MUST BE REPLACED PRIOR TO OPERATING THE APPLIANCE.

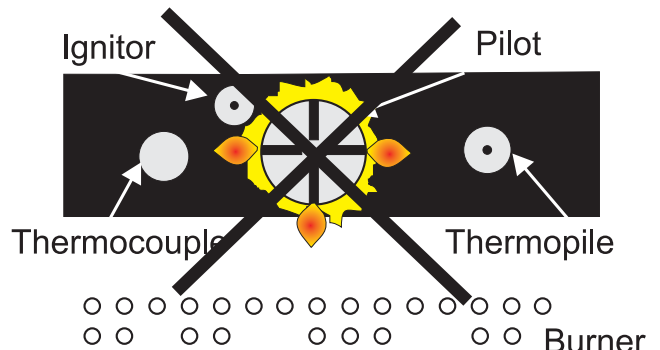
- 6) Each time the appliance is lit, it may cause condensation and fog the glass. This condensation and fog is normal and will disappear in a few minutes as the glass heats up. **Never operate the appliance without the glass properly secured in place or with the door open.**

- 7) Periodically check the pilot flames. Correct flame patterns, not coming into proper contact with the rear burner or thermopile or thermocouple. There are three strong blue flames: 1 flowing around the thermopile, 1 around the thermocouple and 1 flowing across the burner (it does not have to be touching the burner).



Top View of pilot flame.

Incorrect flame pattern will have small, probably yellow flames that do not come into proper contact with the rear burner of the thermopile or thermocouple.



Top View of pilot flame

Note: If you have an incorrect flame pattern, contact your Regency dealer for further instructions.

MAINTENANCE

LOG REPLACEMENT

The unit should never be used with broken logs. Turn off the gas valve and allow the unit to cool before opening door to carefully remove the logs. The pilot light generates enough heat to burn someone. If for any reason a log should need replacement, you must use the proper replacement log. The position of these logs must be as shown in the diagram under Log Installation.

NOTE: Improper positioning of logs may create carbon build-up and will alter the unit's performance which is not covered under warranty.

GOLD-PLATED DOORS

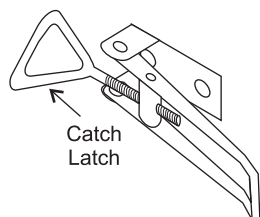
The 24 carat gold plated finish on the door requires little maintenance, and need only be cleaned with a damp cloth. **DO NOT** use abrasive materials or chemical cleaners, as they may harm the finish and void the warranty. Clean any fingerprints off before turning the unit on. **If gasket seal is not tight - door may discolour.**

DOOR GASKET AND GLASS GASKET

If the door gasket requires replacement use 7/8" diameter oval door gasket. The glass requires 7/8" flat glass gasket. See your Regency Dealer.

LATCH ADJUSTMENT

The door latch may require adjustment as the door gasket material compresses after a few fires and after glass replacement. Turn the adjustable latch to tighten or loosen the latch.



GLASS REPLACEMENT

Your Regency stove is supplied with high temperature, 5 mm Neoceram ceramic glass that will withstand the highest heat that your unit will produce. In the event that you break your glass by impact, purchase your replacement from an authorised Regency dealer only, and follow our step-by-step instructions for replacement.

Removing Glass

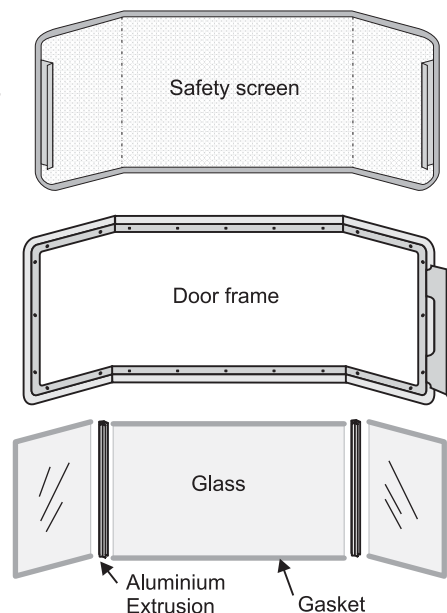
Note: *Wearing gloves will protect your hands while handling glass.*

- 1) Remove the safety screen (Australia only). Remove the door from the unit and place on a soft surface to prevent scratching.
- 2) Pull out the door gasket.
- 3) Remove the 24 nuts holding the glass retainers in place. *Do not remove the nuts underneath the retainers.*
- 4) Remove the door catch plate.
- 5) Remove glass retainers on sides first (3 each side) then remove two center retainers.

Note: *Center glass retainers are glued to center glass.*

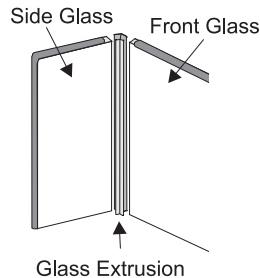
- 6) Remove glass from extrusions. When removing center glass, leave white insulation in place.

Note: Safety screen in Australia only.



Installing Glass

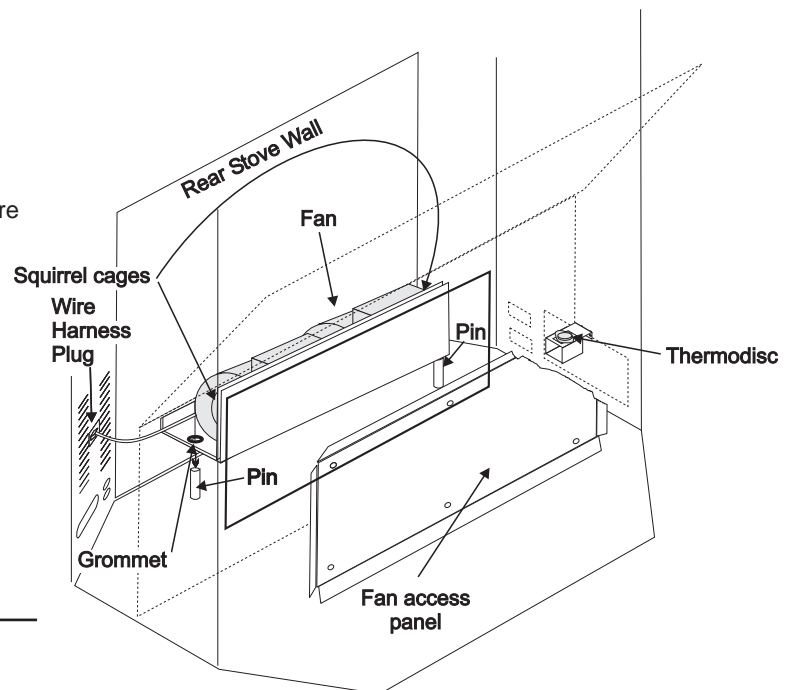
- 1) Install both center and side glass onto extrusions as per diagram.



- 2) Place glass assembly into door frame.
- 3) Install retainers by placing 1 drop of glue where previously glued and put in place.
- 4) Install side retainers.
- 5) Install door catch plate.
- 6) Install the 24 nuts loosely, do not tighten yet.
- 7) Tighten side panels nuts using the following procedure :
 - a. tighten top & bottom outside corner nuts (2)
 - b. tighten inside nuts (3)
 - c. tighten top & bottom inside corners (2)
- 8) Tighten the 10 nuts on center glass retainer.
- 9) Repeat step 7 for other side panel.
- 10) Replace new gasket by gluing it in place.
- 11) Install door onto stove and check the seal.

To remove fan:

- 1) Unplug or disconnect power source to stove.
- 2) Remove all logs and the rear log support, then remove the 6 screws holding the access panel in place.
- 3) Disconnect white wire from fan to power cord.
- 4) Disconnect black wire from molex plug to thermodisc.
- 5) Unplug wire harness on left rear side panel (from inside the stove).
- 6) Disconnect green ground wire from fan body.
- 7) Lift fan off of the 2 pins, tip forward and pull through firebox opening.



FAN MAINTENANCE

If your fan requires maintenance or replacement, access to the fan is through the access panel on the rear wall of the firebox. **NOTE: the unit MUST NOT be operated without the fan access panel securely in place and correctly sealed.**

IMPORTANT
Disconnect power supply before servicing

WARNING: Electrical Grounding Instructions
This appliance is equipped with a three pronged (grounding) plug for your protection against shock hazard and should be plugged directly into a properly grounded three-prong receptacle. Do not cut or remove the grounding prong from this plug.

IMPORTANT:

These fans do collect a lot of dust from within your home. Ensure you maintain these fan motors on a regular basis by vacuuming out the fan squirrel cages.

Replacing fan:

Reverse above steps. *Hint for pushing fan down onto pins - rub a bit of dish soap on the grommet so it will slide more easily onto the pin. Check to make sure the fan is seated properly on the pins - try to move the fan back and forth, there should be no noise, if there is check that the grommets haven't come loose.*

Caution: Ensure that the wires do not touch a hot surface.

SERVICE

TROUBLESHOOTING THE GAS CONTROL SYSTEM

Note: Before troubleshooting the gas control system, be sure external gas shut off is in the "on" position.

WARNING: BEFORE DOING ANY GAS CONTROL SERVICE WORK, REMOVE THE GLASS FRONT.

TROUBLESHOOTING GUIDE		
PROBLEM	POSSIBLE CAUSES	CORRECTIVE ACTION
Spark igniter will not light pilot.	Piezo wire loose Defective Piezo igniter. Piezo wire grounding out. Electrode is grounding out and/or wrong location.	<ul style="list-style-type: none"> Check for spark at electrode and pilot. If no spark, disconnect wire at electrode and put wire to ground and try igniter again. If still no spark follow Piezo wire to Piezo igniter to see where grounding may be occurring. Bend electrode into pilot so gas may be able to contact spark.
Pilot will not stay lit after carefully following lighting instructions.	Defective thermopile. Defective thermocouple. Thermopile/thermocouple grounding out. Loose thermopile leads. TP-THTP on valve. Defective automatic gas valve.	<ul style="list-style-type: none"> Check pilot flame, must impinge on thermopile and thermocouple. Clean and/or adjust pilot so pilot is enveloped around thermopile and thermocouple and correct millivolt reading is set. Be sure wire connections at gas valve terminals are tight and thermopile and thermocouple are fully inserted into pilot bracket. One of the switch wires may be grounded. May be grounded to gas appliance or gas supply. Check thermopile with millivolt meter. Take reading at thermopile terminals of valve TP-TPTH. Should read 250 millivolts minimum while holding valve knob in pilot position with pilot on and wall switch/two way switch off. Replace if lower than specified minimum. Turn valve knob to on including pilot. Take reading at TP-TPTH with on/off switch in the on position. Reading should be 100mv or greater. If reading is okay and pilot does not hold, replace gas valve.
Pilot burning, no gas to burner. Valve knob is on. Wall switch is on.	Valve wire connections are loose. Valve wires are defective. Spill switch has not been reset (B-vent F/S). Spill switch is stuck in the open position. (B-vent INS - F/S).	<ul style="list-style-type: none"> Check two way switch/wall switch for proper connections. Jumper wire across terminals at two way switch/wall switch. If burner comes on, replace switch. If okay, jumper wire at valve at TH-THTP. If unit turns on, replace wires and/or check where loose wires are.
Frequent pilot outage problems.	Pilot flame may be too low or blowing high causing the pilot safety to drop out. Two way switch wires may be grounding out. Thermopile and/or thermocouple may be grounding out.	<ul style="list-style-type: none"> Clean and/or adjust pilot for maximum flame impingement on thermopile and/or thermocouple and correct millivolt reading is set. Trace wires from valve to two way switch/wall switch for possible grounding against gas appliance and/or gas supply. Trace thermopile wires from valve to thermopile for possible grounding against gas appliance and/or gas valve. Follow same steps for thermocouple.
<p>Note: <i>For service technicians only.</i> See the Regency Troubleshooting Guide for more detailed information. (Troubleshooting Regency Gas Products - Part # 908-439.)</p>		

ABNORMAL OPERATION

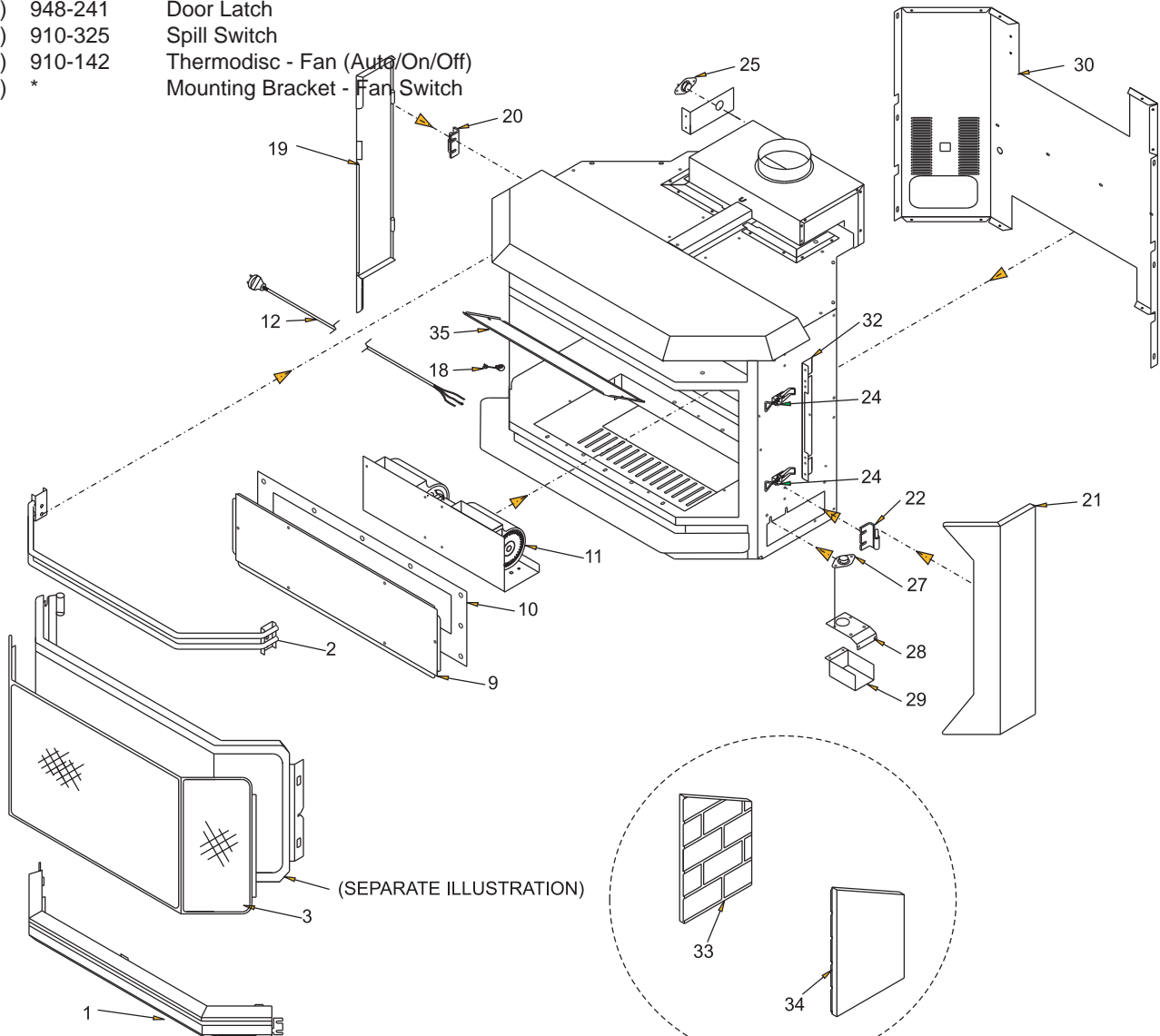
If the main burner does not light but pilot stays on shut down heater and contact your dealer

If excessive carbon on logs or glass contact your dealer

REPLACEMENT / SPARE PARTS LIST

Part #	Description	Part #	Description
1) 611-525	Bottom Louvre Assy.	29) *	Thermodisc Cover
2) 653-535/02	Top Louvre Assy - Gold	30) 610-175	Rear Panel
3) 651-135	Safety Screen (Australia Only)	32) 710-028	Faceplate Mounting Bracket
9) 590-105	Fan Access Door	611-923	Pkg. Brick Panel Set
10) 936-196	Fan Access Door Gasket	33) 902-165	Brick Panel (Left)
610-518	Fan Assembly	34) 902-166	Brick Panel (Right)
11) 910-155/P	Fan Motor (240 Volt)	651-076	Brick Clips (2/set)
12) 910-714	Power Cord (240 Volt)	35) 591-187	Firebox Baffle
910-782	Wire Harness (Fan End)	908-058	Manual - Regency
910-784	Wire Harness (Stove End)		
19) 613-520	Side Panel Door Assy (Left)		
20) 650-527	Side Panel Door Hinge Bracket (Left)		
21) 613-522	Side Panel Door Assy (Right)		
22) 650-528	Side Panel Door Hinge Bracket (Right)		
24) 948-241	Door Latch		
25) 910-325	Spill Switch		
27) 910-142	Thermodisc - Fan (Auto/On/Off)		
28) *	Mounting Bracket - Fan Switch		

*Not available as a replacement part.

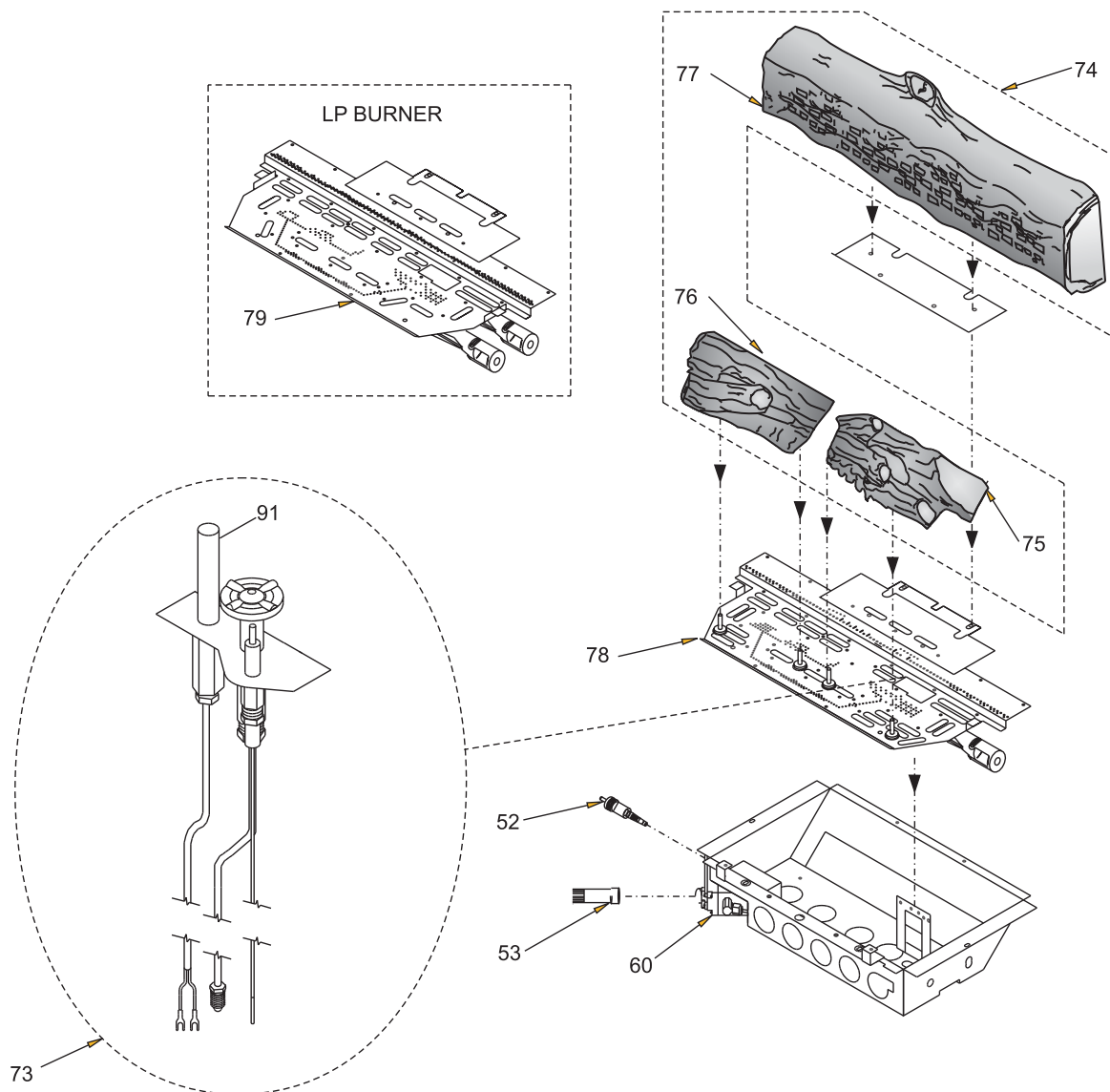


BRICK PANELS

PARTS LIST

REPLACEMENT / SPARE PARTS LIST

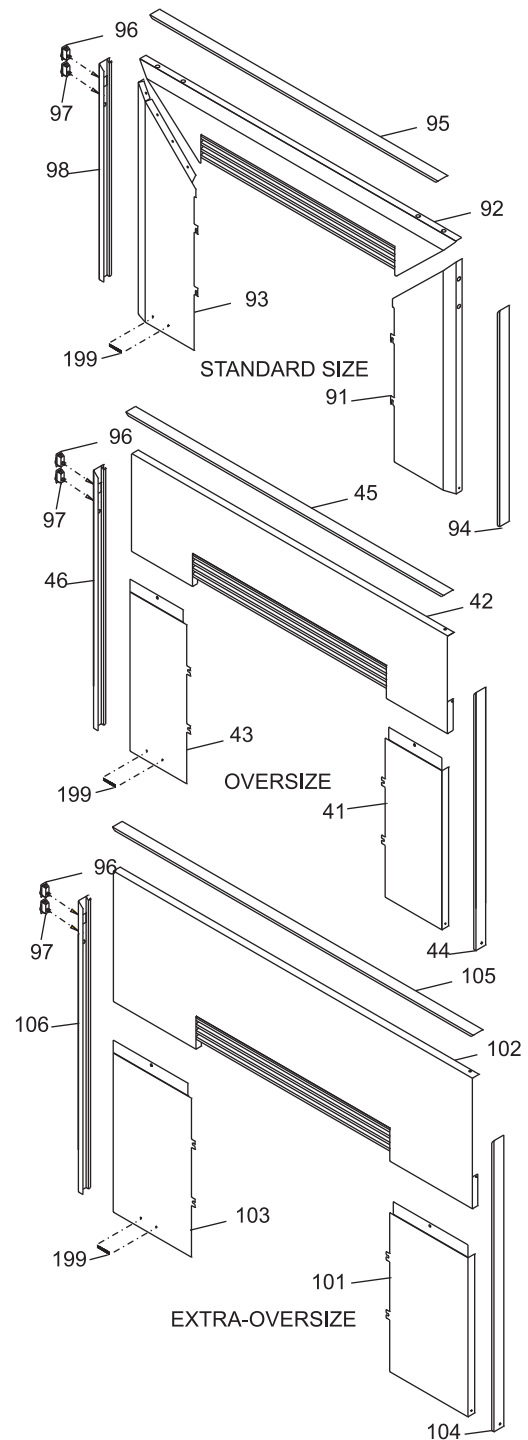
Part #	Description	Part #	Description
52)	910-190 Piezo Ignitor & Nut	74)	650-933 Pkg. Log Set
53)	910-426 Hi/Low Valve Extension Knob	75)	902-192 Front Log - Right
	611-564/P Valve Assembly - NG	76)	902-193 Front Log - Left
	611-566/P Valve Assembly - LPG	77)	902-194 Rear Log
60)	910-028 Valve - NG		902-151 Embers
	910-029 Valve - LPG	78)	651-578 Burner Assy-NG
	904-690 #31 Orifice -NG	79)	651-575 Burner Assy-LPG
	904-163 #54 Orifice Front - LPG		
	904-241 #56 Orifice Rear - LPG	91)	910-341 Thermopile
73)	910-048 Pilot Assy S.I.T. - 4 flame - NG		
	910-049 Pilot Assy S.I.T. - 4 flame - LPG		



REPLACEMENT / SPARE PARTS LIST

Part #	Description
610-925	Pkg. Faceplate & Trim (Set) - Standard
610-926	Pkg. Faceplate & Trim (Set) - Oversize
610-927	Pkg. Faceplate & Trim (Set) - Extra Oversize
610-525	Trim Pkg. - Standard
610-554	Trim Pkg. - Oversize
610-556	Trim Pkg. Extra Oversize
41) *	Faceplate Side (Right) - Oversize
42) *	Faceplate Top Assy - Oversize
43) *	Faceplate Side (Left) - Oversize
44) *	Faceplate Trim (Right) - Oversize
45) *	Faceplate Trim (Top) - Oversize
46) *	Faceplate Trim (Left) Assy-Oversize with Burner Switch and Fan Switch
91) *	Faceplate Side (Right) - Standard
92) *	Faceplate Top Assy - Standard
93) *	Faceplate Side (Left) - Standard
94) *	Faceplate Trim (Right) - Standard
95) *	Faceplate Trim (Top) - Standard
98) *	Faceplate Trim (Left) Assy-Standard with Burner Switch and Fan Switch
96) 910-246	Burner ON/OFF Switch
97) 910-140	Fan HI/OFF/LOW Switch (240 V)
910-784	Wire Harness (Faceplate end)
910-782	Wire Harness (Fan End)
101) *	Faceplate Side (Right) - Extra Oversize
102) *	Faceplate Top Assy - Extra Oversize.
103) *	Faceplate Side (Left) - Extra Oversize
104) *	Faceplate Trim (Right) - Extra Oversize
105) *	Faceplate Trim (Top) - Extra Oversize
106) *	Faceplate Trim (Left) Assy-Extra Oversize with Burner Switch and Fan Switch
199) 948-216	Logo Plate (Regency)

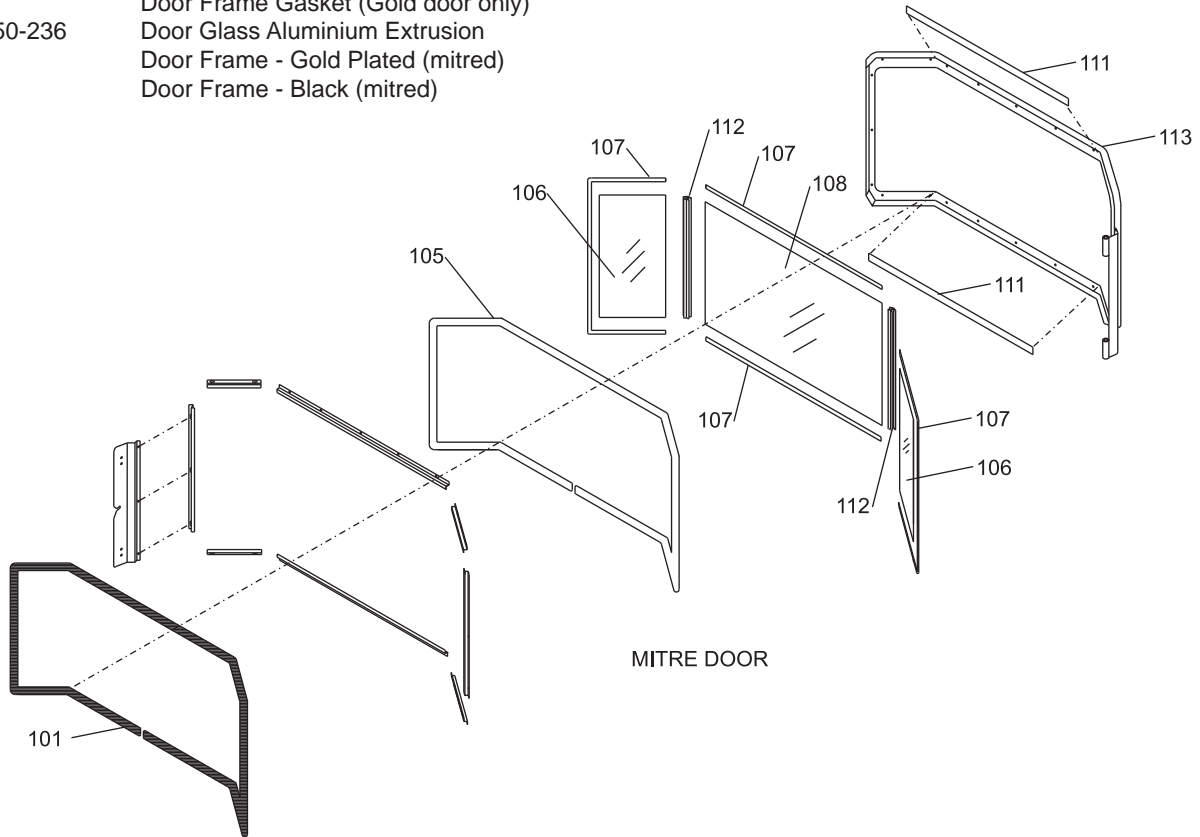
*Not available as a replacement part.



PARTS LIST

REPLACEMENT / SPARE PARTS LIST

Part #	Description
650-975	Gold Door - Complete Assy
650-974	Black Door - Complete Assy
101) 650-920	Door Gasket Kit
105) *	3/4" Ceramic Paper
106) 940-226/P	Side Glass
107) 936-243	Glass Gasket
108) 940-227/P	Centre Glass
111) *	Door Frame Gasket (Gold door only)
112) 650-236	Door Glass Aluminium Extrusion
113) *	Door Frame - Gold Plated (mitred)
*	Door Frame - Black (mitred)



WARRANTY

Regency® Fireplace Products are designed with reliability and simplicity in mind. In addition, our internal Quality Assurance Team carefully inspects each unit thoroughly before it leaves our door. FPI is pleased to extend this limited lifetime warranty to the original purchaser of a Regency® Product.

The Warranty: Lifetime

Covered under the agreement are the following components: Combustion chamber, heat exchanger, burner tubes, logs, embers, glass (thermal breakage) and all gold plating against defective manufacture.

NOTE: Gold Plated Barcelona Front - slight imperfections in the gold plating are due to the plating process and are not considered defects.

The above will be covered for parts and labour for the first five years and parts only thereafter.

Electrical components such as fans, switches, wiring, thermodiscs, remote control, thermopiles, thermocouples and gas valves are covered for one year from the date of purchase.

The warranty on brass parts is for one year, no labour. The brass is not warranted against tarnishing.

Conditions:

All installations must be performed by a qualified gas fitter and installed according to all applicable local and national codes. Also, all service work must be carried out by a qualified gas service person provided by the selling dealer. It is the responsibility of the installer to ensure that the appliance is firing as per rating plate. Any part or parts of this unit which in our judgement show evidence of such defect will be repaired or replaced at Regency®'s option, through an accredited distributor or agent provided that the defective part be returned to the distributor or agent **Transportation Prepaid**, if requested. In areas where there is not an approved service agent or the closest approved service agent is situated more than thirty (30) kilometres from the installation, Regency is not obliged to arrange warranty repairs and travel and/or additional labour charges will apply.

Exclusions:

This limited Lifetime Warranty does not extend to or include paint, door or glass gasketing or trim. It does not cover installation and operational related problems such as over-firing, downdrafts or spillage caused by environmental conditions, nearby trees, buildings, hilltops, mountains, inadequate flueing or ventilation, excessive offsets, negative air pressures caused by insufficient make up air, mechanical systems such as furnaces, fans, clothes dryers etc.

The warranty does not extend to any part or parts which show evidence of misuse or abuse, neglect, accident, lack of maintenance, or improper installation.

Products made by other manufacturers and used in conjunction with the operation of this appliance without authorization from Regency®, may nullify your warranty on this product.

Regency Fireplace Products, shall in no event be liable for any special, indirect consequential damages of any nature whatsoever which are in excess of the original purchase price of the product. Any alteration to the unit which causes sooting or carboning that results in damage to the exterior fascia is not the responsibility of Regency Fireplace Products,.

General:

It is essential that all submitted claims provide all of the necessary information including purchase date, serial #, type of unit and part or parts requested.

DISTRIBUTORS:	Western Australia	Eastern Australia
	Air Group Australia	Fireplace Products Australia PTY. Ltd.
	28-30 Division St.	21-23 South Link Blvd.
	Welshpool WA 6106	Dandenong, VIC 3 175
	08 9350 2200	03 9799 7277

NOTE: PLEASE RETAIN YOUR INVOICE AS PROOF OF PURCHASE FOR WARRANTY VERIFICATION

INCORRECT INSTALLATION OR GAS PRESSURE SETTINGS ARE NOT COVERED BY WARRANTY

A SERVICE OR CALLOUT FEE WILL BE CHARGED IN THESE CIRCUMSTANCES.

