



# Cascades™ I1500 Wood Insert

## Owners & Installation Manual



[www.regency-fire.com](http://www.regency-fire.com)

**French Manual:** <https://bit.ly/2ykr307>

**Manuel en Français:** <https://bit.ly/2ykr307>

Tested by:



Report # 0219WN022S

**Installer:** Please complete the details on the back cover  
and leave this manual with the homeowner.

**Homeowner:** Please keep these instructions for future reference.

Thank you for purchasing a  
**REGENCY FIREPLACE PRODUCT.**

The pride of workmanship that goes into each of our products will give you years of trouble-free enjoyment. Should you have any questions about your product that are not covered in this manual, please contact the **REGENCY DEALER** in your area.

**"This wood heater has a manufacturer set minimum low burn rate that must not be altered. It is against federal regulations to alter this setting or otherwise operate this wood heater in a manner inconsistent with operating instructions in this manual." Failure to follow the manual details can lead to smoke and CO emissions spilling into the home. It is recommended to have monitors in areas that are expected to generate CO such as heater fueling areas.**

**"U.S. ENVIRONMENTAL PROTECTION AGENCY Certified to comply with 2020 particulate emission standards using crib wood."  
Model Regency I1500 – 1.0g/hr.**

"This manual describes the installation and operation of the Regency I1500 catalytic equipped wood heater. This heater meets the 2020 U.S. Environmental Protection Agency's crib wood emission limits for wood heaters. Under specific test conditions this heater has been shown to deliver heat at rates ranging from 14,244 BTU/hr to 20,386 BTU/hr." Efficiency is determined using the B415 method resulting in lower and higher heat values. This heater generates the best efficiency when operated using well-seasoned wood and installed in the main living areas where the majority of the chimney is within the building envelope. "This wood heater contains a catalytic combustor, which needs periodic inspection and replacement for proper operation.

It is against federal regulation to operate this wood heater in a manner inconsistent with operating instructions in this manual, or if the catalytic element is deactivated or removed."

**CAUTION: BURN UNTREATED WOOD ONLY. OTHER MATERIALS SUCH AS WOOD PRESERVATIVES, METAL FOILS, COAL, PLASTIC, GARBAGE, SULPHUR OR OIL MAY DAMAGE THE CATALYST**

"This heater is designed to burn natural wood only. Higher efficiencies and lower emissions generally result when burning air dried seasoned hardwoods, as compared to softwoods or to green or freshly cut hardwoods."

**DO NOT BURN:**

- Treated wood
- Coal
- Garbage
- Cardboard
- Solvents
- Colored Paper  
Bio Bricks
- Trash
- **Lawn clippings or yard waste**
- **Materials containing rubber including tires**
- **Materials containing plastic**
- **Waste petroleum products , paints or paint thinners or asphalt products**
- **Materials containing asbestos**
- **Construction or demolition debris**
- **Railroad ties**
- **Manure or animal remains**
- **Saltwater driftwood or other previously salt water saturated materials**
- **Unseasoned wood**
- **Paper products, cardboard, plywood or particle board. The prohibition against burning these materials does not prohibit the use of fire starters made from paper, cardboard, saw dust, wax and similar substances for the purpose of starting a fire in a wood heater.**

Burning these materials may result in release of toxic fumes or render the heater ineffective and cause smoke.

**The authority having jurisdiction (such as Municipal Building Department, Fire Department, Fire Prevention Bureau, etc.) should be consulted before installation to determine the need to obtain a permit.**

**ULC628-2022 - Canada**

This fireplace insert must be installed with a continuous chimney liner of 5.5 or 6 inch diameter extending from the fireplace insert to the top of the chimney. The chimney liner must conform to the class 3 requirements of CAN/ULS-S635 Standard for lining systems for existing Masonry or factory built chimneys and vents or to the requirements of CAN/ULC-S640, Standard for lining systems for new masonry chimneys

**UL1482-2022 - U.S.A**

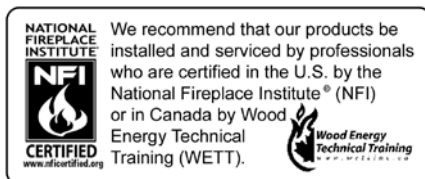
A chimney complying with the requirement for type HT chimneys in the standard for chimneys, factory built residential and building heating appliance UL103 or a code approved masonry chimney liner with a flue liner.

This fireplace insert must be installed with a continuous chimney liner of 5.5 or 6 inch diameter extending from the fireplace insert to the top of the chimney.

When this room heater is not properly installed, a house fire may result. To reduce the risk of fire follow the installation instructions. Contact local building or fire official as about restrictions and installation requirements in your area.

I1500 is certified to CAN/ULC 628:2022 and UL 1482-2022.

**SAVE THESE INSTRUCTIONS**



919-874

Copy of the Safety Label for I1500 .....4

**Dimensions**

Unit Dimensions with Standard Flue Adaptor.....5  
 Unit Dimensions with Offset Flue Adaptor .....6

**Installation**

Masonry Fireplace Clearances .....7  
 Fireplace Specifications.....7  
 How to Determine if Alternate Floor Protection Materials are Acceptable .....8  
 Installation Into a Masonry Fireplace .....9  
 Before Installing Your Insert.....9  
 Chimney Specifications .....9  
 Installing Your Insert .....10  
 Bypass Rod/Retaining Clip Installation .....11  
 Baffle/Catalyst Installation .....12  
 Faceplate, Trim & Optional Bottom Faceplate & Fan Support Installation.....14  
 Fan/Blower .....18  
 Brick Installation .....19  
 Glass Replacement .....20  
 Wood Door & Handle Assembly .....21  
 Stainless Steel Smoke Deflector Installation.....22

**Operating Instructions**

Seasoned Wood .....23  
 Bypass Operating Handle/Monitor.....23  
 Operating Instructions .....24  
 Draft Control.....24  
 First Fire.....24  
 Fan Operation .....25  
 Ash Disposal .....25  
 Safety Guidelines and Warnings.....25

**Maintenance**

Troubleshooting Guide .....26  
 Maintenance .....27  
 Creosote .....27  
 Door Gasket.....27  
 Glass Maintenance .....27  
 Wood Storage .....27  
 Catalytic Combustor Part #075-531 .....28  
 Combustor Assembly Removal/Replacement.....29  
 Secondary Air Tube Removal/Installation.....30  
 Latch Adjustment .....30  
 Removing Wooden Handle .....30  
 Bypass Rod Removal/Replacement .....31  
 Annual Maintenance .....32

**Parts**

Main Assembly .....33  
 Brick Panels .....35  
 Catalytic Combustor Assembly.....36  
 Faceplates .....37

**Warranty**

Warranty .....38  
 Catalytic Combustor Warranty Coverage.....43

**NATIONAL FIREPLACE INSTITUTE**  
  
**CERTIFIED**  
 www.nficertified.org

We recommend that our products be installed and serviced by professionals who are certified in the U.S. by the National Fireplace Institute® (NFI) or in Canada by Wood Energy Technical Training (WETT).

 **Wood Energy Technical Training**  
 www.wettinc.ca

**ALL PICTURES / DIAGRAMS SHOWN THROUGHOUT THIS MANUAL ARE FOR ILLUSTRATION PURPOSES ONLY. ACTUAL PRODUCT MAY VARY DUE TO PRODUCT ENHANCEMENTS.**

**CAUTION:** To avoid burns or wood splinters, when opening/closing the fuel door or adding wood to the fire, You should always wear appropriate protective gloves to protect your hands from the heat being emitted from this fireplace.

Copy of the I1500 Safety Decal

This is a copy of the label that accompanies each **I1500 Wood Insert**. We have printed a copy of the contents here for your review.

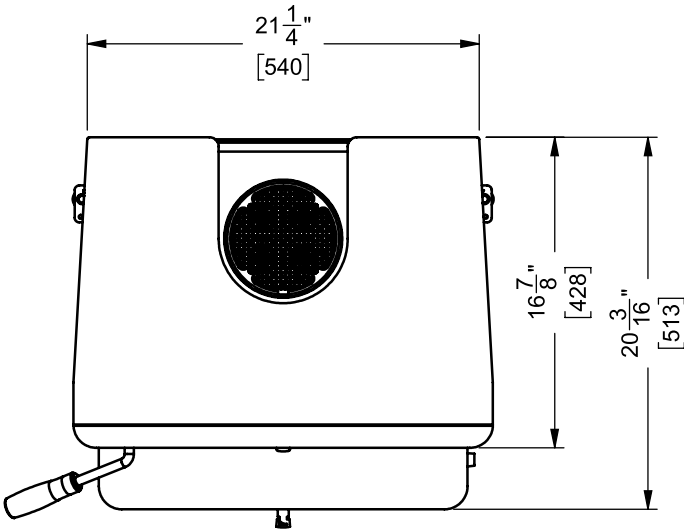
**NOTE:** Regency units are constantly being improved. Check the label on the unit and if there is a difference, the label on the unit is the correct one.

The serial # label will be affixed to a metal plate along with a black chain underneath the firebox. The fan assembly (if installed) would need to be removed which would expose the serial # decal.

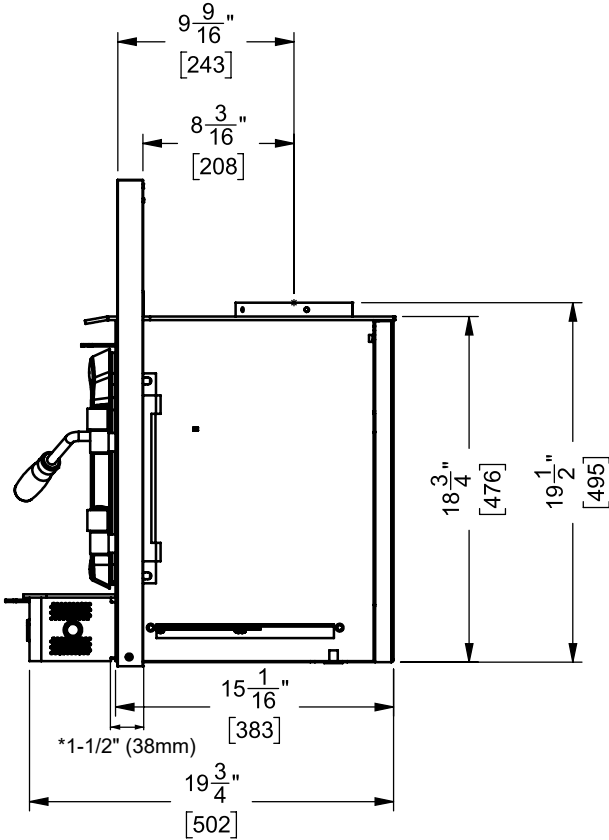
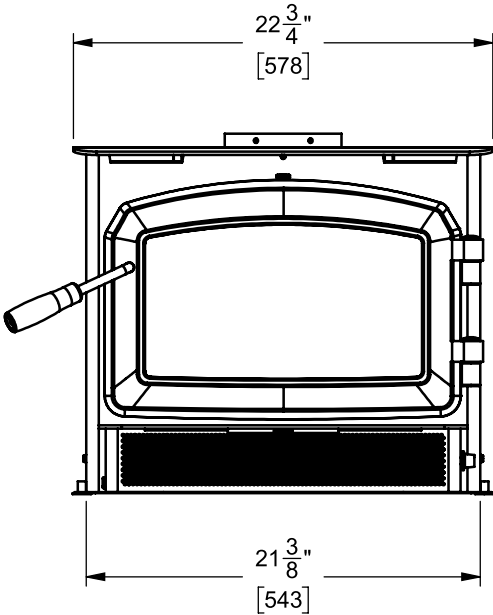
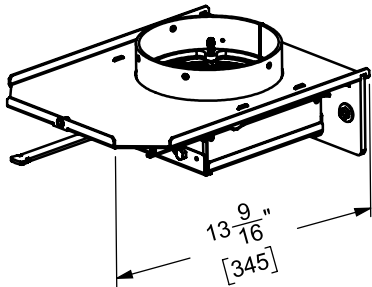
(Duplicate Serial #) <b>450</b>	
	LISTED MASONRY FIREPLACE INSERT CERTIFIED FOR USE IN CANADA AND U.S.A. <b>MODEL: I1500</b> CERTIFIED TO/CERTIFIÉ : CANULC 628:2022 / UL-1482-2022 METHOD 28R REPORT NO.
 <b>450</b>	
U.S. ENVIRONMENTAL PROTECTION AGENCY CERTIFIED TO COMPLY WITH 2020 PARTICULATE EMISSION STANDARDS USING CRIB WOOD. *TESTED TO METHOD 28R. MODEL REGENCY I1500 - 1.0G/HR. THIS WOOD HEATER NEEDS PERIODIC INSPECTION AND REPAIR FOR PROPER OPERATION. CONSULT THE OWNER'S MANUAL FOR FURTHER INFORMATION. IT IS AGAINST FEDERAL REGULATIONS TO OPERATE THIS WOOD HEATER IN A MANNER INCONSISTENT WITH THE OPERATING INSTRUCTIONS IN THE OWNER'S MANUAL.	
INSTALL AND USE ONLY IN ACCORDANCE WITH THE MANUFACTURER'S INSTALLATION AND OPERATING INSTRUCTIONS. INSTALL AND USE ONLY IN MASONRY FIREPLACE ONLY. NOT TO BE INSTALLED IN ANY FACTORY-BUILT FIREPLACE. CONTACT LOCAL BUILDING OR FIRE OFFICIALS ABOUT RESTRICTIONS AND INSTALLATION INSPECTION IN YOUR AREA.	
<b>MINIMUM CLEARANCES TO COMBUSTIBLE MATERIALS</b> (MEASURED FROM INSERT BODY)	
ADJACENT SIDEWALL MANTEL TOP FACING SIDE FACING (to side surround)	A) 15in / 380mm B) 20in / 510mm C) 14in / 355mm D) 0.5in / 13mm
COMBUSTIBLE FLOOR MUST BE PROTECTED BY NON-COMBUSTIBLE MATERIAL EXTENDING (E) 16 IN / 405MM TO FRONT AND (G) 8IN / 205MM TO SIDES FROM FUEL DOOR. IN CANADA MUST EXTEND 18" TO FRONT. THERMAL INSULATION WITH A R VALUE = 1.4 AT A DISTANCE OF 18" FROM FRONT OF DOOR OPENING FOR CANADA AND 16" FOR USA. IF UNIT RAISED 4.5" FROM FLOOR, NO THERMAL INSULATION IS REQUIRED.	
COMBUSTOR PART #075-531 CAUTION: BURNING OF METAL FOILS, COAL, PLASTIC, GARBAGE, SULPHUR AND DIESEL OIL WILL RENDER THE CATALYST IN THE COMBUSTOR INACTIVE. CAUTION: COMBUSTOR IS FRAGILE, HANDLE CAREFULLY THE PERFORMANCE OF THE CATALYTIC DEVICE OR ITS DURABILITY HAS NOT BEEN EVALUATED AS PART OF THE CERTIFICATION. COMPONENTS REQUIRED FOR INSTALLATION: 5.5" (140mm) or 6" (152mm) STAINLESS STEEL LINER LISTED CHIMNEY LINER. OPTIONAL COMPONENT: FAN PART#172-917, ELECTRICAL RATING: VOLTS 115, 60 HZ, 0.6 AMPS DANGER: RISK OF ELECTRIC SHOCK. DISCONNECT POWER BEFORE SERVICING UNIT. DO NOT REMOVE BRICKS OR MORTAR IN MASONRY FIREPLACE. FOR USE WITH SOLID WOOD FUEL ONLY. DO NOT USE GRATE OR ELEVATE FIRE. DO NOT CONNECT THIS UNIT TO A CHIMNEY FLUE SERVING ANOTHER APPLIANCE. BUILD WOOD FIRE DIRECTLY ON HEARTH. OPERATE WITH FEED DOOR CLOSED, OPEN TO FEED FIRE ONLY. REPLACE GLASS ONLY WITH CERAMIC GLASS (5MM). INSPECT AND CLEAN CHIMNEY FREQUENTLY. UNDER CERTAIN CONDITIONS OF USE CREOSOTE BUILDUP MAY OCCUR RAPIDLY. DO NOT OVERFIRE, IF INSERT GLOWS YOU ARE OVER-FIRING. CAUTION: MOVING PARTS MAY CAUSE INJURY. DO NOT OPERATE UNIT WITH A REMOVED PART OR PARTS.	
CERTIFIÉ CONFORME AUX NORMES 2020 DE L'AGENCE AMÉRICAINE DE L'ENVIRONNEMENT EN MATIÈRE D'ÉMISSION DE PARTICULES DE BOIS LORSQUE DES PLANCHES DE BOIS ASSEMBLÉES (CRIB WOOD) SONT UTILISÉES. HOMOLOGUÉ AVEC LA MÉTHODE 28R. MODÈLE REGENCY I1500 - 1,0 G / H. CET APPAREIL DE CHAUFFAGE AU BOIS DOIT ÊTRE INSPECTÉ PÉRIODIQUEMENT ET RÉPARÉ POUR FONCTIONNER CORRECTEMENT. CONSULTEZ LE MANUEL D'INSTALLATION POUR PLUS D'INFORMATION. LA RÉGLEMENTATION FÉDÉRALE INTERDIT DE FAIRE FONCTIONNER UN TEL APPAREIL SI LES CONSIGNES D'UTILISATION CONTENUES DANS LE PRÉSENT MANUEL NE SONT PAS RESPECTÉES.	
TEST : CANULC 628:2022 / UL-1482-2022 METHOD 28R NO DE RAPPORT À INSTALLER ET À UTILISER UNIQUEMENT CONFORMÉMENT AUX CONSIGNES D'INSTALLATION ET D'UTILISATION DU FABRICANT. À INSTALLER ET À UTILISER UNIQUEMENT DANS UN FOYER EN MAÇONNERIE SEULEMENT. NE PEUT PAS ÊTRE INSTALLÉ DANS UN FOYER PRÉFABRIQUÉ. CONTACTEZ LES AUTORITÉS LOCALES EN BÂTIMENT OU INCENDIE POUR CONNAÎTRE LES RESTRICTIONS D'INSTALLATION ET LES RÉGLES D'INSPECTION DANS VOTRE RÉGION.	
(MESURES PRISES DEPUIS LE CAISSON DE L'ENCASTRABLE) DÉGAGEMENTS MINIMAUX AUX MATÉRIELLES COMBUSTIBLES	
MUR LATÉRAL ADJACENT MANTEAU PAREMENT SUPÉRIEUR PAREMENT LATÉRAL	A) 15 po / 380 mm B) 20 po / 510 mm C) 14 po / 355 mm D) 0,5 po / 13 mm
LE PLANCHER COMBUSTIBLE DOIT ÊTRE PROTÉGÉ PAR UN MATÉRIEL NON COMBUSTIBLE S'ÉTENDANT SUR (E) 16 PO / 405MM À L'AVANT ET SUR (G) 8 PO / 205MM ENTRE LES CÔTÉS ET LA PORTE DE CHARGEMENT DU COMBUSTIBLE. PROLONGEMENT SUR 18 PO À L'AVANT AU CANADA. ISOLATION THERMIQUE AVEC UNE VALEUR R = 1.4 À UNE DISTANCE DE 18 PO DEPUIS L'AVANT DE L'OUVERTURE DE LA PORTE AU CANADA ET 16 PO AUX ÉTATS-UNIS. SI L'APPAREIL EST SURÉLEVÉ À 4,5 PO DU SOL, AUCUNE ISOLATION THERMIQUE N'EST REQUISE. CATALYSEUR DE POSTCOMBUSTION PIÈCE N°075-531 ATTENTION : LA COMBUSTION DE FEUILLES DE MÉTAL, DE CHARBON, DE PLASTIQUE, DE DÉCHETS, DE SULFURE ET DE CARBURANT DÉSACTIVERA LE CATALYSEUR DE POSTCOMBUSTION. ATTENTION : LE CATALYSEUR DE POSTCOMBUSTION EST FRAGILE, LE MANIPULER AVEC PRÉCAUTION. LA PERFORMANCE DU CATALYSEUR AINSI QUE SA DURÉE DE VIE N'ONT PAS ÉTÉ ÉVALUÉES POUR L'ATTRIBUTION DE LA CERTIFICATION. PIÈCES OBLIGATOIRES POUR L'INSTALLATION : GAINÉ DE CHEMINÉE HOMOLOGUÉE EN ACIER INOXYDABLE DE 5,5 PO (140mm) ou 6 PO (152mm). PIÈCE EN OPTION : VENTILATEUR PIÈCE N°172-917 CARACTÉRISTIQUES ÉLECTRIQUES : 115 VOLTS, 60 HZ, 0,6 AMPS. DANGER : RISQUE D'ÉLECTROCUTION. DÉBRANCHER LE COURANT AVANT DE PROCÉDER À L'ENTRETIEN DE L'APPAREIL. NE PAS RETIRER LES BRIQUES OU LE MORTIER DU FOYER EN MAÇONNERIE. À UTILISER AVEC UN COMBUSTIBLE SOLIDE EN BOIS SEULEMENT. NE PAS UTILISER DE GRILLE NI SURÉLEVER LE FEU. NE PAS CONNECTER CET APPAREIL À UN CONDUIT DE CHEMINÉE DESSERVANT UN AUTRE APPAREIL. FAIRE UN FEU DE BOIS DIRECTEMENT SUR L'ÂTRE. FAIRE FONCTIONNER L'APPAREIL AVEC LA PORTE DE CHARGEMENT FERMÉE, L'OUVRIR SEULEMENT POUR ALIMENTER LE FEU. REMPLACER LA VITRE SEULEMENT AVEC UNE VITRE EN CÉRAMIQUE (5MM). FAIRE INSPECTER ET RAMONER LA CHEMINÉE À INTERVALLES RÉGULIERS. ACCUMULATION RAPIDE DE CRÉOSOTE DANS CERTAINES CONDITIONS. NE PAS SURCHAUFFER : SI L'ENCASTRABLE EST ROUGEANT, L'APPAREIL SURCHAUFFE. ATTENTION : LES PIÈCES AMOVIBLES PEUVENT ENTRAÎNER DES BLESSURES. NE PAS FAIRE FONCTIONNER L'APPAREIL SI UNE OU PLUSIEURS PIÈCES ONT ÉTÉ ENLEVÉES.	
<b>ATTENTION / DANGER</b>	
	
HOT WHILE IN OPERATION DO NOT TOUCH, KEEP CHILDREN, CLOTHING AND FURNITURE AWAY. CONTACT MAY CAUSE SKIN BURNS. READ ABOVE INSTRUCTIONS.	
APPAREIL CHAUD LORSQU'IL FONCTIONNE. NE PAS TOUCHER. GARDER À DISTANCE DES ENFANTS, DES VÊTEMENTS ET DU MOBILIER. TOUT CONTACT PEUT CAUSER DES BRÛLURES. LIRE LES INSTRUCTIONS CI-DESSUS.	
FABRIQUÉ PAR : FPI FIREPLACE PRODUCTS INTERNATIONAL LTÉE. 6988 VENTURE ST. DELTA, BC V4G 1H4	
919-716b	

DATE OF MANUFACTURE / DATE DE FABRICATION  
 MADE IN CANADA / FAIT AU CANADA  
 2024 ○ 2025 ○ 2026 ○ 2027 ○ 2028 ○  
 JAN ○ FEB ○ MAR ○ APR ○ MAY ○ JUN ○ JUL ○ AUG ○ SEPT ○ OCT ○ NOV ○ DEC ○

With Standard Flue Adaptor



6" (152mm) Diameter  
STANDARD FLUE ADAPTOR

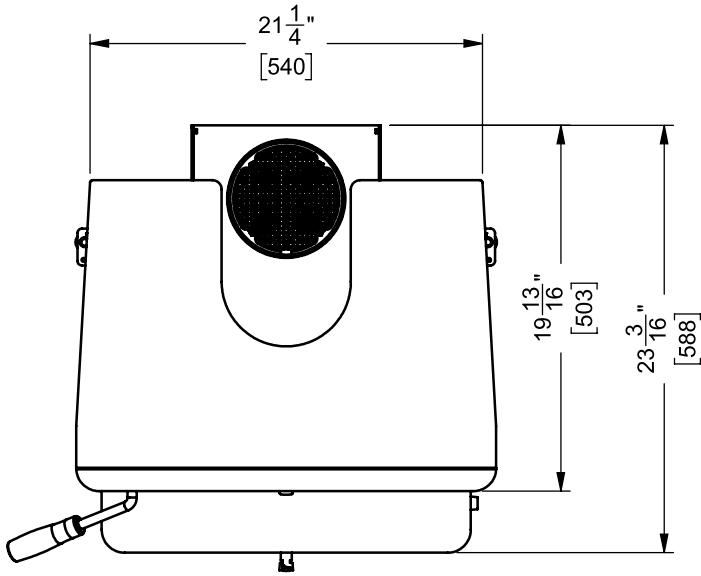


\*Measurement from back of faceplate to fuel door opening

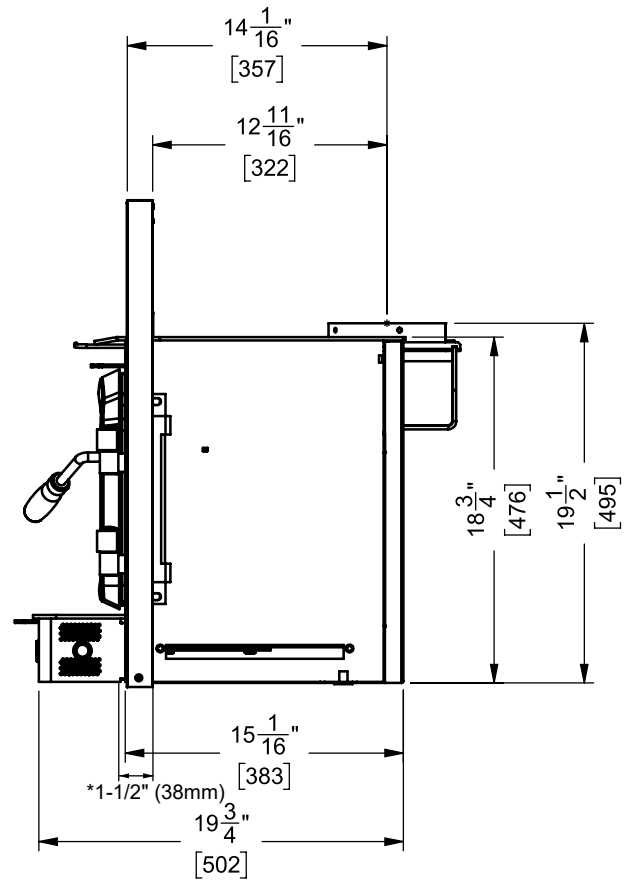
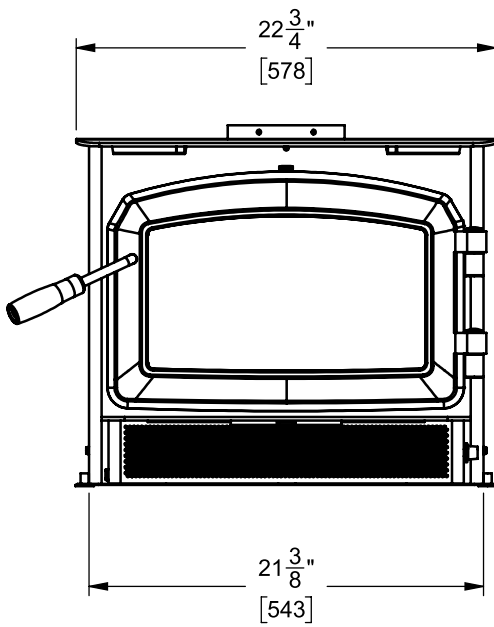
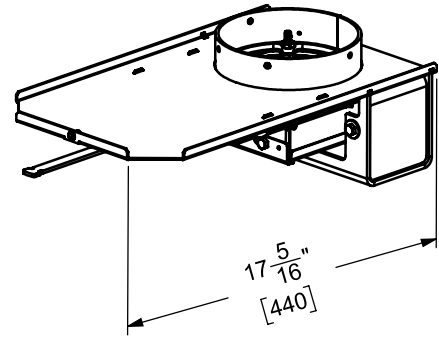
Regency Inserts are designed to use either a 5.5" (140mm) or 6" (152mm) flue.

6 | dimensions

With Offset Flue Adaptor



6" (152mm) Diameter  
OFFSET FLUE ADAPTOR



\*Measurement from back of faceplate to fuel door opening

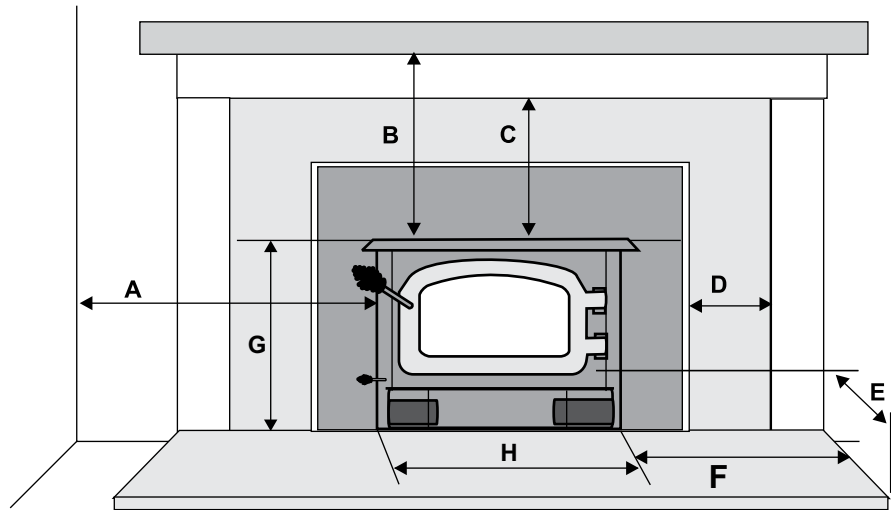
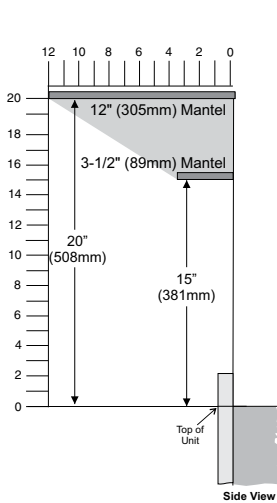
Regency Inserts are designed to use either a 5.5" (140mm) or 6" (152mm) flue.

## Masonry Fireplace Clearances

The minimum required clearances to combustible materials when installed into a masonry fireplace are listed below.

Unit	Adjacent Side Wall (to Side)	Mantel ** (to Top of Unit)	Top Facing (to Top of Unit)	Side Facing	Minimum Hearth Extension*	Minimum Hearth Side Extension*	To Top of Unit (Reference Dimension Only)	From Side Of Unit (Reference Dimension Only)
I1500	A	B	C	D	E	F	G	H
	15" (381mm)	15" (381mm) for 3-1/2" (89mm) mantel	14" (355mm)	1/2"(13mm) to side surround	16" (406mm) USA 18"(457mm) Canada	8" (203mm)	18-3/4" (476mm)	21-3/8" (476 mm)
		20" (508mm) for 12"(305mm) mantel						

Note: Side and Top facing is a maximum of 1.5" thick.



Clearance diagram for installations

### Clearances are critical.

\*\*Mantel can be installed anywhere in shaded area or higher using the above scale.

### \*Floor Protection

Thermal insulation/protection with a R value of 1.4 at a distance of 18" from door opening is required for Canada and 16" for USA.

If unit raised minimum 4.5" from hearth, no thermal protection is required.

Please check to ensure that your floor protection and hearth will meet the standards for clearance to combustibles. Your hearth extension must be made from a non-combustible material. Extending 16" for US and 18" for Canada—measured from the fuel loading door opening.

**F measurement (minimum hearth extension) is taken from the side of the appliance for both U.S.A/Canada.**

## Fireplace Specifications

Your fireplace opening requires the following minimum sizes:

Height:	19" (483mm)
Width:	23" (584mm)
Depth:	
(w/ standard flue adaptor)	13-3/4" (349mm)
(w/ offset flue adaptor)	16-1/2" (419mm)

Two faceplates are available to seal the fireplace opening:

Standard 38" (965mm)W x 26-3/8" (670 mm) H

Oversize 44" (1118mm) W x 30-3/8" (771mm) H

## How to Determine if Alternate Floor Protection Materials are Acceptable

All floor protection must be noncombustible (i.e. metals, brick, stone, mineral fiber boards, concrete board etc.). The noncombustible floor protection specified includes some form of thermal designation such as R-value (thermal resistance) or k-factor (thermal conductivity).

### Thermal Resistance: R Value

The R value is a measure of a material's resistance to heat transfer. R value is convenient when more than one material is used since you can add the R values together, whereas you cannot do this for k value. The HIGHER the R factor means less heat is being conducted through the non-combustible material to the combustible material beneath it. The R value of a material must be equal or larger than the required R value to be acceptable.

Example : The specified floor protector should be 3/8" (18mm) thick material with a K - factor of 0.84. The proposed alternative is 4" (100mm) brick with a C-factor of 1.25 over 1/8" (3mm) mineral board with a K-factor of 0.29.

#### Step (a):

Use formula above to convert specification to R-value.

$$R = 1/k \times T = 1/0.84 \times .75 = 0.893.$$

#### Step (b):

Calculate R of proposed system.

4" brick of C = 1.25, therefore

$$R_{\text{brick}} = 1/C = 1/1.25 = 0.80$$

1/8" mineral board of k = 0.29, therefore

$$R_{\text{min.bd.}} = 1/0.29 \times 0.125 = 0.431$$

$$\text{Total R} = R_{\text{brick}} + R_{\text{mineral board}} = 0.8 + 0.431 = 1.231.$$

#### Step (c):

Compare proposed system R of 1.231 to specified R of 0.893. Since proposed system R is greater than required, the system is acceptable.

### DEFINITIONS

Thermal Conductance:

$$C = Btu = W$$

$$(hr)(ft^2)(oF)(m^2)(K)$$

Thermal Conductivity:

$$k = (Btu)(inch) = W = Btu$$

$$(hr)(ft^3)(oF)(m)(K)(hr)(ft)(oF)$$

Thermal Resistance:

$$R = (ft^2)(hr)(oF) = (m^2)(K)Btu$$



## Installation Into a Masonry Fireplace

Regency inserts are constructed with the highest quality materials and assembled under strict quality control procedures that ensure years of trouble free and reliable performance.

It is important that you read this manual thoroughly and fully understand the installation and operating procedures. Failure to follow instructions may result in property damage, bodily injury or even death. The more you understand the way your Regency Insert operates, the more enjoyment you will experience from knowing that your unit is operating at peak performance.

**WARNING: The room heater shall not be installed in a factory-built fireplace.**

### Before Installing Your Insert

1. Read all instructions before installing and using your fireplace insert. Install and use only in accordance with manufacturer's installation and operating instructions.
2. Check your local building codes - Building Inspection Department. You may require a **permit before installing your insert. Be aware that local codes and regulations may override some items in the manual.**

**WARNING: Careless installation is the major cause of safety hazard. Check all local building and safety codes before installation of unit.**

3. Notify your home insurance company that you plan to install a fireplace insert.
4. Your fireplace insert is heavy and requires two or more people to move it safely. The insert and surrounding structure can be badly damaged by mishandling.
5. If your existing fireplace damper control will become inaccessible once you have installed your Regency Insert, you should either remove or secure it in the open position.
6. Inspect your fireplace and chimney prior to installing your insert to determine that it is free from cracks, loose mortar or other signs of damage. If repairs are required, they should be completed before installing your insert. Do not remove bricks or mortar from your masonry fireplace.
7. Do not connect the insert to a chimney flue servicing another appliance or an air distribution duct.

When referencing installation or connection to masonry fireplaces or chimneys, the masonry construction must or shall be code complying.

## Chimney Specifications

Before installing, check and clean your chimney system thoroughly. If in doubt about its condition, seek professional advice. Your Regency Insert is designed for installation into a masonry fireplace that is constructed in accordance with the requirements of "The Standard for Chimneys, Fireplaces, Vents, and Solid Fuel Burning Appliance", N.F.P.A. 211, the National Building Code of Canada, or the applicable local code requirements.

The appliance, when installed, must be electrically grounded in accordance with local codes or, in the absence of local codes, with the National Electrical Code, ANSI/NFPA 70, or the Canadian Electrical code, CSA C22.1.

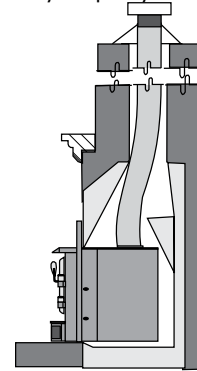
Regency Inserts are designed to use either a 5.5" (140mm) or 6" (152mm) flue.

**ULC628-2022 - Canada**  
**This fireplace insert must be installed with a continuous chimney liner of 5.5 or 6 inch diameter extending from the fireplace insert to the top of the chimney.**  
**The chimney liner must conform to the class 3 requirements of CAN/ULS-S635 Standard for lining systems for existing Masonry or factory built chimneys and vents or to the requirements of CAN/ULC-S640, Standard for lining systems for new masonry chimneys.**

**UL1482-2022 - U.S.A**  
**A chimney complying with the requirement for type HT chimneys in the standard for chimneys, factory built residential and building heating appliance UL103 or a code approved masonry chimney liner with a flue liner.**  
**This fireplace insert must be installed with a continuous chimney liner of 5.5 or 6 inch diameter extending from the fireplace insert to the top of the chimney.**  
**When this room heater is not properly installed, a house fire may result. To reduce the risk of fire follow the installation instructions. Contact local building or fire official as about restrictions and installation requirements in your area.**

## Draft

Draft is the force which moves air from the appliance up through the chimney. The amount of draft in your chimney depends on the length of the chimney, local geography, nearby obstructions and other factors. Too much draft may cause excessive temperatures in the appliance and may cause damage. An uncontrollable burn or excessive temperature indicates excessive draft. Inadequate draft may cause back puffing into the room and plugging of the chimney. Inadequate draft will cause the appliance to leak smoke into the room through appliance and chimney connector joints. Ensure the heater is installed in areas that are not too close to neighbors or in valleys that would cause unhealthy air quality or nuisance conditions.



Recommended chimney height from top of flue collar:  
 Minimum 15 feet (4.6 meters)

**NOTE**  
**If the fireplace has been modified to accommodate a fireplace liner, the installer is to attach the metal tag to the fireplace using screws or nails, in a location readily visible should the fireplace insert be removed.**  
**A metal tag is supplied with this wood insert.**

**IMPORTANT: Smoke and CO Detectors:**  
 Make sure your home has a working smoke and CO detector, especially near any bedrooms. We recommend having a smoke and CO detector in the same room as the wood appliance for additional safety. Location of both detectors should be chosen wisely to avoid false alarms when reloading the appliance.

**Fire Extinguisher:**  
 A fire extinguisher should be installed in the home. The location of the fire extinguisher should be known by all family members.

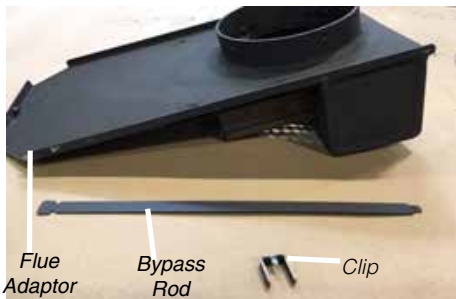
**Installing Your Insert**

**SAFETY NOTE:** The insert is very heavy and will require two people to move it into position. The door and bricks can be removed to help. Be sure to protect your hearth extension with a heavy blanket or cardboard during the installation.

**NOTE:** The unit requires to purchase either the standard or offset flue adaptor that is best suited for the specific installation.

**Flue adaptor contents:**

- Flue adaptor with catalyst cartridge housing installed
- Bypass rod
- Clip to secure the bypass rod

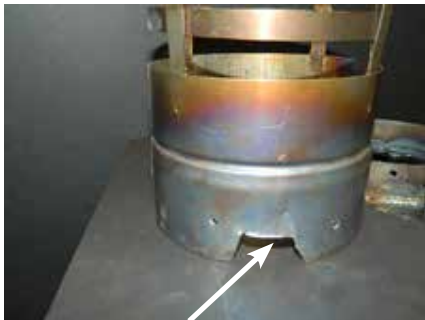


**NOTE:** The catalyst and the two bolts to secure the adaptor to the unit are packaged with the unit in the manual package.

**List of Tools required:**

- Tin snips
- Pull rod (supplied with unit)
- 1/2" socket / ratchet
- 3/8" open face wrench
- 7/16" socket/ratchet

1. Cut a notch into the adaptor approximately 3/4" high by 1" wide as shown. This is to accommodate the probe in the following steps.



2. Install flex liner into existing chimney as per liner manufacturer's specifications. Ensure that the notch on the adaptor cut in the previous step is pointed forward at about the 6 o'clock position. See Diagram 1.

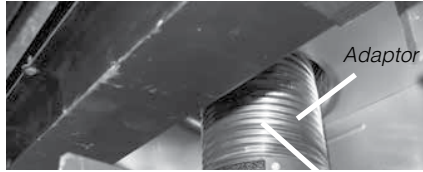
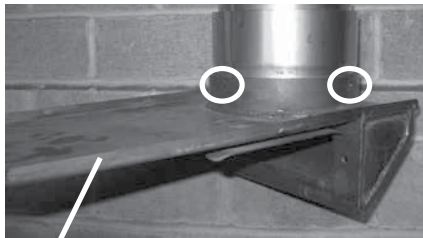


Diagram 1

3. Secure the adaptor to the flex liner with three screws. Ensure the adaptor is level and aligned correctly. See Diagrams 2 & 2A.



Flue Adaptor Diagram 2

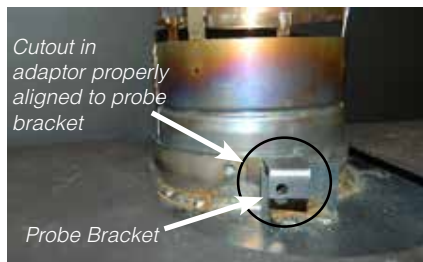


Diagram 2A

4. Fully insert the probe into the probe bracket as shown. See diagram 3.



Diagram 3

5. Install the unit by first setting the rear of the unit into the fireplace. See Diagram 4. Ensure that the unit is centered in the existing fireplace and lined up with the flue adaptor.

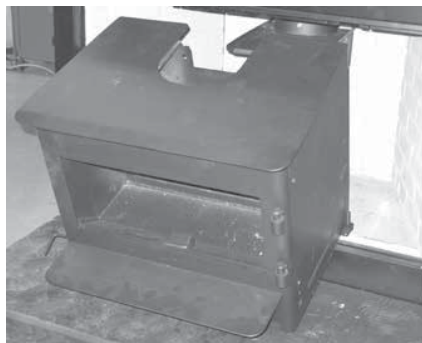


Diagram 4

6. Slide the unit back until the flue adaptor is slightly engaged. At this point it is recommended to level the unit. This will keep the adaptor from binding

7. Insert the provided pull rod through the hole in the top center of the unit. Secure the threaded end into the flue adaptor as shown in diagram 5. While sliding the unit into place pull on the rod to ensure that the flue adaptor is properly engaged. See Diagram 6. Double check the adaptor is seated properly and the pull rod in the firebox, locate the two holes lined up to the two holes on the adaptor. After sliding adaptor into position, make sure the flue adaptor is tight against the body, and no light is seen coming through between the adaptor and body of insert.

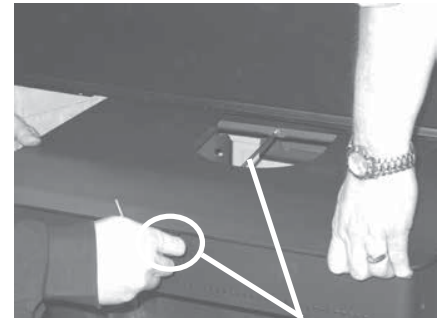
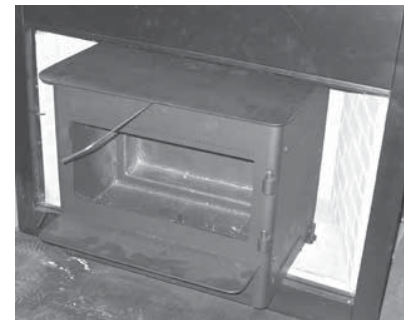


Diagram 5 Pull Rod



Pull Rod in place

Diagram 6

8. To complete the install, use the two bolts, washers and lock washers (supplied in manual pack) and install them, tighten down using the 1/2" socket to ensure the adaptor is positively secured to the unit. Once completed remove pull rod and place away for future re-install.

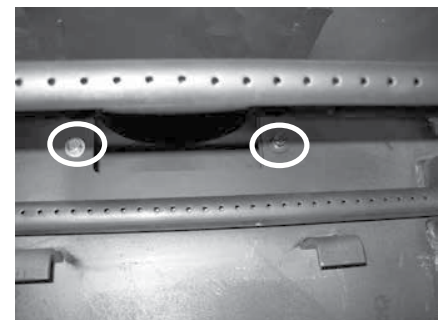
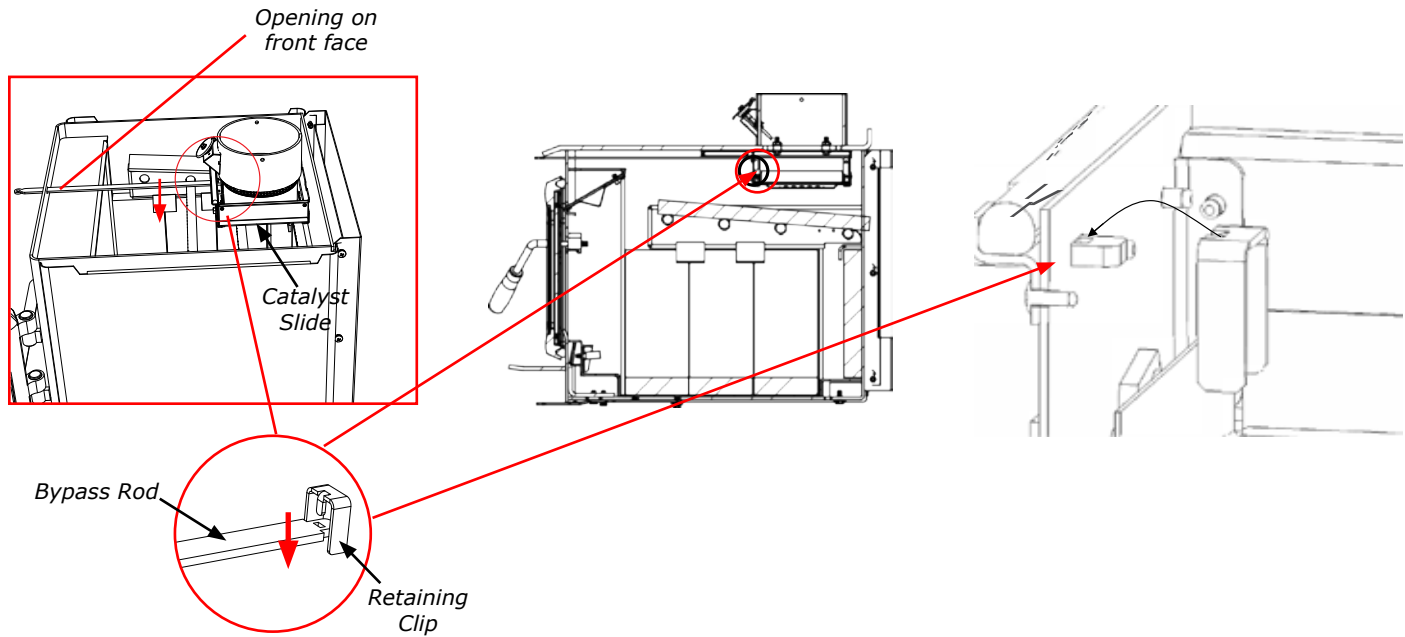


Diagram 7

## Bypass Rod/Retaining Clip Installation

1. Slide bypass rod into opening on front face as shown below. Note : The opening will be located directly above the door. Once bypass is slid all the way back into flue adaptor, secure with retaining clip as shown below.



Note: Unit in images may not be identical to the I1500—they depict the process.

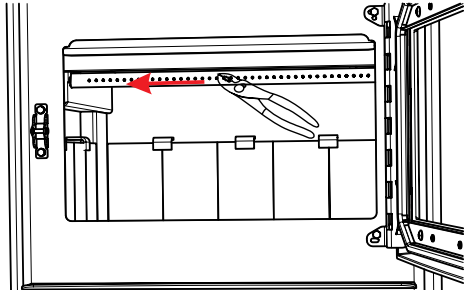
**Baffle/Catalyst Installation**

Note: unit in images may not be identical to the I1500—they depict the process.

1. Open the door.
2. Remove the front secondary air tube with pliers & hammer (hammer not shown) as shown below.

Note: Some force will need to be used by hammering onto the pliers to enable to unlock the air tube.

Note: It will be easier to remove the air tubes by removing both the bottom right base brick and right side wall brick.



3. Remove locking clip from the front face of the Catalyst assembly by sliding up and out.



4. Pull the flame shield forward and tilt down.



5. Take your new round catalyst and install it into the square support. See diagram below.



*Catalyst in Square Support*

6. Install catalyst and square support installed in previous step into the flue collar assembly as shown below.



*Catalyst*

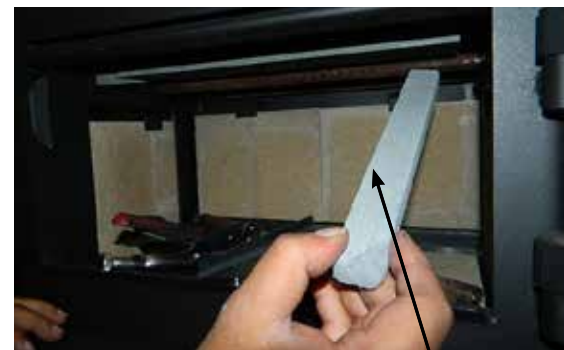
7. Repeat steps 3-4 to reinstall flame shield & locking clip.

8. Install the center baffle.



*Centre Baffle*

9. Install the right and left side baffles (right side baffle shown below).

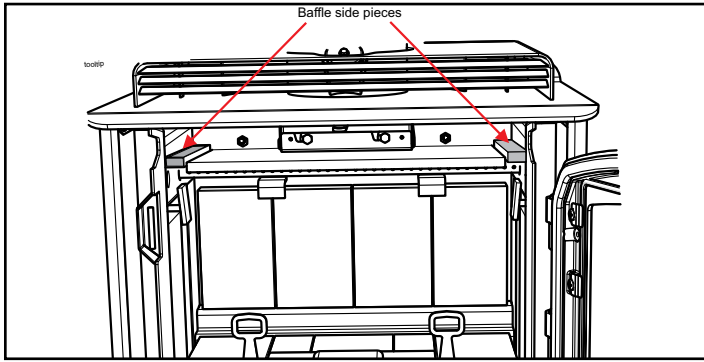


*Baffle Bracket*

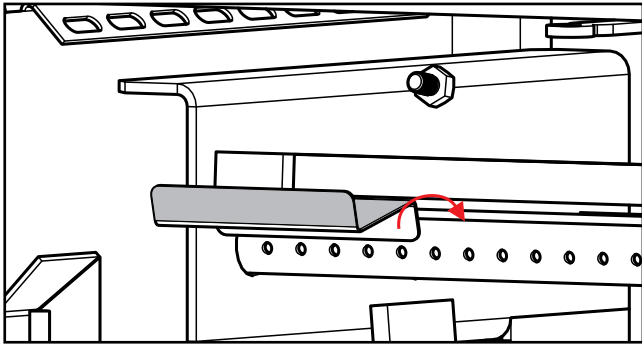
10. Install left and right baffle cover plate (installation of left baffle shown below).



*Baffle Cover Plate*

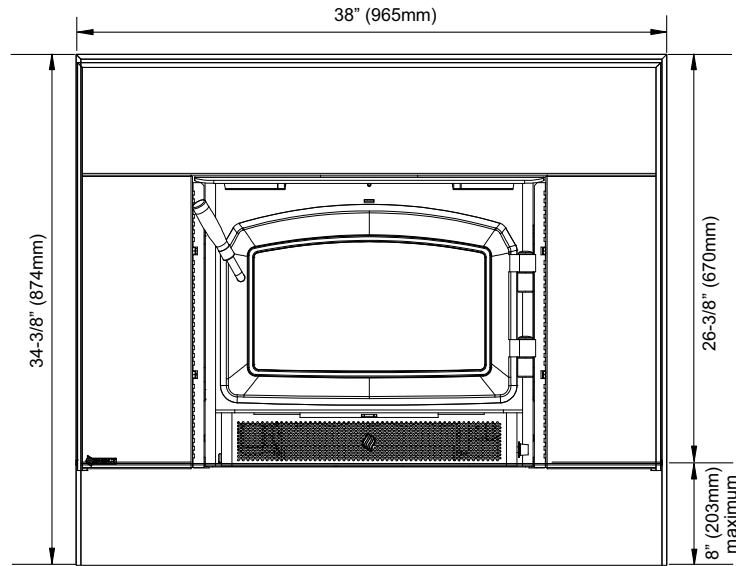


11. Reinstall air tube removed in step 2. Use pliers and a hammer to lock air tube back into place. Note: Ensure the key on the air tube lines up with the notch on the side air channel.
12. Install baffle brackets on either side by slightly lifting baffles up and placing brackets in between baffles and the front air tube. The baffle brackets hold the side and centre baffles in position. Installation of the left baffle bracket is shown below.

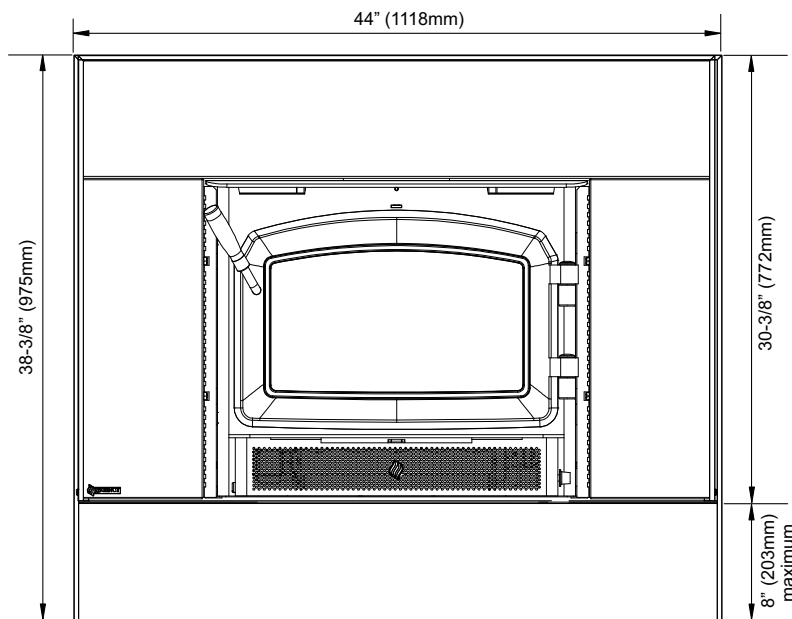


## Faceplate, Trim & Optional Bottom Faceplate & Fan Support Installation

**Regular Faceplate Dimensions** (shown with bottom faceplate/fan support attached):



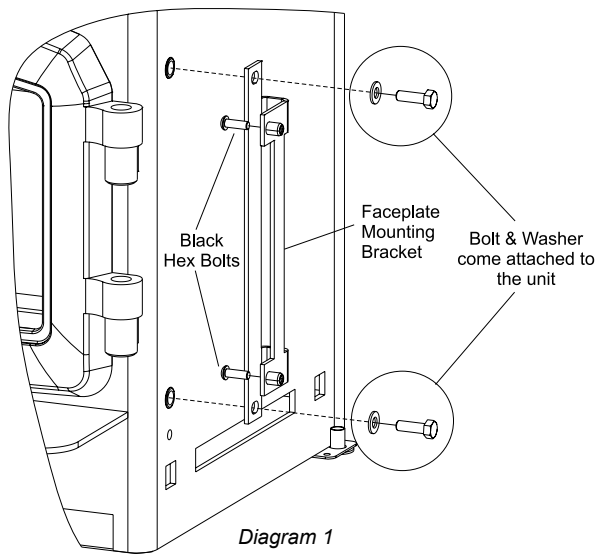
**Oversize Faceplate Dimensions** (shown with bottom faceplate/fan support attached):



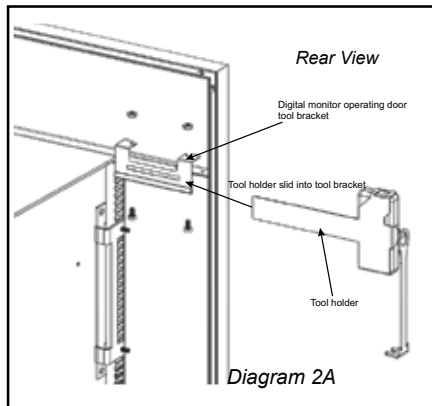
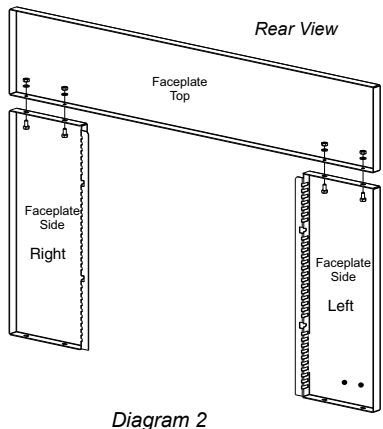
**Regular/Oversize Faceplate Installation:**

- 1) Thread the black 1/4" x 3/4" long hex bolts into the faceplate mounting bracket as shown in Diagram 1, leaving them approximately 1/4" out.
- 2) Fasten the faceplate mounting bracket to the side of the insert using 2 bolts for the top and bottom, see Diagram 1. Repeat for other side.

**NOTE:** The bolt and washer come attached to the side of the insert and need to be removed and reused for fastening.

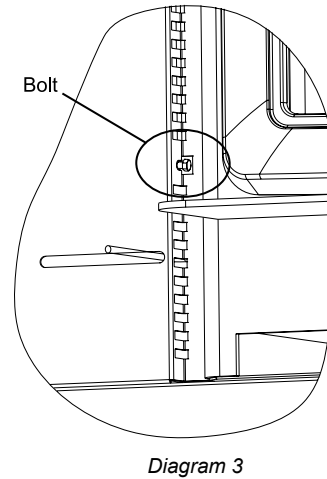


- 3) Assemble the faceplate sides and top using the 1/4" x 1/2" long hex bolts, lock washers, and nuts provided. Do not tighten. See Diagram 2.  
I1500s only: Install Digital Monitor Operating Tool Bracket as shown. See diagram 2A. Tighten all of the bolts. The tool holder can then be slid into the tool bracket as shown.

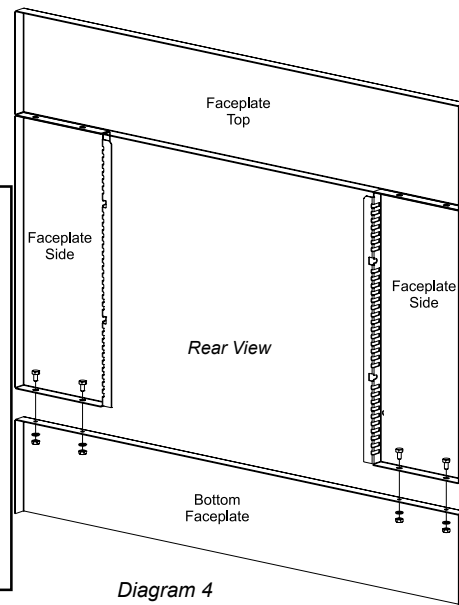


**Optional Regular/Oversize Bottom Faceplate Installation:**

- 4) Position the assembled faceplate side and top to the insert. Ensure to align the draft rod into the opening of the faceplate as well as the side faceplate slots with the bolts in the mounting brackets as shown in Diagram 3.



- 5) Measure the height between the hearth and the bottom of the side faceplate.
- 6) Cut the bottom faceplate to the measured height using a metal cutting blade.
- 7) Remove the faceplate assembly from the insert and attach the cut bottom faceplate to the faceplate sides using the 1/4" x 1/2" long hex bolts, lock washers and nuts provided as shown in Diagram 4.



**If the insert is going to sit on the hearth proceed to "Faceplate Trim Installation" (step 8) otherwise continue on to "Bottom Faceplate Installation" (step 4).**

**Regular/Oversize Faceplate Trim Installation:**

*(Black Trim included with Regular/Oversize Faceplate or Bottom Faceplate)*

- 8) Assemble the left and right side trim to the top trim using the trim clips provided as shown in Diagram 5.

**NOTE:** When using the optional bottom faceplate kit (part #171-928 for Regular or 171-930 for Oversize), the kit contains 2 long right/left black trims. These will need to be cut to size depending on the overall height of the faceplate prior to assembling the trims. Use a hack saw with a fine blade or cut off saw to cut the ends of the black trim. The right/left black trim that were supplied with the regular/oversize faceplate can be recycled as it is not required.

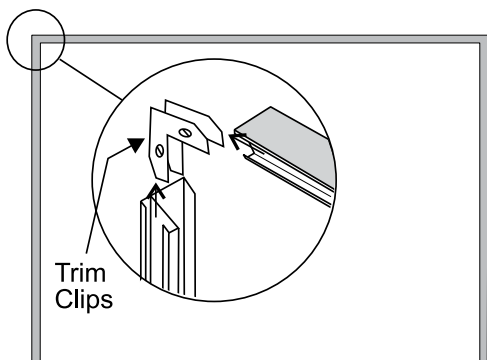


Diagram 5

- 9) Fit the trim assembly over the faceplate assembly. See Diagram 6.

- 10) Drill two 5/32" diameter holes through the trim and side panels and screw the trim to the panels using the self tapping screws provided as shown in Diagram 6.

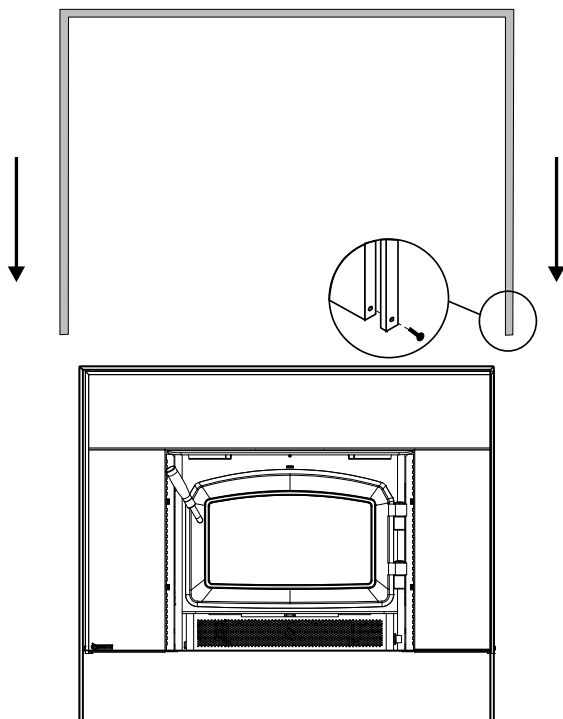


Diagram 6:  
Shown with Optional Bottom Faceplate

- 11) Mount the completed faceplate / trim assembly to the insert. Ensure to align the side faceplate slots with the hex bolts in the mounting brackets and tighten to secure in place. Secure the Regency logo plate to the bottom of the faceplate.

**Fan Installation:**

- 12) Install the fan assembly to the ash lip of the insert as shown in Diagram 7.

- a) Align the fan with the offset clips on the bottom of the ash-lip.
- b) Slide the supports into the clips. The tension holding the clips in place may be adjusted by increasing or decreasing the offset spacing of the clips.
- c) Ensure that the power cord is not in contact with any hot stove surfaces.

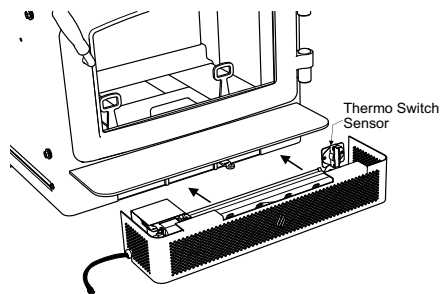


Diagram 7

**Optional Fan Support / Bottom Faceplate Installation:**

- 13) To install the optional fan support, measure the distance between the hearth and the bottom surface of the fan housing as shown in Diagram 8.

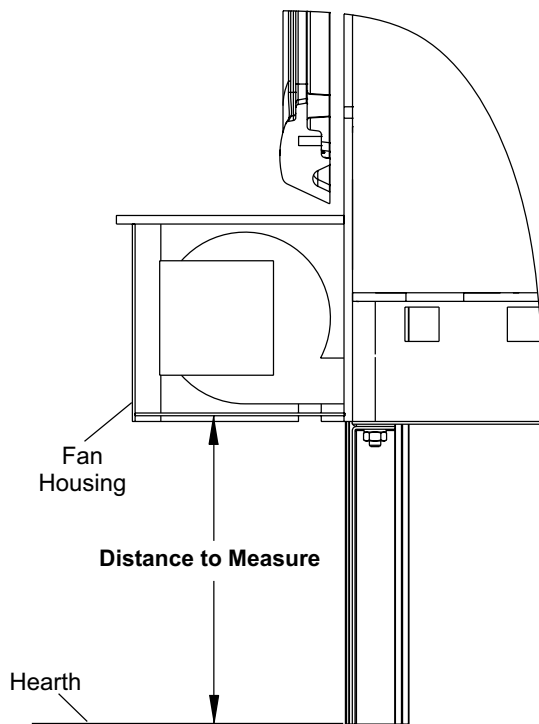


Diagram 8: Side View



- 14) Cut the bottom edge of the fan support and bottom faceplate (using a metal cutting blade) to the length measured in step 13.
- 15) Remove the fan assembly from the ash lip of the insert and position the fan support to the bottom of the fan assembly.
- 16) Drill 4 x 5/32" holes to the underside of the fan assembly using the holes in the fan support as a guide. See Diagram 9.
- 17) Secure the fan support to the fan assembly using 4 self tapping screws. See Diagram 9.

- 18) Secure the bottom faceplate to the 3-sided faceplate using the 4 supplied bolts/washers.
- 19) Discard both side trims that were included with the regular/oversize faceplate and replace with the new extended trims supplied with the fan support/bottom faceplate. Cut to desired length.
- 20) Fit the trim assembly over the faceplate assembly. See Diagram 6.
- 21) Drill two 5/32" diameter holes through the trim and side panels and screw the trim to the panels using the self tapping screws provided as shown in Diagram 6.
- 22) Re-attach the fan/fan support assembly to the ash lip of the insert.

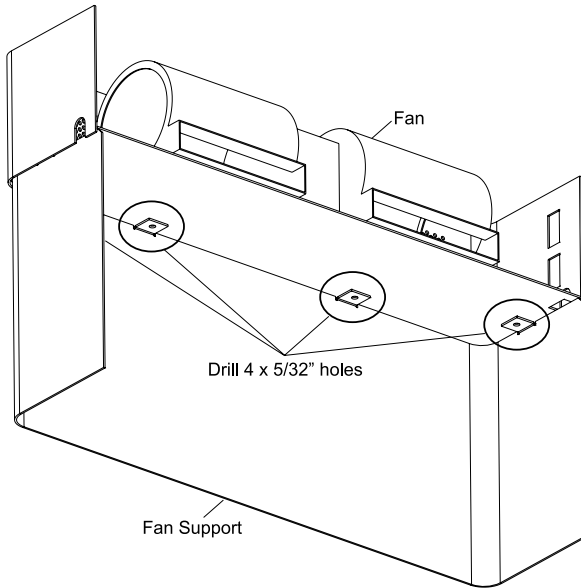
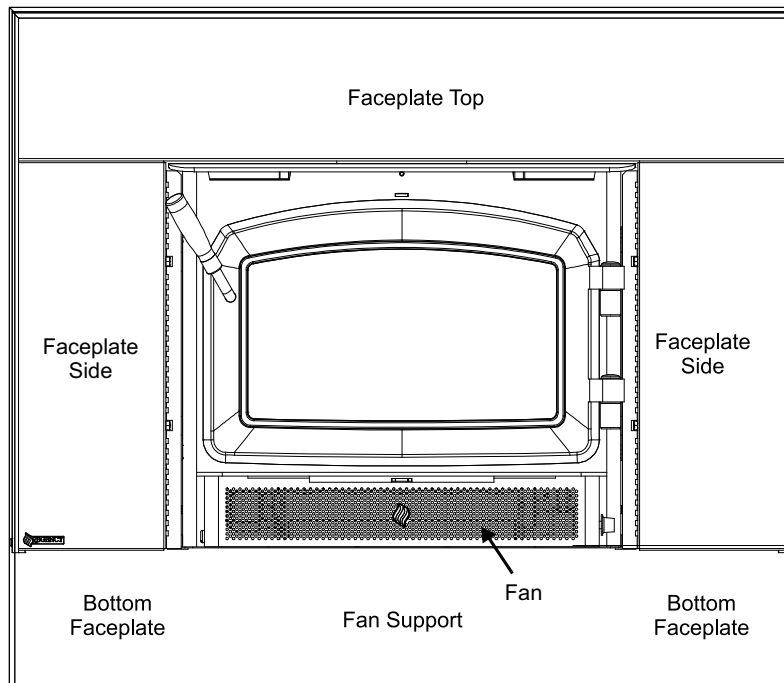


Diagram 9: Rear / Bottom View  
 Note: Fan not exactly as shown

**Completed Faceplate Assembly**



**Fan / Blower**

The fan should only be installed once the unit is in place in order to prevent any damage to the fan.

**Installer:** Please record unit serial number here before installing blower.

Serial No. \_\_\_\_\_

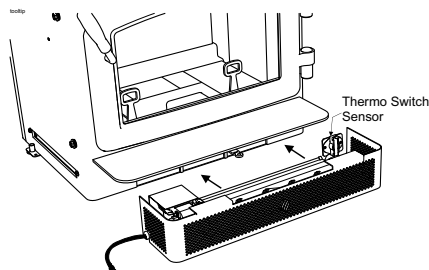
Fan assembly for use only with the room heater marked to indicate such use.

**FAN INSTALLATION  
(120V FAN)**

Your fan should only be installed once the unit is in place in order to prevent any damage to the fan.

- 1) Align the fan support with the offset clip on the bottom of the ashlip.
- 2) Slide the supports into the clips. The tension holding the clips in place may be adjusted by increasing or decreasing the offset spacing of the clips.
- 3) Ensure that the power cord is not in contact with any hot stove surfaces.

**WARNING: FAN ASSEMBLY MUST BE DISCONNECTED FROM THE SOURCE OF ELECTRICAL SUPPLY BEFORE ATTEMPTING THE INSTALLATION.**



**FAN OPERATION**

The fan is controlled by a rheostat which allows control of the heat output.

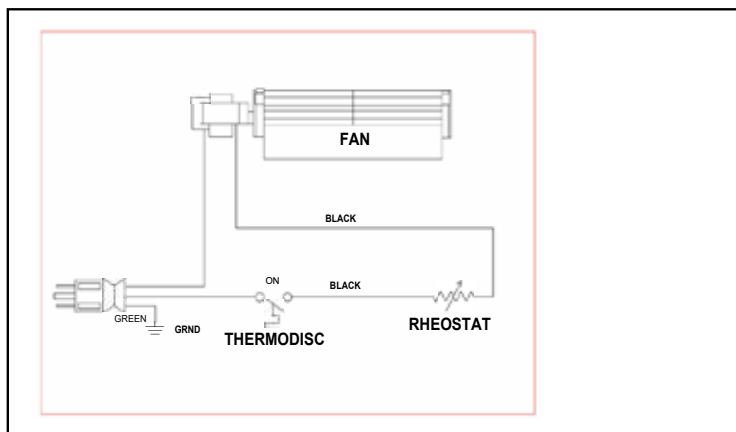
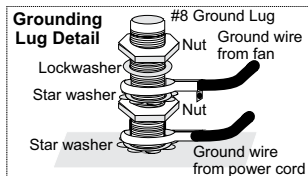
The fan will turn on as the stove has come up to operating temperature. It will also shut the fan system off after the fire has gone out and the unit cooled to below a useful heat output range.

If the fan cycles on and off continuously the thermo switch sensor is not making contact with the stove body. Remove the fan, bend the bracket closer to the stove and re-install the fan.

The fan is to be operated in the <LOW> position when burning in the LOW - MED LOW heat output setting and on <HIGH> when burning in the MED-HIGH settings.

**WARNING: Electrical Grounding Instructions**  
 This appliance is equipped with a three pronged (grounding) plug for your protection against shock hazard and should be plugged directly into a properly grounded three-prong receptacle. Do not cut or remove the grounding prong from this plug.

**CAUTION: Label all wires prior to disconnection when servicing controls. Wiring errors can cause improper and dangerous operation.**



*Wiring Diagram*

## Brick Installation

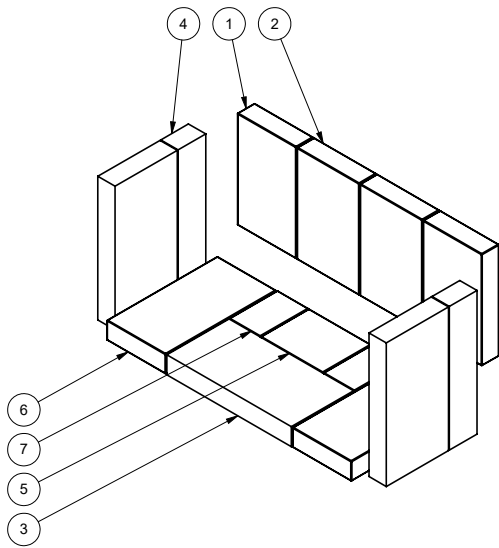
Firebrick is included to extend the life of your stove and radiate heat more evenly. Check to see that all firebricks are in their correct positions and have not become misaligned during shipping. Install all firebricks (if bricks were removed at install) per the diagram below and place in their correct positions. Do not use a grate.



LyTherm sheet

Order of firebrick install:

- a) Rear Firebrick
- b) Firebox floor - install brick over LyTherm Sheet
- c) Right and left side Firebricks

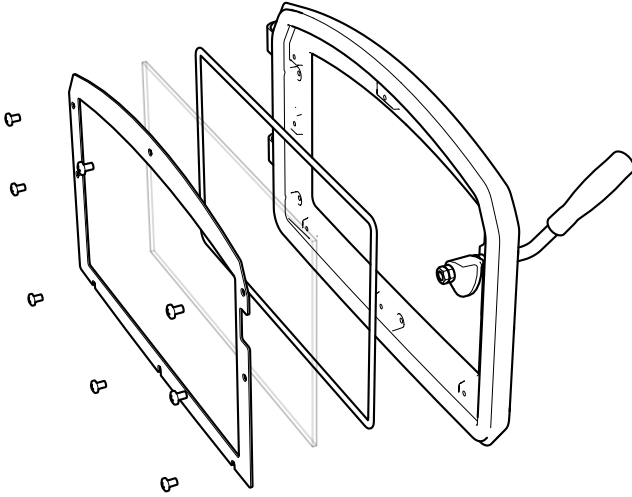


Fire bricks	
#	Size
1	4-1/4" x 7"
2	4-1/2" x 7"
3	9" x 4-1/2"
4	9" x 2"
5	3-1/2" x 4-1/2"
6	4-1/4" x 8"
7	3-1/2" x 2-1/4"

### **Glass Replacement**

Your Regency stove is supplied with 5 mm Neoceram ceramic glass that will withstand the highest heat that your unit will produce. In the event that you break your glass by impact, purchase your replacement from an authorized Regency dealer only.

Remove the door from the stove and remove the screws securing the glass retainer. Position the glass in the door, make sure that the glass gasketing will properly seal your unit, and replace the retainer, it should rest on the gasket not the glass. Tighten securely, but do not wrench down on the glass as this may cause the glass to break.



## Wood Door & Handle Assembly

1. In preparation of installing the door handle, the nuts, cam, washers and spacer must be removed as shown in Diagram 1.

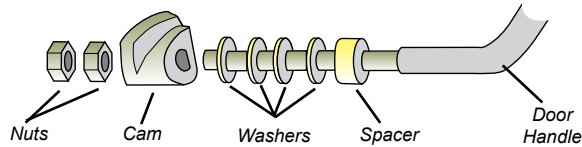


Diagram 1

### LATCH ADJUSTMENT

The door latch may require adjustment as the door gasket material compresses over time. Removal of 1 or 2 washers will allow the latch to move closer to the door frame, causing a tighter seal. (Refer to Diagram 1)

2. Place the door onto the hinges and then place the door handle through the opening on the door, as shown in Diagram 2.

Re-assemble and secure the door handle components in reverse order as removed in step 1, refer to Diagram 1.

3. Put the hinge cover caps on top of hinges to complete the door installation.

**Note:** The bottom of the door may scrape the ashlip. In this case place the spacers provided on the door hinges of the unit before placing the door.

4. Close door and ensure there is a tight seal. If door is too tight, a washer can be added. If the door is not creating a tight seal, a washer can be removed. Recheck door to ensure there is still a tight seal. Repeat steps if door seal is still not tight until a tight seal has been achieved. The handle should be approximately in the 8 o'clock position when door is fully closed. (Diagram 3)

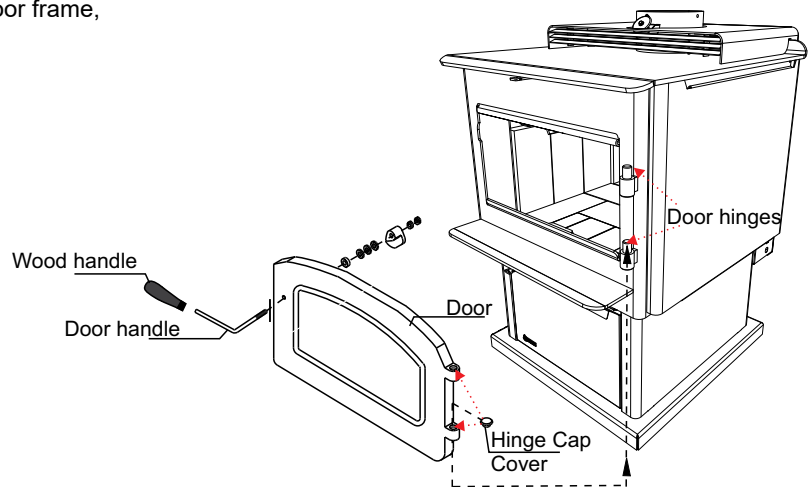


Diagram 2

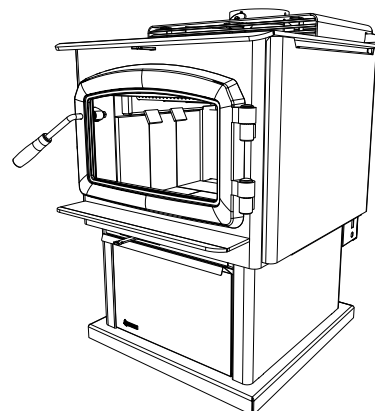
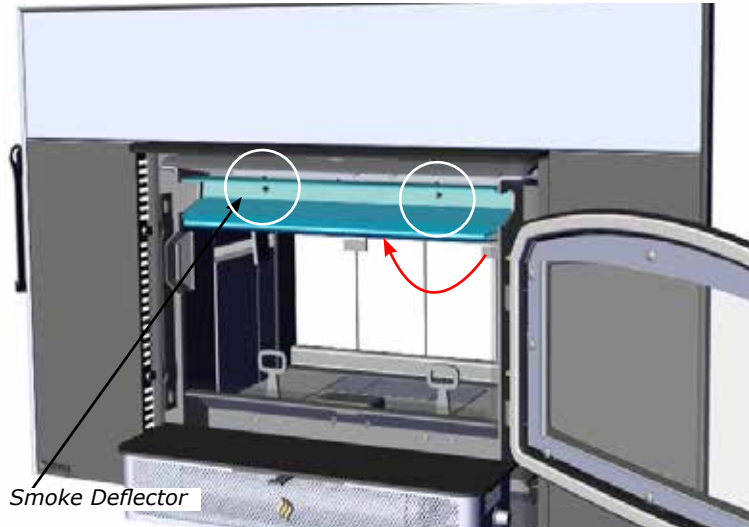


Diagram 3

## Stainless Steel Smoke Deflector Installation

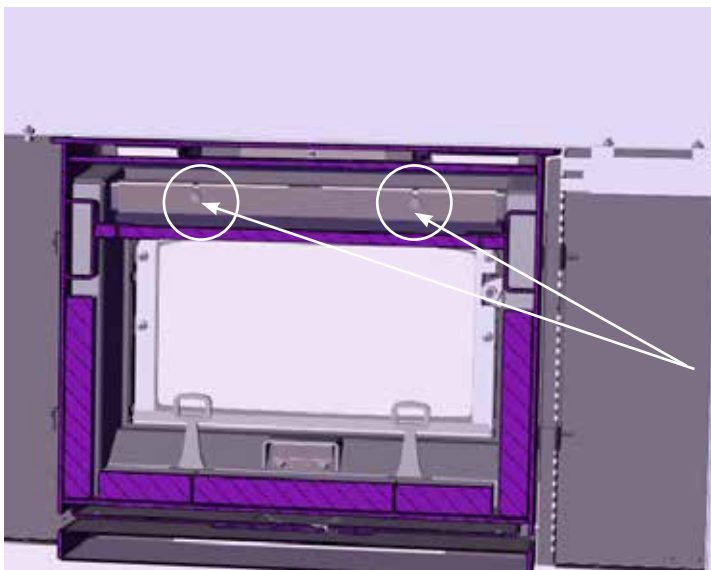
The stainless smoke deflector is located in the upper front area of the firebox. The deflector is held in place with 2 bolts. Prior to the first fire, ensure deflector is seated properly and secured with 2 hand tightened bolts which are accessible from behind the smoke deflector.



Smoke deflector is installed through the door opening in location shown in diagram

To replace the deflector, loosen off both bolts and slide deflector downward, push deflector to the back wall of the unit and manoeuver out. Install new deflector and hand tighten bolts. Ensure positive location of the deflector prior to hand tightening.

**WARNING:** Operation of the unit with out proper installation of smoke deflector will void warranty.



Ensure deflector is seated so bolts are seated at the bottom of the slot before tightening.

Smoke deflector installed with 2 bolts.

**Note:** This is a cutaway view from the back of the unit

## Seasoned Wood

Whether you burn wood in a fireplace, stove or insert, good quality firewood is the key to convenience, efficiency and safety. Wet wood and pieces that are not the right size and shape for your wood burner can be frustrating, burn inefficiently and deposit creosote that can fuel a dangerous chimney fire. Good planning, seasoning and storage of the firewood supply are essential to successful wood burning.

- Stack the wood in separate rows in an open location where the summer sun can warm it and breezes can carry away the moisture. Do not stack unseasoned wood tightly in an unvented storage area.
- Do not allow firewood to lie on the ground for more than a couple of days before stacking. Mould and rot can set in quickly.
- Stack the wood up off the ground on poles, lumber rails or pallets.
- The top of the pile can be covered to keep off rain, but do not cover the sides.

Softer woods like pine, spruce and poplar/aspens that is cut, split and stacked properly in the early spring maybe be ready for burning in the fall. Extremely hard woods like oak and maple, and large pieces of firewood, may take a minimum of a full year to dry enough. Drying may also take longer in damp climates

There are a few ways to tell if wood is dry enough to burn efficiently. Use as many indicators as possible to judge the dryness of the firewood your are considering. Here are ways to judge firewood moisture.

- Using a moisture meter, select the species of fuel and then penetrate the pins into a split piece. Ideal moisture and seasoned firewood should be less than 20% moisture content.
- Checks or cracks in the end grain can be an indication of dryness, but may not be a reliable indicator. Some wet wood has checks and some dry wood has no checks.
- The wood tends to darken from white or cream colour to grey or yellow as it dries.
- Two dry pieces banged together sound hollow; wet pieces sound solid and dull.
- Dry wood weighs much less than wet wood.
- Split a piece of wood. If the exposed surface feels damp, the wood is too wet to burn.

## Bypass Operating Handle/Monitor

The I1500 is supplied with an air and bypass operating handle. The handle is used to open and close the by-pass and to adjust the air control for the desired heat output.

Install the operating handle storage bracket on the top left side of the faceplate. Loosen the two 7/16" bolts and slide bracket in and tighten. This bracket can also be used for the digital catalytic monitor. Diagrams below show catalyst monitor and bracket already installed.



*Loosen these two bolts and slide in the bracket.*



*Air and Bypass operating handle/monitor storage.*

## Operating Instructions

With your unit now correctly installed and safety inspected by your local authority, you are now ready to start a fire. Before establishing your first fire, it is important that you fully understand the operation of your Catalytic combustor and draft control.

**WARNING**

**Fireplace Stoves equipped with doors should be operated only with doors fully closed. If doors are left partly open, gas and flame may be drawn out of the fireplace stove opening, creating risks from both fire and smoke.**

## Draft Control

Both the primary and air wash drafts are controlled by the control slide located on the front left side of the unit. To increase your draft - slide to the left to open, and to decrease - slide to the right to close. The I1500 unit has a secondary draft system that continually allows combustion air to the induction ports at the top of the firebox, just in front of the catalytic combustor.

Draft is the force which moves air from the appliance up through the chimney. The amount of draft in your chimney depends on the length of the chimney, local geography, nearby obstructions and other factors. Too much draft may cause excessive temperatures in the appliance and may damage the catalytic combustor. Inadequate draft may cause back puffing into the room and plugging of the chimney or catalyst.



**WARNING: To build a fire in ignorance or to disregard the information contained in this section can cause serious permanent damage to the unit and void your warranty!**

## First Fire

When your installation is completed and inspected you are ready for your first fire.

**THIS UNIT IS DESIGNED TO BURN SEASONED CORDWOOD ONLY. COAL, BRIQUETTES AND ALL OTHERS LISTED ON PAGE 2 ARE NOT APPROVED. SEASONED CORDWOOD SHOULD BE LESS THAN 20% MOISTURE CONTENT.**

### START UP AND OPERATING PROCEDURES:

1. For the first few days, the wood insert will give off an odour from the paint. This is to be expected as the high temperature paint becomes seasoned. Windows and/or doors should be left open to provide adequate ventilation while this temporary condition exists. Burning the wood insert at a very high temperature the first few times may damage the paint. During the first few fires, keep the combustion rate at a moderate level and avoid a large fire. Only after 5 or 6 such fires can you operate the wood insert at its maximum setting, and only after the metal has been warmed.
2. Do not place anything on the wood insert top during the curing process. This may result in damage to your paint finish.
3. When starting the fire, ensure the bypass is in the fully open position (pulled out) and air control is in the fully open position (far left). Crumble 2-5 pieces of newspaper and add approx. 1-1.5lb of kindling stacked in a manner that allows air flow on the firebrick hearth (Teepee style or other). **DO NOT USE A GRATE TO ELEVATE THE FIRE.** Light the newspaper and adjust the door if it is slightly ajar for less smoke roll out. Keep the door in that position for 2-3 minutes to establish a good fire.
4. Add additional 1lb of kindling along with few pieces of start up cord wood (startup cordwood is slightly larger than kindling but not full pieces of cordwood). Close the door and establish flame for 2-3 minutes.
5. Once flame has been established, open the door and add another 2-3lbs of start up cordwood. Hold door slightly ajar for 30-60 sec to establish flame, and then close the door and bypass.
6. After 5-10 minutes, go ahead and add another 2lbs of startup fuel and establish flame and close the door.
7. Once this has burned down, open the door and the bypass, and rake the coals to create a uniform charcoal bed. Load 3-5 pcs of 16" long cordwood, East-West orientation, with the heaviest pieces at the back of the firebox, and ensure all pieces are behind the log retainers. Once loaded, close the door right away and bypass. Burn on high setting (air control to the far left when facing the unit) for 10-15 minutes. After the 10-15 minutes, adjust the air control to your desired position.

**CAUTION: Never leave unit unattended if door is left open. This procedure is for fire start-up only, as unit may overheat if door is left open for too long.**

**NOTE:** These steps are crucial to ensure proper charcoalization and coal bed prior to loading High, Med and Low fire loads.

After the 10-15 minutes, adjust the air control to your desired position.

High Fire: Air control to far left.  
Low Fire: Air control to far right.

8. **IMPORTANT:** The temperature in the wood insert and the gases entering the combustor must reach between 500°F - 700°F for catalytic activity to start. From the start up of a cold wood insert, a medium to high firing rate must be maintained for 30 min. This ensures that the wood insert, catalyst and fuel are all stabilized at proper operating temperatures. Even though it is possible to have temperatures at 600°F within minutes after a fire has been started, if the fire is allowed to die down immediately it may go out or the combustor may stop working. Once the combustor starts working, heat generated in it by burning the smoke will keep it working. During re-fueling and rekindling of the cool fire, or a fire that has burned down to the charcoal phase, operate the wood insert at a medium to high firing rate for about 10 minutes to ensure that the catalyst reaches operating temperatures.

**WARNING: Never build a roaring fire in a cold wood insert. Always warm your wood insert up slowly!**

9. When re-fueling, always open by-pass control, and primary air damper, load fuel, then wait for at least 10-15 minutes before closing the by-pass. Reason for the 10-15 min. is the fresh fuel and the opening of the door will cause the catalyst to drop in temperature as well as the moisture within the wood which is the first thing to be released. This will also minimize any smoking (spilling) back into the room.
10. During the first few days it may be more difficult to start the fire. As you dry out your firebrick and your masonry flue, your draft will increase.
11. For those units installed at higher elevations or into sub-standard masonry fireplaces, drafting problems may occur. Consult an experienced dealer or mason on methods of increasing your draft.
12. Some cracking and popping noises may be experienced during the heating up process. These noises will be minimal when your unit reaches temperature.
13. All fuel burning appliances consume oxygen during operation. It is important that you supply a source of fresh air to your unit while burning. A slightly opened window is sufficient for the purpose. If you also have another fireplace in your home, a downdraft may be created by your Regency wood insert causing a draft down your chimney. If this occurs, slightly open a window near your unit.

**CAUTION: If the body of your wood insert, or any part of the chimney connector starts to glow, you are over firing. Stop loading fuel immediately and close the draft control until the glow has completely subsided.**

14. Green or wet wood is not recommended for your unit. If you must add wet or green fuel, open the draft control fully until all moisture has been dispersed by the intense fire. Once all moisture has been removed, the draft control may be adjusted to maintain the fire.



15. The controls of your unit or the air supply passages should not be altered to increase firing for any reason.

16. If you burn the unit too slowly or at too low a setting your unit will not be operating as efficiently as it can. An easy rule of thumb says that if your glass is clean, catalytic thermostat is active, then your flue is clean and your exhaust is clean. Burn the stove hot enough to keep your glass clean and catalytic combustor, you won't need to clean your flue as often.

## Fan Operation

### Automatic

To operate the fan - turn on the rheostat.

This will allow the fan to turn on as the stove has come up to operating temperature. It will also shut the fan system off after the fire has gone out and the unit cooled to below a useful heat output range.

Operate the fan in the low speed position when burning in the LOW-MED LOW heat output ranges and operate in the high setting for MED-HIGH to HIGH heat outputs.

Route power cord to either left or right behind unit.

## Ash Disposal

During constant use, ashes should be removed every few days. The Ash Drawer option features a convenient ash dump for easy removal of ash, refer to Modular Installation Options section.

Ashes should be placed in a metal container with a tight-fitting lid. The closed container of ashes should be placed on a noncombustible floor or on the ground, well away from all combustible materials, pending final disposal. If the ashes are disposed of by burial in soil or otherwise locally dispersed, they should be retained in the closed container until all cinders have thoroughly cooled. "

## Safety Precautions

1. Do not allow ashes to build up to the loading doors! Only remove ashes when the fire has died down. Even then, expect to find a few hot embers.
2. Please take care to prevent the build-up of ash around the start-up air housing located inside the stove box, under the loading door lip.
3. Never start a fire if the ash plug and ash drawer are not in place. This will cause over firing which can cause excessive warping of the stove. Evidence of over firing can void the warranty on your stove.
4. The firebricks are brittle and can be damaged if the plug is replaced carelessly or pieces that are too large are forced through the hole.

## Safety Guidelines and Warnings

### CAUTION: DO NOT USE CHEMICALS FOR FLUIDS TO START FIRE.

1. **CAUTION:** Never use gasoline, gasoline type lantern fuels, kerosene, charcoal lighter fuel, or similar liquids to start or 'freshen up' a fire in your heater. Keep all such liquids well away from the heater while it is in use.
2. Keep the door closed during operation and maintain all seals in good condition.
3. Do not burn any quantities of paper, garbage, and never burn flammable fluids such as gasoline, naphtha or engine oil in your stove.
4. If you have smoke detectors, prevent smoke spillage as this may set off a false alarm.
5. Do not overfire heater. If the chimney connector, flue baffle or the stove top begin to glow, you are over firing. Stop adding fuel and close the draft control. Over firing can cause extensive damage to your stove including warping and premature steel corrosion. Over firing will void your warranty.
6. Do not permit creosote or soot build-up in the chimney system. Check and clean chimney at regular intervals. Failure to do so can result in a serious chimney fire.
7. Your Regency stove can be very hot. You may be seriously burned if you touch the stove while it is operating, keep children, clothing and furniture away. Warn children of the burn hazard.
8. The stove consumes air while operating, provide adequate ventilation with an air duct or open a window while the stove is in use.
9. Do not connect this unit to a chimney flue serving another appliance.
10. Do not use grates or andirons or other methods for supporting fuel. Burn directly on the bricks.
11. Open the draft control fully for 10 to 15 seconds prior to slowly opening the door when refuelling the fire.
12. Do not connect your unit to any air distribution duct.
13. This heater is designed to burn natural wood only. Higher efficiencies and lower emissions generally result when burning air dried seasoned hardwoods, as compared to softwoods or to green or freshly cut hardwoods.
14. In the event of component failure, replace parts with only Regency listed parts.
15. Warning: do not abuse glass door such as striking or slamming shut.

16. Do not store any fuel closer than 2 feet from your unit. Do not place wood, paper, furniture, drapes or other combustibles near the appliance.

17. **WARNING: Do not operate without either the Ash Plug properly seated or the Ash Dump Plates screwed in place, excessive temperatures will result.**

18. **CAUTION: Do not operate with cracked/ broken, plugged, or glazing catalyist.**

**IMPORTANT:**  
It is against federal regulation to operate this wood heater in a manner inconsistent with the operating instructions in this manual, or if the catalytic element is deactivated or removed.

**CAUTION: HOT WHILE IN OPERATION. KEEP CHILDREN, CLOTHING AND FURNITURE AWAY. CONTACT MAY CAUSE SKIN BURNS.**

**DO NOT BURN:**

- Treated wood
- Coal
- Garbage
- Cardboard
- Solvents
- Colored Paper
- Trash
- Salt drift wood
- Cut lumber, plywood, mill ends.

Burning treated wood, garbage, solvents, colored paper or trash may result in release of toxic fumes and may poison or render ineffective the catalytic combustor. Burning coal, cardboard, or loose paper can produce soot, or large flakes of char or fly ash that can coat the combustor, causing smoke spillage into the room, and rendering the combustor ineffective.

**CAUTION: DO NOT BURN GARBAGE OR FLAMMABLE LIQUIDS SUCH AS GASOLINE, NAPHTHA OR ENGINE OIL. SOME FUELS COULD GENERATE CARBON MONOXIDE AND ARE VERY DANGEROUS.**

**CAUTION: DO NOT CONNECT TO, OR USE IN CONJUNCTION WITH ANY AIR DISTRIBUTION DUCT WORK UNLESS SPECIFICALLY APPROVED FOR SUCH INSTALLATION.**

<b>Troubleshooting Guide</b>		
<b>PROBLEM</b>	<b>POSSIBLE CAUSE</b>	<b>SOLUTION</b>
Crumbling Substrate	Extreme Thermal Shock Refueling with Wet Wood High Draft	Bypass combustor when the stove is running Use seasoned, dried wood. Do not exceed .06" of water draft. Install a manual damper and draft gauge or a barometric damper.
Fly-Ash Build-up <b>Fly-Ash Masking</b>  <b>Fly-ash Plugging</b>	Combustor has not maintained light-off temperature. Combustor has not maintained light-off temperature.  <b>Burning materials that produce a lot of char and fly-ash.</b> <b>Closing the bypass too soon</b>	Brush cold combustor with a soft bristled brush or vacuum lightly.  Brush cold combustor with a soft bristled brush or vacuum lightly.  Do not burn cardboard, gift wrap or garbage. Follow instructions for proper light-off.
Thermal Cracking	Uneven temperatures, flame impingement and heat spikes.	If cracking causes large pieces to fall out, replace combustor.
Mechanical Cracks	Combustor mishandled or abused. Distortion of combustor holder.	Handle combustor with care. Replace if necessary. Replace combustor is large pieces are missing, replace any warped stove parts as well.
Plugging (Creosote)	Burning wet, pitchy woods or burning large loads of small diameter wood with the combustor in the operating position without light-off ever occurring.	Burn dried seasoned wood. Make sure combustor has light-off before closing the bypass damper. It may be possible to burn off the soot or creosote accumulation by putting the combustor in a partially open and partially closed position after a hot fire has been started.
Masking (Soot)	Combustor has not maintained a light-off.  Burning coal will cause a sulfur-based compound to coat the catalyst.	Place combustor in a partially open and partially position after a hot fire has been started to burn off the soot accumulation.  Revert to burning wood and fire the combustor to elevated temperatures for one hour.



*Cleaning & Maintaining Your Wood Stove*

## Maintenance

It is very important to carefully maintain your fireplace stove, including burning seasoned wood and maintaining a clean stove and chimney system. Have the chimney cleaned before the burning season and as necessary during the season, as creosote deposits may build up rapidly. Moving parts of your stove require no lubrication.

## Creosote

When wood is burned slowly, it produces tar and other organic vapours combine with moisture to form creosote. The creosote vapours condense in the relatively cool chimney flue of a slow burning fire. As a result, creosote residue accumulates on the flue lining. When ignited, this creosote can result in an extremely hot fire.

The chimney connector and chimney should be inspected at least once every two months during the heating season to determine if creosote build up has occurred. If creosote has accumulated it should be removed to reduce the risk of chimney fire.

### CAUTION: Things to remember in case of a chimney fire:

1. Close all draft and damper controls.
2. CALL THE FIRE DEPARTMENT.

### Ways to Prevent and Keep Unit Free of Creosote

- 1) Burn stove with the draft control wide open for about 10-15 minutes every morning during burning season.
- 2) Burn stove with draft control wide open for about 10 - 15 minutes every time you apply fresh wood. This allows the wood to achieve the charcoal stage faster and burns up any unburned gas vapours which might otherwise be deposited within the system.
- 3) **Only burn seasoned wood!** Avoid burning kiln dried, wet or green wood. Seasoned wood has been dried at least one year.
- 4) A small hot fire is preferable to a large smoul-

dering one that can deposit creosote within the system.

- 5) The chimney and chimney connector should be inspected at least once every two months during the heating season to determine if a creosote buildup has occurred.
- 6) **Have chimney system and unit cleaned by competent chimney sweeps twice a year during the first year of use and at least once a year thereafter or when a significant layer of creosote has accumulated (3 mm/1/8" or more) it should be removed to reduce the risk of a chimney fire.**

## Door Gasket

If the door gasket requires replacement 5/8" diameter material must be used. Regency uses a gasket rope 7/8" (Part #846-570). A proper high temperature gasket adhesive is required. See your Regency Dealer.

The door catch may require adjustment as the door gasket compresses after a few fires. The door latch compression may require adjustment to renew seal. Removal of a shim, (see section in this manual), will allow the latch to be moved closer to the door frame, causing a tighter seal.

## Glass Maintenance

Your Regency stove is supplied with 5mm Neoceram ceramic glass (Part #846-306) that will withstand the highest heat that your unit will produce. In the event that you break your glass by impact, purchase your replacement from an authorized Regency dealer only, and follow our step-by-step instructions for replacement (refer to Glass Replacement section).

Allow the stove to cool down before cleaning the glass. Cleaning the glass will prevent build up of carbon and allow full view of the fire. **WARNING:** Do not clean the glass when it is hot. **WARNING:** Do not use abrasive cleaners, a damp cloth and glass cleaner is effective.

## Wood Storage

Store wood under cover, such as in a shed, or covered with a tarp, plastic, tar paper, sheets of scrap plywood, etc., as uncovered wood can absorb water from rain or snow, delaying the seasoning process.



## Catalytic Combustor Part #075-531

### ACHIEVING AND MAINTAINING CATALYST LIGHT-OFF:

The temperature in the stove and the gases entering the combustor must be raised to between 500F to 700F for catalytic activity to be initiated. During the start up of a cold stove a medium to high firing rate must be maintained for about 30 minutes. This ensures that the stove, catalyst and fuel are all stabilized at proper operating temperatures. Even though it is possible to have temperatures at 600F within minutes after a fire has been started, if the fire is allowed to die down immediately it may go out or the combustor may stop working. Once the combustor starts working, heat generated in it by burning the smoke will keep it working. During re-fueling and rekindling of the cool fire, or a fire that has burned down to the charcoal phase, operate the stove at a medium to high firing rate for about 10 minutes to ensure that the catalyst reaches operating temperatures.

**CATALYST MONITORING:** It is important to periodically monitor the operation of the catalytic combustor to ensure that it is functioning properly and to determine when it needs to be replaced. A non-functioning combustor will result in a loss of heating efficiency, and an increase in creosote and emissions. Following is a list of items that should be checked on a periodic basis.

- Combustors should be visually inspected at least three times during the heating season to determine if physical degradation has occurred. Actual removal of the combustor is not recommended unless more detailed inspection is warranted because of decreased performance. If any of these conditions exist, refer to Catalyst trouble shooting section of this owner’s manual.
- A good combustor is designed to withstand approximately 12,000 hours of continuous use. This will translate into five to ten years of use, depending on the length of your heating season and how often you use your stove. Proper maintenance will increase the combustor’s effectiveness and prevent many problems. Inspect your combustor before each heating season, and during the season if your stove’s performance seems to change.
- This catalytic heater is equipped with a temperature probe to monitor catalyst operation. Properly functioning combustors typically maintain temperatures in excess of 500F and often reach temperatures in excess of 1000F. If catalyst temperatures are not in within, refer to Catalyst trouble shooting section of this manual.
- You can get an indication of whether the catalyst is working by comparing the amount of smoke leaving the chimney when the smoke is going through the combustor and catalyst light – off has been achieved, to the amount of smoke leaving the chimney when the smoke is not routed (by-pass open) through the combustor.

- Step 1:** Light the stove in accordance with instructions within this manual.
- Step 2:** With smoke routed through the catalyst (by-pass closed) go outside and observe the emissions leaving the chimney.
- Step 3:** Engage the bypass mechanism and move to by-pass open position. And again observe the emission leaving the chimney. Significantly more smoke should be seen when the smoke is not routed through the combustor (by-pass open). Be careful not to confuse smoke with steam.

**ACHIEVING PROPER DRAFT:** Draft is the force which moves air from the appliance up through the chimney. The amount of draft in your chimney depends on the length of the chimney, local geography, nearby obstructions and other factors. Too much draft may cause excessive temperatures in the appliance and may damage the catalytic combustor. Inadequate draft may cause back puffing into the room and plugging of the chimney or catalyst.

<b>CATALYTIC COMBUSTOR CLEANING:</b>	
<b>Method #1</b>	A vacuum cleaner may be used, but <b>never use high pressured air</b> to blow the cells free of any build-up. This can damage the cell walls. Any cell blockage can be removed with the use of a pipe cleaner or a cotton swab as well.
<b>Method #2</b>	Should the combustor’s cells become covered with fly-ash, use a paint-brush or soft-bristled brush and dust the combustor gently. <b>Never use anything abrasive to clean the combustor.</b>
<b>Method #3</b>	Normally the catalytic combustor requires little or no maintenance, it generates such high temperatures and therefore is basically self-cleaning. However, should the combustor become covered with soot or creosote, it is possible to burn the accumulation off by opening the bypass and building a hot fire. Once the hot fire is created, close the bypass halfway and burn for 30 to 60 minutes with the bypass left in this position. <b>Never use cleaning solvents to clean it.</b> Check and clean the combustor, if necessary, before each burning season and inspect the flue system for any signs of creosote buildup.  A clean flue helps prevent chimney flue fires.

## Combustor Assembly Removal/Replacement

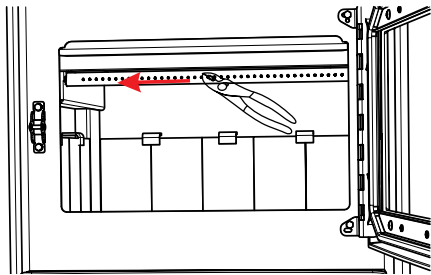
Note: unit in images may not be identical to the I1500—they depict the process.

The catalytic thermometer on top of the stove should read in the active zone after the stove has been in operation for several hours. If the thermometer's indicator needle does not stay in the active zone, even with a hot fire, over a period of regular use, the catalyst may need to be cleaned. If this persists it may be necessary to replace it.

If the combustor must be examined or replaced, follow this procedure:

1. Allow the stove to burn out and cool down.
2. Remove stainless steel smoke deflector - See instructions in this manual.
3. Remove the front secondary air tube with pliers as shown below.

Note: to make it easier to remove the air tubes, first remove both the bottom right base brick and right side wall brick.



4. Remove left and right baffle brackets (removal of left baffle bracket shown below).



Baffle bracket

5. Remove the right and left side baffles (right side baffle shown below).



Baffle bracket

6. Remove the center baffle.



Centre baffle

7. Remove locking clip from the front face of the Catalyst assembly by sliding up and out.



8. Pull flame shield forward and tilt down, be prepared to support catalyst assembly.



9. Loosen bolts on catalyst retainer then, slide the catalyst retainer to the right to remove.



Catalyst

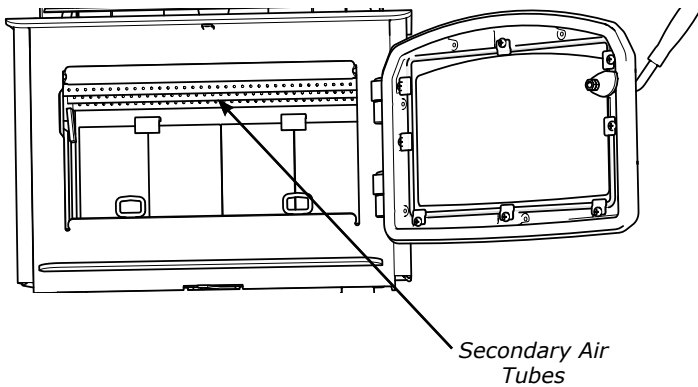
10. Reverse steps to reinstall catalyst.

**NOTE:** Replacement combustors can be retrieved from Applied Ceramics or Contact your local Regency Dealer. See warranty information at the back of this manual for details.

**DO NOT OPERATE THE APPLIANCE IF COMBUSTOR BECOMES INACTIVE - DO NOT OPERATE WITHOUT COMBUSTOR.**

### Secondary Air Tube Removal/Installation

1. Allow the stove to burn out and cool down, until cool to touch.
2. Open stove door to access secondary air tubes.



3. Grasp front secondary air tube firmly with vise grips, using a hammer tap vise grips from right to left until air tube is released from grip. Remove. See diagram 1.

Note: to make it easier to remove the air tubes, first remove both the bottom right base brick and right side wall brick.

4. Remove top left and right metal retainers, followed by the fragile three piece C-Cast Baffles (see catalyst removal instructions for details), then remove the remaining 2 tubes.

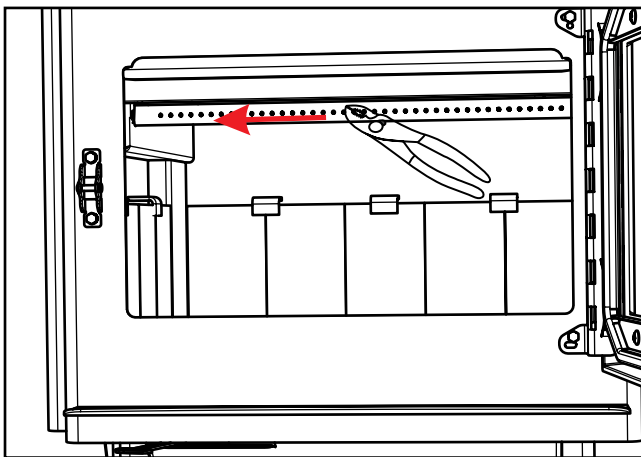


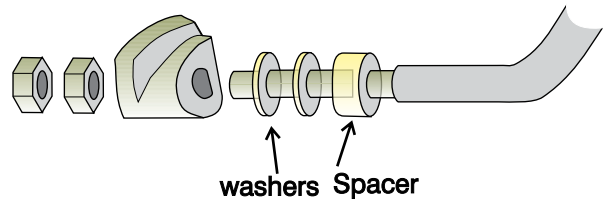
Diagram 1

5. To reinstall or replace, first slide left side of tube into hole on left side air channel. Align tab on right side air channel with notch on right hand end of air tube. Firmly grip center of air tube with vise grips, use hammer to tap vise grips from left to right until the tube bottoms out into the air channel on right.

Note : If air tube is locked into place correctly there should be slight movement when moving the air tube back and forth.

### Latch Adjustment

The door latch may require adjustment as the door gasket material compresses after a few fires. Removal of the spacer washer, shown in the diagram below, will allow the latch to be moved closer to the door frame, causing a tighter seal. Remove and replace the nuts, washer and spacer as shown.



### Removing Wooden Handle

1. To remove the wooden door handle from unit, firstly locate 7/64" Allen key hole at the bottom of wooden handle.



2. Unscrew 7/64" Allen Key screw counterclockwise. Once the screw is completely loose, remove and drop the handle down off the door handle shaft and replace with new handle.



## Bypass Rod Removal/Replacement

1. Remove locking clip from the front face of the Catalyst assembly by sliding up and out.



Diagram 1

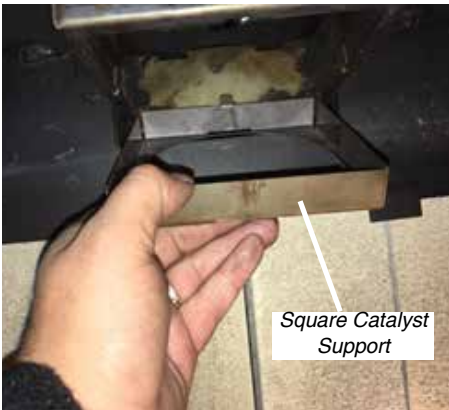


Diagram 2

2. Slide bypass rod through the horizontal opening above the door. As you slide the bypass rod in ensure it engages into the opening of the cartridge. Once penetrated, take your clip and install it from the inside of the cartridge. Move the bypass rod in and out to ensure the cartridge is moving and by pass rod is secured.



Diagram 3

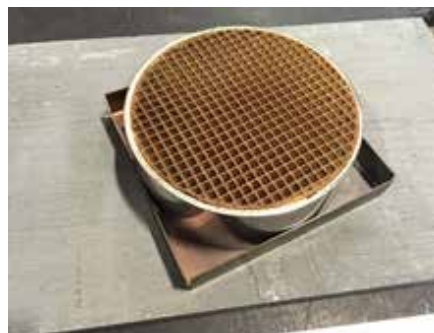


Diagram 4



Diagram 5

3. Take your round catalyst and install it into the square support. Then take the catalyst and square support and insert it into the cartridge in the unit. Take the flame shield and slide back end into the opening. Then take retainer and slide into position securing the flame shield. Tighten the two 7/16" bolts. You have now completed the install of the catalyst, bypass rod and flue adaptor.



Catalyst in square support

Diagram 14



Diagram 6 Install square support and catalyst into cartridge



Diagram 7



Diagram 8

Install flame shield into rear flange and reinstall locking clip removed in Step 1

4. Now proceed with faceplate installation instructions. Re-install door/bricks and install tubes and baffles. Also feed the probe wire to the left hand front of the appliance. This will make it easier to hook the monitor when installing the faceplate.

NOTE: If your cavity height is tall enough, you can install the adaptor onto the unit first and then connect to the liner.

NOTE: when cleaning chimney, remove tubes, baffles, retainer, flame shield and catalyst. After sweeping re-install.

<b>Annual Maintenance</b>	
Completely clean out entire unit	Annually
Inspect air tube, Catalytic Combustor and bricks	Replace any damaged parts.
Adjust door catch assembly	If unable to obtain a tight seal on the door - replace door gasket seal. Readjust door catch after new gasket installed.
Inspect condition and seal of: Glass Gasket Door Gasket	Perform paper test - replace gasket if required
Paper Test	Test the seal on the loading door with a paper bill. Place a paper bill in the gasket area of the door on a cold stove. Close the door. Try to remove the paper by pulling. The paper should not pull out easily, if it does, try adjusting the door latch, if that doesn't solve the problem replace the door gasket.
Check and lubricate door hinge + latch	Use only high temperature anti seize lube. (ie. never seize)
Check glass for cracks	Replace if required.
Clean blower motor	Disconnect power supply. Remove and clean blower. <b>*DO NOT LUBRICATE*</b>
Inspect and clean chimney	Annual professional chimney cleaning recommended.
Thermostat Probe	The thermostat probe that is inserted into the opening above the insert must be cleaned at least once a year. Use 220 sand paper to clean probe. Access to the probe can be done in 2 ways. - by removing the catalyst as this will be exposed once the catalyst is removed. - by removing the faceplate. However, there must be clearance above the insert to be able to remove the probe from the top of the insert. See specific details in this manual.

**NOTE:**

**Chimney Cleaning**

When cleaning the chimney system the air tubes, baffles should be removed for ease of cleaning. See manual for details on removal. The bypass should be moved all the way outward so any creosote will fall onto the firebox floor when being cleaned. Alternatively, the catalyst may be removed so this can also be cleaned at the same time following the guide lines found in this manual. We highly recommend that the chimney cleaning be done by a professional as they will have the necessary tools such as a proper sized brush and special vacuum cleaner designed to deal with fine particles.

**IMPORTANT:**

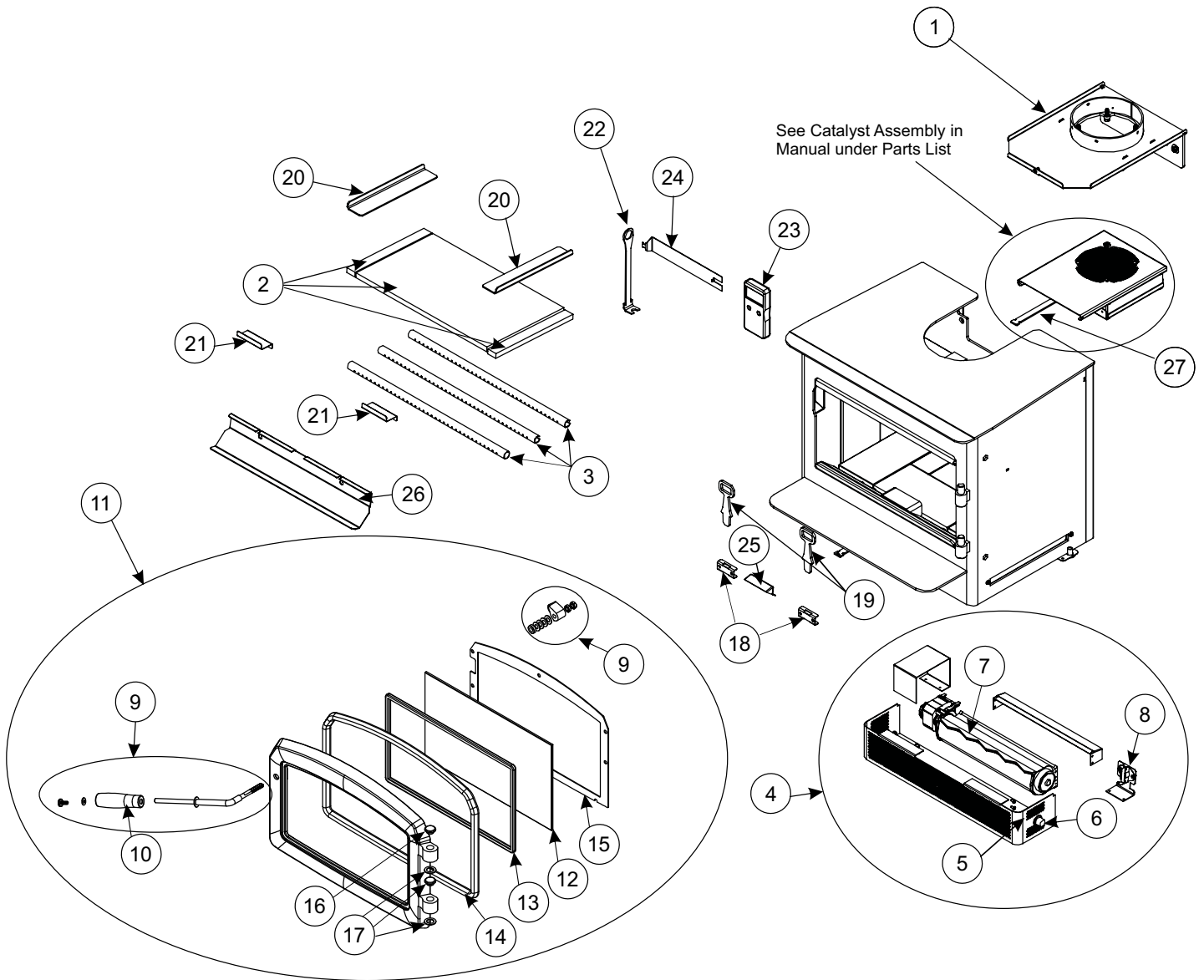
Before attempting to loosen or remove any screw, bolt from the interior of a wood stove, insert or factory built fireplace that has had a fire burned in it, we highly recommend to liberally spray the screw/bolt with a good-quality penetrating oil, one that does not have flammable properties contained within the penetrating oil being used. Allow it to set, then tap or vibrate the screw or bolt to help loosen it before attempting to remove it. For best results, follow the instructions that are provided with the penetrating oil.



## Main Assembly

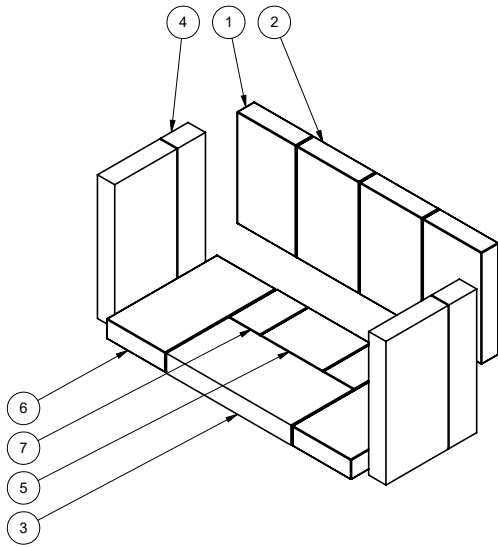
	Part #	Description
1	172-932	Flue Adapter Standard
1	172-936	Flue Adapter Offset
2	075-955	Baffle Set Complete
3	033-953	Air Tubes (Each)
4	172-917	Fan Kit Complete
5	910-330	Fan Speed Controller
6	910-586	Fan Control Knob
7	911-418/P	Replacement Fan Motor
8	910-142	Fan Thermodisc
9	021-973	Handle Assembly Complete
10	948-146	Wooden Door Handle
11	850-241	Complete Door - Black
11	850-243	Complete Door - Black with Nickel Accent
12	846-306	Replacement Glass - Includes Gasket (Size: 9-1/8" X 15-5/8")
13	846-692	1/8" x 3/4" Wide Graphite Gasket Tape (6') (936-241)
14	846-570	Door Gasket Repair Kit
15	075-077F	Glass Retainer
16	948-920	Black Hinge Caps (Set of 2)
16	948-079BN	Nickel Hinge Cap (Each)
17	650-084	Door Spacer (Each)
18	075-064	Andiron Bracket (Each)
19	075-063F	Andiron (Each)
20	075-040	Side Baffle Cover (Each)
21	075-041	Baffle Holder (Each)
22	181-040	Control Tool
23	911-185	Digital Monitor
24	172-026	Accessory Holder With Slide
N/S	172-017	Accessory Holder Mounting Bracket
25	075-062	Primary Air Cover Plate
26	075-037	SS Smoke Deflector
27	075-097	Bypass Rod (Standard Flue Adaptor)
27	172-027	Bypass Rod (Offset Flue Adaptor)
N/S	911-096	120 Volt Power Cord
N/S	948-444	Regency Flame Logo Silver
N/S	911-186	Digital Monitor Probe
N/S	075-021	Firebox Floor Gasket

Main Assembly



**Brick Panels**

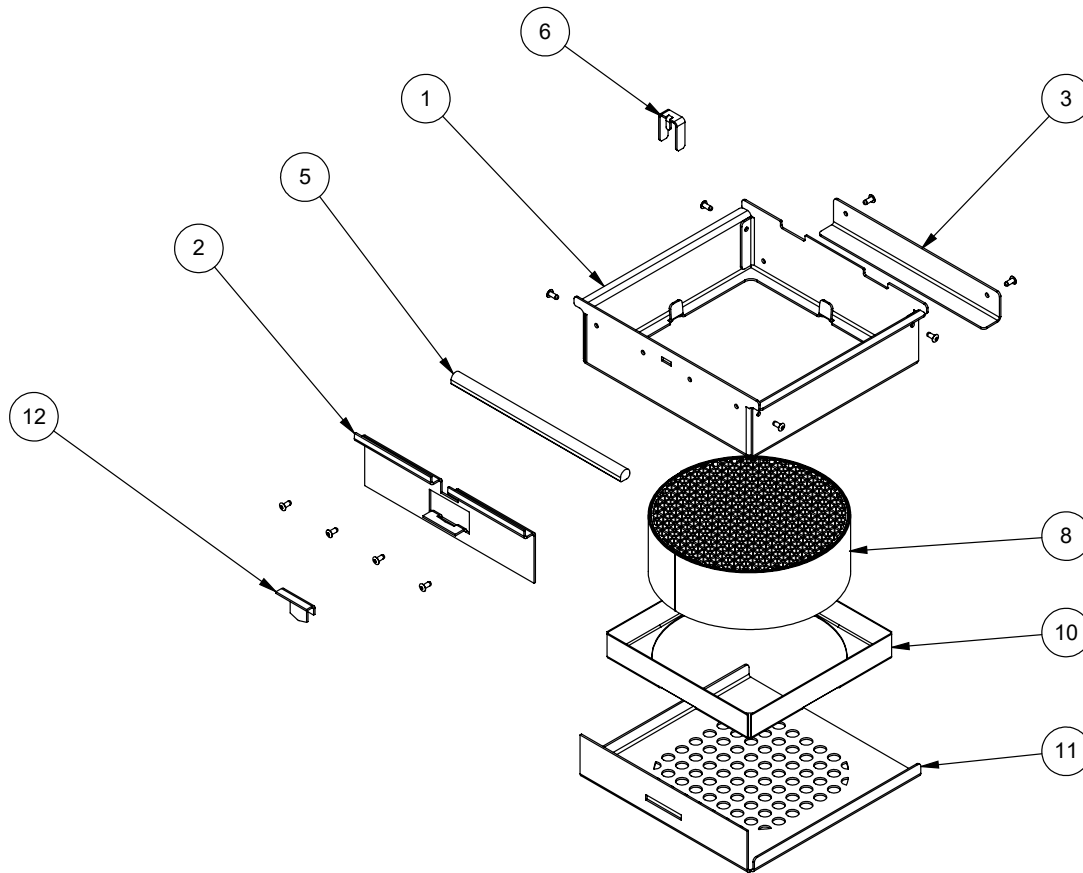
075-960 I1500 Brick Kit Complete



Fire bricks	
#	Size
1	4-1/4" x 7"
2	4-1/2" x 7"
3	9" x 4-1/2"
4	9" x 2"
5	3-1/2" x 4-1/2"
6	4-1/4" x 8"
7	3-1/2" x 2-1/4"

Catalytic Combustor Assembly

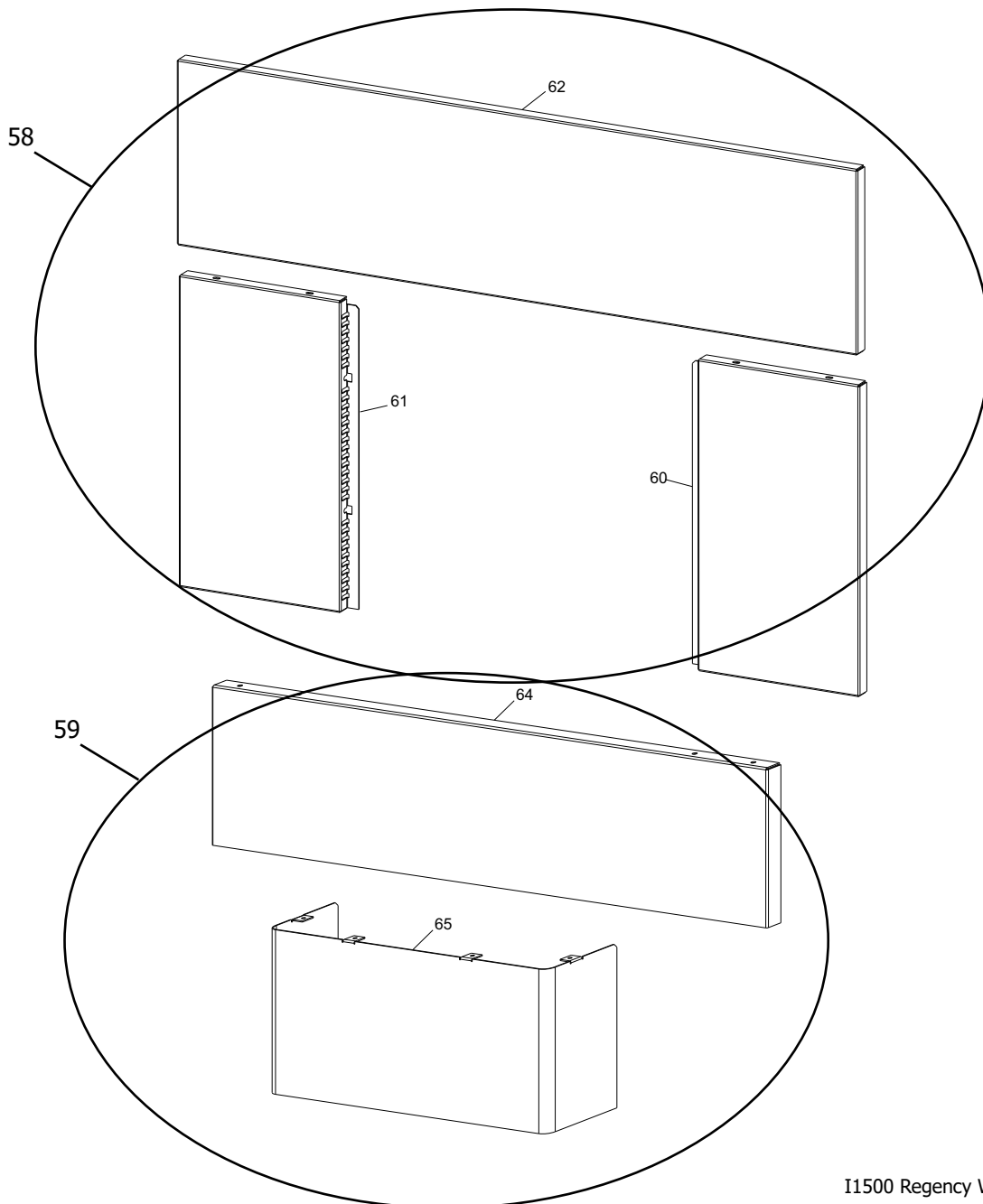
	Part #	Description
1	075-101	Catalyst slide
2	075-102	Gasket bracket
3	075-104	Long shield bracket
5	846-689	Graphite Md-500 Rope Gasket (6') (936-236)
6	075-043	Rod Lock
8	075-531	5.83 diameter combustor assembly
10	075-044	Cat cradle
11	075-105	Offset flame shield
12	075-103	Rod clip lock



Faceplates

Part #	Description
58) 172-920	Faceplate & Trim Set - Regular - Black
58) 172-922	Faceplate & Trim Set - Oversize - Black
59) 171-928	Bottom Piece and Fan Support - Regular
59) 171-930	Bottom Piece and Fan Support - Oversize
60) *	Faceplate Right Side Regular / Oversize
61) *	Faceplate Left Side Regular / Oversize
62) *	Faceplate Top Regular / Oversize
64) *	Bottom 1 Piece Faceplate
65) *	Fan Support
N/S 171-570	Black Perimeter Trim Black Regular Faceplate
N/S 171-572	Black Perimeter Trim Black Oversize Faceplate
N/S 948-223	Regency Logo Plate
N/S 171-526	Faceplate Mounting Brackets (Each)
N/S 171-546	Faceplate Hardware Package

\*Not available as a replacement part.



## Indoor Wood Product Warranty

### Limited Lifetime Warranty

FPI Fireplace Products International Ltd. (for Canadian customers) and Fireplace Products U S, Inc. (for US customers) (collectively referred to herein as “FPI”) extends this Limited Lifetime Warranty to the original purchaser of this Appliance provided the product remains in the original place of installation. The items covered by this Limited Lifetime Warranty and the period of such coverage are set forth in the table below.

An Appliance in this policy is defined as an Indoor wood insert or Indoor wood freestanding stove.

**This Appliance has only been certified and listed for use indoors.**

**Note: This Wood Product Warranty does not apply to the Ri50 & CF780 models. See Ri50/CF780 policy for specific warranty details.**

This Limited Lifetime Warranty starts on the day the Appliance was purchased.

**The Limited Lifetime Warranty is not transferable, amendable or negotiable under any circumstances.**

Indoor Wood Products	Component Coverage					Subsidized Labor Coverage*** (Years)
	Limited Lifetime	5 years	2 years	1 year	Warranty	
Welded Firebox Steel	✓					5
All Stainless Steel Components, Smoke Deflectors, Heat Shields etc.	✓					3
Air Tubes	✓					3
Airmate	✓					3
Door handle and latch assembly, all hardware	✓					3
Glass Thermal Breakage Only	✓					3
Steel Faceplates, Accessory Housings	✓					3
All Plating	✓					3
Ash Drawer, Heatshields, Pedestal	✓					0
All Baffles, Steel, Ceramic, Vermiculite C-Baffles	✓					0
All castings, firebox, surrounds, doors, panels etc.		✓				3
All Electrical, Blower, wiring, switches, Catalytic Monitors, Probes, etc.			✓			2
Glass - Crazing				✓		1
Catalyst Combustor					**10 Years Prorated	0
Venting/Chimney				✓		1
Screens				✓		1

\*\*See specific warranty details regarding the catalyst combustor in this manual.

**Note:** Warranty coverage noted above may not be applicable as components/options vary based on appliance purchased.

### Conditions:

Warranty protects against defect in manufacture or FPI factory-assembled components only, unless herein specified otherwise.

**\*\*\*This warranty does not cover dealer travel costs, mileage, fuel, tolls for diagnostic or service work. All labor rates paid to authorized dealers are subsidized, pre-determined rates. Dealers may charge you for travel and additional time beyond their subsidy.**

Any part(s) found to be defective during the warranty period as outlined above will be repaired or replaced at FPI’s option through an accredited distributor, dealer or pre-approved and assigned agent provided that the defective part is returned to the distributor, dealer or agent for inspection if requested by FPI. Alternatively, FPI may, at its own discretion, fully discharge all of its obligations under warranty by refunding the verified purchase price of the product to the original purchaser. The purchase price must be confirmed by the original Bill of Sale.

**The authorized selling dealer, or an alternative authorized FPI dealer if pre-approved by FPI, is responsible for all in-field diagnosis and service work related to all warranty claims. FPI is not responsible for results or costs of workmanship of unauthorized FPI dealers or agents in the negligence of their service work.**

At all times, FPI reserves the right to inspect reported in the field/on location complaints of products claimed to be defective before processing or authorizing any claim. Failure to allow this upon request will void the warranty.

All warranty claims must be submitted by the dealer servicing the claim, including a copy of the Bill of Sale (proof of purchase by you). All claims must be complete and provide full details as requested by FPI to receive consideration for evaluation. **Incomplete claims may be rejected.**

**Replacement Appliances to the original purchaser are limited to one per warranty term. Air tube and baffle replacements are limited to one replacement per warranty term.**

The Appliance must be installed according to all manufacturers' instructions as per the manual. All Local and National required codes must be met.

The installer is responsible for ensuring the Appliance is operating as designed at the time of installation.

The original purchaser is responsible for the annual maintenance of the Appliance, as outlined in the owner's manual. As outlined below, the warranty may be voided due to problems caused by a lack of maintenance.

Purchased parts: Repair/replacement parts purchased by the consumer from FPI after the original coverage has expired on the Appliance will carry a **90-day** warranty from the purchase date, valid with a receipt only. Any item shown to be defective will be repaired or replaced at our discretion. No labor coverage is included with these parts.

If freight damage has been found either externally or internally, the dealer must be informed within 3 days. All claims as a result of damage must be submitted by the dealer servicing the claim, including a copy of the Bill of Sale (proof of purchase). All claims must be complete and provide full details as requested by FPI to receive consideration for evaluation. **Incomplete claims may be rejected.**

As this is a Limited Lifetime Warranty, if the Appliance needs to be replaced, the Appliance that was purchased at the time of sale might not be replaced with exactly the same model Appliance. In that case, FPI will replace your Appliance with one that is similar at the time of replacement under the terms of this Limited Lifetime Warranty, but **ONLY** in the event that an item covered by the Limited Lifetime Warranty is found to be defective. Please refer to the table on first page of this warranty for items covered by the Limited Lifetime Warranty. Product changes might be the result of the original Appliance being discontinued, changes in regulatory requirements, product advancements, etc., which are beyond the control of FPI. **This Limited Lifetime Warranty does not cover any installation costs, or costs associated with changes of required clearances for the replacement Appliance, hearth pads, mantles, facing and/or facing materials such as framing, completed walls made of drywall, wood, non-combustible board, tile, brick, stone, marble etc., venting/chimney systems, or components of the chimney system.**

If a suitable replacement is not available, FPI will refund **50%** of the purchase price of the Appliance and any applicable FPI accessories (faceplates, brick panels, media, etc.) purchased at the time of sale. **In no event will FPI refund any portion of the purchase price of, or reimburse costs associated with, any other items, including without limitation, installation of a new unit, changes of required clearances for a new unit, hearth pads, mantles, facing and/or facing materials such as framing, completed walls made of drywall, wood, non-combustible board, tile, brick, stone, marble etc., venting/chimney systems, or components of the chimney system. A copy of the receipt or bill of sale will be necessary to validate the purchase price.**

#### **Exclusions:**

This Limited Lifetime Warranty does not extend to paint, rust or corrosion of any kind due to a lack of maintenance or improper venting, combustion air provision, corrosive chemicals (i.e. chlorine, salt, air, etc.), firebrick (rear, sides or bottom), door or glass gasketing, vermiculite floor bricks, and iron assemblies/flue damper rod or any other additional factory fitted gasketing, batteries.

Malfunction, damage or performance-based issues as a result of environmental conditions, location, chemical damages, downdrafts, installation error, an installation by an unqualified installer, incorrect chimney components (including but not limited to cap size or type), operator error, abuse, misuse, use of improper fuels (such as unseasoned cordwood, mill-ends, construction lumber or debris, off-cuts, treated or painted lumber, metal or foil, plastics, garbage, solvents, cardboard, coal or coal products, oil-based products, waxed cartons, compressed pre-manufactured logs, kiln dried wood), lack of regular maintenance and upkeep, acts of God, weather-related problems from hurricanes, tornados, earthquakes, floods, lightning strikes/bolts or acts of terrorism or war, which result in a malfunction of the Appliance are not covered under the terms of this Limited Lifetime Warranty.

FPI has no obligation to enhance or modify any Appliance once manufactured (i.e. as products evolve, field modifications or upgrades will not be performed on existing Appliances).

Any Appliance showing signs of neglect or misuse will not be covered under the terms of this warranty policy and may void this warranty, including Appliances with rusted or corroded fireboxes that have not been reported as rusted or corroded within **three (3)** months of installation/purchase.

Appliances which show evidence of being operated while damaged, or with problems known to the purchaser and causing further damages will void this warranty.

Appliances where the serial no. has been altered, deleted, removed or made illegible will void this warranty.

Minor movement, expansion and contraction of the steel is normal and is not covered under the terms of this warranty.

Freight damages for products or parts are not covered under the terms of the warranty.

Products made or provided by other manufacturers and used in conjunction with the FPI Appliance without prior authorization from FPI may void this warranty.

**Limitations of Liability:**

The original purchaser's exclusive remedy under this warranty, and FPI's sole obligation under this Limited Lifetime Warranty, express or implied, in contract or in tort, shall be limited to replacement, repair, or refund, as outlined above. IN NO EVENT WILL FPI BE LIABLE UNDER THIS WARRANTY FOR ANY INCIDENTAL OR CONSEQUENTIAL COMMERCIAL DAMAGES OR DAMAGES TO PROPERTY. TO THE EXTENT PERMITTED BY APPLICABLE LAW, FPI MAKES NO EXPRESS WARRANTIES OTHER THAN THE WARRANTY SPECIFIED HEREIN. THE DURATION OF ANY IMPLIED WARRANTY IS LIMITED TO DURATION OF THE EXPRESSED WARRANTY SPECIFIED ABOVE. IF IMPLIED WARRANTIES CANNOT BE DISCLAIMED, THEN SUCH WARRANTIES ARE LIMITED IN DURATION TO THE DURATION OF THIS WARRANTY.

Some US states do not allow limitations on how long an implied warranty lasts, or allow exclusion or limitation of incidental or consequential damages, so the above limitations or exclusions may not apply to you.

Customers located outside the US should consult their local, provincial or national legal codes for additional terms, which may be applicable to this warranty.

**How to Obtain Warranty Service:**

Customers should contact the authorized selling dealer to obtain warranty service. In the event the authorized selling dealer is unable to provide warranty service, please contact FPI by mail at the address listed below. Please include a brief description of the problem and your address, email and telephone contact information. A representative will contact you to make arrangements for an inspection and/or warranty service.

Canadian Warrantor:

**FPI Fireplace Products International Ltd.**  
6988 Venture St.  
Delta, British Columbia Canada,  
V4G 1H4

US Warrantor:

**Fireplace Products U.S., Inc.**  
PO Box 2189 PMB 125  
Blaine, WA  
United States, 98231

Or contact the Regency Customer Care Centre at 1-800-442-7432 (phone) /604-946-4349 (fax) /customerservice@regency-fire.com (e-mail)

**Product Registration and Customer Support:**

Thank you for choosing a Regency Fireplace. Regency strives to be a world leader in the design, manufacture, and marketing of hearth products. To provide the best support for your product, we request that you complete a product registration form at <http://www.regency-fire.com/Customer-Care/Warranty-Registration.aspx> within **ninety (90)** days of purchase.



## Warranty Registration Card



### Product Registration and Customer Support:

Thank you for choosing a Regency Fireplace. Regency strives to be a world leader in the design, manufacture, and marketing of hearth products. To provide the best support for your product, we request that you complete a product registration form found on our Web Site under Customer Care within ninety (90) days of purchase.

For purchases made in **CANADA or the UNITED STATES:**

<http://www.regency-fire.com/Customer-Care/Warranty-Registration.aspx>

For purchases made in AUSTRALIA:

<http://www.regency-fire.com.au/Customer-Care/Warranty-Registration.aspx>

You may also complete the warranty registration form below to register your Regency Fireplace Product and mail and/or fax it back to us, and we will register the warranty for you. It is important you provide us with all the information below in order for us to serve you better.

### Warranty Registration Form (or Register online immediately at the above Web Site):

<b>Warranty Details</b>	
Serial Number (required):	
Purchase Date (required) (mm/dd/yyyy):	
<b>Product Details</b>	
Product Model (required):	
<b>Dealer Details</b>	
Dealer Name (required):	
Dealer Address:	
Dealer Phone #:	
Installer:	
Date Installed (mm/dd/yyyy):	
<b>Your Contact Details (required)</b>	
Name:	
Address:	
Phone:	
Email:	

For purchases made in CANADA:

#### FPI Fireplace Products International Ltd.

6988 Venture St.  
Delta, British Columbia  
Canada, V4G 1H4

Phone: 604-946-5155  
Fax: 1-866-393-2806

For purchases made in the UNITED STATES:

#### Fireplace Products US, Inc.

PO Box 2189 PMB 125  
Blaine, WA  
United States, 98231

Phone: 604-946-5155  
Fax: 1-866-393-2806

For purchases made in AUSTRALIA:

#### Fireplace Products Australia Pty Ltd

99 Colemans Road  
Dandenong South, Vic.  
Australia, 3175

Phone: +61 3 9799 7277  
Fax: +61 3 9799 7822

For fireplace care and tips and answers to most common questions please visit our Customer Care section on our Web Site. Please feel free to contact your selling dealer if you have any questions about your Regency product.

## CATALYTIC COMBUSTOR PARTS ONLY WARRANTY COVERAGE

### IMPORTANT WARRANTY INFORMATION FOR CATALYTIC COMBUSTOR

Effective March 1, 2019

Any and all claims for catalytic combustor must be filed **by the consumer** directly with their authorized Regency Dealer. FPI/Regency does not handle these claims directly with consumers.

Please follow the instructions below for your catalytic combustor under warranty. To learn more about the care and maintenance of the catalytic combustor, please visit our website: [www.firecatcombustors.com](http://www.firecatcombustors.com).

Any warranty coverage before this date will be covered by the original warranty when the appliance was purchased.

- (1) **10-year** coverage from Regency – not the supplier of the catalytic combustor.
- (2) All claims must be made through the dealer where the appliance had been purchased.
- (3) One no-charge replacement at any time within the **ten (10) year** period.
- (4) Second replacement at 50% off retail\* within the original **ten (10) years**.
- (5) Subsequent replacements or if **ten (10)-year** coverage has expired at full retail\* price.
- (6) The catalytic combustor must not have been mechanically abused, nor must the wrong fuels have been used in the appliance.
- (7) All claims must be accompanied by clear photos of the catalytic combustor showing all damage and also showing existing internal venting from the stove.

The consumer will be responsible for removal of the catalyst and any servicing required as there is no labour allowance. This warranty is REGENCY® exclusive warranty and REGENCY® disclaims any other express or implied warranty for the catalytic combustor, including any warranty or merchantability of fitness for a particular use.

THE CATALYTIC COMBUSTOR WARRANTY APPLIES TO PARTS ONLY, THERE IS NO LABOR WARRANTY ASSOCIATED WITH THE CATALYTIC COMBUSTOR.

All warranty claims must be sent to: Regency Fireplace Products

By Authorized Regency Dealer

\* Prices subject to change.

Regency reserves the right to reject any claim if it is determined the damage is a result of misuse, abuse or improper cleaning/ handling.



***Installer: Please complete the following information***

**Dealer Name & Address:** \_\_\_\_\_  
\_\_\_\_\_

**Installer:** \_\_\_\_\_

**Phone #:** \_\_\_\_\_

**Date Installed:** \_\_\_\_\_

**Serial #:** \_\_\_\_\_