

Regency

FIREPLACE PRODUCTS



Owners &
Installation Manual

ULTIMATE U29 & U45 Direct Vent Freestanding Gas Stove



U45 with Gold Wraparound Glass Door

MODELS: U29-NG2 Natural Gas U29-LP2 Propane U45-NG3 Natural Gas U45-LP3 Propane

WARNING:

If the information in these instructions are not followed exactly, a fire or explosion may result causing property damage, personal injury or loss of life.

FOR YOUR SAFETY

Do not store or use gasoline or other flammable vapors and liquids in the vicinity of this or any other appliance.

Installation and service must be performed by a qualified installer, service agency or the gas supplier.

FOR YOUR SAFETY

What to do if you smell gas:

- ✱ Do not try to light any appliance
- ✱ Do not touch any electrical switch: do not use any phone in your building.
- ✱ Immediately call your gas supplier from a neighbour's phone. Follow the gas supplier's instructions.
- ✱ If you cannot reach your gas supplier, call the fire department.

Tested by:

Installer: Please complete the details on the back cover and leave this manual with the homeowner.

Homeowner: Please keep these instructions for future reference.

Warnock Hersey



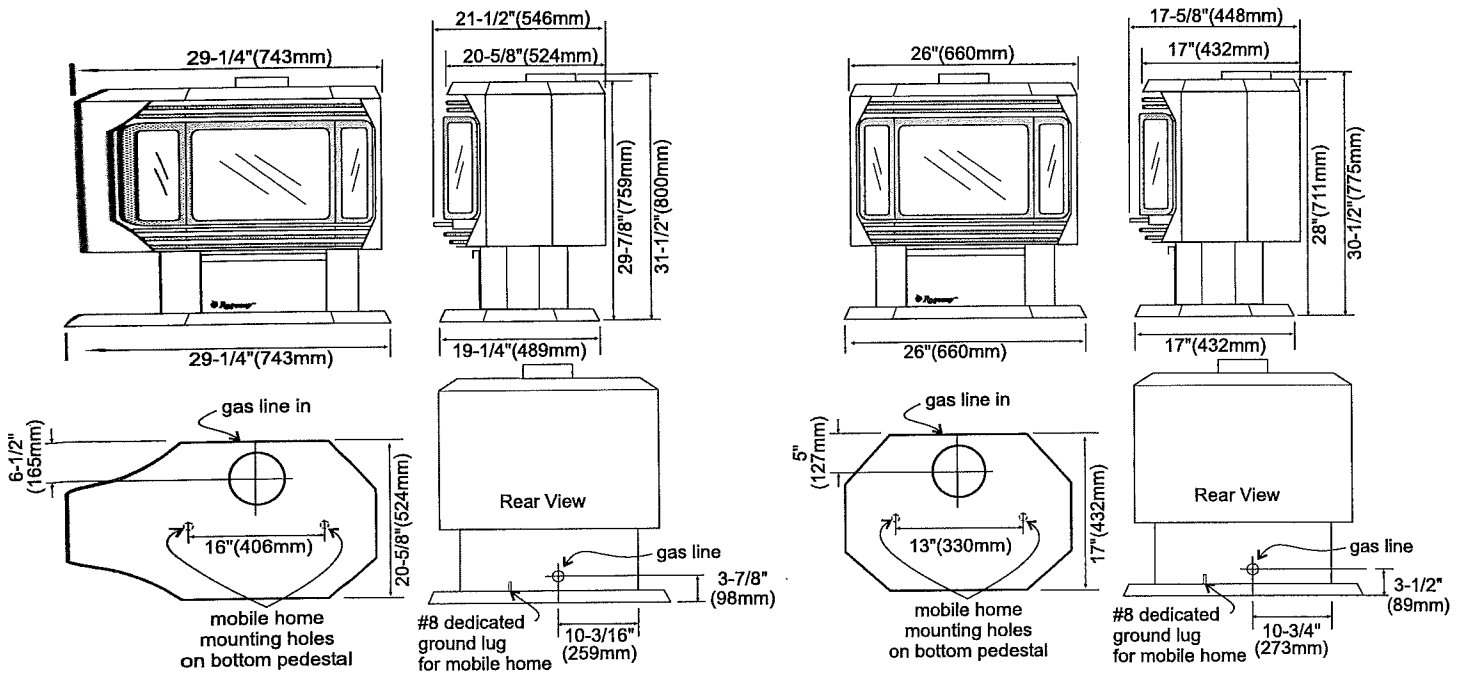
REGENCY

ULTIMATE Direct Vent Freestanding Gas Stove

To the New Owner:

Congratulations! You are the owner of a state-of-the-art ULTIMATE Direct Vent Gas Stove by Regency Industries Ltd. The Regency Gas Series of hand crafted appliances has been designed to provide you with all the warmth and charm of a woodstove, at the flick of a switch. The models U45-NG3, U45-LP3, U29-NG2, and U29-LP2 of this series has been approved by Warnock Hersey for both safety and efficiency. As it also bears our own mark, it promises to provide you with economy, comfort and security for many trouble free years to follow. Please take a moment now to acquaint yourself with these instructions and the many features of your ULTIMATE Direct Vent Freestanding Gas Stove.

UNIT SPECIFICATIONS



U45-NG3 & U45-LP3

U29-NG2 & U29-LP2

TABLE OF CONTENTS

	Page		Page
		Safety Label	
Safety Labels	4		
		Installation	
Specifications	7		
Information for Mobile/Manufactured Home			
After First Sale	7		
Before You Start	7		
General Safety Information	8		
Installation Checklist	8		
Clearances to Combustibles	8		
Manufactured Mobile Home Requirements	9		
Locating Your ULTIMATE Gas Stove	9		
U29: Optional Long Side Door Installation	9		
U29: Louver Installation	9		
Vent Restrictors #1 and #2	10		
Combustion and Ventilation Air	10		
Venting	10		
Installation Precautions	10		
Safety Precautions for the Installer	10		
Exterior Vent Terminal Locations	11		
Venting Arrangements - Horizontal			
Terminations: All Systems	12		
Venting Arrangements - Vertical			
Terminations: Dura-Vent only	13		
- Straight Vertical	13		
- Offset Vertical	13		
DV Stove Horizontal Vent Kit 946-216	14		
Dura-Vent Termination Kits	16		
Planning Your Dura-Vent Installation	16		
Dura-Vent Venting Components Parts List	16		
Dura-Vent Horizontal Installation	18		
Dura-Vent Vertical Termination Installation	19		
Offset Chart	20		
Cathedral Ceiling Installations	20		
Support Extension - Round or Square	21		
Gas Connection	21		
System Data Chart - U45	21		
System Data Chart - U29	21		
High Elevation	21		
Gas Pipe Pressure Testing	22		
Valve Description	22		
Aeration Adjustment	22		
Log Installation	23		
Front Door Installation	23		
Optional Remote Control Installation	24		
Optional Wall Thermostat	24		
Final Check	24		
Wiring Diagram	25		
		Operating Instructions	
		Operating Instructions	26
		Lighting Procedure	26
		Shutdown Procedure	26
		First Fire	26
		Convection Fan Operation	26
		Adjusting Flame Height	26
		Copy of Lighting Plate Instructions	27
		Normal Operating Sounds of Gas Appliances	28
		Maintenance	
		Maintenance Instructions	28
		General Vent Maintenance	29
		Log Replacement	29
		Gold Plated Doors	29
		Door Gasket	29
		Latch Adjustment	29
		Glass Replacement	29
		Fan Maintenance - U45	30
		Fan Maintenance - U29	31
		Removing Valve	32
		Replacement Parts List - U45	33
		Replacement Parts List - U29	36
		Warranty	
		Warranty	39



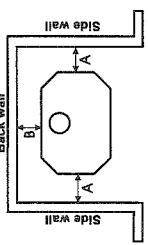
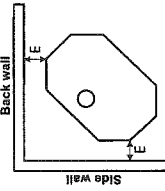
SAFETY LABEL

This is a copy of the label that accompanies each ULTIMATE Direct Vent Freestanding Gas Stove. We have printed a copy of the contents here for your review.



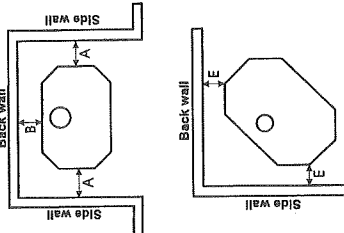
The safety label is located on the inside of the drop down pedestal door.

NOTE: Regency units are constantly being improved. Check the label on the unit and if there is a difference, the label on the unit is the correct one.

Copy of Safety Label for U45-NG3 Natural Gas Stove

<p>Warnock Hersey  US Listed: GRAVITY DIRECT VENT WALL FURNACE Certified for/Certifiée pour: CANADA AND U.S.A. Tested to: CGA 2-17-M91, CAN1-2-19-M81, ANSI Z21.44-1995, UL307B-1995, ANSIZ21.88-1998/CSA 2.33-M98 REPORT NO. 476-1089 & 476-1752 (Jan. 2000) MAY BE INSTALLED IN MANUFACTURED (MOBILE) HOMES</p>		<p>Regency  FIREPLACE PRODUCTS</p>		<p>DO NOT REMOVE THIS LABEL / NE PAS ENLEVER CETTE ÉTIQUETTE</p> <p>Serial No./No de serie WH - U</p>	
<p>FACTORY EQUIPPED FOR NATURAL GAS: Model U45-NG3 Minimum supply pressure 5.0" WC/C.E. (1.24kPa) Manifold pressure High 3.8" WC/C.E. (0.947kPa) Manifold pressure Low 1.1" WC/C.E. (0.27kPa) Orifice size #32 Output - Fan ON 29,260 Btu/h (8.57Kwh) Output - Fan OFF 28,500 Btu/h (8.36Kwh) Altitude 0-2000 ft/pi (0-610m) Maximum Input 38,000 Btu/h (11.14Kwh) Minimum Input 20,000 Btu/h (5.86Kwh)</p>		<p>ÉQUIPÉ À L'USAGE POUR GAZ NATUREL: Pression d'alimentation minimum Pression à la tubulure d'échappement élevée Pression à la tubulure d'échappement élevée Dimensions de l'orifice Débit calorifique - Ventilateur en Marche Btu/h Débit calorifique - Ventilateur Éteint Btu/h L'altitude Débit calorifique maximum selon Débit calorifique minimum selon</p>		<p>Minimum Clearances to Combustibles/ Degagement Minimum Des Matériaux Combustibles</p>  <p>A 7'-1/2" / 190 mm B 4" / 100 mm E 2" / 50 mm</p> <p>Min. Ceiling Height from top of unit / Min. Plafond Hauteur en haut de l'appareil: 36" / 914 mm</p>	
<p>FACTORY EQUIPPED FOR NATURAL GAS: Model U45-NG3 Minimum supply pressure 5.0" WC/C.E. (1.24kPa) Manifold pressure High 3.8" WC/C.E. (0.94kPa) Manifold pressure Low 1.1" WC/C.E. (0.27kPa) Orifice size #33 Output - Fan ON 27,797 Btu/h (8.15Kwh) Output - Fan OFF 27,075 Btu/h (7.94Kwh) Altitude 2000-4500ft/pi (610-1370m) Maximum Input 36,100 Btu/h (10.57Kwh) Minimum Input 19,000 Btu/h (5.56Kwh)</p>		<p>ÉQUIPÉ À L'USAGE POUR GAZ NATUREL: Pression d'alimentation minimum Pression à la tubulure d'échappement élevée Pression à la tubulure d'échappement élevée Dimensions de l'orifice Débit calorifique - Ventilateur en Marche Btu/h Débit calorifique - Ventilateur Éteint Btu/h L'altitude Débit calorifique maximum selon Débit calorifique minimum selon</p>		<p>Minimum Clearances to Combustibles/ Degagement Minimum Des Matériaux Combustibles</p>  <p>A 7'-1/2" / 190 mm B 4" / 100 mm E 2" / 50 mm</p> <p>Min. Ceiling Height from top of unit / Min. Plafond Hauteur en haut de l'appareil: 36" / 914 mm</p>	
<p>Factory Equipped for Altitude 0-2000ft.</p>		<p>Convertible for Altitude 2000-4500ft. (Report No. 476-1299)</p>		<p>VENTING: Use listed Simpson Dura-Vent GS System. Only for direct discharge without duct connection. This appliance must be installed in accordance with the manufacturer's installation instructions and with local codes, if any; if not, follow the current ANSI Z223.1 in the USA or the current CAN/CGA-B149 in Canada. For Manufactured Home Installation: This Direct Vent System Appliance must be installed in accordance with the manufacturer's installation instructions and Manufactured Home Construction and Safety Standard Title 24 CFR, Part 3280, or the current Standard for Fire Safety Criteria for Manufactured Home Installations, Sites, and Communities ANSI/NFPA 501A, and with CAN/CSA Z240 MH Mobile Home Standard in Canada.</p> <p>Electrical supply 115VAC, 1.13 A, 60 Hz. Not for use with solid fuel.</p> <p>Fireplace Products International Ltd., Delta, BC, Canada MADE IN CANADA / FABRIQUE AU CANADA</p>	
<p>DOOR SEAL ADJUSTMENT: Please check that door is properly sealed. Periodic adjustment of latch may be required.</p>					

Copy of Safety Label for U45-LP3 Propane Stove

<p>Wamock Hersey  C US</p>	<p>Listed: GRAVITY DIRECT VENT WALL FURNACE Certified for/Certifiée pour: CANADA AND U.S.A. Tested to: CGA 2-17-M91, CAN1-2-19-M81, ANSI Z21.44-1995, UL307B-1995, ANSI Z21.88-1998/CGA 2.33-M98 REPORT NO. 476-1089 & 476-1752 (Jan. 2000)</p>	<p>DO NOT REMOVE THIS LABEL / NE PAS ENLEVER CETTE ÉTIQUETTE</p> <p>Serial No./No de serie <div style="border: 1px solid black; padding: 2px; text-align: center;">WH - U</div></p>	<p>Regency  FIREPLACE PRODUCTS</p> <p>MAY BE INSTALLED IN MANUFACTURED (MOBILE) HOMES AFTER FIRST SALE</p>																																				
<p>Model/Modele: U45-LP3</p>																																							
<p>FACTORY EQUIPPED FOR PROPANE GAS: Model U45-LP3</p> <table border="0" style="width: 100%;"> <tr> <td>Minimum supply pressure</td> <td>12"</td> <td>WC/C.E.</td> <td>(3.00kPa)</td> </tr> <tr> <td>Manifold pressure High</td> <td>11"</td> <td>WC/C.E.</td> <td>(2.74kPa)</td> </tr> <tr> <td>Manifold pressure Low</td> <td>2.9"</td> <td>WC/C.E.</td> <td>(0.72kPa)</td> </tr> <tr> <td>Orifice size</td> <td>50</td> <td>DMS</td> <td></td> </tr> <tr> <td>Output - Fan ON</td> <td>30,020</td> <td>Btu/h</td> <td>(8.8Kwh)</td> </tr> <tr> <td>Output - Fan OFF</td> <td>29,260</td> <td>Btu/h</td> <td>(8.58Kwh)</td> </tr> <tr> <td>Altitude</td> <td>0-2000</td> <td>ft/pi</td> <td>(0-610m)</td> </tr> <tr> <td>Maximum Input</td> <td>38,000</td> <td>Btu/h</td> <td>(11.14Kwh)</td> </tr> <tr> <td>Minimum Input</td> <td>20,000</td> <td>Btu/h</td> <td>(5.86Kwh)</td> </tr> </table>		Minimum supply pressure	12"	WC/C.E.	(3.00kPa)	Manifold pressure High	11"	WC/C.E.	(2.74kPa)	Manifold pressure Low	2.9"	WC/C.E.	(0.72kPa)	Orifice size	50	DMS		Output - Fan ON	30,020	Btu/h	(8.8Kwh)	Output - Fan OFF	29,260	Btu/h	(8.58Kwh)	Altitude	0-2000	ft/pi	(0-610m)	Maximum Input	38,000	Btu/h	(11.14Kwh)	Minimum Input	20,000	Btu/h	(5.86Kwh)	<p>ÉQUIPÉ À L'USINE POUR GAZ PROPANE: Modèle U45-LP3</p> <p>Pression d'alimentation minimum Pression à la tubulure d'échappement élevée Pression à la tubulure d'échappement élevée Dimensions de l'orifice Débit calorifique - Ventilateur en Marche Btu/h Débit calorifique - Ventilateur Éteint Btu/h L'altitude Débit calorifique maximum selon Débit calorifique minimum selon</p>	
Minimum supply pressure	12"	WC/C.E.	(3.00kPa)																																				
Manifold pressure High	11"	WC/C.E.	(2.74kPa)																																				
Manifold pressure Low	2.9"	WC/C.E.	(0.72kPa)																																				
Orifice size	50	DMS																																					
Output - Fan ON	30,020	Btu/h	(8.8Kwh)																																				
Output - Fan OFF	29,260	Btu/h	(8.58Kwh)																																				
Altitude	0-2000	ft/pi	(0-610m)																																				
Maximum Input	38,000	Btu/h	(11.14Kwh)																																				
Minimum Input	20,000	Btu/h	(5.86Kwh)																																				
<p>VENTING: Use listed Simpson Dura-Vent GS System. Only for direct discharge without duct connection. This appliance must be installed in accordance with the manufacturer's installation instructions and with local codes, if any; if not, follow the current ANSI Z223.1 in the USA or the current CAN/CGA-B149 in Canada.</p> <p>For Manufactured Home Installation: This Direct Vent System Appliance must be installed in accordance with the manufacturer's installation instructions and Manufactured Home Construction and Safety Standard Title 24 CFR, Part 3280, or the current Standard for Fire Safety Criteria for Manufactured Home Installations, Sites, and Communities ANSI/NFPA 501A, and with CAN/CSA Z240 MH Mobile Home Standard in Canada.</p> <p>Electrical supply 115VAC, 1.13 A, 60 Hz. Not for use with solid fuel.</p>																																							
<p>Minimum Clearances to Combustibles/ Degagement Minimum Des Matériaux Combustibles</p>  <p>A 7-1/2" / 190 mm B 4" / 100 mm E 2" / 50 mm</p> <p>Min. Ceiling Height from top of unit / Min. Plafond Hauteur en haut de l'appareil: 36" / 914 mm</p>		<p>908-708 WD rev. 01/00</p>																																					
<p>DOOR SEAL ADJUSTMENT: Please check that door is properly sealed. Periodic adjustment of latch may be required.</p>																																							


SAFETY LABEL

Copy of Safety Label for U29-NG2 & U29-LP2

Warrack Hersey Listed: GRAVITY DIRECT VENT WALL FURNACE
 Certified for/Certifiée pour: CANADA AND U.S.A.
 Tested to: CGA 2-17-M91, CAN1-2.19-M81, ANSI Z21.44-1995,
 ANSI Z21.88a-1998/CSA 2.33a-M98

WH - U

DO NOT REMOVE THIS LABEL / NE PAS ENLEVER CETTE ÉTIQUETTE
 Serial No./No de serie



908-998 WD
rev. 02/00

FACTORY EQUIPPED FOR NATURAL GAS: Model U29-NG2

Minimum supply pressure	5.0" WC/C.E. (1.24Kpa)
Manifold pressure High	3.8" WC/C.E. (0.947Kpa)
Manifold pressure Low	1.1" WC/C.E. (0.27Kpa)
Orifice size	#40 DMS
Output - Fan ON	21,330 Btu/h
Output - Fan OFF	20,790 Btu/h
Altitude	0-4500 ft/pi
Maximum Input	27,000 Btu/h
Minimum Input	13,500 Btu/h

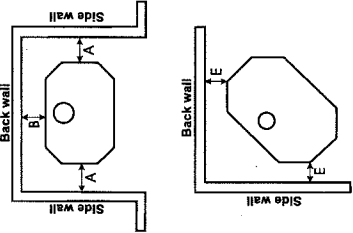
○ Model/Modele:
U29-NG2

FACTORY EQUIPPED FOR PROPANE: Model U29-LP2

Minimum supply pressure	12" WC/C.E. (3.00Kpa)
Manifold pressure High	11" WC/C.E. (2.74Kpa)
Manifold pressure Low	2.9" WC/C.E. (0.72Kpa)
Orifice size	#53 DMS
Output - Fan ON	21,924 Btu/h
Output - Fan OFF	21,411 Btu/h
Altitude	0-4500 ft/pi
Maximum Input	27,000 Btu/h
Minimum Input	13,500 Btu/h

○ Model/Modele:
U29-LP2

Minimum Clearances to Combustibles/ Degagement Minimum Des Matériaux Combustibles



A 7-1/2" / 190 mm
 B 6" / 150 mm
 E 2" / 50 mm

Min. Ceiling Height from top of unit / Min. Plafond Hauteur en haut de l'appareil: 36" / 914 mm

VENTING: Use listed Simpson Dura-Vent GS System. Only for direct discharge without duct connection. This appliance must be installed in accordance with the manufacturer's installation instructions and with local codes, if any; if not, follow the current ANSI Z223.1 in the USA or the current CAN/CGA-B149 in Canada.

For Manufacturer's Home Installation: This Direct Vent System Appliance must be installed in accordance with the manufacturer's installation instructions and Manufactured Home Construction and Safety Standard Title 24 CFR, Part 3280, or the current Standard for Fire Safety Criteria for Manufactured Home Installations, Sites, and Communities ANSI/NFPA 501A, and with CAN/CSA Z240 MH Mobile Home Standard in Canada.

Electrical supply 115VAC, 1.13 A, 60 Hz. Not for use with solid fuel.

Fireplace Products International Ltd., Delta, BC, Canada MADE IN CANADA / FABRIQUE AU CANADA

DOOR SEAL ADJUSTMENT:
 Please check that door is properly sealed.
 Periodic adjustment of latch may be required.

6

Regency U29-2/U45-3 ULTIMATE Direct Vent Freestanding Gas Stove

IMPORTANT: SAVE THESE INSTRUCTIONS

The ULTIMATE Direct Vent Freestanding Gas Stove must be installed in accordance with these instructions. Carefully read all the instructions in this manual first. Consult the building authority having jurisdiction to determine the need for a permit prior to starting the installation.

Note: Failure to follow the instructions could cause a malfunction of the heater which could result in death, serious bodily injury, and/or property damage. Failure to follow these instructions may also void your fire insurance and/or warranty.

Note: These instructions take precedence over Simpson Dura-Vent instructions.

SPECIFICATIONS

Fuels: U45-NG3 and U29-NG2 are approved for use with natural gas.

U45-LP3 and U29-LP2 are approved for use with liquefied petroleum gases (propane).

Electrical: 120V A.C. system.

Circulation Fan: Variable speed, 125/75.

Log Sets: Ceramic fibre, 3 per set.

Vent System: Coaxial (6-5/8" outer / 4" inner liner) rigid flue and termination cap.

The efficiency rating of the appliance is a product thermal efficiency rating determined under continuous operating conditions and was determined independent of any installed system.

INFORMATION FOR MOBILE/ MANUFACTURED HOMES AFTER FIRST SALE

This Regency product has been tested and listed by Warnock Hersey as a Direct Vent Wall Furnace to the following standards: ANSI Z21.44-1995, CAN1-2.19-M81, CGA 2.22-M96, CAN/CGA-2.17-M91 and ANSI Z21.50-1996.

This Direct Vent System Appliance must be installed in accordance with the manufacturer's installation instructions and the Manufactured Home Construction and Safety Standard, Title 24 CFR, Part 3280, or the current Standard of Fire Safety Criteria for Manufactured Home Installations, Sites, and Communities ANSI/NFPA 501A, and with CAN/CSA Z240-MH Mobile Home Standard in Canada.

This appliance installation must comply with the manufacturer's installation instructions and local codes, if any. In the absence of local codes follow the current National Fuel Gas Code, ANSI Z223.1 and the current National Electrical Code ANSI/NFPA 70 in the U.S.A., and the current CAN/CGA B149 Gas Installation Code and the current Canadian Electrical Code CSA C22.1 in Canada.

This Regency Mobile/Manufactured Home Listed appliance comes factory equipped with a means to secure the unit.

This Regency Mobile/Manufactured Home listed appliance comes equipped with a dedicated #8 ground lug to which an 18 gauge copper wire from the steel chassis ground must be attached.

This appliance may only be installed in an aftermarket permanently located, manufactured (mobile) home, where not prohibited by local codes.

This appliance is only use with the type of gas indicated on the rating plate. This appliance is not convertible for use with other gases, unless a certified kit is used.

BEFORE YOU START

Safe installation and operation of this appliance requires common sense, however, we are required by the Canadian Safety Standards and ANSI Standards to make you aware of the following:

INSTALLATION AND REPAIRS SHOULD BE DONE BY A QUALIFIED SERVICE PERSON. THIS APPLIANCE SHOULD BE INSTALLED, REPAIRED, INSPECTED BEFORE USE AND AT LEAST ANNUALLY BY A QUALIFIED SERVICE PERSON. MORE FREQUENT CLEANING MAY BE REQUIRED DUE TO EXCESSIVE LINT FROM CARPETING, ETC. IT IS IMPERATIVE THAT THE CONTROL COMPARTMENT, BURNERS AND CIRCULATING AIR PASSAGEWAYS OF THE APPLIANCE BE KEPT CLEAN.

DUE TO HIGH TEMPERATURES, THE APPLIANCE SHOULD BE LOCATED OUT OF TRAFFIC AND AWAY FROM FURNITURE AND DRAPERIES.

WARNING: FAILURE TO INSTALL THIS APPLIANCE CORRECTLY WILL VOID YOUR WARRANTY AND MAY CAUSE A SERIOUS HOUSE FIRE.

CHILDREN AND ADULTS SHOULD BE ALERTED TO THE HAZARDS OF HIGH SURFACE TEMPERATURES, ESPECIALLY THE FIRE-PLACE GLASS, AND SHOULD STAY AWAY TO AVOID BURNS OR CLOTHING IGNITION.

YOUNG CHILDREN SHOULD BE CAREFULLY SUPERVISED WHEN THEY ARE IN THE SAME ROOM AS THE APPLIANCE.

CLOTHING OR OTHER FLAMMABLE MATERIAL SHOULD NOT BE PLACED ON OR NEAR THE APPLIANCE.

INSTALLATION

- 1) Provide adequate clearances for servicing, proper operation and around the air openings into the combustion chamber.
- 2) The appliance may be installed on a flat, solid, continuous surface (e.g. wood, metal, concrete). This may be the floor, or it can be raised up on a platform to enhance its visual impact. The appliance may be installed on carpeting, tile, wood flooring or other combustible material, because the appliance's metal pedestal base extends the full width and depth of the appliance. The ULTIMATE Direct Vent Freestanding Gas Stove can be installed in a wide variety of ways and will fit nearly any room layout. It may be installed in a recessed position, framed out into the room, or across a corner.
- 3) The ULTIMATE Direct Vent Freestanding Gas Stove is approved for alcove installations, which meet the clearances listed on page 8. This unit is approved for manufactured home installations, see pages 12 and 13 for the required vent arrangements. If installed into a manufactured home the unit must be bolted down to the floor.
- 4) This appliance is Listed for bedroom installations when used with a Listed Millivolt Thermostat. Some areas may have further requirements, check local codes before installation.
- 5) This appliance is Listed for Alcove installations, maintain minimum Alcove clearances as follows, minimum width of 48", a maximum depth of 36", and minimum ceiling height of U45: 65-7/8" or U29: 64".
- 6) We recommend that you plan your installation on paper using exact measurements for clearances and floor protection before actually installing this appliance. Have a qualified building inspector review your plans before installation.

GENERAL SAFETY INFORMATION

- 1) The appliance installation must conform with local Canadian Electrical Code.
- 2) The appliance when installed, must be electrically grounded in accordance with local codes, or in the absence of local codes with the current National Electrical Code, ANSI/NFPA 70 or CSA C22.1 Canadian Electrical Code.
- 3) The appliance should be inspected for shipping damage before use and **serviced annually by a professional service person**. More frequent cleaning may be required due to excessive lint from carpet-

ing, bedding material, etc. It is imperative that control compartments, and circulating air passageways of the appliance be kept clean and free from excessive lint from carpeting.

- 4) See general construction and assembly instructions. The appliance and vent should be enclosed when installed in or passing through a living area, where children may come in contact with it.
- 5) This appliance must be connected to the specified vent and termination cap to the outside of the building envelope. Never vent to another room or inside a building. Make sure that the vent is fitted as per the instructions starting on page 10.
- 6) Inspect the venting system annually for blockage and any signs of deterioration.
- 7) Venting terminals shall not be recessed into a wall or siding.
- 8) Any safety glass removed for servicing must be replaced prior to operating the appliance.
- 9) To prevent injury, do not allow anyone who is unfamiliar with the operation to use the fireplace.

INSTALLATION CHECKLIST

- 1) Check Clearances to Combustibles (pages 8 & 9), location of unit (page 9) and venting requirements (pages 10 to 13).
- 2) U29: Install Optional Long Side Doors, page 9.
- 3) U29: Install Louvers, page 9.
- 4) Install vent restrictors, page 10.
- 5) Install venting, either with the DV Stove Horizontal Vent Kit (page 14) or the Dura-Vent Termination kits (page 16). Install Vent Restrictors prior to attaching any venting to top of unit, page 10.
- 6) Make gas connections, page 21. Test the pilot. Must be as per diagram, page 28.
- 7) Test Gas Pressure, page 22.
- 8) Install logs and embers, see page 23.
- 9) Install Front Door Front, page 23.
- 10) Install optional Remote Control, or Wall Thermostat, page 24.
- 11) Final check, page 25.

Before leaving this unit with the customer, the installer must ensure that the appliance is firing correctly and **operation fully explained to customer**.

This includes:

- 1) Locking the appliance to ensure the correct firing rate (rate noted on label) after burning appliance for 15 minutes.
- 2) If required, adjusting the primary air to ensure that the flame does not carbon. First allow the unit to burn for 15-20 min. to stabilize.

CAUTION: Any alteration to the product that causes sooting or carboning that results in damage is not the responsibility of the manufacturer.

CLEARANCES TO COMBUSTIBLES

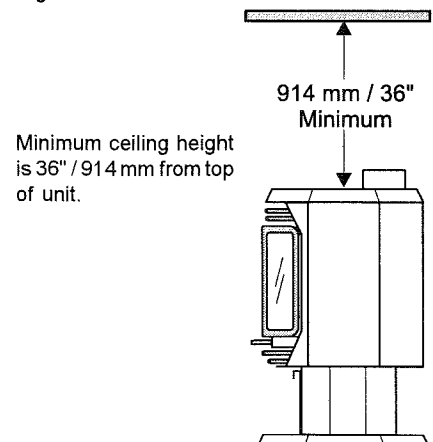
The clearances listed are MINIMUM distances. Measure the clearance to both the appliance and the chimney connector. **The farthest distance is correct if the two clearances do not coincide.**

For example, if the appliance is set as indicated in one of the figures but the connector is too close, move the stove until the correct clearance to the connector is obtained.

This appliance may be installed only with the clearances as shown in the situations pictured. **Do not combine clearances from one type of installation with another in order to achieve closer clearances.**

This unit can be installed on a solid combustible surface like a wood floor. This unit can also be installed directly on carpeting or vinyl when the bottom pedestal cover plate (provided with unit) is installed.

Use the minimum clearances shown in the diagrams below:



U45-NG3 & U45-LP3 Clearances

A Side Wall to Unit	7-1/2" / 190 mm
B Back Wall to Unit	4" / 100 mm
E Side Wall to Unit	2" / 50 mm

U45-NG3 & U45-LP3 Reference Dimensions

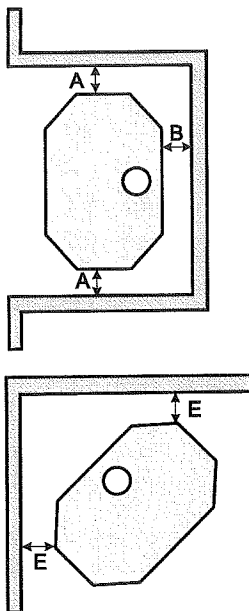
C Back Wall to Flue Centerline	11" / 280 mm
D Side Wall to Flue Centerline	22-1/8" / 562 mm
F Side Wall to Flue Centerline	12" / 305 mm

U29-NG2 & U29-LP2 Clearances

A Side Wall to Unit	7-1/2" / 190 mm
B Back Wall to Unit	6" / 150 mm
E Side Wall to Unit	2" / 50 mm

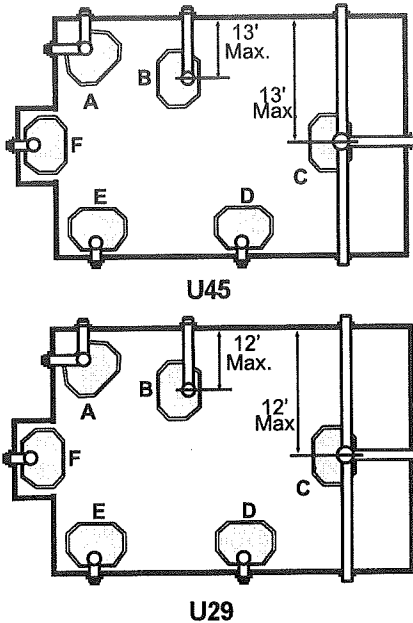
U29-NG2 & U29-LP2 Reference Dimensions

C Back Wall to Flue Centerline	11" / 280 mm
D Side Wall to Flue Centerline	20-1/2" / 521 mm
F Side Wall to Flue Centerline	11" / 280 mm



LOCATING YOUR ULTIMATE GAS STOVE

When selecting a location for your stove, ensure that the clearances listed above are met as well as ensuring that there is adequate accessibility for servicing and proper operation.

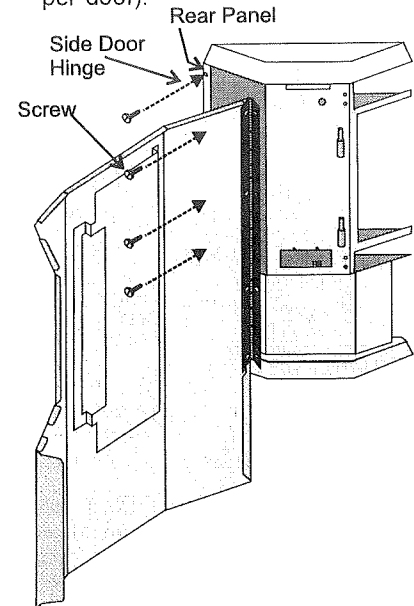


- A) Cross Corner
- B) Room Divider
- C) Island
- D) Flat on Wall
- E) Flat on Wall Corner
- F) Flush with Wall/Alcove

For Vent Termination requirements, see page 11.

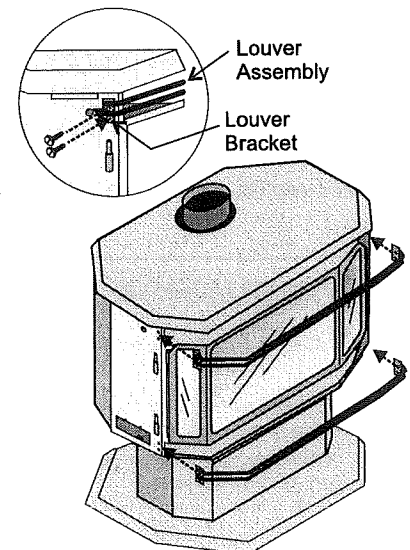
U29: OPTIONAL LONG SIDE DOOR INSTALLATION

- 1) Remove the screws holding the 2 short side doors to the unit.
- 2) Attach the long side doors to the stove body using the screws provided (4 per door).



U29: LOUVER INSTALLATION

- 1) Attach the top & bottom louvers to the side stove panel using 2 screws per side.



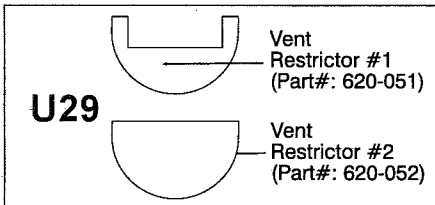
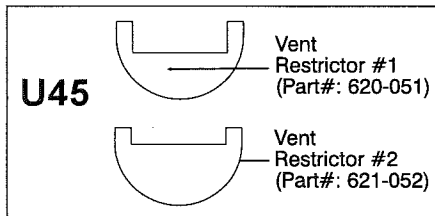
MANUFACTURED MOBILE HOME ADDITIONAL REQUIREMENTS

- 1) Ensure that structural members are not cut or weakened during installation.
- 2) Ensure proper grounding using the #8 ground lug provided.
- 3) Appliance must be anchored to the floor with the supplied anchoring methods.

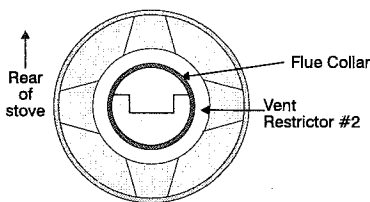
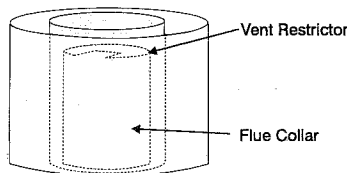
INSTALLATION

VENT RESTRICTORS #1 AND #2

Vent restrictors are required for certain venting installations, see the diagrams on pages 13 and 14 to determine if they are required for your installation. The two vent restrictors are supplied with your unit. If a vent restrictor is required it must be installed prior to connecting the pipe to the twist-lock appliance adaptor.



Slide the restrictor into the adaptor collar and push the tabs down between the inner flue collar and the inside pipe of the twist-lock appliance adaptor. See the diagram below.



The same procedure is used for vent restrictor #2.

COMBUSTION AND VENTILATION AIR

The combustion air from this appliance is drawn from outside the building through the outer flue. **Extra provision for combustion air inside the room is not required.**

VENTING INTRODUCTION

The DV Stove Horizontal Vent Kit and the Simpson Dura-Vent Direct Vent System Model DV-GS venting systems, in combination with the ULTIMATE Direct Vent Freestanding Gas Stove, U45-NG3, U45-LP3, U29-NG2, and U29-LP2, have been tested and listed as direct vent heater systems by Warnock Hersey.

These units use the "balanced flue" technology Co-Axial system. The inner liner vents products of combustion to the outside while the outer pipe draws outside combustion air into the combustion chamber thereby eliminating the need to use heated room air for combustion and losing warm room air up the chimney.

Note: These flue pipes must not be connected to any other appliance.

The gas appliance and vent system must be vented directly to the outside of the building, and never be attached to a chimney serving a separate solid fuel or gas burning appliance. Each direct vent gas appliance must use its own separate vent system. Common vent systems are prohibited.

IMPORTANT

Read all instructions carefully before starting the installation. Failure to follow these instructions may create a fire or other safety hazard, and will void the warranty. Be sure to check the venting and clearance to combustible requirements. Consult your local building codes before beginning installation.

The location of the termination cap must conform to the requirements in the Exterior Vent Terminal Locations diagram on page 11.

INSTALLATION PRECAUTIONS

These venting systems are engineered products that have been designed and tested for use with the U45-NG3, U45-LP3, U29-NG2, and U29-LP2. The warranty will be voided and serious fire, health or other safety hazards may result from any of the following actions:

- 1) Installation of any damaged Direct Vent component
- 2) Unauthorized modification of the Direct Vent System
- 3) Installation of any component part not manufactured or approved by Simpson Dura-Vent or Fireplace Products International Ltd.

- 4) Installation other than as instructed by Simpson Dura-Vent and Fireplace Products International Ltd.

Warning: Always maintain required clearances (air spaces) to nearby combustibles to prevent a fire hazard. Do not fill air spaces with insulation.

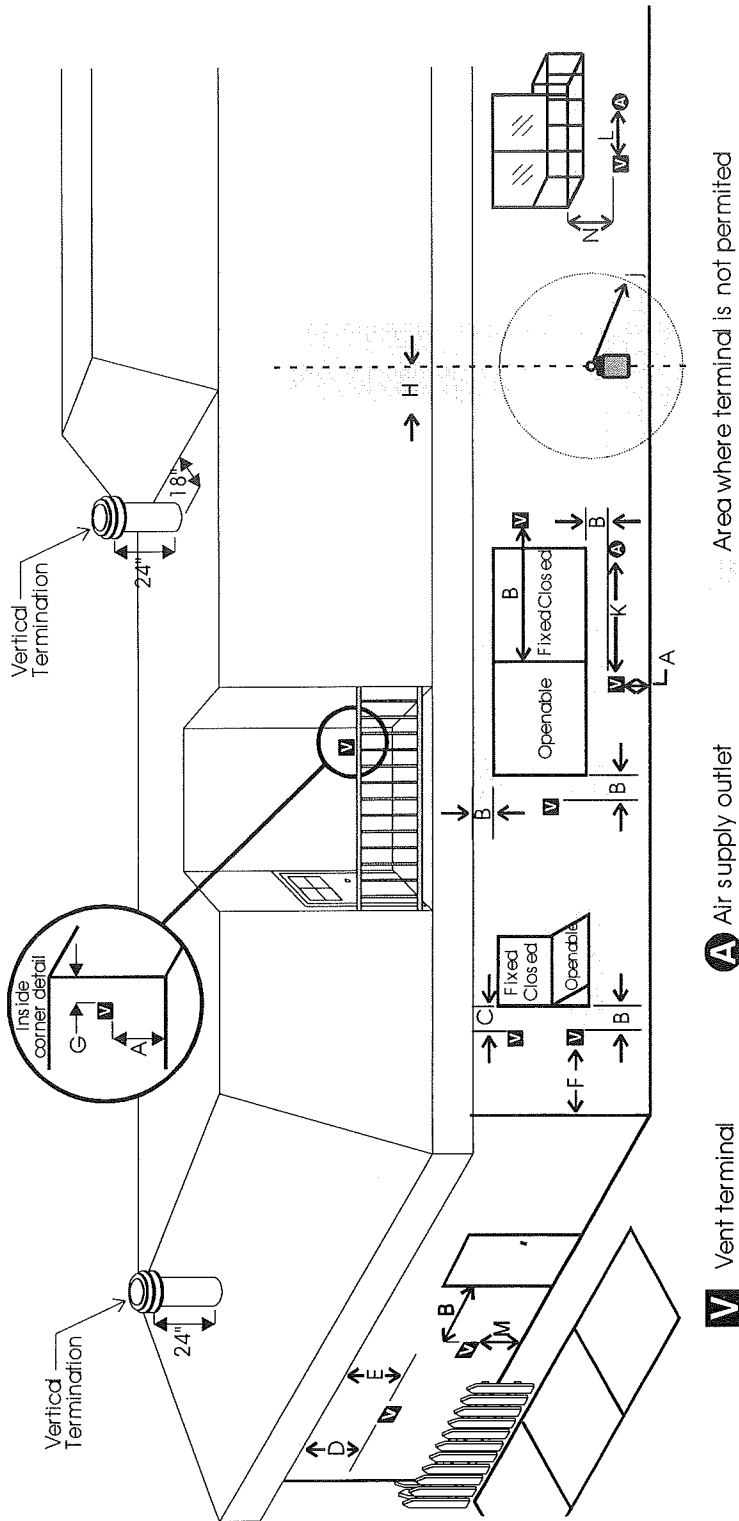
Be sure to check the vent termination clearance requirements from decks, windows, soffits, gas regulators, air supply inlets and public walkways as specified in the Exterior Vent Terminal Locations on page 11 and in your local building codes.

The gas appliance and vent system must be vented directly to the outside of the building, and never be attached to a chimney serving a separate solid fuel or gas-burning appliance. Each direct vent gas appliance must use its own separate vent system. Common vent systems are prohibited.

SAFETY PRECAUTIONS FOR THE INSTALLER

- 1) Wear gloves and safety glasses for protection.
- 2) Exercise extreme caution when using ladders or on roof tops.
- 3) Be aware of electrical wiring locations in walls and ceilings.

EXTERIOR VENT TERMINAL LOCATIONS



- V** Vent terminal
 - A** Air supply outlet
 - A=** Clearance above grade, veranda, porch, deck, or balcony *(min. 12"/30cm)
 - B=** Clearance to window or door that may be opened *(12"/30cm)
 - C=** Clearance to permanently closed window *(min. 12"/30cm) recommended to prevent condensation on window
 - D=** Vertical clearance to ventilated soffit located above the terminal within a horizontal distance of (24"/60cm) from the centerline of the terminal (min. 18"/46cm) check with local code.
 - E=** Clearance to unventilated soffit (min. 12"/30cm)
 - F=** Clearance to outside corner: with **AstroCap** Termination Cap (min. 6"/15cm), with Dura-Vent termination cap (min. 12"/30cm)
 - G=** Clearance to inside corner: with **AstroCap** Termination Cap (min. 6"/15cm), with Dura-Vent termination cap (min. 12"/30cm)
 - H=** Not to be installed above a meter/regulator assembly within (3'/90cm) horizontally from the centerline of the regulator.
 - J=** Clearance to service regulator vent outlet *(Canada: min. 72"/1.8m, USA: min 36"/90cm)
 - K=** Clearance to non-mechanical air supply inlet to building or the combustion air inlet to any other appliance *(12"/30cm)
 - L=** Clearance to a mechanical air supply inlet *(min. 72"/1.8m)
 - M=** **Clearance above paved sidewalk or a paved driveway located on public property *(min. 84"/2.1m)
 - N=** Clearance under veranda, porch, deck, or balcony *(min. 12"/30cm)***
- Area where terminal is not permitted

Note: * As specified in CGA B149 Installation Code. Note: Local codes or regulations may require different clearances.
 **A vent shall not terminate directly above a sidewalk or paved driveway which is located between two single family dwellings and serves both dwellings.
 ***Only permitted if veranda, porch, deck, or balcony is fully open on a minimum of two sides beneath the floor.

INSTALLATION

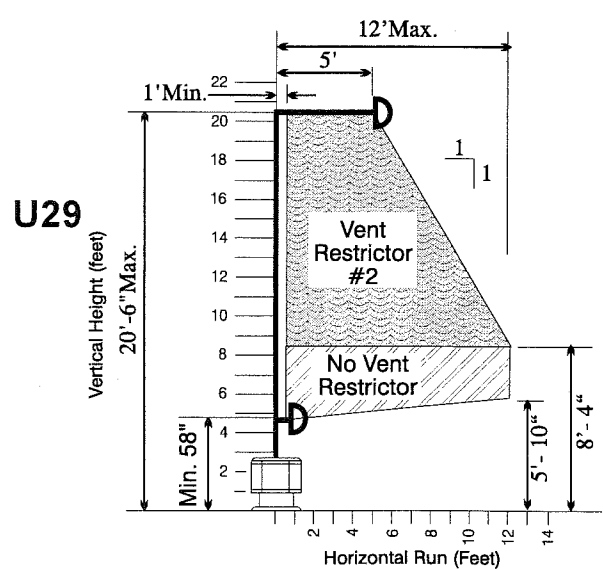
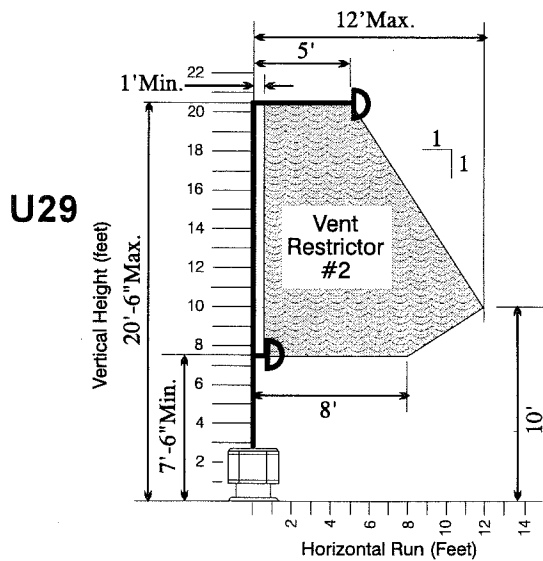
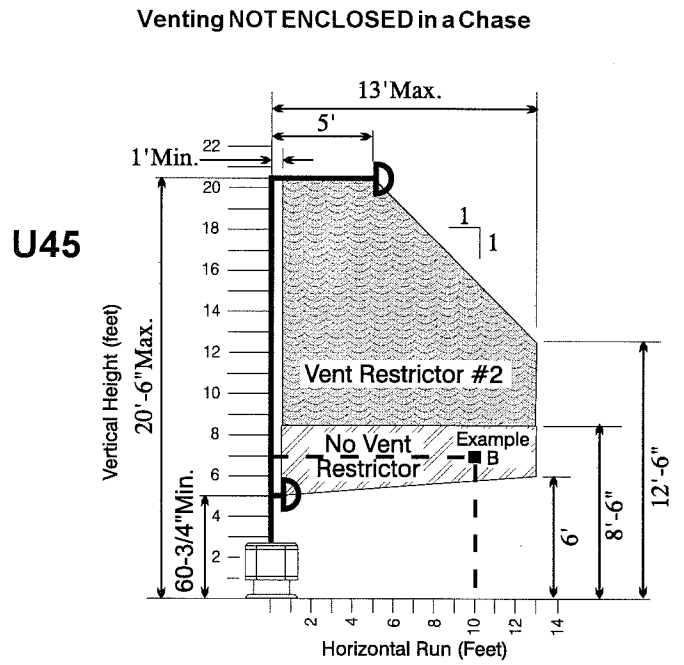
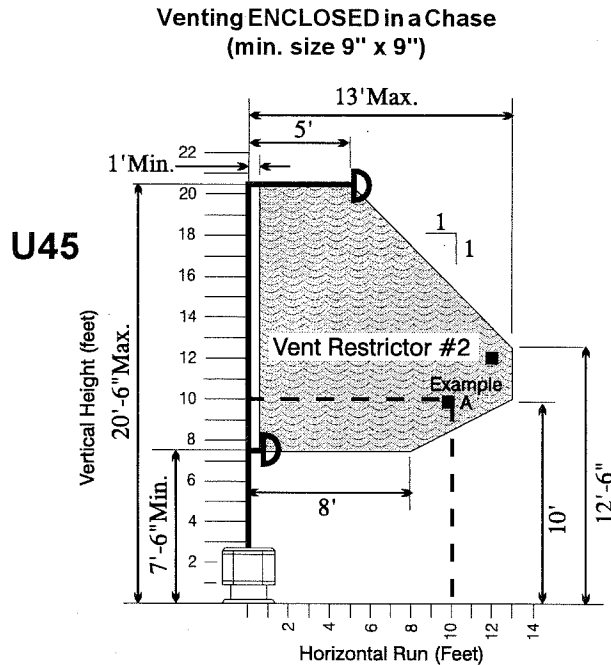
VENTING ARRANGEMENTS - HORIZONTAL TERMINATIONS FOR ALL VENTING SYSTEMS

The shaded areas in the four diagrams below show all allowable combinations of vertical runs with horizontal terminations. Maximum one 90° elbow (two 45° elbows equal one 90° elbow).

RESIDENTIAL AND Manufactured Homes / Mobile Homes Installations

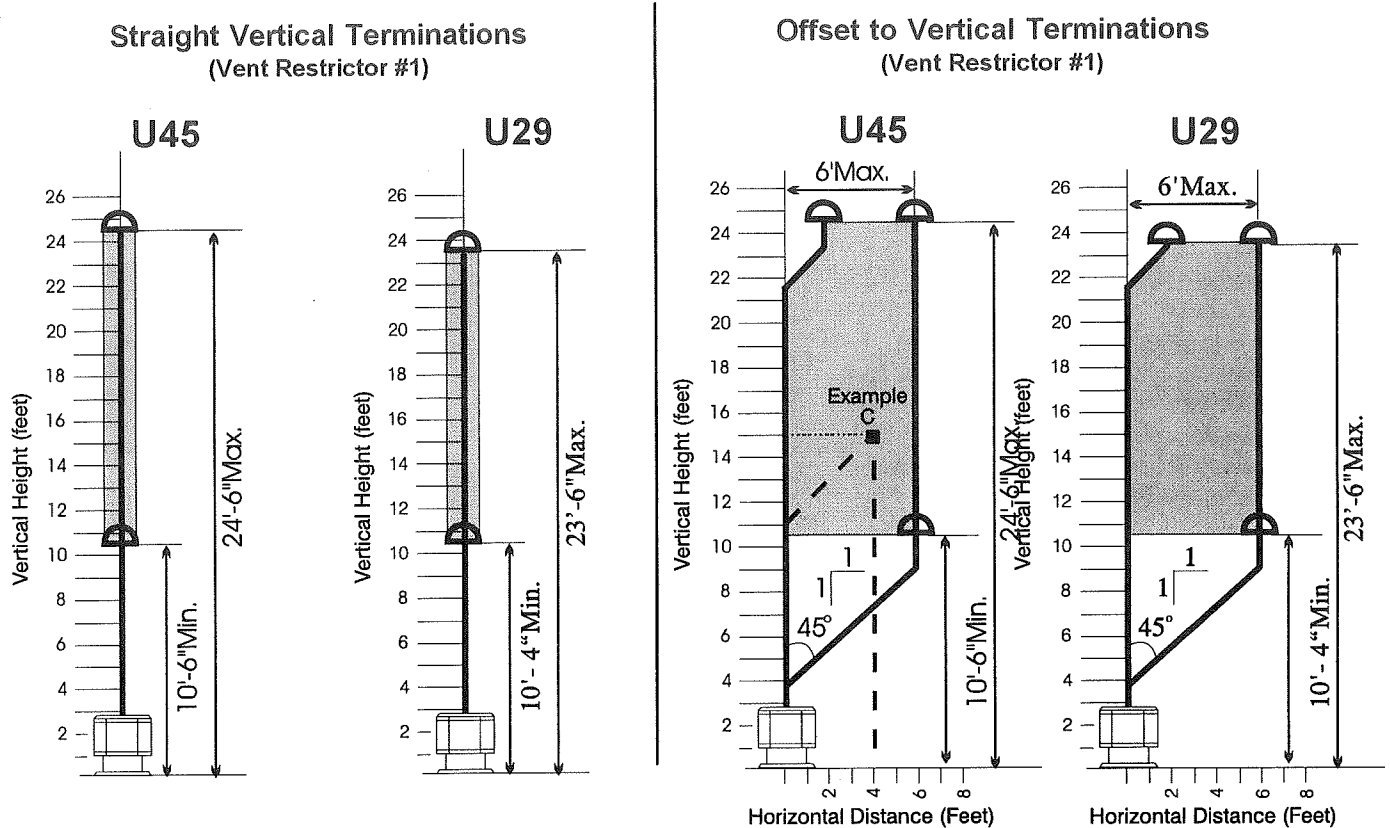
The venting arrangements diagrammed below, have a minimum of 75% (flue loss) efficiency with Fan Off, as required for manufactured homes. (Actual efficiency may be as high as 85%.)

Note: See page 10 for installation instructions for the Vent Restrictors. These must be installed before the pipe is connected to the unit. The vent restrictors are shipped inside the stove.



VENTING ARRANGEMENTS - VERTICAL TERMINATIONS USING DURA-VENT VENTING SYSTEM FOR BOTH RESIDENTIAL & MANUFACTURED HOMES/MOBILE HOMES

The shaded areas in the two diagrams below show all allowable combinations of straight vertical and offset to vertical runs with vertical terminations. **Maximum two 45° elbows.** All vertical and offset to vertical vent installations require Vent Restrictor #1. If the vent is ENCLOSED in a chase (min. size 9" x 9") maintain a 1-1/4" clearance to combustibles.



- If you are terminating within this shaded area Vent Restrictor #2 must be used.
- If you are terminating within this shaded area no Vent Restrictor is required.
- If you are terminating within this shaded area Vent Restrictor #1 must be used.

Venting Arrangements Examples:

- Example A) Venting enclosed in a chase with horizontal termination.
A 10 ft. vertical run with 10 ft. horizontal run falls within the shaded area, and therefore is an allowable installation with Vent Restrictor #2.
- Example B) Venting is not enclosed and has a horizontal termination.
A 7 ft. vertical run with 10 ft. horizontal run falls within the shaded area, and therefore is an allowable installation with no vent restrictor required.
- Example C) Offset to Vertical Vent - Venting is enclosed in a chase with vertical termination.
A 15 ft. vertical run with 4 ft. horizontal offset distance falls within the shaded area and is an allowable installation with Vent Restrictor #1.

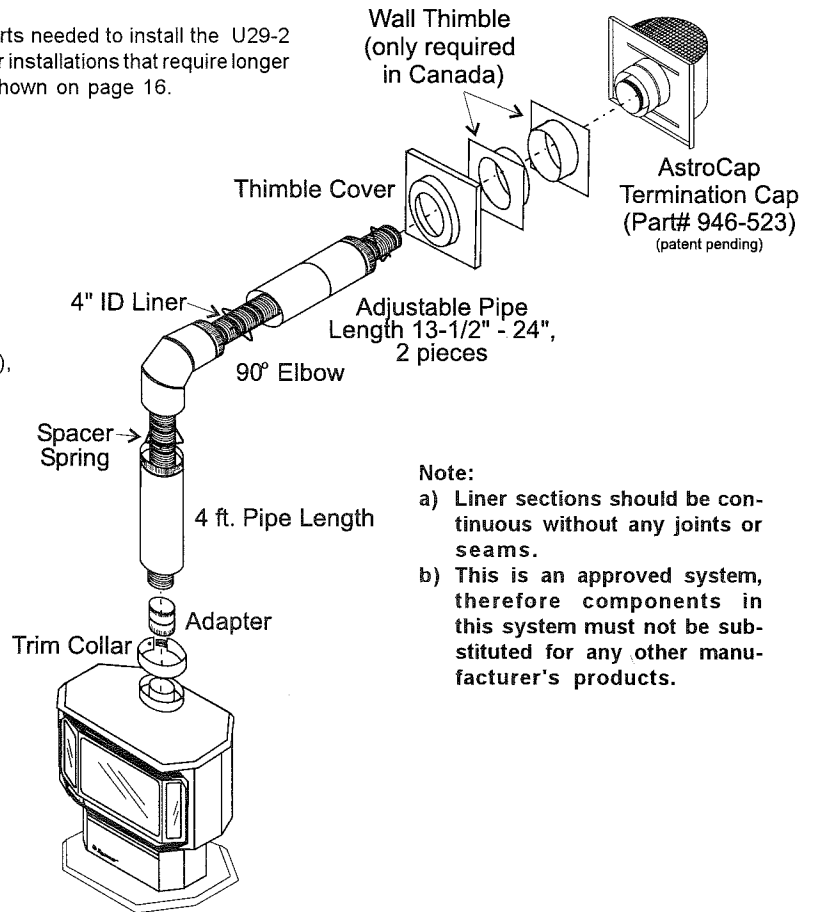
INSTALLATION

DV STOVE HORIZONTAL VENT KIT

DV Stove Horizontal Vent Kit (Part # 946-216) includes all the parts needed to install the U29-2 or U45-3 with minimum horizontal and vertical vent dimensions. For installations that require longer vertical and/or horizontal vents use the Dura-Vent system as shown on page 16.

Qty. Description

- 1) 1 Rigid Pipe Section (4 ft. (1.2m) length), 6-1/2" (165mm) inside diameter
- 2) 1 Flex Liner - 4" (102mm) inside diameter, compressed aluminium 2 ply liner
- 3) 5 spring spacers
- 4) 1 90 deg. Elbow
- 5) 1 Adjustable pipe section 13-1/2" to 24" (343mm x 610mm), 2 pieces
- 6) 1 Thimble Cover
- 7) 1 Wall Thimble (2 pcs.)
- 8) 1 Adapter
- 9) 1 **AstroCap** Termination Cap
- 10) 1 Trim Collar
- 11) 1 tube of Mill-Pac, high temperature sealant
- 12) 12 Screws, #8 x 1/2" Self tapping, Stainless Steel
- 13) 13 Screws, #8 x 1/2" Self tapping, Black
- 14) 4 Screws #8 x 1-1/2" Drill Point, Black
- 15) 4 Screws #8 x 1-1/2" Drill Point, Stainless Steel
- 16) 8 Wood screws #8 x 1"



Note:

- a) Liner sections should be continuous without any joints or seams.
- b) This is an approved system, therefore components in this system must not be substituted for any other manufacturer's products.

DV STOVE HORIZONTAL VENT KIT (#946-216) INSTALLATION

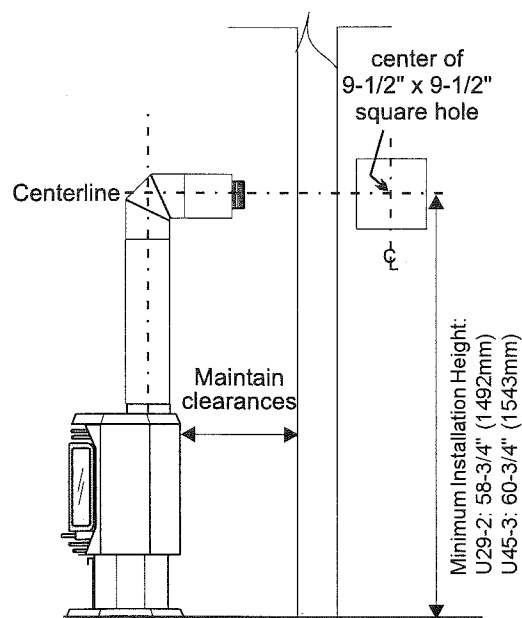
Review the following sequence of instructions which are typical of most installations. The sequence may vary depending on wall thickness. Refer to vent location and clearance dimensions on pages 8, and 11 to 13. If a Vent Restrictor is required it must be installed **BEFORE** any venting is attached to the stove.

- 1) Set the unit in its desired location. Check to determine if wall studs will be in the way of the venting system, adjust location until all clearances are met and there are no obstructions.

Note: A 1-1/2" (38mm) clearance around the outer pipe must be maintained except that only a 1" (25mm) clearance is needed at the termination end.

IMPORTANT:

Do not locate termination hood where excessive snow or ice build-



up may occur. Be sure to check vent termination area after snow falls, and clear to prevent accidental blockage of venting system. When using snow blowers, make sure snow is not directed towards vent termination area.

- 2) Assemble a trial fit to determine the vertical center-line for the vent termination.

- a) Cut a 9-1/2" x 9-1/2" (241 mm x 241 mm) square hole on both the interior and exterior wall.
- b) Install wall thimbles on both interior and exterior wall with 4 wood screws (#8 x 1") per thimble.
- c) Attach the 2 piece adjustable pipe section to the vent terminal and slide into position from the exterior. The larger diameter end of the adjustable pipe goes to the vent terminal.

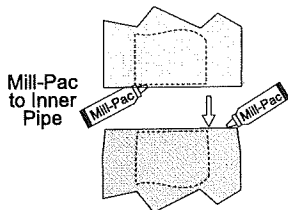
- d) Install the 90° elbow onto the adjustable pipe to determine the vertical centerline of the starter collar on the unit.

Note: if the centerline cannot be met, the adjustable sections will have to be cut.

- e) Cut the 4 ft. section of rigid pipe to length. Ensure that the pipe length when cut will seat onto both the starter collar and the 90° elbow. **Crimped section of rigid pipe seats into the 90° elbow. Only cut the un-crimped side of pipe.**

Dismantle all pipe sections including vent terminal.

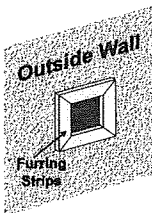
- 3) Attach the 4" dia. flex liner to the vent terminal ensuring that the flex overlaps the collar of the vent terminal by a minimum of 1-3/8" (35mm). Use Mill-Pac to seal and secure with 3 of the #8 x 1/2" screws (stainless steel).
- 4) Attach the adjustable pipe section to the vent terminal using Mill-Pac and/or high temperature silicone and attach with 3 of the #8 x 1/2" screws (stainless steel).



Hint: Apply the sealant (Mill-Pac and/or high temperature silicone) to the outer pipe before connecting the inner pipe.

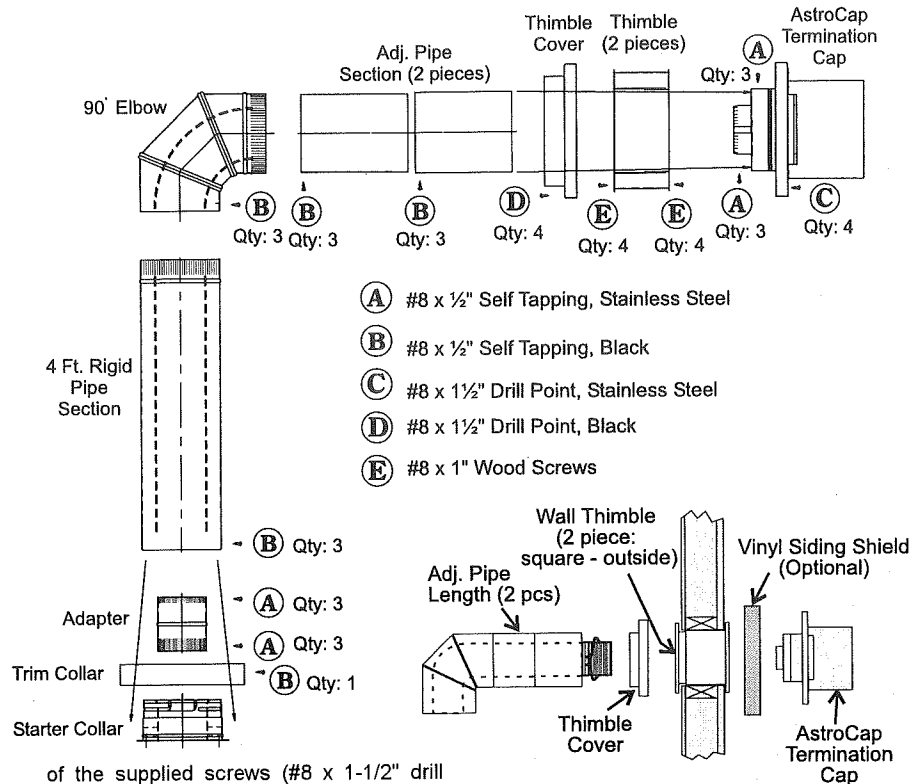
Note: The pipe seam should be facing down.

Note: To make the installation more aesthetically pleasing, we recommend framing out a square that the cap can be mounted on.



Note: If installing termination on a siding covered wall, a vinyl siding standoff or furring strips must be used to ensure that the termination is not recessed into the siding. For vinyl siding standoff installation refer to the Dura-Vent Termination instructions.

- 5) Slide the partially connected pipe and vent terminal assembly through the wall thimbles (from the exterior into the interior) and secure the cap to the exterior wall with 4



of the supplied screws (#8 x 1-1/2" drill point, stainless steel). Note: pilot holes will need to be drilled through the wall thimble on all 4 corners.

Note: The four screws provided for the vent cap should be replaced with appropriate fasteners for stucco, brick, concrete, or other types of sidings.

- 6) A bead of non-hardening mastic should be run around both the termination and vinyl siding standoff to prevent water from entering and to make a tight seal between the cap and the standoff.
- 7) Stretch the 4" dia. flex liner out fully and get a trial fit of the liner onto the 4" dia. starter collar.
- 8) Cut the 4" dia. flex liner to the desired size.
- Hint: leave an extra 12" to 16" of length, this will make the final assembly easier to work with.
- 9) Secure the 4" dia. flex liner to the 4" adapter with Mill-Pac and 3 of the #8 x 1/2" screws (stainless steel).
- 10) Slide the decorative Thimble Cover over the pipe sections and secure with 4 screws (#8 x 1-1/2" drill point, black) to the wall.

- 11) Slide the 90° elbow (crimp end up) and the 4 ft. pipe section (crimp end up) over the 4" dia. flex liner.

- 12) Install the spring spacers onto the pipe sections.

- 13) Secure the 4" dia. flex liner with adapter onto the stove collar. Put a bead of Mill-Pac around the appliance adapter and secure with 3 screws (#8 x 1/2, stainless steel).

- 14) Attach the pipe section onto the starter collar by sealing with Mill-Pac and/or high temperature silicone and securing with 3 of the #8 x 1/2" (black) screws. Pipe seams should be facing the wall.

- 15) Attach the 90° elbow onto the pipe section by sealing with Mill-Pac and/or high temperature silicone and securing with 3 of the #8 x 1/2" screws (black).

- 16) Slide the adjustable pipe section onto the 90° elbow. The flex may have to be compressed back in order for the adjustable pipe to properly mate to the elbow. Seal with Mill-Pac and/or high temperature silicone and secure with 3 of the #8 x 1/2" screws (black). Pipe seams facing down.

- 17) Install the trim collar over the starter collar and secure with a #8 x 1/2" screw (black).

If the pipe needs to be touched up, use only Stove Brite High Temperature Metallic Black Stove Paint.

NOTE: All inner joints must be sealed with Mill-Pac. All outer joints may be sealed with high temperature silicone.

INSTALLATION

DURA-VENT TERMINATION KIT

Planning Your Dura-Vent Installation

There are two basic types of Dura-Vent Direct Vent System installations: horizontal termination and vertical termination. Confirm the maximum horizontal run and maximum vertical rise from the diagrams on pages 12 and 13.

When planning your installation, it will be necessary to select the proper length of vent pipe for your particular requirements. For horizontal installations, determine the minimum clearance from the rear of the unit to the wall. It is also important to note the wall thickness. (The wall thimble is suitable for 2 x 4 or 2 x 6 wall construction.) Select the amount of vertical rise desired for "vertical-to-horizontal" type installations.

Warning: Always maintain required clearances (air spaces) to nearby combustibles to prevent a fire hazard. Do not fill air spaces with insulation.

The minimum clearance requirements between the outer wall of the vent pipe and nearby combustible surfaces is 1-1/4 inch. Be sure to check the vent termination clearance requirements from decks, windows, soffits, gas regulators, air supply inlets and public walkways as specified in the Exterior Vent Terminal Locations on page 11 and in your local building codes.

To determine the length of vent pipe required for vertical installations, measure the distance from the unit flue outlet to the ceiling, the ceiling thickness, the vertical rise in an attic or second storey, and allow for sufficient vertical height above the roof line.

For multi-storey applications, fire stops are required at each floor level. If an offset is needed, additional pipe, elbows and supports will be required.

Do not exceed the maximum number of elbows. One 90° for horizontal terminations and two 45° for vertical termination.

DURA-VENT VENTING COMPONENTS

The Simpson Dura-Vent Direct Vent System offers a complete line of component parts for installation of both horizontal and vertical installation. Many items are offered in decorative black, as well as galvanized finish. The galvanized pipe and fittings are used for concealed locations such as attics or where corrosion is a factor, such as above the roof line. Decorative brass trim kits are available for both wall thimbles and ceiling support boxes.

Part #	Description
971	Horiz. Termination Kit includes: 90° black elbow, wall thimble cover, horiz. square termination cap, 24" black pipe, 11" -14" 5/8" adjustable black pipe
970	Basic Horiz. Termination Kit includes: 90° black elbow, wall thimble cover, horiz. square term. cap
978	Vert. Termination Kit includes 0/12 - 6/12 pitch adjustable flashing, storm collar, low profile term. cap
908B	6" Pipe Length-Black
907B	9" Pipe Length-Black
906	12" Pipe Length Galv.
906B	12" Pipe Length-Black
904	24" Pipe Length Galv.
904B	24" Pipe Length-Black
903	36" Pipe Length Galv.
903B	36" Pipe Length-Black
902	48" Pipe Length Galv.
902B	48" Pipe Length-Black
911B	11"-14 5/8" Adj. Pipe Length-Black
917B	17"- 24" Adj. Pipe Length Black
945	45° Elbow Galv.
945B	45° Elbow-Black
945G	45° Elbow-Swivel Galv.
945BG	45° Elbow-Swivel-Black
990	90° Elbow Galv.
990B	90° Elbow-Black
990G	90° Elbow-Swivel Galv.
990BG	90° Elbow-Swivel-Black
991	High Wind Term. Cap (Vertical)
980	Vertical Term. Cap
984	Horiz. Sq. Term. Cap
985	Horiz. Sq. High Wind Termination Cap
982	Snorkel-14" Rise Term.Cap
981	Snorkel-36" Rise Term.Cap
940	Wall Thimble-Support/Box
941	Cathedral/Ceiling-Support/Box
3951	Brass Trim for Cathedral
963	Firestop Spacer
943	Flashing 0/12-6/12
943S	Flashing 7/12-12/12
953	Storm Collar
950	Vinyl Siding Standoff
988	Wall Strap
942	Wall Thimble

Parts not supplied by Dura-Vent

946-506/P	Vent Guard (Optional)
640-530	Riser Vent Terminal (Optional)
948-128	Vinyl Siding Shield for Riser Vent Terminal
946-228	Horizontal Square Termination Cap

You will require the following components with your new Regency Direct Vent Freestanding Gas Stove. Please review your product to make sure you have everything you need. In the event that you are missing any part, contact your dealer.

Note: *These are the minimum pieces required. Other parts may be required for your particular installation. See page 16 for a list of vent parts.*

If installing termination on a siding covered wall, a vinyl siding standoff or furring strips can be used in order to ensure that the termination is not recessed into siding.

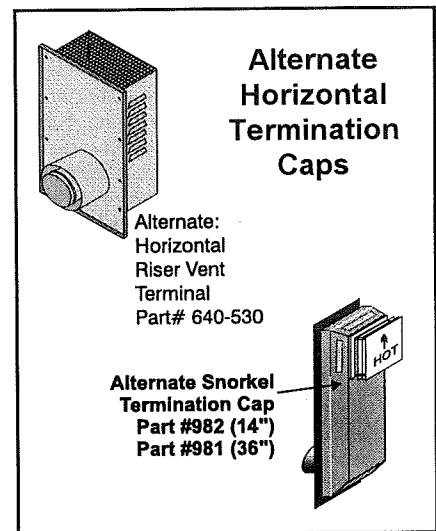
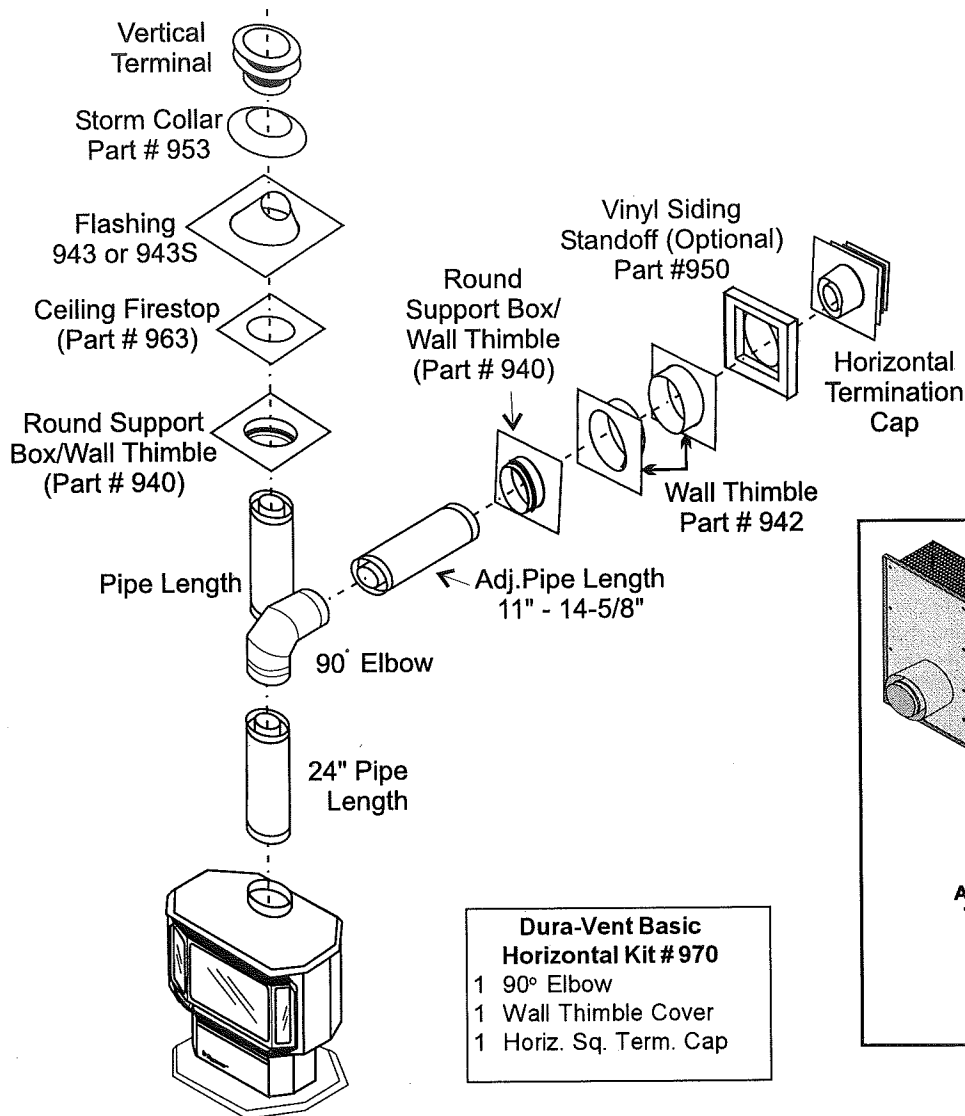
The vinyl siding standoff is required for walls with vinyl siding.

Minimum components for a Dura-Vent Horizontal Installation:

- A) Dura-Vent Horizontal Termination Kit
- B) Wall Thimble (required for combustible walls)

Minimum components for a Dura-Vent Vertical Termination:

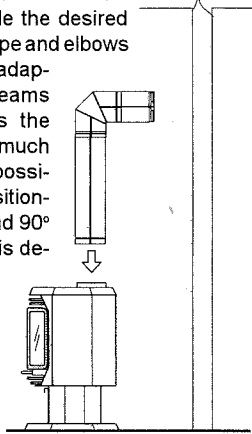
- C) Dura-Vent Vertical Termination Kit
- See page 16 for pipe lengths.



INSTALLATION

DURA-VENT HORIZONTAL INSTALLATIONS

- 1) Set the unit in its desired location. Check to determine if wall studs or roof rafters are in the way when the venting system is attached. If this is the case, you may want to adjust the location of the unit.
- 2) Direct Vent pipe and fittings are designed with special twist-lock connections to connect the venting system to the appliance flue outlet. A twist-lock appliance adaptor is installed on the unit at the factory. Assemble the desired combination of pipe and elbows to the appliance adaptor with pipe seams oriented towards the wall or ceiling, as much out of view as possible. The final positioning of the pipe and 90° elbow assembly is determined by the mounting orientation of the adaptor on the stove and twist-locked for a solid connection.



Note:

- a) Twist-lock procedure: Four indentations, located on the female ends of pipes and fittings, are designed to slide straight onto the male ends of adjacent pipes and fittings, by orienting the four pipe indentations so they match and slide in to the four entry slots on the male ends (diagram 1). Push the pipe sections completely together, then twist-lock one section clockwise approximately one-quarter turn, until the two sections are fully locked. The female locking lugs will not be visible from the outside on the Black Pipe or fittings. They may be located by examining the inside of the female ends. Apply sealant "Mill-Pac" to inner pipe and high temp silicone sealant to outer pipe on every twist-lock joint.

Hint: Apply silicone to female end.

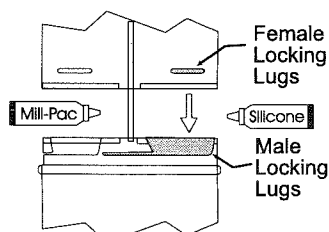


Diagram 1

- b) Horizontal runs of vent must be supported every three feet. Wall straps are available for this purpose.
- 3) With the pipe attached to the stove, slide the stove into its correct location, and mark the wall for a 10" x 10" (inside dimensions) square hole. The center of the square hole should line up with the centerline of the horizontal pipe, as shown in diagram 2. Cut and frame the 10 inch square hole in the exterior wall where the vent will be terminated. If the wall being penetrated is constructed of non-combustible material, i.e. masonry block or concrete, a 7" diameter hole is acceptable.

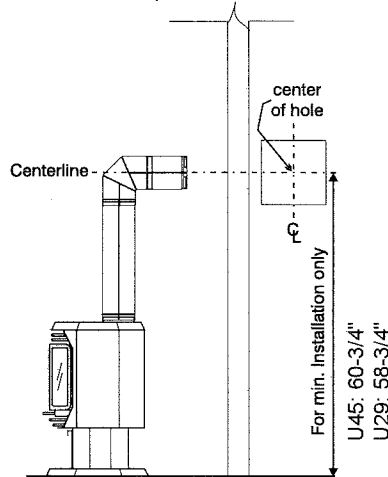


Diagram 2

Note:

- a) The horizontal run of vent should have a 1/4 inch rise for every 1 foot of run towards the termination. Never allow the vent to run downward. This could cause high temperatures and may present the possibility of a fire.
- b) The location of the horizontal vent termination on an exterior wall must meet all local and national building codes, and must not be blocked or obstructed. For External Vent Terminal Locations, see diagram on page 11.
- c) **Snorkel Terminations:** For installations requiring a vertical rise on the exterior of the building, 14-inch and 36-inch tall Snorkel Terminations as shown in Dia. 3 are available, as well as the standard Riser Vent, see Dia. 3a. Follow the same installation procedures as used for standard Horizontal Termination. NEVER install the snorkel upside down.

*Dia 3, 3a & 4: As specified in CGA B149 Installation Code. Local codes or regulations may require different clearances.

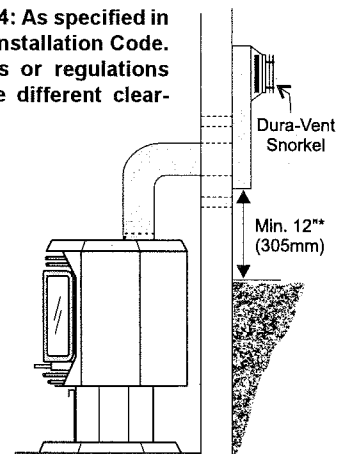


Diagram 3

NOTE: For Snorkel terminations in ABOVE grade installations, follow national or local code requirements.

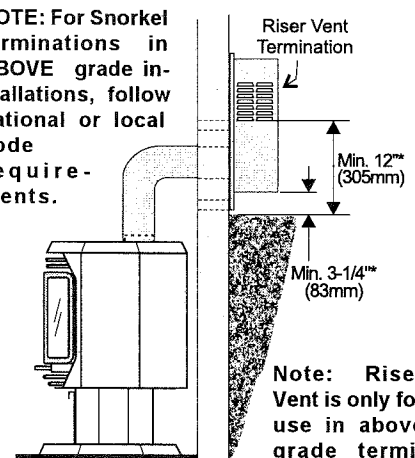


Diagram 3a

Note: Riser Vent is only for use in above grade terminations.

Below Grade Installation

If the Snorkel Termination must be installed below grade, i.e. basement application, proper drainage must be provided to prevent water from entering the Snorkel Termination. Refer to Dia. 4. Do not attempt to enclose the Snorkel within the wall, or any other type of enclosure.

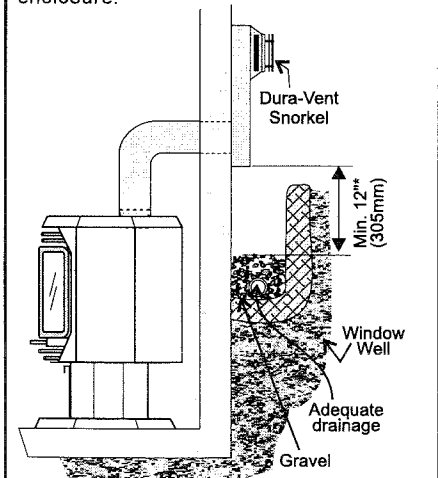


Diagram 4

- 4) If installing the vent termination to a wall with vinyl siding, the Vinyl Siding Standoff must be used. Attach the Vinyl Siding Standoff to the Horizontal Vent Termination, but first run a bead of non-hardening mastic around its outside edges, so as to make a seal between vent cap and the standoff. Install the Vinyl Siding Standoff (Part # 950) between the vent cap and the exterior wall and attach with the four wood screws provided. Seal around the Vinyl Siding Standoff on all four sides. Diagram 5. **The arrow on the vent cap should be pointing up.** Insure that the 1-1/4" clearances to combustible materials are maintained. See diagram 5.

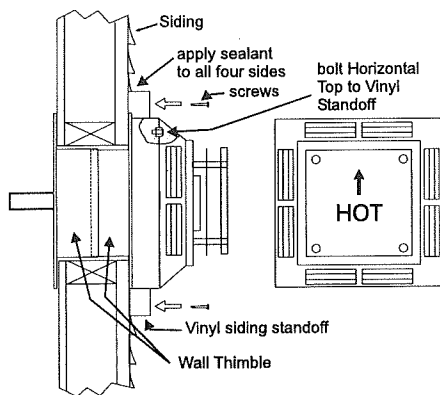


Diagram 5

Note: If installing termination on a siding covered wall, a vinyl siding standoff or furring strips must be used to ensure that the termination is not recessed into the siding. The four wood screws provided should be replaced with appropriate fasteners for stucco, brick, concrete, or other types of sidings.

- 5) Before connecting the horizontal run of vent pipe to the vent termination, slide the black decorative wall thimble cover over the vent pipe, then slide the Wall Thimble (Part # 942) over the vent pipe.
- 6) Slide the appliance and vent assembly towards the wall carefully inserting the vent pipe into the vent cap assembly. It is important that the vent pipe extends into the vent cap a sufficient distance so as to result in a minimum pipe overlap of 1-1/4 inches. Secure the connection between the vent pipe and the vent cap by attaching the two sheet metal strips extending from the vent cap assembly into the outer wall of the vent pipe. Use the two sheet metal screws provided to connect the strips to the pipe. Bend any remaining portion of the sheet metal strip back towards the vent cap, so it will be concealed by the decorative wall thimble cover. See diagram 6.

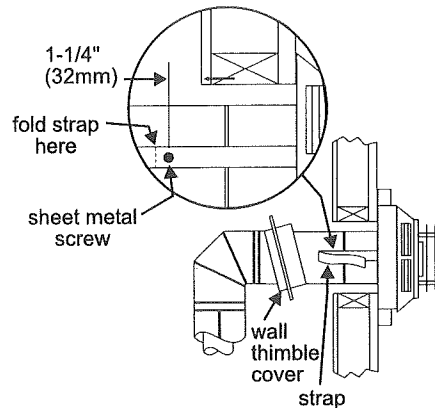


Diagram 6

- 7) Install the Wall Thimble in the center of the 10" square and attach with wood screws.
- 8) Slide the decorative wall thimble up to the wall surface being careful not to scratch the paint and attach with screws provided. Apply decorative brass or chrome trim if desired. See diagram 7.

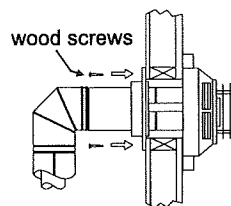


Diagram 7

DURA-VENT VERTICAL TERMINATION

- 1) Maintain the 1-1/4" clearances (air spaces) to combustibles when passing through ceilings, walls, roofs, enclosures, attic rafter, or other nearby combustible surfaces. Do not pack air spaces with insulation. Check page 12 for the maximum vertical rise of the venting system and the maximum horizontal offset limitations.
- 2) Set the gas appliance in its desired location. Drop a plumb bob down from the ceiling to the position of the appliance flue exit, and mark the location where the vent will penetrate the ceiling. Drill a small hole at this point. Next, drop a plumb bob from the roof to the hole previously drilled in the ceiling, and mark the spot where the vent will penetrate the

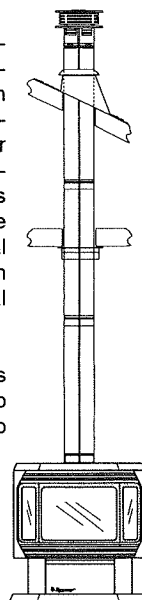


Diagram 8

roof. Determine if ceiling joists, roof rafters or other framing will obstruct the venting system. You may wish to relocate the appliance or to offset, as shown in diagram 9 to avoid cutting load bearing members.

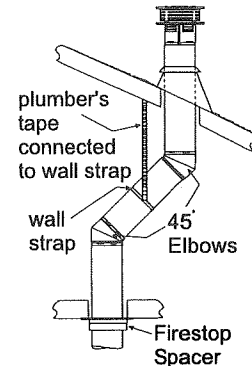


Diagram 9

- 3) To install the Round Support Box/Wall Thimble in a flat ceiling, cut a 10 inch square hole in the ceiling centred on the hole drilled in Step 2. Frame the hole as shown in diagram 10.

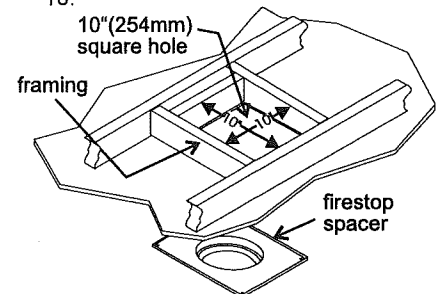


Diagram 10

- 4) Assemble the desired lengths of black pipe and elbows necessary to reach from the appliance adaptor up through the Round Support Box. Insure that all pipes and elbow connections are in the fully twist-locked position and sealed.
- 5) Cut a hole in the roof centred on the small drilled hole placed in the roof in Step 2. The hole should be of sufficient size to meet the minimum requirements for clearance to combustibles of 1-1/4". Slip the flashing under the shingles (shingles should overlap half the flashing) as per diagram 11.

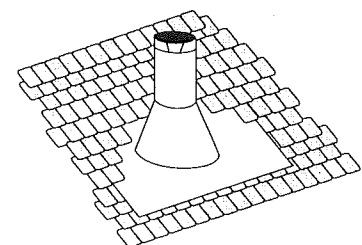


Diagram 11: The upper half of the flashing is installed under the roofing material and not nailed down until the chimney is installed. This allows for small adjustments.

INSTALLATION

6) Continue to assemble pipe lengths.

Note: If an offset is necessary in the attic to avoid obstructions, it is important to support the vent pipe every 3 feet, to avoid excessive stress on the elbows, and possible separation. Wall straps are available for this purpose. See diagram 7.

Galvanized pipe and elbows may be utilized in the attic as well as above the roofline. The galvanized finish is desirable above the roofline due to its higher corrosion resistance.

Continue to add pipe sections through the flashing until the height of the vent cap meets the minimum height requirements specified in diagram 12 or local codes. Note that for steep roof pitches, the vertical height must be increased. A poor draft, or down drafting can result from high wind conditions near big trees or adjoining roof lines, in these cases, increasing the vent height may solve the problem.

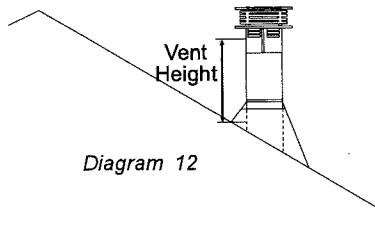


Diagram 12

Roof Pitch	Minimum Vent Height	
	Feet	Meters
flat to 7/12	2	0.61
over 7/12 to 8/12	2	0.61
over 8/12 to 9/12	2	0.61
over 9/12 to 10/12	2.5	0.76
over 10/12 to 11/12	3.25	0.99
over 11/12 to 12/12	4	1.22
over 12/12 to 14/12	5	1.52
over 14/12 to 16/12	6	1.83
over 16/12 to 18/12	7	2.13
over 18/12 to 20/12	7.5	2.29
over 20/12 to 21/12	8	2.44

7) Ensure vent is vertical and secure the base of the flashing to the roof with roofing nails, slide storm collar over the pipe section and seal with a mastic.

8) Install the vertical termination cap by twist locking it.

Notes:

a) For multistorey vertical installations, a Ceiling Fire stop (Part #963) is required at the second floor, and any subsequent floor. Diagram 13. The opening should be framed to 10" x 10" inside

dimensions, in the same manner as shown in diagram 10.

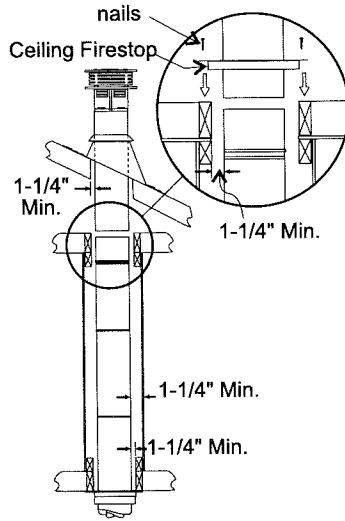
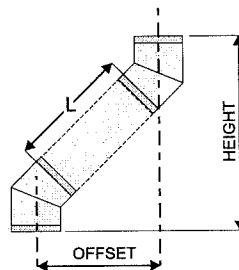


Diagram 13

Offset Chart

GS 6" (152mm) Nominal Diameter ID					
Offset		Pipe Length (L)		Height	
inches	mm	inches	mm	inches	mm
4 3/4	121	0	0	13 1/4	337
9	229	6	152	17 1/2	445
11 1/4	286	9	229	19 1/2	495
13 1/4	337	12	305	21 3/4	552
21 3/4	552	24	610	30 1/4	768
30 1/4	768	36	914	39	991
38	965	48	1219	47	1194



b) Any occupied areas above the first floor, including closets and storage spaces, through which the vertical vent passes, must be enclosed.

Cut and frame a hole in the roof for the support. The sides of this hole must be vertical with 1 1/4" clearance.

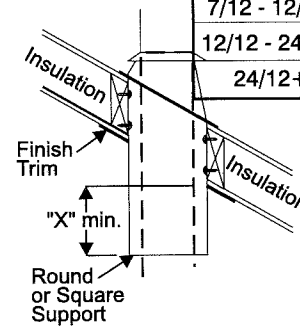
2) Place the support in the opening. Lower it to the correct height as determined by the table and diagram below.

Using a level, make sure the support is vertical. If the support extends above the roof, cut it flush with the top of the roof. Nail the support to the frame opening using (8) 3" spiral nails or #8 x 1-1/2" screws.

Note: If you are using a 6" square support you may find it difficult to screw it in place because it is fairly small inside.

Simpson Dura-Vent has provided angle brackets with this support which can be screwed to the outside of the support box and nailed to surrounding framing as required. Use a minimum of four #8 x 1/2" screws per bracket. In some cases these brackets may need to be trimmed (e.g.: to fit under a flashing). Place the Finish Collar around the support and fasten it to the ceiling using the screws provided.

Slope	"X"
0/12 - 2/12	4"
2/12 - 7/12	5 1/2"
7/12 - 12/12	6 3/4"
12/12 - 24/12	7 1/2"
24/12+	12 1/2"



3) Use appropriate roof flashing. Place the flashing under the upper shingles and on top of the lower shingles approximately half of the flashing should be under the shingles.

4) Assemble the desired lengths of Black Pipe and Elbows necessary to reach from the appliance adaptor up through the support box and flashing to proper height as per Dia. 12, local codes or page 13. Ensure that all pipe and elbow connections are in their fully twist lock position.

5) Ensure vent is vertical and secure flashing to the roof with roofing nails. Slide the storm collar over the pipe section and seal with a mastic.

6) Twist lock the vent cap on to the last section.

CATHEDRAL CEILINGS

Round Support (RDS) & Square Support (SQS)

If your home has a cathedral ceiling (no attic space between the ceiling and the roof), install the chimney and support as follows.

1) Situate the chimney in a convenient location as near as possible to the appliance outlet.

Support Extensions - Round (RDSE) or Square (SQSE)

Steep pitched cathedral ceilings may require the use of a support extension. This piece fits down inside the support and can be adjusted to increase the support's length by up to 22". The extension is attached to the support using the eight metal screws provided. Be sure there is at least a 2 inch overlap where the extension joins the support.

GAS CONNECTION

The gas connection is a 3/8" NPT 90° elbow. The gas line can be rigid pipe or to make installation easier, use a listed flexible connector and/or copper tubing if allowed by local codes. Since some municipalities have additional local codes it is always best to consult with your local authorities and the CAN/CGA B149 installation codes.

For USA installations follow local codes and/or the current National Fuel Gas Code, ANSI Z223.1.

When using copper or flex connectors use only approved fittings. Always provide a union so that gas lines can be easily disconnected for burner and/or valve servicing. Flare nuts for copper lines and flex connectors are usually considered to meet this requirement.

Important: Always check for gas leaks with a soap and water solution or gas leak detector. Do not use open flame for leak testing.

Note: Prior to any pressure testing of the gas supply piping system that exceeds test pressures of 1/2 psig, this appliance must be disconnected from the piping system. If test pressures equal to or less than 1/2 psig are used then this appliance must be isolated from the piping system by closing its individual manual shut-off valve during the testing.

System Data U45-NG3 & U45-LP3	
For 0 to 2000 feet altitude	
Burner Inlet Orifice Sizes:	
	Natural Gas Propane
Burner	#32 #50
Max. Input - Natural Gas/Propane 38,000 Btu/h	
Min. Input - Natural Gas/Propane 20,000 Btu/h	
Output Capacity with blower Off*	
Natural Gas	28,500 Btu/h
Propane	29,260 Btu/h
Output Capacity with blower On*	
Natural Gas	29,260 Btu/h
Propane	30,020 Btu/h
*See page 13 for manufactured home chart.	
Supply Pressure	
Natural Gas	min. 5" w.c.
Propane	min. 12" w.c.
Manifold Pressure	
Natural Gas	3.8" +/- 0.2" w.c.
Propane	11" +/- 0.2" w.c.
Electrical: 120 V. 1.13A 60Hz. Circulation: Variable speed fan, 125/75 CFM. Log Set: Ceramic fiber	
System Data: HIGHELEVATION - U45-NG3	
For 2,000 - 4,500 feet altitude	
Burner Inlet Orifice Sizes:	
Natural Gas	Burner #33
Max. Input Rating	36,100 Btu/h
Min. Input Rating	19,000 Btu/h
Output Capacity with blower Off	
Natural Gas	27,075 Btu/h
Max. Output Capacity with blower On	
Natural Gas	27,797 Btu/h

System Data U29-NG2 & U29-LP2	
For 0 to 4500 feet altitude	
Burner Inlet Orifice Sizes:	
	Natural Gas Propane
Burner	#40 #53
Max. Input - Natural Gas/Propane 27,000 Btu/h	
Min. Input - Natural Gas/Propane 13,500 Btu/h	
Output Capacity with blower Off*	
Natural Gas	20,790 Btu/h
Propane	21,411 Btu/h
Output Capacity with blower On*	
Natural Gas	21,330 Btu/h
Propane	21,924 Btu/h
*See page 13 for manufactured home chart.	
Supply Pressure	
Natural Gas	min. 5" w.c.
Propane	min. 12" w.c.
Manifold Pressure	
Natural Gas	3.8" +/- 0.2" w.c.
Propane	11" +/- 0.2" w.c.
Electrical: 120 V. 1.13A 60Hz. Circulation: Variable speed fan, 125/75 CFM. Log Set: Ceramic fiber	

HIGH ELEVATION

U45-NG3 & U45-LP3

This unit is approved in Canada for altitude 2000 ft. to 4500 ft. (CAN/CGA-2.17-M91) with the orifice kit Part # 621-975. For Natural Gas installations above 4500 ft. follow current CAN/CGA-B149.1.

In U.S.A., for installations above 2000 ft. refer to current ANSI Z223.1 Sc8-8.1.2a appendix F, for resizing orifice.

U29-NG2 & U29-LP2

This unit is approved in Canada for altitude 2000 ft. to 4500 ft. (CAN/CGA-2.17-M91). For Natural Gas installations above 4500 ft. follow current CAN/CGA-B149.1.

INSTALLATION

GAS PIPE PRESSURE TESTING

The appliance must be isolated from the gas supply piping system by closing its individual manual shut-off valve during any pressure testing of the gas supply piping system at test pressures equal to or less than 1/2 psig. (3.45 kPa). Disconnect piping from valve at pressures over 1/2 psig.

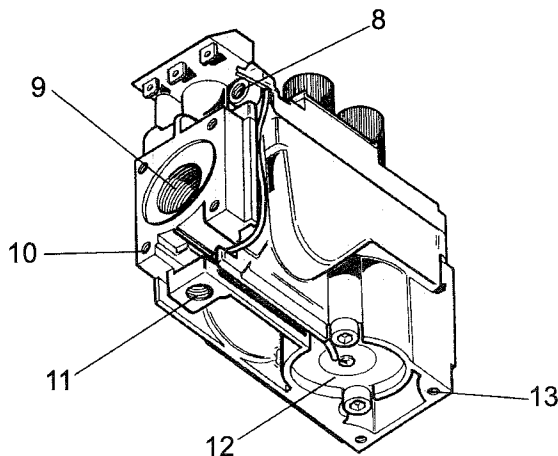
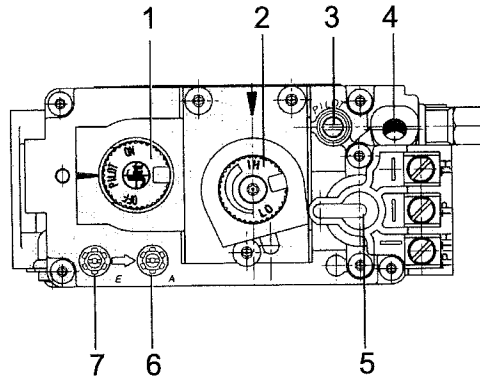
The manifold pressure is controlled by a regulator built into the gas control, and should be checked at the pressure test point.

Note: To properly check gas pressure, both inlet and manifold pressures should be checked using the valve pressure ports on the valve.

- 1) Make sure the valve is in the "OFF" position.
- 2) Loosen the "IN" and/or "OUT" pressure tap(s), turning counterclockwise with a 1/8" wide flat screwdriver.
- 3) Attach manometer to "IN" and/or "OUT" pressure tap(s) using a 5/16" ID hose.
- 4) Light the pilot and turn the valve to "ON" position. Read manometer.
- 5) The pressure check should be carried out with the unit burning and the setting should be within the limits specified on the safety label.
- 6) When finished reading manometer, turn off the gas valve, disconnect the hose and tighten the screw (clockwise) with a 1/8" flat screwdriver. **Note: Screw should be snug, but do not over tighten**

Valve Description

- 1) Gas cock knob
- 2) Manual high/low adjustment
- 3) Pilot Adjustment
- 4) Thermocouple Connection
- 5) Main Operator
- 6) Outlet Pressure Tap (Manifold Pressure)
- 7) Inlet Pressure Tap (Supply Pressure)
- 8) Pilot Outlet
- 9) Main Gas Outlet
- 10) Flange Securing Screw Holes
- 11) Alternative TC Connection Point
- 12) Thermoelectric Unit
- 13) Additional Valve Mounting Hole



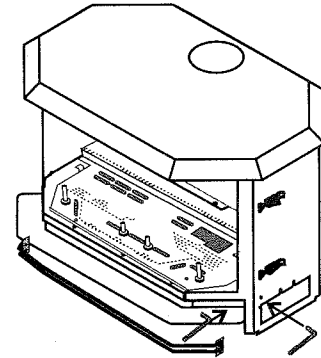
AERATION ADJUSTMENT

The burner aeration is factory set but may need adjusting due to either the local gas supply, air supply or altitude.

U45 Natural Gas: 3/16" open
Propane: 1/2" open

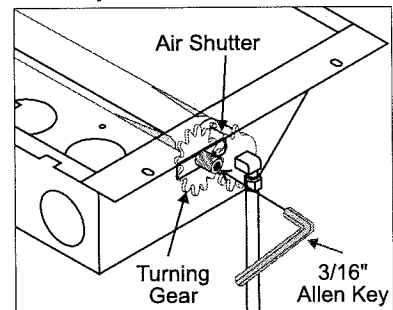
U29 Natural Gas: 1/8" open
Propane: 3/8" open

The aeration adjustment gears are located on the right side of the burner box and can be accessed from the side or from the front when the louvers are removed.



To adjust the aeration: use the allen key to turn the turning gear which will adjust the air shutter. Open the air shutter for a blue flame or close it for a yellow flame. This adjustment is performed by a qualified installer. The factory setting should be sufficient for most installations.

Closed - Tall yellow flame
Open - Short blue flame



Clockwise to open,
counter-clockwise to close.

Caution: Carbon will be produced if the air shutter is closed too much.

Note: Any damage due to carboning resulting from improperly setting the aeration controls is NOT covered under warranty.

LOG INSTALLATION

WARNING: Dangerous operating conditions may occur if these logs are not positioned in their approved locations. Read the instructions below carefully and refer to the diagrams. If logs are broken do not use the unit until they are replaced. Broken logs can interfere with the pilot and burner operation.

U29-2: The gas log kit contains the following

- a) Front Right Log - Part # 902-020
- b) Front Left Log - Part # 902-021
- c) Rear log - Part # 902-022
- d) Embers - Part # 902-151 (1 bag)
- e) Lava - Part # 902-154 (1 bag)

(Part #: 560-935 for set of three logs)

U45-3: The gas log kit contains the following

- a) Front Right Log - Part # 902-245
- b) Front Left Log - Part # 902-244
- c) Rear log - Part # 902-246
- d) Embers - Part # 902-151 (2 bag)
- e) Lava - Part # 902-154 (1 bag)

(Part #: 653-930 for set of 3 logs)

- 1) Remove the logs from the box and carefully unwrap them. The logs are fragile, handle with care - **DO NOT FORCE** into position.
- 2) Place the rear log, carefully sliding it down onto the pins, with the flat side of the log facing the back of the unit. See diagram 1.

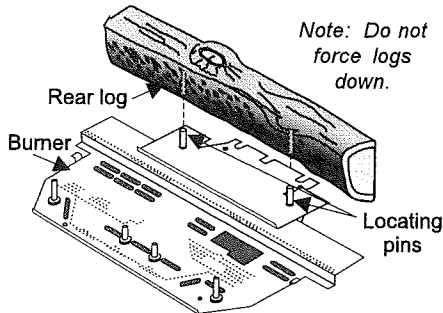


Diagram 1

- 3) Place the left front log, carefully sliding it down onto the left pins of the front burner. See diagram 2.

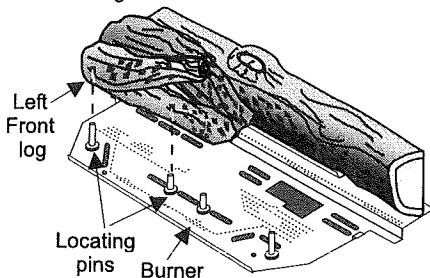


Diagram 2

- 4) Place the right front log, carefully sliding it down onto the right pins of the front burner. See diagram 3.

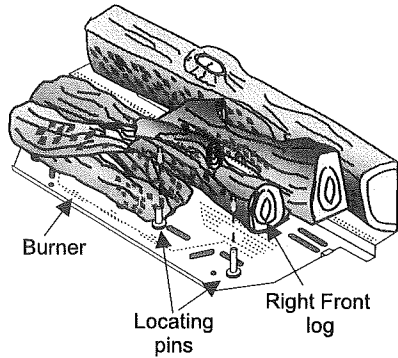


Diagram 3

- 5) Distribute the embers along the front burner but do not cover the burner ports and around the logs. Place the embers on the floor of the firebox. Place the lava on the burner tray in front of the left and right front logs. See diagram 4.

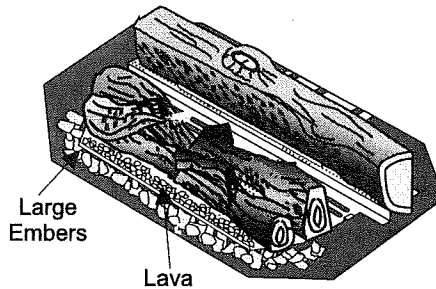


Diagram 4

FRONT DOOR INSTALLATION (packaged separately)

- 1) Open the two side panels.
- 2) Slide the door onto the two hinge pins making sure the two pieces are flush together. See diagram 1.

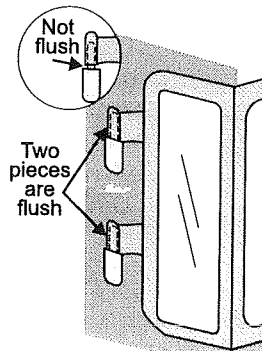


Diagram 1

- 3) Close the door. The latch plate must be centered around the alignment pin. See diagram 2. If the latch plate interferes with the corner of the stove you may want to angle the plate slightly so the door closes easier.

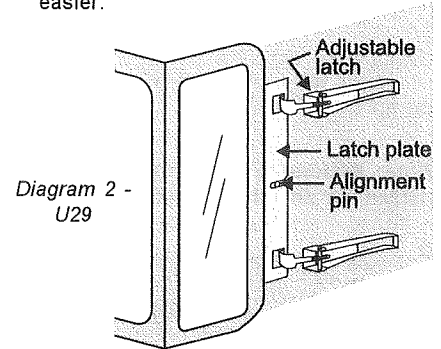


Diagram 2 - U29

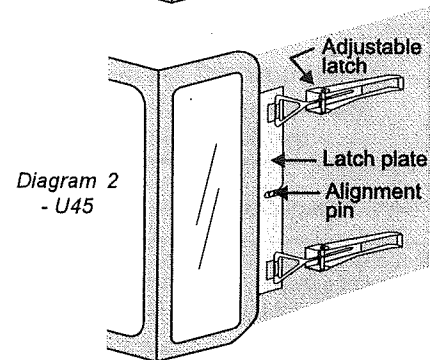


Diagram 2 - U45

- 4) The latches should already be at the proper setting. If they are too hard or too easy to close, you may want to adjust them by loosening the latch catch. See diagram 3.
- 5) Remove the blue plastic protective coating from the glass.
- 6) Test the seal around the door by placing a piece of paper between the unit and the door, close the door and try to pull the paper out. If it slips out easily, then the door is not properly sealed. Tighten or loosen the latch. See diagram 3.

Note: The door latch may require adjustment as the door gasket material compresses after a few fires and after glass replacement. Turn the latch catch inward or outward to loosen or tighten.

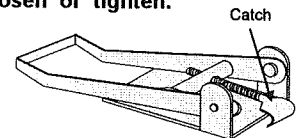


Diagram 3 - U29

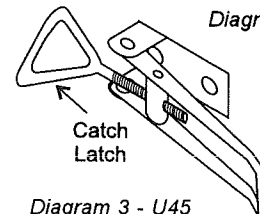


Diagram 3 - U45

INSTALLATION

OPTIONAL WALL THERMOSTAT

A wall thermostat may be installed if desired. Connect the wires as per the wiring diagrams. Note that the wires are connected to the "TH" on the gas valve. Use chart below to determine the maximum wire length:

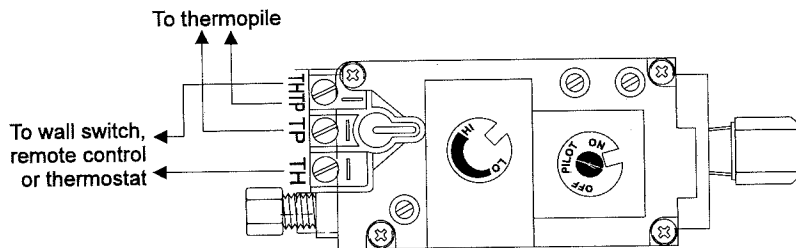
Note: Preferable if the thermostat is installed on an interior wall.

Regency offers a programmable thermostat but any CSA, ULC or UL approved millivolt thermostat, 250-750 millivolt rated non-anticipator type thermostat may be used.

CAUTION
Do not connect the millivolt wall thermostat wires to the 120V wires.

Thermostat Wire Table

Recommended Maximum Lead Length (Two-Wire) When Using Wall Thermostat (CP-2 System)	
Wire Size	Max. Length
14 GA.	50 Ft.
16 GA.	32 Ft.
18 GA.	20 Ft.
20 GA.	12 Ft.
22 GA.	9 Ft.



CAUTION: Label all wires prior to disconnection when servicing controls. Wiring errors can cause improper and dangerous operation.

OPTIONAL REMOTE CONTROL

Use the Regency Remote Control Kit (Part # 910-358/P) approved for this unit. Use of other systems may void your warranty.

The remote control kit comes with a hand held transmitter, a receiver and a wall mounting plate.

- 1) Choose a convenient location on the wall to install the receiver and the receptacle box (protection from extreme heat is very important). Run wires from the fireplace to that location. Use Thermostat Wire Table.
- 2) Connect the wires as per the wiring diagrams on page 25.

CAUTION
Do not connect the millivolt remote control wires to the 120V wires.

- 3) Install a 9V alkaline battery in both the receiver and the transmitter. Install the receiver and its cover in the wall. Switch the hand held remote transmitter to "remote" mode. The remote control is now ready for operation.

FINAL CHECK

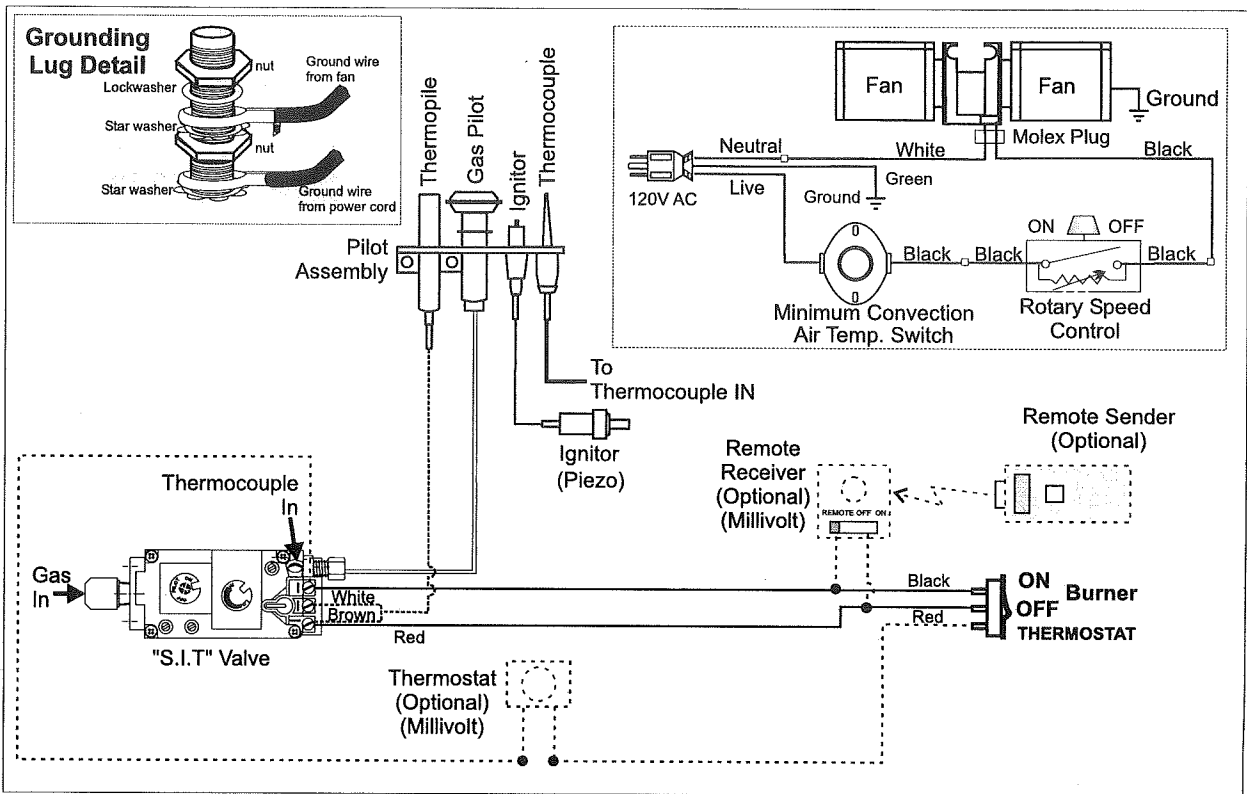
Before leaving this unit with the customer, the installer must ensure that the appliance is firing correctly. This includes:

- 1) Clocking the appliance to ensure the correct firing rate (rate noted on label) at 15 minutes.
- 2) If required, adjusting the primary air to ensure that the flame does not carbon. First allow the unit to burn for 15 min. to stabilize.
- 3) Check for proper draft.

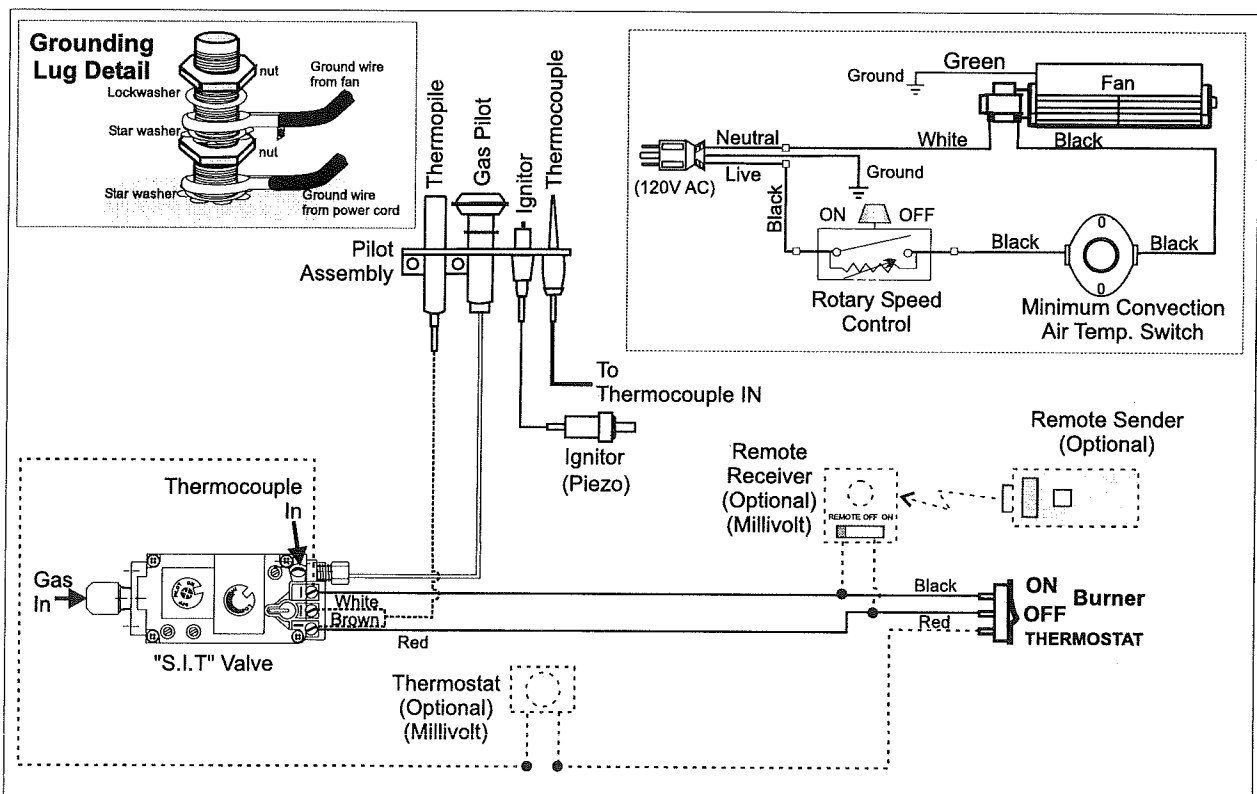
CAUTION

Any alteration to the product that causes sooting or carboning that results in damage to the exterior facia is not the responsibility of the manufacturer.

WIRING DIAGRAM - U45-NG3 & U45-LP3



WIRING DIAGRAM - U29-NG2 & U29-LP2



OPERATING INSTRUCTIONS

OPERATING INSTRUCTIONS

Before operating this appliance, proceed through the following check list.

- 1) Read and understand these Instructions before operating this appliance.
- 2) Check to see that all wiring is correct and enclosed to prevent possible shock.
- 3) Check to ensure there are no gas leaks.
- 4) Make sure the three pieces of door glass are properly positioned. Never operate the appliance with any of the glass removed or with the door open.
- 5) Verify that all venting and the cap is unobstructed.
- 6) Verify log placement. If the pilot cannot be seen when lighting the unit - the logs or the embers have been incorrectly positioned.
- 7) The unit should never be turned off and on without a minimum of a 60 second wait.
- 3) Wait five minutes to allow gas, that may have accumulated in the main burner compartment, to escape. If you smell gas, follow the instructions on the front of this manual. If you don't smell gas continue on to the next step.
- 4) Turn the PILOT knob counterclockwise to **pilot** and align it with the arrow as shown in diagram 1.
- 5) Push in PILOT knob all the way in and hold. Immediately push IGNITOR button until pilot lights. Continue to hold the PILOT knob in for approximately one minute, then release the PILOT knob. The pilot flame should continue to burn. If the pilot does not remain lit, repeat operation allowing a longer period before releasing PILOT knob.
- 6) Turn PILOT knob counter clockwise to **on**.
- 7) Use the Burner ON/OFF switch to turn on the burner.
- 8) Rotate the HEAT control to adjust the flame height **higher** or **lower**.

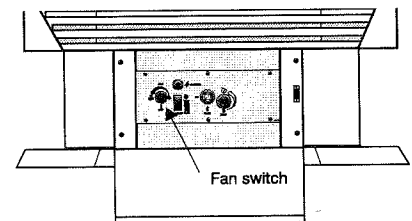
Note: When the glass is cold and the appliance is lit, it may cause condensation and fog the glass. This condensation is normal and will disappear in a few minutes as the glass heats up.

DO NOT BURN THE APPLIANCE WITHOUT THE GLASS FRONT IN PLACE.

During the first few fires, a white film may develop on the glass front as part of the curing process. The **glass should be cleaned** or the film will bake on and become very difficult to remove. Use a non-abrasive cleaner and **NEVER** clean the glass while it is hot.

AUTOMATIC CONVECTION FAN OPERATION

The fan operates automatically - turn the knob on the side of the faceplate to adjust to the desired speed. The fan will turn on as the stove comes up to operating temperature. After the unit has been turned off and cools to below a useful heat output range the fan will shut off automatically.



LIGHTING INSTRUCTIONS

IMPORTANT: The PILOT knob cannot be turned from **pilot** to **off** unless it is partially depressed.

Note: Open the pedestal door of the unit before lighting the pilot. Once the pilot is lit, close the door. You should never operate the unit with the door open.

- 1) If the PILOT knob is in the **off** position proceed to Step 4.

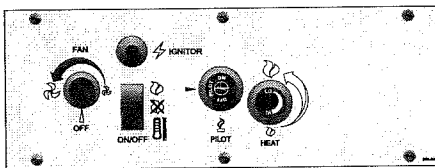


Diagram 1

- 2) Push in PILOT knob slightly and turn clockwise to **off**. Knob cannot be turned from **pilot** to **off** unless knob is pushed in slightly. Do not force.

SHUTDOWN INSTRUCTIONS

- 1) Use the Burner ON/OFF switch, thermostat or remote control to turn off the burner.
- 2) Push in the PILOT knob slightly and turn clockwise to **off**. Do not force.
- 3) Turn off all electric power to the appliance if service is to be performed.

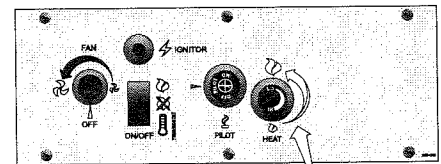
FIRST FIRE

The **FIRST FIRE** in your stove is part of the paint curing process. To ensure that the paint is properly cured, it is recommended that you burn your fireplace for at least four (4) hours the first time you use it with the fan on. When first operated, the unit will release an odour caused by the curing of the paint and the burning off of any oils remaining from manufacturing. Smoke detectors in the house may go off at this time. Open a few windows to ventilate the room for a couple of hours. The glass may require cleaning.

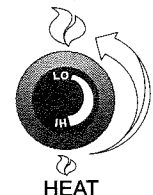
DO NOT ATTEMPT TO CLEAN THE GLASS WHILE IT IS STILL HOT!

ADJUSTING FLAME HEIGHT

Your heater has an adjustable flame to tailor the look and heat output to your specific needs. It is adjusted by turning the flame adjustment dial on the gas control valve.



Turn clockwise to adjust the flame higher, counterclockwise for a lower flame.



OPERATING INSTRUCTIONS

Copy of the Lighting Plate instructions

FOR YOUR SAFETY READ BEFORE LIGHTING

This appliance must be installed in accordance with local codes, if any; if not, follow the current CAN1-B149/ANSI Z 223.1 (Australia: AG601, New Zealand: NZS 5261)

WARNING: If you do not follow these instructions exactly, a fire or explosion may result causing property damage, personal injury or loss of life. Improper installation, adjustment, alteration, service or maintenance can cause injury or property damage. Refer to the owner's information manual provided with this appliance. For assistance or additional information consult a qualified installer, service agency or gas supplier.



- A) This appliance has a pilot which must be lighted by hand, following the instructions below exactly.
- B) **BEFORE LIGHTING** smell all around the appliance area for gas. Be sure to smell next to the floor because some gas is heavier than air and will settle on the floor.
- WHAT TO DO IF YOU SMELL GAS**
- Do not try to light any appliance
 - Do not touch any electric switch, do not use any phone in your building
 - Immediately call your gas supplier from a neighbors phone. Follow the gas supplier's instructions.
 - If you cannot reach your gas supplier, call the fire department.
- C) Use only your hand to push in or turn the gas control knob. Never use tools. If the knob will not push in or turn by hand, don't try to repair it, call a qualified service technician. Force or attempted repair may result in a fire or explosion.
- D) Do not use this appliance if any part has been under water. Immediately call a qualified service technician to inspect the appliance and to replace any part of the control system and any gas control which has been underwater.

This appliance needs fresh air for safe operation and must be installed so there are provisions for adequate combustion and ventilation air.


CAUTION: Hot while in operation. Do not touch. Due to high surface temperatures keep children, clothing and furniture away. Keep burner and control compartment clean. See installation and operating instructions accompanying appliance.

LIGHTING INSTRUCTIONS

STOP! Read the safety information above on this label.

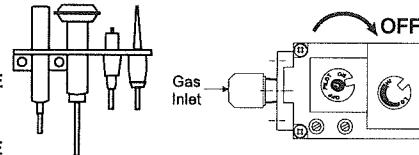
- 1) Push in gas control knob slightly and turn clockwise  to "OFF". Knob cannot be turned from "PILOT" to "OFF" unless knob is pushed in slightly. Do not force.
- 2) Wait five (5) minutes to clear out any gas. If you then smell gas **STOP!** follow "B" in the safety information above on this label. If you don't smell gas, go to the next step.
- 3) Turn knob on gas control counterclockwise  to "PILOT".
- 4) Push in control knob all the way and hold in. Immediately push black button on spark igniter until pilot lights. Continue to hold the control knob in for about 1/2 minute after the pilot is lit. Release knob and it will pop back up. Pilot should remain lit. If it goes out, repeat steps 3) and 4).

If knob does not pop up when released, stop and immediately call your service technician or gas supplier. If the pilot will not stay lit after several tries, turn the gas control knob to "OFF" and call your service technician or gas supplier.


- 5) Turn gas control knob counterclockwise  to "ON".
- 6) Use rocker switch to operate main burner.

PILOT BURNER
VEILLEUSE

THERMOPILE
ELEMENT
THERMO-
ELECTRIQUE



TO TURN OFF GAS APPLIANCE

- 1) Push in the gas control knob slightly and turn clockwise  to "OFF". Do not force.
- 2) Turn off all electric power to the appliance if service is to be performed.

DO NOT REMOVE THIS INSTRUCTION PLATE

908-649

OPERATING INSTRUCTIONS

NORMAL OPERATING SOUNDS OF GAS APPLIANCES

It is possible that you will hear some sounds from your gas appliance. This is perfectly normal due to the fact that there are various gauges and types of steel used within your appliance. Listed below are some examples. All are **normal operating sounds** and should not be considered as defects in your appliance.

Blower:

Regency gas appliances use high tech blowers to push heated air farther into the room. It is not unusual for the fan to make a "whirring" sound when ON. This sound will increase or decrease in volume depending on the speed setting of your fan speed control.

Burner Tray:

The burner tray is positioned directly under the burner tube(s) and logs and is made of a different gauge material from the rest of the firebox and body. Therefore, the varying thicknesses of steel will expand and contract at slightly different rates which can cause "ticking" and "cracking" sounds. You should also be aware that as there are temperature changes within the unit these sounds will likely re-occur. Again, this is normal for steel fireboxes.

Blower Thermodisc:

When this thermally activated switch turns ON it will create a small "clicking" sound. This is the switch contacts closing and is normal.

Pilot Flame:

While the pilot flame is on it can make a very slight "whisper" sound.

Gas Control Valve:

As the gas control valve turns ON and OFF, a dull clicking sound may be audible, this is normal operation of a gas regulator or valve.

Unit Body/Firebox:

Different types and thicknesses of steel will expand and contract at different rates resulting in some "cracking" and "ticking" sounds will be heard throughout the cycling process.

MAINTENANCE INSTRUCTIONS

- 1) Always turn off the valve before cleaning. For relighting, refer to lighting instructions. Keep the burner and control compartment clean by brushing and vacuuming at least once a year. When cleaning the logs, use a soft clean paint brush as the logs are fragile and easily damaged.
- 2) Clean glass (never when unit is hot), appliance, louvers, and door with a damp cloth. Never use an abrasive cleaner. The gold louvers (and optional gold door) may be scratched if abrasives are used to clean them.
The heater is finished in a heat resistant paint and should only be refinished with heat resistant paint (not with wall paint). Regency uses StoveBright Paint - Metallic Black #6309.

- 3) Make a periodic check of burner for proper position and condition. Visually check the flame of the burner periodically, making sure the flames are steady; not lifting or floating. If there is a problem, call a qualified service person.
- 4) Caution: Label all wires prior to disconnection when servicing controls. Wiring errors can cause improper and dangerous operation.
- 5) The appliance and venting system must be inspected before use, and at least annually, by a qualified field service person, to ensure that the flow of combustion and ventilation air is not obstructed.
During the annual service call, the burners should be removed from the burner tray and cleaned. Replace the embers but do not block the pilot.
- 6) Keep the area near the appliance clear and free from combustible materials, gasoline, and other flammable vapours and liquids.

REPLACE ANY PART OF CONTROL SYSTEM AND ANY GAS CONTROL WHICH HAS BEEN UNDER WATER.

CAUTION: ANY SAFETY SCREEN OR GUARD REMOVED FOR SERVICING AN APPLIANCE MUST BE REPLACED PRIOR TO OPERATING THE APPLIANCE.

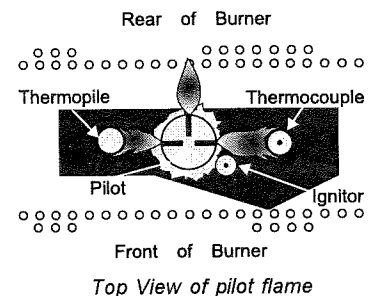
CLOTHING OR OTHER FLAMMABLE MATERIAL SHOULD NOT BE PLACED ON OR NEAR THE APPLIANCE.

- 7) Each time the appliance is lit, it may cause condensation and fog the glass. This condensation and fog is normal and will disappear in a few minutes as the glass heats up.

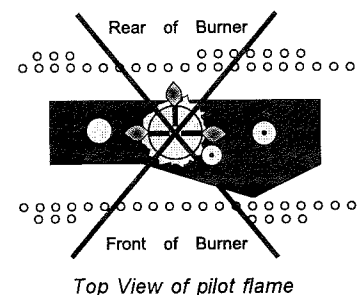
Never operate the appliance without the glass properly secured in place or with the door open.

- 8) Periodically check the pilot flames. Correct flame pattern has three strong blue flames: 1 flowing around the thermopile and 1 around the thermocouple, and 1 flowing across the rear of the burner (it does not have to be touching the burner).

Note: If you have an incorrect flame pattern, contact your Regency dealer for further instructions.



Incorrect flame pattern will have small, probably yellow flames, not coming into proper contact with the rear of the burner or thermopile.



WARNING: CHILDREN AND ADULTS SHOULD BE ALERTED TO THE HAZARDS OF HIGH SURFACE TEMPERATURE AND SHOULD STAY AWAY TO AVOID BURNS OR CLOTHING IGNITION. YOUNG CHILDREN SHOULD BE CAREFULLY SUPERVISED WHEN THEY ARE IN THE SAME ROOM AS THE APPLIANCE.

DO NOT USE THIS APPLIANCE IF ANY PART HAS BEEN UNDER WATER. IMMEDIATELY CALL A QUALIFIED SERVICE TECHNICIAN TO INSPECT THE APPLIANCE AND TO

GENERAL VENT MAINTENANCE

Conduct an inspection of the venting system semi-annually. Recommended areas to inspect as follows:

- 1) Check the Venting System for corrosion in areas that are exposed to the elements. These will appear as rust spots or streaks, and in extreme cases, holes. These components should be replaced immediately.
- 2) Remove the Cap, and shine a flashlight down the Vent. Remove any bird nests, or other foreign material.
- 3) Check for evidences of excessive condensation, such as water droplets forming in the inner liner, and subsequently dripping out the joints, Continuous condensation can cause corrosion of caps, pipe, and fittings. It may be caused by having excessive lateral runs, too many elbows, and exterior portions of the system being exposed to cold weather.
- 4) Inspect joints, to verify that no pipe sections or fittings have been disturbed, and consequently loosened. Also check mechanical supports such as Wall Straps, or plumbers' tape for rigidity.

LOG REPLACEMENT

The unit should never be used with broken logs. Turn off the gas valve and allow the unit to cool before opening door to carefully remove the logs. The pilot light generates enough heat to burn someone. If for any reason a log should need replacement, you must use the proper replacement log. The position of these logs must be as shown in the diagram under Log Installation.

Note: Improper positioning of logs may create carbon build-up and will alter the unit's performance which is not covered under warranty.

GOLD-PLATED DOORS

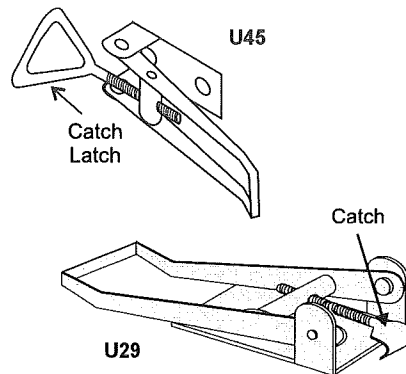
The 24 carat gold plated finish on the door requires little maintenance, and need only be cleaned with a damp cloth. DO NOT use abrasive materials or chemical cleaners, as they may harm the finish and void the warranty. Clean any fingerprints off before turning the unit on. **If the door starts to discolour, check the gasket seal and replace if necessary.**

DOOR GASKET

If the door gasket requires replacement use 7/8" diameter oval door gasket (Part # 650-920).

LATCH ADJUSTMENT

The door latch may require adjustment as the door gasket material compresses after a few fires and after glass replacement. Turn the adjustable catch to tighten or loosen the latch.



GLASS REPLACEMENT

Your ULTIMATE stove is supplied with high temperature, 5 mm Neoceram ceramic glass that will withstand the highest heat that your unit will produce. In the event that you break your glass by impact, purchase your replacement door from an authorized Regency dealer only, and follow our step-by-step instructions for replacement. The glass is not sold separately, as it must be properly sealed in the door frame.

Replacement Part

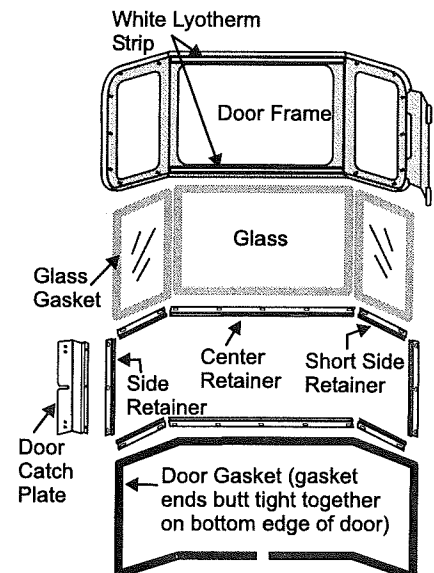
940-235/P	U45 Wraparound Glass
940-225/P	U45 Panel Center Glass
940-227/P	U45 Mitred Center Glass
940-226/P	U45 Side Glass (Panel or Mitred)
940-238/P	U29 Wraparound Glass
940-237/P	U29 Panel Center Glass
940-236/P	U29 Panel Side Glass

WARNING: Do not operate appliance with glass panels removed, cracked or broken. Replacement of the glass should be done by a licensed or qualified service person.

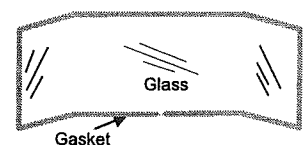
Note: Wearing gloves will protect your hands while handling glass.

Panel Glass Replacement

- 1) Remove the door from the unit and place on a soft surface to prevent scratching.
- 2) Pull out the door gasket.
- 3) Remove the nuts holding the glass retainers in place.
- 4) Remove the glass retainers (sides, top and bottom) and the door catch plate.
- 5) Replace the glass. **The glass must have gasketing around it.**
- 6) Reverse the previous steps, replace the retainers and fasten with the nuts but do not overtighten, as this can break the glass. Note: the door catch plate fits on top of the left side retainer.
- 7) Put gasket glue on the retainers, but do not put glue on the screws. Replace the door gasket, the two ends butt tight together on the bottom edge of the door.
- 8) Replace door on the stove and check the seal.



Panel Glass Door Assembly



Wraparound Assembly Door (same glass retainers as the Panel Assembly)

MAINTENANCE

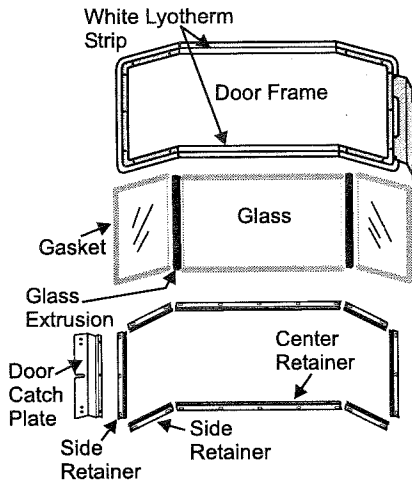
Mitred Glass Replacement

Removing Glass

- 1) Remove the door from the unit and place on a soft surface to prevent scratching.
- 2) Pull out the door gasket.
- 3) Remove the 24 nuts holding the glass retainers in place. *Do not remove the nuts underneath the retainers.*
- 4) Remove the door catch plate.
- 5) Remove glass retainers on sides first (3 each side) then remove two center retainers.

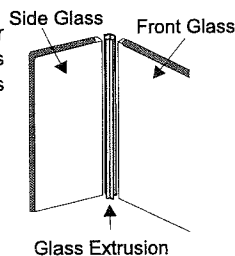
Note: Center glass retainers are glued to center glass.

- 6) Remove glass from extrusions. When removing center glass, leave white insulation in place.



Installing Glass

- 1) Install both center and side glass onto extrusions as per diagram.



- 2) Place glass assembly into door frame.
- 3) Install retainers by placing 1 drop of glue where previously glued and put in place.
- 4) Install side retainers.
- 5) Install door catch plate.
- 6) Install the 24 nuts loosely, do not tighten yet.

- 7) Tighten side panels nuts using the following procedure:
 - a. tighten top & bottom outside corner nuts (2)
 - b. tighten inside nuts (3)
 - c. tighten top & bottom inside corners (2)
- 8) Tighten the 10 nuts on center glass retainer.
- 9) Repeat step 7 for other side panel.
- 10) Replace new gasket by gluing it in place.
- 11) Install door onto stove and check the seal.

FAN MAINTENANCE: U45

If your fan requires maintenance or replacement, access to the fan is through the plate on the rear wall of the firebox. **NOTE: the unit MUST NOT be operated without the fan access panel securely in place and correctly sealed.**

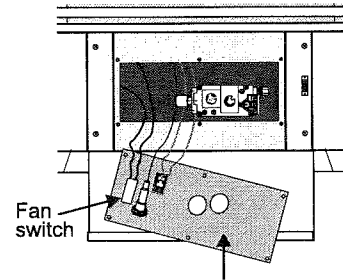
IMPORTANT: These fans collect a lot of dust from within your home. Ensure you maintain these fan motors on a regular basis by vacuuming out the fan squirrel cages, around the motor, and around the grills on the back of the stove.

IMPORTANT
Disconnect power supply
before servicing

WARNING:
Electrical Grounding Instructions
This appliance is equipped with a three pronged (grounding) plug for your protection against shock hazard and should be plugged directly into a properly grounded three-prong receptacle. Do not cut or remove the grounding prong from this plug.

To remove fan:

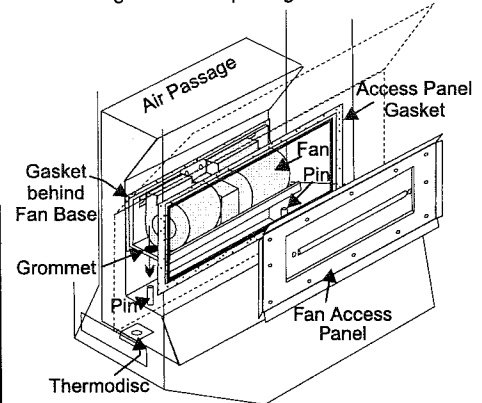
- 1) Unplug or disconnect power source to stove.
- 2) Remove all logs and the rear log support, then remove the 12 screws holding the access panel in place.



- 3) Disconnect the molex plug.

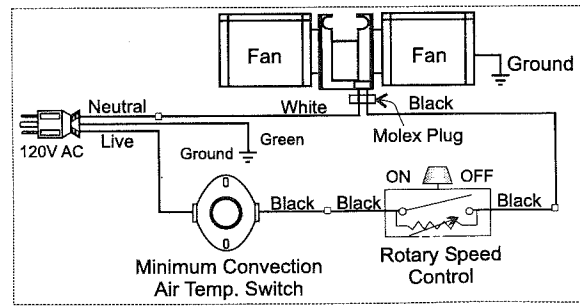
Note: If replacing the thermodisc, it must be touching the bottom of the firebox to operate properly.

- 4) Remove the green ground wire from the fan bracket.
- 5) Lift fan off of the 2 pins, tip forward and pull through firebox opening.



Replacing fan:

Reverse steps (1-5 on removing the fan). Always install a new gasket (Part# 936-196) before replacing the fan access panel. Make sure the fan wires are reattached.



Hint for pushing fan down onto pins - rub a bit of dish soap on the grommet so it will slide more easily onto the pin. Check to make sure the fan is seated properly on the pins - try to move the fan back and forth, there should be no noise, if there is check that the grommets haven't come loose.

FAN MAINTENANCE: U29

If your fan requires maintenance or replacement, access to the fan is through the plate on the rear wall of the firebox. **NOTE: the unit MUST NOT be operated without the fan access panel securely in place and correctly sealed.**

IMPORTANT: These fans collect a lot of dust from within your home. Ensure you maintain these fan motors on a regular basis by vacuuming out the fan squirrel cages, around the motor, and around the grills on the back of the stove.

IMPORTANT
Disconnect power supply
before servicing

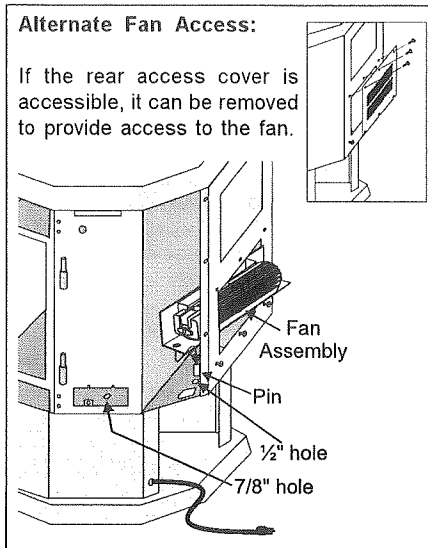
WARNING:
Electrical Grounding Instructions
This appliance is equipped with a three pronged (grounding) plug for your protection against shock hazard and should be plugged directly into a properly grounded three-prong receptacle. Do not cut or remove the grounding prong from this plug.

To remove U29 fan:

- 1) Unplug or disconnect power source to stove.
- 2) Remove all logs and the rear log support, then remove the 10 screws holding the access panel in place.
- 3) Unclip the black and white wires from the fan motor.
- 4) Open both side doors and gently pull the flex pipe away from the center, otherwise the fan can catch on the flex pipe during installation and tear the pipe. Do not tear or damage the flex pipe.

Alternate Fan Access:

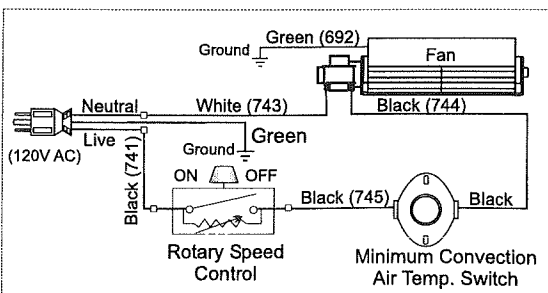
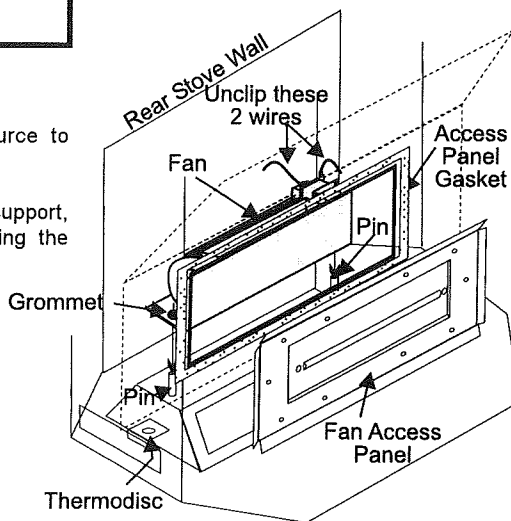
If the rear access cover is accessible, it can be removed to provide access to the fan.



- 5) Lift fan off of the 2 pins, tip back and pull through firebox opening. Disconnect the green ground wire from the right side of the fan as soon as you can reach it.

Replacing U29 Fan:

Reverse the above steps (1 - 5). If necessary install a new gasket before replacing the fan access panel. Make sure the fan wires and the ground wire are reattached.



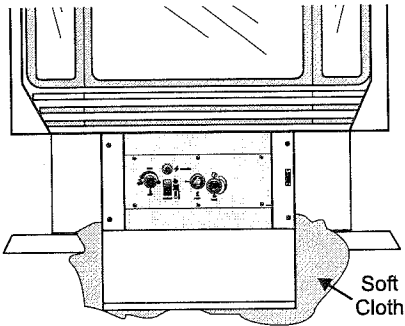
Hint for pushing fan down onto pins - rub a bit of dish soap on the grommet so it will slide more easily onto the pin. Check to make sure the fan is seated properly on the pins - try to move the fan back and forth, there should be no noise, if there is check that the grommets haven't come loose.

MAINTENANCE

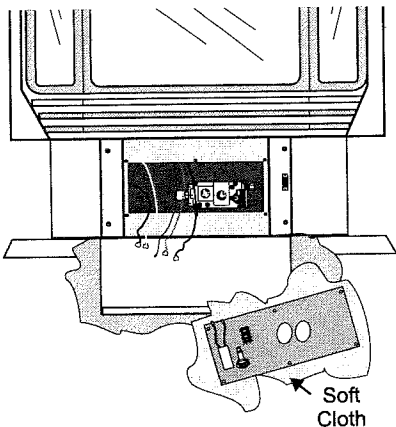
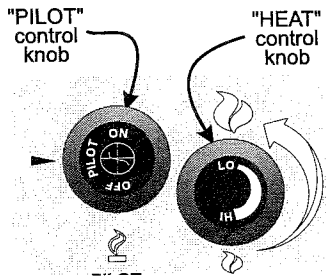
If your valve requires maintenance or replacement, use the following instructions:

Note: Always close off the gas supply before removing the valve.

- 1) Open front pedestal door. You may want to put a soft cloth on the base of the unit so that when the pedestal door is open it doesn't scratch the paint.

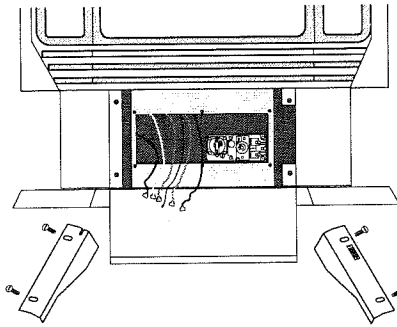


- 2) Undo the six screws holding the control panel in place.
- 3) Disconnect all wires from the back of the panel and then remove panel. You should lay the panel on a soft cloth so it doesn't get marked up. See diagram below.

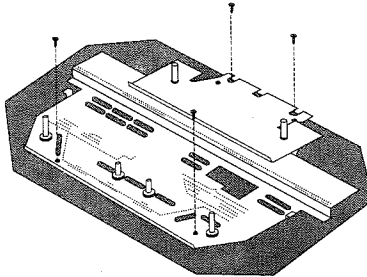


- 4) Remove the two outside frame pieces by removing two screws per side. See diagram below.

REMOVING VALVE

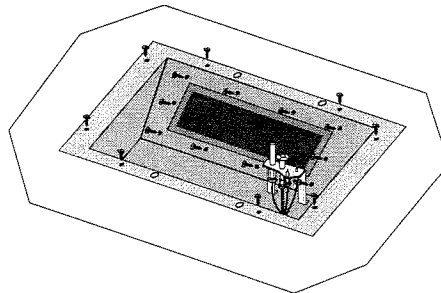


- 5) At this point you should disconnect the gas at the valve. You can access it through the front now that the control panel is off, or you can access it through the rear pedestal cover plate.
- 6) Carefully remove the logs, embers and rock-wool.
- 7) Remove burner.



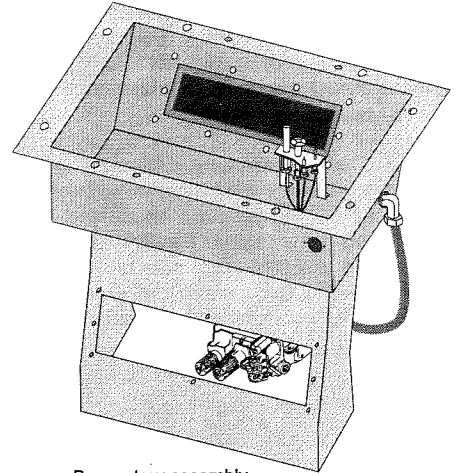
Note: Use a magnetic type screwdriver if possible.

- 8) Remove all 18 screws holding the burner tray assembly in place.



- 9) Carefully lift the burner tray assembly out.

- 10) To replace the burner tray assembly, simply reverse these instructions.

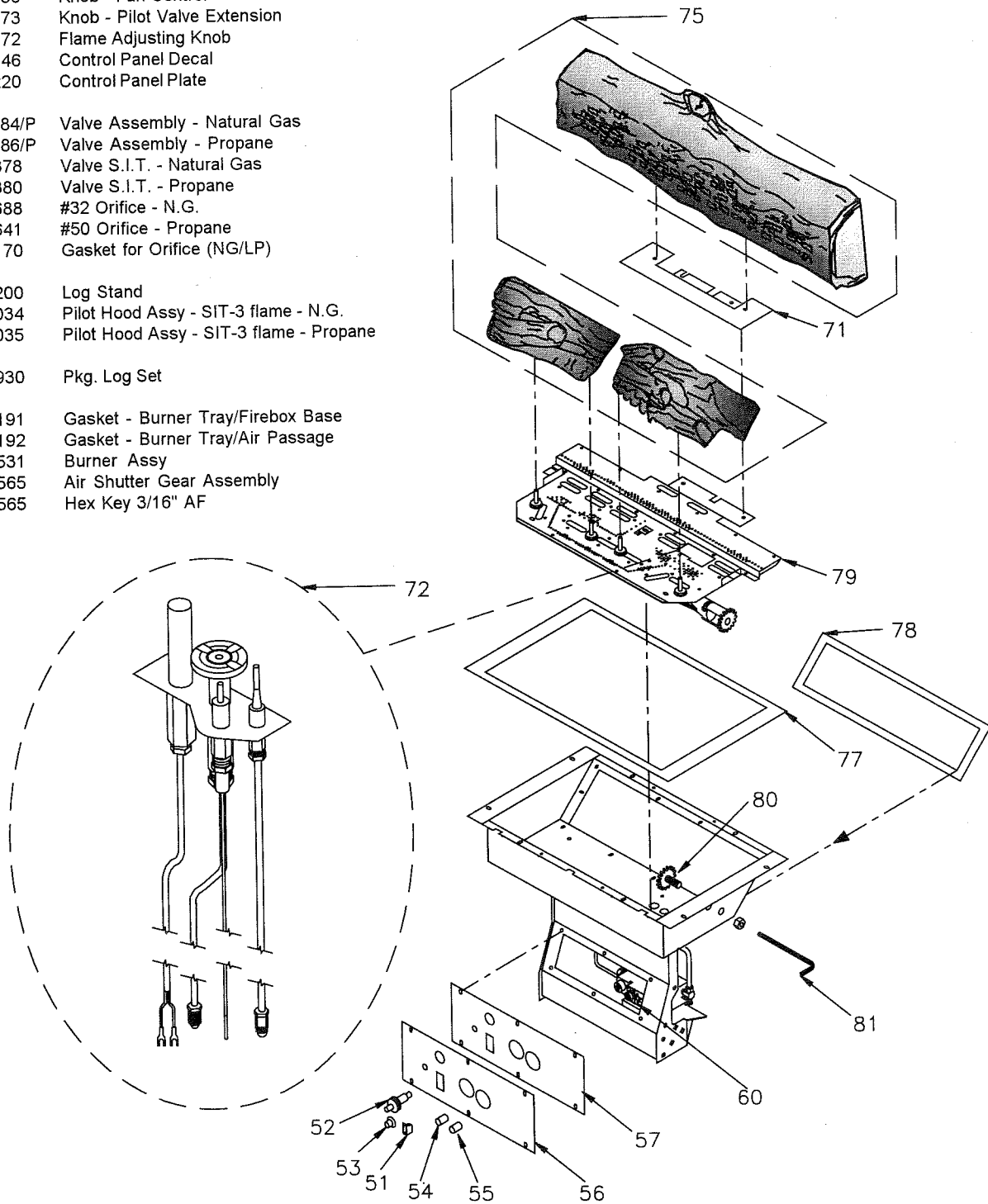


Burner tray assembly, after being removed from the stove

PARTS LIST

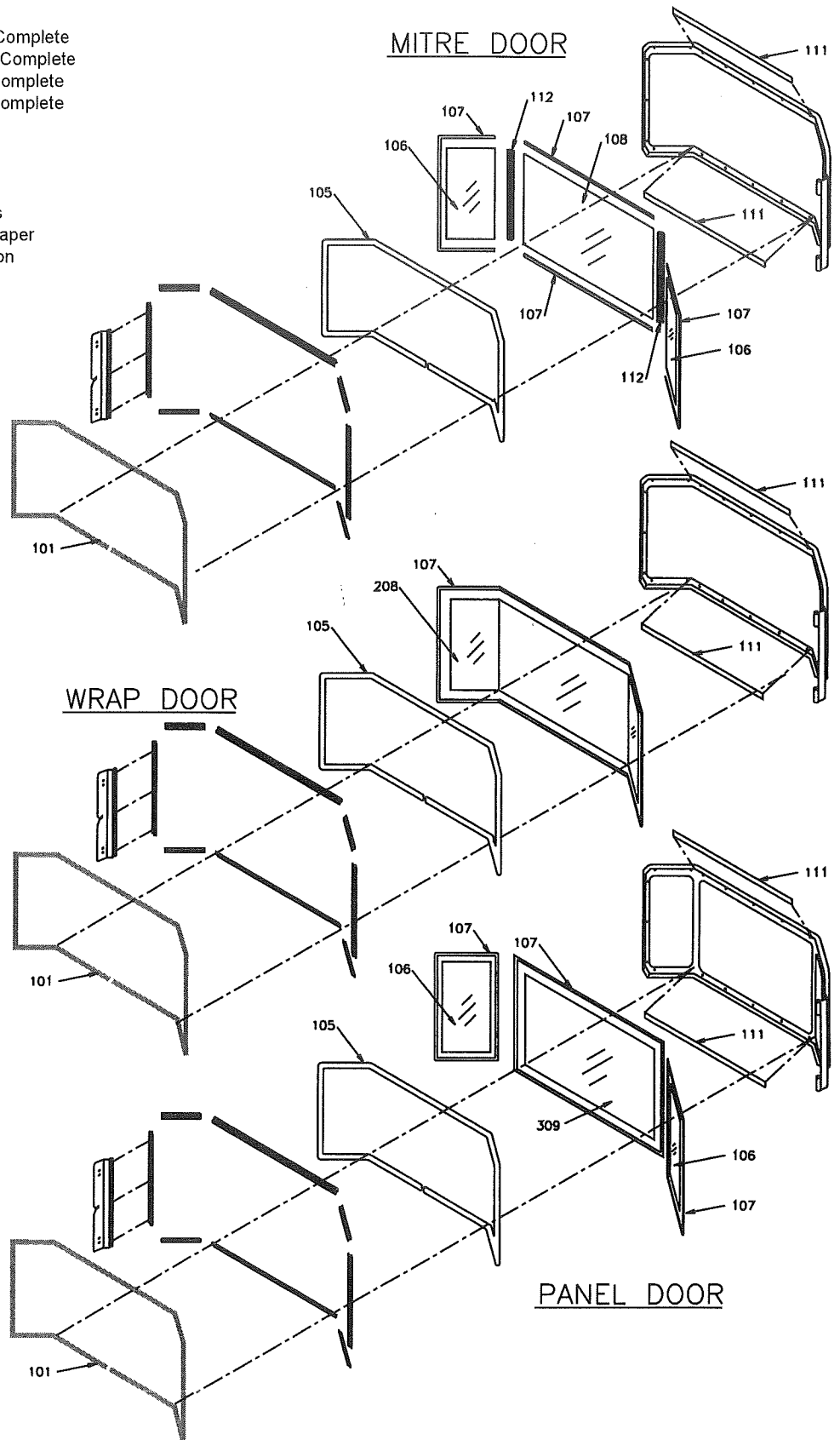
U45-3 BURNER & LOG ASSEMBLIES

Part #	Description
51)	910-241 Burner ON/OFF Switch (3-way)
52)	910-190 Piezo & Nut
53)	904-586 Knob - Fan Control
54)	910-373 Knob - Pilot Valve Extension
55)	910-372 Flame Adjusting Knob
56)	908-646 Control Panel Decal
57)	650-220 Control Panel Plate
	621-584/P Valve Assembly - Natural Gas
	621-586/P Valve Assembly - Propane
60)	910-378 Valve S.I.T. - Natural Gas
	910-380 Valve S.I.T. - Propane
	904-688 #32 Orifice - N.G.
	904-641 #50 Orifice - Propane
	936-170 Gasket for Orifice (NG/LP)
71)	591-200 Log Stand
72)	910-034 Pilot Hood Assy - SIT-3 flame - N.G.
	910-035 Pilot Hood Assy - SIT-3 flame - Propane
75)	653-930 Pkg. Log Set
77)	936-191 Gasket - Burner Tray/Firebox Base
78)	936-192 Gasket - Burner Tray/Air Passage
79)	653-531 Burner Assy
80)	260-565 Air Shutter Gear Assembly
81)	904-565 Hex Key 3/16" AF



U45-3 DOOR ASSEMBLIES

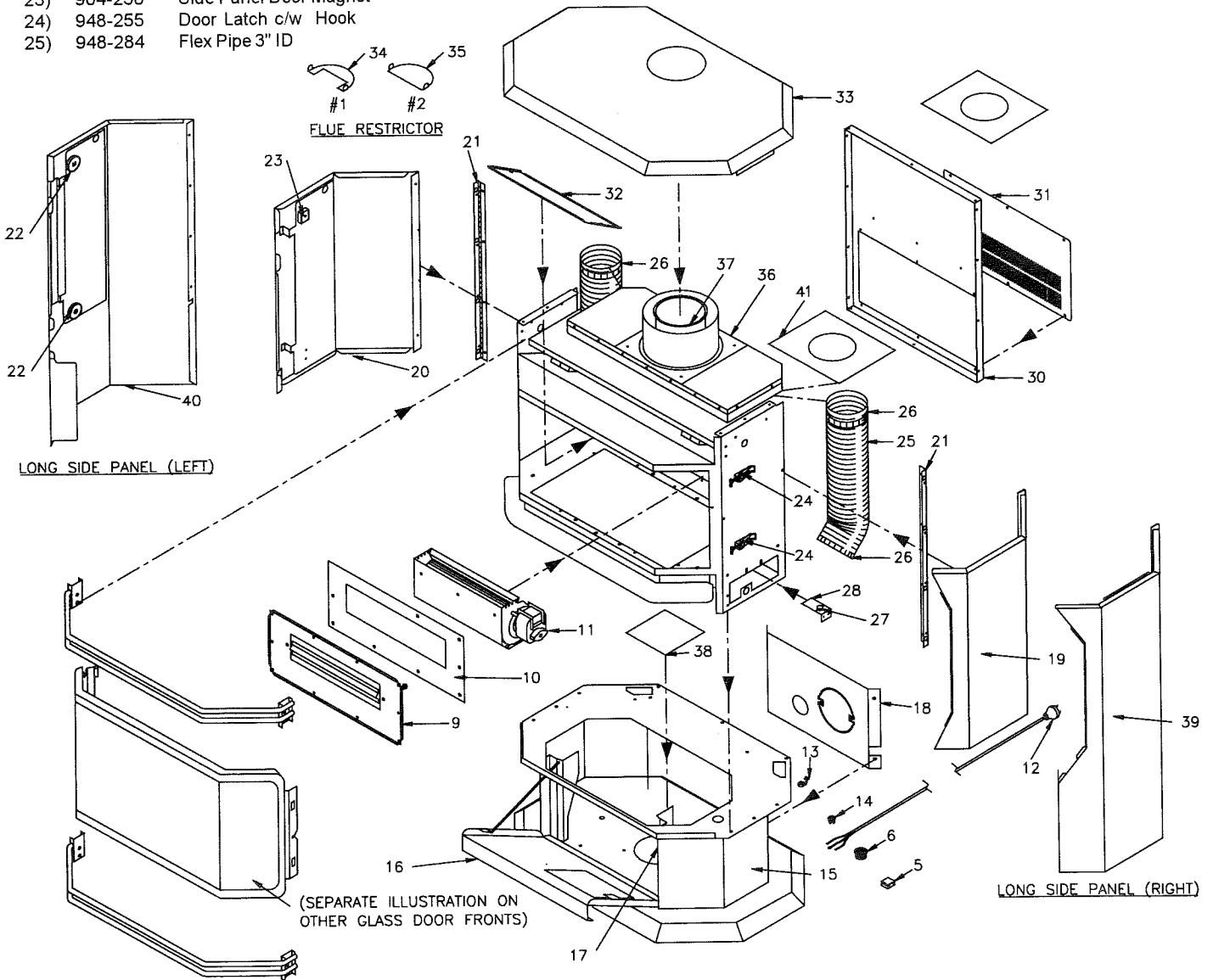
Part #	Description
650-975	Gold Mitred Door - Complete
650-974	Black Mitred Door - Complete
650-972	Gold Wrap Door - Complete
650-970	Gold Panel Door - Complete
101) 650-920	Door Gasket Kit
105) 936-264	Ceramic Paper
106) 940-226/P	Side Glass
107) 936-243	Glass Gasket
108) 940-227/P	Mitred Centre Glass
111) 936-262	Door Frame Fibre Paper
112) 650-236	Door Glass Extrusion
208) 940-235/P	Wrap Glass
309) 940-225/P	Panel Centre Glass



PARTS LIST

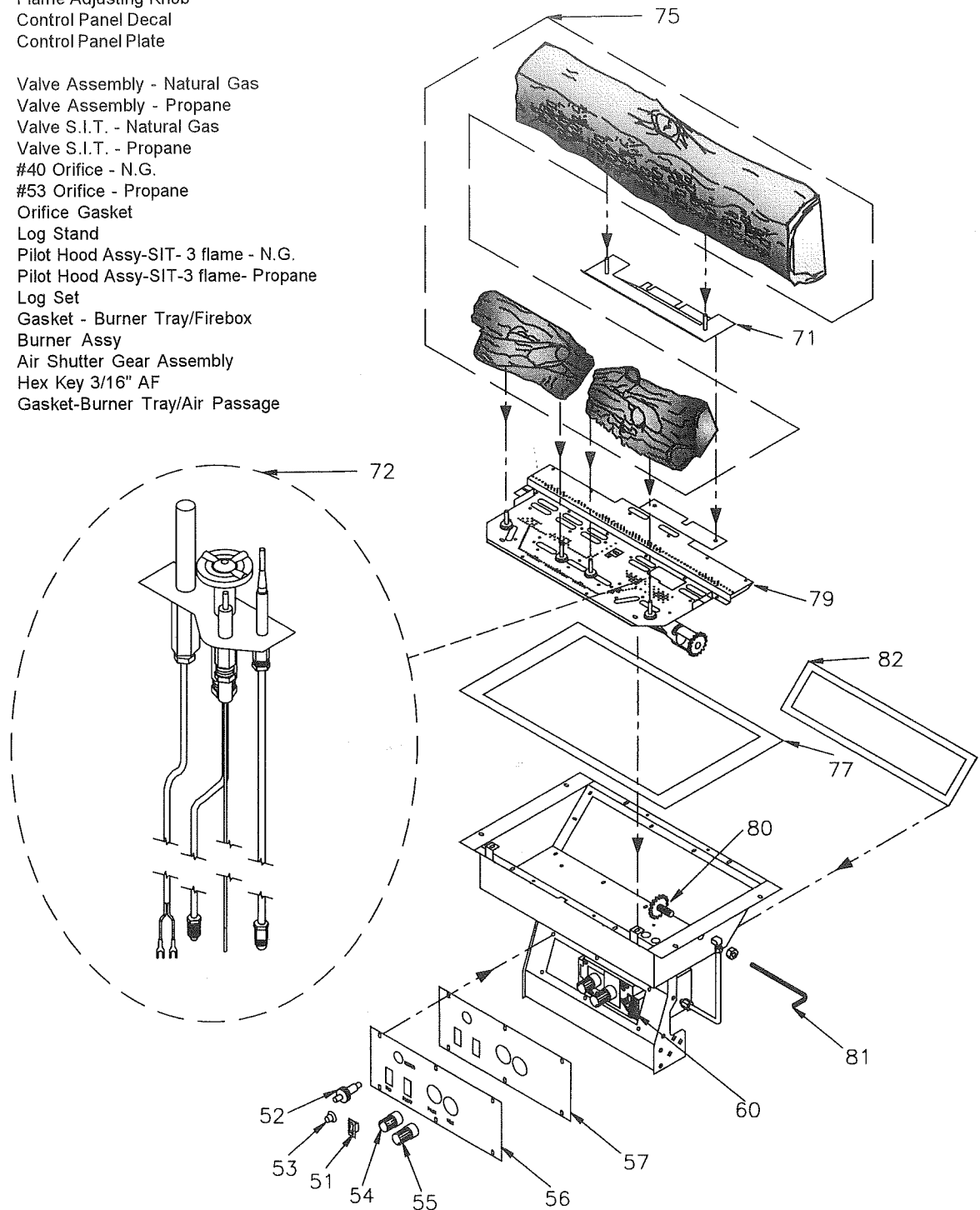
U29-2 MAIN ASSEMBLY

Part #	Description	Part #	Description
5)	910-190 Wire Holder Clip	26)	904-603 Hose Clamp
6)	910-179 Snap Bushing	27)	910-233 Thermodisc - Fan Auto/On/Off
9)	640-525 Relief Door Assembly	28)	650-086 Mounting Bracket - Fan Thermodisc
10)	640-033 Mounting Plate Gasket	30)	630-021 Fan Access Panel
11)	560-917 Fan Assembly	31)	630-019 Rear Panel
	910-331/P Fan Motor (120 Volt)	32)	560-071 Firebox Baffle
12)	910-794 Power Cord (120 Volt)	33)	630-520 False Top Assembly
	910-330 Fan Speed Control	34)	620-051 Flue Restrictor #1
13)	910-178 Grommet for power cord	35)	620-052 Flue Restrictor #2
14)	904-531 Split Plastic Bushing	36)	936-194 Gasket-Starter Collar/Air Passage
15)	560-525 Pedestal Assembly	37)	936-197 Gasket-Flue Collar/Starter Collar
16)	560-026 Pedestal Door	38)	820-058 Pedestal Base Cover
17)	904-257 Pedestal Door Magnet	39)	560-558 Long Side Panel Door Assy (Right)
18)	560-025 Pedestal Back	40)	560-559 Long Side Panel Door Assy (Left)
19)	560-556 Short Side Panel Door Assy (Right Side)	41)	630-011 Gasket - Air Passage
20)	560-557 Short Side Panel Door Assy (Left Side)		948-116 Logo Plate
21)	560-031 Hinge for Side Panel		908-882 Manual
22)	904-262 Round Magnet		
23)	904-258 Side Panel Door Magnet		
24)	948-255 Door Latch c/w Hook		
25)	948-284 Flex Pipe 3" ID		



U29-2 BURNER & LOG ASSEMBLY

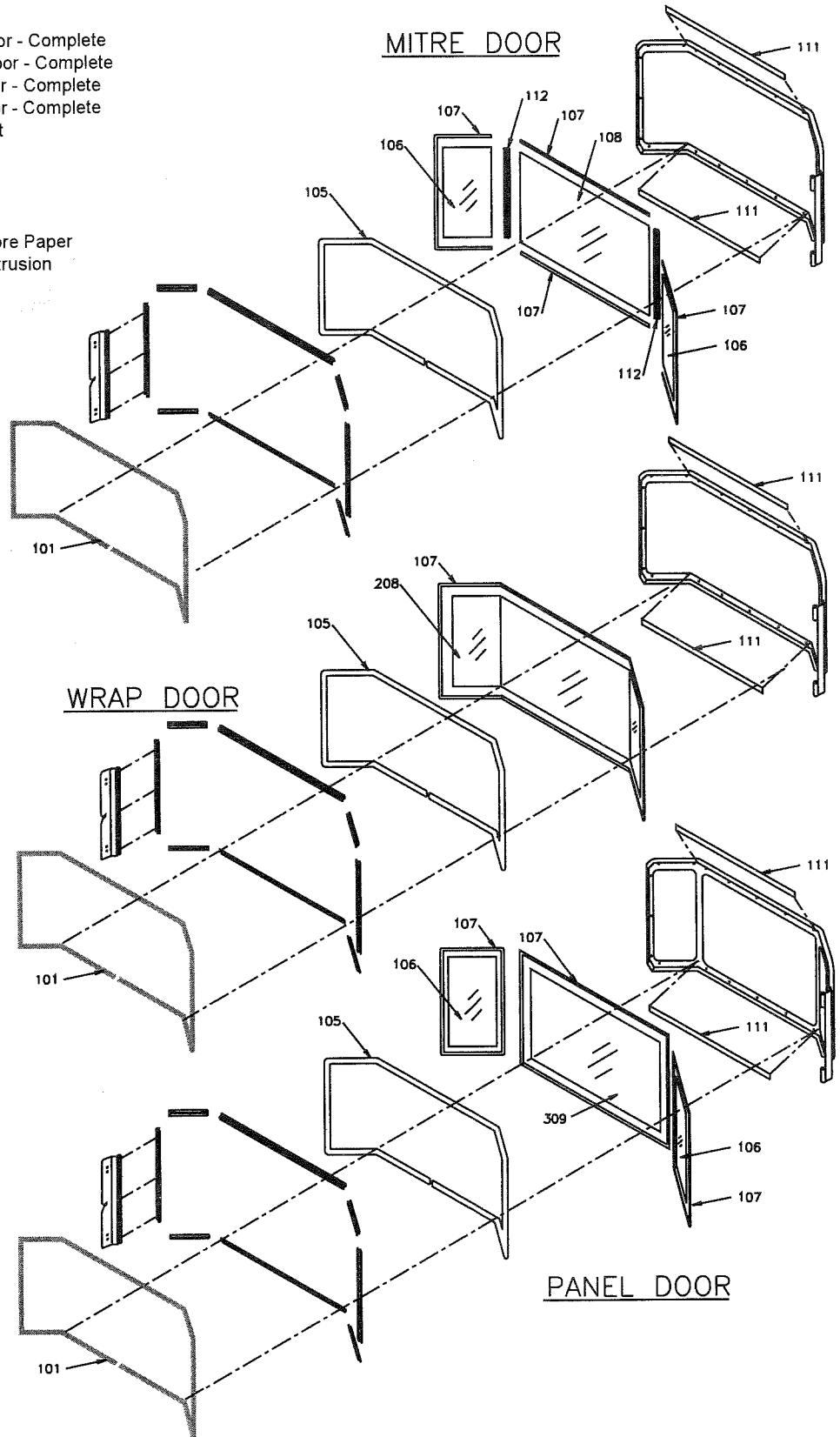
Part #	Description
51)	910-241 Burner ON/OFF Switch (3-way)
52)	910-190 Piezo & Nut
53)	904-586 Knob for Fan Speed Control
54)	910-373 Knob - Pilot Valve Extension
55)	910-372 Flame Adjusting Knob
56)	908-646 Control Panel Decal
57)	650-220 Control Panel Plate
	630-522/P Valve Assembly - Natural Gas
	630-524/P Valve Assembly - Propane
60)	910-378 Valve S.I.T. - Natural Gas
	910-380 Valve S.I.T. - Propane
	904-593 #40 Orifice - N.G.
	904-345 #53 Orifice - Propane
	936-170 Orifice Gasket
71)	560-072 Log Stand
72)	910-034 Pilot Hood Assy-SIT- 3 flame - N.G.
	910-035 Pilot Hood Assy-SIT-3 flame- Propane
75)	560-935 Log Set
77)	630-008 Gasket - Burner Tray/Firebox
79)	651-580 Burner Assy
80)	260-565 Air Shutter Gear Assembly
81)	904-565 Hex Key 3/16" AF
82)	630-009 Gasket-Burner Tray/Air Passage



PARTS LIST

U29-2 DOOR ASSEMBLIES

Part #	Description
560-924	Gold Mitred Door - Complete
560-926	Black Mitred Door - Complete
560-932	Gold Wrap Door - Complete
560-928	Gold Panel Door - Complete
101) 650-920	Door Gasket Kit
105) 936-264	Ceramic Paper
106) 940-236/P	Side Glass
107) 936-243	Glass Gasket
108) 940-237/P	Centre Glass
111) 936-262	Door Frame Fibre Paper
112) 932-111/03	Door Glass Extrusion
208) 940-238/P	Wrap Glass





Regency Fireplace Products, are designed with reliability and simplicity in mind. In addition, our internal Quality Assurance Team carefully inspects each unit thoroughly before it leaves our door. Regency Industries Ltd. is pleased to extend this limited lifetime warranty to the original purchaser of a Regency Product.

The Warranty: Lifetime

Covered under the agreement are the following components: Combustion chamber, heat exchanger, burner tubes, logs, embers, glass (thermal breakage) and all gold plating (against defective manufacture).

The above will be covered for parts and labour for the first five years and parts only thereafter. Electrical components such as blowers, fan motor, switches, wiring, thermodiscs, remote control, thermopiles, thermocouples, pilot assemblies, and gas valves are covered for one year from the date of purchase.

Conditions:

All installations must be performed by a qualified gas fitter and installed according to all applicable local and national codes. Also, all service work must be carried out by a qualified gas service person who is recommended by the selling dealer. It is the responsibility of the installer to ensure that the appliance is firing as per rating plate. Any part or parts of this unit which in our judgement show evidence of such defect will be repaired or replaced at Regency's option, through an accredited distributor or agent provided that the defective part be returned to the distributor or agent **Transportation Prepaid**, if requested.

Exclusions:

This limited Lifetime Warranty does not extend to or include paint, door or glass gasketing or trim. It does not cover installation and operational related problems such as over-firing, downdrafts or spillage caused by environmental conditions, nearby trees, buildings, hilltops, mountains, inadequate venting or ventilation, excessive offsets, negative air pressures caused by insufficient make up air, mechanical systems such as furnaces, fans, clothes dryers etc. The warranty does not extend to any part or parts which show evidence of misuse or abuse, neglect, accident or lack of maintenance.

Products made by other manufacturers and used in conjunction with the operation of this appliance without authorization from Regency, may nullify your warranty on this product.

Regency Industries Ltd., shall in no event be liable for any special, indirect consequential damages of any nature whatsoever which are in excess of the original purchase price of the product. Any alteration to the unit which causes sooting or carboning that results in damage to the exterior facia is not the responsibility of Regency Industries Ltd.

Note: Warranty is not transferable.

Vent Components:

The venting components are under warranty from Simpson Dura-Vent Inc.

General:

It is essential that all submitted claims provide all of the necessary information including purchase date, serial #, type of unit and part or parts requested.



Regency fireplace products are designed with reliability and simplicity in mind. In addition, our internal Quality Assurance Team carefully inspects each unit thoroughly before it leaves our door.

Fireplace Products International Ltd. is pleased to extend this Limited Lifetime Warranty to the original purchaser of a Regency Product.

See the inside back cover for details.

Installer: Please complete the following information

Dealer Name & Address: _____

Installer: _____

Phone #: _____

Date Installed: _____

Serial No.: _____