



Regency HZ33CE Gas Fireplace

Owners & Installation Manual

MODEL: HZ33CE-NG Natural Gas
HZ33CE-LP Propane



HZ33CE Video

www.regency-fire.com

WARNING:

If the information in these instructions are not followed exactly, a fire or explosion may result causing property damage, personal injury or loss of life.

FOR YOUR SAFETY

Do not store or use gasoline or other flammable vapors and liquids in the vicinity of this or any other appliance.

Installation and service must be performed by a qualified installer, service agency or the gas supplier.

FOR YOUR SAFETY

What to do if you smell gas:

- Do not try to light any appliance
- Do not touch any electrical switch: do not use any phone in your building.
- Immediately call your gas supplier from a neighbour's phone. Follow the gas supplier's instructions.
- If you cannot reach your gas supplier, call the fire department.

Tested by:



Installer: Please complete the details on the back cover and leave this manual with the homeowner.
Homeowner: Please keep these instructions for future reference.

To the New Owner:

Congratulations!

You are the owner of a state-of-the-art Gas Fireplace by REGENCY®. The HZ33CE has been designed to provide you with all the warmth and charm of a fire at the flick of a switch. The model HZ33CE has been approved by Warnock Hersey for both safety and efficiency. As it also bears our own mark, it promises to provide you with economy, comfort and security for many trouble free years to follow. Please take a moment now to acquaint yourself with these instructions and the many features of your Regency® Fireplace.



WARNING!



**HOT GLASS WILL
CAUSE BURNS**

**DO NOT TOUCH GLASS
UNTIL COOLED**

**NEVER ALLOW CHILDREN
TO TOUCH GLASS**



Horizon Benefits Video



HZ33CE Video



We recommend that our products be installed and serviced by professionals who are certified in the U.S. by the National Fireplace Institute® (NFI) or in Canada by Wood Energy Technical Training (WETT).



MANUFACTURED MOBILE HOME REQUIREMENTS

INFORMATION FOR MOBILE/MANUFACTURED HOMES AFTER FIRST SALE

This Regency® product has been tested and listed by Warnock Hersey as a Direct Vent Wall Furnace to the following standards: VENTED GAS FIREPLACE HEATERS ANSI Z21.88 - 2009 / CSA 2.33 - 2009 and GAS-FIRED APPLIANCES FOR USE AT HIGH ALTITUDES CAN / CGA 2.17-M91.

This Direct Vent System Appliance must be installed in accordance with the manufacturer's installation instructions and the Manufactured Home Construction and Safety Standard, Title 24 CFR, Part 3280, or the current Standard of Fire Safety Criteria for Manufactured Home Installations, Sites, and Communities ANSI/NFPA 501A, and with CAN/CSA Z240-MH Mobile Home Standard in Canada.

This appliance installation must comply with the manufacturer's installation instructions and local codes, if any. In the absence of local codes follow the current National Fuel Gas Code, ANSI Z223.1 and the current National Electrical Code ANSI/NFPA 70 in the U.S.A., and the current CAN/CGA B149 Gas Installation Code and the current Canadian Electrical Code CSA C22.1 in Canada.

This appliance comes equipped with a dedicated #8 Ground Lug for attachment of the ground wire to the steel chassis as applicable to local codes.

The appliance, when installed, must be electrically grounded in accordance with local codes or, in the absence of local codes, with the National Electrical Code, ANSI/NFPA 70, or the Canadian Electrical Code, CSA C22.1.

This appliance may only be installed in an aftermarket permanently located, manufactured (U.S.A only) or mobile home, where not prohibited by local codes.

This appliance can only be used with the type of gas indicated on the rating plate. This appliance is not convertible for use with other gases, unless a certified kit is used. (Kit # 434-972).

Ensure that structural members are not cut or weakened during installation.

TABLE OF CONTENTS

SAFETY LABEL

Copy of Safety Decal.....	5
---------------------------	---

REQUIREMENTS

MA Code - CO Detector.....	6
----------------------------	---

DIMENSIONS

Unit Dimensions	7
4 sided faceplate Dimensions.....	7
Mantel Dimensions	7

INSTALLATION

Important Message	8
Before You Start	8
General Safety Information.....	8
Installation Checklist.....	9
Locating Your Gas Fireplace	9
Clearances	10
Mantel Leg Clearances.....	11
Mantel Clearances.....	11
Framing & Finishing.....	12
Tile Finish	12
Important message.....	13
Clean Finish.....	14
Framing Dimensions.....	15
Venting Introduction.....	16
Exterior Vent Termination Requirements	17
Regency® Direct Vent flex System	18
Rigid Pipe Venting Systems	19
4" X 6-5/8" RigiD Pipe Cross Reference Chart.....	20
Rigid Pipe Venting Arrangements	22
Vertical Termination with Co-Linear Flex System	23
Venting Arrangements - Vertical Terminations	24
Unit installation with Horizontal termination.....	29
Unit installation with Vertical Termination	30
Gas Line Installation	30
Pilot Adjustment.....	31
High Elevation	31
886 S.I.T. Valve Description.....	31
Gas Pipe Pressure Testing.....	31
Conversion from NG to LP	32
Wiring Diagrams	38
Proflame system GT	38
Proflame system GTM	39
Proflame system GTMF with optional fan.....	39

Installing the Optional Fan (Prior to unit installation)...	41
Optional fan Wiring Diagram	42
Installing the Optional Fan (installed unit)	42
Optional Wall Thermostat	44
Battery Installation.....	44
Optional Remote Control	44
Wall Switch	44
Aeration Adjustment	44
Optional Reflective Panel Installation.....	45
Glass Crystals AND optional stones.....	46
Installation On Burner and Firebox Floor.....	46
Optional Spa Stones Installation	46
Optional log set Installation	47
Glass screen guard and Glass Door installation	50
Standard Flush Door and screen.....	50
Optional 4-sided faceplate installation.....	51
Optional mantel installation.....	52

OPERATING INSTRUCTIONS

Operating Instructions	53
First Fire	53
Lighting Procedure	53
Shutdown Procedure.....	53
Normal Operating Sounds of Gas Appliances.....	53
Copy of Lighting Plate Instructions	54

MAINTENANCE

Maintenance Instructions.....	55
General Vent Maintenance	55
Glass Door.....	55
Glass Replacement	55
Valve Tray Replacement.....	56

PARTS LIST

Main Assembly	57
Accessories	58


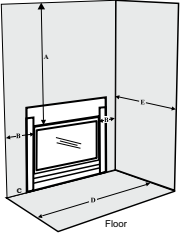
WARRANTY

The Warranty: Limited Lifetime	59
--------------------------------------	----

This is a copy of the label that accompanies each HZ33CE Direct Vent Gas Fireplace. We have printed a copy of the contents here for your review.

NOTE: Regency® units are constantly being improved. Check the label on the unit and if there is a difference, the label on the unit is the correct one.

COPY OF SAFETY DECAL

Duplicate S/N		406
 Intertek 4001172	Listed: VENTED GAS FIREPLACE HEATER Certified for/Certifiée pour: CANADA and U.S.A. Tested to: CAN/CGA-2.17-M91(R2009) ANSI Z21.88-2009/CSA 2.33-2009	DO NOT REMOVE THIS LABEL / NE PAS ENLEVER CETTE ÉTIQUETTE Serial No. / No de serie 406
MAY BE INSTALLED IN MANUFACTURED (MOBILE) HOMES AFTER FIRST SALE.		
○ Model/Modèle: HZ33CE-NG	NATURAL GAS: Model HZ33CE-NG Minimum supply pressure 5" WC (1.25 kPa) Manifold pressure high 3.5" WC (0.87 kPa) Manifold pressure low 1.6" WC (0.39 kPa) Orifice size # 47 DMS Minimum input 12,000 Btu/h (3.51 kW) Maximum input 17,000 Btu/h (4.98 kW) Altitude 0-4500 ft/pi (0-1372 m)	APPAREIL FONCTIONNANT AU NATURAL GAS CONCU POUR ETRE POELE: Modèle HZ33CE-NG Pression d'alimentation minimum Pression a la tubulure d'échappement élevée Pression a la tubulure d'échappement basse Grandeur de l'injecteur Débit Calorifique minimum selon Débit Calorifique maximum selon l'altitude
○ Model/Modèle: HZ33CE-LP	PROPANE: Model HZ33CE-LP Minimum supply pressure 11" WC (2.73 kPa) Manifold pressure high 10" WC (2.49 kPa) Manifold pressure low 6.4" WC (1.59 kPa) Orifice size # 56 DMS Minimum input 12,500 Btu/h (3.66 kW) Maximum input 15,000 Btu/h (4.39 kW) Altitude 0-4500 ft/pi (0-1372 m)	APPAREIL FONCTIONNANT AU PROPANE CONCU POUR ETRE POELE: Modèle HZ33CE-LP Pression d'alimentation minimum Pression a la tubulure d'échappement élevée Pression a la tubulure d'échappement basse Grandeur de l'injecteur Débit Calorifique minimum selon Débit Calorifique maximum selon l'altitude
<div style="display: flex; justify-content: space-between;"> <div style="width: 45%;">  </div> <div style="width: 50%;"> <p>Minimum Clearances to Combustibles Degagement Minimum De Matériaux Combustibles</p> <p>0" Clearance to combustibles from: Sides, bottom and rear of unit *Top - 3-1/2" (89mm) non-combustible material required above unit.</p> <p>Ceiling Clearances from Top Opening of Unit: (A) 30" (762mm)</p> <p>Side Wall Clearance from Side Opening of Unit: (B) 9" (229mm)</p> <p>Floor Clearance: (C) 0"</p> <p>Alcove Clearances (D) Min. Width 84" (1219mm) (E) Max. Depth 36" (914mm)</p> <p>(See Instruction Manual for Detailed Instructions)</p> </div> </div>		
<p>This appliance must be installed in accordance with local codes, if any; if none, follow the National Fuel Gas Code, ANSI Z223.1, or Natural Gas and Propane Installation Code, CSA B149.1.</p> <p>This appliance must be installed in accordance with the Standard CAN/CSA Z240 MH, Mobile Housing, in Canada, or with the Manufactured Home Construction and Safety Standard, Title 24 CFR, Part 3280, in the United States, or when such a standard is not applicable, ANSI/NCSCS A225.1/NFPA 501A, Manufactured Home Installations Standard.</p> <p>This appliance is only for use with the type of gas indicated on the rating plate and may be installed in an aftermarket, permanently located, manufactured (mobile) home where not prohibited by local codes. See owner's manual for details. Fan (Part# 432-917)</p> <p>Installer l'appareil selon les codes ou règlements locaux, ou, en l'absence de tels règlements, selon les codes d'installation ANSI Z223.1, National Fuel Gas Code ou CSA-B149.1 en vigueur.</p> <p>Installer l'appareil selon la norme CAN/CSA-Z240, Série MM, Maison mobiles ou CAN/CSA-Z240 VC, Véhicules de camping, ou la norme 24 CFR Part 3280, Manufactured Home Construction and Safety Standard.</p> <p>Si ces normes ne sont pas pertinentes, utilisez la norme ANSI/NCSCS A225.1/NFPA 501A, Manufactured Home Installations Standard.</p> <p>Cet appareil doit être utilisé uniquement avec le type de gaz indiqué sur la plaque signalétique. Cet appareil peut être installé dans une maison préfabriquée ou mobile (É.-U. seulement) installée à demeure si les règlements locaux le permettent. Voir la notice de l'utilisateur pour plus de renseignements. Cet appareil ne peut pas être utilisé avec d'autres gaz sauf si une trousse de conversion certifiée est fournie.</p> <p>This vented gas fireplace heater is not for use with air filters. Ne pas utiliser de filtre à air avec ce foyer au gaz à évacuation. Electrical supply / Électrique 115VAC, 1.13 A, 60Hz.</p> <p>For use with glass doors certified with the appliance only Pour utilisation uniquement avec les portes en verre certifiées avec l'appareil</p>		
<p>VENTED GAS FIREPLACE HEATER - NOT FOR USE WITH SOLID FUELS. FOYER AU GAZ À ÉVACUATION - NE PAS UTILISER AVEC DUCOMBUSTIBLE SOLIDE.</p> <p style="text-align: right;">FPI Fireplace Products International Ltd. Delta, BC, Canada</p> <p style="text-align: right;">Made in Canada / Fabriqué au Canada 919-119</p>		

For the State of Massachusetts, installation and repair must be done by a plumber or gas fitter licensed in the Commonwealth of Massachusetts.

For the State of Massachusetts, flexible connectors shall not exceed 36 inches in length.

For the State of Massachusetts, the appliances individual manual shut-off must be a t-handle type valve.

The State of Massachusetts requires the installation of a carbon monoxide alarm in accordance with NFPA 720 and a CO alarm with battery back up in the same room where the gas appliance is installed.

MA Code - CO Detector (for the State of Massachusetts only)

5.08: Modifications to NFPA-54, Chapter 10

(2) Revise 10.8.3 by adding the following additional requirements:

(a) For all side wall horizontally vented gas fueled equipment installed in every dwelling, building or structure used in whole or in part for residential purposes, including those owned or operated by the Commonwealth and where the side wall exhaust vent termination is less than seven (7) feet above finished grade in the area of the venting, including but not limited to decks and porches, the following requirements shall be satisfied:

1. **INSTALLATION OF CARBON MONOXIDE DETECTORS.** At the time of installation of the side wall horizontal vented gas fueled equipment, the installing plumber or gasfitter shall observe that a hard wired carbon monoxide detector with an alarm and battery back-up is installed on the floor level where the gas equipment is to be installed. In addition, the installing plumber or gasfitter shall observe that a battery operated or hard wired carbon monoxide detector with an alarm is installed on each additional level of the dwelling, building or structure served by the side wall horizontal vented gas fueled equipment. It shall be the responsibility of the property owner to secure the services of qualified licensed professionals for the installation of hard wired carbon monoxide detectors

a. In the event that the side wall horizontally vented gas fueled equipment is installed in a crawl space or an attic, the hard wired carbon monoxide detector with alarm and battery back-up may be installed on the next adjacent floor level.

b. In the event that the requirements of this subdivision can not be met at the time of completion of installation, the owner shall have a period of thirty (30) days to comply with the above requirements; provided, however, that during said thirty (30) day period, a battery operated carbon monoxide detector with an alarm shall be installed.

2. **APPROVED CARBON MONOXIDE DETECTORS.** Each carbon monoxide detector as required in accordance with the above provisions shall comply with NFPA 720 and be ANSI/UL 2034 listed and IAS certified.

3. **SIGNAGE.** A metal or plastic identification plate shall be permanently mounted to the exterior of the building at a minimum height of eight (8) feet above grade directly in line with the exhaust vent terminal for the horizontally vented gas fueled heating appliance or equipment. The sign shall read, in print size no less than one-half (1/2) inch in size, "**GAS VENT DIRECTLY BELOW. KEEP CLEAR OF ALL OBSTRUCTIONS**".

4. **INSPECTION.** The state or local gas inspector of the side wall horizontally vented gas fueled equipment shall not approve the installation unless, upon inspection, the inspector observes carbon monoxide detectors and signage installed in accordance with the provisions of 248 CMR 5.08(2)(a)1 through 4.

(b) **EXEMPTIONS:** The following equipment is exempt from 248 CMR 5.08(2)(a)1 through 4:

1. The equipment listed in Chapter 10 entitled "Equipment Not Required To Be Vented" in the most current edition of NFPA 54 as adopted by the Board; and

2. Product Approved side wall horizontally vented gas fueled equipment installed in a room or structure separate from the dwelling, building or structure used in whole or in part for residential purposes.

(c) **MANUFACTURER REQUIREMENTS - GAS EQUIPMENT VENTING SYSTEM PROVIDED.** When the manufacturer of Product Approved side wall horizontally vented gas equipment provides a venting system design or venting system components with the equipment, the instructions provided by the manufacturer for installation of the equipment and the venting system shall include:

1. Detailed instructions for the installation of the venting system design or the venting system components; and

2. A complete parts list for the venting system design or venting system.

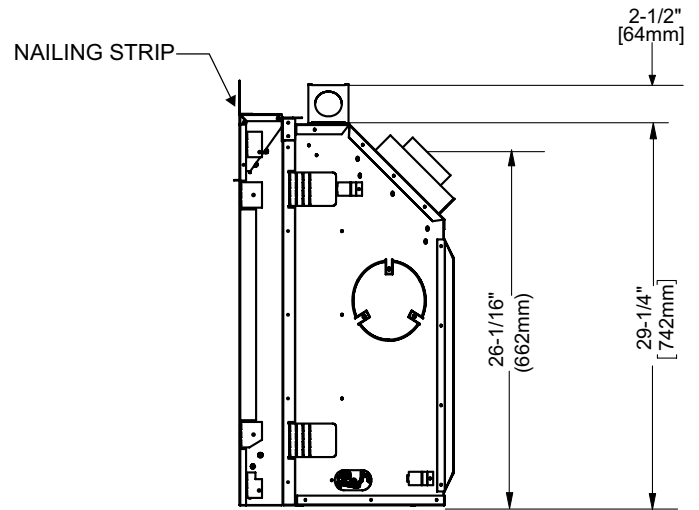
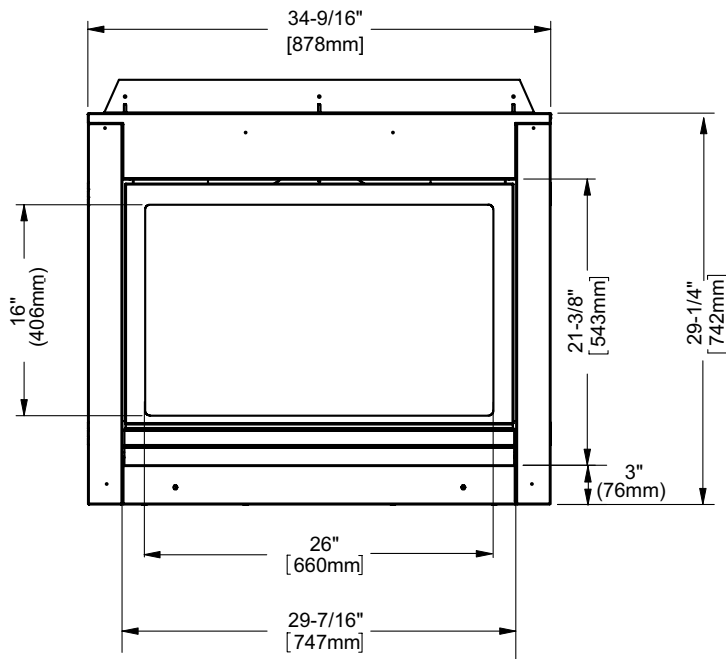
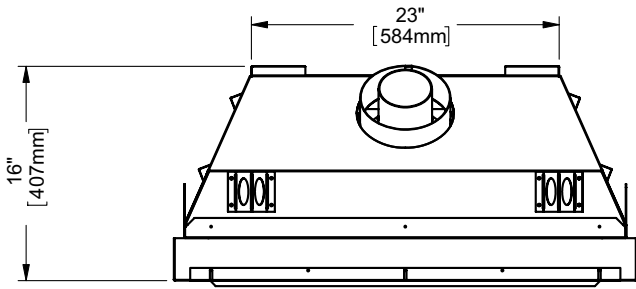
(d) **MANUFACTURER REQUIREMENTS - GAS EQUIPMENT VENTING SYSTEM NOT PROVIDED.** When the manufacturer of a Product Approved side wall horizontally vented gas fueled equipment does not provide the parts for venting the flue gases, but identifies "special venting systems", the following requirements shall be satisfied by the manufacturer:

1. The referenced "special venting system" instructions shall be included with the appliance or equipment installation instructions; and

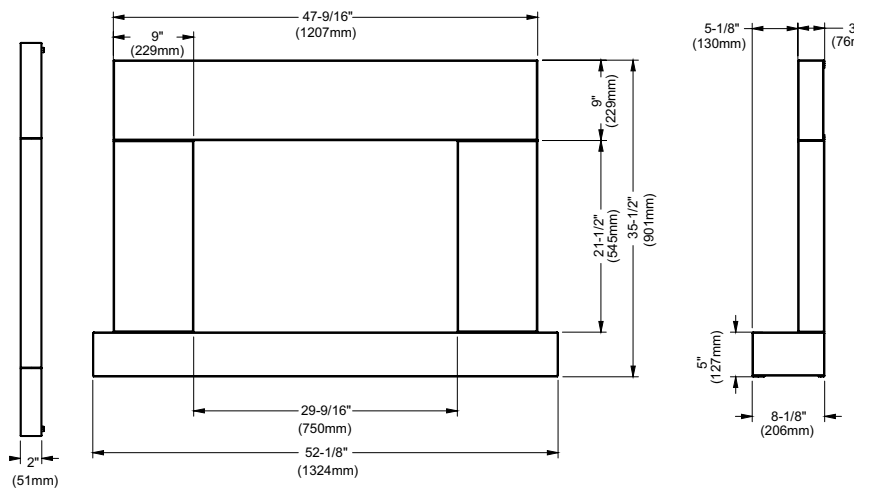
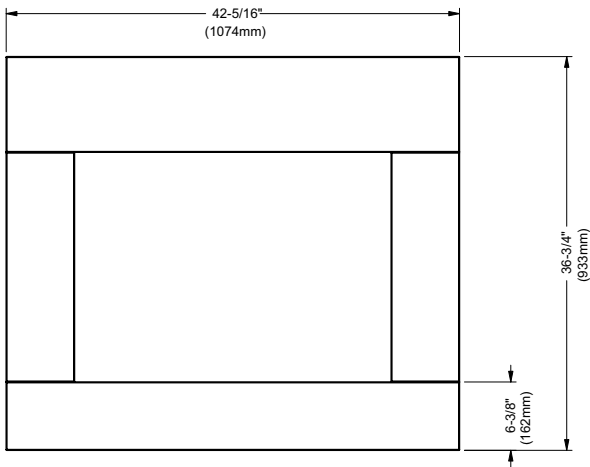
2. The "special venting systems" shall be Product Approved by the Board, and the instructions for that system shall include a parts list and detailed installation instructions.

(e) A copy of all installation instructions for all Product Approved side wall horizontally vented gas fueled equipment, all venting instructions, all parts lists for venting instructions, and/or all venting design instructions shall remain with the appliance or equipment at the completion of the installation.

UNIT DIMENSIONS



4 SIDED FACEPLATE DIMENSIONS



MANTEL DIMENSIONS

INSTALLATION

IMPORTANT MESSAGE SAVE THESE INSTRUCTIONS

The HZ33CE™ Fireplace must be installed in accordance with these instructions. Carefully read all the instructions in this manual first. Consult the "authority having jurisdiction" to determine the need for a permit prior to starting the installation. It is the responsibility of the installer to ensure this fireplace is installed in compliance with manufacturers instructions and all applicable codes.

BEFORE YOU START

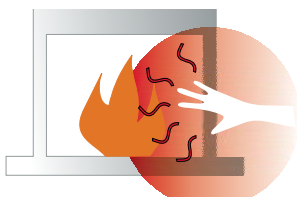
Safe installation and operation of this appliance requires common sense, however, we are required by the Canadian Safety Standards and ANSI Standards to make you aware of the following:

INSTALLATION AND REPAIR SHOULD BE DONE BY AN AUTHORIZED SERVICE PERSON. THE APPLIANCE SHOULD BE INSPECTED BEFORE USE AND AT LEAST ANNUALLY BY A PROFESSIONAL SERVICE PERSON. MORE FREQUENT CLEANING MAY BE REQUIRED DUE TO EXCESSIVE LINT FROM CARPETING, BEDDING MATERIAL, ETC. IT IS IMPERATIVE THAT CONTROL COMPARTMENTS, BURNERS AND CIRCULATING AIR PASSAGEWAYS OF THE APPLIANCE BE KEPT CLEAN.

DUE TO HIGH TEMPERATURES, THE APPLIANCE SHOULD BE LOCATED OUT OF TRAFFIC AND AWAY FROM FURNITURE AND DRAPERIES.

WARNING: FAILURE TO INSTALL THIS APPLIANCE CORRECTLY WILL VOID YOUR WARRANTY AND MAY CAUSE A SERIOUS HOUSE FIRE.

CHILDREN AND ADULTS SHOULD BE ALERTED TO THE HAZARDS OF HIGH SURFACE TEMPERATURES, ESPECIALLY THE FIREPLACE GLASS, AND SHOULD STAY AWAY TO AVOID BURNS OR CLOTHING IGNITION.



YOUNG CHILDREN SHOULD BE CAREFULLY SUPERVISED WHEN THEY ARE IN THE SAME AREA AS THE APPLIANCE. TODDLERS, YOUNG CHILDREN AND OTHERS MAY BE SUSCEPTIBLE TO ACCIDENTAL CONTACT BURNS. A PHYSICAL BARRIER IS RECOMMENDED IF THERE ARE AT RISK INDIVIDUALS IN THE HOUSE. TO RESTRICT ACCESS TO A FIREPLACE OR STOVE, INSTALL AN ADJUSTABLE SAFETY GATE TO KEEP TODDLERS, YOUNG CHILDREN AND OTHER AT RISK INDIVIDUALS OUT OF THE ROOM AND AWAY FROM HOT SURFACES.

CLOTHING OR OTHER FLAMMABLE MATERIAL SHOULD NOT BE PLACED ON OR NEAR THE APPLIANCE.

ANY SAFETY SCREEN, GUARD, OR BARRIER REMOVED FOR SERVICING THE APPLIANCE, MUST BE REPLACED PRIOR TO OPERATING THE APPLIANCE.

IF THE BARRIER BECOMES DAMAGED, THE BARRIER SHALL BE REPLACED WITH THE MANUFACTURER'S BARRIER FOR THIS APPLIANCE.

GENERAL SAFETY INFORMATION

1. The appliance installation must conform with local codes or, in the absence of local codes, with the current Canadian or National Gas Codes, CAN1-B149 or ANSI Z223.1 Installation Codes.
2. The appliance when installed, must be electrically grounded in accordance with local codes, or in the absence of local codes with the current National Electrical Code, ANSI/NFPA 70 or CSA C22.1 Canadian Electrical Code.
3. See general construction and assembly instructions. The appliance and vent should be enclosed.
4. This appliance must be connected to the specified vent and termination cap to the outside of the building envelope. Never vent to another room or inside a building. Make sure that the vent is fitted as per Venting instructions.

5. Inspect the venting system annually for blockage and any signs of deterioration.
6. Venting terminals shall not be recessed into a wall or siding.
7. Any safety glass removed for servicing must be replaced prior to operating the appliance.
8. To prevent injury, do not allow anyone who is unfamiliar with the operation to use the fireplace.
9. Wear gloves and safety glasses for protection while doing required maintenance.
10. Be aware of electrical wiring locations in walls and ceilings when cutting holes for termination.
11. Under no circumstances should this appliance be modified. Parts that have to be removed for servicing should be replaced prior to operating this appliance.
12. Installation and any repairs to this appliance should be done by an authorized service person. A professional service person should be called to inspect this appliance annually. Make it a practice to have all of your gas appliances checked annually.
13. Do not slam shut or strike the glass door.
14. Under no circumstances should any solid fuels (wood, paper, cardboard, coal, etc.) be used in this appliance.
15. The appliance area must be kept clear and free of combustible materials, (gases and other flammable vapours and liquids).

Emissions from burning wood or gas could contain chemicals known to the State of California to cause cancer, birth defects or other reproductive harm.

INSTALLATION CHECKLIST

1. Locate appliance:
 - a) Room location (Refer to "Locating Your Gas fireplace" section)
 - b) Clearances to Combustibles (Refer to "Clearances" section)
 - c) Mantle Clearances (Refer to "Mantel Clearances" section)
 - d) Framing & Finishing Requirements (Refer to "Framing & Finishing" section)
 - e) Venting Requirements (Refer to "Venting" section)
2. Assemble Top and Side Standoffs (Refer to "Unit Assembly Prior to Installation").
3. Slide unit into place.
4. Install vent (Refer to "Venting Arrangement" sections).
5. Make gas connections (Refer to "Gas Line Installation section").
6. Test the pilot (Refer to "Pilot Adjustment" section).
7. Test Gas Pressure (Refer to "Gas Pipe Pressure Testing" section).
8. Install 4 AA batteries in the battery pack or optional AC power adaptor.
9. Install standard and optional features. Refer to the following sections:
 - a) Optional Reflective Panels
 - b) Glass Crystals or Optional Ceramic Stones
 - c) Remote Control or Wall Thermostat
 - d) Optional Fan Assembly
 - e) Optional 4 sided Faceplate
 - f) Optional Mantel
10. Wall Mounted ON/OFF Switch:

Use the toggle wall switch supplied with the manual package. Use of a "decor" switch causes higher resistance which is a problem on gas fireplaces.
11. Final check.

Before leaving this unit with the customer, the installer must ensure that the appliance is firing correctly and **operation fully explained to customer.**

This includes:

1. Clocking the appliance to ensure the correct firing rate (rate noted on label), after burning appliance for 15 minutes.
2. If required, adjusting the primary air to ensure that the flame does not carbon. First allow the unit to burn for 15-20 min. to stabilize.

CAUTION: Any alteration to the product that causes sooting or carboning that results in damage is not the responsibility of the manufacturer.

LOCATING YOUR GAS FIREPLACE

1. When selecting a location for your fireplace, ensure that the clearances are met.
2. The appliance must be installed on a flat, solid, continuous surface For example a wood, metal or concrete floor or in a raised (on the wall) application. The appliance must be installed on a metal or wood panel extending the full width and depth of the appliance.
3. The HZ33CE Gas Fireplace can be installed in a recessed position or framed out into the room as in A, B, C and D. See Diagram 1.

A) Flat on Wall

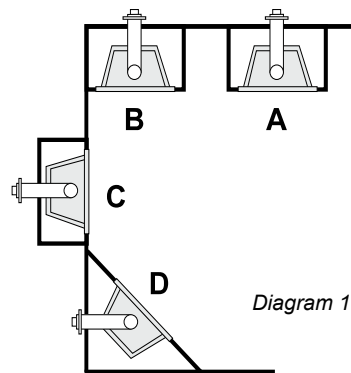


Diagram 1

- B) Flat on Wall Corner
- C) Recessed into Wall/Alcove
- D) Corner

4. This appliance is Listed for bedroom installations when used with a listed Millivolt Thermostat. Some areas may have further requirements, check local codes before installation.
5. The HZ33CE Gas Fireplace is approved for alcove installations, see "Clearances" section for details.
6. We recommend that you plan your installation on paper using exact measurements for clearances and floor protection before actually installing this appliance. Have an authorized inspector, dealer, or installer review your plans before installation.

Note: For vent terminations refer to "Exterior Vent Termination Locations" section.

CLEARANCES

The clearances listed below are Minimum distances unless otherwise stated:

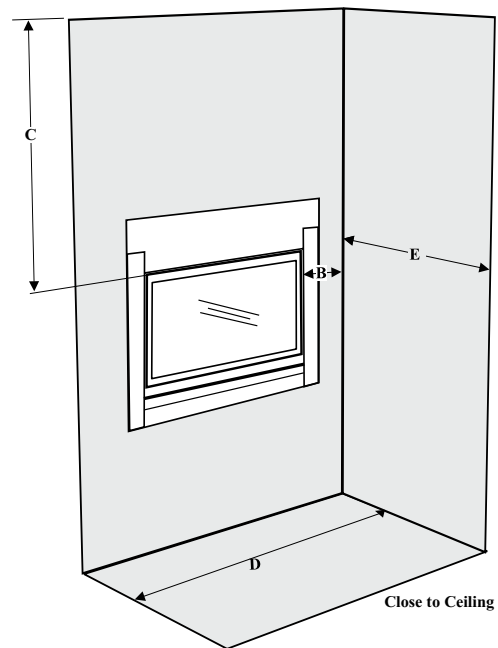
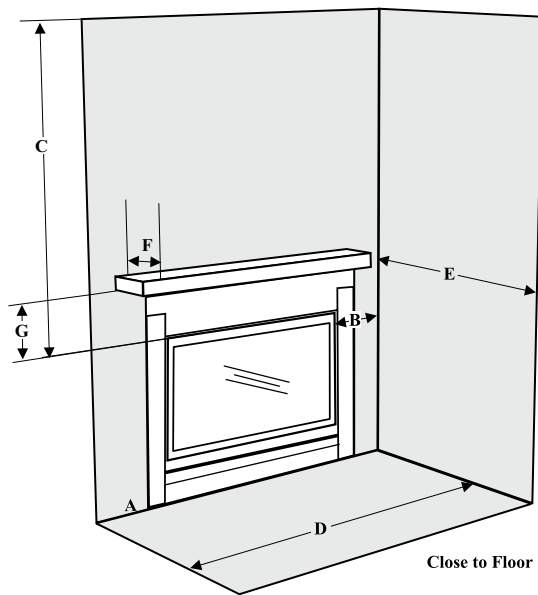
A major cause of chimney related fires is failure to maintain required clearances (air space) to combustible materials. It is of the greatest importance that this fireplace and vent system be installed only in accordance with these instructions.

Caution Requirements

The top, back and sides of the fireplace are defined by standoffs. The metal ends of the standoff may **NOT** be recessed into combustible construction.

WARNING

Fire hazard is an extreme risk if these clearances (air space) to combustible materials are not adhered to. It is of greatest importance that this fireplace and vent system be installed only in accordance with these instructions.



Clearance:	Dimension	Measured From:
A: *Front Floor Clearance (min.)	0"	Underside of Unit
B: *Sidewall (on one side)	9" (229mm)	Side Opening of Unit
C: *Ceiling (room and/or alcove)	30" (762mm)	Top Opening of Unit
D: Alcove Width	84" (1219mm)	Sidewall to Sidewall (Minimum)
E: Alcove Depth	36" (914mm)	Front to Back Wall (Maximum)
F: Mantel	12" (305mm)	
G: Mantel Clearances	15-3/4" (400mm)	From Top Opening of Unit

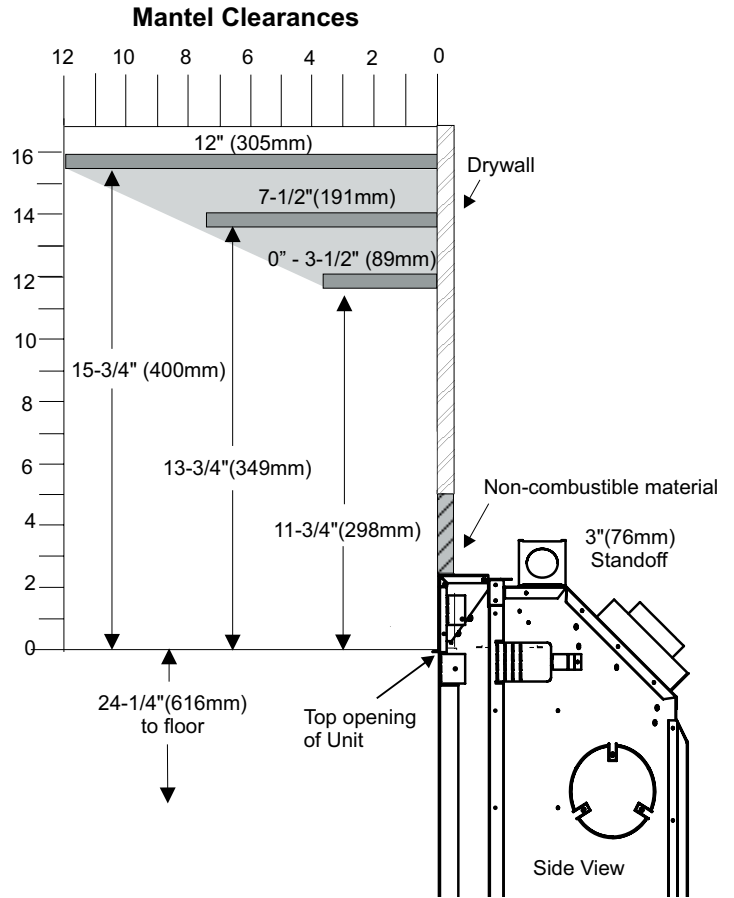
Flue Clearances	
Horizontal - Top	2-1/2"
Horizontal - Side	1-1/2"
Horizontal - Bottom	1-1/2"
Vertical (Flex Vent)	1-1/2"
Vertical (Rigid)	1-1/4"

MANTEL CLEARANCES

Due to the extreme heat this fireplace emits, the mantel clearances are critical. Combustible mantel clearances from top of front facing are shown in the diagram on the right.

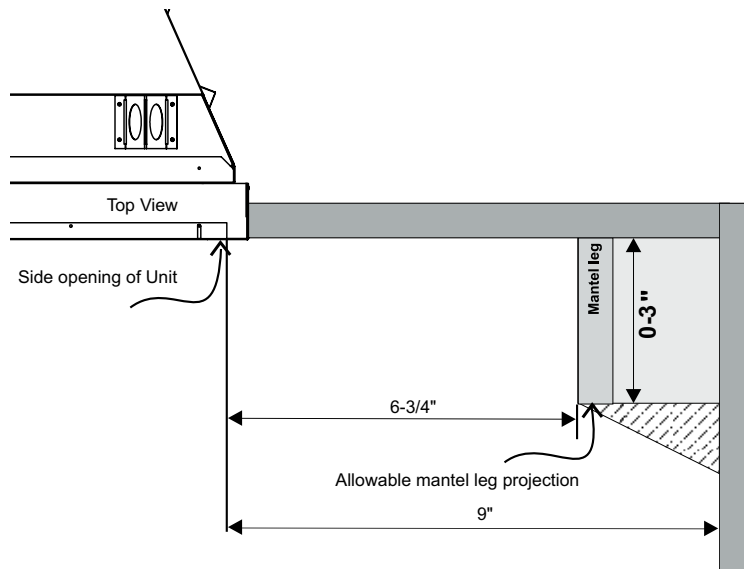
Note: A non-combustible mantel may be installed at a lower height if the framing is made of metal studs covered with a non-combustible board.

Note: Ensure the paint that is used on the mantel and the facing is "heat resistant" or the paint may discolour.



MANTEL LEG CLEARANCES

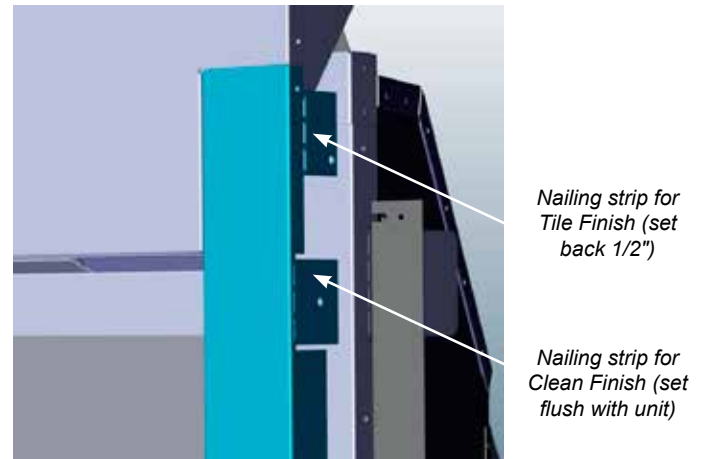
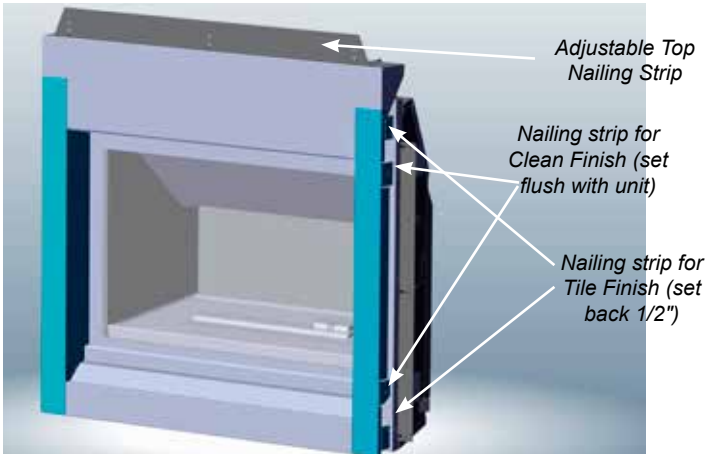
Combustible mantel leg clearances from side of unit as per diagram:



INSTALLATION

FRAMING & FINISHING

1. There are 8 (eight) side nailing strips and one top nailing strip available on the unit. One set of four (4) are for a clean finish installation, the other set are for a tile finish installation as they are set back 1/2" (13mm). The top nailing strip is adjustable to 1/2" (13mm).
2. Bend the required four (4) nailing strips to 90°.
3. Attach top nailing strip with one (1) screw (located at the back of the nailing strip). Adjust to required position, flush or back 1/2" and tighten screw.



1. Frame in the enclosure for the unit with framing material.

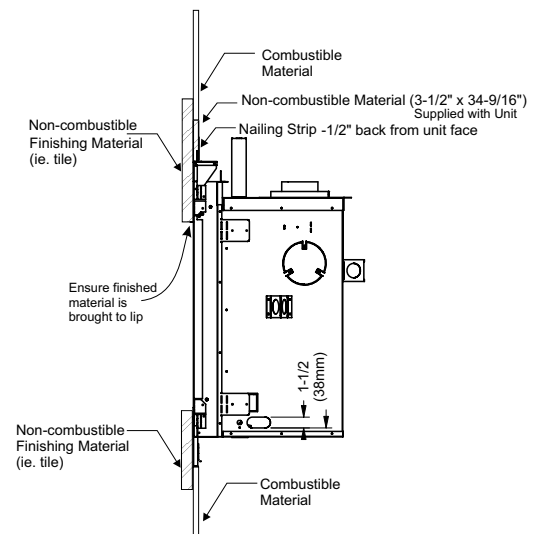
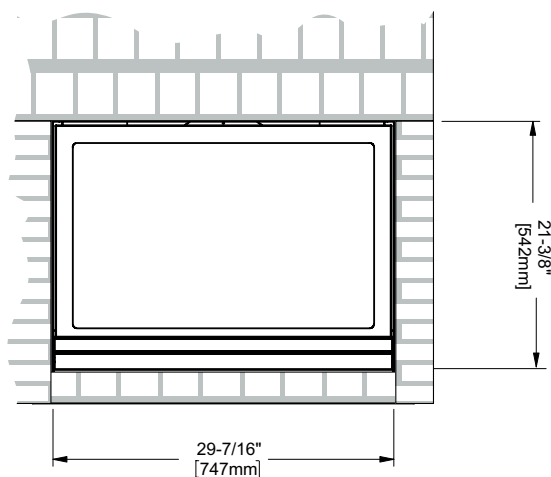
Note: When constructing the framed opening, please ensure there is access to install the gas lines when the unit is installed.

2. For exterior walls, insulate the enclosure to the same degree as the rest of the house; apply vapour barrier and drywall, as per local installation codes. (Do not insulate the fireplace itself.)

WARNING: Failure to insulate and add vapor barriers to the inside of the exterior wall will result in operational and performance problems including, but not limited to: excessive condensation on glass doors, poor flame package, carbon, blue flames etc. These are not product related issues.

3. The unit does not have to be completely enclosed in a chase. You must maintain clearances from the vent to combustible materials: See "Clearances" section. Combustible materials can be laid against the side and back standoffs and the stove base.
4. Tile Finish Option 1: Drywall may be installed onto the unit as shown below to create a surface to apply finishing materials such as tile, slate, etc. Drywall cannot extend beyond the metal surface of the unit.
5. Tile Finish Option 2: If applying a non-combustible finishing material (tile, slate, etc) the material can be installed directly onto the metal surface (clean front) of the unit in the area shown below.

TILE FINISH



IMPORTANT

Regency Fireplace Products are designed, produced, tested and certified to the highest industry standards.

The finishing of the walls surrounding your Regency Horizon Fireplace is as critical as the installation itself.

The temperatures around linear gas fireplaces are typically higher than would be acceptable for combustible materials. Your Regency Horizon Fireplace is no exception to this rule. Therefore, the units are specified with non-combustible required materials to specific dimensions above and around the units. This is due to these areas reaching higher temperature levels than required/acceptable for a combustible material. To obtain the best, most durable finish around your fireplace, this calls for a high level of care and attention to the preparation and finish around this appliance, using only the highest quality materials, able to withstand the temperatures produced.

By following the installation instructions in the manual exactly, you will increase your chances of a damage free finish.

While every precaution is taken in providing the recommendations on preparation and finish, given the variations in paint quality, with temperature limits and workmanship in application, Regency is unable to guarantee the life of the joint compounds, paint or any other finish materials or workmanship applied to or used in any application surrounding the fireplace. This includes framing as well as finishing.

Over time natural convection from any fireplace can cause discoloration in the area directly above the appliance. Lower quality paints, under-prepared finishes, poor applications, and any framing discrepancies or in the installation can cause this discoloration process to be expedited.

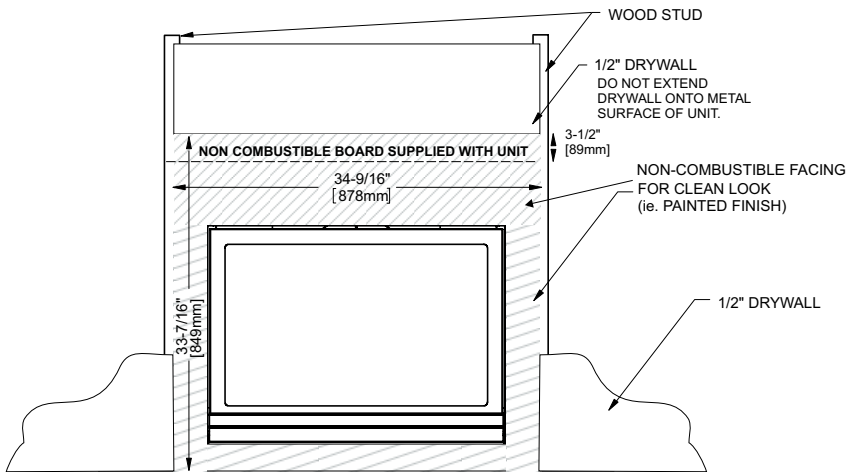
Discoloration is not the responsibility of Regency Fireplace Products. This is outwith the control of Regency Fireplace Products Ltd., therefore not covered under any part of the warranty policy.

While discoloration is not the responsibility of Regency Fireplace Products, we believe careful attention to the recommendations provided here will result in an aesthetically pleasing result free of issues outlined above.

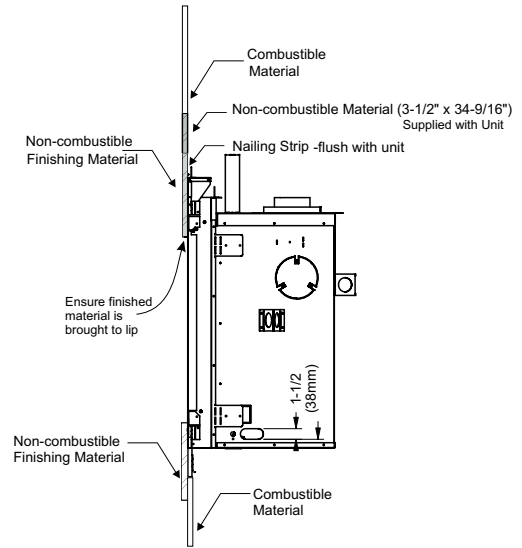
INSTALLATION

CLEAN FINISH

6. If applying a non-combustible facing it may be installed over the metal surface (clean front) of the unit in the area shown below.



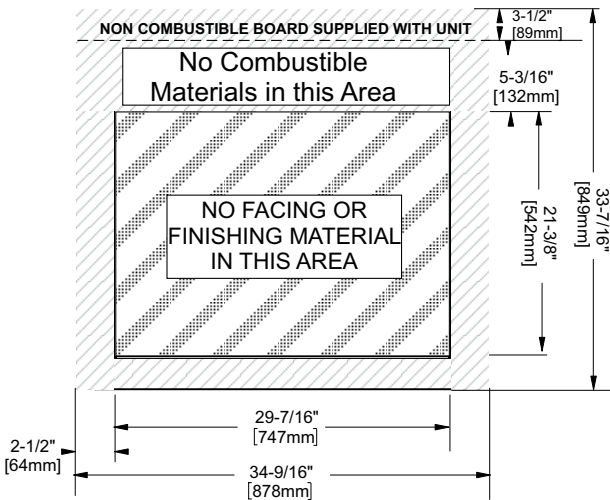
Combustible and Non-combustible Facing and Finishing Materials around unit.



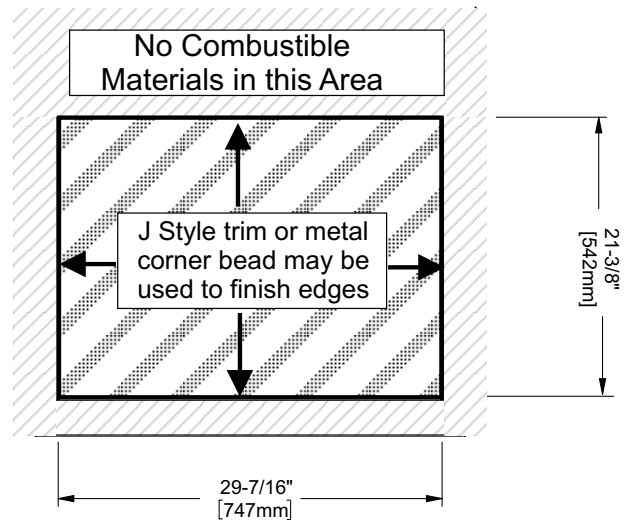
NOTE: The 3-1/2" x 34-9/16" non combustible material supplied with this unit can be replaced if trying to achieve a clean finish. A large piece of non combustible material (ie. 4' x 8' x 1/2") can be used to eliminate taped seams on or near unit.

7. Non-combustible material (ie. tile, slate, etc.) may be brought up to the edge of the glass door of the unit. Minimum clearances must be adhered to, this will assure ease of glass door removal and access to the lower panel.

NOTE: Non-combustible finishing materials may be of any thickness desired.



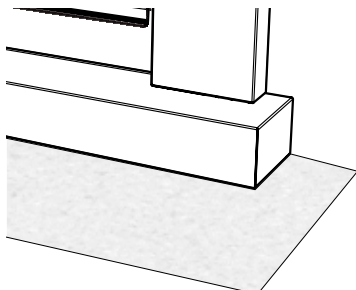
Minimum Clearances for Finishing Materials



Trim materials

IMPORTANT FINISHING DETAIL NOTE:

Before placing unit into final position - it is important to know the total thickness / height of finished hearth (tile, carpet, etc.) The base of the fireplace, 4 sided faceplate or mantel should be level or higher than the finished hearth height.



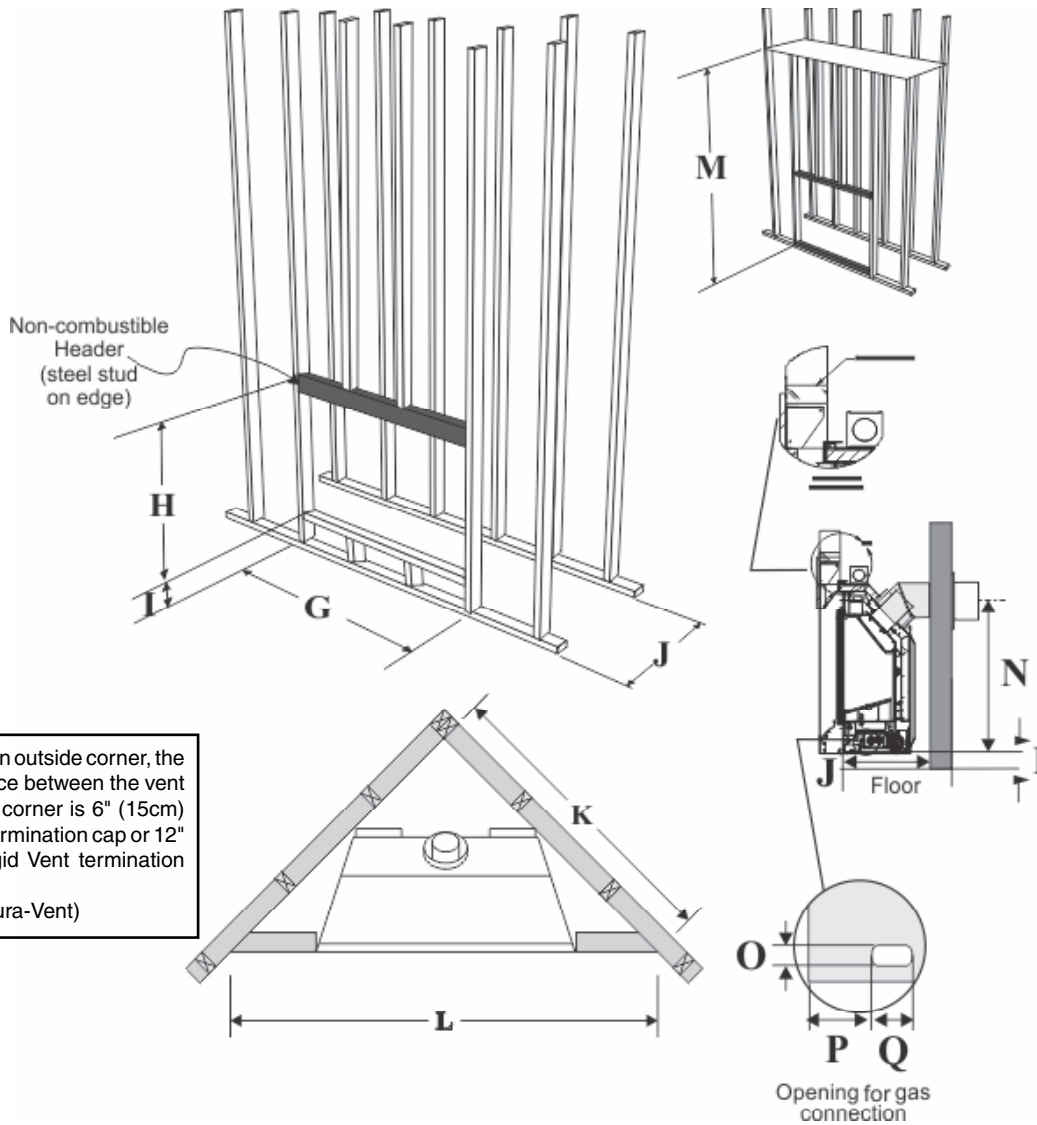
Note: All non-combustible facing material should butt up cleanly to the flanges around the firebox opening.

Rough edges may be visible from an angle.

To maintain a clean finished edge - facing material edges may be finished with a J-style trim or metal cornerbead (both materials available at your local building or hardware store).

IMPORTANT: Materials used must be NON-COMBUSTIBLE.

FRAMING DIMENSIONS



NOTE: If this is an outside corner, the minimum distance between the vent and the outside corner is 6" (15cm) with AstroCap termination cap or 12" (30cm) with Rigid Vent termination cap. (For example Dura-Vent)

Framing Dimensions	Description	HZ33CE	
G	Framing Width	35" (889mm)	
H	Framing Height *	31-3/4" (806mm)	
I	Framing Rise from Floor	0" (when not using a surround) 2" min (when using Mantel) 3-5/16" min (when using 4 sided Faceplate)	
J *	Framing Depth	Vertical	22-3/4" (578mm) <i>Rigid</i>
		Horizontal	19-3/4" (502mm) <i>Rigid</i> / 16" (406mm) <i>Flex</i>
K	Corner Wall Length	38-15/16" (988mm)	
L	Corner Facing Wall Width	55-1/2" (1410mm)	
M	Framed Chase Ceiling*	36" (914mm) <i>Rigid</i>	32" (812mm) <i>Flex</i>
N	Vent Centerline Height*	30" (762mm) <i>Rigid</i>	26" (660mm) <i>Flex</i>
O	Gas Connection Height*	1 1/2" (38mm)	
P	Gas Connection Inset*	7-3/16" (183mm)	
Q	Gas Connection Width*	3" (76mm)	

* Measured from base of unit.

VENTING INTRODUCTION

The HZ33CE uses the "balanced flue" technology Co-Axial system. The inner liner vents products of combustion to the outside while the outer liner draws outside combustion air into the combustion chamber thereby eliminating the need to use heated room air for combustion and losing warm room air up the chimney.

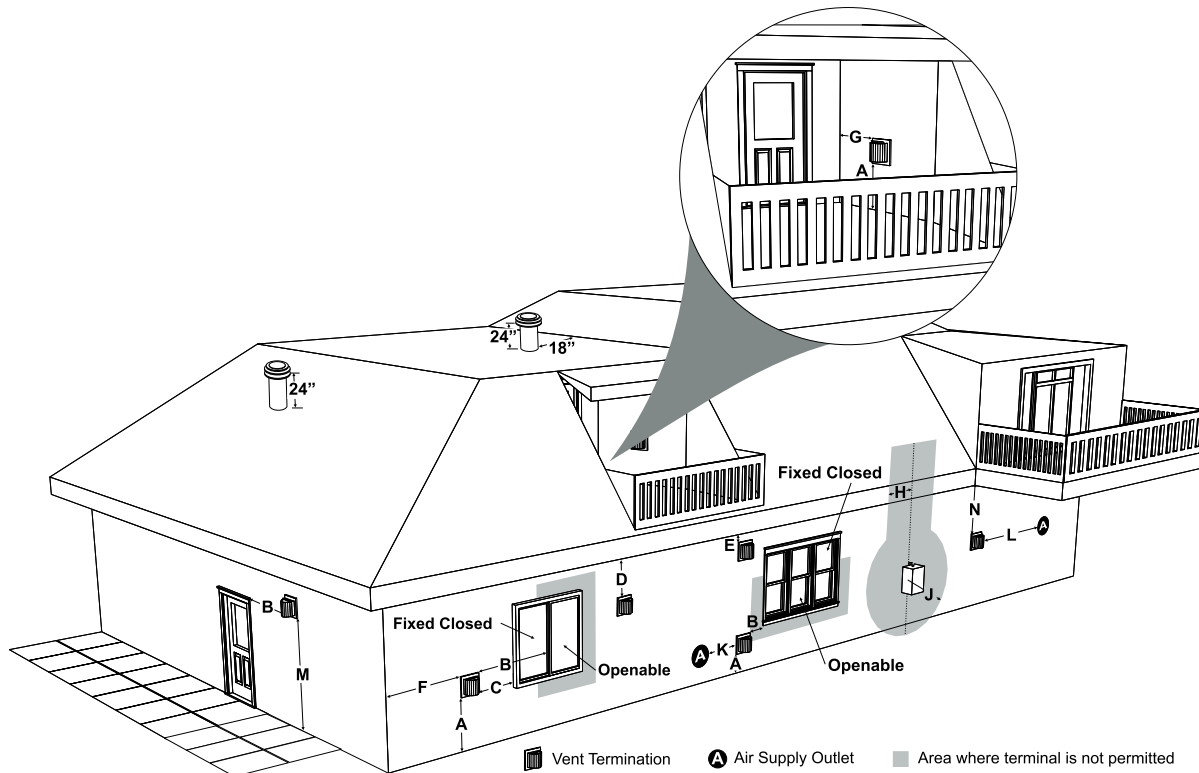
There are 5 vent systems approved for use with the HZ33CE: the Regency® Direct Vent Flex System for Horizontal Terminations only and the Simpson Dura-Vent, Selkirk Direct-Temp, Amerivent Direct Vent and Security Secure Vent Systems for Horizontal and Vertical Terminations (see following "Venting" Sections for more details).

Note: These flue pipes must not be connected to any other appliance.

The gas appliance and vent system must be vented directly to the outside of the building, and never be attached to a chimney serving a separate solid fuel or gas burning appliance. Each direct vent gas appliance must use its own separate vent system. Common vent systems are prohibited. (See "Rigid Pipe Venting System" for more details and exceptions).

NOTE: Ensure compliance with the outside vent terminal location before cutting hole as both dimensions must be met.

EXTERIOR VENT TERMINATION REQUIREMENTS



	Minimum Clearance Requirements	Canada ¹	USA ²
A	Clearance above grade, veranda, porch, deck, or balcony	12"(30cm)	12"(30cm)
B	Clearance to window or door that may be opened	12"(30cm)	9" (23cm)
C	Clearance to permanently closed window	*	*
D	Vertical clearance to ventilated soffit located above the terminal within a horizontal distance of 2 feet (61cm) from the center line of the terminal (check with the local code)	18"(46cm)	18"(46cm)
E	Clearance to unventilated soffit	15"(38cm)	15"(38cm)
F	Clearance to outside corner: with AstroCap Termination Cap.	6"(15cm)	6"(15cm)
	Clearance to outside corner: with all other approved Termination Caps.	12"(30cm)	12"(30cm)
G	Clearance to inside corner: with AstroCap Termination Cap	6"(15cm)	6"(15cm)
	Clearance to inside corner: with all other approved Termination Caps.	12"(30cm)	12"(30cm)
H	Clearance to each side of center line extended above meter/regulator assembly	36"(90cm) ^a	*
J	Clearance to service regulator vent outlet	36"(90cm)	*
K	Clearance to non-mechanical air supply inlet to building or the combustion air inlet to any other appliance	12"(30cm)	9" (23cm)
L	Clearance to a mechanical air supply inlet #3' (91cm) above if within 10' (3m) horizontally.	72"(1.8m)	36"(90cm) ^b
M	Clearance above paved sidewalk or a paved driveway located on public property	84"(2.1m) [†]	*
N	Clearance under veranda, porch, deck, or balcony	12"(30cm) [‡]	*

¹ In accordance with current CSA B149.1, *Natural Gas and Propane Installation Code*

² In accordance with the current ANSI Z223.1/NFPA 54, *National Fuel Gas Code*

[†] A vent shall not terminate directly above a sidewalk or paved driveway which is located between two single family dwellings and serves both dwellings

[‡] Permitted only if veranda, porch, deck, or balcony is fully open on a minimum of two sides beneath the floor

* Clearance in accordance with local installation codes and the requirements of the gas supplier

^a 3 feet (91cm) within a height of 15 feet (4.5m) above the meter / regulator assembly

^b 3 feet (91cm) above - if within 10 feet (3m) horizontally

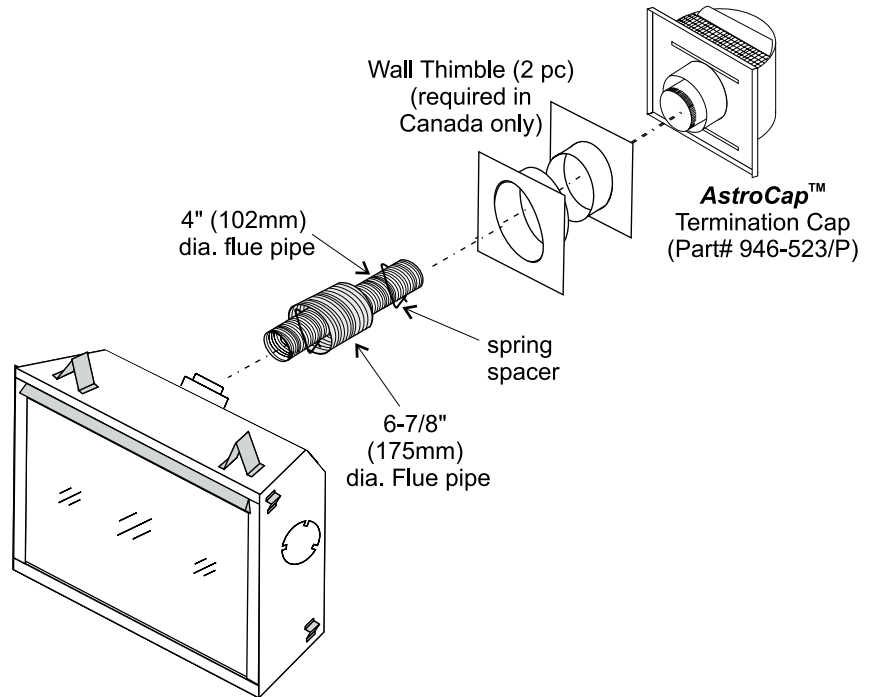
INSTALLATION

REGENCY® DIRECT VENT FLEX SYSTEM Horizontal Terminations Only

This venting system, in combination with the HZ33CE-4 Direct Vent Gas Fireplace, have been tested and listed as a direct vent heater system by Warnock Hersey. The location of the termination cap must conform to the requirements in the "Exterior Vent Terminal Locations" Section .

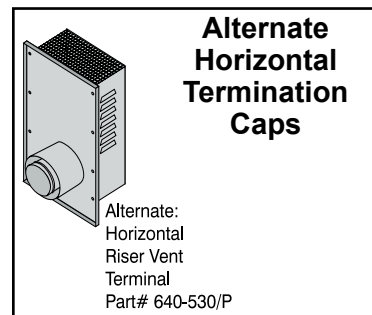
Regency® Direct Vent Flex Termination Kit (Part # 946-513. includes all the parts needed to install the HZ33CE with a maximum run of 2 feet. If installing the HZ33CE-4 with a **continuous** vent length of more than 2 ft (.6m) to a maximum of 10 ft. (3.0m) use Kit # 946-515 (4 ft) or 946-516 (10 ft) or see "Rigid Pipe Venting Systems" Section for alternate venting arrangements.

AstroCap Flex Kits	
1	6-7/8" dia. flexible liner (kit length)
2	4" dia. flexible liner (kit length)
3	spring spacers (3.
4	thimble (2.
5	AstroCap termination cap (1.
6	screws (12.
7	tube of Mill Pac (1.
8	plated screws (8.
9	screws #8 x 1-1/2" drill point, stainless steel (4.

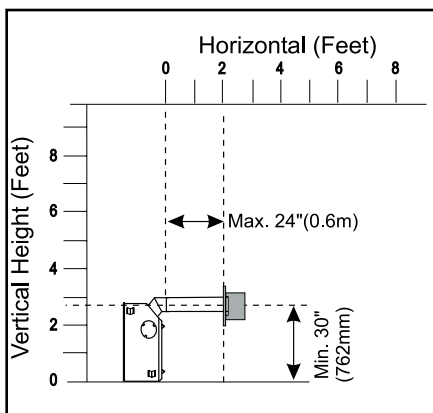


Notes:

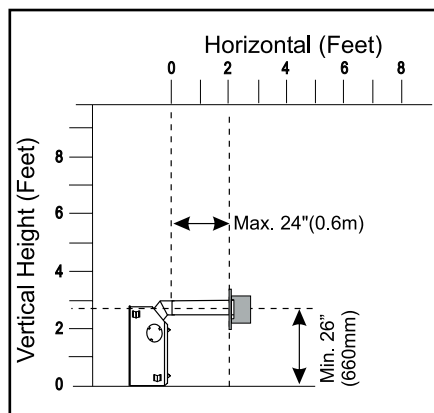
1. Liner sections should be continuous without any joints or seams.
2. Only Flex pipe purchased from Regency® may be used for Flex installations.



MINIMUM
RIGID PIPE CENTER-LINE



MINIMUM
FLEX KIT CENTER-LINE



Wherever necessary due to external location of cap, the AstroCap can be replaced with the FPI Riser Vent Termination Cap.

Note: - Unit must be raised by 1".

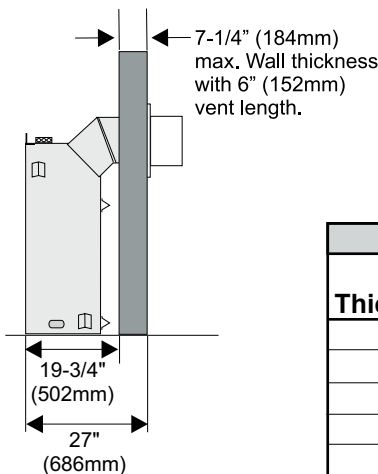
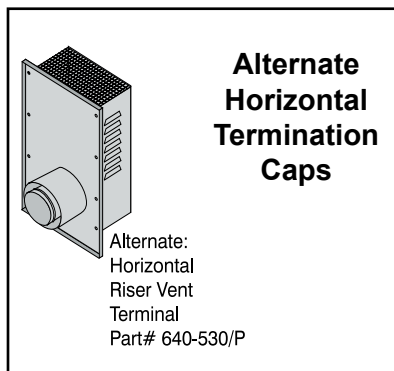
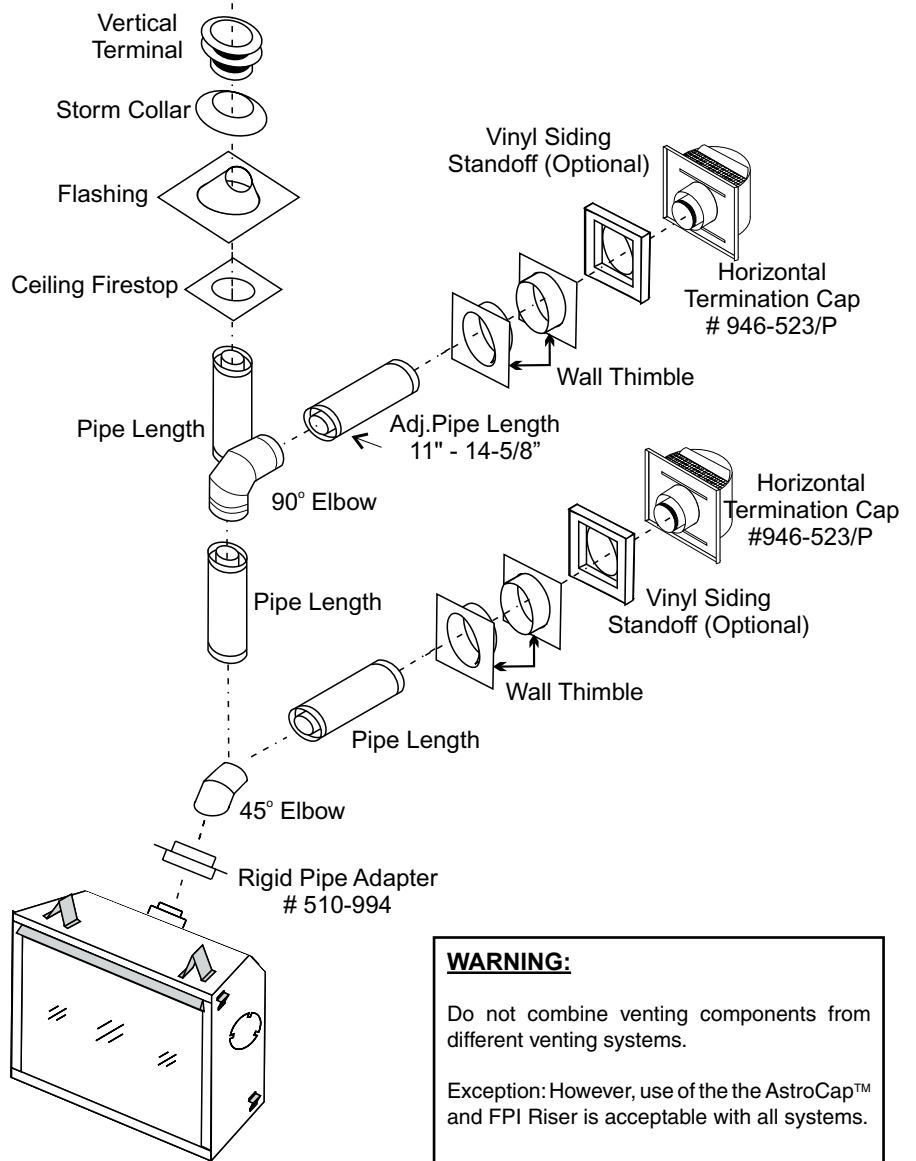
RIGID PIPE VENTING SYSTEMS *Horizontal or Vertical Terminations*

The minimum components required for a basic horizontal termination are:

- 1 **AstroCap** Horizontal Termination Cap
- 1 45° Elbow
- 1 Rigid Pipe Adaptor
- 1 Wall Thimble
- 1 Length of pipe to suit wall thickness (see chart)

For siding other than vinyl, furring strips may be used, instead of the vinyl siding standoff, to create a level surface to mount the vent terminal. The Terminal must not be recessed into siding.

If a Vinyl Siding Standoff is required (it must be used with vinyl siding), measure to outside surface of wall without siding and add 2 inches.



Flat Wall Installation	
Max. Wall Thickness (inches)	Vent Length Required (inches)
7 - 1/4"	6"
10 - 1/4"	9"
13 - 1/4"	12"
8 - 1/4"	3" to 7" Slip
13 - 1/4"	3" to 14-1/2" Slip

WARNING:

Do not combine venting components from different venting systems.

Exception: However, use of the the AstroCap™ and FPI Riser is acceptable with all systems.

This product has been evaluated by Intertek for using a Rigid Pipe Adaptor in conjunction with Duravent Direct-Vent, Selkirk Direct-Temp, Ameri Vent Direct venting and Security Secure Vent systems. Use of these systems with the Rigid Pipe adaptor is deemed acceptable and does not affect the Intertek WHI listing of components.

When using Rigid Vent other than Simpson Dura-Vent, 3 screws must be used to secure rigid pipe to adaptor.

The FPI AstroCap™ and FPI Riser Vent terminal are certified for installations using FPI venting systems as well as Simpson Dura-Vent® Direct Vent, American Metal Products Ameri Vent Direct Vent, Security Secure Vent®, Selkirk Direct-Temp. AstroCap™ is a proprietary trademark of FPI Fireplace Products International Ltd. Dura-Vent® and Direct Vent are registered and/or proprietary trademarks of Simpson Dura-Vent Co. Inc.

4" X 6-5/8" RIGID PIPE CROSS REFERENCE CHART

Components from different Manufacturers may not be mixed. Not all Rigid Pipe components are available directly from FPI.

Description	Simpson Direct Vent Pro®	Selkirk Direct Temp™	American Metal Products® Amerivent Direct	Metal-Fab™ Sure Seal	Security Secure-Vent®	ICC Excel Direct
6" Pipe Length-Galvanized	46DVA-06	4DT-6	N/A	4D6	SV4L6	TC-4DL6
6" Pipe Length-Black	46DVA-06B	4DT-6B	N/A	4D6B	SV4LB6	TC-4DL6B
7" Pipe Length-Galvanized	N/A	N/A	4D7	N/A	N/A	N/A
7" Pipe Length-Black	N/A	N/A	4D7B	N/A	N/A	N/A
9" Pipe Length-Galvanized	46DVA-09	4DT-9	N/A	N/A	N/A	N/A
9" Pipe Length-Black	46DVA-09B	4DT-9B	N/A	N/A	N/A	N/A
12" Pipe Length-Galvanized	46DVA-12	4DT-12	4D12	4D12	SV4L12	TC-4DL1
12" Pipe Length-Black	46DVA-12B	4DT-12B	4D12B	4D12B	SV4LB12	TC-4DL1B
18" Pipe Length-Galvanized	46DVA-18	4DT-18	4D18	4D18	SV4LA	TC-4DL18
18" Pipe Length-Black	46DVA-18B	4DT-18B	4D18B	4D18B	SV4LA	TC-4DL18B
24" Pipe Length-Galvanized	46DVA-24	4DT-24	4D24	4D24	SV4L24	TC-4DL2
24" Pipe Length-Black	46DVA-24B	4DT-24B	4D24B	4D24B	SV4LB24	TC-4DL2B
36" Pipe Length-Galvanized	46DVA-36	4DT-36	4D36	4D36	SV4L36	TC-4DL3
36" Pipe Length-Black	46DVA-36B	4DT-36B	4D36B	4D36B	SV4LB36	TC-4DL3B
48" Pipe Length-Galvanized	46DVA-48	4DT-48	4D48	4D48	SV4L48	TC-4DL4
48" Pipe Length-Black	46DVA-48B	4DT-48B	4D48B	4D48B	SV4LB48	TC-4DL4B
60" Pipe Length-Galvanized	46DVA-60	4DT-60	N/A	N/A	N/A	N/A
60" Pipe Length-Black	46DVA-60B	4DT-60B	N/A	N/A	N/A	N/A

Adjustable Length 3"-10"-Galvanized	N/A	N/A	N/A	4DAL	N/A	TC-4DLT
Adjustable Length 3"-10"-Black	N/A	N/A	N/A	4DALB	N/A	TC-4DLTB
Adjustable Length 7"-Galvanized	N/A	N/A	4D7A	N/A	N/A	N/A
Adjustable Length 7"-Black	N/A	N/A	4D7AB	N/A	N/A	N/A
Extension Pipe 8-1/2"-Galvanized	46DVA-08A	N/A	N/A	N/A	N/A	N/A
Extension Pipe 8-1/2"-Black	46DVA-08AB	N/A	N/A	N/A	N/A	N/A
Adjustable Length 12"-Galvanized	N/A	N/A	4D12A	N/A	SV4LA12	N/A
Adjustable Length 12"-Black	N/A	N/A	4D12A	N/A	SV4LBA12	N/A
Extension Pipe 16"-Galvanized	46DVA-16A	N/A	N/A	N/A	N/A	N/A
Extension Pipe 16"-Black	46DVA-16AB	N/A	N/A	N/A	N/A	N/A

45° Elbow-Galvanized	46DVA-E45	4DT-EL45	4D45L	N/A	N/A	TE-4DE45
45° Elbow-Black	46DVA-E45B	4DT-EL45B	4DT-EL45B	N/A	N/A	TE-4DE45B
45° Elbow Swivel-Galvanized	See 46DVA-E45	N/A	N/A	4D45L	SV4E45	N/A
45° Elbow Swivel-Black	See 46DVA-E45B	N/A	N/A	4D45LB	SV4EB45	N/A
90° Elbow-Galvanized	46DVA-E90	4DT-EL90S	4DT-EL90S	N/A	N/A	TE-4DE90
90° Elbow-Black	46DVA-E90B	4DT-EL90SB	4DT-EL90SB	N/A	SV4EBR90-1	TE-4DE90B
90° Elbow, Swivel-Galvanized	See 46DVA-E90	N/A	N/A	4D90L	SV4E90-1	N/A
90° Elbow, Swivel-Black	See 46DVA-E90B	N/A	N/A	4D90LB	SV4EB90-1	N/A
90° Starter Elbow, Swivel-Galvanized	N/A	N/A	N/A	4D90A	N/A	N/A
Adaptor*	N/A	N/A	N/A	4D90L	N/A	N/A

Ceiling Support	N/A	4DT-CS	4DFSP	4DSP	SV4SD	TE-4DE45
Cathedral Support Box	46DVA-CS	4DT-CSS	4DRSB	4DRS	SV4CSB	TE-4DE45B
Wall Support/Band	46DVA-WS	4DT-WS/B	4DWS	4DWS	SV4BM	N/A
Offset Support	46DVA-ES (N/A - FPI)	4DT-OS	N/A	N/A	SV4SU	N/A
Wall Thimble-Black	46DVA-WT	4DT-WT	4DWT	4DWT	SV4RSM	TE-4DE90
Wall Thimble Support/Ceiling Support	46DVA-DC	N/A	N/A	N/A	SV4PF	TE-4DE90B
Firestop Spacer	46DVA-FS	4DT-FS	4DFSP	4DFS	SV4BF	N/A
Trim Plate-Black	N/A	4DT-TP	4DFPB	4DCP	SV4LA	N/A

Description	Simpson Direct Vent Pro®	Selkirk Direct Temp™	American Metal Products® Amerivent Direct	Metal-Fab™ Sure Seal	Security Secure-Vent®	ICC Excel Direct
Attic Insulation Shield 12"	46DVA-IS N/A@ FPI	N/A	4DAIS12	N/A	SV4RSA	N/A
Attic Insulation Shield - Cold Climates 36"	N/A	N/A	4DAIS12	N/A	N/A	TM-4AS

Basic Horizontal Termination Kit (A)	Disc.	4DT-HKA	4DHTK2	4DHTKA	SV-SHK	N/A
Horizontal Termination Kit (B)	46DVA-KHA (Changed Components)	4DT-HKB	4DHTK1	4DHTKB	SV-HK	N/A
Vertical Termination Kit	Disc.	4DT-VKC	4DHTK	4DHTK	SV-FK	N/A

High Wind Vertical Cap	46DVA-VCH	N/A	N/A	N/A	N/A	TM-4VT
High Wind Horizontal Cap	46DVA-HC	N/A	N/A	N/A	N/A	TM-4DHT
Horizontal Square Termination Cap	See 46DVA-HC	4DT-HHC	4DHC	4DHT	SV4CHC-1	TM-4HT
Vertical Termination Cap	46DVA-VC	4DT-HVC	4DVC	4DVT	SV4CGV-1	TM-4VT
Storm Collar	46DVA-08A	4DT-SC	4DSC	4DSC	SV4FC	TM-SC

Adjustable Flashing 0/12-6/12	46DVA-F6	4DT-ST14	4D12S	4DST14	SV4STC14	TF-4FA
Adjustable Flashing 6/12-12/12	46DVA-FLA	4DT-ST36	4D36S	4DST36	SV4STC36	TF-4FB

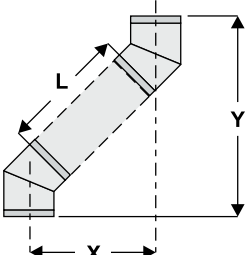
Vinyl Siding Standoff	46DVA-VSS	4DT-VS	N/A	4DVS	SV4VS	TM-VSS
Vinyl Siding Shield Plate	N/A	4DT-VSP	N/A	N/A	SV4VS	N/A

Snorkel Termination 14"	46DVA-SNKL	N/A	N/A	N/A	N/A	TM-4ST14
Snorkel Termination 36"	N/A	N/A	N/A	N/A	N/A	TM-4ST36

Restrictor Disk	N/A	N/A	N/A	N/A	N/A	TM-4DS
Extended Vertical Termination Cap	N/A	N/A	N/A	N/A	N/A	N/A
Chimney Conversion Kit A (USA only)	46DVA-KCA	N/A	N/A	N/A	N/A	TM-4CA6
Chimney Conversion Kit B (USA only)	46DVA-KCB	N/A	N/A </td <td>N/A</td> <td>N/A</td> <td>TM-4CA7</td>	N/A	N/A	TM-4CA7
Chimney Conversion Kit C (USA only)	46DVA-KCC	N/A	N/A	N/A	N/A	TM-4CA8
Chimney Conversion Kit Masonry (USA only)	46DVA-KMC	N/A	N/A	N/A	N/A	N/A
Wall Firestop	46DVA-WFS	N/A	N/A	N/A	N/A	TM-4TR
Colinear Flex Connectors	46DVA-ADF	N/A	N/A	N/A	N/A	N/A

FPI			
946-506/P	Vent Guard (Optional) for AstroCap	946-205	Vinyl Siding Shield for Riser Vent Terminal
510-994	Rigid Pipe Adaptor (Must use with all rigid piping)	946-208/P	Vent Guard (Optional) for Riser Vent Terminal
640-530/P	Riser Vent Terminal	946-523/P	AstroCap Horizontal Cap
946-605	Starter Collar Increaser 4" x 6-5/8" to 5" x 8"	946-206	Vinyl Siding Standoff for AstroCap

Note: When using Metal-Fab Sure Seal Rigid Piping - please note that the Adaptor (4DDA) must be used in conjunction with FPI Rigid Pipe Adaptor (510-994).

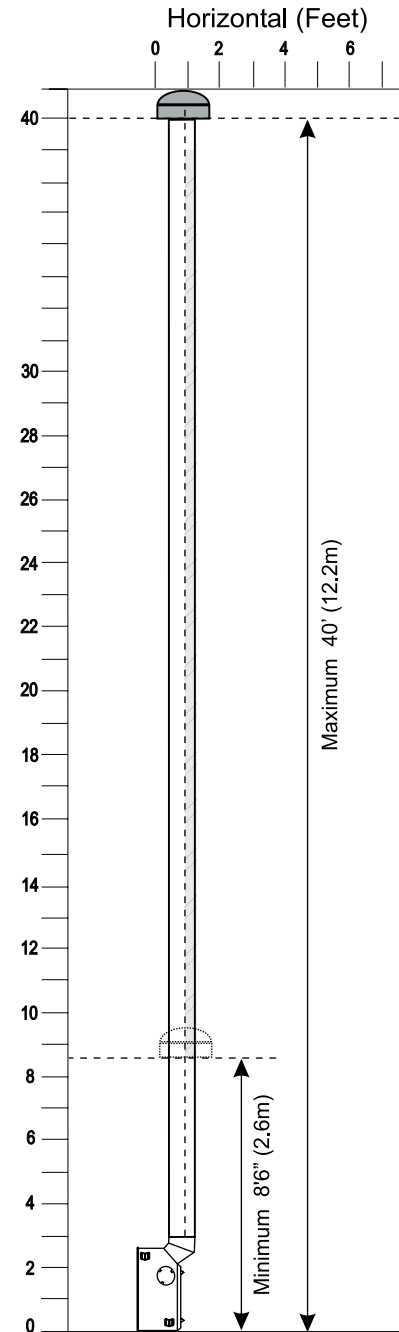
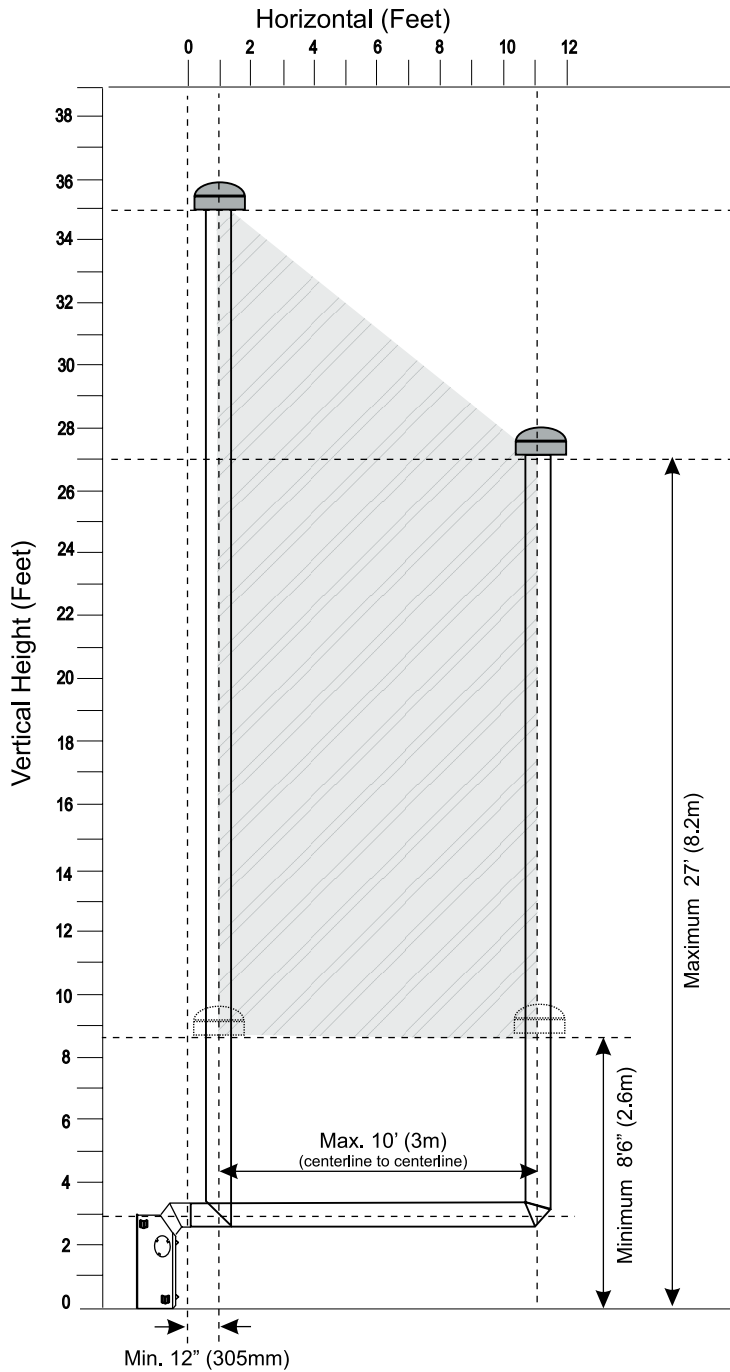
Offset Pipe Selection: Use this table to determine offset pipe lengths.				
Pipe Length (L)	4" x 6-5/8" Venting			For specific instructions on venting components - visit the manufacturers website listed below. Simpson Direct Vent Pro: www.duravent.com Selkirk Direct-Temp: www.selkirkcorp.com American Metal Products: www.americanmetalproducts.com Metal-Fab Sure Seal: www.mtlfab.com Security Secure Vent: www.securitychimneys.com Industrial Chimney Company: www.icc-rsf.com
	Run (X)	Rise (Y)		
0" (0mm)	4-7/8" (124mm)	13-7/8" (340mm)		
6" (152mm)	8" (203mm)	16-1/2" (419mm)		
9" (229mm)	10-1/8" (257mm)	18-5/8" (473mm)		
12" (305mm)	12-1/4" (311mm)	20-3/4" (527mm)		
24" (610mm)	20-5/8" (524mm)	29-1/8" (740mm)		
36" (914mm)	29" (737mm)	37-1/2" (953mm)		
48" (1219mm)	37-7/16" (951mm)	45-15/16" (1167mm)		

Note: Horizontal runs of vent must be level, or have a 1/4" rise for every 1 foot of run towards the termination. Never allow the vent to run downward - this could cause high temperatures and may present a possible fire hazard.

RIGID PIPE VENTING ARRANGEMENTS

Vertical Terminations (Propane & Natural Gas)

The shaded area in the diagram shows all allowable combinations of straight vertical and offset to vertical terminations, using one 90° elbow, with rigid pipe vent systems for Propane and Natural Gas.



- Unit must be raised 1".
- Firestops are required at each floor level and whenever passing through a wall.
- Maintain clearances to combustibles.
- Vent must be supported at offsets.

Note: Must use optional rigid pipe adapter when using rigid vent systems (Part # 510-994..

VERTICAL TERMINATION WITH CO-LINEAR FLEX SYSTEM

THE APPLIANCE MUST NOT BE CONNECTED TO A CHIMNEY FLUE SERVING A SEPARATE SOLID FUEL BURNING APPLIANCE.

Masonry chimneys may take various contours which the flexible liner will accommodate. However, **keep the flexible liner as straight as possible**, avoid unnecessary bending.

The Air Intake pipe must be attached to the inlet air collar of the termination cap.

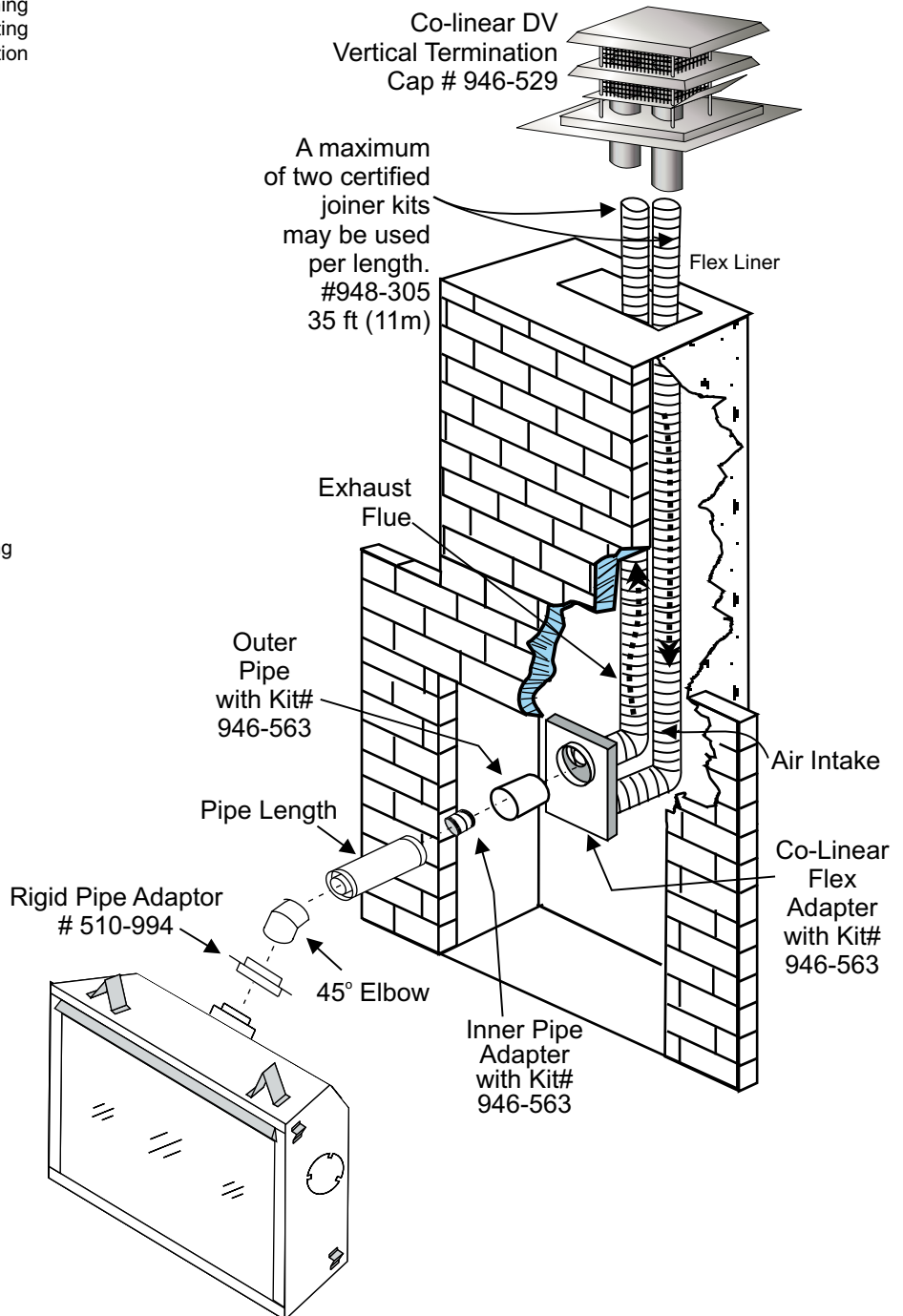
This appliance is designed to be attached to two 3" (76mm) co-linear aluminium flex running the full length of the chimney. See the "Venting Arrangements - Vertical Terminations" Section for minimum and maximum heights.

Required Parts:

Part #	Description
946-529	Co-linear DV Vertical Termination Cap
948-305	3" Flex - 35 ft.
946-563	Co-Axial to Co-Linear Adapter Kit which contains the following: Co-linear Flex Adapter Outer Pipe Inner Pipe Adapter
510-994	Rigid Pipe Adaptor
46DVA-E45	45° Elbow

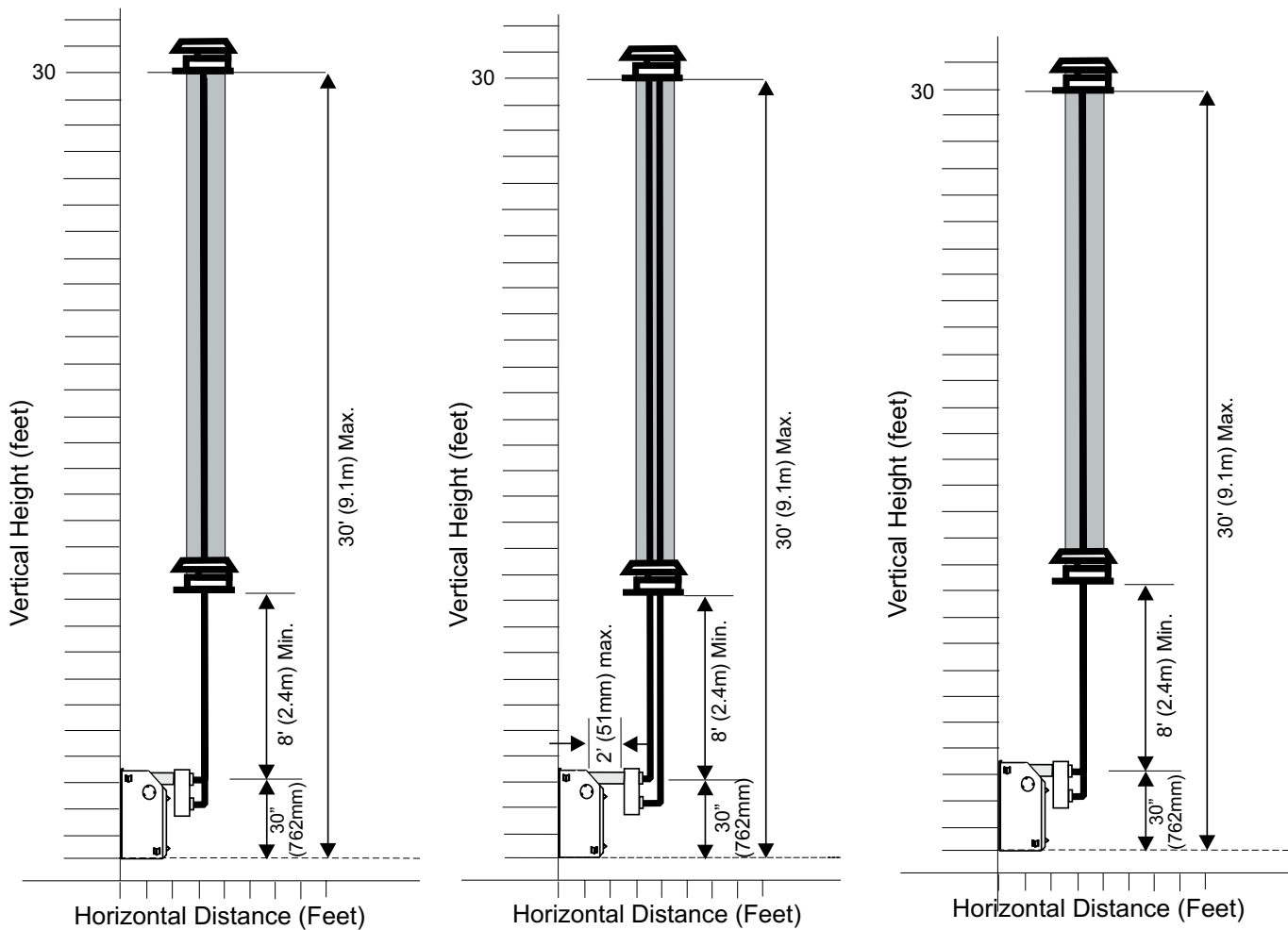
Alternate Approved Caps

46DVA-VC	Vertical Termination Cap
46DVA-VCH	High Wind Cap
46DVAGK	3" Co-linear Adapter with flashing



VENTING ARRANGEMENTS - VERTICAL TERMINATIONS

with Co-linear Flex System for both
Residential & Manufactured Homes
into Masonry Fireplaces



The shaded area in the diagrams show the allowable vertical terminations.

RIGID PIPE VENTING ARRANGEMENTS

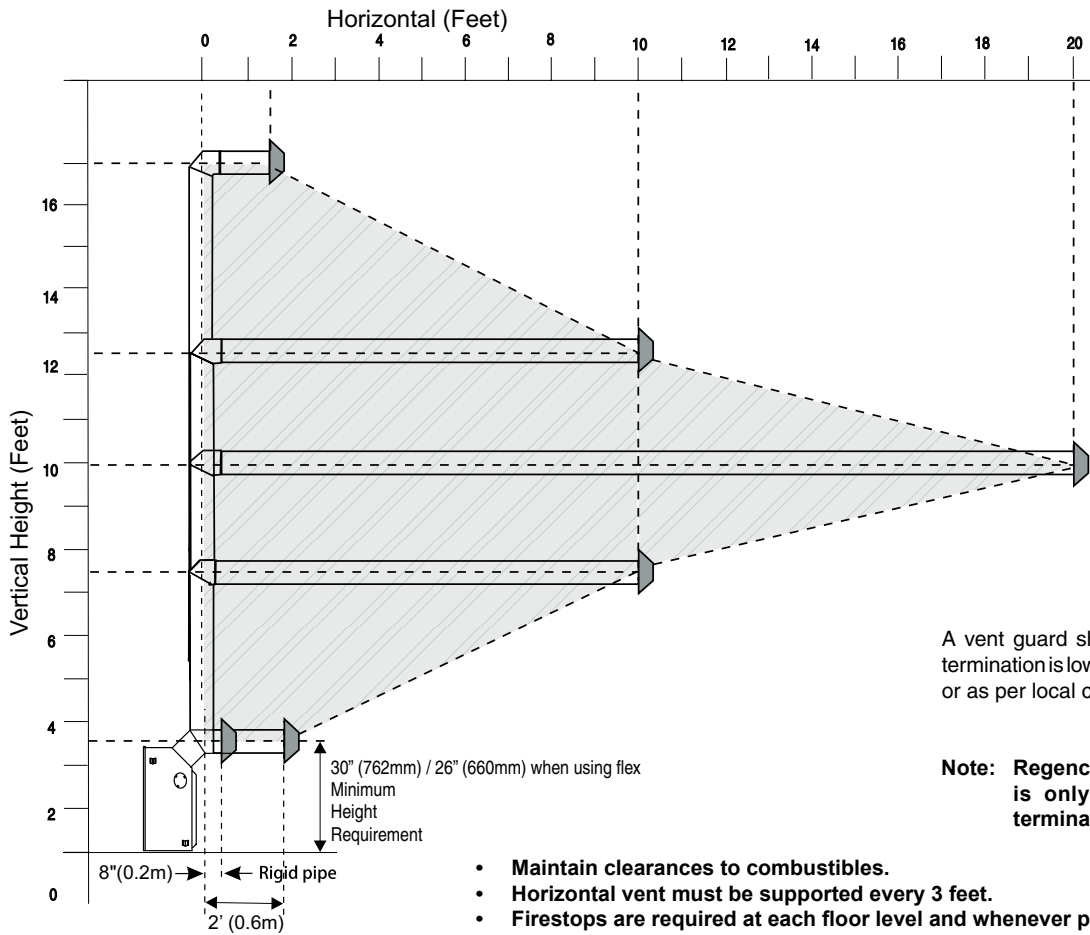
Horizontal Terminations

REGENCY® DIRECT VENT SYSTEM (FLEX)

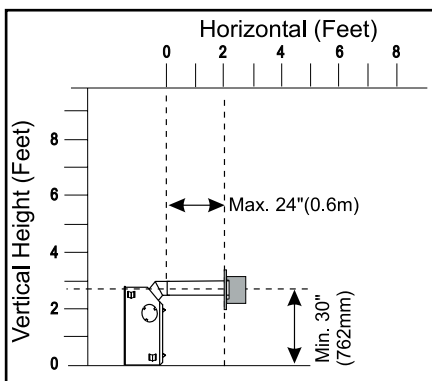
(Propane & Natural Gas)

This diagram shows all allowable combinations of vertical runs with horizontal terminations, using one 45° and one 90° elbow (two 45° elbows equal one 90° elbow).

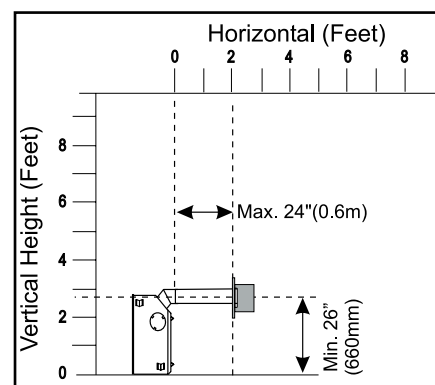
Note: Must use optional rigid pipe adaptor (Part # 510-994, when using rigid pipe vent systems. (Refer "Rigid Pipe Venting Systems" Section)



Minimum Simpson Dura-Vent Center-Line



Minimum Flex Kit Center-Line



INSTALLATION

Horizontal Venting with Two (2. 90° Elbows)

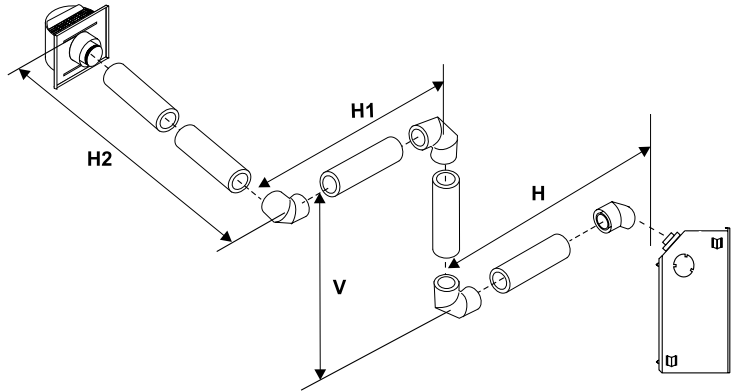
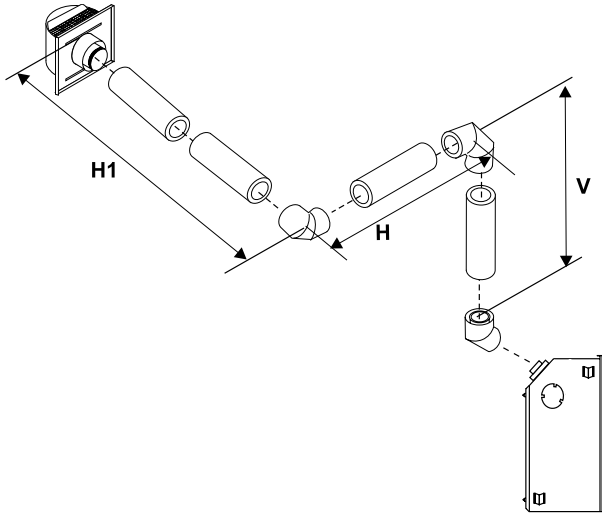
One 90° elbow = Two 45° elbows.

Option	V	H + H1	With these options, maximum total pipe length is 30 feet with minimum of 6 feet total vertical and maximum 8 feet total horizontal. <i>Please note minimum 1 foot between 90° elbows is required.</i>
A)	1' Min.	3' Max.	
B)	2' Min.	4' Max.	
C)	3' Min.	5' Max.	
D)	4' Min.	6' Max.	
E)	5' Min.	7' Max.	
F)	6' Min.	8' Max.	

Horizontal Venting with Three (3. 90° Elbows)

One 90° elbow = Two 45° elbows.

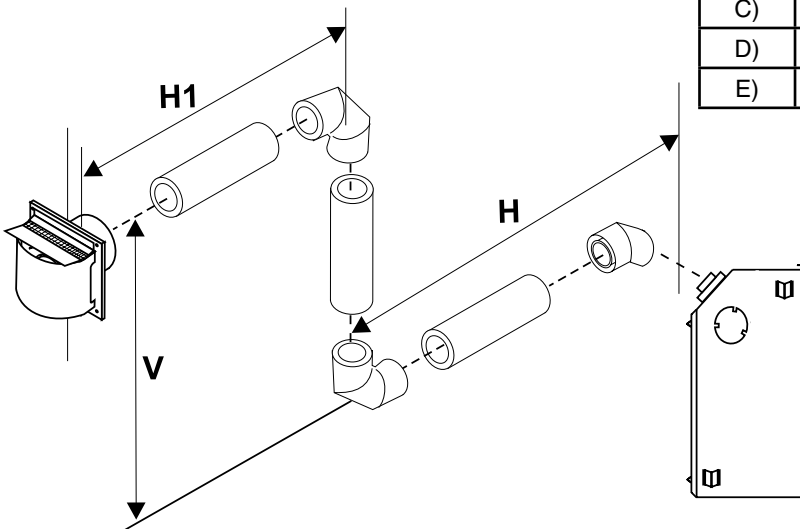
Option	H	V	H+H1+H2	With these options, maximum total pipe length is 30 feet with minimum of 11 feet total vertical and maximum 9 feet total horizontal. <i>Please note minimum 1 foot between 90° elbows is required.</i>
A)	1' Max.	1' Min.	3' Max.	
B)	2' Max.	3' Min.	5' Max.	
C)	3' Max.	5' Min.	6' Max.	
D)	4' Max.	7' Min.	7' Max.	
E)	5' Max.	9' Min.	8' Max.	
F)	6' Max.	11' Min.	9' Max.	



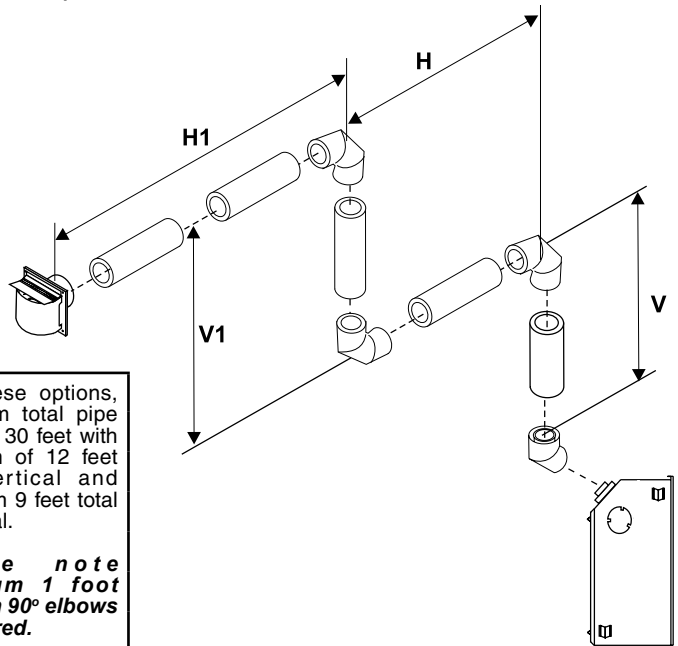
Horizontal Venting with Two (2. 90° Elbows)

One 90° elbow = Two 45° elbows.

Option	H	V	H+H1	With these options, maximum total pipe length is 30 feet with minimum of 8 feet total vertical and maximum 8 feet total horizontal. <i>Please note minimum 1 foot between 90° elbows is required.</i>
A)	1' Max.	1' Min.	3' Max.	
B)	2' Max.	2' Min.	5' Max.	
C)	3' Max.	4' Min.	6' Max.	
D)	4' Max.	6' Min.	7' Max.	
E)	5' Max.	8' Min.	8' Max.	



Horizontal Venting with Three (3) 90° Elbows



One 90° elbow = Two 45° elbows.

Option	V	H	V+V1	H+H1	With these options, maximum total pipe length is 30 feet with minimum of 12 feet total vertical and maximum 9 feet total horizontal. <i>Please note minimum 1 foot between 90° elbows is required.</i>
A)	2' Min.	1' Max.	3' Min.	4' Max.	
B)	3' Min.	2' Max.	4' Min.	5' Max.	
C)	4' Min.	3' Max.	6' Min.	6' Max.	
D)	5' Min.	4' Max.	8' Min.	7' Max.	
E)	6' Min.	5' Max.	10' Min.	8' Max.	
F)	7' Min.	6' Max.	12' Min.	9' Max.	

Vertical Venting with Two (2) 90° Elbows

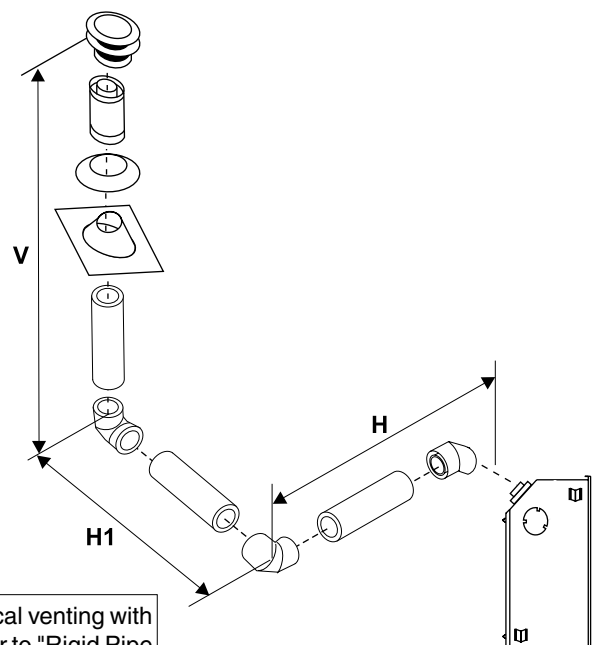
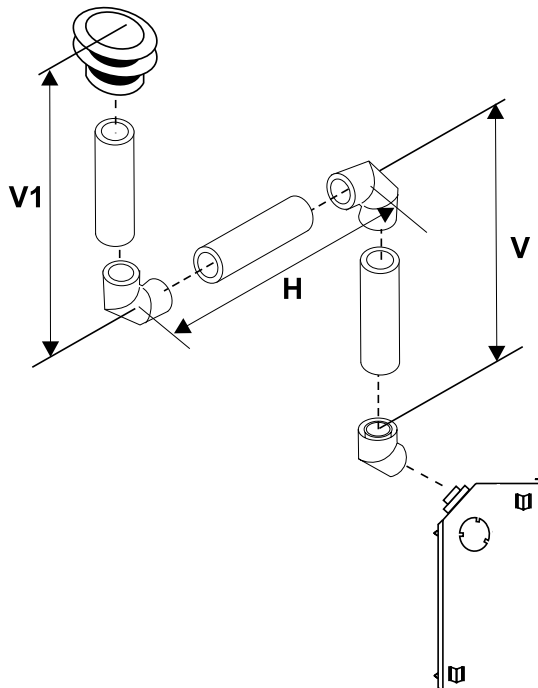
One 90° elbow = Two 45° elbows.

Option	V	H	V+V1	With these options, maximum total pipe length is 30 feet with minimum of 6 feet total vertical and maximum 8 feet total horizontal. <i>Please note minimum 1 foot between 90° elbows is required.</i>
A)	1' Min.	4' Max.	2' Min.	
B)	2' Min.	5' Max.	3' Min.	
C)	3' Min.	6' Max.	4' Min.	
D)	4' Min.	7' Max.	5' Min.	
E)	5' Min.	8' Max.	6' Min.	

Vertical Venting with Two (2) 90° Elbows

One 90° elbow = Two 45° elbows.

Option	H + H1	V	With these options, maximum total pipe length is 30 feet with minimum of 6 feet total vertical and maximum 6 feet total horizontal. <i>Please note minimum 1 foot between 90° elbows is required.</i>
A)	2' Max.	2' Min.	
B)	3' Max.	3' Min.	
C)	4' Max.	4' Min.	
D)	5' Max.	5' Min.	
E)	6' Max.	6' Min.	



For additional vertical venting with 2 x 90° elbows, refer to "Rigid Pipe Venting Arrangements" Section.

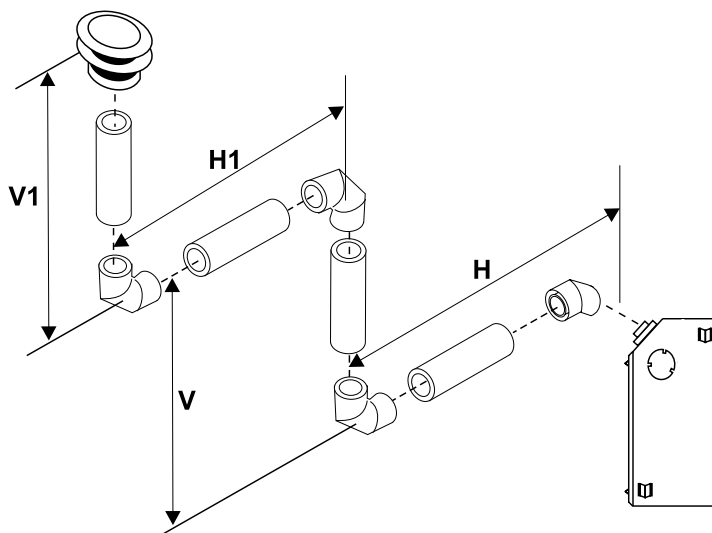
INSTALLATION

Vertical Venting with Three (3. 90° Elbows)

One 90° elbow = Two 45° elbows.

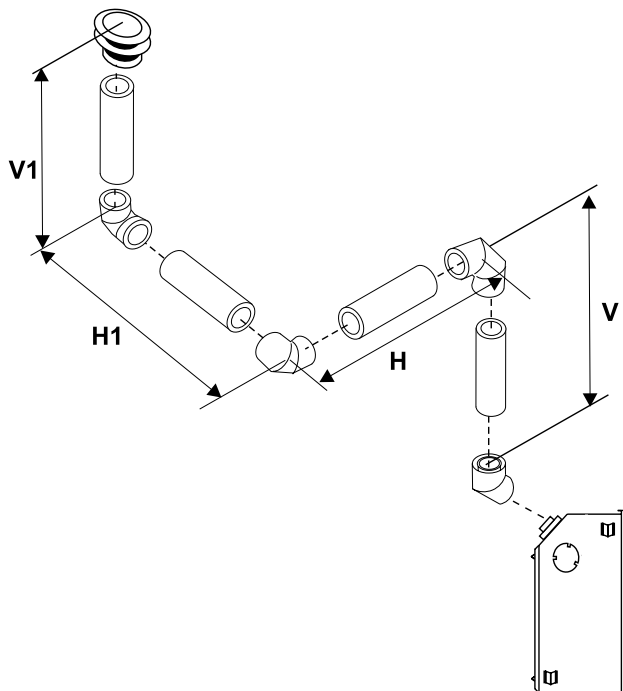
Option	H	V	H + H1	V + V1
A)	1' Max.	1' Min.	3' Max.	3' Min.
B)	2' Max.	2' Min.	4' Max.	5' Min.
C)	3' Max.	3' Min.	5' Max.	7' Min.
D)	4' Max.	4' Min.	6' Max.	9' Min.
E)	5' Max.	5' Min.	7' Max.	11' Min.

With these options, max. total pipe length is 30 feet with min. of 11 feet total vertical and max. 7 feet total horizontal.
Please note min. 1 foot between 90° elbows is required.



Vertical Venting with Three (3. 90° Elbows)

One 90° elbow = Two 45° elbows.



Option	V	H + H1	V + V1
A)	2' Min.	3' Max.	4' Min.
B)	3' Min.	4' Max.	6' Min.
C)	4' Min.	5' Max.	7' Min.
D)	5' Min.	6' Max.	8' Min.
E)	6' Min.	7' Max.	9' Min.
F)	7' Min.	8' Max.	10' Min.

With these options, max. total pipe length is 30 feet with min. of 10 feet total vertical and max. 8 feet total horizontal.
Please note min. 1 foot between 90° elbows is required.

UNIT INSTALLATION WITH HORIZONTAL TERMINATION

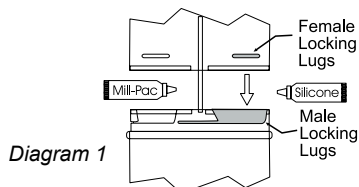
Install the vent system according to the manufacturer's instructions included with the components.

1. Set the unit in its desired location. Check to determine if wall studs or roof rafters are in the way when the venting system is attached. If this is the case, you may want to adjust the location of the unit. Rough in the gas preferably on the right side of the unit and the electrical (junction block is on the left side) on the left.
2. Direct Vent pipe and fittings are designed with special twist-lock connections to connect the venting system to the appliance flue outlet. A twist-lock appliance adaptor is an available option that must be used in conjunction with the Simpson Dura-Vent Direct Vent system.
3. Put a bead of silicone inside the outer section of the adapter and a bead of Fireplace Mate on the inner collar. Slip the adapter over the existing inner and outer flue collar and fasten to the outer collar only with the 3 supplied screws (drilling pilot holes will make this easier). Level the fireplace and fasten it to the framing using nails or screws through the nailing strips.
4. Assemble the desired combination of pipe and elbows to the appliance adaptor and twist-lock for a solid connection.

Note:

- a) Twist-lock procedure: Four indentations, located on the female ends of pipes and fittings, are designed to slide straight onto the male ends of adjacent pipes and fittings, by orienting the four pipe indentations so they match and slide in to the four entry slots on the male ends, Dia. 1. Push the pipe sections completely together, then twist-lock one section clockwise approximately one-quarter turn, until the two sections are fully locked. The female locking lugs will not be visible from the outside, on the Black Pipe or fittings. They may be located by examining the inside of the female ends.

NOTE: For best results and optimum



performance with each approved venting system, it is highly recommended to apply "Mill-Pac" sealant (supplied) to every inner pipe connection. Failure to do so may result in drafting or performance issues not covered under warranty. Silicone (red RTV) is optional.

- b) Horizontal runs of vent must be

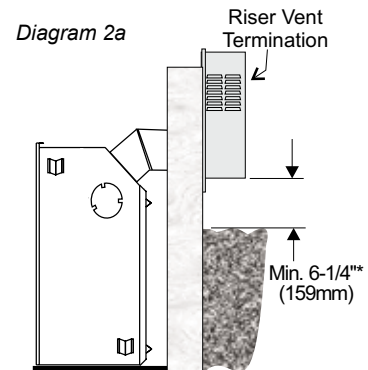
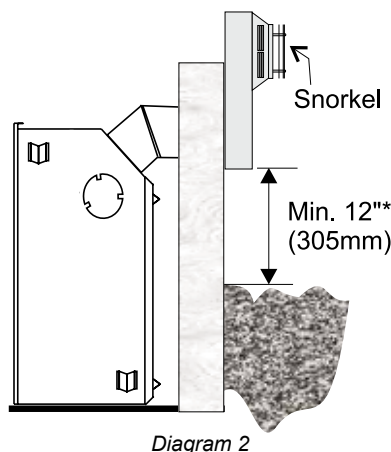
supported every three feet. Wall straps are available for this purpose.

5. Mark the wall for a 10" x 10" square hole. The center of the square hole should line up with the centerline of the horizontal pipe. Cut and frame the 10 inch square hole in the exterior wall where the vent will be terminated. If the wall being penetrated is constructed of non-combustible material, i.e. masonry block or concrete, a 7" (178mm) diameter (7-1/2" (191mm) dia. for flex) hole is acceptable.

Note:

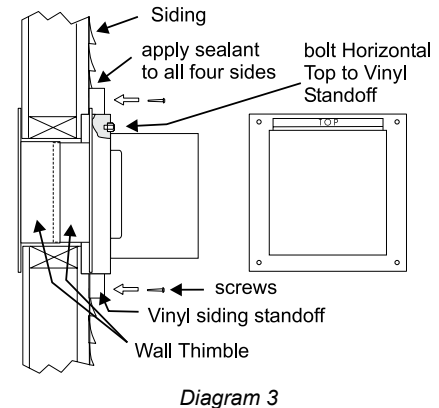
- a) The horizontal run of vent must be level, or have a 1/4 inch rise for every 1 foot of run towards the termination. Never allow the vent to run downward. This could cause high temperatures and may present the possibility of a fire.
- b) The location of the horizontal vent termination on an exterior wall must meet all local and national building codes, and must not be blocked or obstructed. See "Exterior Vent Terminal Locations" Section.
- c) **Snorkel Terminations:**
For installations requiring a vertical rise on the exterior of the building, 14-inch and 36-inch tall Snorkel Terminations and the Riser Vent as shown in Dia. 2 & 2a are available. Follow the same installation procedures as used for standard Horizontal Termination. NEVER install the snorkel upside down.

Below Grade Snorkel Installation



If the Snorkel Termination must be installed below grade, i.e. basement application, proper drainage must be provided to prevent water from entering the Snorkel Termination. Refer to Snorkel Installation instructions for details. Do not attempt to enclose the Snorkel within the wall, or any other type of enclosure.

6. The arrow on the vent cap should be pointing up. Insure that the 1-1/2" clearances to combustible materials are maintained (Dia. 3). Install the termination cap. **AstroCap™** or all other approved Horizontal Termination Caps may be used. The four wood screws provided should be replaced with appropriate fasteners for stucco, brick, concrete, or other types of



sidings.

Note: If installing termination on a siding covered wall, a vinyl siding standoff or furring strips must be used to ensure that the termination is not recessed into the siding.

7. Before connecting the horizontal run of vent pipe to the vent termination, slide the Wall Thimble (Part # 620-926. over the vent pipe.

*As specified in CGA B149 Installation Code. Local codes or regulations may require different clearances.

INSTALLATION

- Slide the appliance and vent assembly towards the wall carefully inserting the vent pipe into the vent cap assembly. It is important that the vent pipe extends into the vent cap sufficient distance so as to result in a minimum pipe overlap of 1-1/4 inches. Secure the connection between the vent pipe and the vent cap 3 sheet metal screws.
- Install wall thimble in the center of the 10" square and attach with wood screws (Diagram 4..

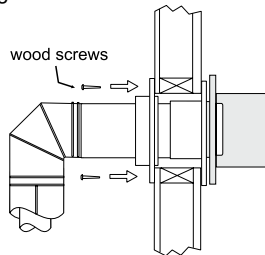


Diagram 4

UNIT INSTALLATION WITH VERTICAL TERMINATION

- Maintain the 1-1/2" clearances (air spaces) to combustibles when passing through ceilings, walls, roofs, enclosures, attic rafter, or other nearby combustible surfaces. Do not pack air spaces with insulation. Check "Venting" Sections for the maximum vertical rise of the venting system and the maximum horizontal offset limitations.
- Set the gas appliance in its desired location. Drop a plumb bob down from the ceiling to the position of the appliance flue exit, and mark the location where the vent will penetrate the ceiling. Drill a small hole at this point. Next, drop a plumb bob from the roof to the hole previously drilled in the ceiling, and mark the spot where the vent will penetrate the roof.

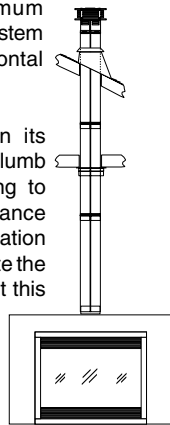


Diagram 1

- A Firestop spacer must be installed in the floor or ceiling of every level. To install the Firestop spacer in a flat ceiling or wall, cut a 10 inch square hole. Frame the hole as shown in Diagram 2 and install the firestop.
- Assemble the desired lengths of pipe and

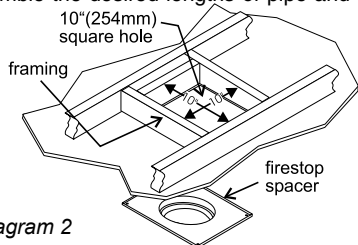
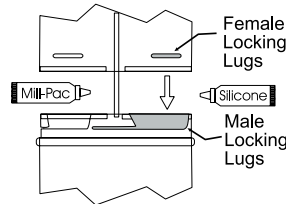


Diagram 2

elbows. Ensure that all pipes and elbow connections are in the fully twist-locked position and sealed.

- Cut a hole in the roof centered on the small



NOTE: For best results and optimum performance with each approved venting system, it is highly recommended to apply "Mill-Pac" sealant (supplied) to every inner pipe connection. Failure to do so may result in drafting or performance issues not covered under warranty. Silicone (red RTV) is optional.

drilled hole placed in the roof in Step 2. The hole should be of sufficient size to meet the minimum requirements for clearance to combustibles of 1-1/2". Slip the flashing under the shingles (shingles should overlap half the flashing) as per Diagram 3.

- Continue to assemble pipe lengths.

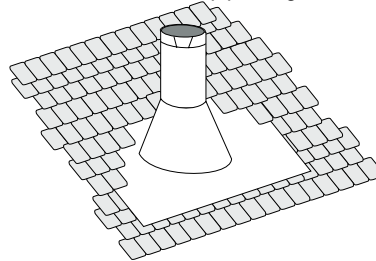


Diagram 3: The upper half of the flashing is installed under the roofing material and not nailed down until the chimney is installed. This allows for small adjustments.

Note: If an offset is necessary in the attic to avoid obstructions, it is important to support the vent pipe every 3 feet, to avoid excessive stress on the elbows, and possible separation. Wall straps are available for this purpose.

Galvanized pipe is desirable above the roof line due to its higher corrosion resistance. Continue to add pipe sections through the flashing until the height of the vent cap meets the minimum height requirements specified in Dia. 4 or local codes. Note that for steep roof pitches, the vertical height must be increased. A poor draft, or down drafting can result from high wind conditions near big trees or adjoining roof lines, in these cases, increasing the vent height may solve the problem.

- Ensure vent is vertical and secure the base of the flashing to the roof with roofing nails, slide storm collar over the pipe section and seal with a mastic.
- Install the vertical termination cap by twist-

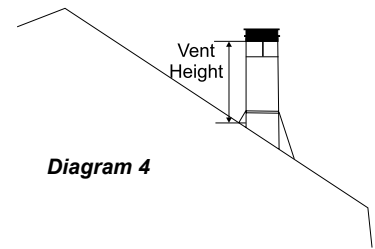


Diagram 4

Roof Pitch	Minimum Vent Height	
	Feet	Meters
flat to 7/12	2	0.61
over 7/12 to 8/12	2	0.61
over 8/12 to 9/12	2	0.61
over 9/12 to 10/12	2.5	0.76
over 10/12 to 11/12	3.25	0.99
over 11/12 to 12/12	4	1.22
over 12/12 to 14/12	5	1.52
over 14/12 to 16/12	6	1.83
over 16/12 to 18/12	7	2.13
over 18/12 to 20/12	7.5	2.29
over 20/12 to 21/12	8	2.44

locking it.

Note: Any closets or storage spaces, which the vent passes through must be enclosed.

GAS LINE INSTALLATION

The gas line is brought through the right side of the appliance. The gas valve is situated on the right hand side of the unit and the gas inlet is on the right hand side of the valve.

The gas line connection may be made of rigid pipe, copper pipe or an approved flex connector. (If you are using rigid pipe, ensure that the valve can be removed for servicing.) Since some municipalities have additional local codes it is always best to consult with your local authorities and the CAN/CGA B149 installation code.

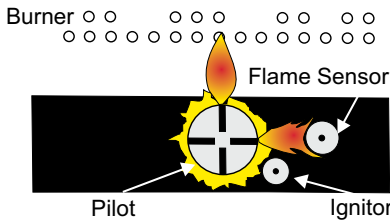
For USA installations follow local codes and/or the current National Fuel Gas Code, ANSI Z223.1.

When using copper or flex connectors use only approved fittings. Always provide a union so that gas lines can be easily disconnected for servicing. Flare nuts for copper lines and flex connectors are usually considered to meet this requirement.

Important: Always check for gas leaks with a soap and water solution or gas leak detector. Do not use open flame for leak testing.

PILOT ADJUSTMENT

Periodically check the pilot flames. Correct flame pattern has two strong blue flames: 1 flowing around the flame sensor and 1 flowing across the burner (it does not have to be touching the burner).



Note: If you have an incorrect flame pattern, contact your Regency® dealer for further instructions.

Incorrect flame pattern will have small, probably yellow flames, not coming into proper contact with the rear burner or flame sensor.

HIGH ELEVATION

This unit is approved in Canada for altitude to 4500 ft. (CAN/CGA-2.17-M91.. For Natural Gas installations above 4500 ft. follow current CAN/CGA-B149.1.

HZ33CE-NG System Data

Conversion Kit# 434-972 (NG to LP)

For 0 to 4500 feet altitude

Burner Inlet Orifice Sizes: #47

Max. Input Rating 17,000 Btu/h
Min. Input Rating 12,000 Btu/h

Supply Pressure min.5.0" w.c.

Manifold Pressure (High) 3.5"+/- 0.3" w.c.

HZ33CE-LP System Data

For 0 to 4500 feet altitude

Burner Inlet Orifice Sizes: #56

Max. Input Rating 15,000 Btu/h
Min. Input Rating 12,500 Btu/h

Supply Pressure min.11.0" w.c.

Manifold Pressure (High) 10"+/- 0.4"w.c.

GAS PIPE PRESSURE TESTING

The appliance must be isolated from the gas supply piping system by closing its individual manual shut-off valve during any pressure testing of the gas supply piping system at test pressures equal to or less than 1/2 psig. (3.45 kPa). Disconnect piping from valve at pressures over 1/2 psig.

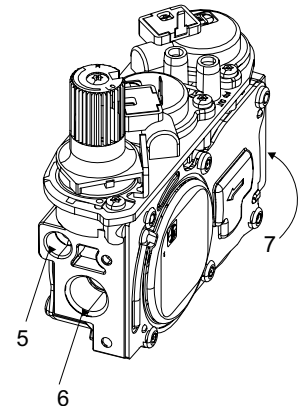
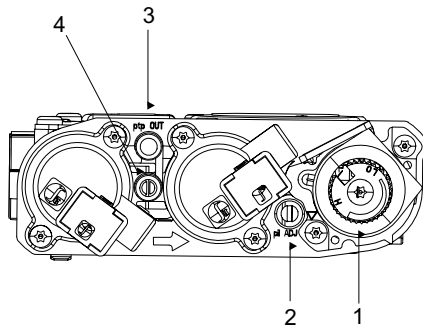
The manifold pressure is controlled by a regulator built into the gas control, and should be checked at the pressure test point.

Note: To properly check gas pressure, both inlet and manifold pressures should be checked using the valve pressure ports on the valve.

1. Make sure the valve is in the "OFF" position.
2. Loosen the "IN" and/or "OUT" pressure tap(s), turning counterclockwise with a 1/8" wide flat screwdriver.
3. Attach manometer to "IN" and/or "OUT" pressure tap(s) using a 5/16" ID hose.
4. Light the pilot and turn the valve to "ON" position.
5. The pressure check should be carried out with the unit burning and the setting should be within the limits specified on the safety label.
6. When finished reading manometer, turn off the gas valve, disconnect the hose and tighten the screw (clockwise) with a 1/8" flat screwdriver. **Note: Screw should be snug, but do not over tighten.**

886 S.I.T. VALVE DESCRIPTION

1. Manual high/low adjustment
2. Pilot adjustment
3. Outlet Pressure Tap
4. Inlet Pressure Tap
5. Pilot Outlet
6. Main Gas Outlet
7. Main Gas Inlet



CONVERSION KIT# 434-972 FROM NG TO LP

For HZ33CE using SIT 886 NOVA Gas Valve

THIS CONVERSION MUST BE DONE BY A QUALIFIED GAS FITTER IF IN DOUBT DO NOT DO THIS CONVERSION !!

Each Kit contains one LPG Conversion Kit # 434-972

LPG Conversion Kit Contains:

Qty.	Part #	Description
1	904-241	Burner Orifice #56
1	918-590	Decal "Converted to LPG"
1	908-528	Red "LPG" label
1	904-529	5/32" Allen Key
1	910-101	LPG Injector (Pilot Orifice)
1	911-009	Hi/Lo Conversion LP
1	919-126	Instruction Sheet

Installation of the LPG Conversion Kit:

1. Shut off the gas supply
2. a) Remove the glass door.
b) Remove the Glass Crystals or Ceramic Stones. Also remove Inner Panels - if installed.
c) Remove the six (6) screws in locations shown below to remove burner tray.



Diagram 1

3. Remove 2 screws in location shown in below - slide burner to the right then lift out. (See Diagram 2)

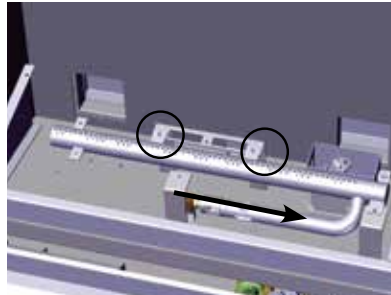


Diagram 2

4. Pull off the pilot cap to expose the pilot orifice.

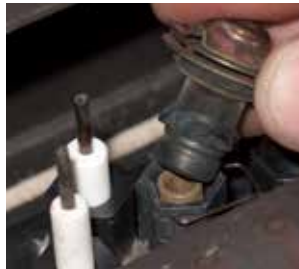


Diagram 3

5. Unscrew the pilot orifice with the Allen key and replace with the LPG pilot orifice in the kit and replace pilot cap.



Diagram 4

6. Remove burner orifice with a 1/2" wrench and discard. Use another wrench to hold on to the elbow below the orifice.

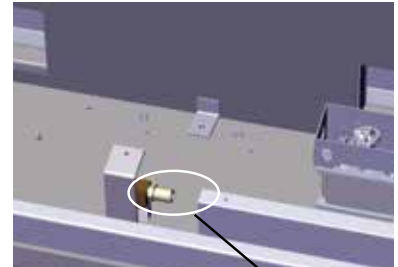


Diagram 5 Burner Orifice

7. Install the new burner orifice stamped #56.
8. Remove regulator and discard. Install Hi/Lo pressure regulator onto the valve with 2 screws as shown below.



Diagram 6

9. Attach the label "This unit has been converted to LPG" near or on top of the serial # decal
10. Replace yellow "NG" label with red "LPG" label
11. Reverse steps 2 - 1.
12. Check for gas leaks.
13. Check inlet and outlet pressures.
14. Check operation of flame control.

Installer Notice:
These instructions must be left with the appliance

GT REMOTE INSTALLATION

- 1) Shut off the gas supply and disconnect all power to the unit.
- 2) Remove the louvers, bay door or faceplate if installed.
- 3) Disconnect battery pack - located on the floor of the unit, as shown below and discard.



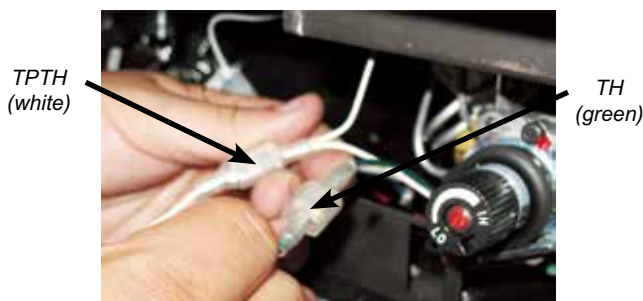
- 4) Remove DFC (digital firebox control box) from the floor of the unit.



- 5) Disconnect wire harness, ground wire and spark wire from DFC. See attached wiring diagram for details.



- 6) Identify wires in the GT remote wiring harness. (see wiring diagram.)
- 7) Connect the TPTH and TH wires - green to green and white to white as shown below. See attached wiring diagram for details.



- 8) Plug in receiver DC supply wire - as shown below.



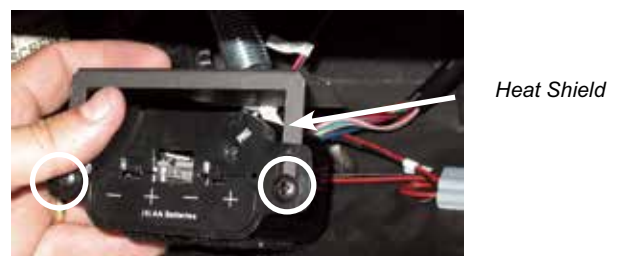
- 9) Install 4 - AA batteries into the receiver, ensure correct polarity.



- 10) Plug receiver wires into the back of the receiver and bundle wires with the wire clip as shown below.



- 11) Install the heat shield to the receiver with two screws and attach to the floor of the unit with a velcro pad.



- 12) Reverse steps 5 and 4.
- 13) Match the remote control to the receiver - see remote control instructions.
- 14) Reverse steps 2 and 1.
- 15) Check to ensure there are no gas leaks.

GTM REMOTE INSTALLATION

- 1) Shut off the gas supply and disconnect all power to the unit.
- 2) Remove the louvers, bay door or faceplate if installed.
- 3) Disconnect battery pack - located on the floor of the unit, as shown below and discard.



- 4) Remove DFC (digital firebox control box) from the floor of the unit.

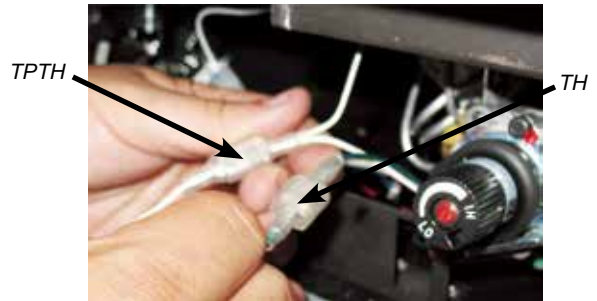


- 5) Disconnect wire harness, ground wire and spark wire from DFC.



DFC

- 6) Identify wires in the GTM/GTMF remote wiring harness. (see wiring diagram.)
- 7) Connect the TPTH and TH wires - green to green and white to white as shown below.



- 8) Plug in receiver DC supply wire - as shown below.



- 9) Remove the hi/lo knob if installed by removing 2 screws as shown below.



- 10) Install the stepper motor in the same location the hi/lo knob was removed from - with 2 screws as shown below.

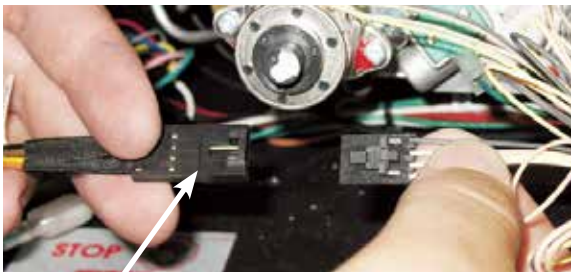


- 11) Remove the receiver if installed - unplug the motor wire from the back of the receiver - as shown below.



- 12) Reattach wires from step 5.

- 13) Plug the stepper motor into the 'motor wire as shown below.



Motor wire

- 14) To unattach these wires - un-clip from the wires on the stepper motor side as shown below.



Press down this tab

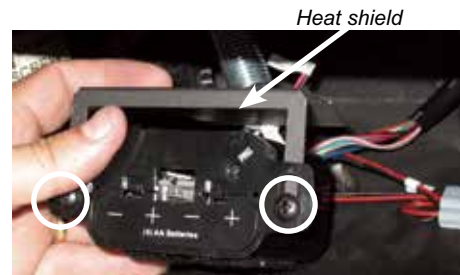
- 15) Install 4-AA batteries into the receiver.



- 16) Bundle all wires together and clip with supplied wire clip - as shown below.



- 17) Install the heat shield to the receiver with two screws and attach to the floor of the unit with a velcro pad - also peel off paper on back side of wire clip and place wires conveniently in appliance.



- 18) Match the remote control to the receiver - see remote control instructions.

- 19) Reverse steps 2 and 1.

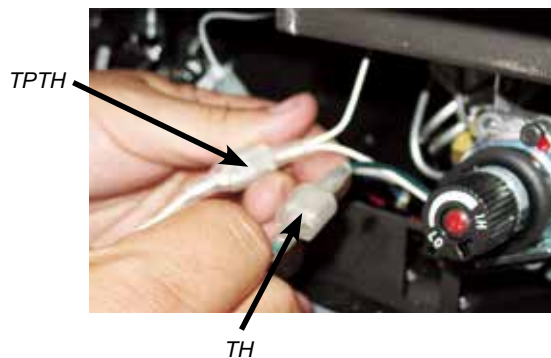
- 20) Check to ensure there are no gas leaks.

GTMF REMOTE INSTALLATION-

- 1) Shut off the gas supply and disconnect all power to the unit.
- 2) Remove the louvers or faceplate, if installed.
- 3) Disconnect battery pack - located on the floor of the unit, as shown below and discard.
Do not use battery pack with remote receiver or an AC adaptor. The fan control module, which is included with the kit serves as an AC adaptor.



- 4) Identify wires in the GTMF remote wiring harness. (see wiring diagram in unit manual.)
- 5) Locate green and white ON/OFF wires on both Remote and Unit wiring harnesses. Connect the TPTH and TH wires - green to green and white to white as shown below



- 6) Plug in receiver DC supply wire from the unit wiring harness, to the DFC supply from the remote wiring harness - as shown below.



If installing stepper motor (part 946-693 or 946-694), see Steps 7 - 8. If not installing stepper motor, proceed to Step 10.

- 7) Remove the hi/lo knob by removing 2 screws as shown below. Be sure to remove diaphragm and spring - discard both.



- 8) Install the stepper motor in the same location the hi/lo knob was removed from - with 2 screws as shown below.



- 9) Connect stepper motor wire to the lead marked motor on the remote wiring harness.
- 10) Install 4 - AA batteries into the receiver. Ensure correct polarity.



- 11) Plug 'receiver' wires into the back of the receiver and bundle wires with the wire clip - as shown below.



- 12) Install the heat shield to the receiver with two screws and attach to the floor of the unit with a velcro pad.



Heat shield

- 13) From the remote wire harness, plug the FCM wire into the fan control module. Be careful not to damage.



Fan Control Module

- 14) Install the heat shield onto the fan control module - then install onto the velcro pad located on the floor of the unit located left of the receiver.



Note: HZ54E unit only - fan control module and the receiver are in a different location than shown above.

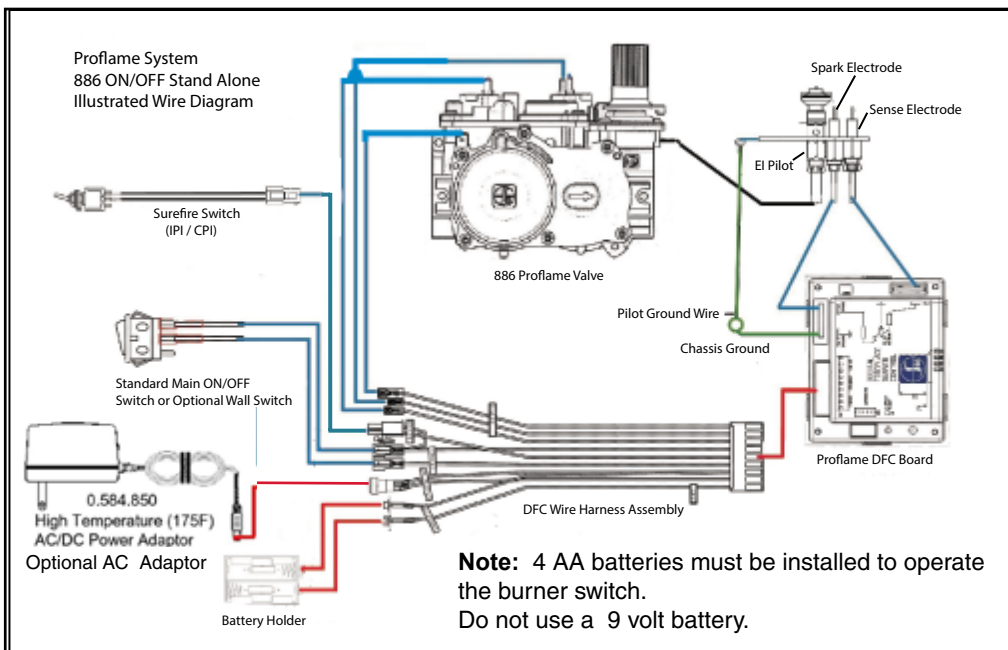
- 15) Plug fan control module into receptacle located on the left hand side of the unit.
- 16) Match the remote control to the receiver - see remote control instructions.
- 17) Reverse steps 2 and 1.
- 18) Check to ensure there are no gas leaks. on the newly installed stepper motor.

WIRING DIAGRAMS

This heater does not require a 120V A.C. supply for operation. In case of a power failure, the burner switch and the optional remote control/thermostat will continue to operate. However, a 120V A.C. power supply is needed for the fan/blower operation.

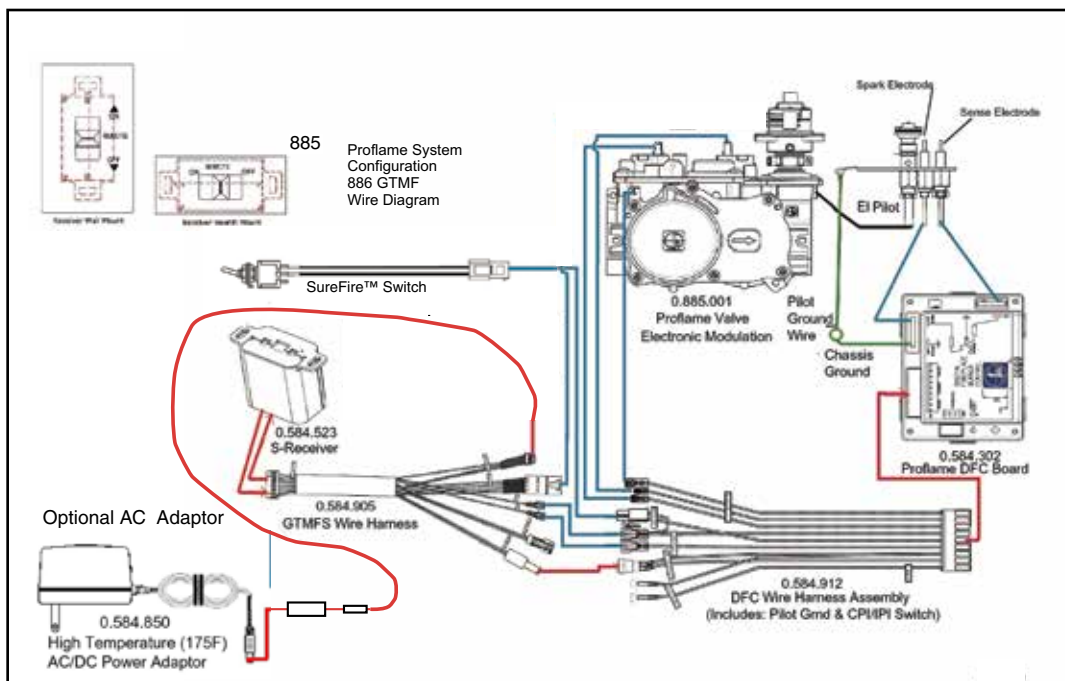
(Do not cut the ground terminal off under any circumstances.)

NOTE: Even if the fan is not purchased with the unit, it is still a good idea to bring power to the receptacle box (provided with the unit) in case the fan is installed at a later date.



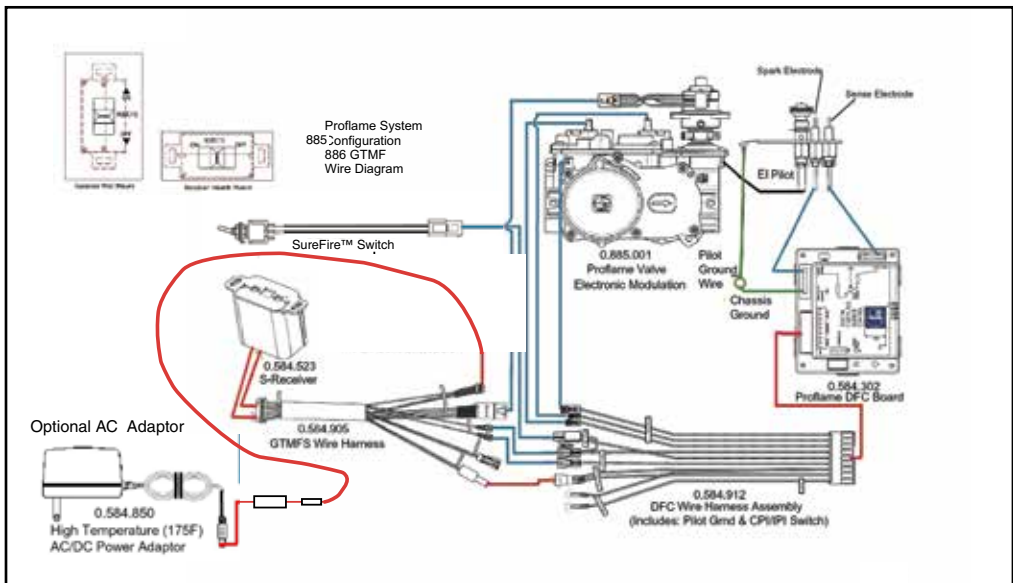
IMPORTANT: If the optional remote control is used, the AA batteries normally installed into the battery holder must be removed. The AA batteries in the receiver now operate the unit. Having AA batteries in both the battery holder and receiver will damage the gas valve.

PROFLAME SYSTEM GT

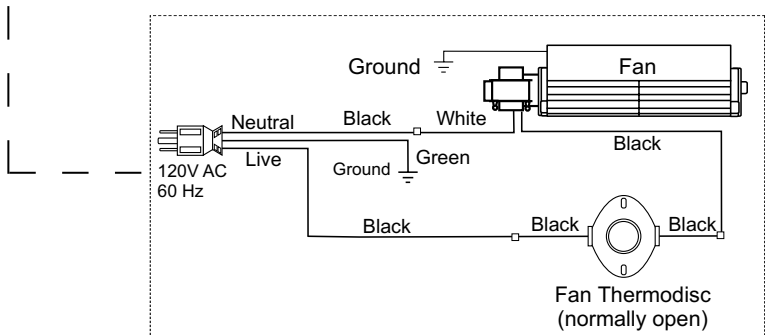
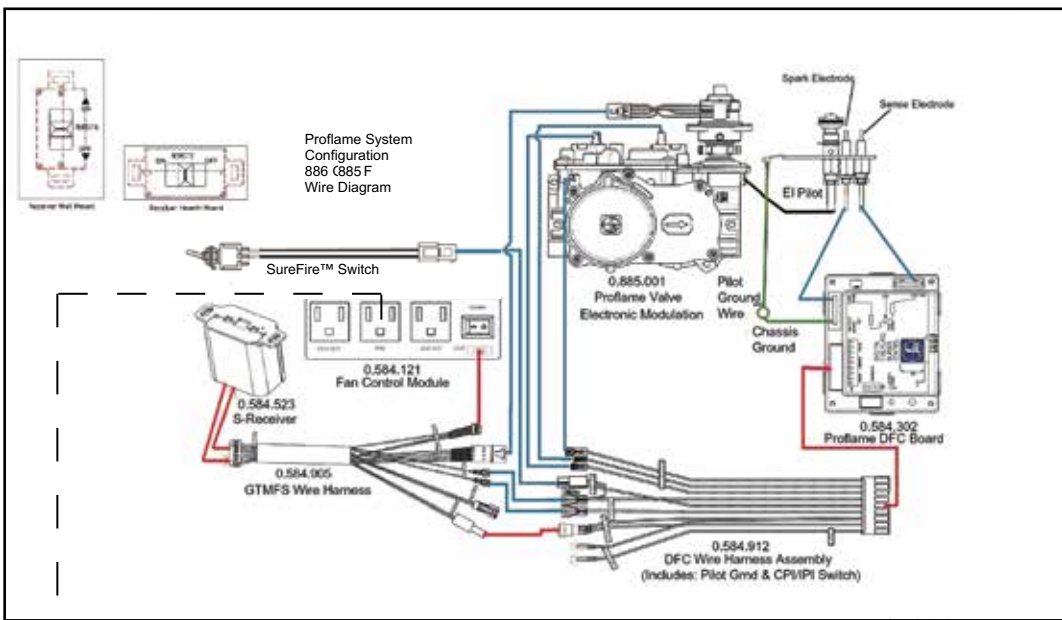


PROFLAME SYSTEM GTM

IMPORTANT: If the optional remote control is used, the AA batteries normally installed into the battery holder must be removed. The AA batteries in the receiver now operate the unit. Having AA batteries in both the battery holder and receiver will damage the gas valve.



PROFLAME SYSTEM GTMF WITH OPTIONAL FAN



INSTALLATION

AC POWER ADAPTOR INSTALLATION (FOR SUREFIRE SYSTEMS)

An optional AC power adaptor may be installed as a constant power source for the SureFire system.

NOTE: AC power adaptor is not required when using GTM/F Remote

IMPORTANT: Recommend removing the 4-AA batteries in the SureFire receiver.

This will avoid battery leakage and power drainage. 4-AA Battery pack may be re-installed into receiver during power outages.

NOTE: For all Gas Fireplaces 120 volt power must be brought to the receptacle box inside the bottom of the firebox (provided with the unit).

All Freestanding Gas Stoves & Gas Inserts will need a receptacle box located outside / near the unit so that the AC Power Adaptor can be plugged in.

INSTALL AC ADAPTOR WITH SUREFIRE WALL SWITCH ONLY - (WITHOUT REMOTE)

1) Locate "DC Supply" tag on wire harness. For location in unit see remote installation page in owners manual.



2) Connect the male end from AC adaptor to the female end tagged "DC Supply" on wiring harness in unit.



3) Plug AC adaptor into 120V wall outlet (or into 120V receptacle if installed inside the gas fireplace firebox).

4) Neatly tuck any loose AC Power Adaptor wires neatly underneath / inside the appliance.

Note: Ensure that wires do not touch the underside of the firebox (keep wires away from the heat as much as possible).

INSTALL AC ADAPTOR WITH SUREFIRE PROFLAME GT / GTM REMOTE

This method also applies for models, HZ3ME - HZ4ME - L350E - HZ135ME

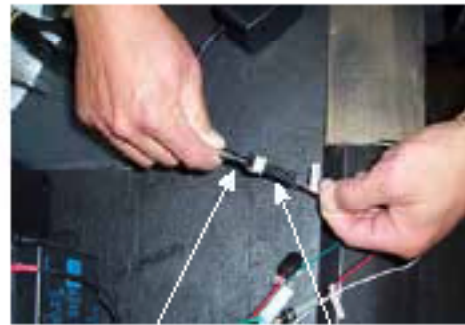
1) Connect the male end of the AC adaptor to the female end of the wire adaptor (supplied with AC adaptor) together as shown.



Wire adaptor

AC adaptor

2) Plug in wire adaptor to FCM - COM connector - be careful not to damage ends. This only fits one way. Do Not Force in wrong way.



AC adaptor wire adaptor

FCM - COM

3) Locate FCM - COM connector on the Remote wire harness - see manual for location in unit.



FCM - COM

4) Plug AC adaptor into 120V wall outlet (or into 120V receptacle if installed inside the gas fireplace firebox).

5) Neatly tuck any loose AC Power Adaptor wires neatly underneath / inside the appliance.

Note: Ensure that wires do not touch the underside of the firebox (keep wires away from the heat as much as possible).

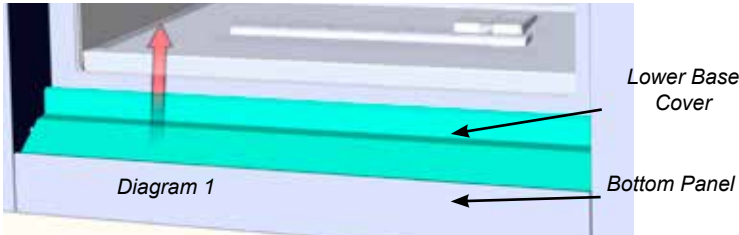
INSTALLING THE OPTIONAL FAN (PRIOR TO UNIT INSTALLATION)

120 Volt AC power is needed for the fan switch and blower. The fan can be hard wired if desired. The grounded duplex receptacle should be installed into the supplied receptacle box by a qualified electrician. The neutral (wider) slot of the polarized receptacle should be at the top.

Unit must be grounded at all times. Do not cut the ground terminal off under any circumstances.

An optional fan can be installed **prior to unit installation** by following these steps.

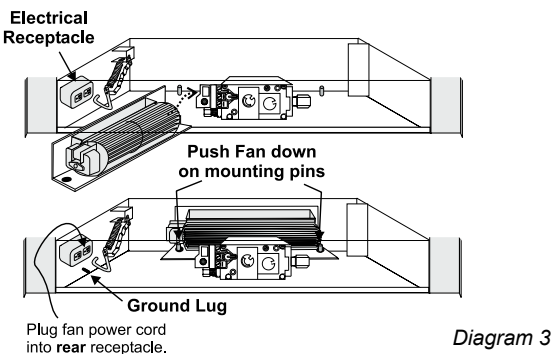
1. Remove lower base cover by tilting forward and lifting out each side to release. (Diagram 1).



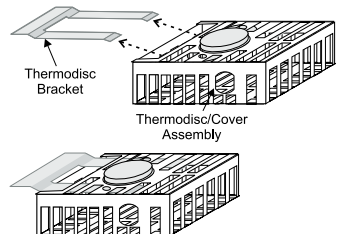
2. Loosen four (4) screws (two on each side) inside of the bottom panel of the clean front, slide panel out.



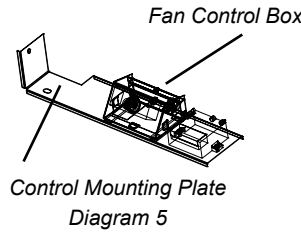
3. Turn the fan base on its side (with the base facing towards you) and then slide the fan in towards the rear of the unit. Turn the fan upright and slip it over the two mounting studs. Take care not to damage the insulation on the fan base. **Ensure that the fan blades do not rub against the valve tubing.**



4. Connect fan ground cable to ground lug. Refer to wiring diagram.
5. Slide the thermodisc/cover assembly into the bracket clip on the underside of the firebox (Diagram 4). Check that no wires will touch hot surfaces.



6. Attach the fan control box to the Control Plate. (Diagrams 5 & 6.



7. Position the control plate assembly on the left hand side of the firebox. Diagram 7

8. Secure the control plate assembly with 1 screw as shown in Diagram 8.



9. Secure the fan wires and power cord by attaching one of the adhesive backed wire holder clips (Part #910-199, onto the Fireplace base. Use the second clip to bundle up the wires approximately 4" from the control box. Ensure that there is no interference with the wires when the faceplate and trim are installed and that no wires will touch the hot metal surfaces or sharp edges.

10. Plug the fan power cord into the rear end of the receptacle box to provide the maximum clearance.

11. Reverse Steps 1 and 2.

TO REMOVE THE FAN

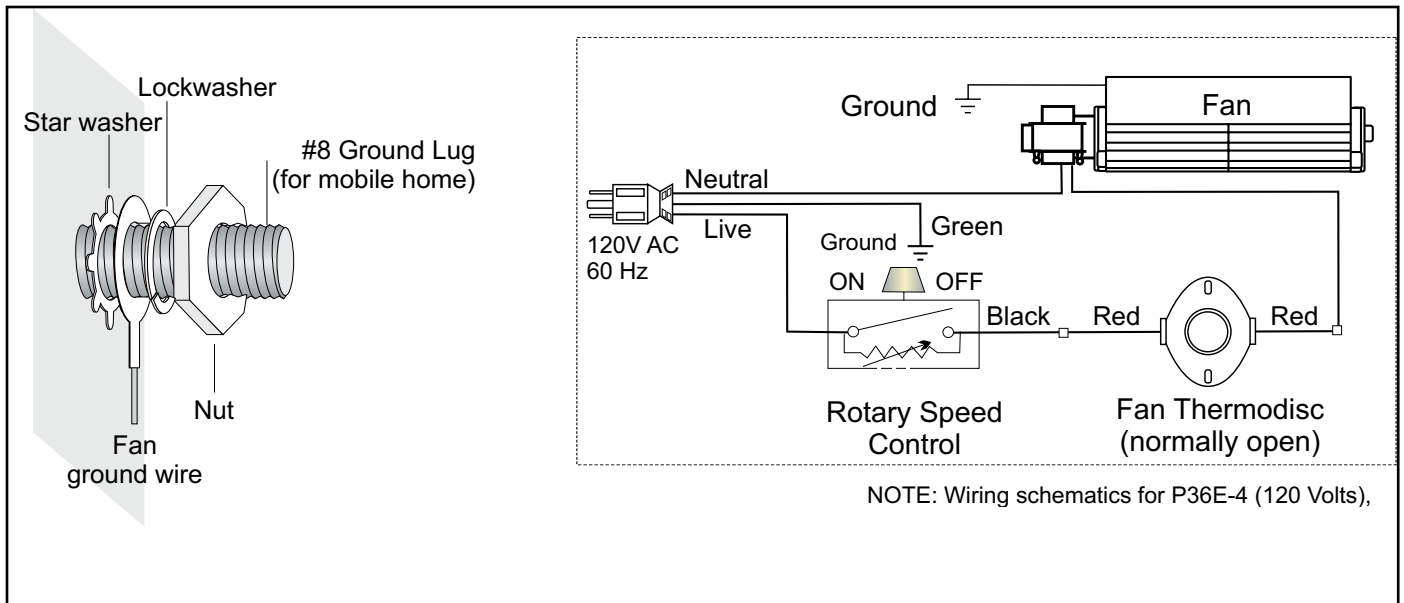
1. Shut the power off.
2. Follow Steps 2 - 7 of `Installing the optional fan after unit is installed`.
3. Reverse Step 8 of `Installing the optional fan after unit is installed`.

Note: The bearings are lubricated for life. Do not lubricate them. Make sure you vacuum the fan area on a regular basis.

IMPORTANT:

These fans collect a lot of dust from within your home. Ensure you maintain these fan motors on a regular basis by vacuuming out the fan blades and housing using a soft brush nozzle.

OPTIONAL FAN WIRING DIAGRAM



INSTALLING THE OPTIONAL FAN (INSTALLED UNIT)

120 Volt AC power is needed for the fan switch and blower. The fan can be hard wired if desired. The grounded duplex receptacle should be installed into the supplied receptacle box by a qualified electrician. The neutral (wider) slot of the polarized receptacle should be at the top.

Unit must be grounded at all times. Do not cut the ground terminal off under any circumstances.

1. Shut the power off.
2. Remove Flush door (See instructions in this Manual).
3. Remove inner panels (See instructions in this Manual).
4. Remove glass crystals or ceramic stones.
5. Remove the base tray by removing 6 screws in the locations shown below.

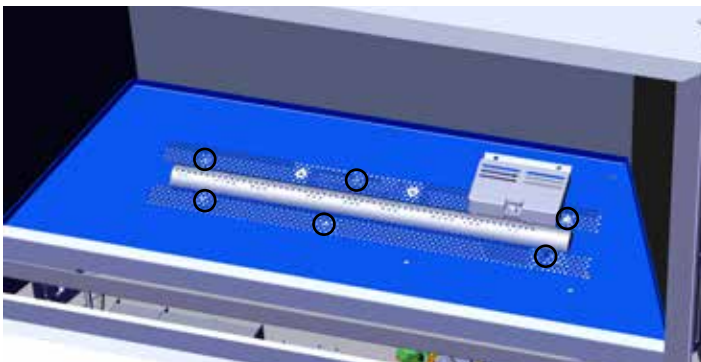


Diagram 1: Remove the 6 screws and then lift out the base tray

6. Remove 2 screws in location shown below - slide burner to the right then lift out. (See Diagram 2).

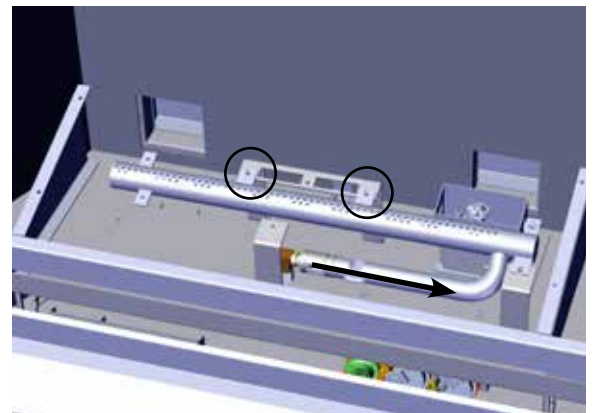


Diagram 2

7. Remove the 12 screws securing the valve tray assembly in place (Diagram 3) and then lift the entire assembly out.

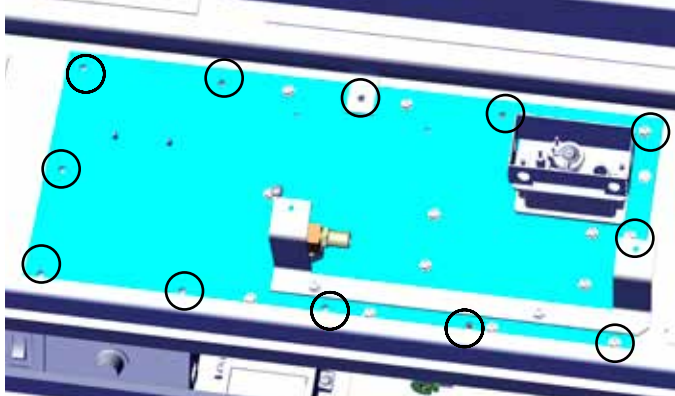


Diagram 3

8. Manoeuvre fan into valve tray opening at base of firebox.

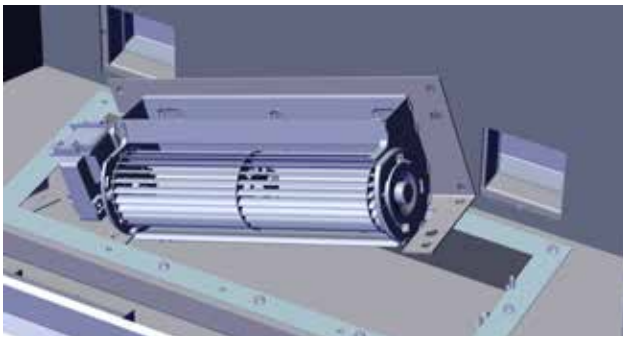


Diagram 4

9. Secure fan by pushing fan down onto mounting pins located on floor of unit. Take care not to damage the insulation on the fan base. **Ensure that the fan blades do not rub against the valve tubing.** Diagram 5.

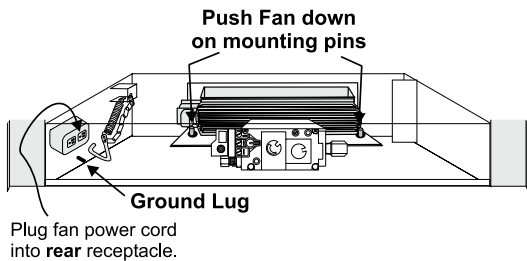


Diagram 5

10. Connect fan ground cable to ground lug. Refer to wiring diagram.

11. Slide the thermodisc/cover assembly into the bracket clip on the underside of the firebox (Diagram 6). Check that no wires will touch the hot surfaces.

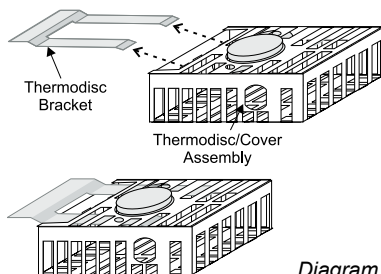


Diagram 6

12. Remove lower base cover by lifting out (Diagram 7).

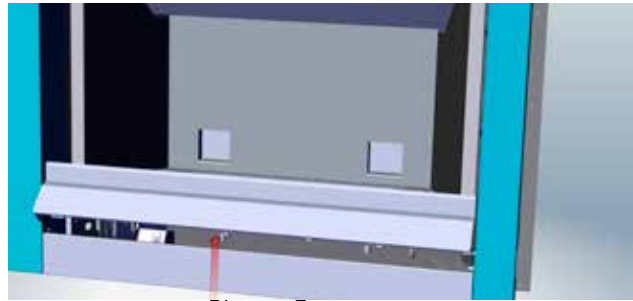


Diagram 7

13. Attach the fan control box to the Control Plate. (Diagrams 8 & 9).

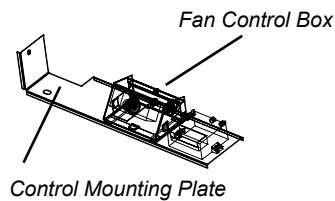


Diagram 8



Diagram 9

14. Position the control plate assembly on the left hand side of the firebox. Diagram 10

15. Secure the control plate assembly with 1 screw as shown in Diagram 11.



Diagram 10



Diagram 11

16. Secure the fan wires and power cord by attaching one of the adhesive backed wire holder clips (Part #910-199) onto the Fireplace base. Use the second clip to bundle up the wires approximately 4" from the control box. Ensure that there is no interference with the wires when the faceplate and trim are installed and that no wires will touch the hot metal surfaces or sharp edges.

17. Plug the fan power cord into the rear end of the receptacle box to provide the maximum clearance.

18. Reverse Step 1-7.

TO REMOVE THE FAN

1. Shut the power off.

2. Reverse the above instructions.

Note: The bearings are lubricated for life. Do not lubricate them. Make sure you vacuum the fan area on a regular basis.

IMPORTANT:

These fans collect a lot of dust from within your home. Ensure you maintain these fan motors on a regular basis by vacuuming out the fan blades and housing using a soft brush nozzle.

INSTALLATION

Optional WALL THERMOSTAT

A wall thermostat may be installed if desired, connect the wires as per the wiring diagram. Use table below to determine the maximum wire length.

Note: Preferable if the thermostat is installed on an interior wall.

Regency® offers an optional programmable thermostat but any 250-750 millivolt rated non-anticipator type thermostat that is CSA, ULC or UL approved may be used.

CAUTION
Do not wire millivolt wall thermostat wires to 120V wire.

Thermostat Wire Table

Recommended Maximum Lead Length (Two-Wire) When Using Wall Thermostat (CP-2 System)	
Wire Size	Max. Length
14 GA.	50 Ft.
16 GA.	32 Ft.
18 GA.	20 Ft.
20 GA.	12 Ft.
22 GA.	9 Ft.

Optional REMOTE CONTROL

Use the Regency® Remote Control Kit approved for this unit. Use of other systems may void your warranty.

The remote control kit comes with a hand held transmitter, a receiver and a wall mounting plate.

1. Choose a convenient location on the wall to install the receiver and the receptacle box (protection from extreme heat is very important). Run wires from the fireplace to that location. Use Thermostat Wire Table.
2. Connect the two wires to the gas valve. See wiring diagram. Wall switch GT/GTM using wire 0.584.907

CAUTION
Do not wire millivolt remote control wires to 120V wire.

3. Install 3 AAA alkaline batteries in transmitter and 4 AA alkaline batteries in the receiver. Install the receiver and its cover in the wall. Switch the remote receiver to "remote" mode. The remote control is now ready for operation.

WALL SWITCH

1. Run the supplied wire through the right or left side gas inlet opening. Be careful not to damage wire.

Note: We recommend a maximum of 15' of wire but if you wish to go with a longer run, use the Thermostat Wire Table.

2. Connect the wire to the wall switch and install into the receptacle box. Also attach wires to the valve as shown below.

CAUTION
Do not wire millivolt wall switch wire to 120V wire.

AERATION ADJUSTMENT

The burner aeration is factory set but may need adjusting due to either the local gas supply or altitude. Open the air shutter for a blue flame by pulling down on the rod or close for a more yellow flame by pushing up on the rod.

Minimum Air Shutter Opening:

NG	1/16"
NG with Logs	3/16"
NG with Stones	3/16"
LP	3/16"
LP with Logs	Full open
LP with Stones	Full open

CAUTION: Carbon will be produced if air shutter is tightly closed.

Note: Any damage due to carboning resulting from improperly setting the aeration controls is NOT covered under warranty.

BATTERY INSTALLATION

1. 4 AA batteries must be installed in the battery pack to operate the burner switch.
2. Install 2 AA batteries per side and connect as shown below - the battery pack is located on the lower left side of the unit.



OPTIONAL REFLECTIVE PANEL INSTALLATION

Before installation, panels must be handled and cleaned as per instructions noted below:

Black Enamel Panels

- Black Enamel panels must be inspected for scratches and dimples prior to installation. All claims to be recorded at this time. Claims for damage after installation will not receive consideration.
- Black Enamel panels will discolor a little during normal operation. This is normal and should not be considered a defect.
- * All hand and finger marks **MUST** be cleaned off with a soft cloth. Use an ammonia based cleaner (ie. glass cleaner) to remove any fingerprints before applying heat to the unit.
Failure to do this will result in burn stain on panels which you will be unable to remove. Not protected by product warranty.

1. Remove flush glass door and firebox base tray by removing 6 screws in the locations shown below.

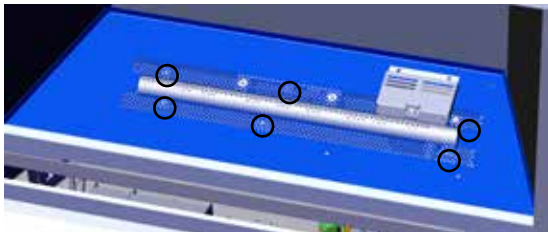


Diagram 1: Remove the 6 screws - lift out base tray

2. Remove 4 screws prior to top panel installation. Do not remove this panel.



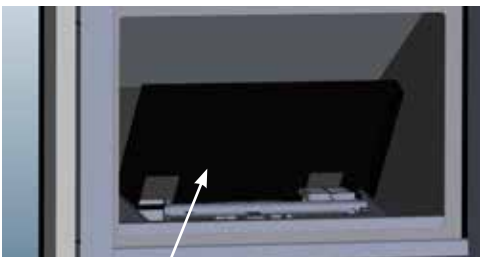
Diagram 2

3. Place the top panel in first, secure with 4 screws. (See Diagram 2 for screw locations)



Diagram 3

4. With the top panel in place - install back panel. The back panel fits under the top panel, push the top panel up to fit back panel into position. (Diagram 3)



Back Panel

Diagram 3

5. Secure back panel with panel bracket as shown below. This bracket will come with the appliance and is enclosed in manual package.



Diagram 4

6. The side panels are installed last, slide in as shown in Diagram 5. **Note:** The bend in the metal on the side panels should face inward (toward the wall of the firebox - see Diagram 5). If the side panels have been installed incorrectly the firebox base will not fit.



Diagram 5



7. Reinstall the firebox base and glass door.



Completed Panel Installation

Note: Diagram is shown without a burner.

INSTALLATION

GLASS CRYSTALS AND OPTIONAL STONES INSTALLATION ON BURNER AND FIREBOX FLOOR

Evenly spread the Glass Crystals or optional Ceramic Spa Stones over the burner.
Ensure the crystals (or stones) do not overlap too much as this will effect the flame pattern.

IMPORTANT NOTE:

Only the supplied approved Glass Crystals and Stones are to be used with these fireplaces. Use of any other type of glass crystals or stones can alter the unit's performance, any damage caused by the use of any unapproved glass or stones will not be covered under warranty.

When using Ceramic Spa Stones **DO NOT** cover burner ports or pilot light that lead to pilot flame. Ensure the crystals or stones do not overlap excessively as this will effect the flame pattern.

BURNER PACKAGES			
Unit	*Glass Crystals	**Spa Stones	Volcanic Stones
HZ33CE	4 lb	4 lb glass + 70 spa stones	4 lb glass + 30 stones
NOTE: * Glass Crystals are available in 1lb and 5lb bags. ** Spa stone package contains 70 stones			



1) Start installing Crystals on back of Burner and Firebox Floor



2) Distribute Crystals evenly towards front of Burner and Firebox Floor



3) Work Crystals from back to front edge of Firebox Floor



4) Spread Crystals evenly over the burner and firebox base



5) Ensure Crystals **DO NOT** block the front of the pilot hood and flame to light the burner

Glass Crystals shown on Burner and Firebox Floor



NOTE: Correct final glass installation of Crystals shown in step 4 and 5. The Burner and Firebox Floor should not be visible when the flame is out.

OPTIONAL SPA STONES INSTALLATION (AROUND BURNER)



NOTE: Spa stones are **NOT** to be placed anywhere on the burner tube or Pilot assembly area.

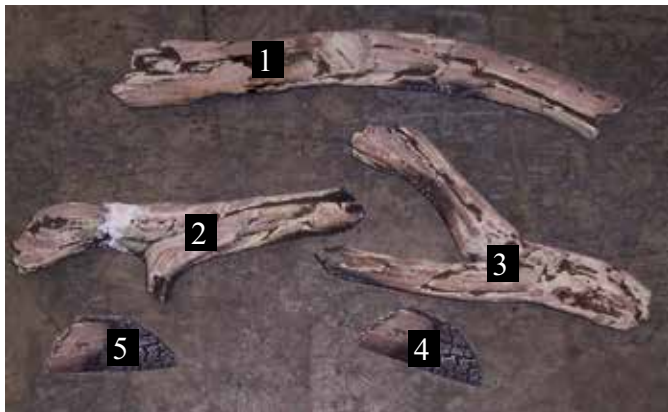
OPTIONAL LOG SET INSTALLATION

Read the instructions below carefully and refer to the images. If the logs are broken do not use the unit until they are replaced. Broken logs can interfere with pilot operation.

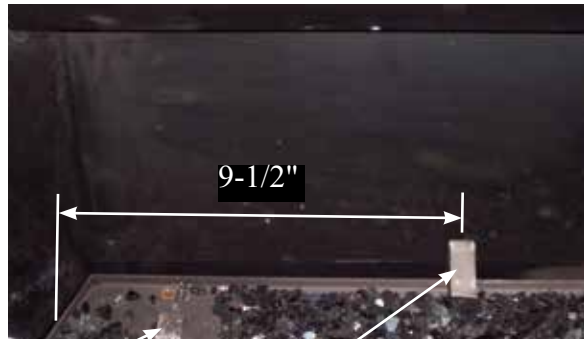
Improper positioning of the logs and lava embers may create carbon build-up and can alter the unit's performance which is not covered under warranty.

*Satin black paint is included if touch ups are required.

1	Rear Log
2	Right Log
3	Left Log
4	Front Right Log Piece
5	Front Left Log Piece - HZ33CE Only
	Lava Embers/Rocks
	Log Clip - HZ33CE only
	Log Brackets - HZ33CE / HZ30E



6. Install log clip to lip on burner tray - position 9-1/2" from the left edge of the burner tray to the centre of clip.



HZ33CE Log Bracket HZ33CE Log Clip

7. Install Rear Log (1), seat on log clip and rest on left log bracket. Right side of log should sit flush with the outside edge of the pilot hood.



Log 1 in position Log 1 end of Log flush with edge of pilot hood

1. Shut off gas and electrical supply, allow unit to cool to room temperature.

2. Remove flush glass door (see unit manual).

3. Carefully remove the logs from the packaging and unwrap them. The logs are fragile, handle with care -never force into position.

4. Ensure glass crystals are installed on the burner.
HZ33CE = 4lbs HZ30E=1lb

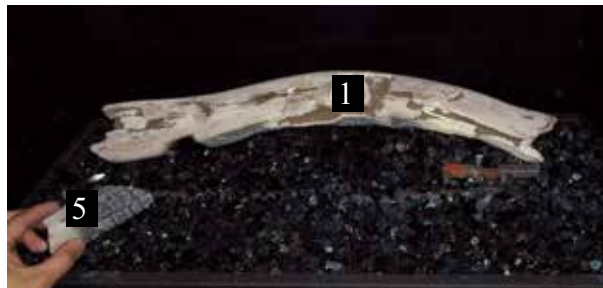
HZ33CE INSTALL INSTRUCTIONS:

5. **HZ33CE only**- Install log bracket onto left side of burner with 2 screws as shown below.



HZ33CE - install bracket, left side

8. Place Log 5 on the glass crystals on the left side.



HZ33CE shown - Logs 1 and 5 in position.

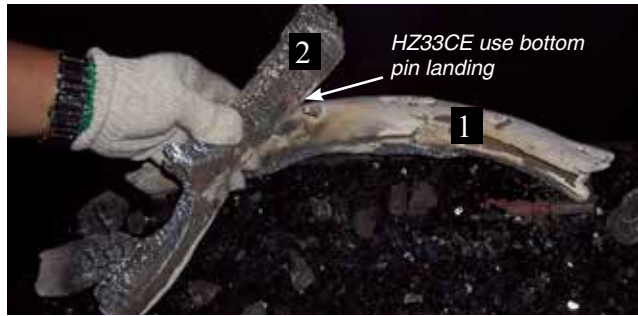
9. Place Log 4 on the glass on the right side in location shown below.



HZ33CE shown - Logs 1, 4 and 5 in position.

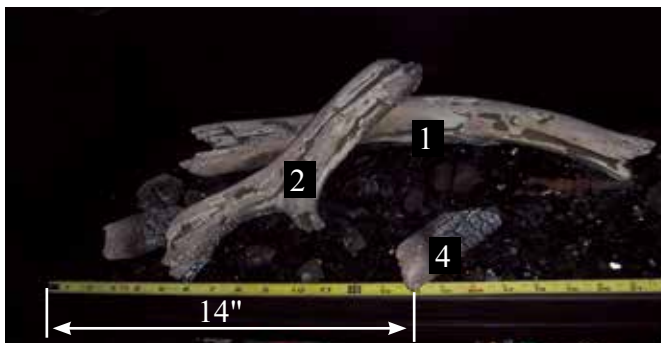
INSTALLATION

- Place Left Log (2) match pin landing on Log 2 with pin on Log 1, the bottom should rest on the glass as shown below.

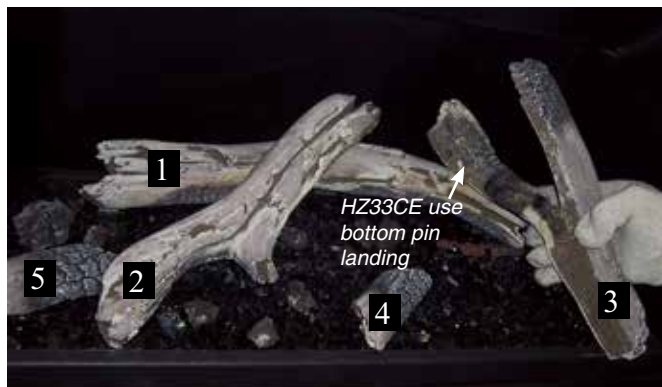


HZ33CE shown - Left Log (2) positioned to rest on Log 1 and glass crystals.

- Adjust position of Log 4 – log should sit as shown below, 14" from the left outside of the burner tray.



- Position Log 3, line up bottom pin landing on Log 3 with pin on Log 1. The remainder of Log 3 will rest on the burner tray.



- Place lava embers/rocks on glass - ensure rocks do not block pilot. Do not place lava rocks/embers too close to logs as this may cause carboning.

- Adjust aeration, see unit manual for setting.



HZ33CE shown - Final Install

HZ30E INSTALL INSTRUCTIONS:

- Install the log clips on the burner tray - measure 2-1/2" from the outside edge of the pilot hood to the outside edge of the log clip.



- Position Back Log (1) by positioning centre of Log on centre of pilot hood. Rest Log 1 on log clips. Each end should rest on the lip of the burner tray – as shown below.



HZ30E shown - Log 1 in position

- Position Log 2, line up pin landing on Log 2 with pin on Log 1, remainder of Log 2 rests on the burner tray as shown below.



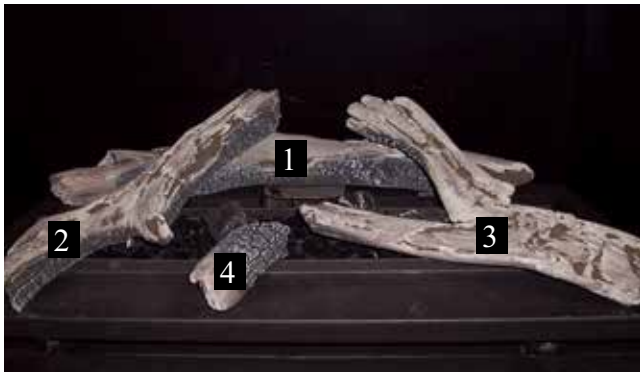
HZ30E shown - installing Log 2

- Position Log 3, line up bottom pin landing on Log 3 with pin on Log 1. The remainder of Log 3 will rest on the burner tray.



HZ30E shown - Log 3 install

- Place Left Log (4) piece on burner tray, part of the Log should sit on the lip of the burner tray as shown below.



HZ30E shown - Log 3 install

- Place lava embers/rocks on glass - ensure rocks do not block pilot. Do not place lava rocks/embers too close to logs as this may cause carboning.
- Adjust aeration, see unit manual for setting.



HZ30E shown - Final Install

GLASS SCREEN GUARD AND GLASS DOOR INSTALLATION

STANDARD FLUSH DOOR AND SCREEN

Both the standard flush door and glass screen guard come with a black frame. To install the glass screen guard simply hook the over top of the flush glass door see Diagram 1. Install both screen and glass door by hooking the top door flange onto the top of the unit and swing the door towards the unit, Diagram 2. Be careful that the glass gasket does not roll up; there must be a gap between the gasket and the door lip to ensure that the door sits securely on the unit. See Diagram 3.

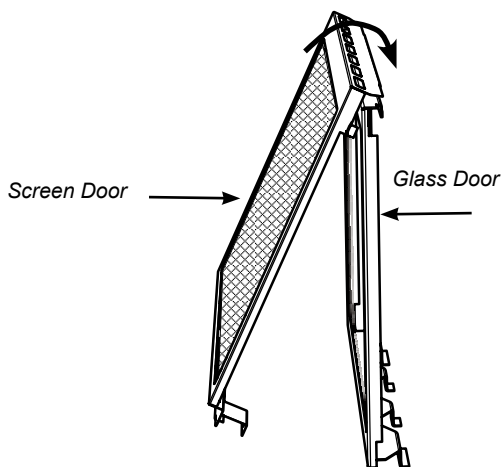


Diagram 1

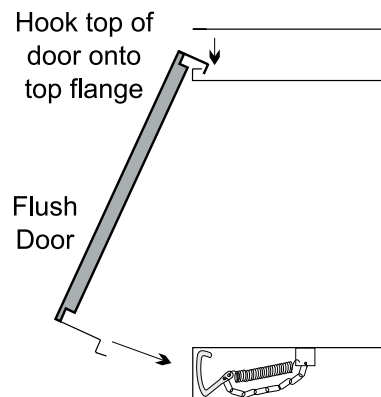


Diagram 2

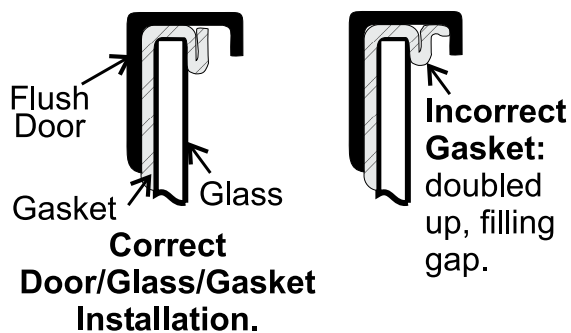


Diagram 3

Use the hook to pull the spring out until you can put the hook into the slot on the bottom door bracket. Repeat for 2nd spring. See Diagram 4.

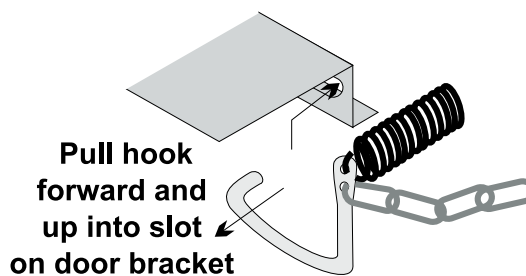
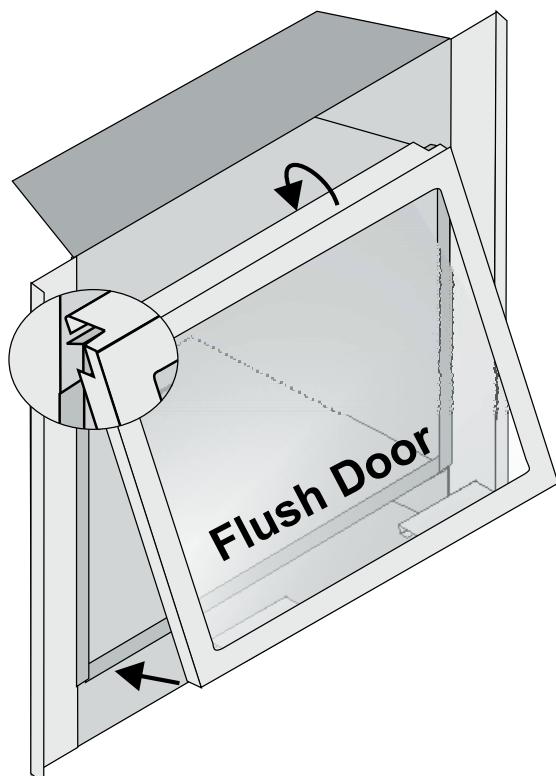


Diagram 4

To remove the flush door and screen, reverse the above steps.



OPTIONAL 4-SIDED FACEPLATE INSTALLATION

If installing the optional faceplate ensure the combustible and non combustible material around the unit are installed flush with the unit. (See Diagram 1 below). The faceplate cannot be installed if materials are not flush.

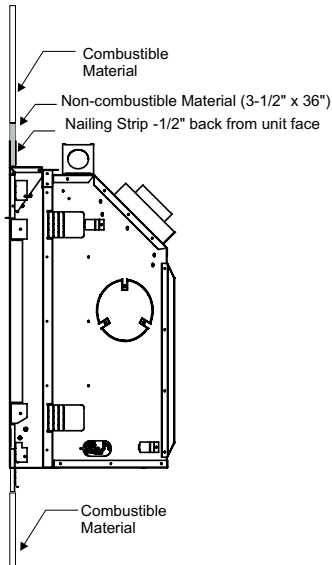


Diagram 1- Materials flush w/unit.

1. Install 2 middle screws on unit face - do not tighten. Slide bracket over screws then tighten. Install 2 outer screws.

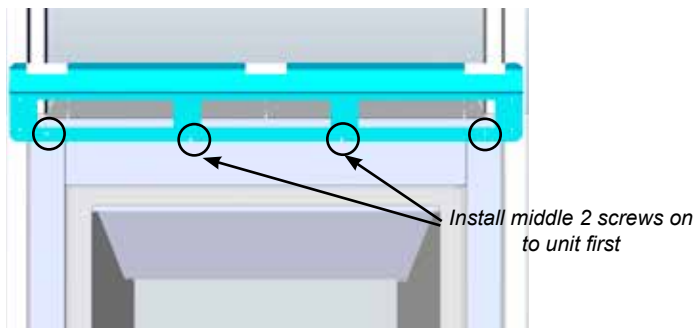


Diagram 2 -Bracket screw locations on unit.

2. Install four (4) wood screws, two (2) on each side of the bracket into the wall studs as shown below.

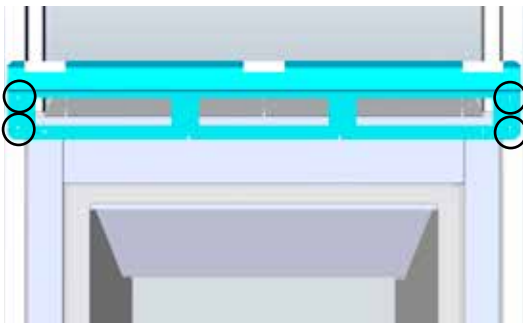
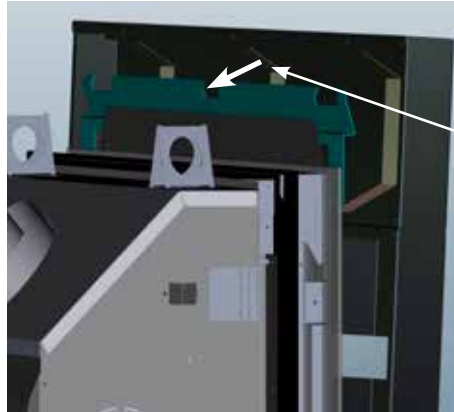


Diagram 3 -Bracket screw locations.

3. Line up the middle rib on backside of faceplate with middle indent on bracket. This will centre the faceplate and allow 1/16" adjustment from side to side.



Middle Rib on Faceplate

Diagram 4 -Line up faceplate and bracket.

4. Lift faceplate up and lower gently onto bracket.

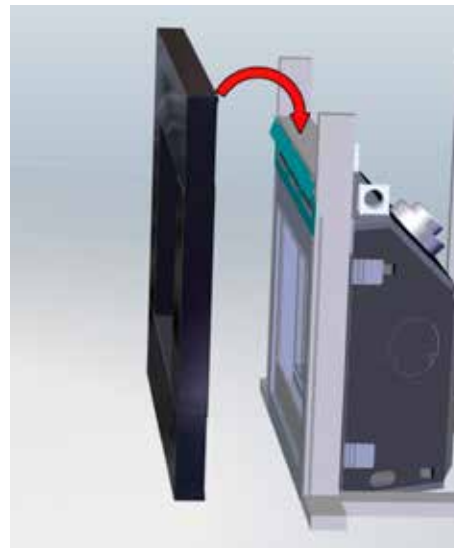


Diagram 5 -Hang faceplate on bracket



Diagram 6 -Final Install

OPTIONAL MANTEL INSTALLATION

If installing the optional mantel ensure the combustible and non combustible material around the unit are installed flush with the unit. (See Diagram 1 below). The mantel cannot be installed if materials are not flush.

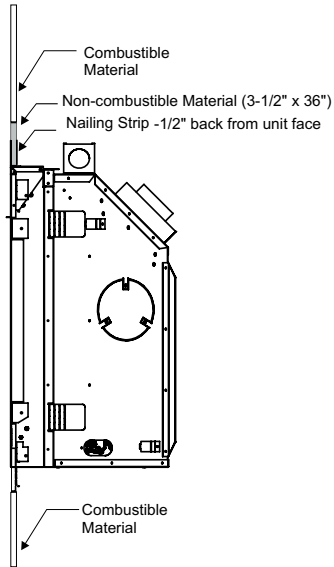


Diagram 1- Materials flush w/unit.

1. Install 2 middle screws on unit face - do not tighten. Slide bracket over screws then tighten, install 2 outer screws .

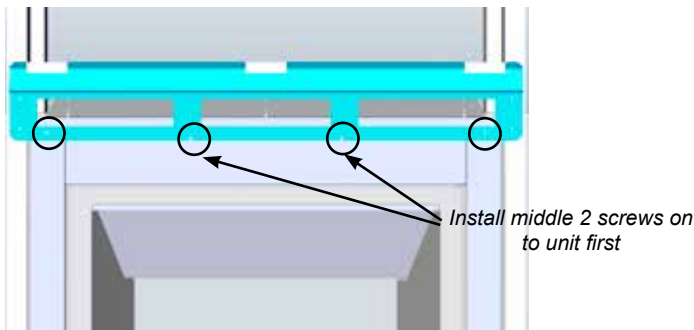


Diagram 2 -Bracket screw locations on unit.

2. Install four (4) wood screws, two (2) on each side of the bracket into the wall studs as shown below.

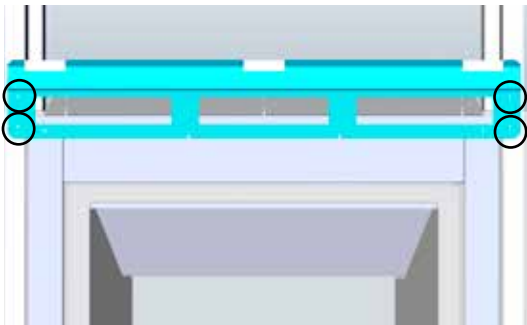
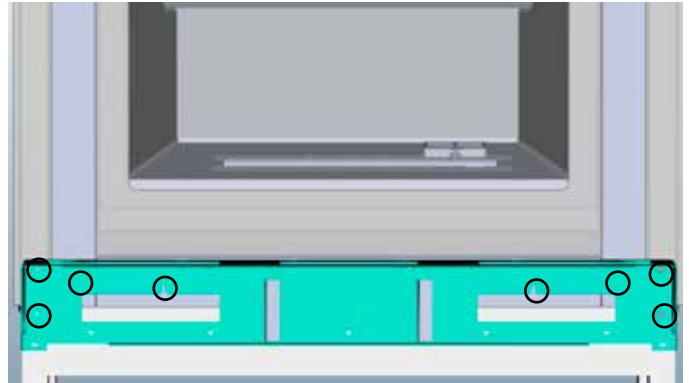
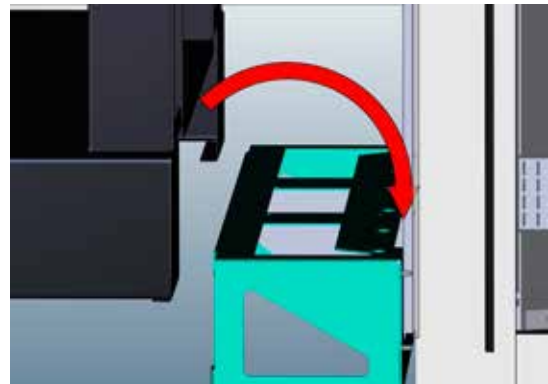


Diagram 3 -Bracket screw locations into stud.

3. Repeat steps 1 and 2 to install lower bracket - screw locations are shown below.



4. Line up flange on hearth portion of mantel, with opening between bracket and unit.



5. Lift up mantel and line up the middle rib on backside of faceplate with middle indent on bracket. This will centre the faceplate and allow 1/16" adjustment from side to side.

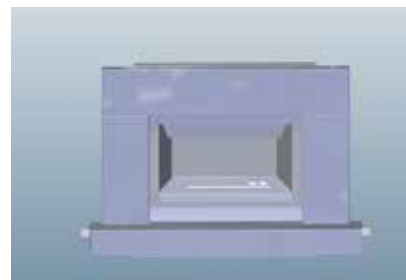
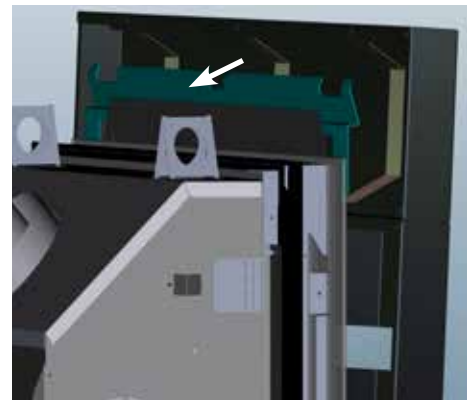


Diagram 6 -Final Install

OPERATING INSTRUCTIONS

1. Read and understand these instructions before operating this appliance.
2. Check to see that all wiring is correct and enclosed to prevent possible shock.
3. Check to ensure there are no gas leaks.
4. Make sure the glass in the glass door frame is properly positioned. Never operate the appliance with the glass removed.
5. Verify that the venting and cap are unobstructed.
6. The unit should never be turned off, and on again without a minimum of a 60 second wait.

FIRST FIRE

The **FIRST FIRE** in your heater is part of the paint curing process. To ensure the paint is properly cured, it is recommended you burn your fireplace for at least four (4) hours the first time.

When first operated, the unit will release an odour caused by the curing of the paint and the burning off of any oils remaining from manufacturing. Smoke detectors in the house may go off at this time. Open a few windows to ventilate the room for a couple of hours. The glass may require cleaning.

NOTE: When the glass is cold and the appliance is lit, it may cause condensation and fog the glass. This condensation is normal and will disappear in a few minutes as the glass heats up.

DO NOT ATTEMPT TO CLEAN THE GLASS WHILE IT IS STILL HOT!

DO NOT BURN THE UNIT WITHOUT THE GLASS DOOR IN PLACE.

During the first few fires, a white film may develop on the glass front as part of the curing process. The glass should be cleaned after the unit has cooled down or the film will bake on and become very difficult to remove. Use a non-abrasive cleaner and **DO NOT ATTEMPT TO CLEAN THE GLASS WHILE IT IS HOT.**

LIGHTING PROCEDURE

1. Turn on ON/OFF switch or press and release on ON/OFF button once on the remote control if being used.
2. After approximately 4 seconds the spark ignition system will spark for 60 seconds to light the main burner.
3. The unit will turn on.

Note: The first try for ignition will last approximately 60 seconds. If there is no flame ignition (rectification) the board will stop sparking for approximately 35 seconds. After wait time, the board will start second try for ignition by sparking for approximately 60 seconds. If there is still no positive ignition the board will go into lock out.

The system will need to be reset as follows:

- a) Turn the system off using ON/OFF switch or press ON/OFF button - if using optional remote.
- b) After approximately 2 seconds turn on ON/OFF switch or press ON/OFF button if using optional remote.
- c) Repeat step 1.

SHUTDOWN PROCEDURE

1. Turn ON/OFF switch or press and release the ON/OFF button once if using optional Remote Control.
2. If service is to be performed - you must disconnect both sources of power to the unit, the main power and battery.

NORMAL OPERATING SOUNDS OF GAS APPLIANCES

It is possible that you will hear some sounds from your gas appliance. This is perfectly normal due to the fact that there are various gauges and types of steel used within your appliance. Listed below are some examples. All are **normal operating sounds** and should not be considered as defects in your appliance.

Burner Tray:

The burner tray is positioned directly under the burner and is made of a different gauge material from the rest of the firebox and body. Therefore, the varying thicknesses of steel will expand and contract at slightly different rates which can cause "ticking" and "cracking" sounds. You should also be aware that as there are temperature changes within the unit these sounds will likely re-occur. Again, this is normal for steel fireboxes.

Pilot Flame:

While the pilot flame is on it can make a very slight "whisper" sound.

Gas Control Valve:

As the gas control valve turns ON and OFF, a dull clicking sound may be audible, this is normal operation of a gas regulator or valve.

Unit Body/Firebox:

Different types and thicknesses of steel will expand and contract at different rates resulting in some "cracking" and "ticking" sounds will be heard throughout the cycling process.

COPY OF LIGHTING PLATE INSTRUCTIONS

FOR YOUR SAFETY READ BEFORE LIGHTING

This appliance must be installed in accordance with local codes, if any; if none, follow the National Fuel Gas Code, ANSI Z223.1/NFPA 54, or Natural Gas and Propane Installation Codes, CSA B149.1.

WARNING: If you do not follow these instructions exactly, a fire or explosion may result causing property damage, personal injury or loss of life. Improper installation, adjustment, alteration, service or maintenance can cause injury or property damage. Refer to the owner's information manual provided with this appliance. For assistance or additional information consult a qualified installer, service agency or gas supplier.

AVERTISSEMENT. Quiconque ne respecte pas à la lettre les instructions dans la présente notice risquent déclencher un incendie ou une explosion entraînant des dommages, des blessures ou la mort.

Une installation, d'ajustement, de modification, de service ou d'entretien peut provoquer des blessures ou des dommages matériels. Reportez-vous au manuel du propriétaire de l'information fournie avec cet appareil. Pour obtenir de l'aide ou des informations supplémentaires consulter un installateur qualifié, une agence de service ou fournisseur de gaz.

A) This appliance is equipped with an ignition device which automatically lights the pilot. Do not try to light the pilot by hand.

B) **BEFORE OPERATING** smell all around the appliance area for gas. Be sure to smell next to the floor because some gas is heavier than air and will settle on the floor.

WHAT TO DO IF YOU SMELL GAS

- Do not try to light any appliance.
- Do not touch any electric switch, do not use any phone in your building.
- Immediately call your gas supplier from a neighbours phone. Follow the gas supplier's instructions.
- If you cannot reach your gas supplier, call the fire department.

C) Do not use this appliance if any part has been under water. Immediately call a qualified service technician to inspect the appliance and replace any part of the control system and any gas control which has been underwater.

A) Cet appareil est muni d'un dispositif d'allumage qui allume automatiquement la veilleuse. Ne tentez pas d'allumer la veilleuse manuellement.

B) **AVANT DE FAIRE FONCTIONNER**, reniflez tout autour de l'appareil pour déceler une odeur de gaz. Reniflez près du plancher, car certains gaz sont plus lourds que l'air et peuvent s'accumuler au niveau du sol.

QUE FAIRE SI VOUS SENTEZ UNE ODEUR DE GAZ :

- Ne pas tenter d'allumer d'appareil
- Ne touchez à aucun interrupteur; ne pas vous servir des téléphones se trouvant dans le bâtiment.
- Appelez immédiatement votre fournisseur de gaz depuis un voisin. Suivez les instructions du fournisseur.
- Si vous ne pouvez rejoindre le fournisseur, appelez le service des incendies

C) N'utilisez pas cet appareil s'il a été plongé dans l'eau, même partiellement. Faites inspecter l'appareil par un technicien qualifié et remplacez toute partie du système de contrôle et toute commande qui ont été plongés dans l'eau.

CAUTION: Hot while in operation. Do not touch. Severe Burns may result. Due to high surface temperatures keep children, clothing and furniture, gasoline and other liquids having flammable vapors away. Keep burner and control compartment clean. See installation and operating instructions accompanying appliance.

LIGHTING INSTRUCTIONS

- 1) Turn on ON/OFF switch
- 2) After approximately 4 seconds the spark ignition system will spark for 60 seconds to light the main burner.
- 3) The unit will turn on.

Note: The first attempt to ignition will last approximately 60 seconds. If there is no flame ignition (rectification) the board will stop sparking for approximately 35 seconds. After this wait time, the board will start a second try for ignition by sparking for approximately 60 seconds. If there is still no positive ignition after the second attempt the board will go into lock out.

The system will need to be reset as follows (after going into lock out mode):

- a) Wait 5 minutes - turn the system off using ON/OFF switch.
- b) After approximately 2 seconds turn on ON/OFF switch or press ON/OFF button if using optional remote.
- c) Unit will repeat step 2.

1) Appuyez le bouton ON / OFF

2) Attendre 4 secondes. Le système d'allumage produira des étincelles pendant 60 secondes afin d'amorcer le brûleur principal.

3) Les flammes s'allumeront.

Remarque : Au premier allumage, le système tente d'allumer les flammes pendant 60 secondes. Si l'essai est infructueux, le système fait une pause de 35 secondes. C'est ce qu'on appelle l'étape de rectification. Ce délai écoulé, le système tente à nouveau d'allumer les flammes en produisant des étincelles pendant 60 secondes. Si les flammes ne s'allument toujours pas, le système se met en mode verrouillage.

Il faut alors le réinitialiser en suivant les étapes ci-dessous (pour le déverrouiller) :

- a) Attendre 5 minutes et éteindre l'appareil en réglant l'interrupteur à la position « OFF »;
- b) Attendre 2 secondes et rallumer le système à l'aide de l'interrupteur ou de la télécommande.
- c) L'unité répétera l'étape 2.

TO TURN OFF GAS APPLIANCE

- 1) Turn off ON/OFF switch
- 2) If service is to be performed - you must disconnect power to the unit, from the battery pack, refer to manual.

- 1) Appuyez sur le bouton ON / OFF
- 2) Si le service est effectuée, vous devez débrancher l'appareil, du bloc-piles, voir le manuel d'instruction pour plus de détails.

DO NOT REMOVE THIS INSTRUCTION PLATE

918-628b

MAINTENANCE INSTRUCTIONS

1. Always turn off the gas valve before cleaning. For relighting, refer to lighting instructions. Keep the burner and control compartment clean by brushing and vacuuming at least once a year.
2. Clean appliance and door with a damp cloth (never when unit is hot). Never use an abrasive cleaner. The glass should be cleaned with a gas fireplace glass cleaner. **The glass should be cleaned when it starts looking cloudy.**
3. The faceplate is finished in a heat resistant paint and should only be refinished with heat resistant paint. Regency® uses StoveBright Paint - Metallic Black #6309.
4. Make a periodic check of burner for proper position and condition. Visually check the flame of the burner periodically, making sure the flames are steady; not lifting or floating. If there is a problem, call a qualified service person.
5. The appliance and venting system must be inspected before use, and at least annually, by a qualified field service person, to ensure that the flow of combustion and ventilation air is not obstructed.

Note: Never operate the appliance without the glass properly secured in place.

6. Do not use this appliance if any part has been under water. Immediately call a qualified service technician to inspect the appliance and to replace any part of the control system and any gas control which has been under water.
7. In the event this appliance has been serviced check that the vent-air system has been properly resealed & reinstalled in accordance with the manufacturer's instructions.
8. Verify operation after servicing.

GENERAL VENT MAINTENANCE

Conduct an inspection of the venting system semi-annually. Recommended areas to inspect as follows:

1. Check the Venting System for corrosion in areas that are exposed to the elements. These will appear as rust spots or streaks, and in extreme cases, holes. These components should be replaced immediately.
2. Remove the Cap, and shine a flashlight down the Vent. Remove any bird nests, or other foreign material.
3. Check for evidences of excessive condensation, such as water droplets forming in the inner liner, and subsequently dripping out the joints. Continuous condensation can cause corrosion of caps, pipe, and fittings. It may be caused by having excessive lateral runs, too many elbows, and exterior portions of the system being exposed to cold weather.
4. Inspect joints, to verify that no pipe sections or fittings have been disturbed, and consequently loosened. Also check mechanical supports such as Wall Straps, or plumbers' tape for rigidity.

GLASS GASKET

If the glass gasket requires replacement use a tadpole glass gasket (Part # 936-155..

GLASS DOOR

Your Regency® fireplace is supplied with high temperature 5mm-Ceramic glass. If your glass requires cleaning, we recommend using an approved glass cleaner available at all authorized dealers. Do not use abrasive materials.

CAUTION & WARNINGS:

- * Do not clean when the glass is hot.
- * The use of substitute glass will void all product warranties.
- * Care must be taken to avoid breakage of the glass.
- * Do not strike or abuse the glass.
- * Do not operate this fireplace without the glass front or with a cracked or broken glass front.
- * Wear gloves when removing damaged or broken glass.
- * Replacement of the glass panel(s) should be done by a licensed or qualified service person.

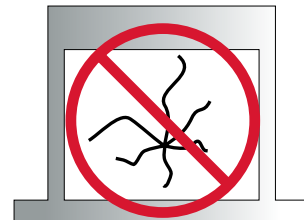
GLASS REPLACEMENT

In the event that you break your glass by impact, purchase your replacement from an authorized Regency® dealer only.

Replacement glass is shipped already installed into the door frame.

CAUTION: Wear gloves when removing damaged or broken glass.

WARNING: Do not operate the appliance with the glass panels removed, cracked or broken. Replacement of the glass panels should be done by a licensed or qualified service person.



VALVE TRAY REPLACEMENT

Removing Valve

1. Shut off the gas supply.
2. Remove the faceplate.
3. Open the flush door and remove the door.
4. Remove 6 screws in locations shown below to remove base tray and pilot hood (See Diagram 1..

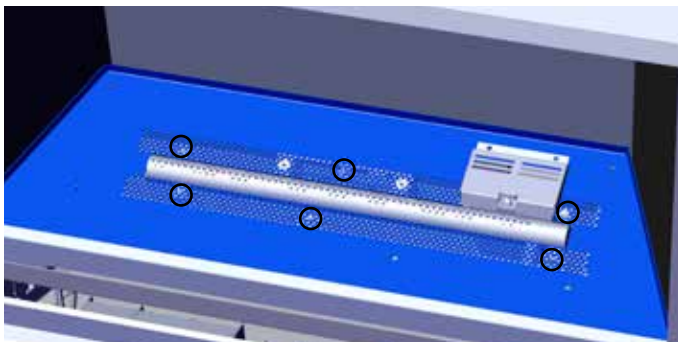


Diagram 1: Remove the 6 screws and then lift out the base tray

5. Remove 2 screws in location shown below - slide burner to the right then lift out. (See Diagram 2.

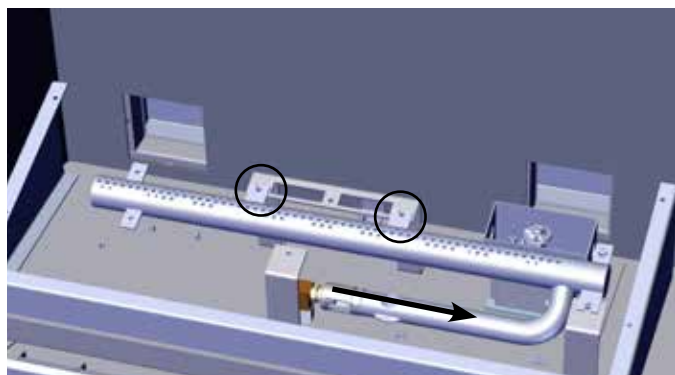


Diagram 2

6. Disconnect the inlet gas line.
7. Disconnect the EV1, EV2, and ground wires from the valve - as shown below.

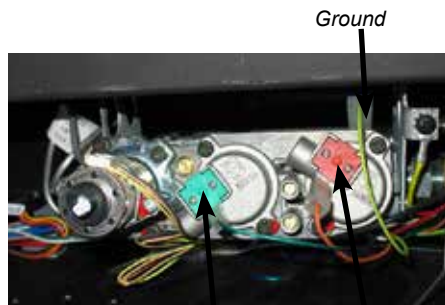


Diagram 3

8. Remove the 12 screws securing the valve tray assembly in place (Diagram 4. and then lift the entire assembly out (Diagram 5..

NOTE: Parts have been hidden to shown screw locations.

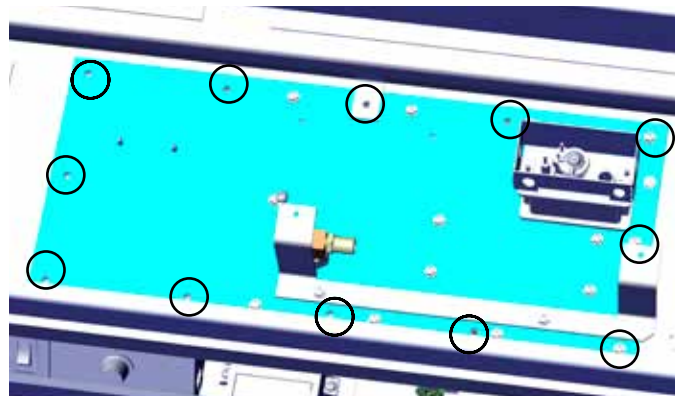


Diagram 4

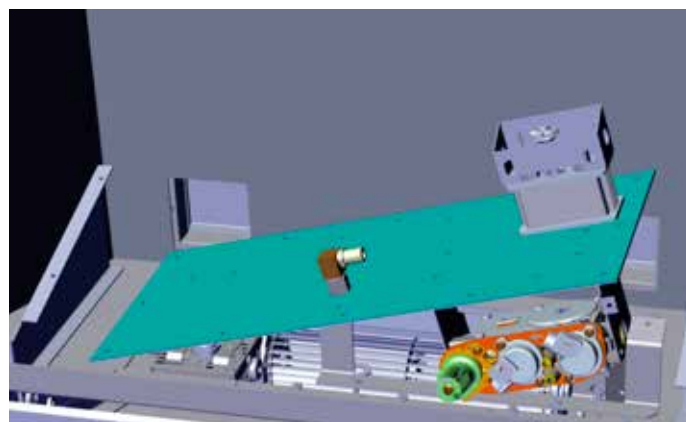


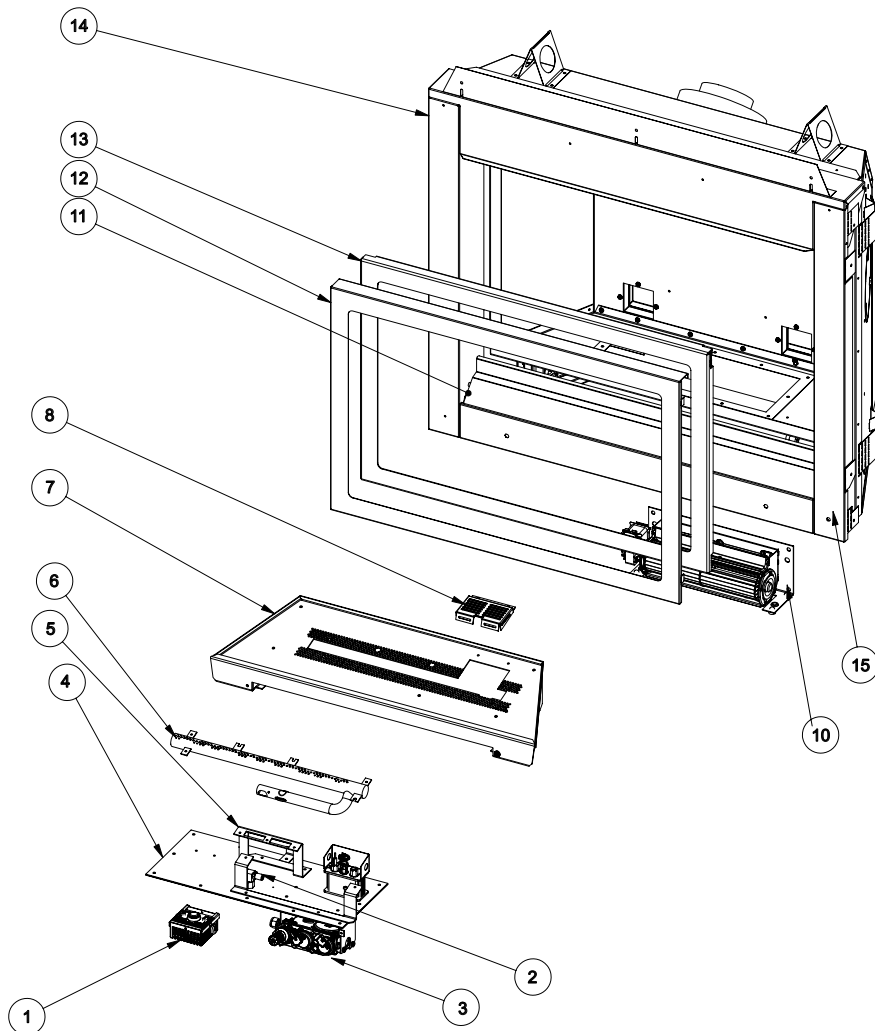
Diagram 5: Lift out Valve Tray Assembly

Installing Valve

1. Install new Valve Tray Assembly.
2. Reverse steps 8-1.

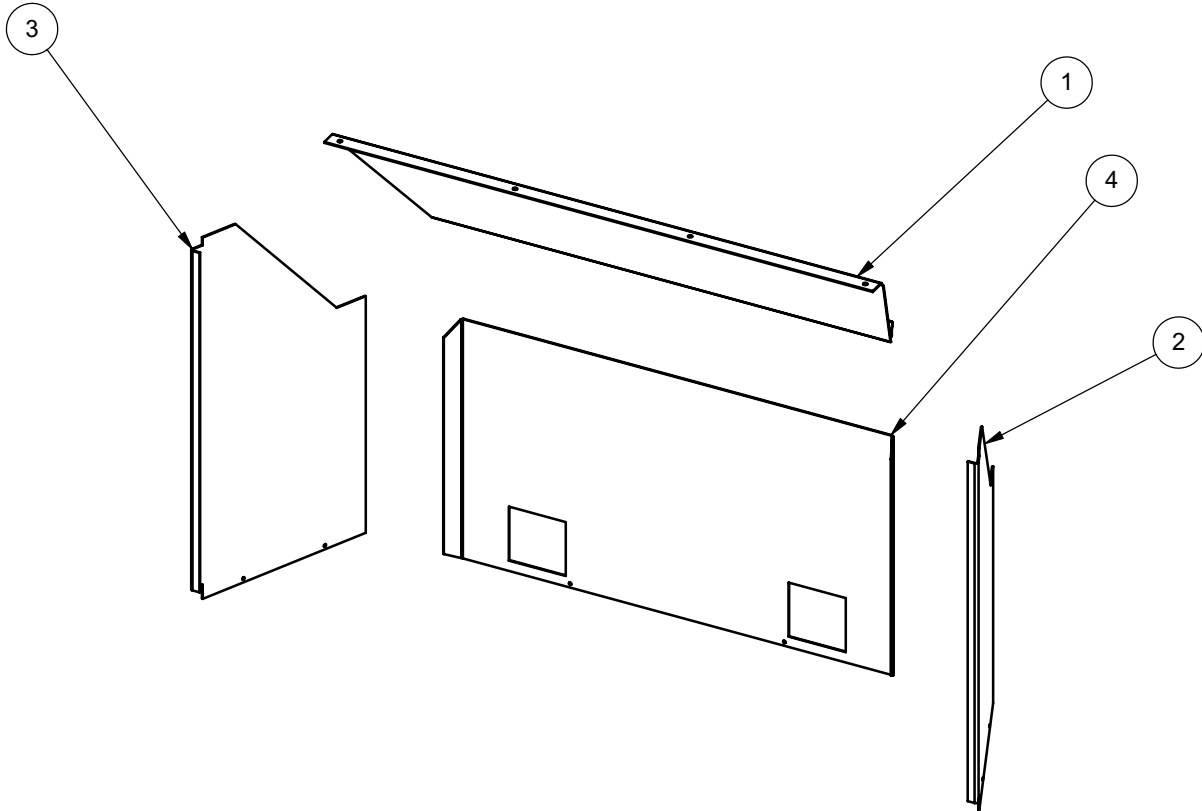
MAIN ASSEMBLY

Part #	Description	Part #	Description		
1	770-523	Thermdisc Cage Assy	10	432-917	Fan Assembly
2	904-434	Orifice #47 NG	11	437-018	Access panel
	904-241	Orifice #56 LP	12	437-024	Screen Frame
3	911-004	886 Proflame Valve	13	433-538	Door Assembly
4	437-578	Valve Assembly	14	437-023	**Clean Front Face
5	437-012	Bracket	15	433-511	**Firebox Assembly
6	437-525	Burner Assembly		**	Not a replacement part
7	437-015	Burner Filler Tray Assy		911-006	Pilot Assembly - NG
8	437-004	Pilot Cover		911-007	Pilot Assembly - LP
				919-120	Manual



ACCESSORIES

	Part #	Description
1	434-044	Enamel Panel Top
2	434-042	Enamel Panel Left
3	434-041	Enamel Panel Right
4	434-043	Enamel Panel Back





Regency® Fireplace Products are designed with reliability and simplicity in mind. In addition, our internal Quality Assurance Team carefully inspects each unit thoroughly before it leaves our facility. FPI Fireplace Products International Ltd. is pleased to extend this limited lifetime warranty to the original purchaser of a Regency® Product. This warranty is not transferable.

The Warranty: Limited Lifetime

The combustion chamber, heat exchanger, burner tubes/pans, logs, glass crystals, ceramic spa stones, pebbles, brick panels and gold plating (against defective manufacture only) are covered under the Limited Lifetime Warranty for five (5. years for parts and subsidized labour* and parts only thereafter.

Glass is covered for lifetime against thermal breakage only, parts and subsidized labour* for five (5. years and parts only thereafter from date of purchase.

External casting, surrounds and grills are covered against cracks and warps resulting from manufacturer defects, parts and subsidized labour* for three (3. years from the date of purchase and parts only thereafter.

Special Finishes - One year on stainless steel panels, nickel overlays, nickel faceplates, brushed nickel and antique copper full screens and doors. You can expect some changes in color as the product "ages" with constant heating and cooling. FPI warranties the product for any manufacturing defects on the original product. However, the manufacturers warranty does not cover changing colors and marks, ie. finger prints, etc applied after the purchase of the product. Damage from the use of abrasive cleaners is not covered by warranty.

Electrical and mechanical components such as blowers, switches, wiring, thermodiscs, FPI remote controls, spill switches, thermopiles, thermocouples, pilot assembly components, and gas valves are covered for two years parts and one year subsidized labour* from the date of purchase. Blowers and valves replaced under warranty are considered repairs and continue as if new with appliance. ie. twelve (12. months from original purchase date of appliance with a minimum of three (3. months coverage from date of replacement.

FPI venting components are covered parts and subsidized labour* for three (3. years from date of purchase.

Simpson Dura-Vent venting components (Direct Vent units) are covered by Simpson Dura-Vent Inc. warranty.

Repair/replacement parts purchased by the consumer from FPI after the original coverage has expired on the unit will carry a 90 day warranty, valid with a receipt only. Any item shown to be defective will be repaired or replaced at our discretion. No labor coverage is included with these parts.

Conditions:

Any part or parts of this unit which in our judgement show evidence of such defects will be repaired or replaced at FPI's option, through an accredited distributor or agent provided that the defective part be returned to the distributor or agent **Transportation Prepaid**, if requested.

Porcelain/Enamel - Absolute perfection is either guaranteed nor commercially possible. Any chips must be reported and inspected by an authorized dealer within three days of installation. Reported damage after this time will be subject to rejection.

It is the general practice of FPI to charge for larger, higher priced replacement parts and issue credit once the replaced component has been returned to FPI and evaluated for manufacturer defect.

The authorized selling dealer is responsible for all in-field service work carried out on your Regency® product. FPI will not be liable for results or costs of workmanship from unauthorized service persons or dealers.

At all times FPI reserves the right to inspect product in the field which is claimed to be defective.

All claims must be submitted to FPI by authorized selling dealers. It is essential that all submitted claims provide all of the necessary information including customer name, purchase date, serial #, type of unit, problem, and part or parts requested, without this information the warranty will be invalid.

Exclusions:

This limited Lifetime Warranty does not extend to or include paint, door or glass gasketing or trim.

At no time will FPI be liable for any consequential damages which exceed the purchase price of the unit. FPI has no obligation to enhance or modify any unit once manufactured. ie. as products evolve, field modifications or upgrades will not be performed.

FPI will not be liable for travel costs for service work.

Installation and environmental problems are not the responsibility of the manufacturer and therefore are not covered under the terms of this warranty policy.

Embers, rockwool, gaskets, door handles and paint are not covered under the terms of this warranty policy.

Any unit which shows signs of neglect or misuse is not covered under the terms of this warranty policy.

The warranty will not extend to any part which has been tampered with or altered in any way, or in our judgment has been subject to misuse, improper installation, negligence or accident, spillage or downdrafts caused by environmental or geographical conditions, inadequate ventilation, excessive offsets, negative air pressure caused by mechanical systems such as furnaces, fans, clothes dryer, etc.

Freight damage to stoves and replacement parts is not covered by warranty and is subject to a claim against the freight carrier by the dealer.

FPI will not be liable for acts of God, or acts of terrorism, which cause malfunction of the appliance.

Performance problems due to operator error will not be covered by this warranty policy.

Products made or provided by other manufacturers and used in conjunction with the operation of this appliance without prior authorization from FPI, may nullify your warranty on this product.

Any alteration to the unit which causes sooting or carboning that results in damage to the interior / exterior faceplate is not the responsibility of FPI.

* Subsidy according to job scale as predetermined by FPI.

Register your Regency® warranty online www.regency-fire.com

Reasons to register your product online today!

- View and modify a list of all your registered products.
- Request automatic email notification of new product updates.
- Stay informed about the current promotions, events, and special offers on related products.

Installer: Please complete the following information

Dealer Name & Address: _____

Installer: _____

Phone #: _____

Date Installed: _____

Serial No.: _____



HZ33CE Video