

INSTALLATION AND OPERATING INSTRUCTIONS FOR THE

U31 GAS INSERT



Models:
U31-NG Natural Gas
U31-LP Propane

Dealer	_____
Installer	_____
Phone No.	_____
Date Installed	_____
Serial No.	_____

PLEASE KEEP THESE OPERATING INSTRUCTIONS FOR FUTURE REFERENCE

<p>This manual contains all of the necessary information to ensure the safe, efficient and dependable installation of your gas fireplace insert. Please read and understand these installation instructions before beginning your installation.</p>	<p>WARNING: Improper installation, adjustment, alteration, service or maintenance can cause injury or property damage. Refer to this manual for assistance or additional information consult a qualified installer, service agency or the gas supplier.</p>
<p>FOR YOUR SAFETY What to do if you smell gas:</p> <ol style="list-style-type: none"> 1) Do not try to light any appliance. 2) Turn off main gas supply. 3) Do not touch any electrical switch, do not use any phone in your building. 4) Immediately call your gas supplier from a neighbour's phone. Follow the gas supplier's instructions. 5) If you cannot reach the gas supplier, call the fire department. 	<p>FOR YOUR SAFETY Do not store or use gasoline or other flammable vapors and liquids in the vicinity of this or any other appliance.</p>

Fireplace Products International Ltd.
 6988 Venture St., Delta, B.C.
 Canada, V4G 1H4

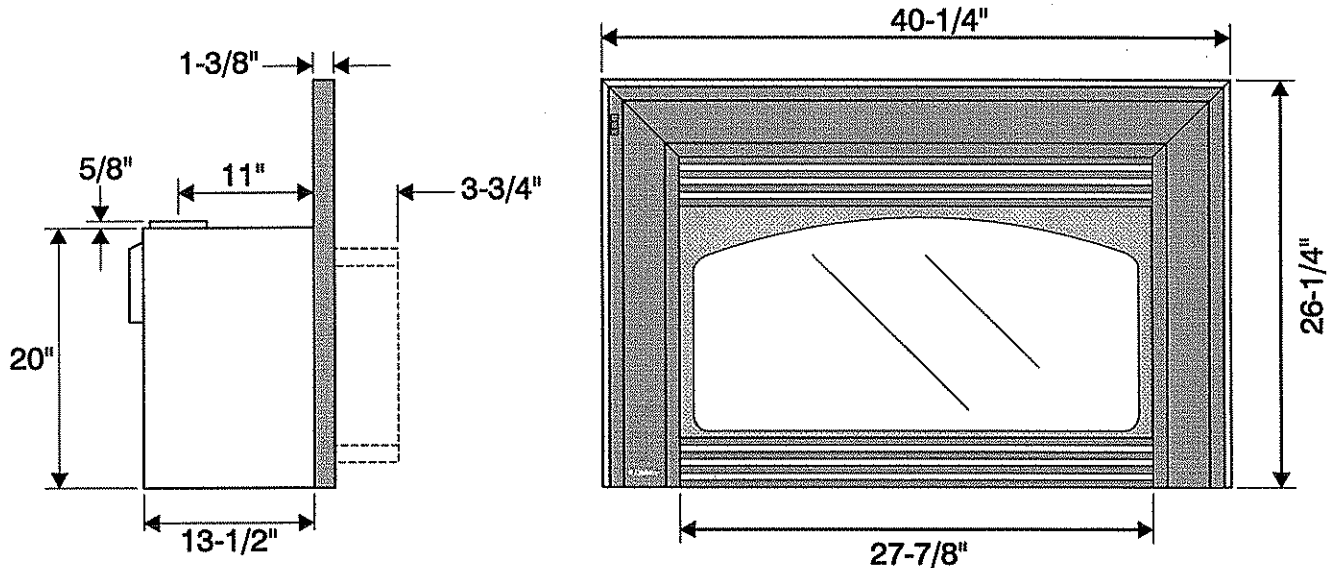
Tested by Warnock Hersey



REGENCY GAS FIREPLACE INSERT

TO THE NEW OWNER

Congratulations! You are the owner of a state-of-the-art Gas Insert by REGENCY. The Regency Gas Fireplace Series of hand crafted appliances has been designed to provide you with all the warmth and charm of a fireplace, at the flick of a switch. The models U31-NG and U31-LP of this series have been approved by Warnock Hersey for both safety and efficiency. As it also bears our own mark, it promises to provide you with economy, comfort and security for many trouble free years to follow. Please take a moment now to acquaint yourself with these instructions and the many features of your Regency Fireplace.



Note: Oversize faceplate is 44" x 28"

TABLE OF CONTENTS

REGENCY GAS FIREPLACE INSERT

Contents	Page	Contents	Page
Unit Dimensions	2	Bay Louvers	17
Safety Label	4-5	Flush Louvers	18
Installation Requirements		Gas Pressure Test	18
For Your Safety	6	Test for Flue Spillage	18
Gas Pressure Testing	6	Optional Wall Thermostat	19
Specifications	6	Optional Remote Control	19
General Safety Information	5	Operating Instructions	
Clearances		Operating Instructions	20
Minimum Fireplace Clearances	7	Lighting Procedure	20
Clearances to Combustibles	7	Shutdown Procedure	20
Wiring Diagram	8	Copy of Lighting Instruction Plate	21
Installation		First Fire	22
Materials Required	9	Automatic Convection Fan Operation	22
Installation Sequence	9	Normal Operating Sounds	
Venting	9	of Gas Appliances	22
- Draft Hood Connection	10	Maintenance	
- Combustion & Ventilation	10	Maintenance	23
Gas Connection	10	- Log Replacement	24
High Elevation	11	- Door Gasket and Glass Gasket	24
Gas Insert Aeration System	11	- Gold Plated Trim	24
Faceplate & Trim	11-12	- Door Glass Replacement	24
Optional Brick Panel	13	- Bay Glass Removal	24
Log Installation	13-15	- Flush Glass Replacement	24
Glass Front Installation		- Fan Maintenance	25
- Optional Bay Door (3 panel)	16	Warranty	
- Optional Flush Door (1 panel)	16	Warranty	27


SAFETY LABEL

This is a copy of the labels that accompany each U31Gas Insert. We have printed a copy of the contents here for your review. The safety label is located on a plate inside the base of the unit visible when the bottom louver is opened.

NOTE: Regency units are constantly being improved. Check the label on the unit and if there is a difference, the label on the unit is the correct one.

WH-U


DO NOT REMOVE THIS LABEL / NE PAS ENLEVER CETTE ÉTIQUETTE



WH-U

Serial No. / No de serie

Listed: GAS FIRED VENTED ROOM HEATER
Tested to: CAN 1-2.1-M86, ANSI Z21.11.1-1991,
GPN 004, CAN/CGA 2.17-M91

WARNOCK HERSEY
 **Certified for / Certifié pour: CANADA AND U.S.A.**
REPORT NO.476-1166 (May 1995), 476-1245 (Feb 1996)

NATURAL GAS FIREPLACE INSERT: MODEL U31-NG
Factory Equipped For Altitude 0-2000ft. (0-610m)

Min. supply pressure	5"	WC	(1.25kpa)
Low Setting Man. pressure	1.1"	WC	(0.27kpa)
Max. Manifold pressure	3.5"	WC	(0.87kpa)
Orifice size	38	DMS	(2.58mm)
Minimum input	17,000	BTU	(4.98kw)
Fan off output	21,500	BTU	(6.3kw)
Fan on Maximum output	22,800	BTU	(6.68kw)
Altitude	0-2000ft		(0-610m)
Maximum input	30,000	BTUH	(8.79Kw/h)

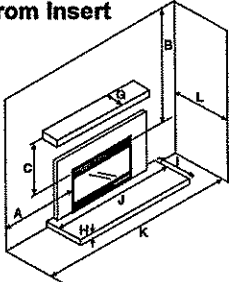
NATURAL GAS FIREPLACE INSERT: MODEL U31-NG
Field Convertible For Altitude 2000-4500ft.(610-1370m)
Use Conversion Kit (Part #400-970)

Min. supply pressure	5"	WC	(1.25 kpa)
Low Setting Man. pressure	1.1"	WC	(0.27 kpa)
Max. Manifold pressure	3.5"	WC	(0.87 kpa)
Orifice size	40	DMS	(2.49 mm)
Minimum input	14,600	BTU	(4.28Kw)
Fan off output	19,500	BTU	(5.71Kw)
Fan on Maximum output	20,500	BTU	(6.00Kw)
Altitude	2000-4500ft		(610-1370m)
Maximum input	27,200	BTUH	(7.97Kw/h)

GAS FIRED VENTED ROOM HEATER
 For installation in Solid Fuel Burning Fireplaces. This appliance must be installed in accordance with local codes, if any.
 If not, follow ANSI Z223.1 / CAN 1-B149
 Electrical Supply: 115 V, 56 WATTS, 60 Hz
 Not for use with solid fuel

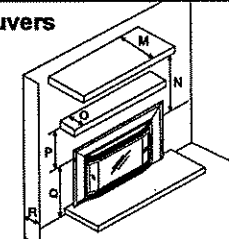
Minimum Clearances to Combustibles from Insert

Side wall	A	10"	(255mm)
Ceiling	B	47-1/2"	(1205mm)
Mantle	C	22"	(560mm)
Mantle width	G	12"	(305mm)
Alcove Width	K	48"	(1220mm)
Max. Alcove Depth	L	36"	(915mm)




Non-Combustible Hearth Extension

Hearth height	H	0"	(0mm)
Hearth depth	I	16"	(405mm)
Hearth width	J	40"	(1015mm)



Mantel Clearances with Bay & Flush Louvers in Masonry Fireplace Installation

Mantel width	M	12"	(305mm)
Mantel height	N	17"	(432mm)
Mantel width	O	3-1/2"	(89mm)
Mantel height	P	13"	(330mm)
Floor	Q	19-1/2"	(495mm)
Side wall	R	6"	(152mm)



Fireplace Products International Ltd., Delta BC, CANADA
MADE IN CANADA / FABRIQUE AU CANADA 908-564

WH-U

DO NOT REMOVE THIS LABEL / NE PAS ENLEVER CETTE ETIQUETTE



WH-U

Serial No. / No de serie

Listed: GAS FIRED VENTED ROOM HEATER

Tested to: CAN 1-2.1-M86, ANSI Z21.11.1-1991,

GPN 004, CAN/CGA 2.17-M91

WARHOCK HERSEY



Certified for / Certifiee pour: CANADA AND U.S.A.

REPORT NO.476-1166 (May 1995), 476-1245 (Feb 1996)

PROPANE GAS FIREPLACE INSERT: MODEL U31-LP

Factory Equipped For Altitude 0-2000ft. (0-610m)

Min. supply pressure	12"	WC	(2.99kpa)
Low Setting Man. pressure	2.9"	WC	(0.72kpa)
Max. Manifold pressure	11"	WC	(2.74kpa)
Orifice size	53	DMS	(1.5mm)
Minimum input	15,000	BTU	(4.395Kw)
Fan off output	20,000	BTU	(5.86Kw)
Fan on Maximum output	21,200	BTU	(6.21Kw)
Altitude	0-2000ft		(0-610m)
Maximum input	27,500	BTUH	(8.057Kw/h)

PROPANE GAS FIREPLACE INSERT: MODEL U31-LP

Field Convertible For Altitude 2000-4500ft.(610-1370m)

Use Conversion Kit (Part # 400-971)

Min. supply pressure	12"	WC	(2.99kpa)
Low Setting Man. pressure	2.9"	WC	(0.72kpa)
Max. Manifold pressure	11"	WC	(2.74kpa)
Orifice size	54	DMS	(1.4mm)
Minimum input	14,000	BTU	(4.10Kw)
Fan off output	17,000	BTU	(4.98 Kw)
Fan on Maximum output	18,000	BTU	(5.27 Kw)
Altitude	2000-4500ft		(610-1370m)
Maximum input	23,400	BTUH	(6.86 Kw/h)

GAS FIRED VENTED ROOM HEATER

For installation in Solid Fuel Burning Fireplaces. This appliance must be installed in accordance with local codes, if any.

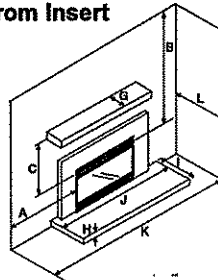
If not, follow ANSI Z223.1 / CAN 1-B149

Electrical Supply: 115 V, 56 WATTS, 60 Hz

Not for use with solid fuel

Minimum Clearances to Combustibles from Insert

Side wall	A	10"	(255mm)
Ceiling	B	47-1/2"	(1205mm)
Mantle	C	22"	(560mm)
Mantle width	G	12"	(305mm)
Alcove Width	K	48"	(1220mm)
Max. Alcove Depth	L	36"	(915mm)

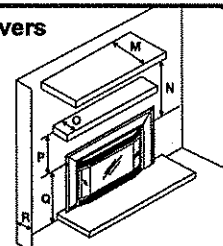


Non-Combustible Hearth Extension

Hearth height	H	0"	(0mm)
Hearth depth	I	16"	(405mm)
Hearth width	J	40"	(1015mm)

Mantel Clearances with Bay & Flush Louvers in Masonry Fireplace Installation

Mantel width	M	12"	(305mm)
Mantel height	N	17"	(432mm)
Mantel width	O	3-1/2"	(89mm)
Mantel height	P	13"	(330mm)
Floor	Q	19-1/2"	(495mm)
Side wall	R	6"	(152mm)



Fireplace Products International Ltd. Delta BC, CANADA

MADE IN CANADA / FABRIQUE AU CANADA

908-565

INSTALLATION REQUIREMENTS

IMPORTANT: SAVE THESE INSTRUCTIONS

The Regency Gas Fireplace must be installed in accordance with these instructions. Carefully read all the instructions in this manual first. Consult the building authority having jurisdiction to determine the need for a permit prior to starting the installation.

NOTE: Failure to follow the instructions could cause a malfunction of the heater which could result in death, serious bodily injury, and/or property damage. Failure to follow these instructions may also void your fire insurance and/or warranty. This appliance can be used with a thermostat.

FOR YOUR SAFETY

This appliance requires air for proper combustion. Always provide adequate combustion and ventilation air. Follow instructions and information in CAN/CGA B149 (in Canada) or the National Fuel Gas Code ANSI Z223.1 (in the USA), regarding requirements for combustion and ventilation air.

GAS PRESSURE TESTING

The appliance must be isolated from the gas supply piping system by closing its individual manual shut off valve during any pressure testing of the gas supply piping system at test pressures equal to or less than 1/2 psig. (3.45 kPa).

SPECIFICATIONS

At pressures over 1/2 psig, the pipe to the unit must be disconnected.

Gas Input Capacity:

Natural Gas 30,000 btu/h

Propane 27,500 Btu/h

Min. Output (Fan Off)

Natural Gas 21,500 btu/h

Propane 20,000 btu/h

Max. Output (Fan On)

Natural Gas 22,800 btu/h

Propane 21,200 btu/h

Fuels: Approved for use with both natural gas, and propane. Approved as is for use at 0' to 2,000'. With a field installed conversion kit 0' - 4,500'.

Electrical: 115 V.A.C. system.

Circulation Fan: Variable speed, 127 CFM.

Log Set: Ceramic fibre, 4 per set.

Vent System: Minimum 4" B-Vent or listed gas fuel vent liner.

Installation into a Solid Fuel Burning Fireplace

The U31 Gas Inserts have been tested and approved to be vented into any masonry fireplace or approved solid fuel burning factory built fireplace that will allow the insert to physically fit into the firebox. Refer to page 6 for minimum fireplace clearances.

If the factory built fireplace height is too low for your Insert, you may remove the smoke baffle plate and damper from the factory built fireplace as long as these items are saved and are reinstalled in the event that the Insert is removed. NOTE: Any alterations made to the listed solid fuel burning factory built fireplace may void the listing of the fireplace.

BEFORE YOU START

Safe installation and operation of this appliance requires common sense, however, we are required by the Canadian Safety Standards and ANSI Standards to make you aware of the following:

General Safety Information

- 1) The appliance installation must conform with local codes or in the absence of local codes, with CAN/CGA B149 (in Canada) or the National Fuel Gas Code ANSI Z223.1. This appliance should be installed by a qualified gas fitter technician only.
- 2) **Installation and repair should be done by a qualified service person.**
- 3) The appliance should be inspected before use and at least annually by a professional service person. More frequent cleaning may be required due to excessive lint from carpeting, bedding material, animal hair, etc. It is imperative that control compartments, burners and circulating air passageways of the appliance be kept clean.
- 4) See general construction and assembly instructions. This appliance may only be installed in a vented, noncombustible fireplace.
- 5) Always connect this insert to a vent system venting to the outside of the building envelope. Never vent to another room or inside a building. Make sure that the vent is properly sized and is of adequate height to provide the proper draft.
- 6) Inspect the venting system annually for blockage and any signs of deterioration.
- 7) Any glass removed for servicing must be replaced prior to operating the appliance.
- 8) To prevent injury, do not allow anyone who is unfamiliar with the operation to use the fireplace.

INSTALLATION REQUIREMENTS

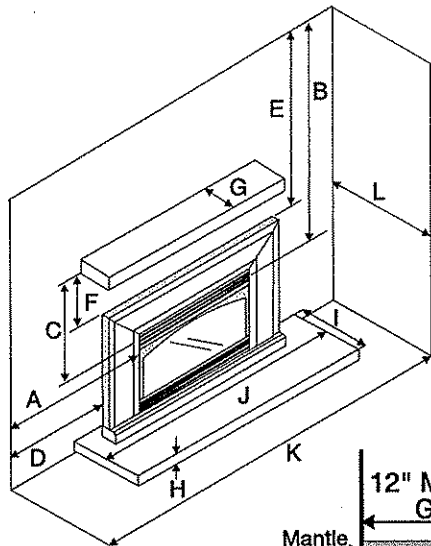
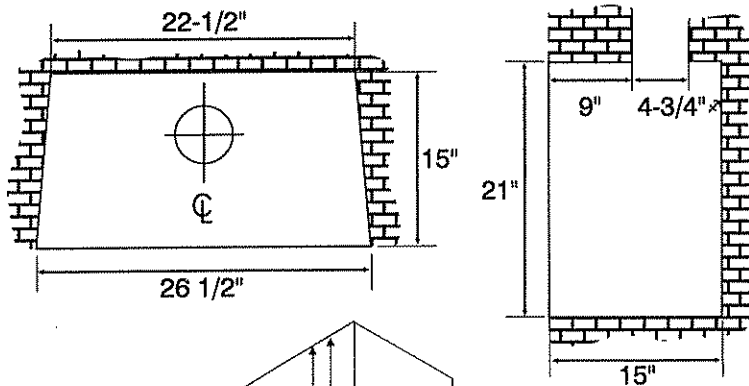
9) Due to high temperatures, the appliance should be located out of high traffic areas and away from furniture and draperies. Children and adults should be alerted to the hazards of high surface temperatures, especially the fireplace glass and

gold trims, and should stay away to avoid burns or clothing ignition. Young children should be carefully supervised when they are in the same room as the appliance. Clothing or other flammable material should not be placed on or near the appliance.

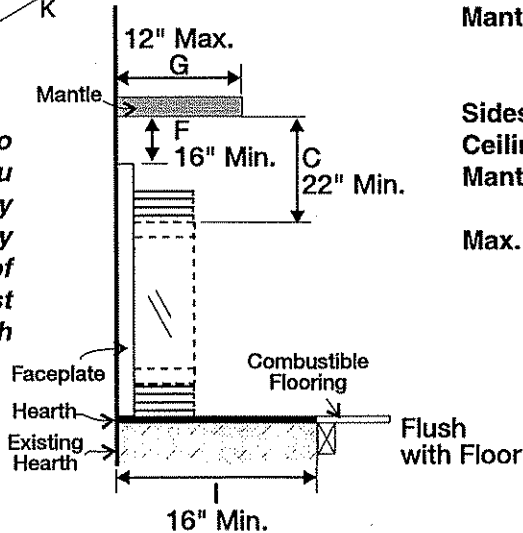
CLEARANCES & DIMENSIONS

Minimum Fireplace Clearances & Dimensions

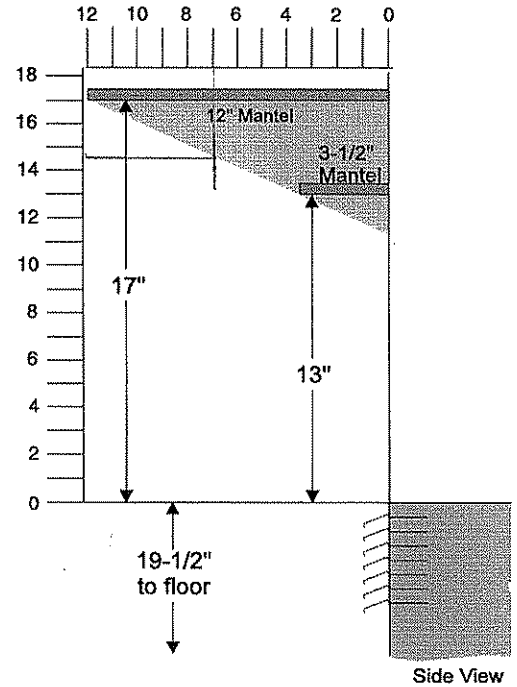
The minimum fireplace clearances & dimensions for the Regency gas fireplace insert are shown in the following diagrams:



If you are using a zero clearance kit you cannot use the bay louver with the bay front. In this type of application you must use flush louvers with the bay front.



Mantel Clearances with Bay & Flush Louvers in Masonry Installation

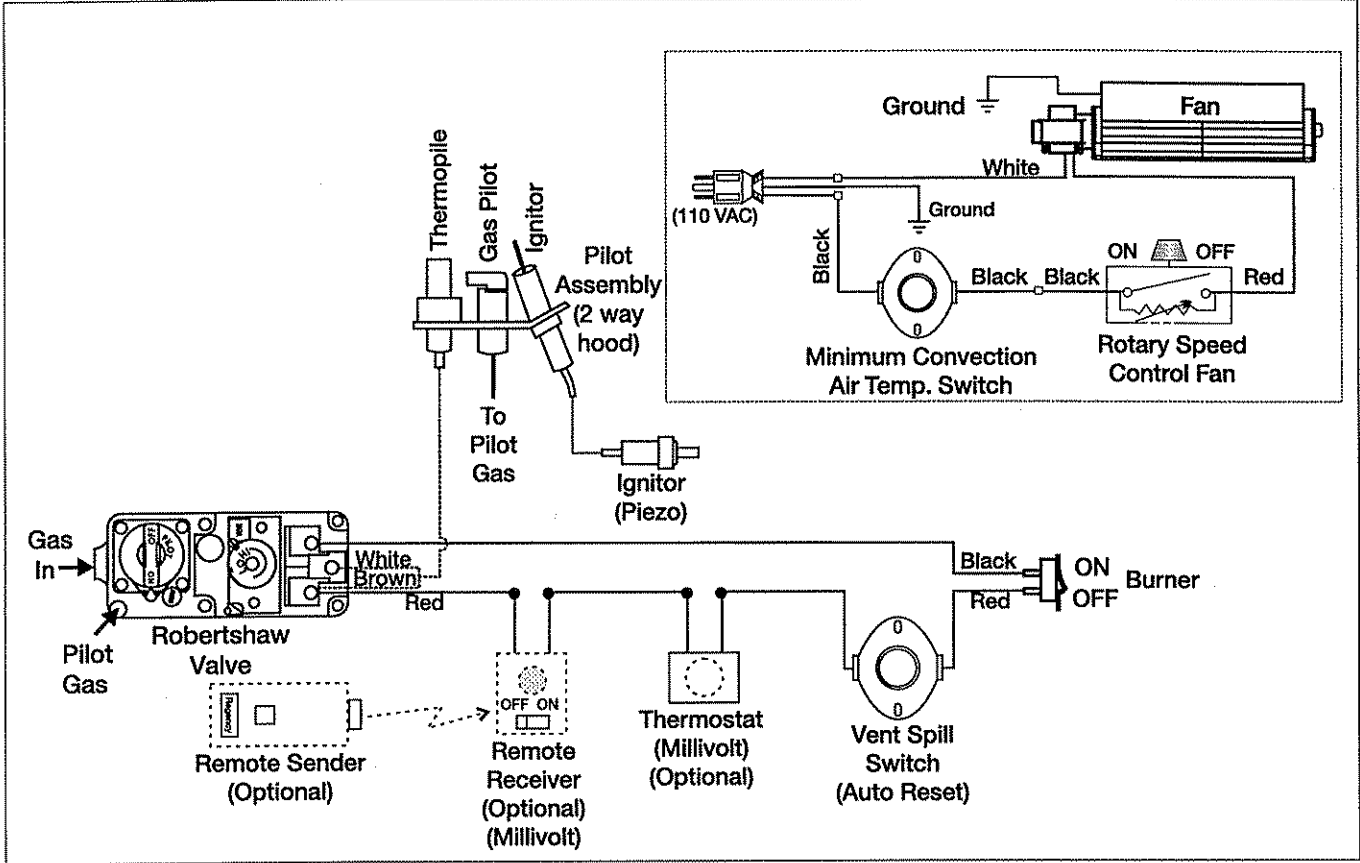


Clearances to Combustibles

	From Unit	
Sides	A	10" / 255 mm
Ceiling	B	47.5" / 1205 mm
Mantle	C	22" / 560 mm
	From Standard Surround (26" x 40")	
Sides	D	4" / 100 mm
Ceiling	E	41.5" / 1055 mm
Mantle		16" / 405 mm
Max. Mantle Width	G	12" / 305 mm
Hearth Height	H	0" / 0 mm
Hearth Depth	I	16" / 405 mm
Hearth Width	J	40" / 1015 mm
Min. Alcove Width	K	48" / 1220 mm
Max. Alcove Depth	L	36" / 915 mm

INSTALLATION REQUIREMENTS

WIRING DIAGRAM



MATERIALS REQUIRED

No electrical power supply is required for the gas control to operate. A 115 Volt AC power cord is hooked up to the fan. Plug the 3 wire cord into a suitable receptacle. **Do not cut the ground terminal off under any circumstances.** When connected with 115 volts, the appliance must be electrically grounded in accordance with local codes, current version of CSA C22.1 (in Canada) or in the absence of local codes, with the National Electrical Code ANSI/NFPA 70-1987.

NOTE: This unit is equipped with a heat sensor thermodisc which will prevent the blower from operating until the unit reaches the correct temperature.

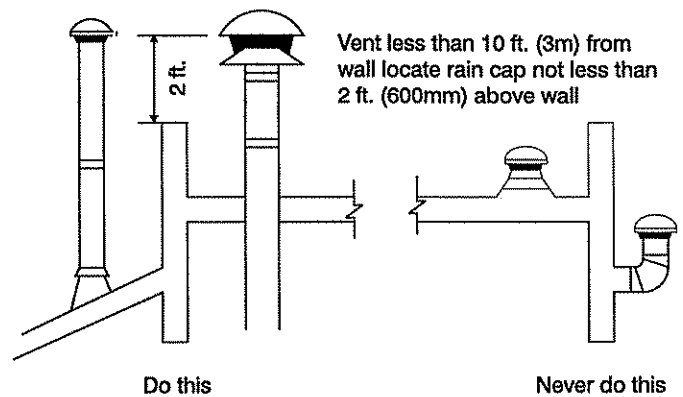
INSTALLATION SEQUENCE

The Regency Gas Insert is installed as listed below.

- 1) Install the flue or liner to the sliding draft hood. See page 10.
- 2) Slide the unit into the fireplace. Attach draft hood to the insert.
- 3) Make the gas connections (see page 10).
- 4) Assemble and install the faceplate and trim. See pages 11 & 12.
- 5) Install the optional brick panels. See page 13.
- 6) Install the 4 logs and embers. See page 13.
- 7) Install the glass front (flush or bay). See pages 16.
- 8) Install both louvers. See page 17.
- 9) **Final check:** Before leaving this unit with the customer, the installer must ensure that the appliance is firing correctly. This includes:
 - a) Clocking the appliance to ensure the correct firing rate.
 - b) Adjusting the primary air, if required, to ensure that the flame does not carbon. See page 11.
 - c) Ensuring that the appliance is venting correctly. See page 18.

Periodically check that the vent is unrestricted and an adequate draft is present when the unit is in operation. (See page 16 for spillage test.)

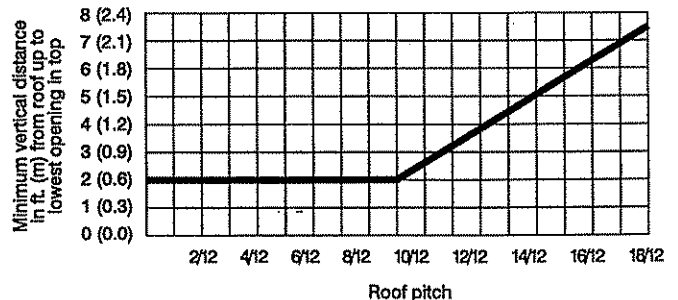
Before installing vent system ensure that the damper plate is open and secure to prevent the damper plate from falling down and crushing the liner.



VENTING

THE APPLIANCE MUST NOT BE CONNECTED TO A CHIMNEY FLUE SERVING A SEPARATE SOLID FUEL BURNING APPLIANCE.

This appliance is designed to attach to a 4" diameter type B-Vent or listed gas fuel type vent liner running the full length of the chimney. A minimum flue height of 12 feet is recommended. B-Vent must be supported by a vent support - supplied by vent manufacturer. See chart on this page for minimum distances from roof.

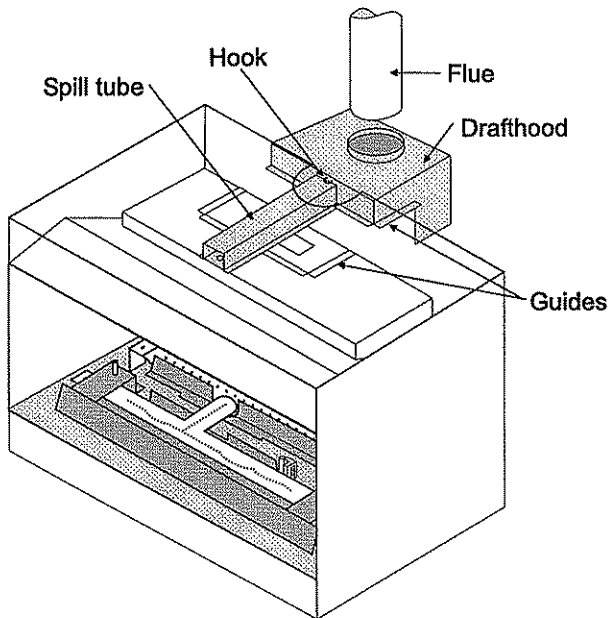


The Regency Insert incorporates its own internal draft hood, so no additional external draft hood is required.

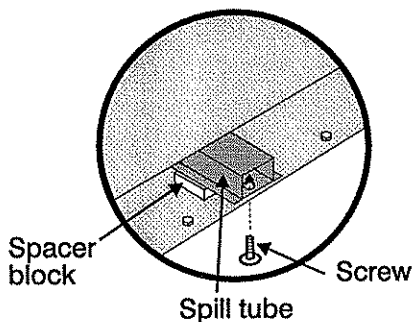
INSTALLATION

Draft Hood Connection

- 1) Attach the vent to the flue collar on the detachable draft hood. The flue collar of the appliance will fit inside a standard vent and may be fastened directly to the vent by sheet metal screw.



- 2) Before pushing the appliance into position inside the fireplace, align the draft hood with the guides on the insert top and push forward. While pushing the unit back into place keep pulling the draft hood forward until the screw hole in the spill tube aligns with the screw hole in the top of the firebox. The screw is secured through the inside top of the firebox into the bottom of the spill tube. (If screw holes do not line up then draft hood is not positioned correctly.)



NOTE: final gas connection should be after unit is in place to avoid damage to line when pushing the unit into position.

Combustion and Ventilation Air

WARNING: This appliance needs fresh air for safe operation and must be installed with provisions for adequate combustion and ventilation air available to the room in which it is to be operating.

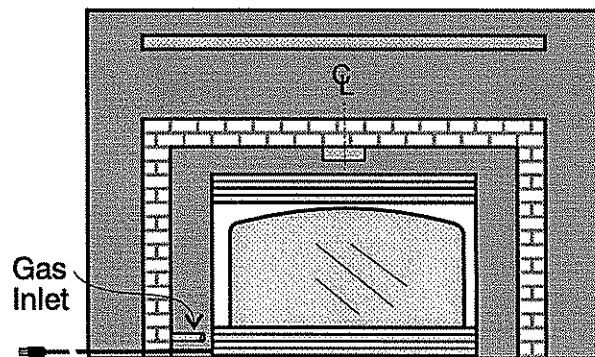
Follow CAN/CGA B149 (in Canada) or ANSI Z223.1 (in the USA) requirements, and any local codes or regulations of the enforcing authority.

Air for combustion is drawn in through the front of the unit, therefore, the front of the unit must be kept clear of any obstructions.

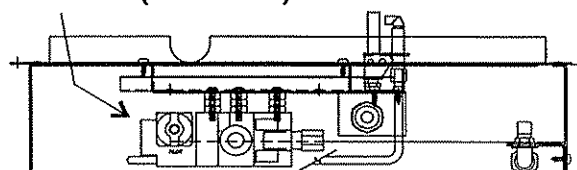
GAS CONNECTION

GAS CONNECTION WARNING:
Only persons licensed to work with gas piping may make the necessary gas connections to this appliance.

- 1) If the appliance is to be installed into an existing chimney system, thoroughly clean the masonry or factory built fireplace.
- 2) The appliance is provided with an opening on the left hand side of the control compartment. A 1/2" gas supply pipe must be brought near this inlet hole. (See Diagram 3 on page 12)



Gas Valve (inlet side)



- 3) Locate the center point where the vent will pass through the chimney above the appliance. Move the appliance into the exact location where it is to be installed. Ensure that the Insert is level.
- 4) The installer must provide a valve with a plugged tapping, accessible for test gauge connection, immediately upstream of the gas supply connection to the appliance.

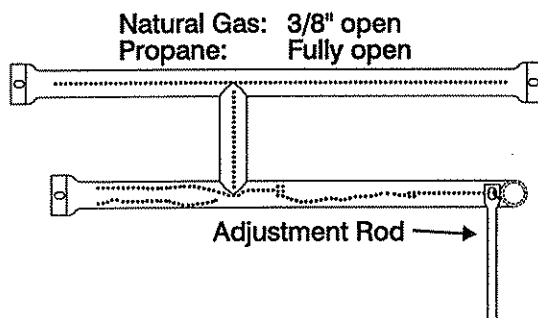
HIGH ELEVATION

This unit is approved in Canada for altitude 0 to 2000 ft. with the orifice supplied. For 0' - 4500' use the optional field conversion kit (Part #400-970 for Natural Gas units and Part #400-971 for Propane units). In USA refer to ANSI Z223.1-1988, Appendix F, for re-sizing orifice.

GAS INSERT AERATION SYSTEM

The aeration adjustment rod is attached to the air shutter which is located just above the orifice bracket. The rod is used to adjust the aeration on the main burner without having to take the appliance apart.

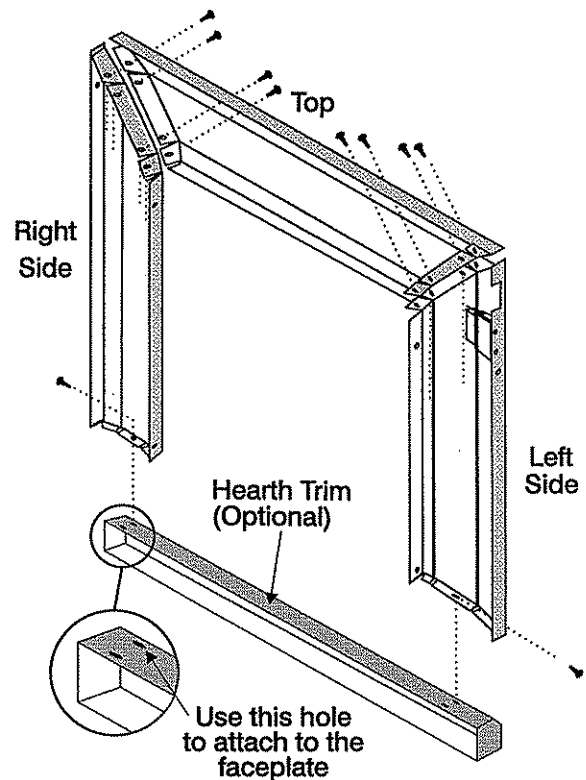
The burner aeration is factory set but may need adjusting due to either the local gas supply, air supply or altitude. This adjustment is performed by the installer. (Pull the rod for a more yellow flame, or push the rod to make the flame bluer.)



Note: any damage due to carboning resulting from improperly setting the aeration controls is NOT covered under warranty.

FACEPLATE & TRIM INSTALLATION

- 1) Lay the faceplate panels flat, face down on something soft so they don't scratch.
- 2) Take the top faceplate and align the holes in it with the holes in the side panels. Using the screws provided, attach from the top of the panel (the holes in the top panel are slightly larger than the holes in the side panel to facilitate easier installation). Diagram 1.



*Rear View: Faceplate Assembly
Diagram 1*

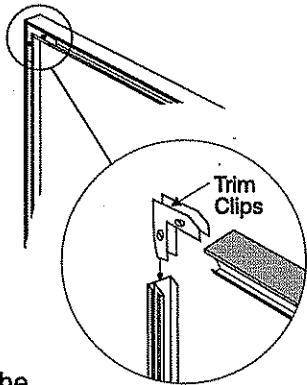
Hint: Don't tighten the screws down completely at this point, continue on with steps 3 and 4 and do a trial fit to the unit. Make any necessary adjustments and when it fits properly then tighten down the screws.

Hearth Trim Option: Hearth Trim is an option that can be used to finish off the installation when the bottom of the fireplace is higher than the hearth or to raise the fireplace. Attach the Hearth Trim to the bottom of the faceplate side panels with the screws provided. See Diagram 1.

INSTALLATION

- 3) Using the connectors provided, join the left side trim (with the ON/OFF switch) to the top trim. Diagram 2. Connect the right side trim to the top trim.

- 4) Place the trim on the assembled faceplate panels, aligning the wire connections from the switches with the notch on the left side panel.



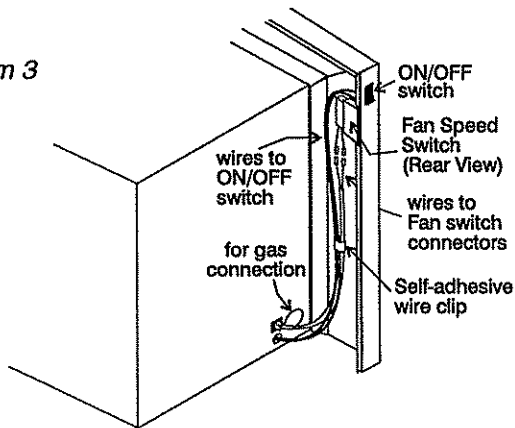
Rear View: Trim Assembly
Diagram 2

- 5) Connect the fan switch wires by taking the black and red wires with the male ends (in the grey harness) and connect them with the wire connectors from the fan speed control.

- 6) Connect the ON/OFF switch wires by taking the black and red wires with the female ends and connect them to the ON/OFF switch.

- 7) Tuck the wires into the faceplate to keep them away from the insert using the clip provided. Attach the clip to the rear of the faceplate to ensure that the wires do not touch the side of the unit. Diagram 3.

Diagram 3



- 8) The power cord should be run behind the faceplate panel.

- 9) Attach the brass trim to the faceplate by drilling a 1/8" hole through into the faceplate using the hole in the trim as a guide. Fasten the trim to the faceplate panels using the plated screws. Diagram 4.

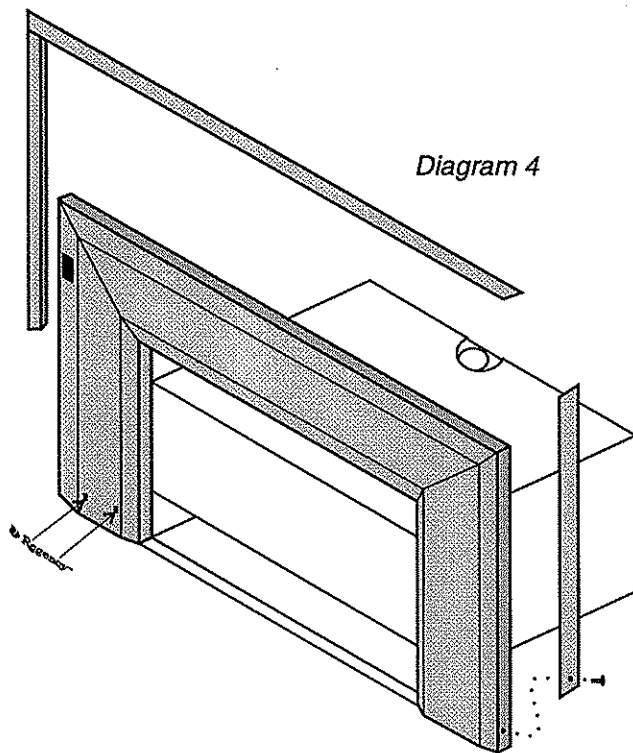
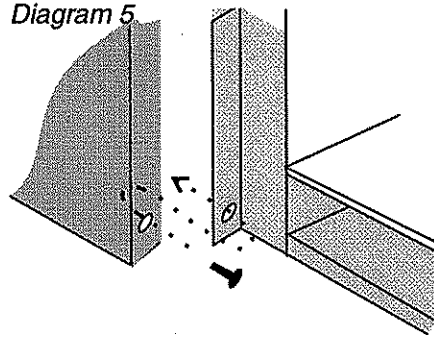


Diagram 4

- 10) Attach the faceplate panels to the insert body using the 4 remaining black screws. Diagram 5.

- 11) Push the Regency logo plate into the two holes in the bottom left corner of the faceplate.

Diagram 5



OPTIONAL BRICK PANEL

- 1) Unwrap the brick pattern panels from the protective wrapping.
- 2) Remove the glass front if it is already installed (see manual).

Diagram 1

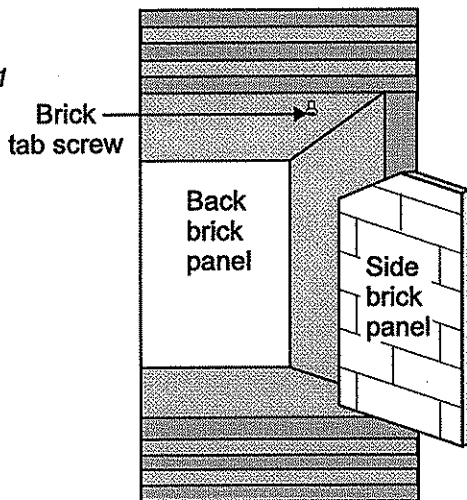
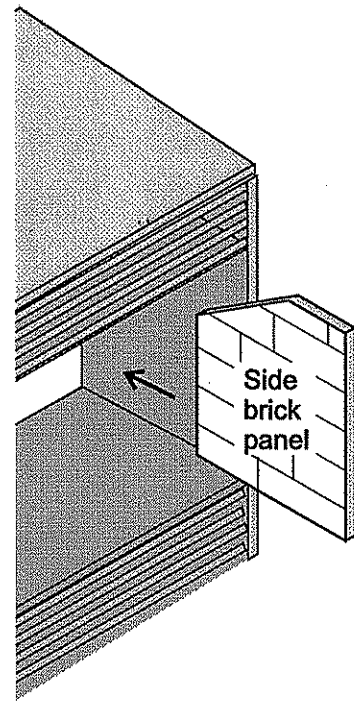
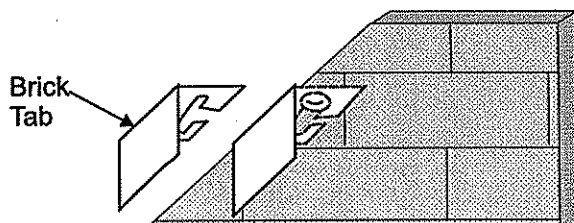


Diagram 3



- 3) Put the rear brick panel flat against the back of the unit.
- 4) Before installing the side brick panels, loosen the screws for the brick tabs enough so that you can slide the brick tabs on to the screws easily but that the tabs are secure. For the location of the side brick tab screws see diagram 1.
- 5) Remove the brick tabs and slide the side brick panels into position. See diagram 3. Install the brick tabs. See diagram 2.

Diagram 2



LOG AND EMBER INSTALLATION

Read the instructions below carefully and refer to the diagrams. If logs are broken do not use the unit until they are replaced. Broken logs can interfere with the pilot operation.

The gas log kit contains the following:

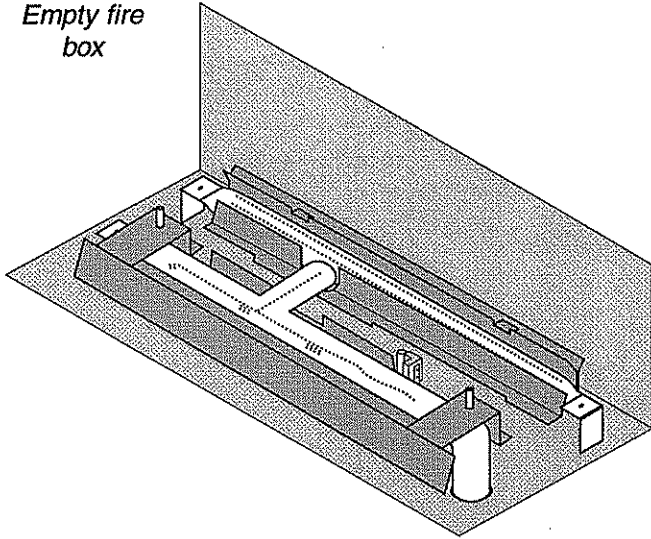
- a) Front log -part #902-163
- b) Rear log -part #902-164
- c) Small cross logs (2) -part #902-182
- d) Embers -part #902-151
- e) Rock wool -part #902-153
- f) Vermiculite -part #902-179
(set of 4 logs -part #400-949)

Note: If you are going to install the flush glass front, install the glass support plate (see manual) prior to installing the logs.

- 1) Carefully remove the logs from the box and unwrap them. The logs are fragile, handle with care - **do not force into position.**

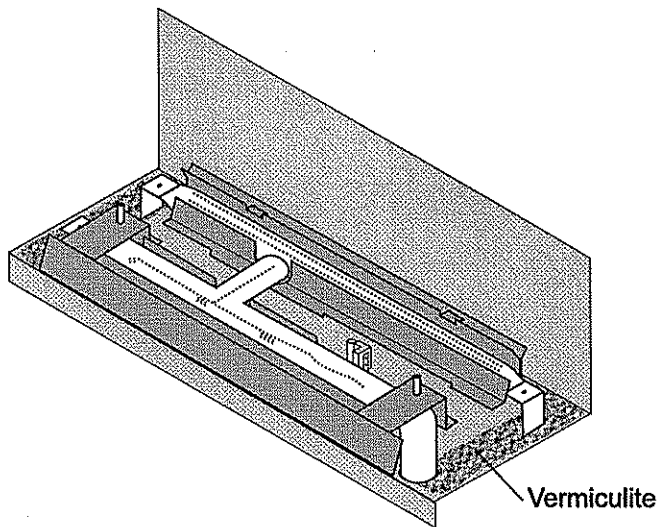
INSTALLATION

Empty fire
box



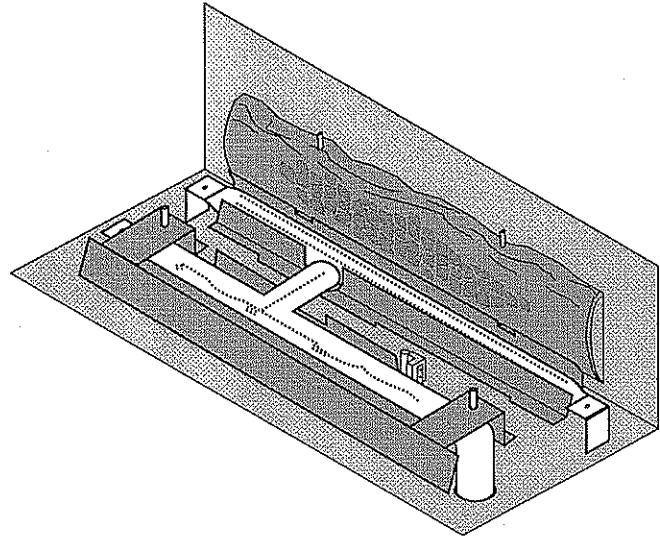
- 2) Sprinkle the vermiculite along the bottom sides of the stove. DO NOT put it on the ember tray, on the pilot or in the holes in the bottom of the stove. See diagram 1.

Diagram 1



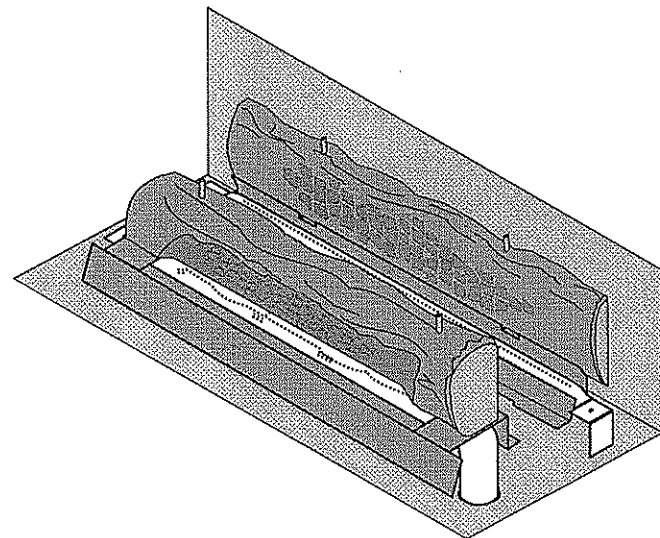
- 3) Place the rear log on the rear log support with the flat side to the back. See diagram 2.

Diagram 2



- 4) Place the front log on the two front log support pins. See diagram 3.

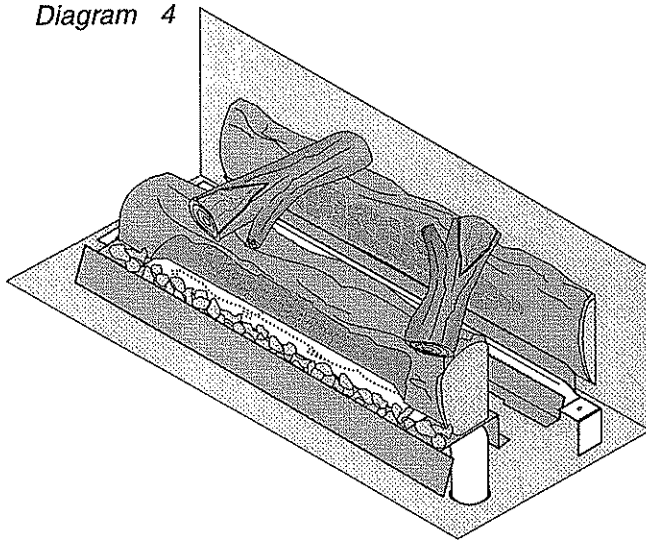
Diagram 3



INSTALLATION

- 5) The small cross logs are placed on the pins in the position shown in diagram 4.
- 6) Put embers in the front ember tray. Do not cover burner ports with embers (burner ports are the little holes on top of the burner tube). See diagram 4.
- 7) Pull off ember sized pieces of the rock wool and gently place on top of the embers and burner. Try to bridge the rockwool from the embers to the burner so as little of the burner is touched as is possible. **Do not cover the larger burner ports with rockwool or embers.** See diagram 5.
- 8) Test fire to ensure proper light off (make sure flame flows smoothly from one end of burner to the other. If there is any flame hesitation, check that area for any blockage of the burner port).
- 9) Install flush glass or bay glass as per instructions in this manual.

Diagram 4



Side view of logs

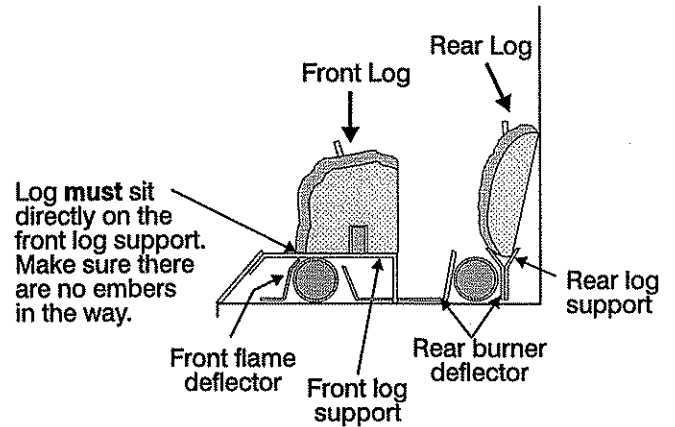
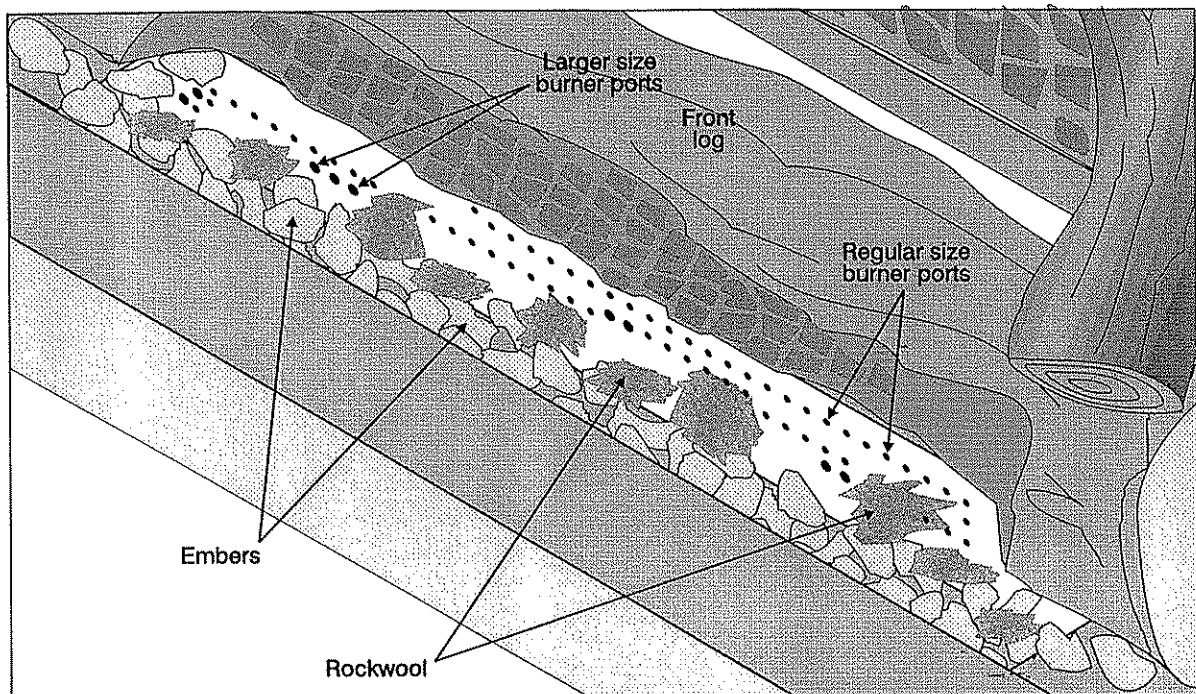


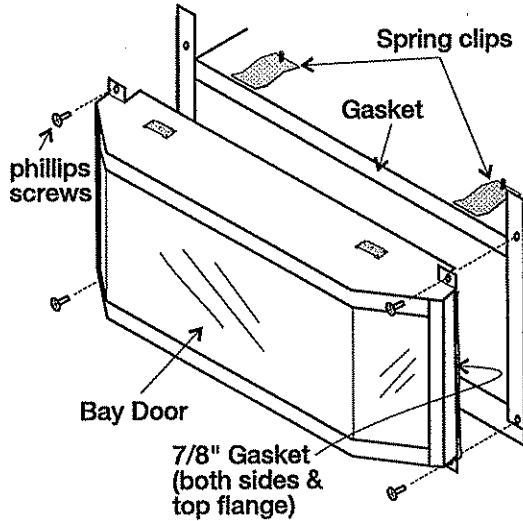
Diagram 5



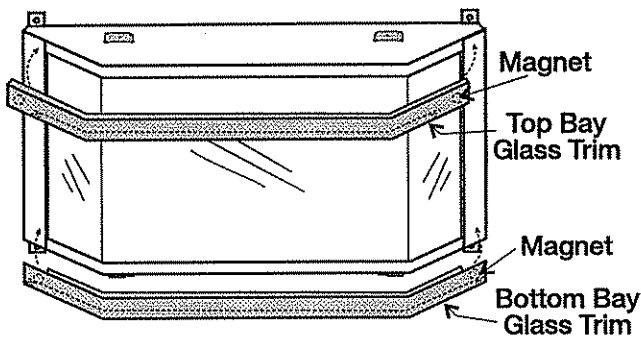
INSTALLATION

BAY FRONT INSTALLATION (optional Part # 400-578)

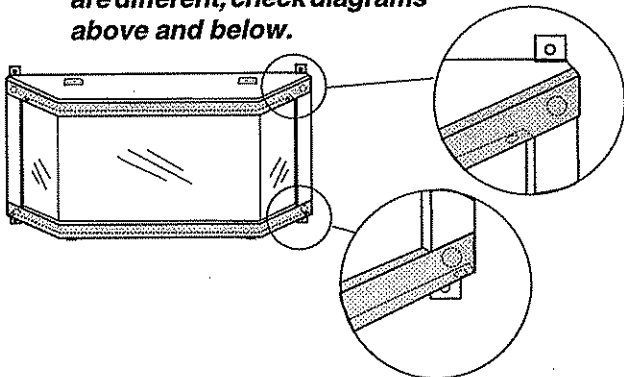
- 1) Place the bay door on the unit sliding over the gasket and under the 2 spring clips.
- 2) Install the 4 phillips head screws.



- 3) Position 2 magnets on the back of each trim piece close to the ends. Place the top and bottom trim pieces on the bay front.
- 4) Install top and bottom louvers. See page 17 for installation instructions.



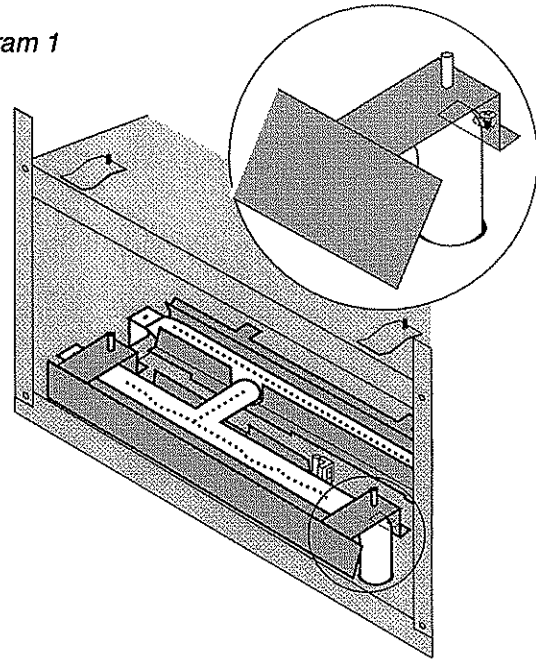
Note: the top and bottom trim pieces are different, check diagrams above and below.



FLUSH FRONT INSTALLATION (optional Part # 400-933)

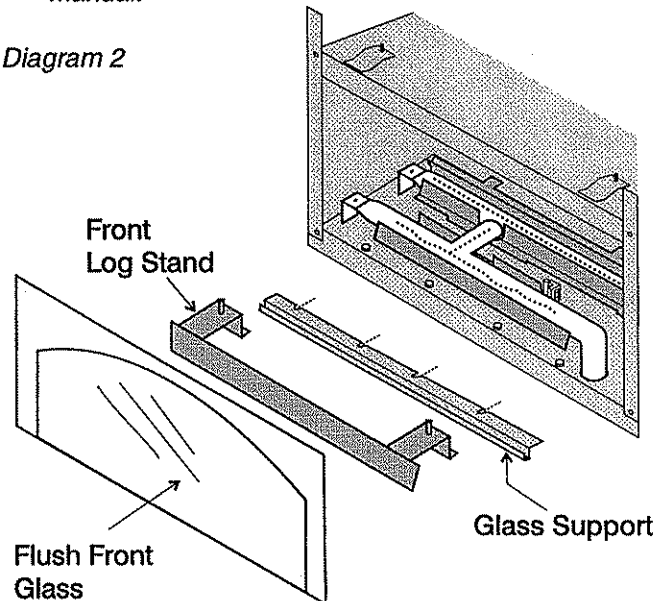
- 1) Remove the front log stand by loosening the 2 screws shown in diagram 1.

Diagram 1



- 2) Install the glass support and secure using the 4 hex head screws supplied with the Flush Door. Replace the front log stand and tighten the 2 screws.
- 3) Install Logs before going on to the next step. See the Log Installation instruction sheet or your insert manual.

Diagram 2



- 3) Install the **bottom glass trim** by hooking the trim into the glass support plate. The trim will not fit into place if the glass is installed first. See diagram 4.
- 4) Place the bottom of the flush glass on the glass support.
- 5) Secure the glass with the two glass clips at the top corners of the glass. Secure glass clips with the screws provided. Do not over tighten as this could break the glass. See diagram 3.
- 6) Slide in the top glass trim under the spring clips. See diagram.

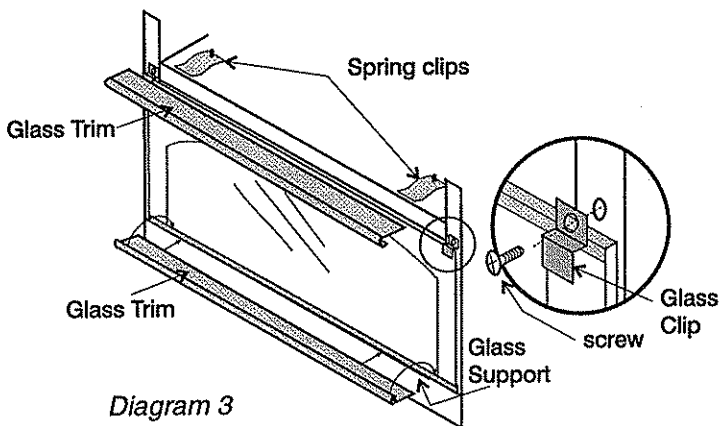


Diagram 3

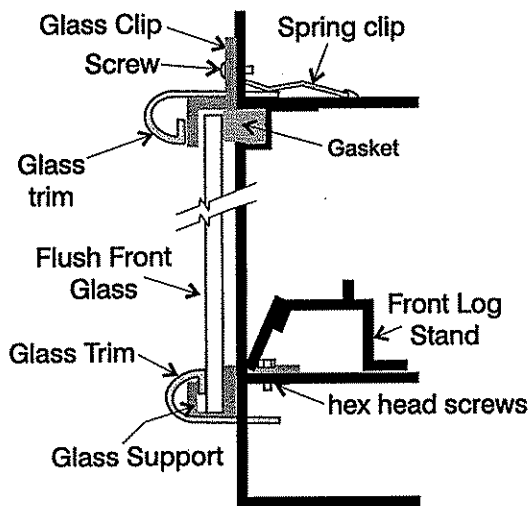
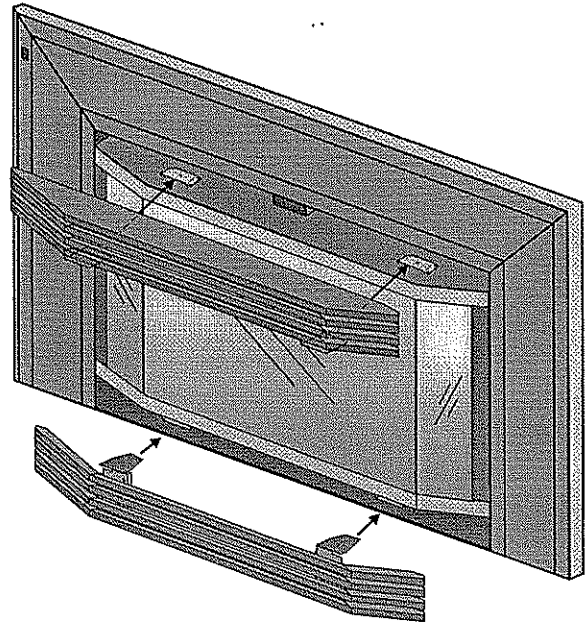


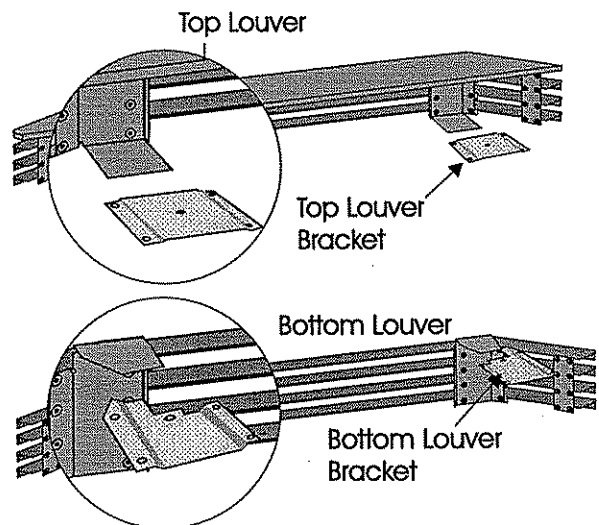
Diagram 4

BAY LOUVERS

- 1) Install top louver by sliding the two bracket clips into the brackets located on top of the bay door. See below. The fitted louver leaves a small gap between faceplate bottom and louver top.



Note: Top and bottom louvers and brackets are different. See diagram below.



- 2) Install bottom louver by sliding the two bracket clips into the brackets located underneath the bay door.

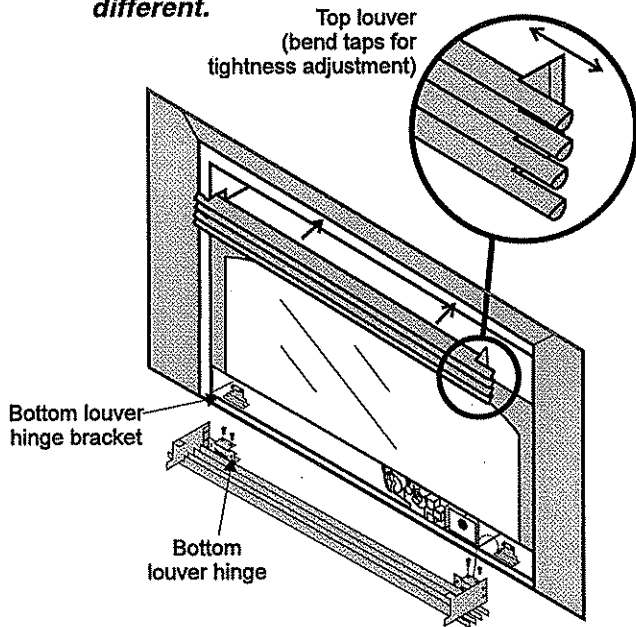
Important: Bay front and louvers cannot be used on a Zero Clearance Kit.

INSTALLATION

FLUSH LOUVERS

- 1) The top louver is held in place by friction fit, if the louver needs to be adjusted; bend the bracket out as shown in the diagram.
- 2) The bottom louver has a hinge that must be attached to the hinge bracket on the bottom of the unit. See Diagram.

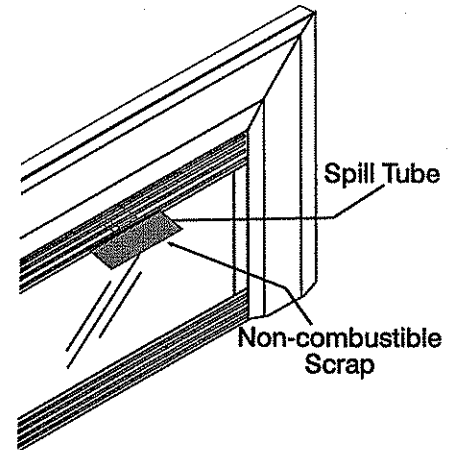
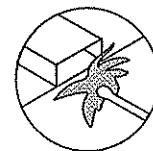
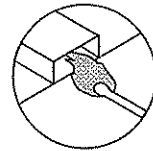
Note: Top and bottom louvers and brackets are different.



TEST FOR FLUE SPILLAGE

A " spillage" test must be made before the installed unit is left with the customer. Follow the procedure below:

- 1) Start all exhaust fans in the home and then close all external doors and windows in the house.
- 2) Light the unit and set controls to maximum. Turn fan off.
- 3) After five minutes, test that there is a "pull" on the flue by placing a smoke match, cigarette or similar device which gives off smoke, in front of the spill tube. To ensure a valid test, place a scrap piece of sheet metal (or other noncombustible material) between the spill tube and the upper louver, this will prevent the natural convection of the unit from interfering with the test. See diagrams below.



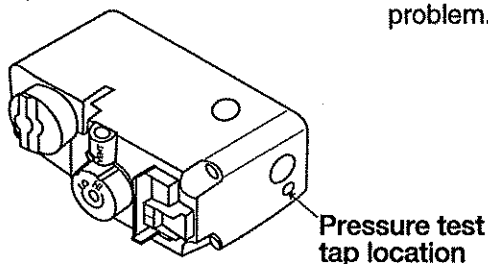
GAS PRESSURE TEST

The unit is preset to give the correct gas input at the specified manifold pressures shown on the label. The maximum gas manifold pressure is:

Natural Gas	3.5" w.c.
Propane	11.0" w.c.

The manifold pressure is controlled by a regulator built into the gas control, and should be checked at the pressure test point. This is a 1/8" NPT plugged tapping located on the gas control, near the outlet to the main burner.

The pressure check should be carried out with the unit burning and the setting should be within the limits specified.



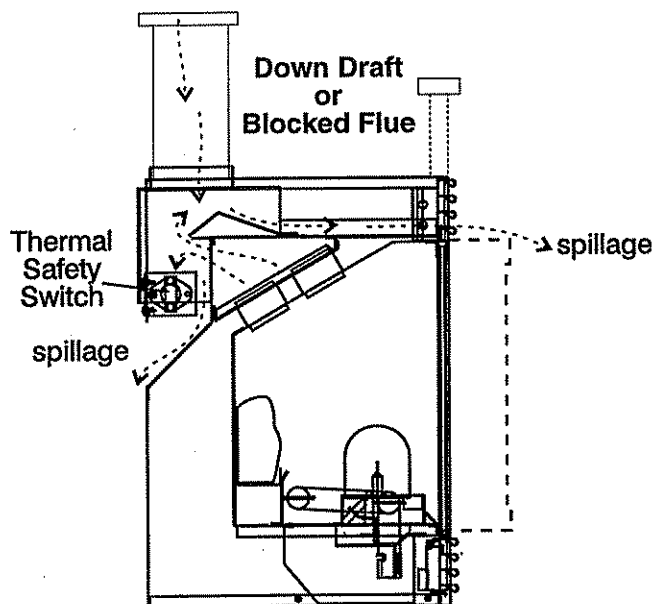
The smoke should be drawn into the spill tube. If the smoke is still not drawn into the spill tube, turn the unit off and check for the cause of the lack of draft. If necessary, seek expert advice.

For wind turbulent sites, a wind cap may remedy the problem.

Note: The thermally activated safety switch will sense the change in temperature and shut down the gas valve in the event of a severe downdraft or a blocked or disconnected vent. The switch acts as a safety shut-off to prevent a build-up of carbon monoxide. If the flue is blocked or has no "draw", the switch will automatically shut off the supply of gas within 5 - 10 minutes. Tampering with the switch can result in carbon monoxide (CO) poisoning and possible death.

If the heater turns off because of lack of draft during the spillage test, check for the cause and if necessary, seek expert advice.

The thermally actuated safety switch will automatically reset after it has cooled off. The switch will continue to cycle until the draft problem is corrected. **DO NOT BYPASS OR DISCONNECT THIS SWITCH.**



OPTIONAL WALL THERMOSTAT INSTALLATION

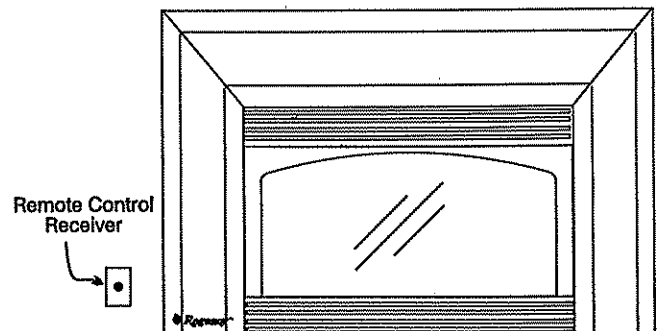
A wall thermostat may be installed if desired, follow the wiring diagram on page 7. The thermostat is not supplied by Regency, use a CSA, ULC or UL approved millivolt thermostat, 250-750 millivolt rated. A non-anticipator type thermostat is recommended.

Recommended max lead length (two wire) when using wall thermostat (CP-2 system)	
Wire size	Max. length
14 GA.	50 Ft.
16 GA.	32 Ft.
18 GA.	20 Ft.
20 GA.	12 Ft.
22 GA.	9 Ft.

OPTIONAL REMOTE CONTROL INSTALLATION

Use the Regency Ultimate Insert Remote Control Kit (Part # 846-955) approved for this unit. Use of other systems may void your warranty.

Due to the high temperatures inside the valve compartment we recommend that the receiver is housed in an electrical receptacle box that is as close to the unit as possible. Remember that you have to be able to access the receiver to change batteries.



OPERATING INSTRUCTIONS

OPERATING INSTRUCTIONS

Before operating this appliance, proceed through the following check list.

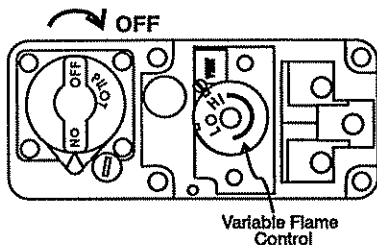
- 1) Read and understand these Instructions before operating this appliance.
- 2) Check to see that all wiring is correct and enclosed to prevent possible shock.
- 3) Check to ensure there are no gas leaks.
- 4) Make sure the glass door is in place. Never operate the appliance with the door glass removed.
- 5) Verify that all venting and the cap is unobstructed.
- 6) Verify log placement. If the pilot cannot be seen when lighting the unit - the logs or the embers have been incorrectly positioned.
- 7) The unit should never be turned off and on again without a minimum of a 60 second wait.
- 8) When lighting the appliance, the inside of the glass may fog up. This will burn off after a few minutes of operation.

DO NOT BURN THE APPLIANCE WITH THE GLASS ASSEMBLY REMOVED.

LIGHTING PROCEDURE

IMPORTANT: Gas cock knob cannot be turned from "PILOT" to "OFF" unless it is partially depressed.

- 1) Open the bottom louver assembly
- 2) If the control knob is in the "OFF" position proceed to Step 5.



- 3) Push in gas control knob slightly and turn clockwise to "OFF". Knob cannot be turned from "PILOT" to "OFF" unless knob is pushed in slightly. Do not force.
- 4) Wait five minutes to allow gas, that may have accumulated in the main burner compartment, to escape. If you do smell gas, follow the instructions on the front of this manual. If you don't smell gas continue on to the next step.
- 5) Turn the gas control counter clockwise to "PILOT".
- 6) Push in control knob all the way and hold in. Continually push and release the red button on spark igniter until pilot lights. Continue to hold the control knob in for approximately one minute, then release the gas control knob. The pilot flame should continue to burn. If the pilot does not remain lit, repeat operation allowing a longer period before releasing gas control knob.
- 7) Turn gas control knob counter clockwise to "ON".
- 8) Use the rocker switch to operate main burner.
- 9) Rotate the variable flame control to adjust the flame height higher or lower.
- 10) Close the bottom louver assembly.

SHUTDOWN PROCEDURE

- 1) Use the rocker switch to turn off the main burner.
- 2) Open the bottom louver assembly.
- 3) Push in the gas control knob slightly and turn clockwise to "OFF". Do not force.
- 4) Disconnect all electric power and gas to the appliance if service is to be performed.

OPERATING INSTRUCTIONS

Copy of Lighting Instruction Plate

FOR YOUR SAFETY READ BEFORE LIGHTING

This appliance must be installed in accordance with local codes, if any; if not, follow the current CAN1-B149/ANSI Z 223.1-1980

WARNING: If you do not follow these instructions exactly, a fire or explosion may result causing property damage, personal injury or loss of life. Improper installation, adjustment, alteration, service or maintenance can cause injury or property damage. Refer to the owner's information manual provided with this appliance. For assistance or additional information consult a qualified installer, service agency or gas supplier.

- A) This appliance has a pilot which must be lighted by hand. When lighting the pilot, follow these instructions exactly.
- B) BEFORE LIGHTING smell all around the appliance area for gas. Be sure to smell next to the floor because some gas is heavier than air and will settle on the floor.
- C) Use only your hand to push in or turn the gas control knob. Never use tools. If the knob will not push in or turn by hand, don't try to repair it, call a qualified service technician. Force or attempted repair may result in a fire or explosion.
- D) Do not use this appliance if any part has been under water. Immediately call a qualified service technician to inspect the appliance and to replace any part of the control system and any gas control which has been under water.

WHAT TO DO IF YOU SMELL GAS


- Do not try to light any appliance
- Do not touch any electric switch, do not use any phone in your building
- Immediately call your gas supplier from a neighbour's phone. Follow the gas supplier's instructions.
- If you cannot reach your gas supplier, call the fire department.

This appliance needs fresh air for safe operation and must be installed so there are provisions for adequate combustion and ventilation air.

CAUTION: Hot while in operation. Do not touch. Due to high surface temperatures keep children, clothing and furniture, away. Keep burner and control compartment clean. See installation and operating instructions accompanying appliance.

LIGHTING INSTRUCTIONS

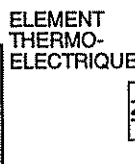
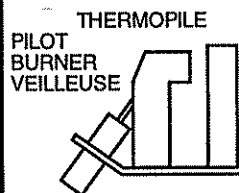
STOP! Read the safety information above on this label.


- 1) Push in gas control knob slightly and turn clockwise  to "OFF". Knob cannot be turned from "PILOT" to "OFF" unless knob is pushed in slightly. Do not force.
- 2) Wait five (5) minutes to clear out any gas. If you then smell gas **STOP!** follow "B" in the safety information above on this label. If you don't smell gas, go to the next step.
- 3) Turn knob on gas control counter-

clockwise  to "PILOT".

- 4) Push in control knob all the way and hold in. Continually push and release the red button on spark igniter until pilot lights. Continue to hold the control knob in for about 1/2 minute after the pilot is lit. Release knob and it will pop back up. Pilot should remain lit. If it goes out, repeat steps 1) to 4).

If knob does not pop up when released, stop and immediately call your service technician or gas supplier. If the pilot will not stay lit after several tries, turn the gas control knob to "OFF" and call your service technician or gas supplier.



- 5) Turn gas control knob counterclockwise  to "ON".
- 6) Use rocker switch to operate main burner.

TO TURN OFF GAS APPLIANCE

- 1) Push in the gas control knob slightly and turn clockwise  to "OFF". Do not force.
- 2) Turn off all electric power to the appliance if service is to be performed.

DO NOT REMOVE THIS INSTRUCTION PLATE 908-497

OPERATING INSTRUCTIONS

FIRST FIRE

The first fire in your stove is part of the curing process. To ensure that the paint is properly cured, light the unit and leave on for 5 minutes and let it cool down for 30 minutes. Repeat 3 or 4 times. When first operated, the unit will release an odour caused by the curing of the paint, the burning off of the starch in the gas logs and the oils on the metal.

The glass panel may require cleaning after the unit has cooled down. **DO NOT ATTEMPT TO CLEAN THE GLASS WHILE IT IS HOT. NEVER OPERATE THE UNIT WITH THE DOOR OPEN.**

AUTOMATIC CONVECTION FAN OPERATION

The fan operates automatically, turn the knob on the side of the faceplate to adjust to the desired speed. The fan will turn on as the stove comes up to operating temperature. After the unit has been turned off and the unit cooled to below a useful heat output range the fan will shut off automatically.

NORMAL OPERATING SOUNDS OF GAS APPLIANCES

It is possible that you will hear some sounds from your gas appliance. This is perfectly normal due to the fact that there are various gages and types of steel used within your appliance. Listed below are some examples, all are **normal operating sounds** and should not be considered as defects in your appliance.

Blower:

Regency gas appliances use high tech blowers to push heated air farther into the room. It is not unusual for the fan to make a "whirring" sound when ON. This sound will increase or decrease in volume depending on the speed setting of your fan rheostat.

Burner Tray:

The burner tray is positioned directly under the burner tube(s) and logs and is made of a different gage material from the rest of the firebox and body. Therefore, the varying thicknesses of steel will expand and contract at slightly different rates which can cause "ticking" and "cracking" sounds. You should also be aware that as there are temperature changes within the unit these sounds will likely re-occur, again, this is normal for steel fireboxes.

Blower Thermodisc:

When this thermally activated switch turns ON it will create a small "clicking" sound. This is the switch contacts closing and is normal.

Pilot Flame:

While the pilot flame is on it can make a very slight "whisper" sound.

Gas Control Valve:

As the gas control valve turns ON and OFF, a dull clicking sound may be audible, this is normal operation of a gas regulator or valve.

Unit Body/Firebox:

Different types and thicknesses of steel will expand and contract at different rates resulting in some "cracking" and "ticking" sounds will be heard throughout the cycling process.

MAINTENANCE INSTRUCTIONS

- 1) Always turn the gas valve to off before cleaning. For relighting, refer to lighting instructions. Keep the burner and control compartment clean by brushing and vacuuming at least once a year. When cleaning the logs, use a clean soft paint brush as the logs are fragile and easily damaged.
- 2) Clean (never when unit is hot) appliance, door and louvers with a damp cloth. Never use an abrasive cleaner. The gold louvers (and optional gold door) may be scratched if abrasives are used to clean them. The heater is finished in a heat resistant paint and should only be refinished with heat resistant paint (not with wall paint). Regency uses StoveBrite Paint - Metallic Black #6309.
- 3) Make a periodic check of burner for proper position and condition. Visually check the flame of the burner periodically, making sure the flames are steady; not lifting or floating. If there is a problem, call a qualified service person.
- 4) The appliance and venting system must be inspected before use, and at least annually, by a qualified field service person, to ensure that the flow of combustion and ventilation air is not obstructed. During the annual service call, the burners should be removed from the burner tray and cleaned. Replace the embers but do not block the pilot.
- 5) Keep the area near the appliance clear and free from combustible materials, gasoline and other flammable vapours and liquids.

WARNING: CHILDREN AND ADULTS SHOULD BE ALERTED TO THE HAZARDS OF HIGH SURFACE TEMPERATURE AND SHOULD STAY AWAY TO AVOID BURNS OR CLOTHING IGNITION. YOUNG CHILDREN SHOULD BE CAREFULLY SUPERVISED WHEN THEY ARE IN THE SAME ROOM AS THE APPLIANCE.

CAUTION: ANY SAFETY SCREEN OR GUARD REMOVED FOR SERVICING AN APPLIANCE MUST BE REPLACED PRIOR TO OPERATING THE APPLIANCE.

CLOTHING OR OTHER FLAMMABLE MATERIAL SHOULD NOT BE PLACED ON OR NEAR THE APPLIANCE.

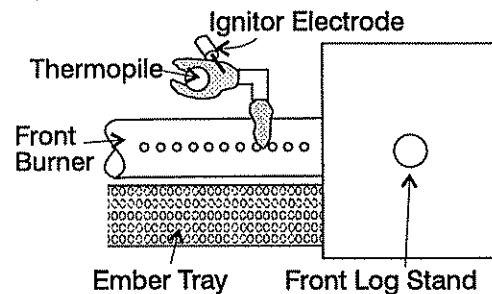
- 6) Each time the appliance is lit, it may cause condensation and fog the glass. This condensation and fog is normal and will disappear in a few minutes as the glass heats up.

Never operate the appliance without the glass properly secured in place or with the door open.

- 7) Periodically check the pilot flames, there should be two strong blue flames approx. 3/4" long - 1 flame to the front burner, and 1 to the thermopile. See diagrams below.

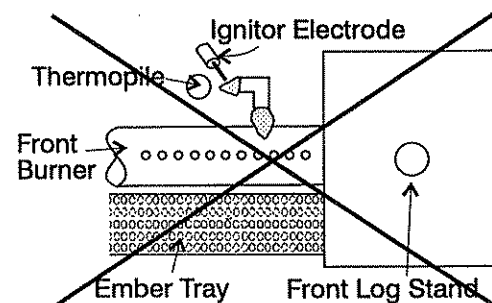
If you have an incorrect flame pattern, contact your Regency dealer for further instructions.

Correct flame pattern has two strong blue flames: 1 flowing around the thermopile and 1 reaching towards the front burner (it does not have to be touching the burner).



Top View of pilot flame.

Incorrect flame pattern will have small, probably yellow flames, not coming into proper contact with the front burner or thermopile.



Top View of pilot flame

MAINTENANCE

Log Replacement

The unit should never be used with broken logs. Turn off the gas valve and allow the unit to cool before opening door to carefully remove the logs. The pilot light generates enough heat to burn someone. If for any reason a log should need replacement, you must use the proper replacement log. The position of these logs must be as shown in the diagram under Log Installation.

NOTE: Improper positioning of logs may create carbon build-up and will alter the unit's performance which is not covered under warranty.

Glass Gasket

If the glass gasket requires replacement use 5/8" flat glass gasket for the Bay Front (Part # 936-243) and a 5/8" rope gasket for the Flush Front (Part # 936-232).

Gold-Plated Trim

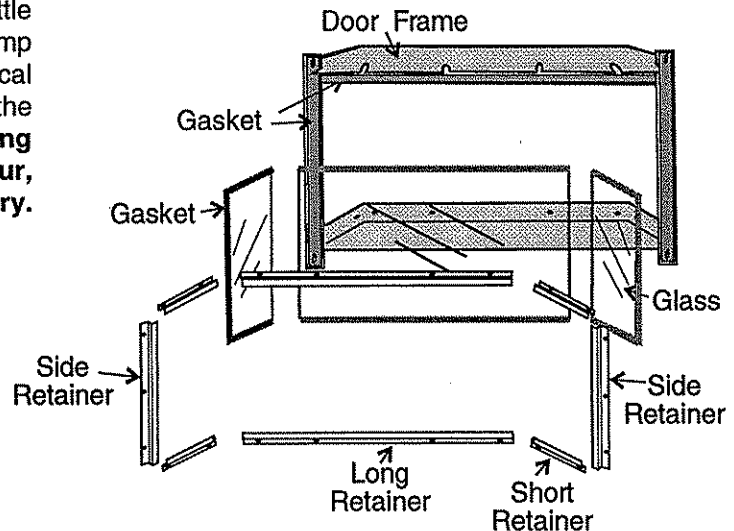
The 24 carat gold plated finish on the trim requires little maintenance, and need only be cleaned with a damp cloth. **DO NOT** use abrasive materials or chemical cleaners, as they may harm the finish and void the warranty. **Clean any fingerprints off before turning the unit on.** If the top louvers start to discolour, check the door gasket seal and replace if necessary.

Door Glass Replacement

Your Regency stove is supplied with high temperature, 5 mm Neoceram ceramic glass that will withstand the highest heat that your unit will produce. In the event that you break your glass by impact, purchase your replacement from an authorized Regency dealer only, and follow our step-by-step instructions for replacement.

Bay Glass Removal

- 1) Remove the door from the unit and place on a soft surface to prevent scratching.
- 2) Remove the nuts holding the glass retainers in place.
- 3) Remove the glass retainers (sides, top and bottom).
- 4) Replace the glass. **The glass must have gasketing around it.**
- 5) Reverse the previous steps, replace the retainers and fasten with the nuts but do not over tighten, as this can break the glass.
- 6) Replace door on the stove and check the seal.



Flush Glass Replacement

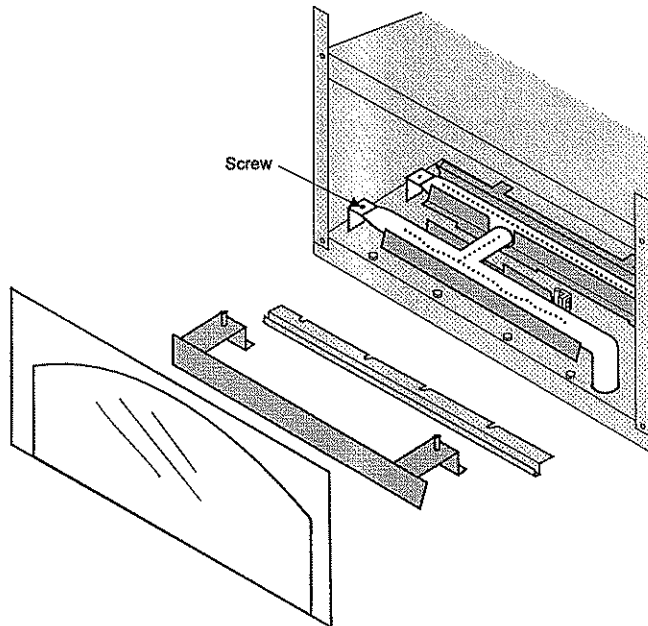
Slide old glass out of the arch and replace with new glass.

Fan Maintenance

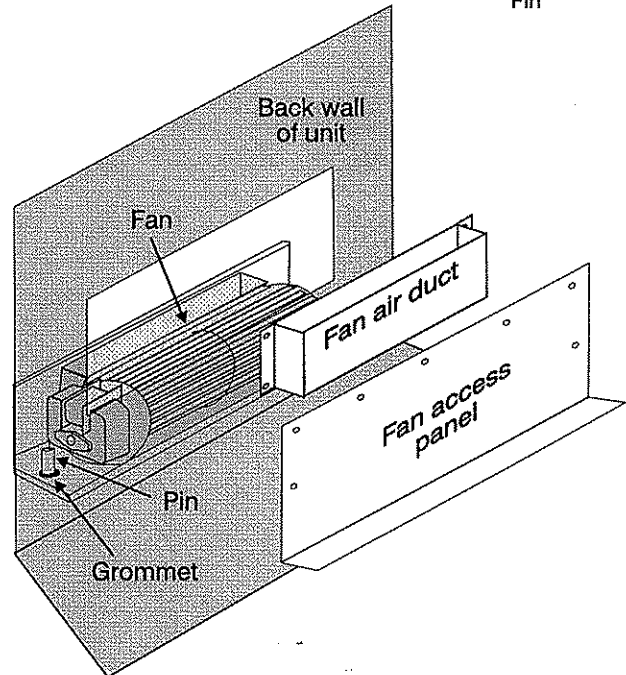
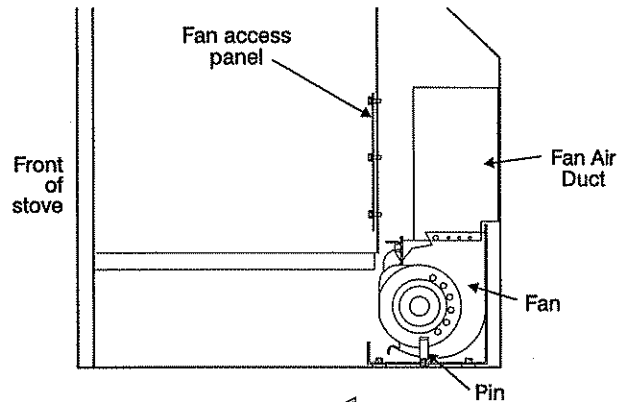
If your fan requires maintenance or replacement, access to the fan is through the plate on the rear wall of the firebox. **NOTE: the unit MUST NOT be operated without the fan access panel securely in place.**

To remove fan:

- 1) Turn the unit off and allow it to cool to room temperature.
- 2) Unplug or disconnect power source to stove.
- 3) Remove glass front (see page 16).
- 4) Remove logs.
- 5) Remove brick panels.
- 6) Remove the Front Log Stand.
- 7) Remove the Burner Tube by removing 1 screw shown in diagram below.



- 8) Remove the 7 screws holding the Access Panel in place.
- 9) Remove the Fan Air Duct by removing 4 screws, 2 per side.
- 10) Unplug the red and white wires from the fan motor (from inside the stove).
- 11) Lift Fan Assembly off of the 2 pins, tip forward and pull through firebox opening.
- 12) Disconnect green wire from power cord.



Replacing fan:

Reverse above steps. Hint for pushing fan down onto pins - rub a bit of dish soap on the grommet so it will slide more easily onto the pin. Check to make sure the fan is seated properly on the pins, this is very important- try to move the fan back and forth, there should be no noise, if there is check that the grommets haven't come loose.

WARRANTY

Regency Fireplace Products, are designed with reliability and simplicity in mind. In addition, our internal Quality Assurance Team carefully inspects each unit thoroughly before it leaves our door. Regency Industries Ltd. is pleased to extend this limited lifetime warranty to the original purchaser of a Regency Product.

The Warranty: Lifetime

Covered under the agreement are the following components:

Combustion chamber, heat exchanger, burner tubes, logs, embers, glass (thermal breakage) and all gold plating (against defective manufacture).

The above will be covered for parts and labour for the first five years and parts only thereafter.

Electrical components such as blowers, switches, wiring, thermodiscs, remote control, thermopiles, thermocouples and gas valves are covered for one year from the date of purchase.

Conditions:

All installations must be performed by a qualified gas fitter and installed according to all applicable local and national codes. Also, all service work must be carried out by a qualified gas service person. It is the responsibility of the installer to ensure that the appliance is firing as per rating plate. Any part or parts of this unit which in our judgement show evidence of such defect will be repaired or replaced at Regency's option, through an accredited distributor or agent provided that the defective part be returned to the distributor or agent **Transportation Prepaid**, if requested.

Exclusions:

This limited Lifetime Warranty does not extend to or include paint, door or glass gasketing or trim. It does not cover installation and operational related problems such as over-firing, downdrafts or spillage caused by environmental conditions, nearby trees, buildings, hilltops, mountains, inadequate venting or ventilation, excessive offsets, negative air pressures caused by insufficient make up air, mechanical systems such as furnaces, fans, clothes dryers etc.

The warranty does not extend to any part or parts which show evidence of misuse or abuse, neglect, accident or lack of maintenance.

Products made by other manufacturers and used in conjunction with the operation of this appliance without authorization from Regency, may nullify your warranty on this product.

Regency Industries Ltd., shall in no event be liable for any special, indirect consequential damages of any nature whatsoever which are in excess of the original purchase price of the product. Any alteration to the unit which causes sooting or carboning that results in damage to the exterior facia is not the responsibility of Regency Industries Ltd.

General:

It is essential that all submitted claims provide all of the necessary information including purchase date, serial #, type of unit and part or parts requested.

Please complete the information below for future reference.

DATE PURCHASED _____

MODEL NO. _____ SERIAL NO. _____

DEALERS NAME & ADDRESS _____
