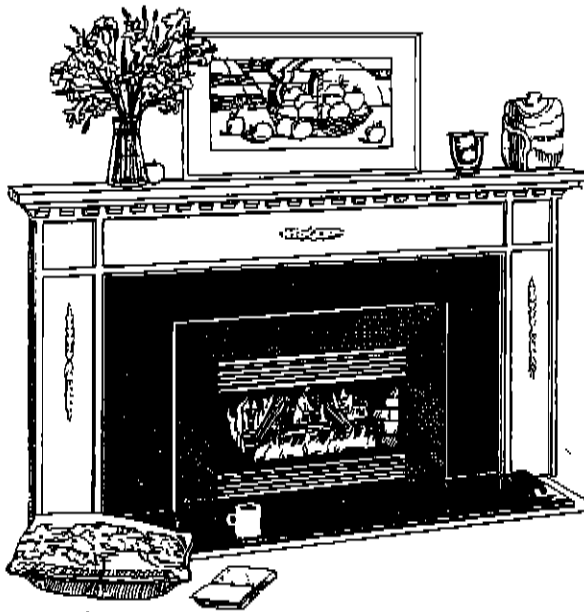




INSTALLATION AND OPERATING INSTRUCTIONS

Vented Decorative Gas Appliances



**MODEL U23-NG
NATURAL GAS**

**MODEL U23-LP
PROPANE GAS**

PLEASE KEEP THESE OPERATING INSTRUCTIONS FOR FUTURE REFERENCE

This manual contains all of the necessary information to ensure the safe, efficient and dependable installation of your gas fireplace insert. Please read and understand these installation instructions before beginning your installation.

FOR YOUR SAFETY

What to do if you smell gas:

- 1) Do not try to light any appliance.
- 2) Turn off main gas supply.
- 3) Do not touch any electrical switch, do not use any phone in your building.
- 4) Immediately call your gas supplier from a neighbour's phone. Follow the gas supplier's instructions.
- 5) If you cannot reach the gas supplier, call the fire department.

WARNING: Improper installation, adjustment, alteration, service or maintenance can cause injury or property damage. Refer to this manual. For assistance or additional information consult a qualified installer, service agency or the gas supplier.

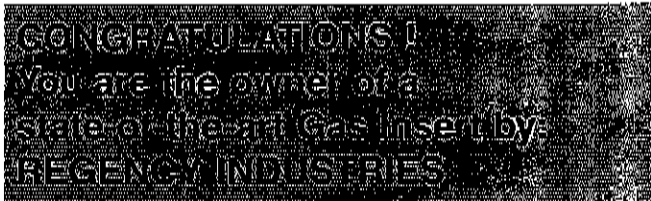
FOR YOUR SAFETY

Do not store or use gasoline or other flammable vapors and liquids in the vicinity of this or any other appliance.

Regency Industries Ltd.
7830 Vantage Way, Delta, B.C.
Canada, V4G 1A7

Tested by Warnock Hersey **Warnock Hersey**





The Regency Gas Fireplace Series of hand crafted appliances has been designed to provide you with all the warmth and charm of a fireplace, at the flick of a switch.

The models U23-NG and U23-LP of this series has been approved by Warnock Hersey for both safety and efficiency. As it also bears our own mark, it promises to provide you with economy, comfort and security for many trouble free years to follow. Please take a moment now to acquaint yourself with these instructions and the many features of your Regency Fireplace.

You must have one of each of the following **REQUIRED PARTS**. Your choice of size and colour are shown below.

REQUIRED PARTS

LOUVERS

Brown		444-912
or		
Gold		444-914

FACEPLATES

Regular-Brown	26"x 40"	444-916
or		
Regular-Gold	26"x 40"	444-920
or		
Oversize-Brown	30"x 48"	444-918
or		
Oversize-Gold	30"x 48"	444-922

If for any reason you want/need to change the outside appearance of your gas insert, your **OPTIONAL PARTS** are listed below.

OPTIONAL PARTS

BRICK PANELS

Brick Kit	443-950
-----------	---------

TABLE OF CONTENTS

REGENCY GAS FIREPLACE INSERT

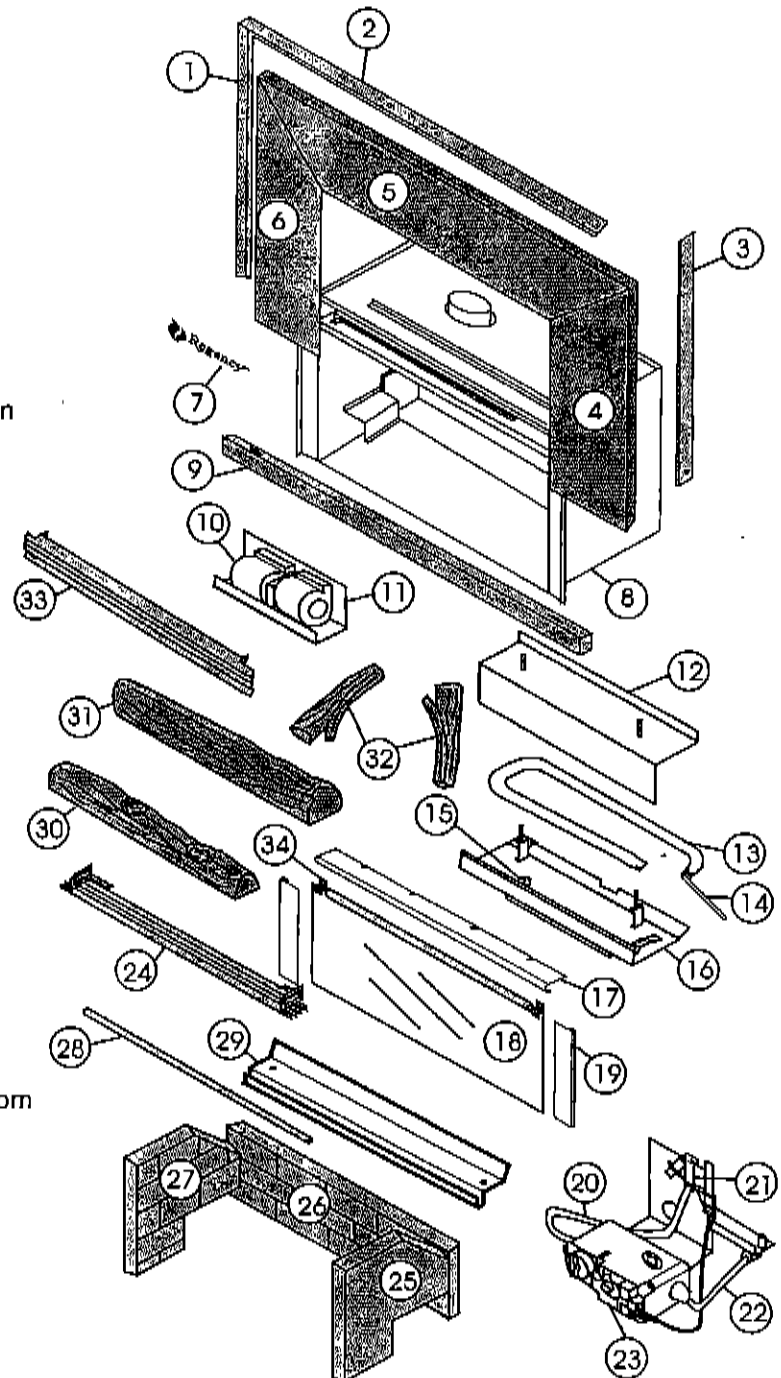
Contents	Page
PARTS	
Parts List	4
Safety Label	5
INSTALLATION REQUIREMENTS	
Gas Pipe Testing	6
Specifications	6
General Safety Information	6-7
Minimum Fireplace Clearances	7
Clearances to Combustibles	7
Materials Required	
- Electronic Ignition Units	8
- Standing Pilot Units	8
INSTALLATION INSTRUCTIONS	
Installation Sequence	9
Glass	9
Venting	
- Combustion & Ventilation	10
- Flue Extender Kit	10
Gas Connection	10
Gas Insert Aeration System	11
Faceplate & Trim	12-13
Optional Brick Panel	14
Louvers	14
Logs	15
- Positioning Log Set	15
OPERATING INSTRUCTIONS	
Operating Instructions	16
Lighting & Shutdown	16
MAINTENANCE / WARRANTY	
Maintenance	17
Warranty	17

PARTS LIST

You will be receiving the following components with your new Regency Gas Fireplace. Please review your product to make sure you have all you need. In the event that you are missing any part contact your dealer.


PART NUMBER PART NAME

- 1) 444-203 Faceplate left Brass Trim
- 2) 444-201 Faceplate Top Brass Trim
- 3) 444-202 Faceplate Rt. Brass Trim
- 4) 444-132 Faceplate side right
- 5) 444-131 Top Faceplate
- 6) 444-133 Faceplate side left
- 7) 948-116 Regency Logo Plate
- 8) 443-543 Stove Body
- 9) 444-924 Optional Hearth Trim-comes in various colours and sizes
- 10) 540-560 Fan Assembly
- 11) 444-107 Fan Base
- 12) 443-544 Fan Cover
- 13) 443-187 Burner
- 14) 443-188 Burner Adjustment Rod
- 15) 904-188 Burner Clamp
- 16) 443-516 Burner Support
- 17) 839-162 Gold Glass Support Trim Top
- 18) 443-937 Glass
- 19) 444-200 Glass Side Covers
- 20) 540-206 Pilot Tubing
- 21) 910-192 Pilot/Spark Assembly
- 22) 540-205 Burner Tubing
- 23) 553-562 Valve Assembly U23-LP
- 23) 543-562 Valve Assembly U23-NG
- 24) 444-812 Bottom Louvers - Brown
- 24) 444-815 Bottom Louvers - Gold
- 25) 902-051 Optional Brick Panel (Right)
- 26) 902-052 Optional Brick Panel (Back)
- 27) 902-050 Optional Brick Panel (Left)
- 28) 839-162 Gold Glass Support Trim Bottom
- 29) 444-126 Bottom Glass Channel
- 30) 902-130 Front Log
- 31) 902-132 Rear Log
- 32) 902-134 Cross Log
- 33) 443-811 Top Louvers - Brown
- 33) 443-813 Top Louvers - Gold
- 34) 400-096 Glass Clips x 2



This is a copy of the label that accompanies each Regency Gas Insert. We have printed a copy of the contents here for your review. The safety label is located on the front inside base of the unit visible when the bottom louver is open.

NOTE: Regency units are constantly being improved. Check the label on the unit and if there is a difference, the label on the unit is the correct one.

 <p>Wheat Valley FIREPLACE PRODUCTS</p>	<p>Regency</p>	<p>Serial No. No de Serie</p> <p>WH - A</p>	<p>DO NOT REMOVE THIS LABEL</p>
<p>Model/ Modele: U23-LP</p> <p>PROPRANE GAS FIREPLACE INSERT: Model U23-LP</p> <p>Minimum supply pressure LPG 11.0" W.C./C.E. Manifold pressure LPG 10.0" W.C./C.E. Orifice size LPG 54 D.M.S (0-2000") LPG HIGH ALT 56 D.M.S HAUTE ALT.</p> <p>For use with propane gas. Pour usage avec propane</p> <p>NATURAL GAS FIREPLACE INSERT: Model U23-NG</p> <p>Minimum supply pressure NAT 4.5" W.C./C.E. Manifold pressure NAT 3.5" W.C./C.E. Orifice size NAT 49 D.M.S (0-2000") NAT. HIGH ALT 44 D.M.S HAUTE ALT.</p> <p>For use with natural gas. Pour usage avec naturel gaz.</p> <p>VENTED DECORATIVE GAS APPLIANCE For installation into a vented non-combustible fireplace, listed factory built fireplace or optional Regency Grates Zero clearance kit. ELECTRICAL SUPPLY 115 V 60 HZ LESS THAN 1000VA (0-610m) 22,800 BTUH Altitude maximum input 0-2000 fopd (0-610m) 22,800 BTUH 2000-4500 fopd (610-1370 m) 21,000 BTUH NOT A SOURCE OF HEAT. Not for use with solid fuel. avec un combustible solide.</p> <p>APPAREIL FONCTIONNANT AU PROPANE CONCU POUR ETRE INSERE DANS UN FOYER: Modele U23-LP Pression d'alimentation minimum Pression a la tubure d'alimentation Grandeur de l'injecteur</p> <p>APPAREIL FONCTIONNANT AU NATURAL GAZ CONCU POUR ETRE INSERE DANS UN FOYER: Modele U23-NG Pression d'alimentation minimum Pression a la tubure d'alimentation Grandeur de l'injecteur</p> <p>EVENT Ne peut etre installe que dans un foyer non combustible muni d'un event ou GRATES foyer a degagement de securite nul. ALIMENTATION ELECTRIQUE: Dati calorifique maximum selon l'altitude NON CONCU POUR CHAUFFAGE. Ne doit pas etre utilise avec un combustible solide.</p>	<p>Model/ Modele: U23-NG</p> <p>VENTED DECORATIVE GAS APPLIANCE For installation into a vented non-combustible fireplace, listed factory built fireplace or optional Regency Grates Zero clearance kit. ELECTRICAL SUPPLY 115 V 60 HZ LESS THAN 1000VA (0-610m) 22,800 BTUH Altitude maximum input 0-2000 fopd (0-610m) 22,800 BTUH 2000-4500 fopd (610-1370 m) 21,000 BTUH NOT A SOURCE OF HEAT. Not for use with solid fuel. avec un combustible solide.</p> <p>APPAREIL FONCTIONNANT AU GAZ, AVEC EVENT Ne peut etre installe que dans un foyer non combustible muni d'un event ou GRATES foyer a degagement de securite nul. ALIMENTATION ELECTRIQUE: Dati calorifique maximum selon l'altitude NON CONCU POUR CHAUFFAGE. Ne doit pas etre utilise avec un combustible solide.</p>	<p>Minimum Clearances to Combustibles: Side of Unit A 11" / 275mm to Wall: A 11" / 275mm Top of Unit B 14" / 350mm to Mantle: B 14" / 350mm</p>	<p>908-225</p>
<p>Duplicate Serial #</p>			
<p>Regency Industries Ltd., Delta, B.C., Canada</p> <p>MADE IN CANADA / FABRIQUE AU CANADA</p>			

INSTALLATION REQUIREMENTS

IMPORTANT: SAVE THESE INSTRUCTIONS

The Regency Gas Fireplace must be installed in accordance with these instructions. Carefully read all the instructions in this manual first. Consult the building authority having jurisdiction to determine the need for a permit prior to starting the installation.

NOTE: Failure to follow the instructions could cause a malfunction of the heater which could result in death, serious bodily injury, and/or property damage. Failure to follow these instructions may also void your fire insurance and/or warranty. This appliance is not intended for use with a thermostat.

FOR YOUR SAFETY

This appliance requires air for proper combustion. Always provide adequate combustion and ventilation air. Follow instructions and information in CAN/CGA B149 (in Canada) or the National Fuel Gas Code ANSI Z223.1 (in the USA), regarding requirements for combustion and ventilation air.

GAS PIPE TESTING

The appliance must be isolated from the gas supply piping system by closing its individual manual shutoff valve during any pressure testing of the gas supply piping system at test pressures equal to or less than 1/2 psig. (3.45 kPa).

SPECIFICATIONS

Gas Input Capacity: 22,800 BTUH

Note: Not tested for output.

Fuels: Approved for use with both natural gas, liquefied petroleum gases and propane. Approved as is for use at 0' to 4,500'.

Electrical: 115 V.A.C. system.

Circulation Fan: Two speed, 140 CFM.

Log Sets: Ceramic fiber, 4 per set.

Vent System: Minimum 4" B-Vent or double thickness aluminum flex liner.

BEFORE YOU START

Safe installation and operation of this appliance requires common sense, however, we are required by the Canadian Safety Standards and ANSI Standards to make you aware of the following:

General Safety Information

- 1) The appliance installation must conform with local codes or in the absence of local codes, with CAN/CGA B149 (in Canada) or the National Fuel Gas Code ANSI Z223.1. This appliance should be installed by a qualified gas fitter technician only.
- 2) Installation and repair should be done by a qualified service person.
- 3) The appliance should be inspected before use and at least annually by a professional service person. More frequent cleaning may be required due to excessive lint from carpeting, bedding material, etc. It is imperative that control compartments, burners and circulating air passageways of the appliance be kept clean and free from excessive lint from carpeting.
- 4) See general construction and assembly instructions. This appliance may only be installed in a vented, non-combustible fireplace. The appliance and vent should be enclosed when installed in or passing through a living area, where children may come in contact with it.
- 5) Always connect this fireplace to a chimney and vent to the outside of the building envelope. Never vent to another room or inside a building. Make sure that the vent is properly sized and is of adequate height to provide the proper draft.
- 6) Inspect the venting system annually for blockage and any signs of deterioration.
- 7) Any safety glass removed for servicing must be replaced prior to operating the appliance.
- 8) To prevent injury, do not allow anyone who is unfamiliar with the operation to use the fireplace.
- 9) Due to high temperatures, the appliance should be located out of high traffic areas and away from furniture and draperies. Children and adults

INSTALLATION REQUIREMENTS

should be alerted to the hazards of high surface temperatures, especially the fireplace glass and gold trims, and should stay away to avoid burns or clothing ignition. Young children should be carefully supervised when they are in the same room as the appliance. Clothing or other flammable material should not be placed on or near the appliance.

CLEARANCES

Minimum Fireplace Clearances

Diagram 1 shows the minimum fireplace clearances required to be able to install the Regency gas fireplace insert.

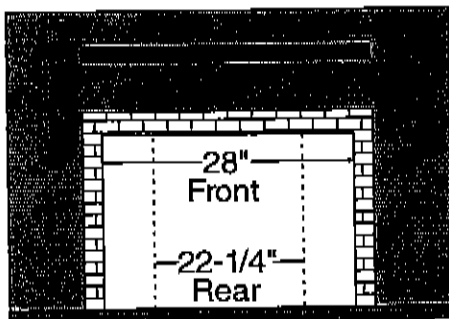
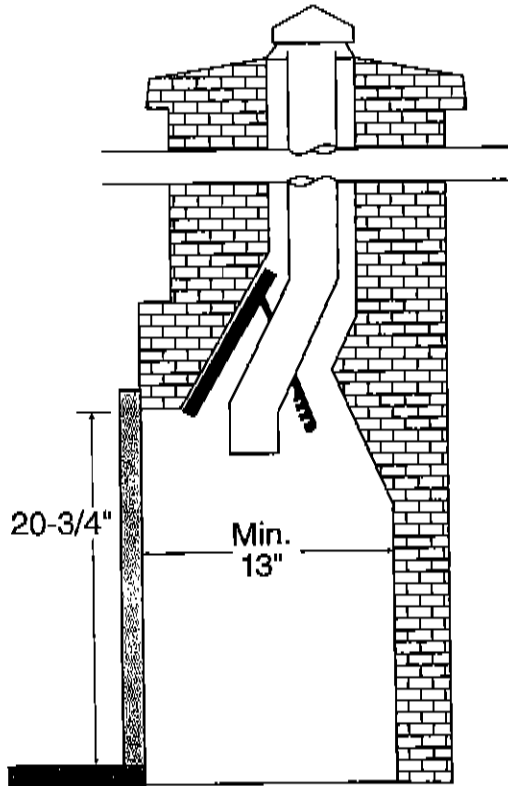


Diagram 1

Clearances to Combustibles

When this appliance is installed directly on combustible flooring such as carpeting, tile or other combustible material, other than wood flooring, the appliance shall be installed on a metal or wood panel extending the full width and depth of the appliance.

The minimum clearance from the side of the appliance to a combustible side wall is 11 inches. The minimum clearance from the top of the appliance to a combustible mantle is 14 inches. See Diagram 2.

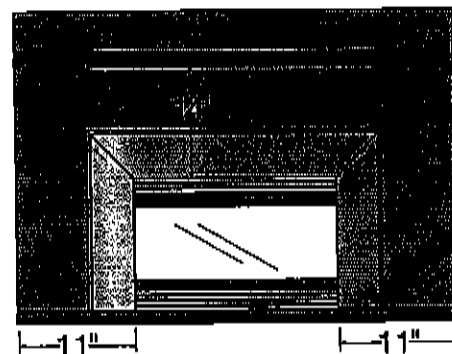
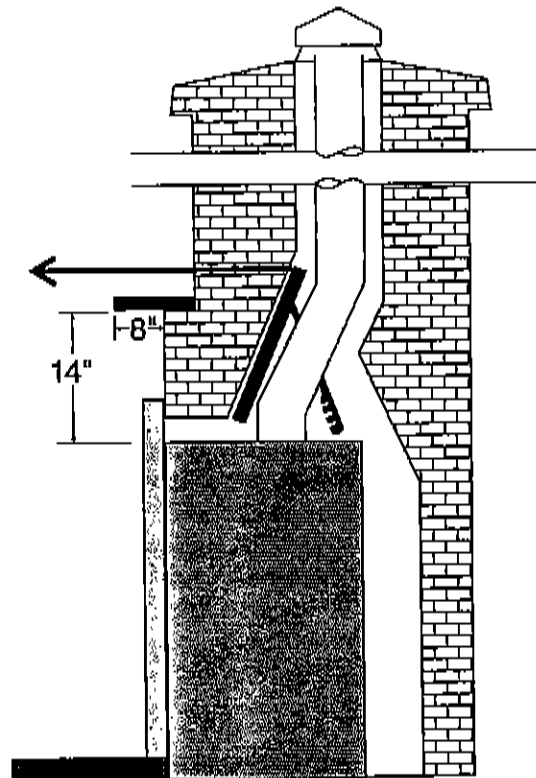


Diagram 2

INSTALLATION REQUIREMENTS

MATERIALS REQUIRED

Standing Pilot Units (U23-NG, U23-LP)

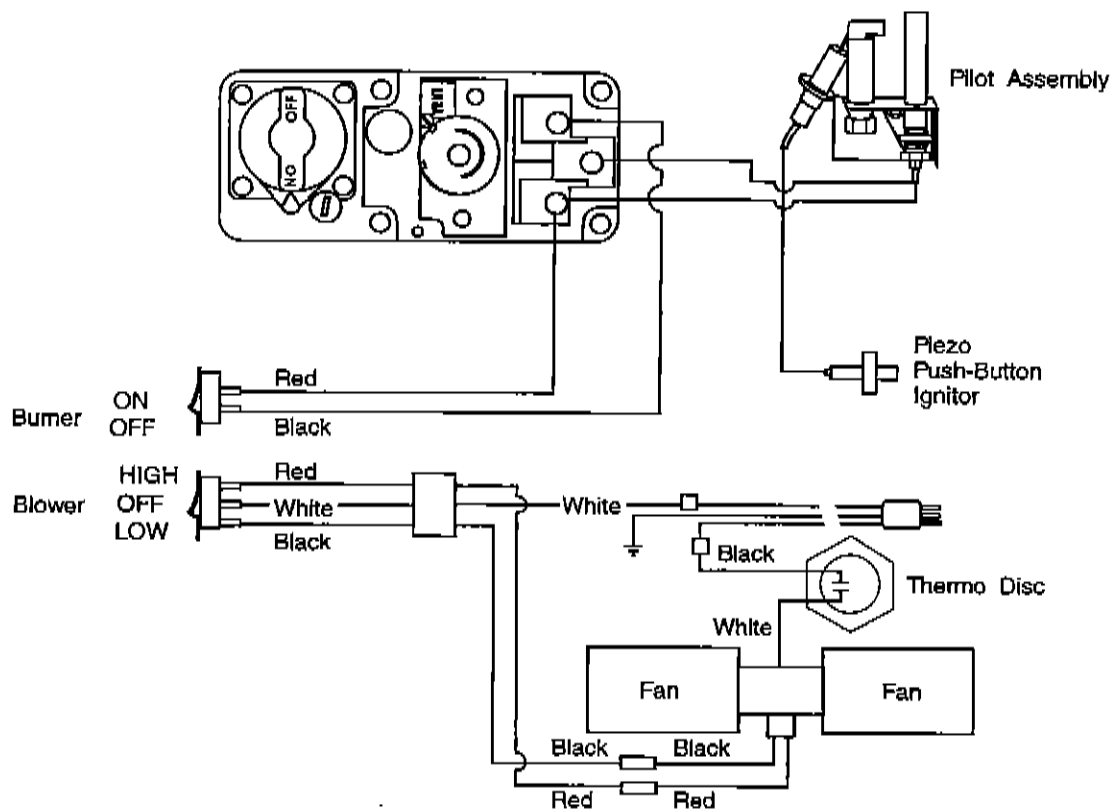
115 Volt 60 HZ less than 12 amps.

No electrical power supply is required for the gas control to operate. A 115 Volt AC power cord is hooked up to the fan switch and blower. Operation of this fan increases the heat output of the appliance. Plug 3 wire cord into a suitable receptacle. **Do not cut the ground terminal off under any circumstances.**

When connected with 115 volts, the appliance must be electrically grounded in accordance with local codes, with a current version of CSA C22.1 (in Canada) or in the absence of local codes, with the National Electrical Code ANSI/NFPA 70-1987.

NOTE: This unit is equipped with a heat sensor thermodisc which will prevent the blower from operating until the unit reaches the correct temperature.

Wiring Diagram for the U23-NG and U23-LP



INSTALLATION INSTRUCTIONS

INSTALLATION SEQUENCE

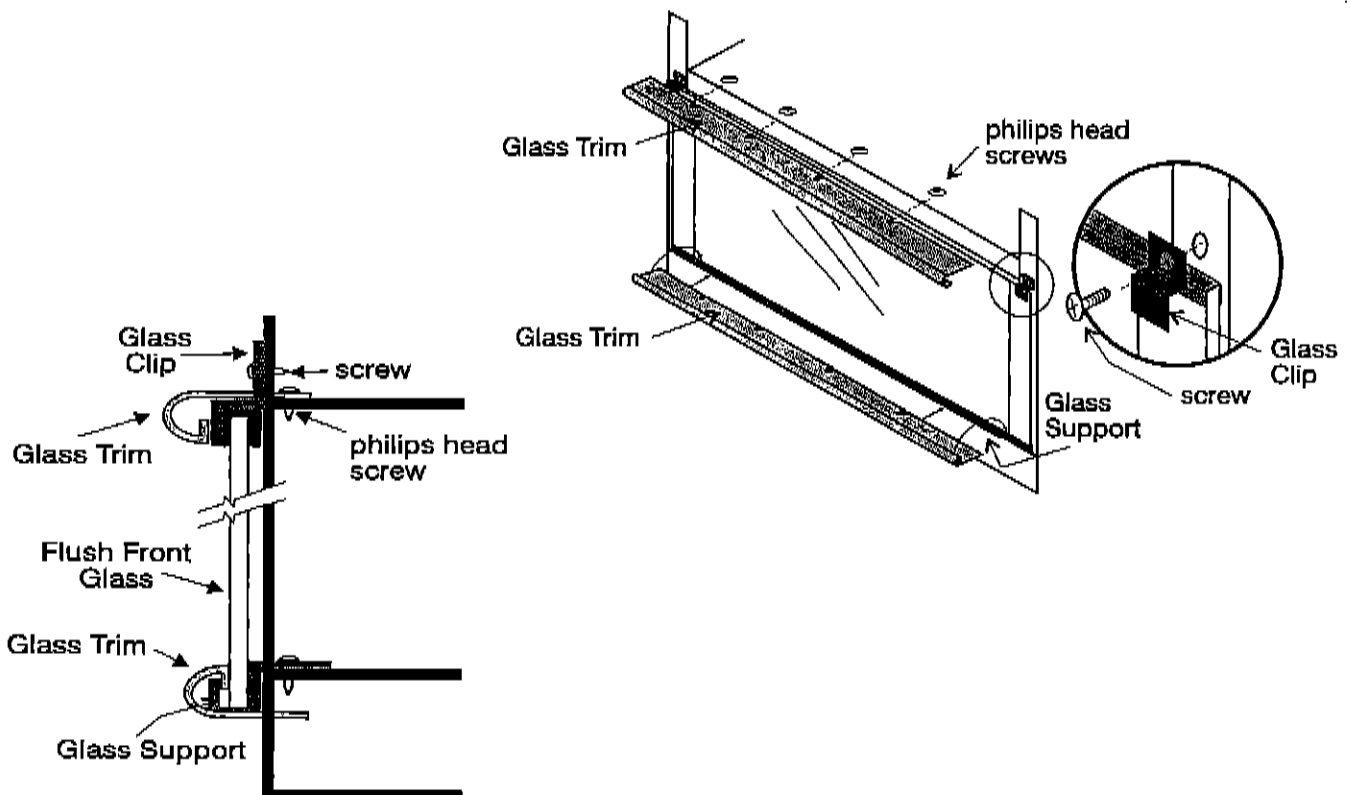
The Regency Gas Insert is installed in the steps as listed below. Detailed instructions for each step follow.

- 1) Remove the glass and top and bottom gold glass trim from the unit. See page 9.
- 2) Install the insert box, install and attach venting, and make gas connections. See pages 10 and 11.
- 3) Assemble and install the faceplate and trim. See pages 12 and 13.
- 4) Optional: Install the brick panels. See page 14.
- 5) Install the 4 logs. See page 15.
- 6) Install the bottom louver. See page 14.
- 7) Replace glass and top and bottom gold glass trim. See page 9.
- 8) Install top louver. See page 14.
- 9) **FINAL CHECK:** Before leaving this unit with the customer, the installer must ensure that the appliance is firing correctly. This includes:
 - A) Clocking the appliance to ensure the correct firing rate
 - B) Adjusting the primary air, if required, to ensure that the flame does not carbon
 - C) Ensuring that the appliance is venting correctly.

GLASS

- 1) Remove the bottom glass trim by lifting off.
- 2) Release (1 turn) the 4 philips head screws holding the top glass trim and remove.
- 3) Unscrew the 2 philips head screws holding the glass clips on (be sure to support the glass while doing this as it will fall) and lift out of bottom glass support.

Note: To re-install the glass, reverse the procedure.



INSTALLATION INSTRUCTIONS

VENTING

THE APPLIANCE MUST NOT BE CONNECTED TO A CHIMNEY FLUE SERVING A SEPARATE SOLID FUEL BURNING APPLIANCE.

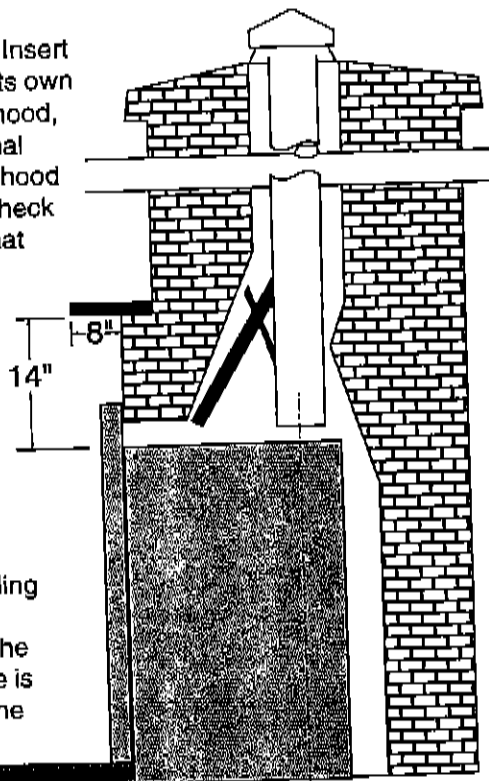
This appliance is designed to attach to a 4" diameter type B-Vent or double thickness aluminum flex liner.

The flue collar of the appliance will fit inside a standard vent and may be fastened directly to the vent by sheet metal screw or a B-Vent, single wall vent connector.

B-Vent chimneys require a 1" clearance to combustibles.

The Regency Insert incorporates its own internal draft hood, so no additional external draft hood is required. Check periodically that the vent is unrestricted and an adequate draft is present when the unit is in operation.

Before installing vent system ensure that the damper plate is locked into the open position and secure to prevent the damper plate from falling down and crushing the liner.

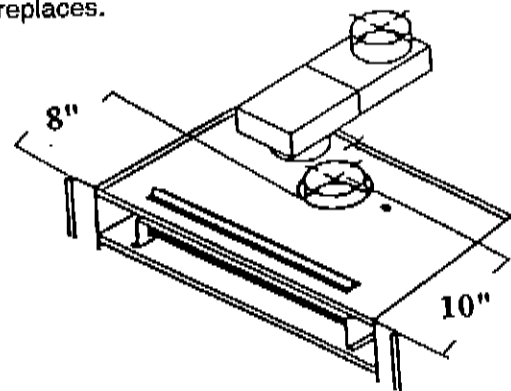


Follow CAN/CGA B149 (in Canada) or ANSI Z223.1 (in the USA) requirements, and any local codes or regulations of the enforcing authority.

Air for combustion is drawn in through the front of the unit, therefore, the front of the unit must be kept clear of any obstructions.

FLUE EXTENDER KIT

A flue extender kit is available as an accessory to move the flue outlet back for easier liner installations in deep fireplaces.

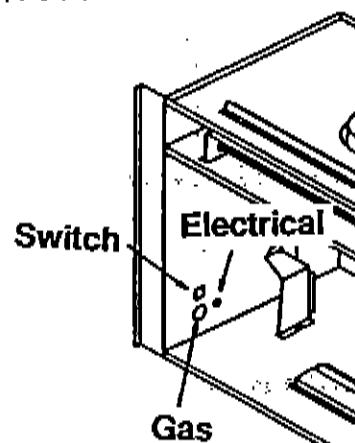


GAS CONNECTION

GAS CONNECTION WARNING:

Only persons licensed to work with gas piping may make the necessary gas connections to this appliance.

- 1) If the appliance is to be installed into an existing chimney system, thoroughly clean the masonry fireplace that has been chosen for the Regency Gas Fireplace.
- 2) The appliance is provided with an opening on the left hand side of the control compartment. A 1/2" gas supply pipe must be brought near this inlet hole.

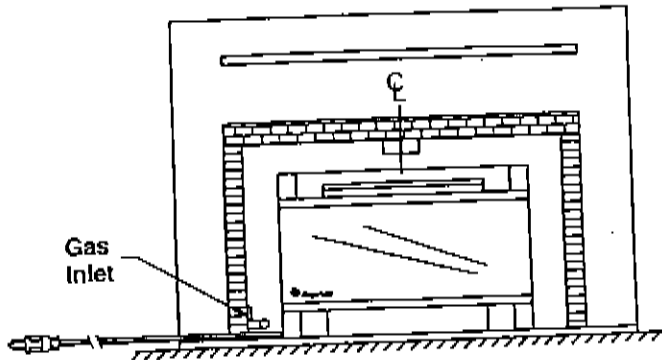


Regency Gas Fireplace Insert

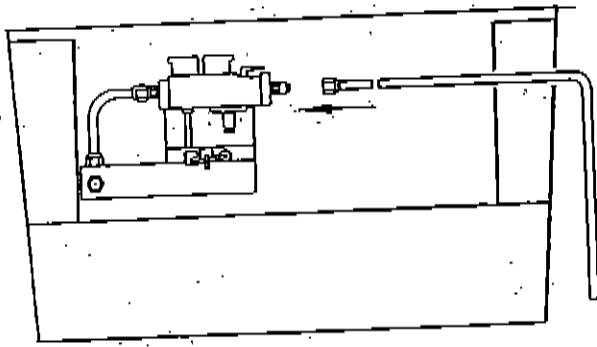
INSTALLATION INSTRUCTIONS

VENT/AERATION SYSTEM

The aeration adjustment rod is attached to the air shutter which is located just above the piezo bracket. The rod is used to adjust the aeration on the main burner without having to take the appliance apart. This adjustment is performed by the installer and is primarily used in installations at high elevations. Push the rod for a blue flame, or pull the rod to make the flame more yellow.

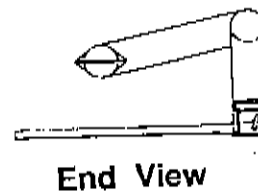
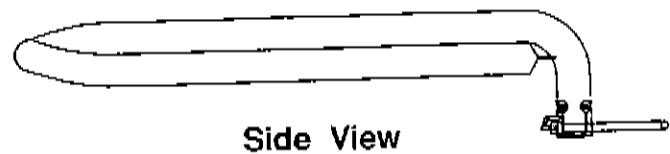
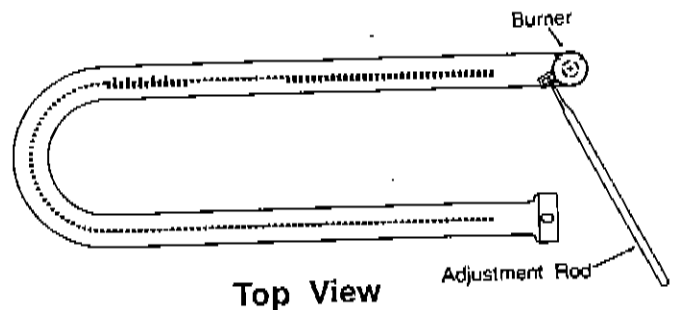


- 3) Locate the center point where the vent will pass through the chimney above the appliance. Move the appliance into the exact location where it is to be installed. Ensure that the insert is level.



- 4) The installer must provide a 1/8" N.P.T. valve with a plugged tapping, accessible for test gauge connection, immediately upstream of the gas supply connection to the appliance.
- 5) Once the gas has been connected ensure that the pilot valve is in line with burner.

CAUTION: If the glass is removed for servicing, it must be replaced prior to operating the appliance. The glass must be fixed in the closed position when operating.



INSTALLATION INSTRUCTIONS

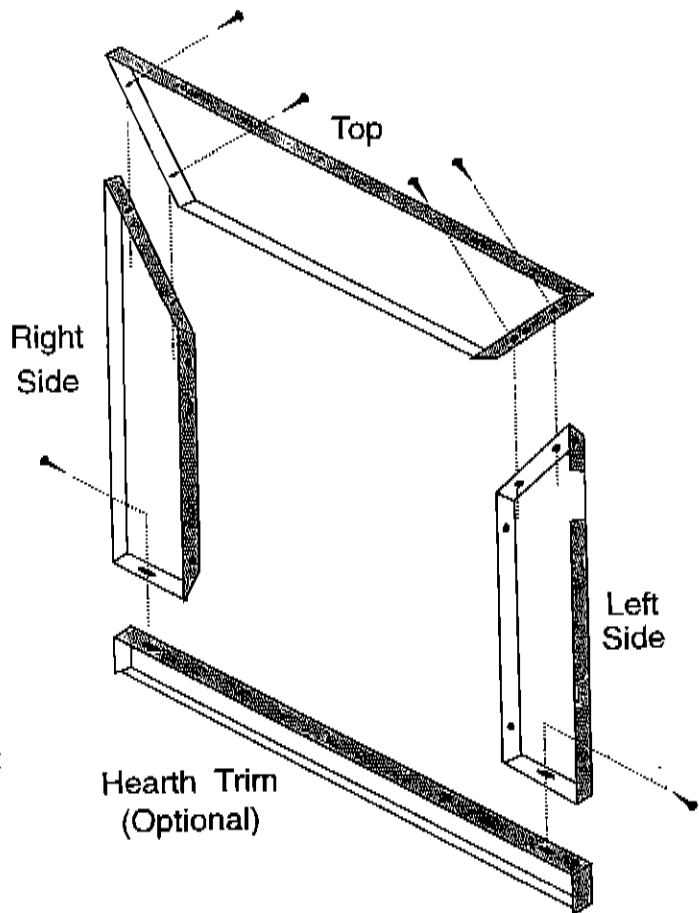
FACEPLATE & TRIM INSTALLATION

- 1) Lay the faceplate panels flat, facedown on something soft so they don't scratch.
- 2) Take the top faceplate and align the holes in it with the holes in the side panels. Using the screws provided, attach from the top of the panel (the holes in the top panel are slightly larger than the holes in the side panel to facilitate easier installation). Diagram 3.

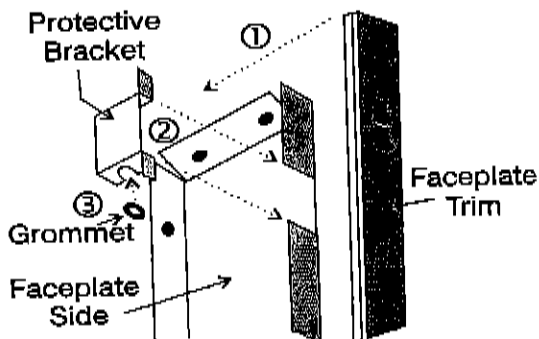
Hint: Don't tighten the screws down completely at this point, continue on with steps 3) to 5) and do a trial fit to the unit. Make any necessary adjustments and when it fits properly then tighten down the screws.

Hearth Trim Option: Attach the Hearth Trim to the bottom of the faceplate side panels with the screws provided. See Diagram 3.

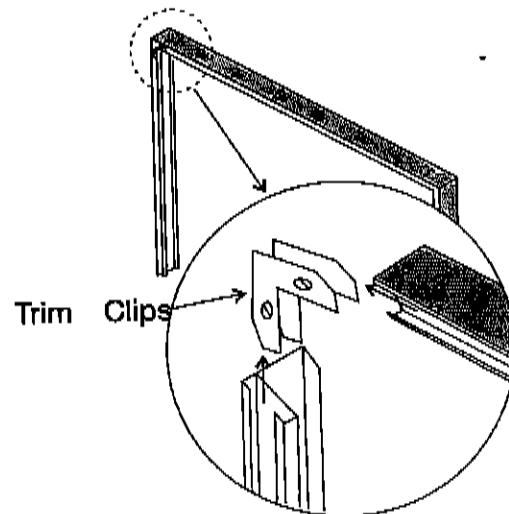
- 3) Pull black and white wires through grommet and connect to on/off switch. Install protective bracket to faceplate trim. Insert grommet and wires. Insert protective bracket between faceplate side and faceplate trim. Diagram 4.
- 4) Using the connectors provided, join the left side trim with the switches to the top trim. Diagram 5.
- 5) Place the trim on the assembled faceplate panels, aligning the wire connections from the switches with the notch on the left side panel.
- 6) Connect the right side trim to the top trim.



Rear View: Faceplate Assembly
Diagram 3

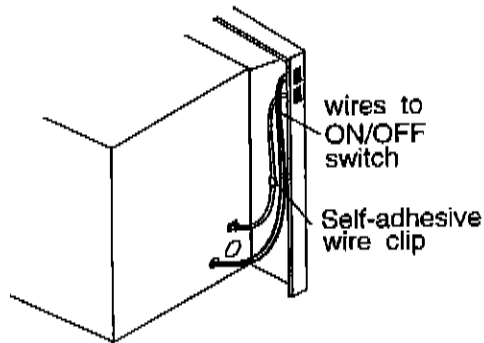


Protective Bracket Assembly
Diagram 4



Rear View: Trim Assembly
Diagram 5

INSTALLATION INSTRUCTIONS



Rear View

Diagram 6

- 7) Connect the plug end from the switches to the matching plug from the unit. Make sure the plugs are pushed together as far as they can go. Push the connection into the hole in the side of the insert so it is locked into place. Tuck the wires into the faceplate to keep them away from the insert using the clip provided. Attach the clip to the rear of the faceplate to ensure that the wires do not touch the side of the unit. Diagram 6.
- 8) The power cord should be run behind the faceplate panel.
- 9) Attach the brass trim to the faceplate by drilling a hole through into the faceplate using the hole in the trim as a guide. Fasten the trim to the faceplate panels using the gold plated screws. Diagram 7.
- 10) Attach the faceplate panels to the insert body using the 4 remaining screws. Diagram 8.
- 11) Push the Regency logo plate into the two holes in the bottom left corner of the faceplate.

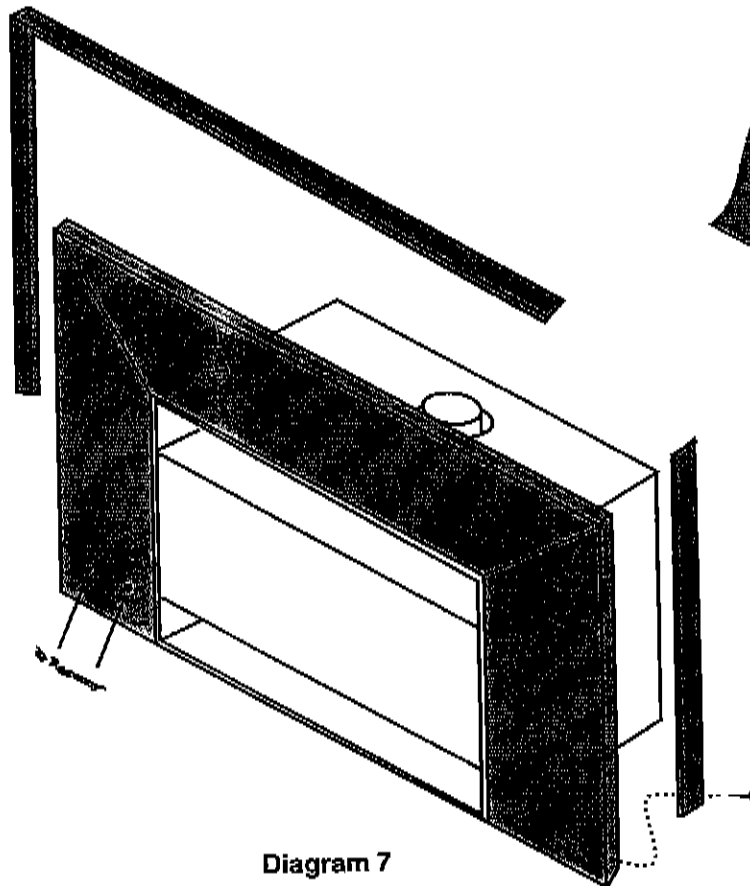


Diagram 7

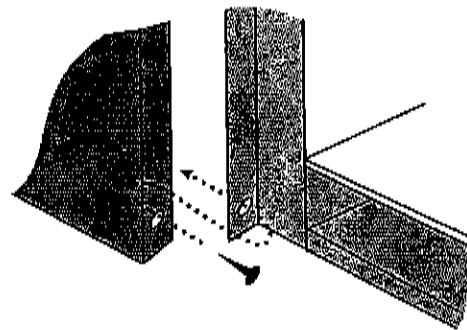


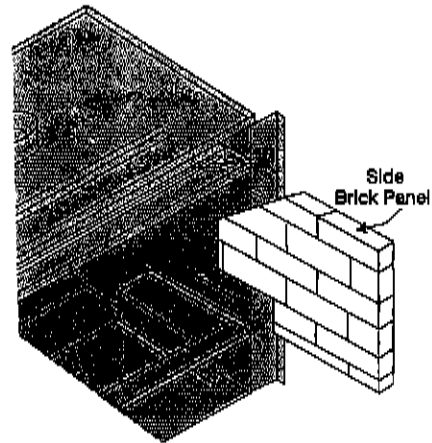
Diagram 8

INSTALLATION INSTRUCTIONS

OPTIONAL BRICK PANEL

- 1) Unwrap the brick pattern panels from the protective wrapping.
- 2) With the glass removed, position the back panel first, then the two side panels. Slide the side brick panel into place from the front of the firebox, there is a tab at the top of unit to hold the panel in place.
- 3) The brick panels should be tight against the firebox side and back. The side panels should be flush with the glass.

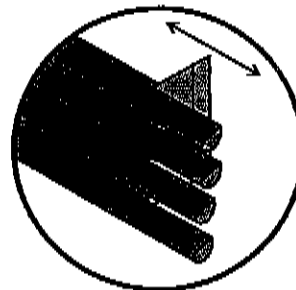
Use caution when sliding side panels in as they can easily be scratched by the glass support plate.



LOUVERS

The top louver is held in place by friction fit, if the louver needs to be adjusted; bend the bracket out as shown in the diagram. Louvers must be installed as shown.

To get better access for installing the bottom louver remove the front flame deflector. Lay the bottom louver flat and position the holes in the hinges over the holes in the base of the insert. Fasten with the 4 screws that are supplied with the louvers (2 per hinge). See diagram.



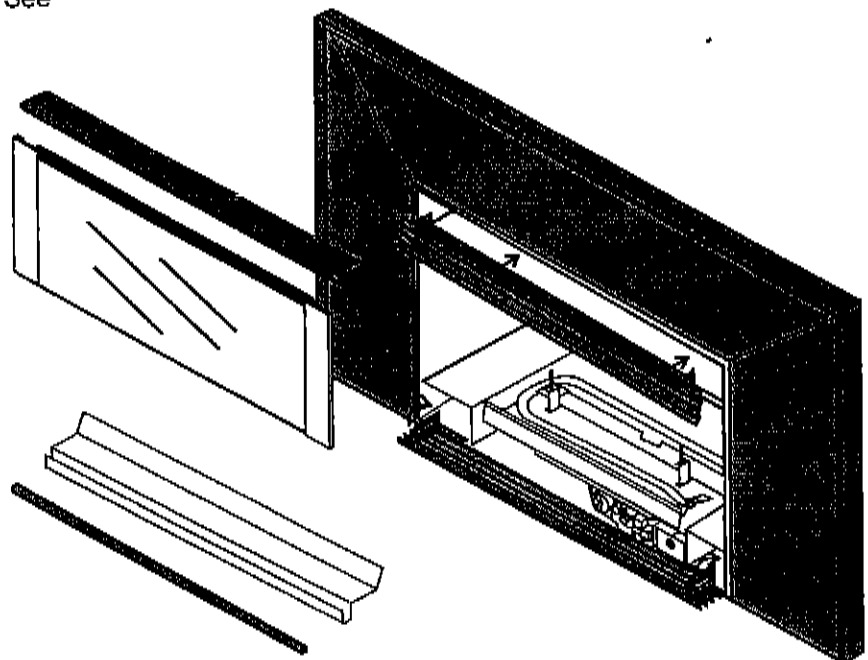
Bend tabs for tightness adjustment on Top Louvers



Top View



Side View



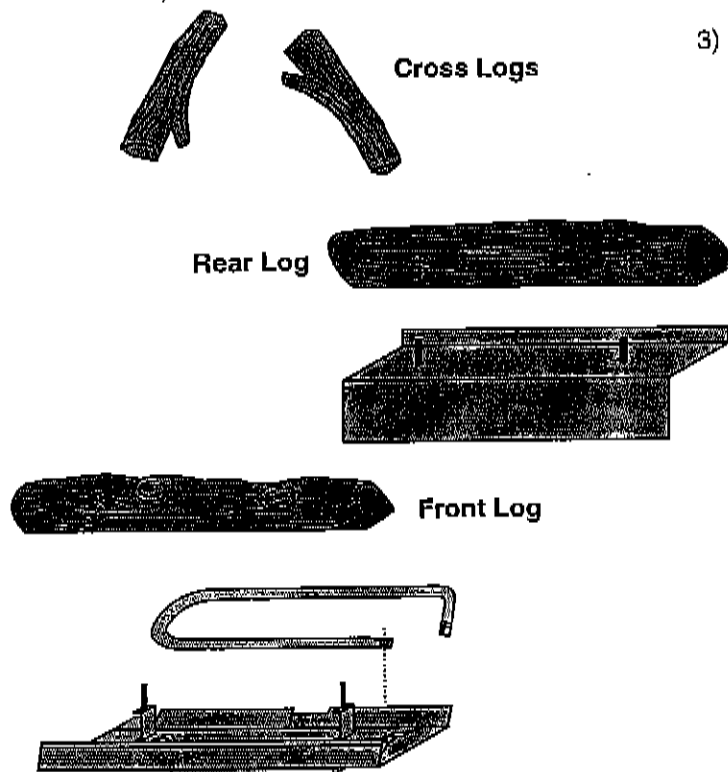
INSTALLATION INSTRUCTIONS

LOGS

WARNING: Dangerous operating conditions may occur if these logs are not positioned in their Warnock Hersey certified locations. Read the following instructions carefully and refer to the attached diagram.

The gas log kit contains four (4) logs:

- 1) Rear Log: 3" diameter by 20" long (# 902-132)
- 2) Front Log: 2-3/4" diameter by 19-3/4" long (# 902-130)
- 3) Set of 2 Cross Logs: 2" diameter by 8" long (# 902-134)



POSITIONING THE LOG SET

- 1) Place the larger diameter log (without any knots), #902-132, in the back of the unit, aligning the holes on the underside of the log with the pins sticking up in the rear of the unit. Carefully push the log down onto the pins. See Diagrams 9 and 10.
- 2) Place the smaller diameter log, #902-130 in the front of the heater, aligning the holes on the underside of the log with the pins on the front supports. Carefully push the log down onto the pins. See Diagrams 9 and 10.
- 3) Place the two cross logs, #902-134, on the cutouts on the front and rear log, as in Diagram 11.

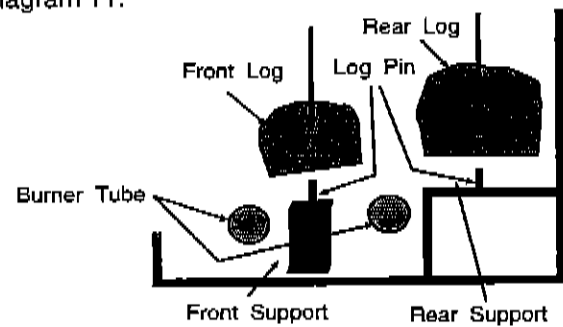


Diagram 9: Side View

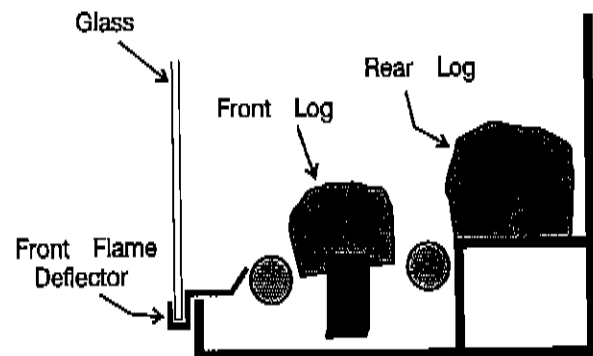


Diagram 10: Side View



Diagram 11: Top View

OPERATING INSTRUCTIONS

OPERATING INSTRUCTIONS

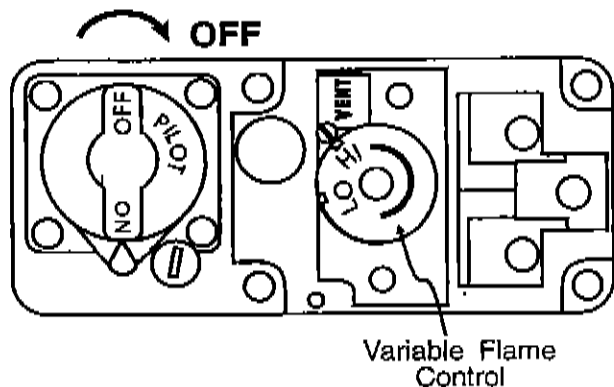
- 1) Upon completing the gas line connection, a small amount of air will be in the lines. When first lighting the appliance, it will take a few seconds for the lines to purge themselves of air. Once purging is completed, the pilot and burners will light when the top switch (burner) is flicked on. Subsequent lightings of the appliance will not require such purging.

NOTE: Propane systems may go into "lockout" during purging. The system can be manually reset after 30 seconds.

- 2) When lit for the first time, the appliance will emit a slight odor for an hour or two. This is due to the "burn-in" of internal paints used in manufacturing and burn off of starch in the logs. You may wish to open a few windows to ventilate the room for a couple of hours. Again, this is a "one time" burn-in procedure and is not uncommon among gas fired appliances.
- 3) When lighting the appliance, the inside of the glass may fog up. This will burn off after a few minutes of operation.

DO NOT BURN THE APPLIANCE WITHOUT THE GLASS FRONT IN PLACE.

- 4) The bottom switch operates the fan which forces heated air into the room. The three position switch allows you to select HIGH (top) or LOW (bottom). OFF is the middle position.



STANDING PILOT UNITS

U23-NC & U23-EP

LIGHTING PROCEDURE

IMPORTANT: Gas cock knob cannot be turned from "PILOT" to "OFF" unless it is partially depressed.

- 1) Turn burner OFF using "ON/OFF" switch.
- 2) Turn gas control knob so indicator points to "OFF" position and allow 5 minutes for any air in the system to escape.
- 3) Turn gas control knob counterclockwise so indicator points to the "PILOT" position. Depress fully the gas control knob. Depress the igniter button several times until the pilot lights. After approximately one minute, release the gas control knob. The pilot flame should continue to burn. If the pilot does not remain lit, repeat operation allowing a longer period before releasing gas control knob.
- 4) When the pilot stays lit, turn the gas knob further counterclockwise to the "ON" position.
- 5) Use the rocker switch to operate the main burner.
- 6) Rotate the flame height regulator to adjust the flame height higher or lower.

SHUTDOWN PROCEDURE

- 1) Use the rocker switch to turn off the main burner.
- 2) Turn the main gas control clockwise to the "OFF" position to turn off the pilot.
- 3) Turn off all electric power to appliance if service is to be performed.

MAINTENANCE

MAINTENANCE

- 1) Always turn gas cock on valve to OFF before cleaning. For re-lighting, refer to lighting instructions.
- 2) Clean glass (never when unit is hot) and appliance, faceplate and louvers with a damp cloth. Never use an abrasive cleaner. The gold louvers or gold bond faceplate may be scratched if abrasives are used to clean them.
The heater is finished in a heat resistant paint and should not be refinished with wall paint.
- 3) Keep control compartment, logs, burners and area surrounding the logs clean by vacuuming or brushing at least twice a year.
- 4) The appliance and venting system should be inspected before use or at least annually by a qualified field service person.
- 5) Always keep the appliance area clear and free from combustible materials, gasoline and other flammable vapors and liquids.
- 6) Never obstruct the flow of combustion and vent-ilation air. Keep the lower louvers clear of all obstacles and materials.
- 7) Make a periodic check of burner and pilot flames.

WARRANTY

WARRANTY

Regency Fireplace Products are designed with reliability and simplicity in mind. In addition, our internal Quality Assurance team carefully inspects each unit thoroughly before it leaves our door. Regency Industries Ltd. is pleased to extend this warranty to the original purchaser of a Regency product.

HEAT EXCHANGER & COMBUSTION CHAMBER

Regency Industries Limited warrants all Combustion Chambers to be free from defects in workmanship & material to the original purchaser for a period of 5 years from date of purchase.

Note: Discoloration and some minor movement of certain parts is normal and is not a defect and therefore not covered under warranty. Overfiring of any appliance can cause serious damage and it is the responsibility of the installer to ensure that the appliance is firing as per rating plate.

ELECTRICAL COMPONENTS

Electrical components & valves are warranted for 1 year from purchase date.

Note: Any part or parts which in our judgement show evidence of such defects will, at our option, be repaired or replaced through an accredited distributor or agent, provided that the defective part(s) is shipped back PREPAID to the distributor or agent.

CONDITIONS & EXCLUSIONS

The serial # of the unit must be supplied along with the bill of sale, showing date of purchase, at time of claim being submitted. This unit must be installed by a Qualified Gas Fitter: **any service call related to improper installation will not be honored. The appliance must be installed according to the installation instructions provided.**

Products made by other manufacturers and used in conjunction with the operation of this appliance may nullify your warranty. Regency Industries Ltd. shall in no event be liable for any special, indirect, consequential damages of any nature whatsoever which are in excess of the original purchase price of the product.

The warranty will not extend to paint, glass, logs, burners or trim. The warranty will not extend to any part which has been tampered with or altered in any way, or in our judgement has been subjected to misuse, negligence or accident.

Complete the following information for future reference:

Serial No.

Date Purchased

Model

Dealer's name

Dealer's address

