



Regency Horizon™ HZ42STEPV Gas Fireplace

Owners &
Installation Manual

MODELS: HZ42STEPV-NG Natural Gas
HZ42STEPV-LP Propane



www.regency-fire.com

WARNING:

If the information in these instructions are not followed exactly, a fire or explosion may result causing property damage, personal injury or loss of life.

FOR YOUR SAFETY

Do not store or use gasoline or other flammable vapors and liquids in the vicinity of this or any other appliance.

Installation and service must be performed by a qualified installer, service agency or the gas supplier.

FOR YOUR SAFETY

What to do if you smell gas:

- Do not try to light any appliance
- Do not touch any electrical switch: do not use any phone in your building.
- Immediately call your gas supplier from a neighbour's phone. Follow the gas supplier's instructions.
- If you cannot reach your gas supplier, call the fire department.

Tested by:



Installer: Please complete the details on the back cover and leave this manual with the homeowner.

Homeowner: Please keep these instructions for future reference.

To the New Owner:

Congratulations!

You are the owner of a state-of-the-art Gas Fireplace by REGENCY®. The HZ42STEPV has been designed to provide you with all the warmth and charm of a fireplace at the flick of a switch. The model HZ42STEPV has been approved by Warnock Hersey/Intertek for both safety and efficiency. As it also bears our own mark, it promises to provide you with economy, comfort and security for many trouble free years to follow. Please take a moment now to acquaint yourself with these instructions and the many features of your Regency® Fireplace.




**HOT GLASS WILL
CAUSE BURNS**

**DO NOT TOUCH GLASS
UNTIL COOLED**


**NEVER ALLOW CHILDREN
TO TOUCH GLASS**



*Regency Horizon
Gas Inserts Benefits Video*



We recommend that our products be installed and serviced by professionals who are certified in the U.S. by the National Fireplace Institute® (NFI) or in Canada by Wood Energy Technical Training (WETT).



MANUFACTURED MOBILE HOME REQUIREMENTS

INFORMATION FOR MOBILE/MANUFACTURED HOMES AFTER FIRST SALE

This Regency® product has been tested and listed by Warnock Hersey/Intertek as a Direct Vent Wall Furnace to the following standards: VENTED GAS FIREPLACE HEATERS ANSI Z21.88a-2007 / CSA 2.33a-2007 and GAS-FIRED APPLIANCES FOR USE AT HIGH ALTITUDES CAN / CGA 2.17-M91.

This Direct Vent System Appliance must be installed in accordance with the manufacturer's installation instructions and the Manufactured Home Construction and Safety Standard, Title 24 CFR, Part 3280, or the current Standard of Fire Safety Criteria for Manufactured Home Installations, Sites, and Communities ANSI/NFPA 501A, and with CAN/CSA Z240-MH Mobile Home Standard in Canada.

This appliance installation must comply with the manufacturer's installation instructions and local codes, if any. In the absence of local codes follow the current National Fuel Gas Code, ANSI Z223.1 and the current National Electrical Code ANSI/NFPA 70 in the U.S.A., and the current CAN/CGA B149 Gas Installation Code and the current Canadian Electrical Code CSA C22.1 in Canada.

This appliance comes equipped with a dedicated #8 Ground Lug for attachment of the ground wire to the steel chassis as applicable to local codes.

The appliance, when installed, must be electrically grounded in accordance with local codes or, in the absence of local codes, with the National Electrical Code, ANSI/NFPA 70, or the Canadian Electrical Code, CSA C22.1.

This appliance may only be installed in an aftermarket permanently located, manufactured (U.S.A only) or mobile home, where not prohibited by local codes.

This appliance can only be used with the type of gas indicated on the rating plate. This appliance is not convertible for use with other gases.

Ensure that structural members are not cut or weakened during installation.

TABLE OF CONTENTS

SAFETY LABEL

Copy of Safety Decal.....	5
---------------------------	---

REQUIREMENTS

MA Code - CO Detector.....	6
----------------------------	---

DIMENSIONS

Unit Dimensions	7
-----------------------	---

INSTALLATION

Important Message	8
Before You Start	8
General Safety Information.....	8
Installation Checklist.....	9
Locating Your Gas Fireplace	9
Clearances	10
Non-Combustible Requirements	10
Mantel Leg Clearances.....	11
Mantel Clearances.....	11
Unit Assembly Prior To Installation	12
Standoff Assembly	12
Horizontal vent Deflector installation	12
Nailing Strips.....	12
Framing & Finishing.....	13
Framing dimensions	14
Framing dimensions with negative vent Run	15
Vent Restrictor Position	16
Gas Power Vent Installation	17
Rigid Pipe only.....	17
Exterior Vent Termination Requirements.....	18
Venting Arrangements for Horizontal Terminations	19
Pipe connection from terminal to unit	22
Power vent wiring diagram	25
4" x 6-5/8" Rigid Pipe Cross Reference Chart.....	26
High Elevation Gas Line Installation.....	28
Pilot Adjustment.....	28
Gas Pipe Pressure Testing	28
886 S.I.T. Valve Description.....	28
Aeration Adjustment	28
Optional fan Wiring Diagram	29
Without ProFlame GTMF system	29
Optional Remote Control.....	30
Optional accent lighting Wiring Diagram	30
Wall mount receiver installation.....	31
Battery installation	33
GT remote Installation	33

GTM remote installation	34
GTMF remote installation	35
Optional Reflective Panel Installation.....	37
Optional light Installation	38
Glass Crystals or optional ceramic stones	41
Optional Pebble /crystal Installation for Firebox Base	42
Glass door Installation	43
Faceplate Installation.....	44

OPERATING INSTRUCTIONS

Operating Instructions	46
First Fire	46
Lighting Procedure	46
Shutdown	46
Procedure	46
Normal Operating Sounds of Gas Appliances.....	46
Maintenance Instructions.....	47
General Vent Maintenance	47
Glass Gasket	47
Glass Door.....	47
Glass Replacement	47
Copy of Lighting Plate Instructions	48
Glass Door Removal	49
Valve Tray Replacement.....	50
Main Assembly	52
Accessories	53


WARRANTY

The Warranty: Limited Lifetime	55
--------------------------------------	----

This is a copy of the label that accompanies each HZ42STEPV-NG and HZ42STEPV-LP Direct Vent Gas Fireplace. We have printed a copy of the contents here for your review.

NOTE: Regency® units are constantly being improved. Check the label on the unit and if there is a difference, the label on the unit is the correct one.

Duplicate S/N
376



DO NOT REMOVE THIS LABEL / NE PAS ENLEVER CETTE ÉTIQUETTE

Listed: VENTED GAS FIREPLACE HEATER / FOYER AU GAZ À ÉVACUATION
Tested to: CAN/CGA-2.17-M91(R2009)
Conforms to: ANSI Z21.88-2009
Certified to: CSA 2.33-2009
MAY BE INSTALLED IN MANUFACTURED (MOBILE) HOMES AFTER FIRST SALE.

Serial No./ No de serie
376

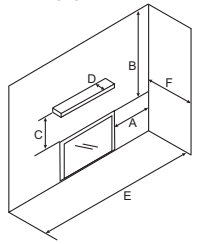
NATURAL GAS: Model HZ42STEPV-NG

Minimum supply pressure	5.0"	WC/C.E.	(1.25 kPa)
Manifold pressure high	3.5"	WC/C.E.	(0.87 kPa)
Manifold pressure low	1.6"	WC/C.E.	(0.40 kPa)
Orifice size	#40	DMS	
Minimum input	17,500	Btu/h	(5.13 kW)
Maximum input	26,000	Btu/h	(7.62 kW)
Altitude	0-4500	ft/pi	(0-1372 m)

**APPAREIL FONCTIONNANT AU NATURAL GAS
 CONCU POUR ETRE POELE: Modèle HZ42STEPV-NG**

Pression d'alimentation minimum	
Pression à la tubulure d'échappement élevée	
Pression à la tubulure d'échappement basse	
Grandeur de l'injecteur	
Débit Calorifique minimum selon l'altitude	
Débit Calorifique maximum selon l'altitude	

Minimum Clearances to Combustibles /
 Degagement Minimum De Materiaux Combustibles



Side Walls	
A	8" (203mm)
Ceiling	
B	22" (559mm)
Min. Mantel Height	
C	13" (330mm)
Max. Mantel Depth	
D	13" (330mm)
Alcove Width	
E	84" (2133mm)
Alcove Depth	
F	36" (914mm)

DOOR SEAL: Please check that the door is properly sealed

(See Instruction Manual for detailed instructions)

This appliance must be installed in accordance with local codes, if any; if none, follow the National Fuel Gas Code, ANSI Z223.1, or Natural Gas and Propane Installation Code, CSA B149.1. This appliance must be installed in accordance with the Standard CAN/CSA Z240 MH, Mobile Housing, in Canada, or with the Manufactured Home Construction and Safety Standard, Title 24 CFR, Part 3280, in the United States, or when such a standard is not applicable, ANSI/NCSBSC A225.1/NFPA 501A, Manufactured Home Installations Standard or ANSI A119.2 ou NFPA 501C Standard for Recreational Vehicles. This appliance is only for use with the type of gas indicated on the rating plate and may be installed in an aftermarket, permanently located, manufactured (mobile) home where not prohibited by local codes. See owner's manual for details. Listed for use with Power Vent Kit #946-705.

Installer l'appareil selon les codes ou règlements locaux, ou, en l'absence de tels règlements, selon les codes d'installation ANSI Z223.1, National Fuel Gas Code ou CSA-B149.1 en vigueur. Installer l'appareil selon la norme CAN/CSA-Z240, Série MM, Maison mobiles ou CAN/CSA-Z240 VC, Véhicules de camping, ou la norme 24 CFR Part 3280, Manufactured Home Construction and Safety Standard. Si ces normes ne sont pas pertinentes, utilisez la norme ANSI/NCSBSC A225.1/NFPA 501A, Manufactured Home Installations Standard, ou ANSI A119.2 ou NFPA 501C Standard for Recreational Vehicles. Homologué avec terminaison à évacuation mécanique 946-705.

Cet appareil doit être utilisé uniquement avec le type de gaz indiqué sur la plaque signalétique. Cet appareil peut être installé dans une maison préfabriquée ou mobile (É.-U. seulement) installée à demeure si les règlements locaux le permettent. Voir la notice de l'utilisateur pour plus de renseignements. Cet appareil ne peut pas être utilisé avec d'autres gaz sauf si une trousse de conversion certifiée est fournie.

This vented gas fireplace heater is not for use with air filters. Ne pas utiliser de filtre à air avec ce foyer au gaz à évacuation.

FOR USE WITH GLASS DOORS CERTIFIED WITH THE APPLIANCE ONLY POUR UTILISATION UNIQUEMENT AVEC LES PORTES EN VERRE CERTIFIÉES AVEC L'APPAREIL

Electrical supply / Électrique 115VAC, 2.5 A, 60Hz. Made in Canada/ Fabriqué au Canada
 NOT FOR USE WITH SOLID FUELS. / NE PAS UTILISER AVEC DU COMBUSTIBLE SOLIDE. **FPI Fireplace Products International Ltd. Delta, BC, Canada** 918-950a

For the State of Massachusetts, installation and repair must be done by a plumber or gasfitter licensed in the Commonwealth of Massachusetts.

For the State of Massachusetts, flexible connectors shall not exceed 36 inches in length.

For the State of Massachusetts, the appliances individual manual shut-off must be a t-handle type valve.

The State of Massachusetts requires the installation of a carbon monoxide alarm in accordance with NFPA 720 and a CO alarm with battery back up in the same room where the gas appliance is installed.

Regency Horizon™ HZ42STEPV Gas Fireplace 5

MA Code - CO Detector (for the State of Massachusetts only)

5.08: Modifications to NFPA-54, Chapter 10

(2) Revise 10.8.3 by adding the following additional requirements:

(a) For all side wall horizontally vented gas fueled equipment installed in every dwelling, building or structure used in whole or in part for residential purposes, including those owned or operated by the Commonwealth and where the side wall exhaust vent termination is less than seven (7) feet above finished grade in the area of the venting, including but not limited to decks and porches, the following requirements shall be satisfied:

1. **INSTALLATION OF CARBON MONOXIDE DETECTORS.** At the time of installation of the side wall horizontal vented gas fueled equipment, the installing plumber or gasfitter shall observe that a hard wired carbon monoxide detector with an alarm and battery back-up is installed on the floor level where the gas equipment is to be installed. In addition, the installing plumber or gasfitter shall observe that a battery operated or hard wired carbon monoxide detector with an alarm is installed on each additional level of the dwelling, building or structure served by the side wall horizontal vented gas fueled equipment. It shall be the responsibility of the property owner to secure the services of qualified licensed professionals for the installation of hard wired carbon monoxide detectors

a. In the event that the side wall horizontally vented gas fueled equipment is installed in a crawl space or an attic, the hard wired carbon monoxide detector with alarm and battery back-up may be installed on the next adjacent floor level.

b. In the event that the requirements of this subdivision can not be met at the time of completion of installation, the owner shall have a period of thirty (30) days to comply with the above requirements; provided, however, that during said thirty (30) day period, a battery operated carbon monoxide detector with an alarm shall be installed.

2. **APPROVED CARBON MONOXIDE DETECTORS.** Each carbon monoxide detector as required in accordance with the above provisions shall comply with NFPA 720 and be ANSI/UL 2034 listed and IAS certified.

3. **SIGNAGE.** A metal or plastic identification plate shall be permanently mounted to the exterior of the building at a minimum height of eight (8) feet above grade directly in line with the exhaust vent terminal for the horizontally vented gas fueled heating appliance or equipment. The sign shall read, in print size no less than one-half (1/2) inch in size, "**GAS VENT DIRECTLY BELOW. KEEP CLEAR OF ALL OBSTRUCTIONS**".

4. **INSPECTION.** The state or local gas inspector of the side wall horizontally vented gas fueled equipment shall not approve the installation unless, upon inspection, the inspector observes carbon monoxide detectors and signage installed in accordance with the provisions of 248 CMR 5.08(2)(a)1 through 4.

(b) **EXEMPTIONS:** The following equipment is exempt from 248 CMR 5.08(2)(a)1 through 4:

1. The equipment listed in Chapter 10 entitled "Equipment Not Required To Be Vented" in the most current edition of NFPA 54 as adopted by the Board; and

2. Product Approved side wall horizontally vented gas fueled equipment installed in a room or structure separate from the dwelling, building or structure used in whole or in part for residential purposes.

(c) **MANUFACTURER REQUIREMENTS - GAS EQUIPMENT VENTING SYSTEM PROVIDED.** When the manufacturer of Product Approved side wall horizontally vented gas equipment provides a venting system design or venting system components with the equipment, the instructions provided by the manufacturer for installation of the equipment and the venting system shall include:

1. Detailed instructions for the installation of the venting system design or the venting system components; and

2. A complete parts list for the venting system design or venting system.

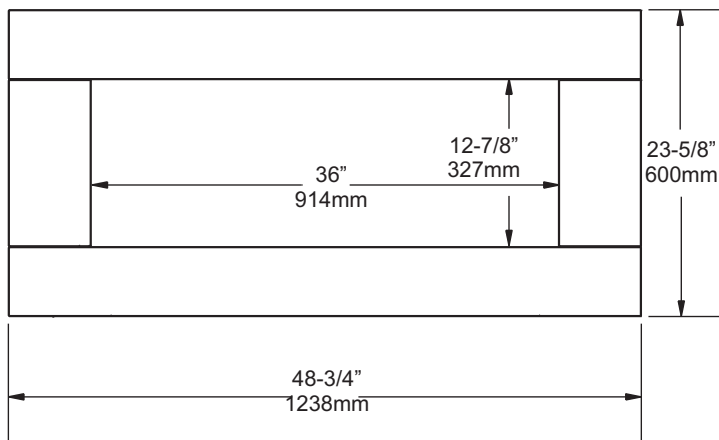
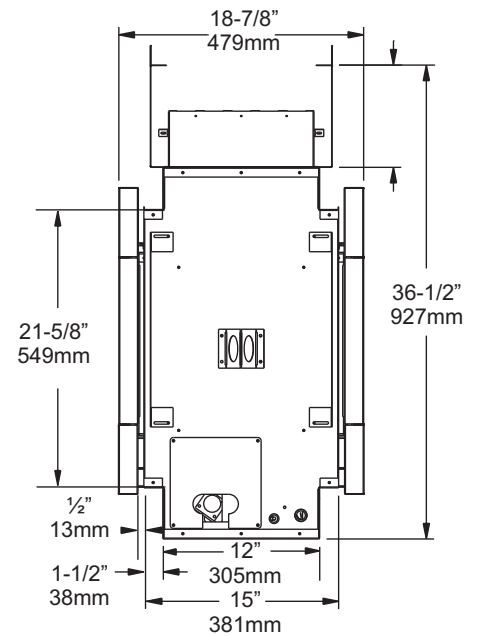
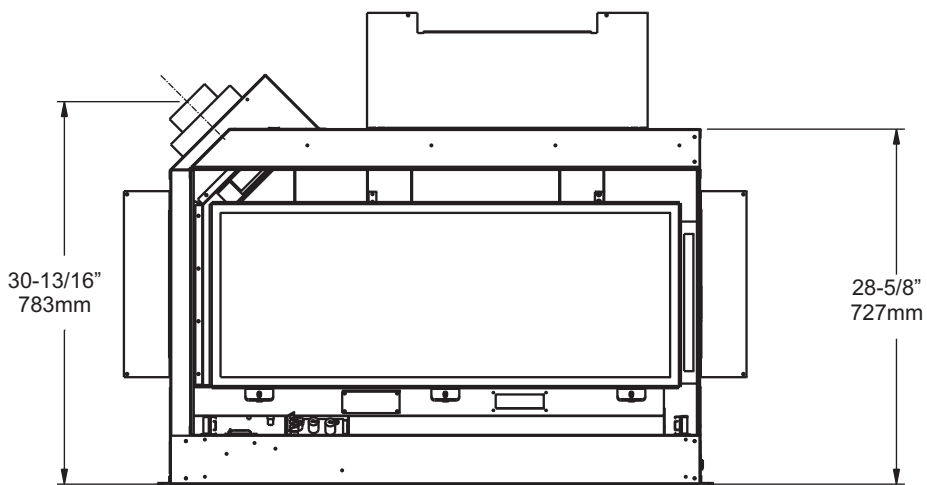
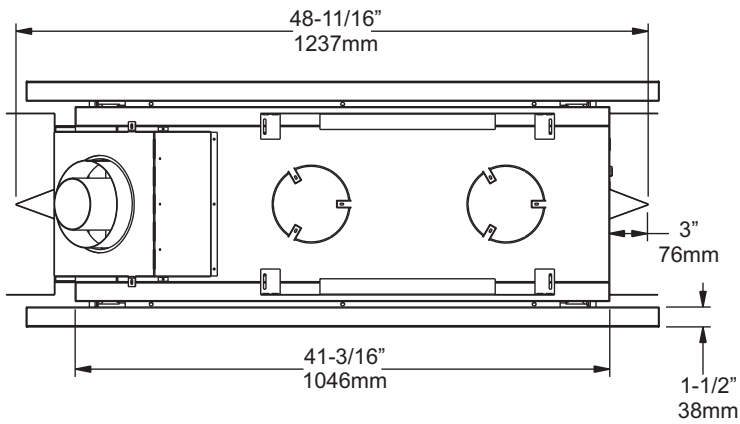
(d) **MANUFACTURER REQUIREMENTS - GAS EQUIPMENT VENTING SYSTEM NOT PROVIDED.** When the manufacturer of a Product Approved side wall horizontally vented gas fueled equipment does not provide the parts for venting the flue gases, but identifies "special venting systems", the following requirements shall be satisfied by the manufacturer:

1. The referenced "special venting system" instructions shall be included with the appliance or equipment installation instructions; and

2. The "special venting systems" shall be Product Approved by the Board, and the instructions for that system shall include a parts list and detailed installation instructions.

(e) A copy of all installation instructions for all Product Approved side wall horizontally vented gas fueled equipment, all venting instructions, all parts lists for venting instructions, and/or all venting design instructions shall remain with the appliance or equipment at the completion of the installation.

UNIT DIMENSIONS



INSTALLATION

IMPORTANT MESSAGE SAVE THESE INSTRUCTIONS

The HZ42STEPV Direct Vent Fireplace must be installed in accordance with these instructions. Carefully read all the instructions in this manual first. Consult the "authority having jurisdiction" to determine the need for a permit prior to starting the installation. It is the responsibility of the installer to ensure this fireplace is installed in compliance with manufacturers instructions and all applicable codes.

BEFORE YOU START

Safe installation and operation of this appliance requires common sense, however, we are required by the Canadian Safety Standards and ANSI Standards to make you aware of the following:

INSTALLATION AND REPAIR SHOULD BE DONE BY AN AUTHORIZED SERVICE PERSON. THE APPLIANCE SHOULD BE INSPECTED BEFORE USE AND AT LEAST ANNUALLY BY A PROFESSIONAL SERVICE PERSON. MORE FREQUENT CLEANING MAY BE REQUIRED DUE TO EXCESSIVE LINT FROM CARPETING, BEDDING MATERIAL, ETC. IT IS IMPERATIVE THAT CONTROL COMPARTMENTS, BURNERS AND CIRCULATING AIR PASSAGEWAYS OF THE APPLIANCE BE KEPT CLEAN.

DUE TO HIGH TEMPERATURES, THE APPLIANCE SHOULD BE LOCATED OUT OF TRAFFIC AND AWAY FROM FURNITURE AND DRAPERIES.

WARNING: FAILURE TO INSTALL THIS APPLIANCE CORRECTLY WILL VOID YOUR WARRANTY AND MAY CAUSE A SERIOUS HOUSE FIRE.

CHILDREN AND ADULTS SHOULD BE ALERTED TO THE HAZARDS OF HIGH SURFACE TEMPERATURES, ESPECIALLY THE FIREPLACE GLASS, AND SHOULD STAY AWAY TO AVOID BURNS OR CLOTHING IGNITION.



YOUNG CHILDREN SHOULD BE CAREFULLY SUPERVISED WHEN THEY ARE IN THE SAME AREA AS THE APPLIANCE. TODDLERS, YOUNG CHILDREN AND OTHERS MAY BE SUSCEPTIBLE TO ACCIDENTAL CONTACT BURNS. A PHYSICAL BARRIER IS RECOMMENDED IF THERE ARE AT RISK INDIVIDUALS IN THE HOUSE. TO RESTRICT ACCESS TO A FIREPLACE OR STOVE, INSTALL AN ADJUSTABLE SAFETY GATE TO KEEP TODDLERS, YOUNG CHILDREN AND OTHER AT RISK INDIVIDUALS OUT OF THE ROOM AND AWAY FROM HOT SURFACES.

CLOTHING OR OTHER FLAMMABLE MATERIAL SHOULD NOT BE PLACED ON OR NEAR THE APPLIANCE.

GENERAL SAFETY INFORMATION

- 1) The appliance installation must conform with local codes or, in the absence of local codes, with the current Canadian or National Gas Codes, CAN1-B149 or ANSI Z223.1 Installation Codes.
- 2) The appliance when installed, must be electrically grounded in accordance with local codes, or in the absence of local codes with the current National Electrical Code, ANSI/NFPA 70 or CSA C22.1 Canadian Electrical Code.
- 3) See general construction and assembly instructions. The appliance and vent should be enclosed.
- 4) This appliance must be connected to the specified vent and termination cap to the outside of the building envelope. Never vent to another room or inside a building. Make sure that the vent is fitted as per Venting instructions.
- 5) Inspect the venting system annually for blockage and any signs of deterioration.
- 6) Venting terminals shall not be recessed into a wall or siding.
- 7) Any safety glass removed for servicing must be replaced prior to operating the appliance.
- 8) To prevent injury, do not allow anyone who is unfamiliar with the operation to use the fireplace.
- 9) Wear gloves and safety glasses for protection while doing required maintenance.
- 10) Be aware of electrical wiring locations in walls and ceilings when cutting holes for termination.
- 11) Under no circumstances should this appliance be modified. Parts that have to be removed for servicing should be replaced prior to operating this appliance.
- 12) Installation and any repairs to this appliance should be done by an authorized service person. A professional service person should be called to inspect this appliance annually. Make it a practice to have all of your gas appliances checked annually.
- 13) Do not slam shut or strike the glass door.
- 14) Under no circumstances should any solid fuels (wood, paper, cardboard, coal, etc.) be used in this appliance.
- 15) The appliance area must be kept clear and free of combustible materials, (gases and other flammable vapours and liquids).

Emissions from burning wood or gas could contain chemicals known to the State of California to cause cancer, birth defects or other reproductive harm.

INSTALLATION CHECKLIST

- 1) Locate appliance
 - a) Room location (Refer to "Locating Your Gas fireplace" section)
 - b) Clearances to Combustibles (Refer to "Clearances" section)
 - c) Mantle Clearances (Refer to "Mantle Clearances" section)
 - d) Framing & Finishing Requirements (Refer to "Framing & Finishing" section)
 - e) Venting Requirements (Refer to "Venting" section)
- 2) Make electrical connections for Power Vent System and for unit. 120V power is required to operate unit / power vent system.
- 3) Assemble Top and Side Standoffs (Refer to "Unit Assembly Prior to Installation).
- 4) Slide unit into place.
- 5) Install vent (Refer to "Venting Arrangement" sections).
- 6) Make gas connections (Refer to "Gas Line Installation section).
- 7) Make electrical connections to receptacle supplied with unit (recommended).
- 8) Install 4 AA batteries into battery pack.
- 9) Test the pilot (Refer to "Pilot Adjustment" section).
- 10) Test Gas Pressure (Refer to "Gas Pipe Pressure Testing" section).
- 11) Install standard and optional features. Refer to the following sections:
 - a) Optional Accent Light Installation
 - b) Glass Crystals/ Optional Ceramic Stones
 - c) Optional Firebox Base Pebbles
 - d) Optional Reflective Panels
 - e) Faceplate
 - f) Remote Control or Wall Thermostat
- 12) Wall Mounted ON/OFF Switch:

Use the toggle wall switch supplied with the manual package. Use of a "decor" switch causes higher resistance which is a problem on gas fireplaces.
- 13) Final check.

Before leaving this unit with the customer, the installer must ensure that the appliance is firing correctly and **operation fully explained to customer.**

This includes:

- 1) Clocking the appliance to ensure the correct firing rate (rate noted on label 26,000 Btu/h (NG), after burning appliance for 15 minutes.
- 2) If required, adjusting the primary air to ensure that the flame does not carbon. First allow the unit to burn for 15-20 min. to stabilize.

CAUTION: Any alteration to the product that causes sooting or carboning that results in damage is not the responsibility of the manufacturer.

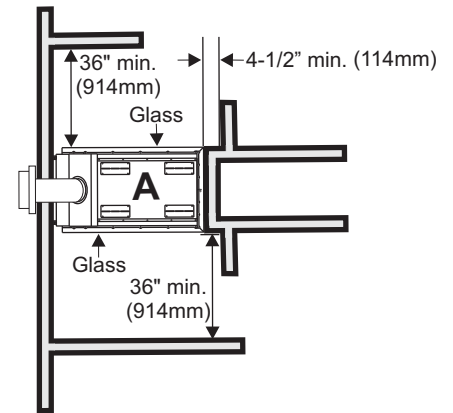
LOCATING YOUR GAS FIREPLACE

- 1) When selecting a location for your fireplace, ensure that the clearances are met as outlined in the "Clearances" section.
- 2) Provide adequate clearances for servicing.
- 3) The appliance must be installed on a flat, solid, continuous surface (e.g. wood, metal, concrete). This may be the floor, or raised up on a platform to enhance its visual impact. If the appliance is going to be installed on carpeting, combustible linoleum tile or other combustible material other than wood flooring, the appliance must be installed on a metal or wood panel extending the full width and depth of the appliance.
- 4) The Direct Vent Gas Fireplace can be installed as follows:

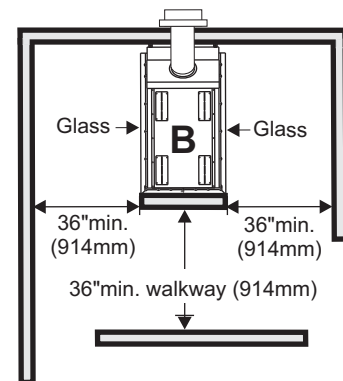
	Model #	Position
A)	HZ42STEPV:	See Thru
B)	HZ42STEPV:	See Thru

- 5) This appliance is Listed for bedroom installations when used with a Listed Millivolt Thermostat. Some areas may have further requirements, check local codes before installation.
- 6) The HZ42STEPV Direct Vent Gas Fireplace is approved for alcove installations, which meet the clearances listed on this page.
- 7) We recommend that you plan your installation on paper using exact measurements for clearances and floor protection before actually installing this appliance. Have a qualified inspector, dealer, or installer review your plans before installation.

Note: For Exterior Vent Termination Locations see section "Exterior Vent Termination Locations."



HZ42STEPV - SEE THRU



HZ42STEPV - SEE THRU

CLEARANCES

The clearances listed below are Minimum distances unless otherwise stated:

A major cause of chimney related fires is failure to maintain required clearances (air space) to combustible materials. It is of the greatest importance that this fireplace and vent system be installed only in accordance with these instructions.

Caution Requirements

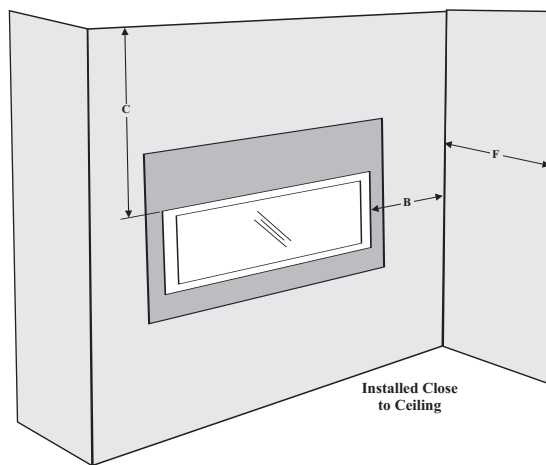
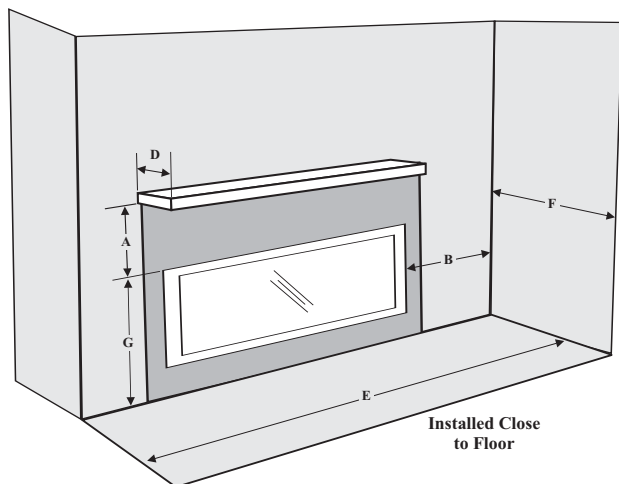
The top, back and sides of the fireplace are defined by standoffs. The metal ends of the standoff may **NOT** be recessed into combustible construction.

WARNING

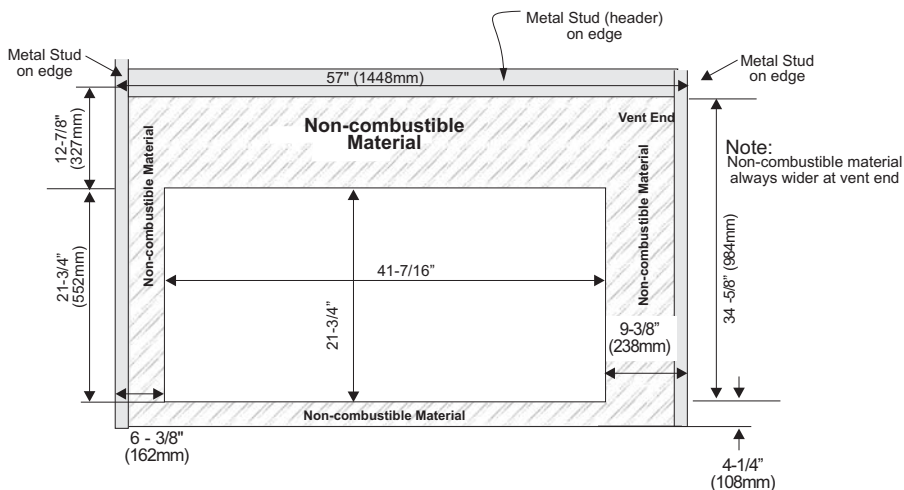
Fire hazard is an extreme risk if these clearances (air space) to combustible materials are not adhered to. It is of greatest importance that this fireplace and vent system be installed only in accordance with these instructions.

Clearance:	Dimension	Measured From:
A: Mantel Height (min.)	13" (330mm)	Top of Fireplace Opening
B: Sidewall (on one side)	8" (203mm)	Side of Fireplace Opening
C: Ceiling (room and/or alcove)	22" (559mm)	Top of Fireplace Opening
D: Mantel Depth (max.)	13" (330mm)	22" Above Fireplace Opening
E: Alcove Width	84" (2134mm)	Sidewall to Sidewall (Minimum)
F: Alcove Depth	36" (914mm)	Front to Back Wall (Maximum)
G: Finished Floor	25-3/4" (654mm)	Top of Fireplace Opening
Note	0" (0mm)	No Hearth Required

Flue Clearances to Combustibles	
Horizontal - Top	3"
Horizontal - Side	2"
Horizontal - Bottom	2"
Vertical	2"
Passing through wall/floor/ceiling - when firestop is used.	1-1/2"



NON-COMBUSTIBLE REQUIREMENTS

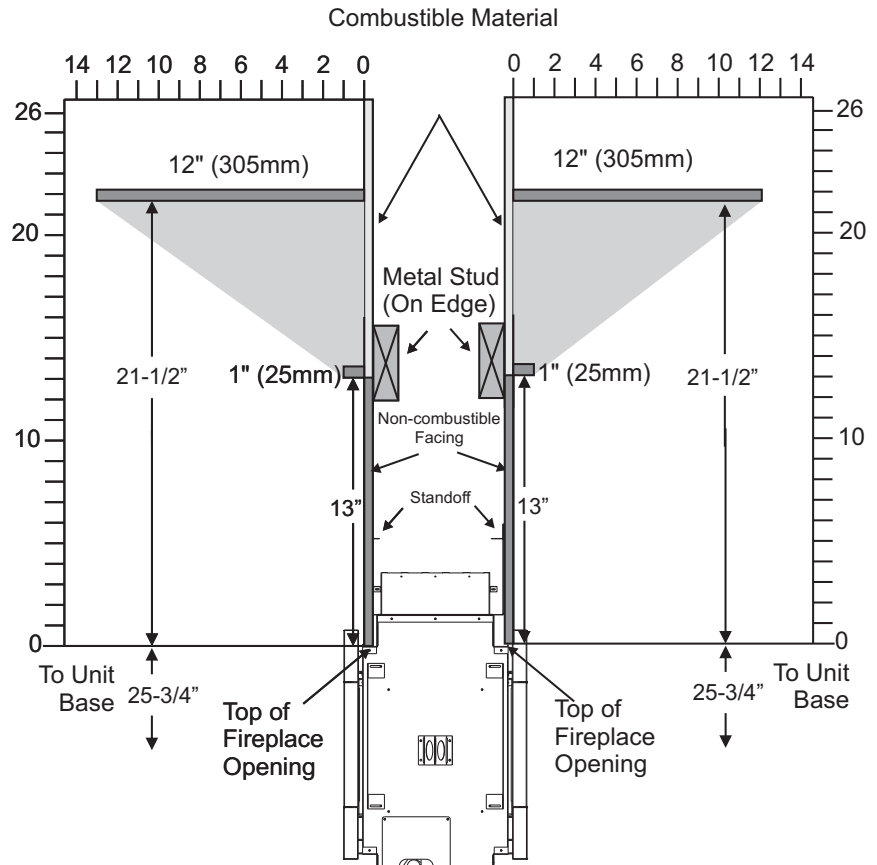


MANTEL CLEARANCES

Due to the extreme heat this fireplace emits, the mantel clearances are critical. Combustible mantel clearances from top of front facing are shown in the diagram on the right.

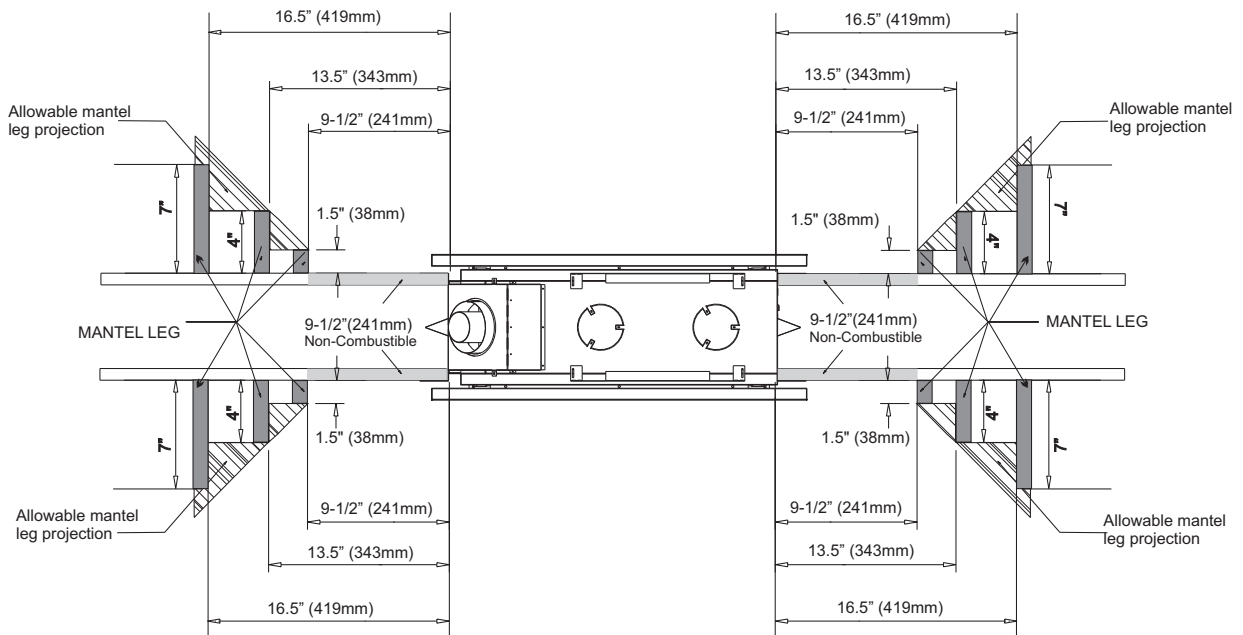
Note: A non-combustible mantel may be installed at a lower height if the framing is made of metal studs covered with a non-combustible board.

Note: Ensure the paint that is used on the mantel and the facing is "High Quality" or the paint may discolour.



MANTEL LEG CLEARANCES

Combustible mantel leg clearances as per diagram:



INSTALLATION

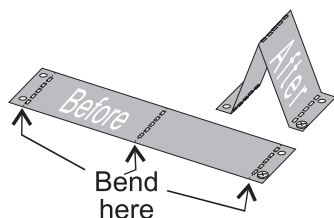
UNIT ASSEMBLY PRIOR TO INSTALLATION

The Standoffs and Nailing Strips must be correctly positioned and attached to the firebox before unit is slid into position.

STANDOFF ASSEMBLY

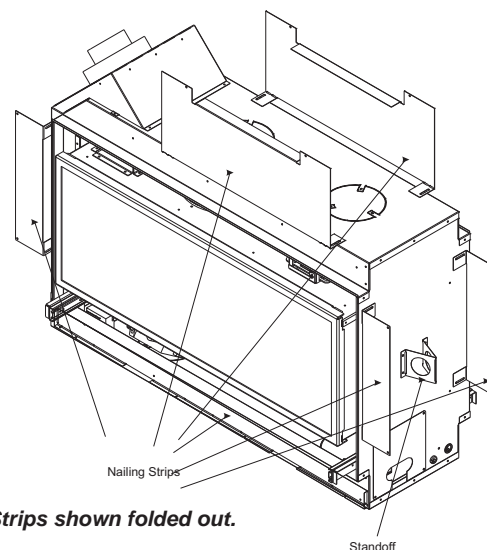
The side, top and rear standoffs are shipped in a flat position and must be folded into shape and attached.

- 1) Remove the standoffs from the fireplace.
- 2) Take each standoff and bend into the correct shape. Bend up at the bend lines until the screw holes in the standoff and the pre-punched screw holes on the fireplace side line up.
- 3) Attach the standoff securely to the side with 2 screws per standoff (on opposite corners).



NAILING STRIPS

The side, top and bottom nailing strips come attached to the unit. There are 3 plates on each side and 2 on the bottom - 8 in total. They can be folded out as required. The bottom nailing strip is secured to the unfinished floor - if installing the unit directly on the floor.



Nailing Strips shown folded out.

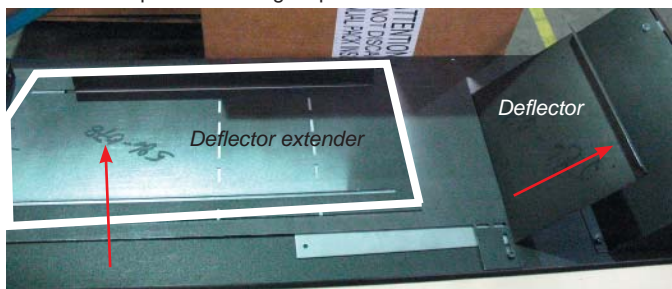
IMPORTANT NOTE

Framing depth measurement is noted with the side & top nailing strips set as far forward on the firebox as possible. The nailing strips can be adjusted back up to 1" to allow for varying thicknesses in non-combustible material & wall finishes.

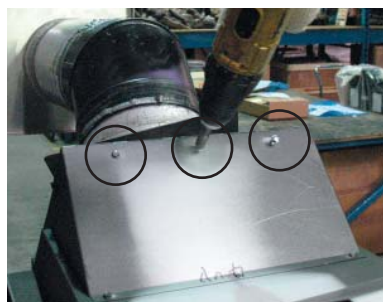
HORIZONTAL VENT DEFLECTOR INSTALLATION

Note: This installation is only required for horizontal terminations. If any rise is used when venting this unit - the deflector and extender are not required.

- 1) The deflector and extender are shipped on top of the firebox. Slide the deflector out from under the nailing strip and lift the extender up off the nailing strip.



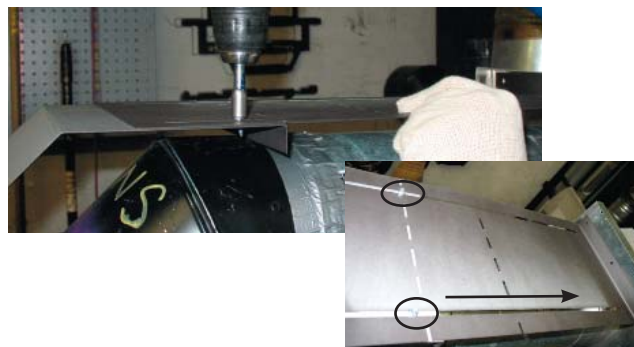
- 2) Remove the 3 screws near the vent outlet on the firebox - as shown below.



- 3) Install the deflector near the vent outlet - secure with the same 3 screws. Ensure flange on deflector is facing downward.



- 4) Install the extender on top of the deflector with 2 screws - slide the extender until it touches the outside wall - tighten screws to secure. Extender can be adjusted to max. 15-1/2".



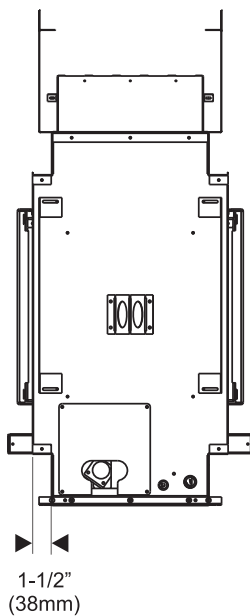
FRAMING & FINISHING

- 1) Frame in the enclosure for the unit with framing material.

IMPORTANT: Vertical studs and the header must be metal.

Note: When constructing the framed opening, please ensure there is access to install the gas lines when the unit is installed.

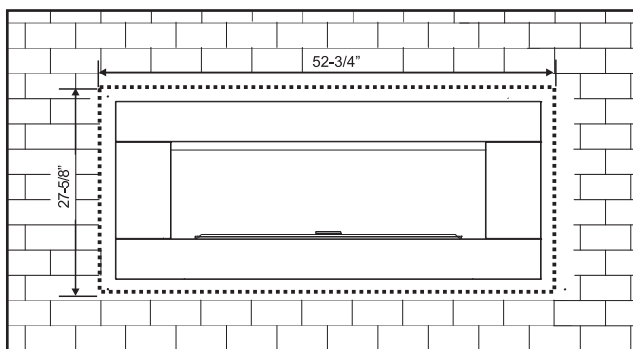
- 2) The unit does not have to be completely enclosed in a chase. You must maintain clearances from the vent to combustible materials: See "Clearances" section. Combustible materials can be laid against the side and back standoffs and the stove base.
- 3) Non-combustible material (ie. tile, slate, etc) may be brought up to and overlap the unit (top and bottom) ensuring that the maximum thickness does not go beyond the 1-1/2" as shown in the diagram below. The faceplate will not be able to be mounted if the finished material is beyond 1-1/2".



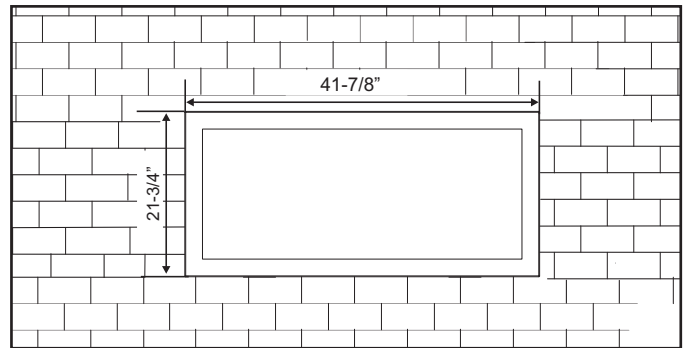
Note:

Depending on the material used for finishing, the nailing strips must be set accordingly so that the finished material is always at the 1-1/2" edge of the flange.

- 4) If material such as brick, stone, etc. extends past the faceplate depth, when finishing around the faceplate, the minimum opening dimensions noted below must be adhered to ensuring for the removal of the faceplate and for the safe operation of this appliance.



- 5) For material such as brick, stone, etc that extends less than 1-1/2", the minimum opening dimensions noted below must be adhered, when finishing around the faceplate. This is to ensure the longevity of the finishing material and for the safe operation of this appliance.



Unit shown without faceplate

Finished Material	Nailing Strip Position	
1/2"	1"	<p>Nailing Strip 1" Forward</p> <p>Unit</p>
1"	1/2"	<p>Nailing Strip 1/2" Forward</p> <p>Unit</p>
1-1/2"	0" (flush)	<p>Nailing Strip Flush w/unit Factory Set</p> <p>Unit</p>

FRAMING DIMENSIONS

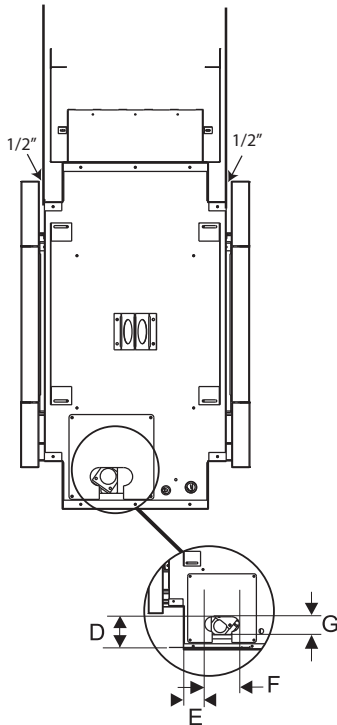
HZ42STEPV Framing Dimensions		
A *	Framing Depth *	15" (381mm) **minus 2X the finished material thickness
B	Framing Height	36-3/4" (933mm)
C	Framing Width	50" (1270mm) Horizontal or Vertical Vent
D	Gas Connection Height	4-1/2" (114mm)
E	Gas Connection Inset	2-7/8" (73mm)
F	Gas Connection Opening Width	4-5/8" (117mm)
G	Gas Connection Opening Height	2" (51mm)
H	Minimum Height to Combustibles	40-1/2" (1029mm)

* Framing depth measurement is noted with nailing strips (top & sides) set as far forward on the firebox as possible. The nailing strips can be adjusted back up to 1" (on both sides) to allow for varying thicknesses in non-combustible material and wall finishes.

**Finished material thickness includes: non combustible material, tile slate, etc.
(example framing = 13" - if 1" thick finishing material is used on both sides)

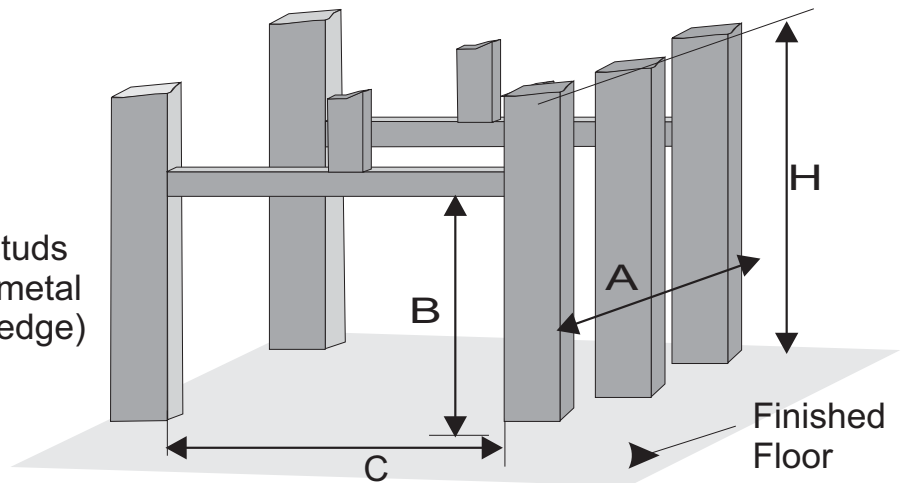
IMPORTANT:

1/2" gap required between faceplate and finished wall. Dangerous operating conditions will occur if this is not adhered to.



Note: Gas hookup is on vent side of unit.

All studs are metal (on edge)

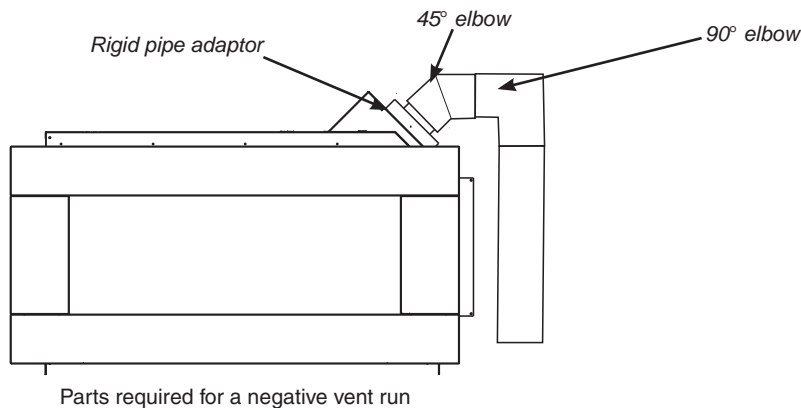
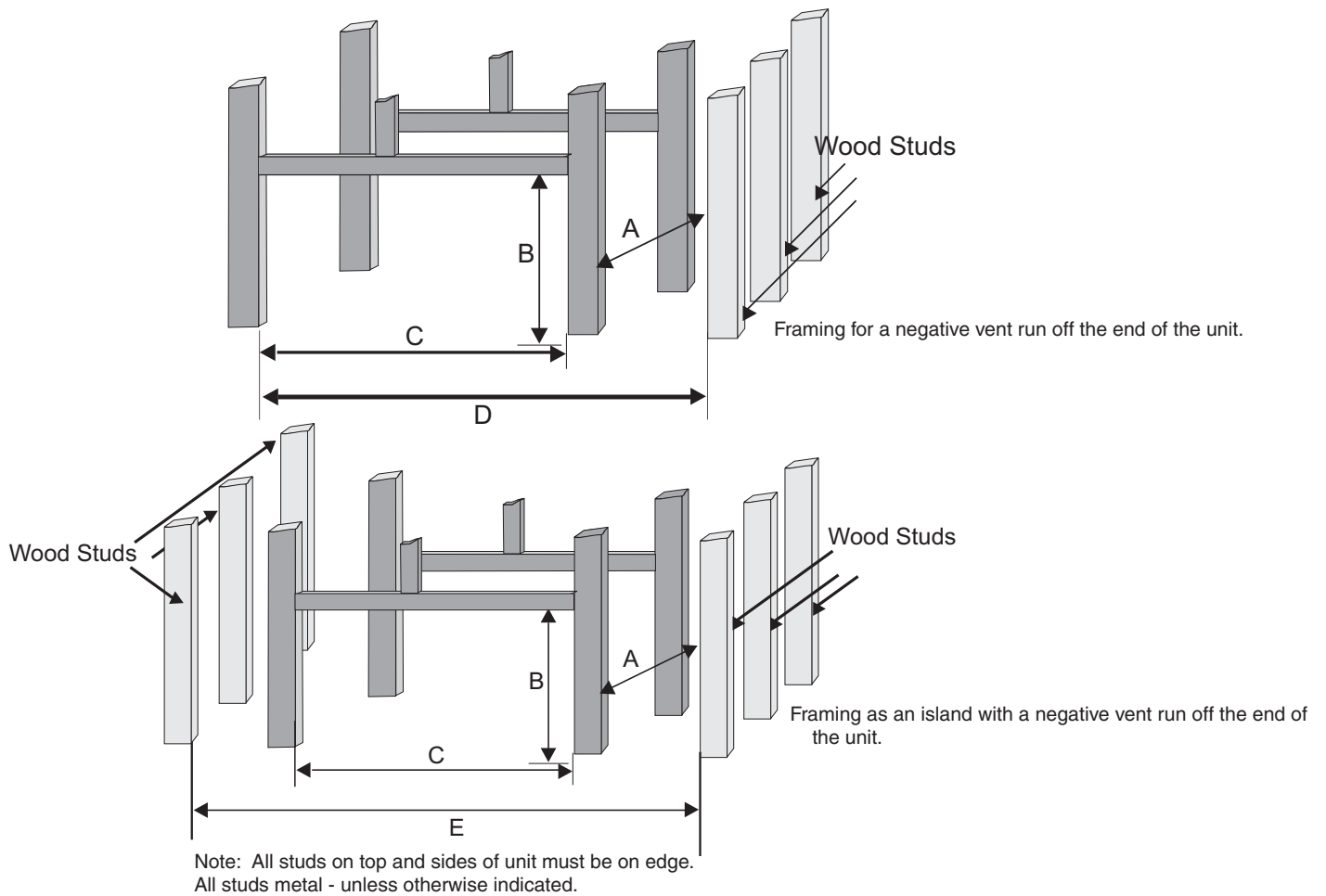


Note: All studs on top and sides of unit must be on edge.

FRAMING DIMENSIONS WITH NEGATIVE VENT RUN INSTALLATIONS

HZ42STEPV Framing Dimensions with Negative Run		
A *	Framing Depth *	15" (381mm) **minus 2x the finished material thickness
B	Framing Height	36-3/4" (933mm)
C	Framing Width	50" (1270mm) Horizontal or Vertical Vent
D	Framing Width - negative vent off end of unit	63" (1600mm)
E	Framing Width - installed as an island with a negative run off end of unit	75" (1905mm)

** All other dimensions from the previous page remain the same for these installations.



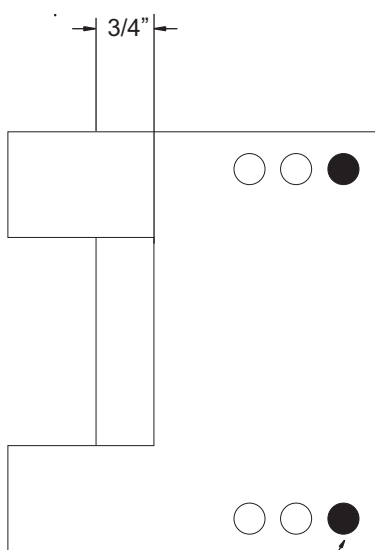
VENT RESTRICTOR POSITION

Vent restriction is required for certain venting installations, see the diagrams in the "Venting Arrangements" section to determine if they are required for your installation.

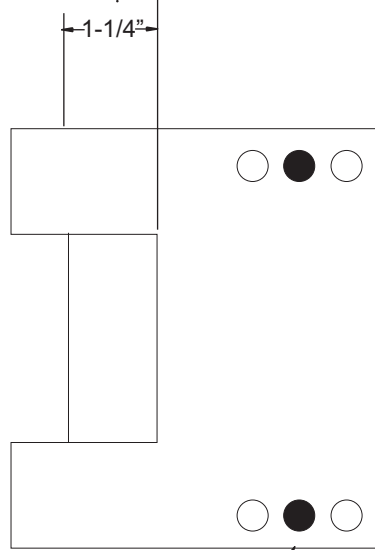
The **Vent Restrictor** plate is located on the **inside top of the firebox**.

To set the vent restriction as indicated in the venting arrangements diagrams, refer to the following instructions;

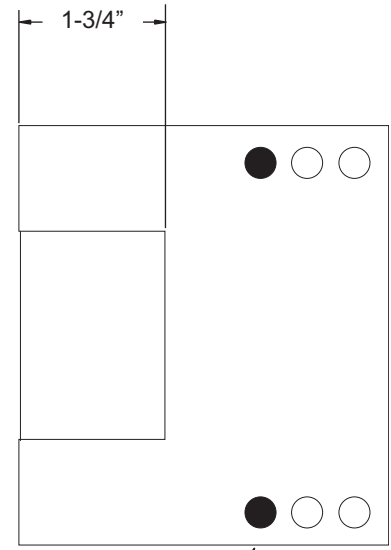
- 1) Remove the glass door.
- 2) Remove the screws that hold the vent restrictor plate in place.
- 3) Adjust the vent restrictor plate to the required vent restrictor position as per the diagrams shown.
- 4) Once the vent restrictor plate is in the required position, secure with screws.



SET 1
THIS HOLE SETS THE
VENT RESTRICTOR



SET 2
THIS HOLE SETS THE
VENT RESTRICTOR



SET 3
THIS HOLE SETS THE
VENT RESTRICTOR

GAS POWER VENT INSTALLATION RIGID PIPE ONLY

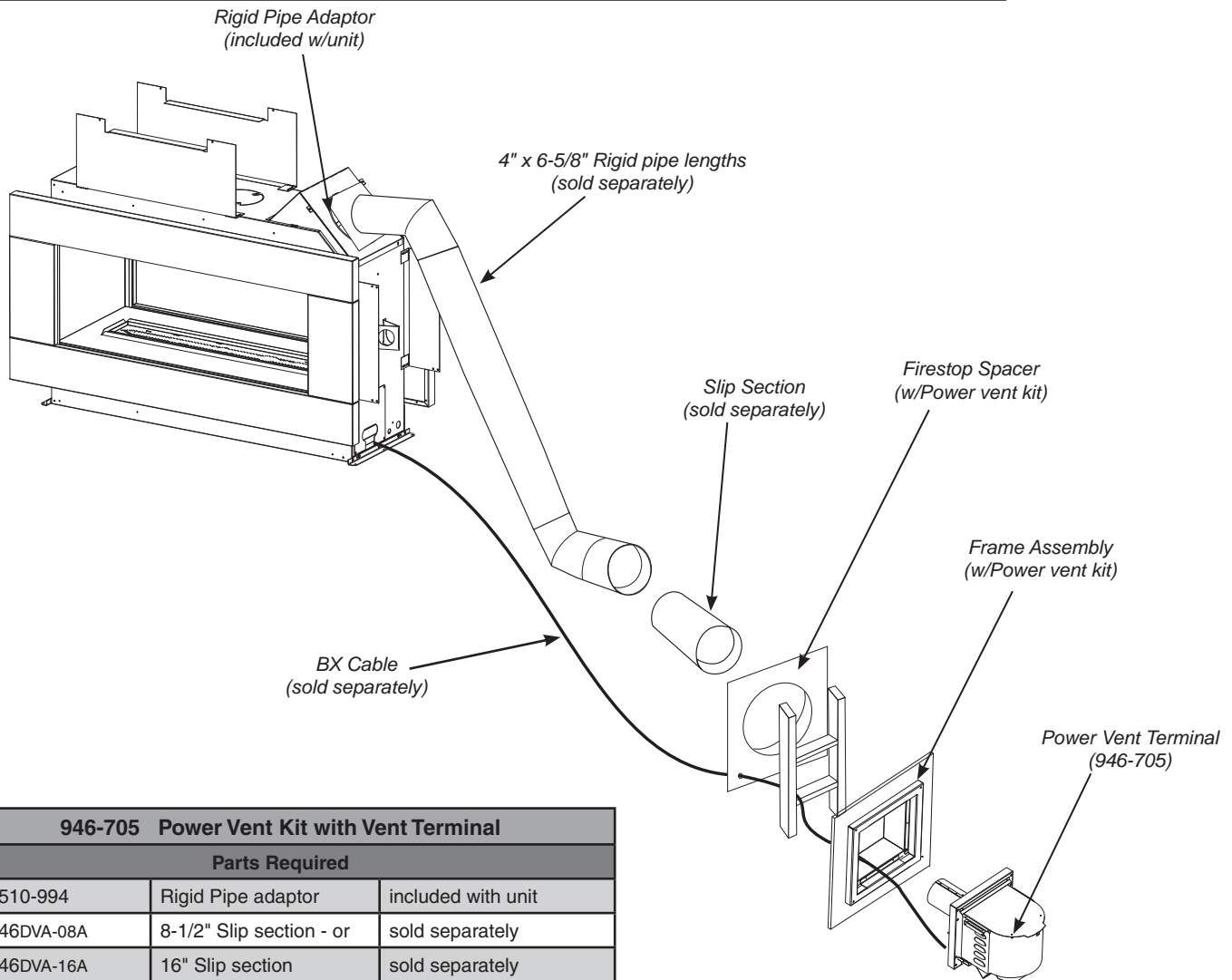
The Power Vent System is a Direct Vent Terminal designed to allow installation of gas appliances where typical vent configurations cannot be achieved.

These installation instructions must be used in conjunction with the appliance and appropriate Power Vent components installation instructions. 120 Volt power supply is required to operate this system (see Electrical Installation section in this manual).

Clearances listed in these Instructions supersede those in the appliance's Installation Instructions.

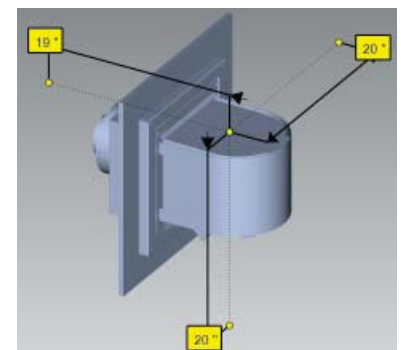
Models Equipped with Surefire Ignition

The power vent system can only be used with units that have been tested with the Regency Power Vent system. Downward vertical vent runs are permitted with the Surefire Ignition system. See vent configuration in this manual.

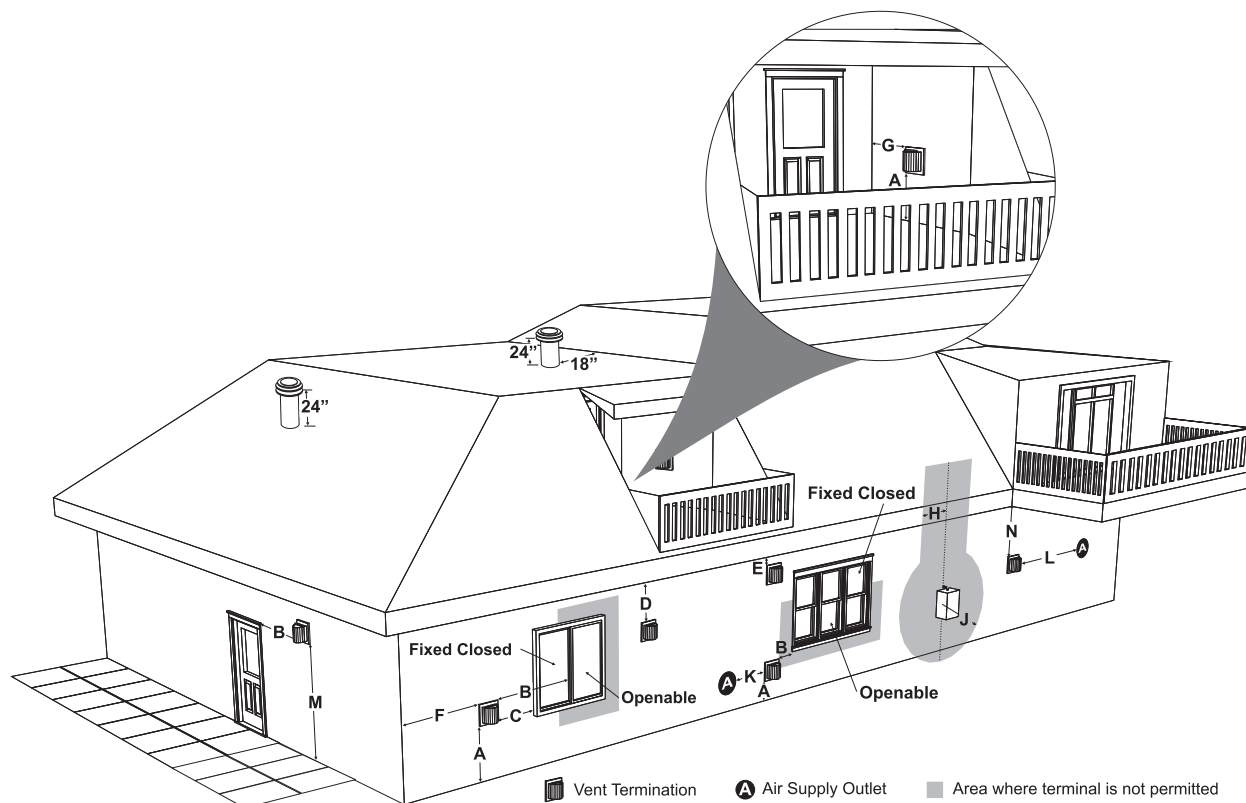


946-705 Power Vent Kit with Vent Terminal			
Parts Required			
1	510-994	Rigid Pipe adaptor	included with unit
1	46DVA-08A	8-1/2" Slip section - or	sold separately
1	46DVA-16A	16" Slip section	sold separately
1	911-046	Power Vent Fan	included w/power vent kit
1		Firestop	included w/power vent kit
	946-706	20' 5-wire BX cable - or	sold separately
	946-707	60' 5-wire BX cable	sold separately
	amount required for install	4"x 6-5/8" Rigid Pipe	sold separately
1	946-705	Power Vent Kit	sold separately

POWER VENT SYSTEMS ARE FOR USE WITH RIGID PIPE ONLY.
See venting in this manual for detailed instructions.



EXTERIOR VENT TERMINATION REQUIREMENTS



	Minimum Clearance Requirements	Canada ¹	USA ²
A	Clearance above grade, veranda, porch, deck, or balcony	12"(30cm)	12"(30cm)
B	Clearance to window or door that may be opened	12"(30cm)	9" (23cm)
C	Clearance to permanently closed window	*	*
D	Vertical clearance to ventilated soffit located above the terminal within a horizontal distance of 2 feet (61cm) from the center line of the terminal (check with the local code)	12"(30cm)	12"(30cm)
E	Clearance to unventilated soffit	8"(20cm)	8"(20cm)
F	Clearance to outside corner: with Regency Power Vent Cap Termination Cap.	6"(15cm)	6"(15cm)
G	Clearance to inside corner: with Regency Power Vent Cap Termination Cap	6"(15cm)	6"(15cm)
H	Clearance to each side of center line extended above meter/regulator assembly	36"(90cm) ^a	*
J	Clearance to service regulator vent outlet	36"(90cm)	*
K	Clearance to non-mechanical air supply inlet to building or the combustion air inlet to any other appliance	12"(30cm)	9" (23cm)
L	Clearance to a mechanical air supply inlet #3' (91cm) above if within 10' (3m) horizontally.	72"(1.8m)	36"(90cm) ^b
M	Clearance above paved sidewalk or a paved driveway located on public property	84"(2.1m) [†]	*
N	Clearance under veranda, porch, deck, or balcony	12"(30cm) [‡]	*

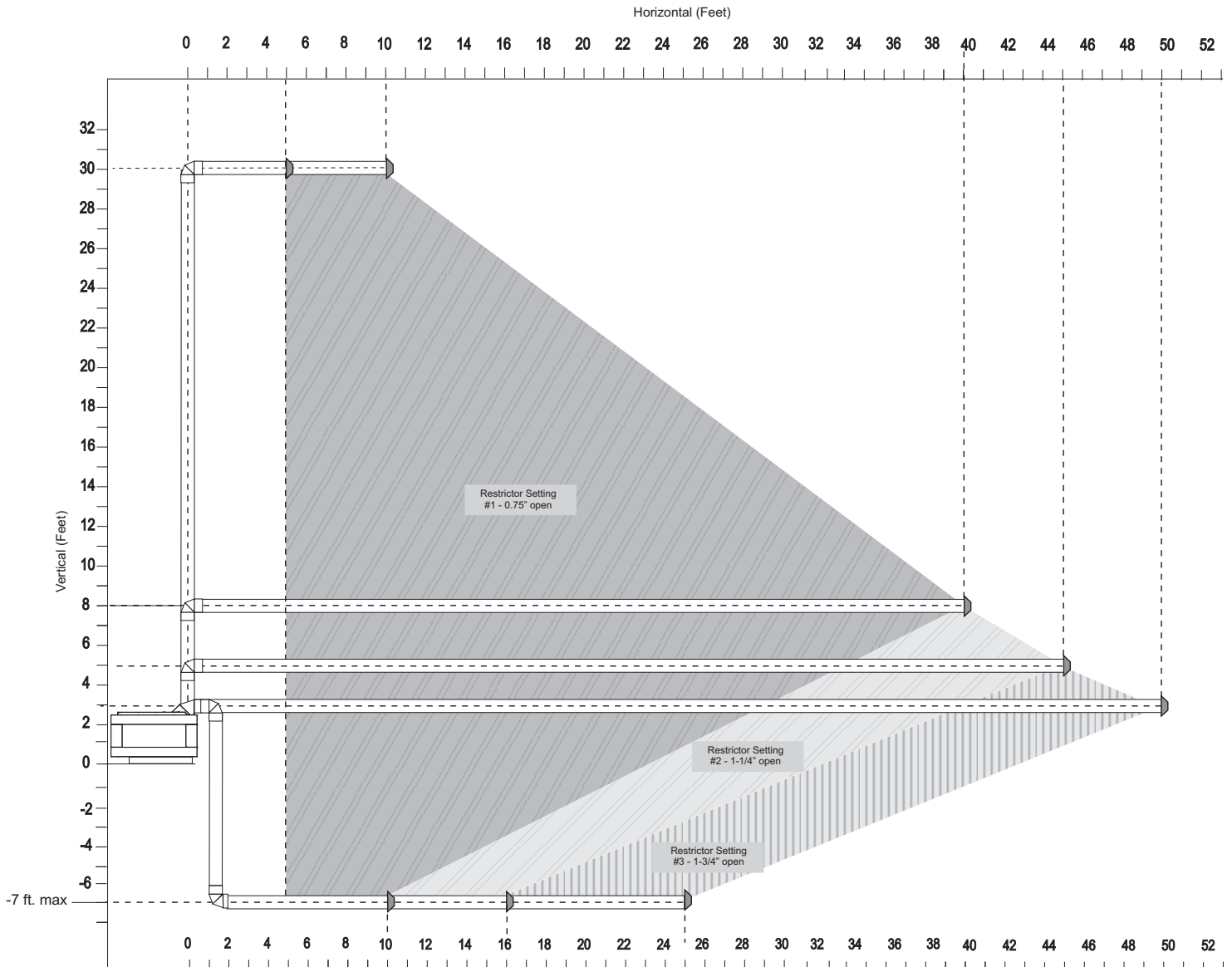
¹ In accordance with current CSA B149.1, *Natural Gas and Propane Installation Code*
² In accordance with the current ANSI Z223.1/NFPA 54, *National Fuel Gas Code*
[†] A vent shall not terminate directly above a sidewalk or paved driveway which is located between two single family dwellings and serves both dwellings
[‡] Permitted only if veranda, porch, deck, or balcony is fully open on a minimum of two sides beneath the floor
* Clearance in accordance with local installation codes and the requirements of the gas supplier
^a 3 feet (91cm) within a height of 15 feet (4.5m) above the meter / regulator assembly
^b 3 feet (91cm) above - if within 10 feet (3m) horizontally

VENTING ARRANGEMENTS FOR HORIZONTAL TERMINATIONS

(RIGID PIPE 4" X 6-5/8" - MUST USE RIGID PIPE ADAPTOR #510-994)

The gas power vent systems is designed to allow the installation of a gas appliance when typical vent configurations (shown in this manual) are not possible.

Note: Must be terminated horizontally. Vertical terminations are not permitted.



Maximum total vent length = 50' + six - 90° elbows.

One 90° elbow = two 45° elbows.

Maximum total negative vent length = 10' (from centerline of pipe).

Restrictor setting 1 - Max. up to six- 90° elbows.

Restrictor setting 2 - Max. up to five- 90° elbows.

Restrictor setting 3 - Max. up to four- 90° elbows.

Note: Must be terminated horizontally. Vertical terminations are not permitted.

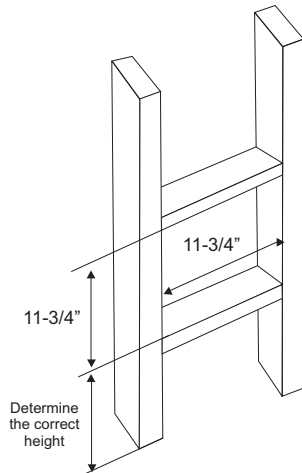
INSTALLATION

POWER VENT TERMINAL INSTALLATION

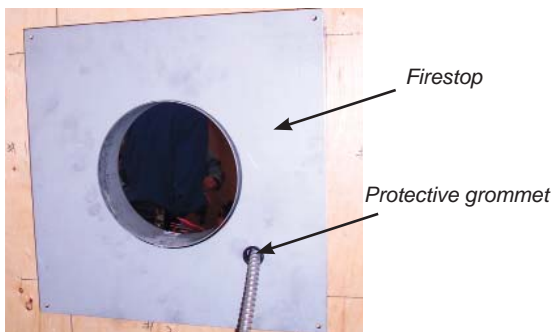
WARNING
ELECTRICAL CONNECTIONS SHOULD ONLY BE CARRIED OUT BY A QUALIFIED AND LICENSED ELECTRICIAN

Note: Optional 5 wire BX cable comes in 20' or 60' lengths as required. Wires are color coded for ease of installation.

- 1) Frame in opening for the Power Vent Terminal by first determining the correct height - frame in an 11-3/4" x 11-3/4" opening.

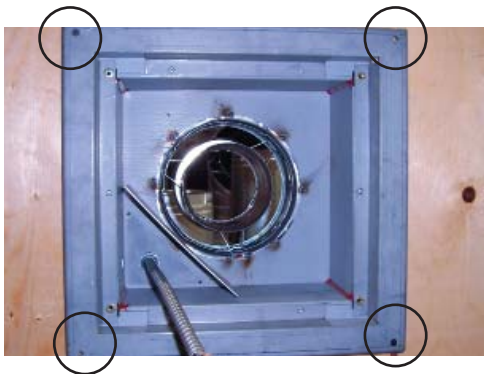


- 2) Feed the BX cable through the firestop - ensure protective grommet is in place before feeding the cable through.

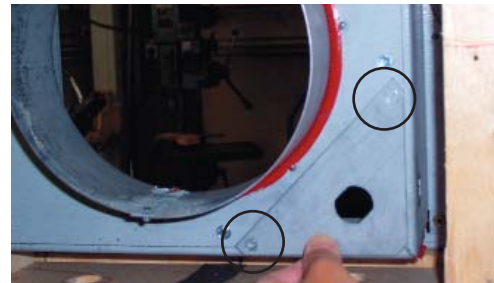


- 3) Install the Power Vent outer frame with 4 screws - screw locations shown below.

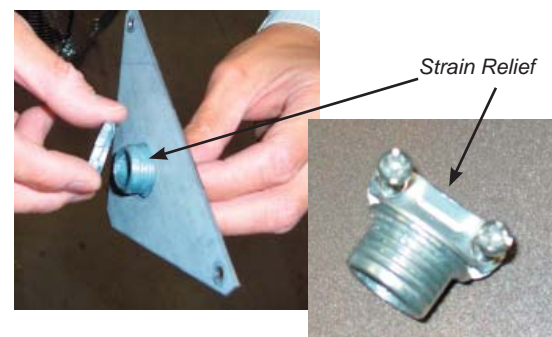
Important: Orient the frame so the BX cable will pass through in the lower left corner.



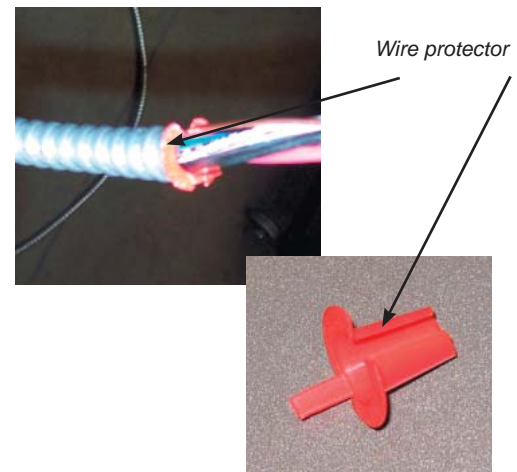
- 4) Remove the plate from the bottom right corner of the frame by removing 2 screws from the inside of the frame.



- 5) Install a strain relief grommet through the plate as shown below.



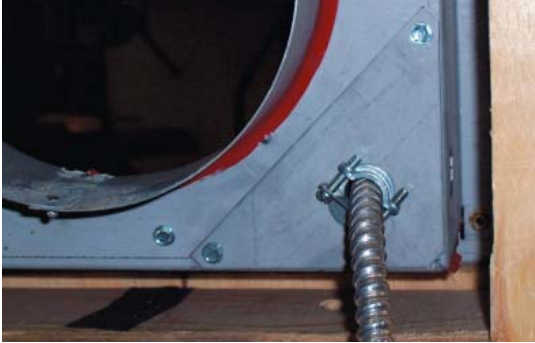
- 6) Unravel the BX cable - to expose approx. 7" of wire. Install a wire protector where the metal of the BX cable and the wire meet.



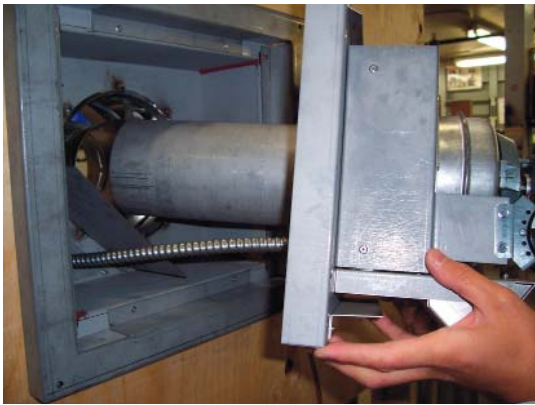
- 7) Feed a length of BX cable through - (approx. 18") the plate and tighten the strain relief grommet to the plate.



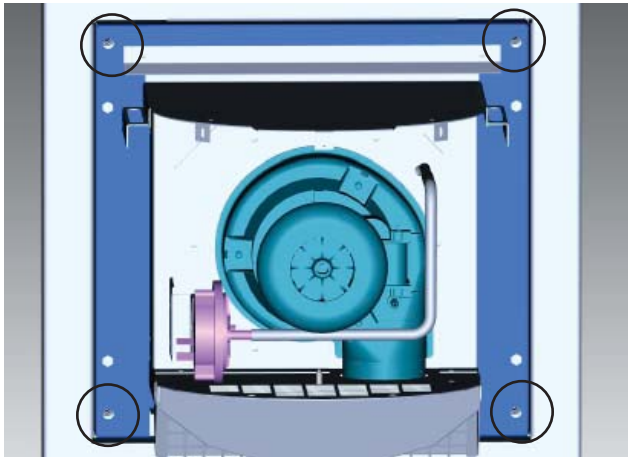
- 8) Reattach the plate to the inside of the Power Vent out frame with 2 screws from step 3.



- 9) Feed the BX cable through the opening in the power vent terminal - located in the lower left corner as shown below.

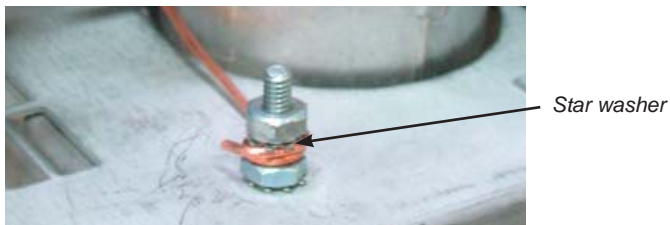


- 10) Secure the terminal to the outer frame with 4 screws - screw locations shown below.



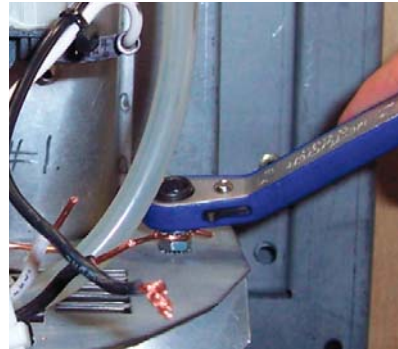
- 11) From the wire bundle (from BX cable) secure the copper ground to the ground lug on the right side.

Important: Ground must be wrapped under star washer - prior to tightening.

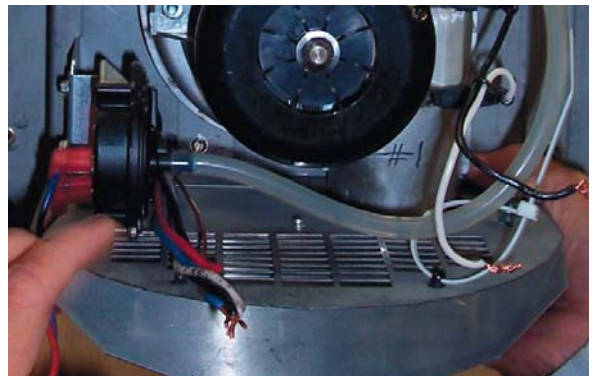


Star washer

- 12) Tighten bolt to secure ground wire.



- 13) Connect all like colored wires - red to red, blue to blue, black to black and white to white. Place marettes on all paired wire ends (supplied with kit)

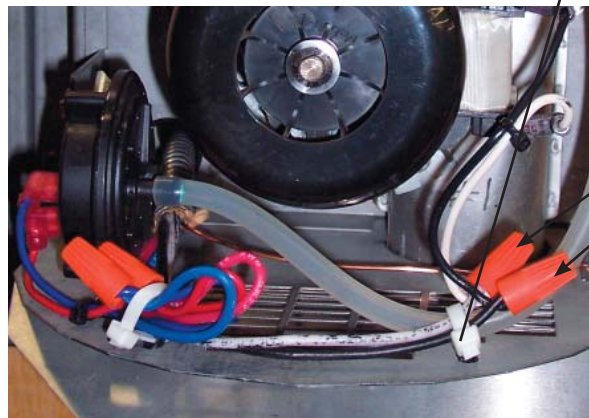


- 14) Place cable tie guides in holes located on the base of the terminal. Feed cable tie through the guide.



Cable tie guide

- 15) Tie down all wires with cable tie - away from the edge of the terminal base and fan blade.



Cable tie

Marettes

INSTALLATION

16) Install cap over terminal with 4 screws.

Note: Cap may be painted to match building color.



17) Secure firestop in place with 4 screws (see step 2).

18) Seal the outer frame with sealant to prevent any water from entering the building envelope.

Caution: Label all wires prior to disconnection when servicing controls. Wiring errors can cause improper and dangerous operation.

PIPE CONNECTION FROM TERMINAL TO UNIT

1) Install 8" slip section of pipe over final length of rigid pipe.



3) Connect 8" Slip to Power vent terminal - adjust slip section for fit. Secure slip section with screws when optimal fit is achieved.



ELECTRICAL INSTALLATION

WARNING
THIS INSTALLATION SHOULD ONLY BE CARRIED OUT BY A QUALIFIED AND LICENSED ELECTRICIAN

Important: 120 Volt AC power is required for the power vent installation.
 The receptacle box will be installed on the lower left corner of the unit and will need to be wired by a qualified electrician prior to the power vent installation. The neutral (wider) slot of the polarized receptacle should be at the top. See wiring diagram in the instruction manual

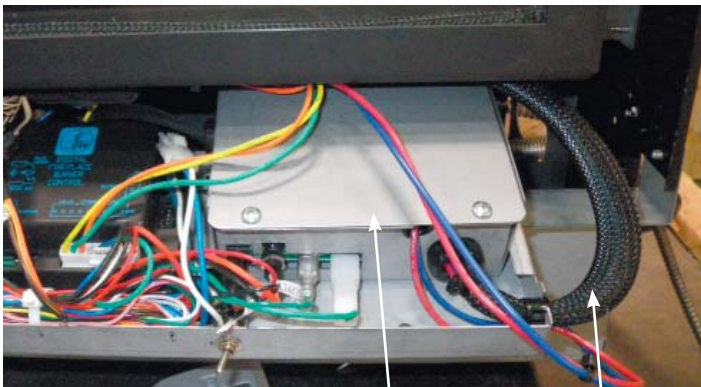
Caution: Label all wires prior to disconnection when servicing controls.
 Wiring errors can cause improper and dangerous operation.

Note: For ease of installation, the electrical installation must be completed prior to adding any finishing materials.

- 1) Remove faceplate, inner door frame and glass door - refer to instructions in this manual.
- 2) Remove control board located on the lower right side of the unit, by sliding board out as shown below.



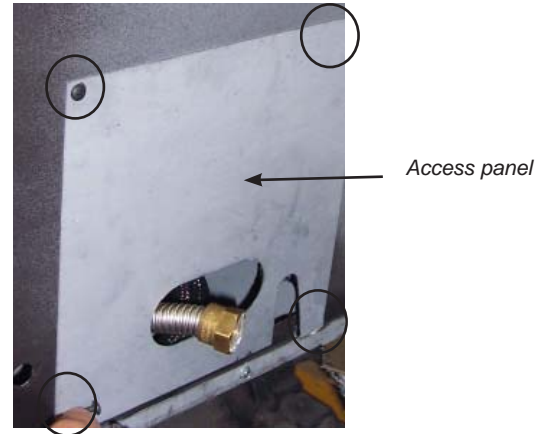
- 3) Locate wiring harness from Power Vent Module - shown below.



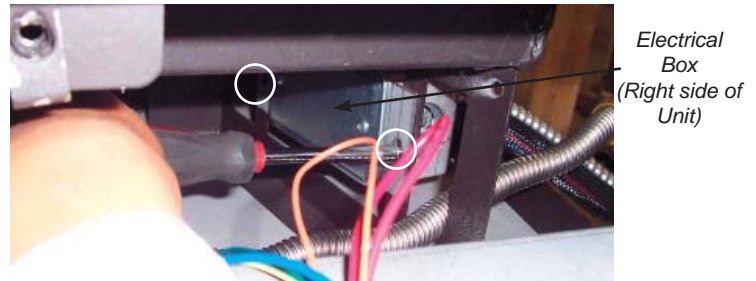
Power Vent Module

Wiring harness from Power Vent Module

- 4) Remove access panel - located on the outer right side of the unit, by removing 4 screws in locations shown below.



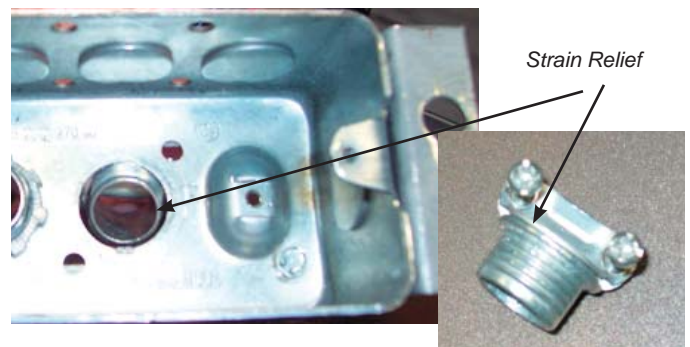
- 5) Loosen 2 screws - one on either side of the electrical box. Slide box up and push box back to release.



- 6) Manoeuvre and angle electrical box to remove from the base of the unit.

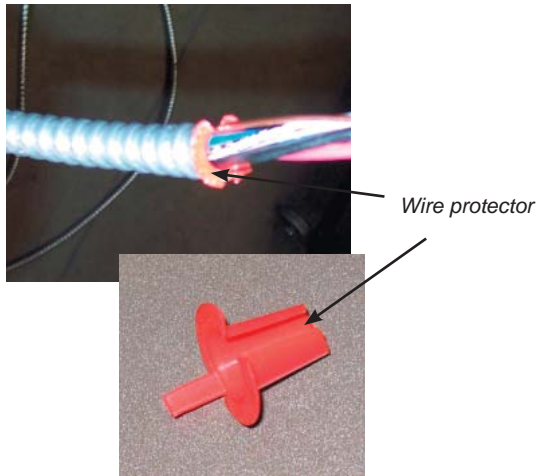


- 7) Install strain relief grommets into opening as shown below.



INSTALLATION

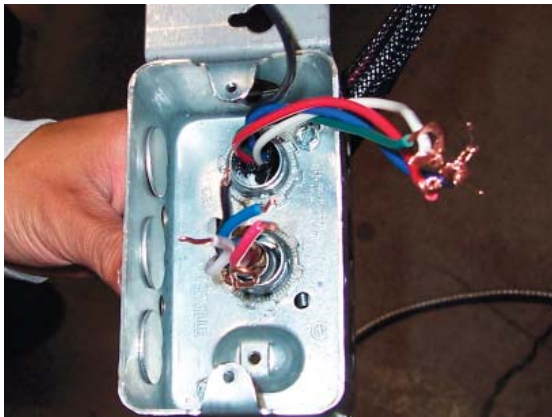
- 8) Unravel BX cable to reveal wires - install wire protector where the metal of the BX cable meets the wire.



- 11) Secure the ground wires from each wire bundle (BX cable + power vent) to the box in the location shown below.



- 9) Feed wires from the BX cable through into the box.



- 12) Connect all like colored wires - blue to blue, red to red, white to white and black to black. Finish wire ends with marettes as shown below.



- 13) Install the cover on the electrical junction box-secure with 2 screws.



- 10) Tighten up the strain relief grommets on the outside of the box as shown below.



- 14) Reverse steps 6-1 to complete installation.

- 15) Plug in Power Vent Module to outlet located on the lower left base of the unit.

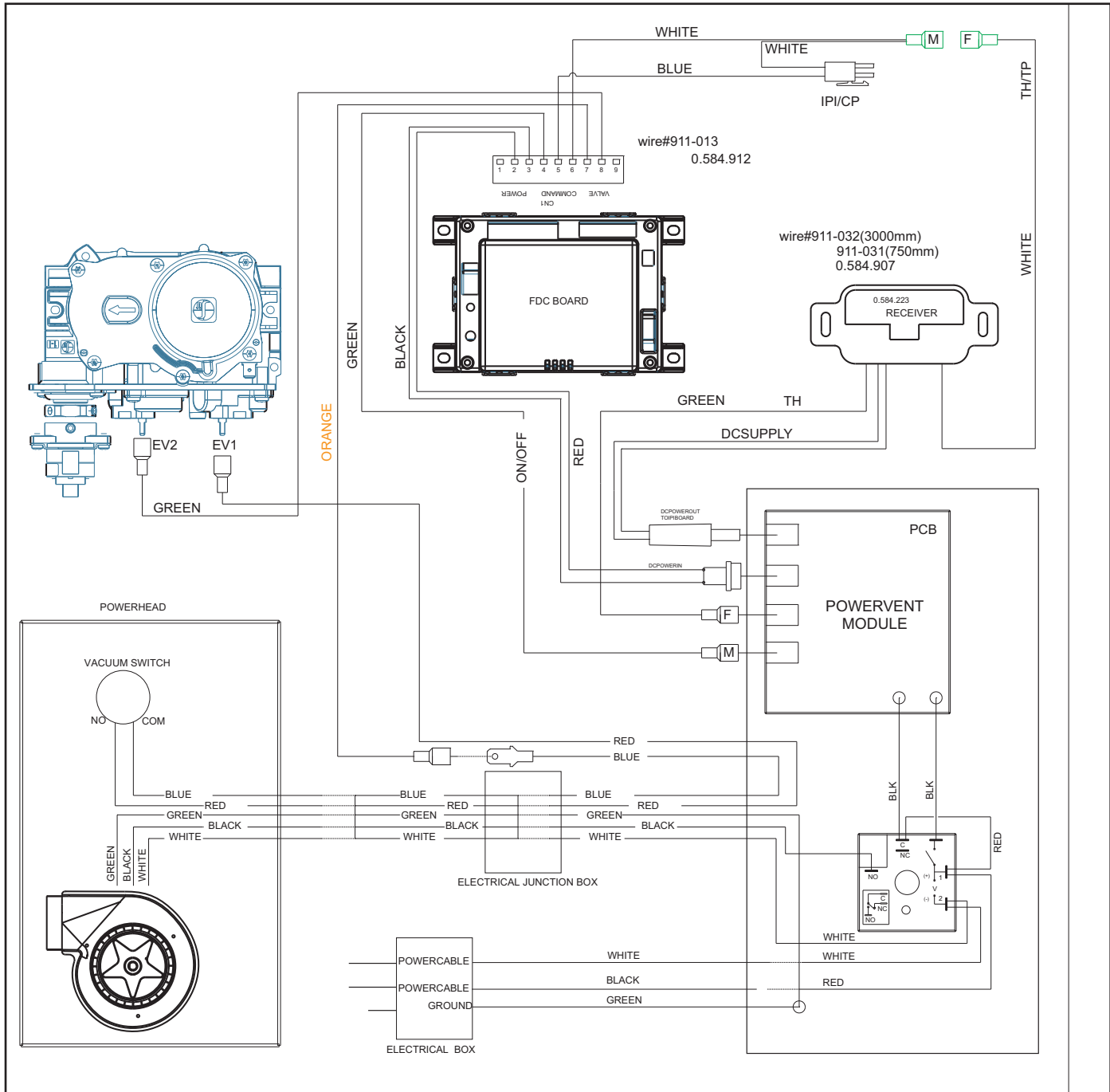


POWER VENT WIRING DIAGRAM

WARNING

Electrical Grounding Instructions

This appliance is equipped with a three-prong (grounding) plug for your protection against shock hazard and should be plugged directly into a properly grounded three-prong receptacle. Do not cut or remove the grounding prong from this plug.



Caution: Label all wires prior to disconnection when servicing controls. Wiring errors can cause improper and dangerous operation.

INSTALLATION

4" X 6-5/8" RIGID PIPE CROSS REFERENCE CHART

Components from different Manufacturers may not be mixed. Not All Rigid Pipe components are available directly from FPI.

Description	Simpson Direct Vent Pro®	Selkirk Direct Temp™	American Metal Products® Amerivent Direct	Metal-Fab™ Sure Seal	Security Secure- Vent®	ICC Excel Direct
6" Pipe Length-Galvanized	46DVA-06	4DT-6	N/A	4D6	SV4L6	TC-4DL6
6" Pipe Length-Black	46DVA-06B	4DT-6B	N/A	4D6B	SV4LB6	TC-4DL6B
7" Pipe Length-Galvanized	N/A	N/A	4D7	N/A	N/A	N/A
7" Pipe Length-Black	N/A	N/A	4D7B	N/A	N/A	N/A
9" Pipe Length-Galvanized	46DVA-09	4DT-9	N/A	N/A	N/A	N/A
9" Pipe Length-Black	46DVA-09B	4DT-9B	N/A	N/A	N/A	N/A
12" Pipe Length-Galvanized	46DVA-12	4DT-12	4D12	4D12	SV4L12	TC-4DL1
12" Pipe Length-Black	46DVA-12B	4DT-12B	4D12B	4D12B	SV4LB12	TC-4DL1B
18" Pipe Length-Galvanized	46DVA-18	4DT-18	4D18	4D18	SV4LA	TC-4DL18
18" Pipe Length-Black	46DVA-18B	4DT-18B	4D18B	4D18B	SV4LA	TC-4DL18B
24" Pipe Length-Galvanized	46DVA-24	4DT-24	4D24	4D24	SV4L24	TC-4DL2
24" Pipe Length-Black	46DVA-24B	4DT-24B	4D24B	4D24B	SV4LB24	TC-4DL2B
36" Pipe Length-Galvanized	46DVA-36	4DT-36	4D36	4D36	SV4L36	TC-4DL3
36" Pipe Length-Black	46DVA-36B	4DT-36B	4D36B	4D36B	SV4LB36	TC-4DL3B
48" Pipe Length-Galvanized	46DVA-48	4DT-48	4D48	4D48	SV4L48	TC-4DL4
48" Pipe Length-Black	46DVA-48B	4DT-48B	4D48B	4D48B	SV4LB48	TC-4DL4B
60" Pipe Length-Galvanized	46DVA-60	4DT-60	N/A	N/A	N/A	N/A
60" Pipe Length-Black	46DVA-60B	4DT-60B	N/A	N/A	N/A	N/A

Adjustable Length 3"-10"-Galvanized	N/A	N/A	N/A	4DAL	N/A	TC-4DLT
Adjustable Length 3"-10"-Black	N/A	N/A	N/A	4DALB	N/A	TC-4DLTB
Adjustable Length 7"-Galvanized	N/A	N/A	4D7A	N/A	N/A	N/A
Adjustable Length 7"-Black	N/A	N/A	4D7AB	N/A	N/A	N/A
Extension Pipe 8-1/2"-Galvanized	46DVA-08A	N/A	N/A	N/A	N/A	N/A
Extension Pipe 8-1/2"-Black	46DVA-08AB	N/A	N/A	N/A	N/A	N/A
Adjustable Length 12"-Galvanized	N/A	N/A	4D12A	N/A	SV4LA12	N/A
Adjustable Length 12"-Black	N/A	N/A	4D12A	N/A	SV4LBA12	N/A
Extension Pipe 16"-Galvanized	46DVA-16A	N/A	N/A	N/A	N/A	N/A
Extension Pipe 16"-Black	46DVA-16AB	N/A	N/A	N/A	N/A	N/A

45° Elbow-Galvanized	46DVA-E45	4DT-EL45	4D45L	N/A	N/A	TE-4DE45
45° Elbow-Black	46DVA-E45B	4DT-EL45B	4DT-EL45B	N/A	N/A	TE-4DE45B
45° Elbow Swivel-Galvanized	See 46DVA-E45	N/A	N/A	4D45L	SV4E45	N/A
45° Elbow Swivel-Black	See 46DVA-E45B	N/A	N/A	4D45LB	SV4EB45	N/A
90° Elbow-Galvanized	46DVA-E90	4DT-EL90S	4DT-EL90S	N/A	N/A	TE-4DE90
90° Elbow-Black	46DVA-E90B	4DT-EL90SB	4DT-EL90SB	N/A	SV4EBR90-1	TE-4DE90B
90° Elbow, Swivel-Galvanized	See 46DVA-E90	N/A	N/A	4D90L	SV4E90-1	N/A
90° Elbow, Swivel-Black	See 46DVA-E90B	N/A	N/A	4D90LB	SV4EB90-1	N/A
90° Starter Elbow, Swivel-Galvanized	N/A	N/A	N/A	4D90A	N/A	N/A
Adaptor*	N/A	N/A	N/A	4D90L	N/A	N/A

Ceiling Support	N/A	4DT-CS	4DFSP	4DSP	SV4SD	TE-4DE45
Cathedral Support Box	46DVA-CS	4DT-CSS	4DRSB	4DRS	SV4CSB	TE-4DE45B
Wall Support/Band	46DVA-WS	4DT-WS/B	4DWS	4DWS	SV4BM	N/A
Offset Support	46DVA-ES (N/A - FPI)	4DT-OS	N/A	N/A	SV4SU	N/A
Wall Thimble-Black	46DVA-WT	4DT-WT	4DWT	4DWT	SV4RSM	TE-4DE90
Wall Thimble Support/Ceiling Support	46DVA-DC	N/A	N/A	N/A	SV4PF	TE-4DE90B
Firestop Spacer	46DVA-FS	4DT-FS	4DFSP	4DFS	SV4BF	N/A
Trim Plate-Black	N/A	4DT-TP	4DFPB	4DCP	SV4LA	N/A

Description	Simpson Direct Vent Pro®	Selkirk Direct Temp™	American Metal Products® Amerivent Direct	Metal-Fab™ Sure Seal	Security Secure-Vent®	ICC Excel Direct
Attic Insulation Shield 12"	46DVA-IS N/A@ FPI	N/A	4DAIS12	N/A	SV4RSA	N/A
Attic Insulation Shield - Cold Climates 36"	N/A	N/A	4DAIS12	N/A	N/A	TM-4AS

Basic Horizontal Termination Kit (A)	Disc.	4DT-HKA	4DHTK2	4DHTKA	SV-SHK	N/A
Horizontal Termination Kit (B)	46DVA-KHA (Changed Components)	4DT-HKB	4DHTK1	4DHTKB	SV-HK	N/A
Vertical Termination Kit	Disc.	4DT-VKC	4DHTK	4DHTK	SV-FK	N/A

High Wind Vertical Cap	46DVA-VCH	N/A	N/A	N/A	N/A	TM-4VT
High Wind Horizontal Cap	46DVA-HC	N/A	N/A	N/A	N/A	TM-4DHT
Horizontal Square Termination Cap	See 46DVA-HC	4DT-HHC	4DHC	4DHT	SV4CHC-1	TM-4HT
Vertical Termination Cap	46DVA-VC	4DT-HVC	4DVC	4DVT	SV4CGV-1	TM-4VT
Storm Collar	46DVA-08A	4DT-SC	4DSC	4DSC	SV4FC	TM-SC

Adjustable Flashing 0/12-6/12	46DVA-F6	4DT-ST14	4D12S	4DST14	SV4STC14	TF-4FA
Adjustable Flashing 6/12-12/12	46DVA-FLA	4DT-ST36	4D36S	4DST36	SV4STC36	TF-4FB

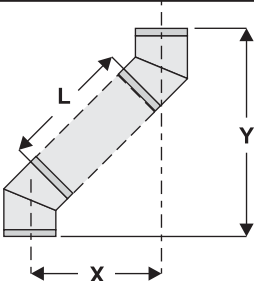
Vinyl Siding Standoff	46DVA-VSS	4DT-VS	N/A	4DVS	SV4VS	TM-VSS
Vinyl Siding Shield Plate	N/A	4DT-VSP	N/A	N/A	SV4VS	N/A

Snorkel Termination 14"	46DVA-SNKL	N/A	N/A	N/A	N/A	TM-4ST14
Snorkel Termination 36"	N/A	N/A	N/A	N/A	N/A	TM-4ST36

Restrictor Disk	N/A	N/A	N/A	N/A	N/A	TM-4DS
Extended Vertical Termination Cap	N/A	N/A	N/A	N/A	N/A	N/A
Chimney Conversion Kit A (USA only)	46DVA-KCA	N/A	N/A	N/A	N/A	TM-4CA6
Chimney Conversion Kit B (USA only)	46DVA-KCB	N/A	N/A	N/A	N/A	TM-4CA7
Chimney Conversion Kit C (USA only)	46DVA-KCC	N/A	N/A	N/A	N/A	TM-4CA8
Chimney Conversion Kit Masonry (USA only)	46DVA-KMC	N/A	N/A	N/A	N/A	N/A
Wall Firestop	46DVA-WFS	N/A	N/A	N/A </td <td>N/A</td> <td>TM-4TR</td>	N/A	TM-4TR
Colinear Flex Connectors	46DVA-ADF	N/A	N/A	N/A	N/A	N/A

FPI			
946-506/P	Vent Guard (Optional) for AstroCap	946-205	Vinyl Siding Shield for Riser Vent Terminal
510-994	Rigid Pipe Adaptor (Must use with all rigid piping)	946-208/P	Vent Guard (Optional) for Riser Vent Terminal
640-530/P	Riser Vent Terminal	946-523/P	AstroCap Horizontal Cap
946-605	Starter Collar Increaser 4" x 6-5/8" to 5" x 8"	946-206	Vinyl Siding Standoff for AstroCap

Note: When using Metal-Fab Sure Seal Rigid Piping - please note that the Adaptor (4DDA) must be used in conjunction with FPI Rigid Pipe Adaptor (510-994).

Offset Pipe Selection: Use this table to determine offset pipe lengths.				For specific instructions on venting components - visit the manufacturers website listed below.
Pipe Length (L)	4" x 6-5/8" Venting			
	Run (X)	Rise (Y)		
0" (0mm)	4-7/8" (124mm)	13-7/8" (340mm)		
6" (152mm)	8" (203mm)	16-1/2" (419mm)		
9" (229mm)	10-1/8" (257mm)	18-5/8" (473mm)		
12" (305mm)	12-1/4" (311mm)	20-3/4" (527mm)		
24" (610mm)	20-5/8" (524mm)	29-1/8" (740mm)		
36" (914mm)	29" (737mm)	37-1/2" (953mm)		
48" (1219mm)	37-7/16" (951mm)	45-15/16" (1167mm)		

Note: Horizontal runs of vent must be level, or have a 1/4" rise for every 1 foot of run towards the termination. Never allow the vent to run downward - this could cause high temperatures and may present a possible fire hazard.



INSTALLATION

HZ42STEPV-NG SYSTEM DATA	
Min. Supply Pressure	5" WC (1.25 kpa)
Low Setting Man. Pressure	1.6" WC (0.40kpa)
Max. Manifold Pressure	3.5" WC (0.87 kpa)
Orifice Size	#40 DMS
Minimum Input	17,500 Btu/h (5.13 kW)
Maximum Input	26,000 Btu/h (7.62 kW)

HZ42STEPV-LP SYSTEM DATA	
Min. Supply Pressure	12" WC (2.98 kpa)
Low Setting Man. Pressure	6.4" WC (1.59kpa)
Max. Manifold Pressure	10" WC (2.49 kpa)
Orifice Size	#53 DMS
Minimum Input	19,500 Btu/h (5.71 kW)
Maximum Input	24,500 Btu/h (7.18 kW)

HIGH ELEVATION

This unit is approved for altitude 0 to 4500 ft. (CAN1 2.17-M91).

GAS LINE INSTALLATION

Since some municipalities have additional local codes it is always best to consult with your local authorities and the CAN/CGA B149 installation code.

For USA installations follow local codes and/or the current National Fuel Gas Code, ANSI Z223.1.

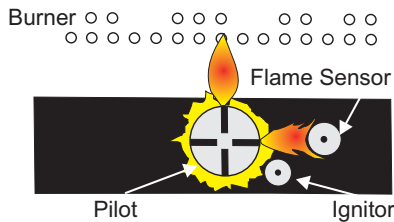
When using copper or flex connectors use only approved fittings. Always provide a union so that gas lines can be easily disconnected for servicing. Flare nuts for copper lines and flex connectors are usually considered to meet this requirement.

NOTE: A shutoff / dante valve should be supplied in or near the unit (or as per local codes) for ease of servicing this appliance.

IMPORTANT: Always check for gas leaks with a soap and water solution or gas leak detector. Do not use open flame for leak testing.

PILOT ADJUSTMENT

Periodically check the pilot flames. Correct



flame pattern has three strong blue flames: 1 flowing around the thermopile, 1 around the thermocouple and 1 flowing across the burner.

Note: If you have an incorrect flame pattern, contact your Regency® dealer for further instructions.

Incorrect flame pattern will have small, probably yellow flames, not coming into proper contact with the burner or thermopile or thermocouple.

GAS PIPE PRESSURE TESTING

The appliance must be isolated from the gas supply piping system by closing its individual manual shut-off valve during any pressure testing of the gas supply piping system at test pressures equal to or less than 1/2 psig. (3.45 kPa). Disconnect piping from valve at pressures over 1/2 psig.

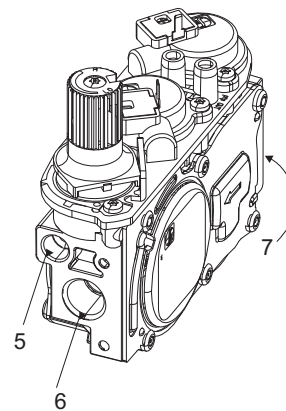
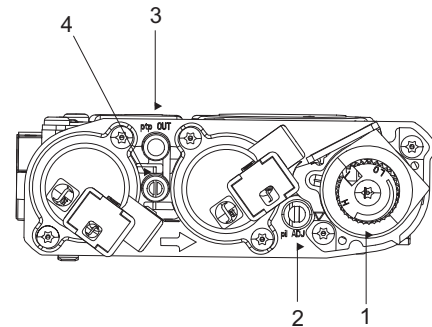
The manifold pressure is controlled by a regulator built into the gas control, and should be checked at the pressure test point.

Note: To properly check gas pressure, both inlet and manifold pressures should be checked using the valve pressure ports on the valve.

- 1) Make sure the valve is in the "OFF" position.
- 2) Loosen the "IN" and/or "OUT" pressure tap(s), turning counterclockwise with a 1/8" wide flat screwdriver.
- 3) Attach manometer to "IN" and/or "OUT" pressure tap(s) using a 5/16" ID hose.
- 4) Light the pilot and turn the valve to "ON" position.
- 5) The pressure check should be carried out with the unit burning and the setting should be within the limits specified on the safety label.
- 6) When finished reading manometer, turn off the gas valve, disconnect the hose and tighten the screw (clockwise) with a 1/8" flat screwdriver.
Note: Screw should be snug, but do not over tighten.

886 S.I.T. VALVE DESCRIPTION

- 1) Manual high/low adjustment
- 2) Pilot adjustment
- 3) Outlet Pressure Tap
- 4) Inlet Pressure Tap
- 5) Pilot Outlet
- 6) Main Gas Outlet
- 7) Main Gas Inlet



AERATION ADJUSTMENT

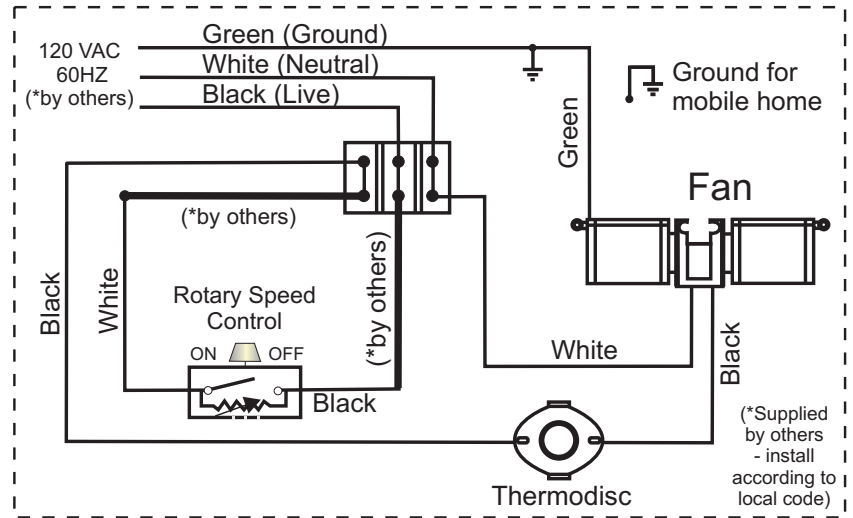
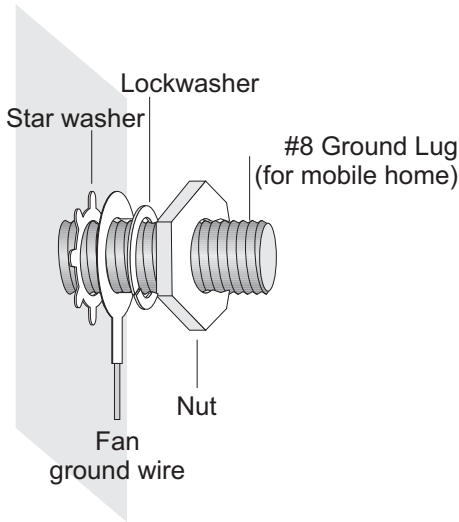
The burner aeration is factory set but may need adjusting due to either the local gas supply or altitude. Open the air shutter for a blue flame or close for a more yellow flame.

Minimum Air Shutter Opening:

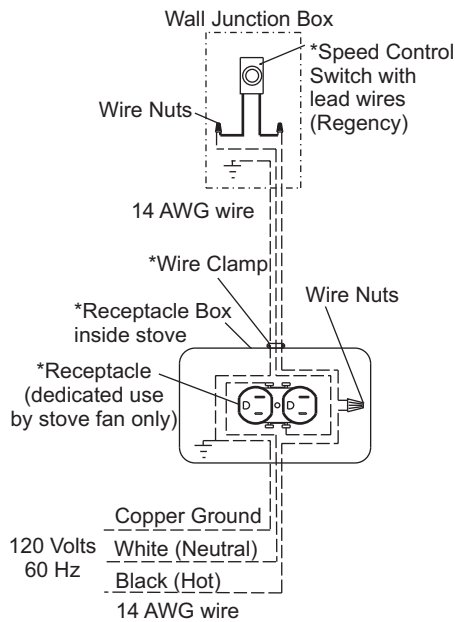
NG	Fully Closed
LP	3/16"

Note: Any damage due to carboning resulting from improperly setting the aeration controls is NOT covered under warranty.

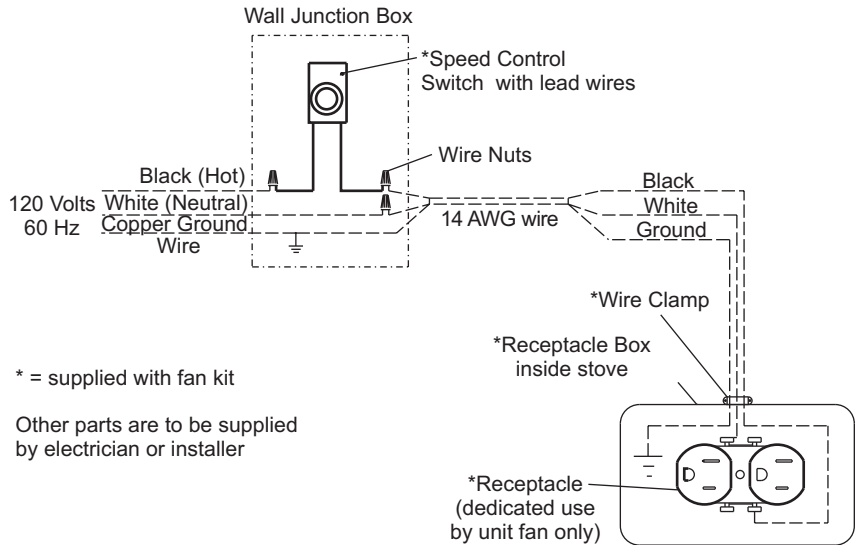
OPTIONAL FAN WIRING DIAGRAM WITHOUT PROFLAME GTMF SYSTEM



**Electrical Connection Alternative Scheme "A",
Power at Stove**

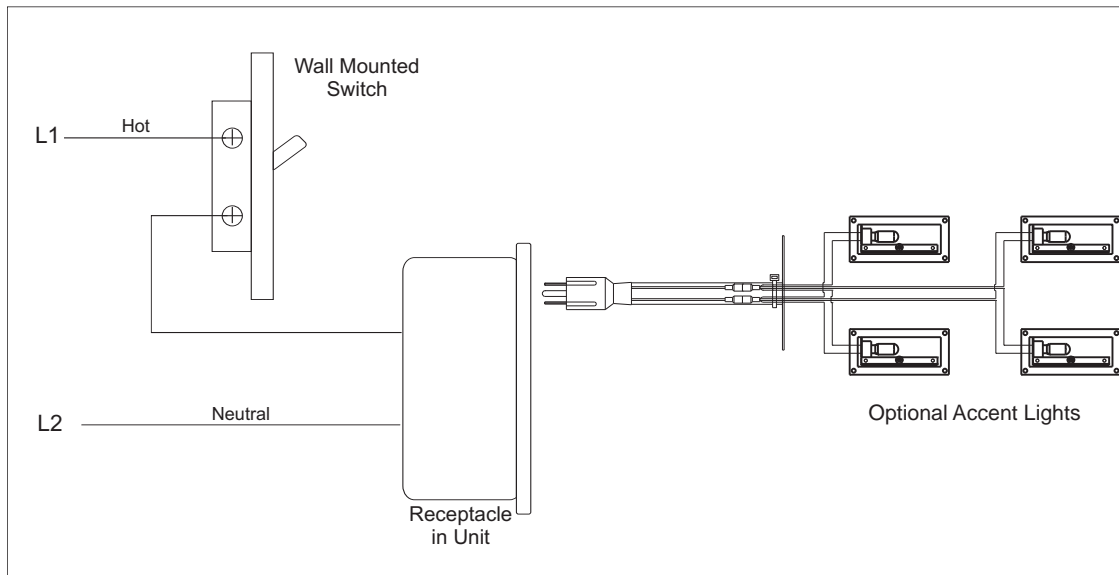


**Electrical Connection Alternative Scheme "B",
Power at Switch**



Caution: Ensure that the wires do not touch any hot surfaces and are away from sharp edges.

OPTIONAL ACCENT LIGHTING WIRING DIAGRAM



Optional REMOTE CONTROL

Use the Regency® Remote Control approved for this unit. Use of other systems may void your warranty.

The remote control comes with a hand held transmitter, a receiver and a wall mounting plate.

- 1) Choose a convenient location on the wall to install the receiver and the receptacle box (protection from extreme heat is very important). Run wires from the fireplace to that location. Use Thermostat Wire Table.

CAUTION
Do not wire millivolt
wall thermostat wires
to 120V wire.

WALL MOUNT RECEIVER INSTALLATION

REQUIRED FOR ALL INSTALLATIONS - INCLUDING PROFLAME REMOTE CONTROLS

IMPORTANT INSTALLATION NOTE:

The Receiver must be placed inside the supplied (Low Voltage)

junction type wall box and installed into the wall only.

DO NOT INSTALL WITHIN THE CONFINES OF THE FIREPLACE.

Wall Mounting

1. Install the junction box to the framing, at desired location within 10 ft. from fireplace.
2. Feed the 12 pin connector through the opening at back of junction box.
3. Connect the 12 pin connector to the back of the receiver.
4. Install the Receiver in the Low Voltage Junction box, supplied with HZ30E.
5. Insert the 4 AA type batteries in the battery compartment with the correct polarity.
6. Place the slider into the cover plate.
7. Put the Receiver switch in the "OFF" position, to allow correct lineup for slider switch.
8. Make sure the Receiver and cover plate words "ON" and "UP" are on the same side.
9. Align the slider with the switch on the Receiver and couple the switch into the slider.
10. Align the screw holes.
11. Using the two (2) screws provided secure the cover plate to the Receiver.

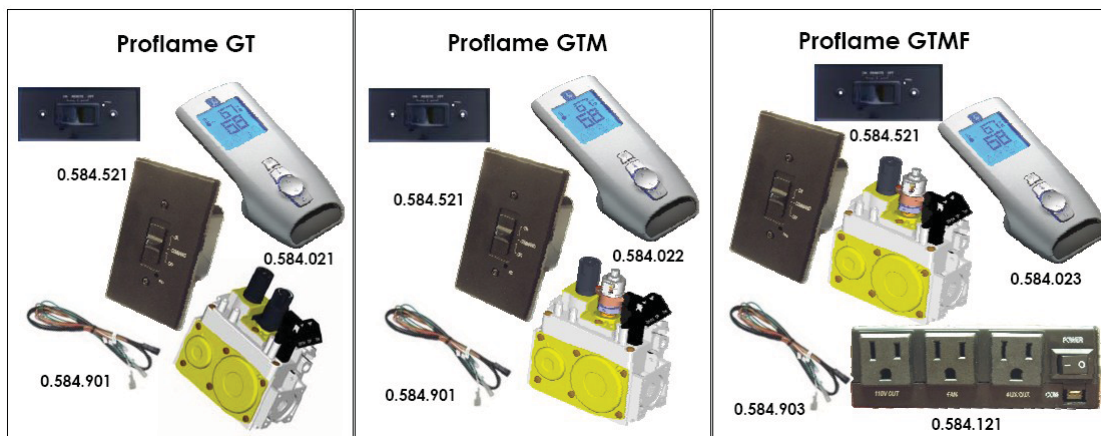


Low Voltage Junction Box

584 Proflame GT Series Feature Sheet

Feature	Icon	Proflame GT	Proflame GTM	Proflame GTMF
Room Temperature Display		X	X	X
Child Lock		X	X	X
Low Battery		X	X	X
On/Off Thermostat		X	X	X
Flame On/Off Only		X		
Flame ON/Off & Modulation (6 Levels) ¹			X ¹	X ¹
Smart Thermostat			X	X
Fan Speed Control (6 Levels)				X
On/Off Auxillary Outlet (110V)				X
Constant (110V) Outlet				X

(X) Indicates Included Feature



Note 1 ~ Proflame Flame Modulator for GTM & GTMF Remote Controls are sold separately. Choice of NG or LP flame modulator (to match unit fuel type). See Regency Retail Price pages for complete details

Note 2 ~ FPI Proflame Remote Controls come standard with white wall mount switch & cover plate.

BATTERY INSTALLATION

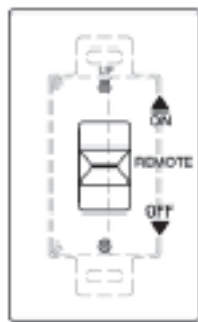
- 1) Install 4 - AA batteries into the receiver located on the wall, ensure correct polarity.



- 2) Refer to coding instructions in manual that accompanies GT remote.

GT REMOTE INSTALLATION

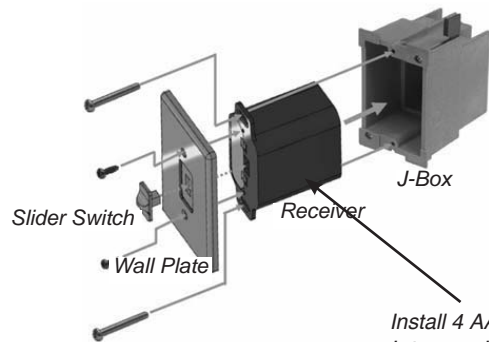
1. GT remote installation - see Proflame remote instructions for coding remote to receiver as well as operating instructions.



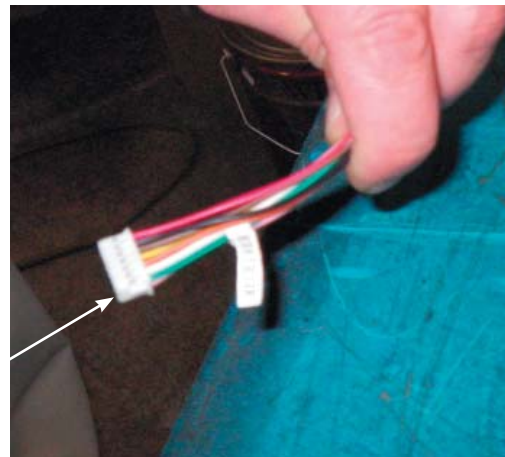
Receiver Wall Mount



12 pin connector - located on outer right side of the firebox.



Install 4 AA batteries into receiver.



INSTALLATION

GTM REMOTE INSTALLATION

DFBC = digital fireplace burner control

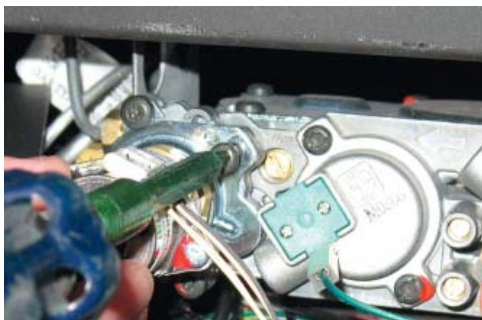
- 1) Remove the faceplate and glass door to access to Receiver.



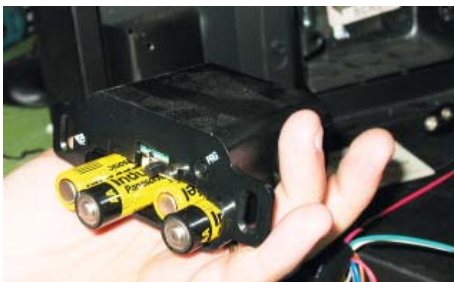
- 2) Remove the hi/lo knob from the valve head, if installed, by removing 2 screws as shown below.



- 3) Install the stepper motor in the same location the hi/lo knob was removed from - with 2 screws as shown below.



- 4) Install 4 - AA batteries into the receiver, ensure correct polarity.



- 5) Remove the module tray on the right side of the unit to access the DFBC



- 6) Plug receiver wires into the back of the receiver and bundle wires with the wire clip as shown below.



Wire Clip

- 7) Connect GTM motor wire from the stepper motor to the wire connector from the receiver wire harness.



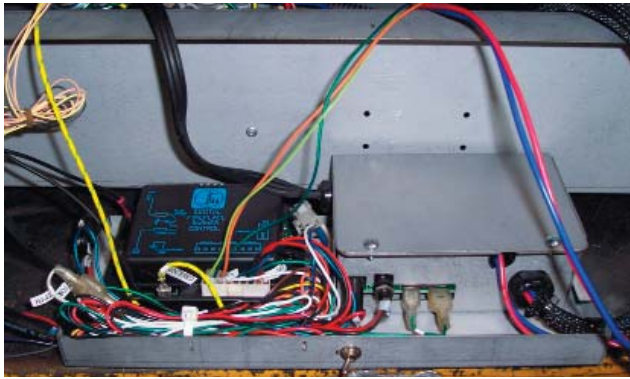
- 8) Program Receiver and transmitter (refer to manual)

Note: DO NOT USE 4 AA batteries on the control module; the DFBC is now powered by the receiver batteries in the wall.

GTMF REMOTE INSTALLATION

DFBC = digital fireplace burner control

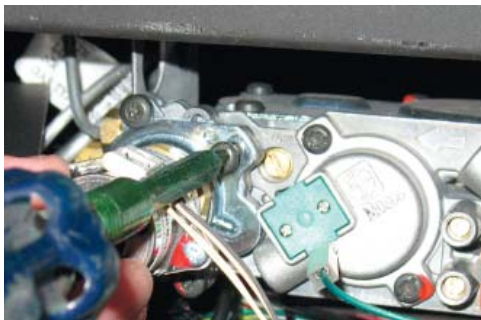
- 1) Remove the faceplate and glass door to access to DFBC & battery pack tray.
- 2) Lift DFBC and battery pack up and out.



- 3) Remove the hi/lo knob from the valve head, if installed, by removing 2 screws as shown below.



- 4) Install the stepper motor in the same location the hi/lo knob was removed from - with 2 screws as shown below.



- 5) Install 4 - AA batteries into the receiver, ensure correct polarity.



- 6) Remove the module tray on the right side of the unit to access the DFBC



- 7) Plug receiver wires into the back of the receiver and bundle wires with the wire clip as shown below.



- 8) Connect GTM motor wire from the stepper motor to the wire connector from the receiver wire harness.

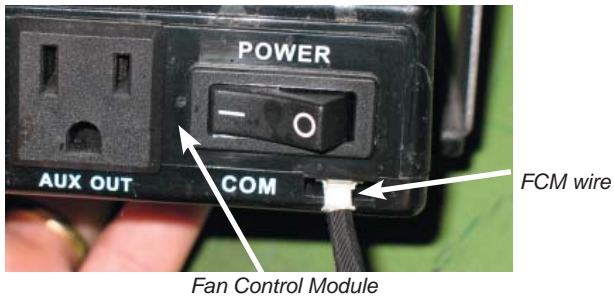


- 9) Program Receiver and transmitter (refer to manual)

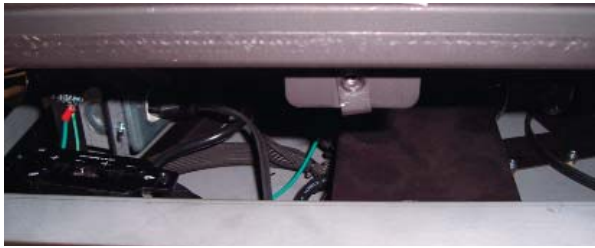
Note: DO NOT USE 4 AA batteries on the control module; the DFBC is now powered by the receiver batteries in the wall.

INSTALLATION

- 10) From the wire harness, plug the FCM wire into the fan control module.



- 11) Install the fan control module onto the floor of the unit. Place it to the right of the receiver.



- 12) Plug fan control module into receptacle located on the left hand side of the unit.
- 13) Match the remote control to the receiver - see remote control instructions.
- 14) Reverse step 1.
- 15) Check to ensure there are no gas leaks..

OPTIONAL REFLECTIVE PANEL INSTALLATION

Before installation, panels must be handled and cleaned as per instructions noted below:

Stainless Steel Panels	Black Enamel Panels
<ul style="list-style-type: none"> Stainless panels must be inspected for scratches and dimples prior to installation. All claims to be recorded at this time. Claims for damage after installation will not receive consideration. 	<ul style="list-style-type: none"> Black Enamel panels must be inspected for scratches and dimples prior to installation. All claims to be recorded at this time. Claims for damage after installation will not receive consideration.
<ul style="list-style-type: none"> To protect the finish during installation and handling - cotton gloves MUST be worn at all times while handling the panels (even when 	
<ul style="list-style-type: none"> Use a hair dryer to remove the protective coating from the panels. 	
<ul style="list-style-type: none"> Stainless panels will discolor a little during normal operation. This is normal and should not be considered a defect. 	<ul style="list-style-type: none"> Black Enamel panels will discolor a little during normal operation. This is normal and should not be considered a defect.
<p>* All hand and finger marks MUST be cleaned off with a soft cloth and a stainless steel cleaner. Most stainless steel cleaners leave a film/residue on the surface of the panels. Use an ammonia based cleaner (ie. glass cleaner) to remove this film before applying heat to the unit. Failure to do this will result in burn stains on panels which you will be unable to remove. Not protected by product warranty.</p>	<p>* All hand and finger marks MUST be cleaned off with a soft cloth. Use an ammonia based cleaner (ie. glass cleaner) to remove any fingerprints before applying heat to the unit. Failure to do this will result in burn stain on panels which you will be unable to remove. Not protected by product warranty.</p>

1) Remove the faceplate and glass door if already installed - see manual for instructions.

Note: Only one glass door needs to be removed - not both.

2) Remove the top deflector - located on the inside top of the unit - by removing 4 screws - as shown below.

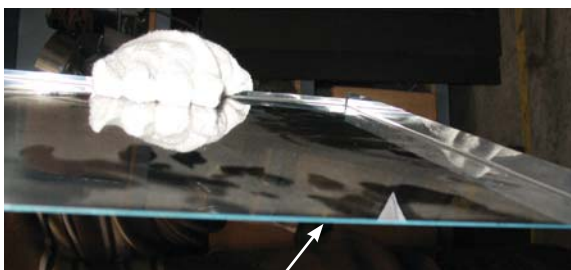


3) Loosen screw securing the panel clip located in the middle of the side panel - inside the firebox.

The screw is on the top inside of the firebox.

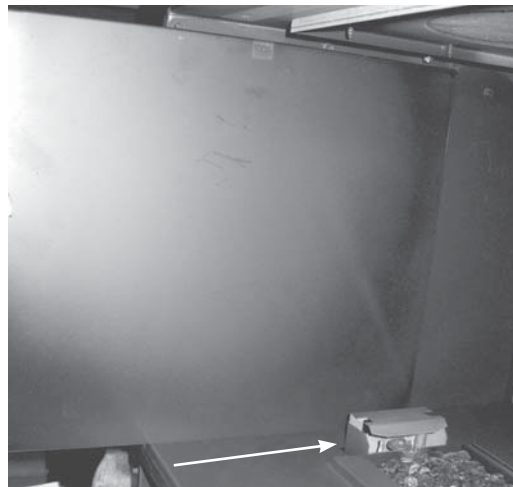


4) Orient the panel with the folds facing the wall of the firebox. The thin unfolded edge should be facing down towards the floor of the firebox.



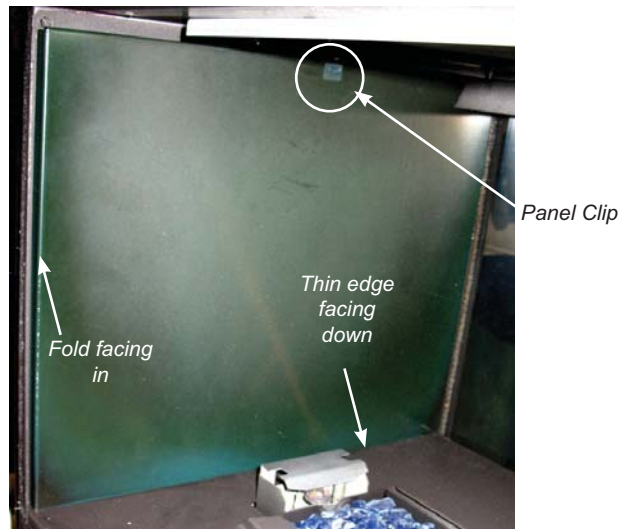
Thin edge faces downward

5) Slide the panel in between the side wall of the firebox and the panel clip - adhere to all handling instructions.



6) With panel in position - retighten screw to secure panel clip.

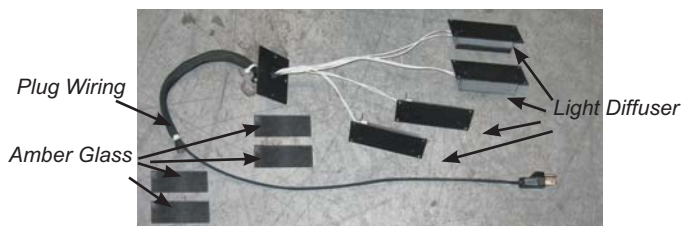
7) Repeat steps 3-5 on opposite side.



8) Reverse step 2 and 1.

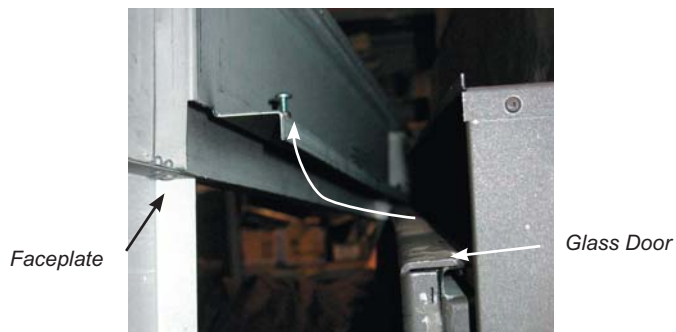
OPTIONAL LIGHT INSTALLATION

HZ42ST Accent Light Assembly Kit # 586-959		
1	910-814	Plug wiring + gasket
4	910-997	Halogen Bulb
4	940-363	Amber Glass
1	Light Assembly	Includes gaskets (x 4)
1	918-829	Instruction Sheet

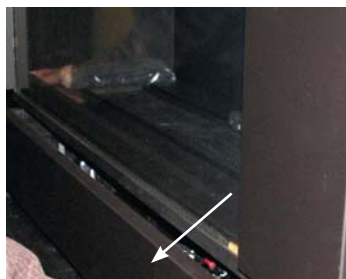


Important: 120 Volt AC power is required for the optional light. The receptacle box will be installed on the lower left corner of the unit and will need to be wired by a qualified electrician prior to the optional light installation. The neutral (wider) slot of the polarized receptacle should be at the top. A wall mounted switch should be installed to turn the accent lighting on/off. See wiring diagram in the instruction manual.

- 1) Shut off electrical supply.
If faceplate is installed - complete steps 2 & 3 below.
- 2) Remove faceplate by lifting up off glass door - see below.



- 3) Slide out bottom faceplate panel - see below.



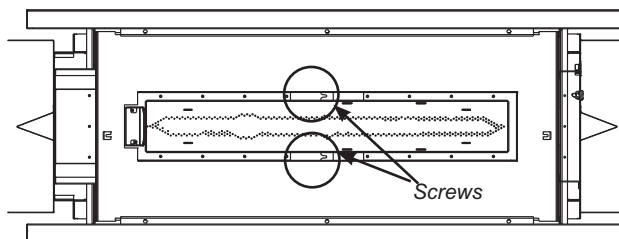
- 4) Remove the glass door - see instructions in manual.
- 5) Remove the glass crystals/optional ceramic stones or pebbles- if installed.
- 6) Remove inner panels if installed - see instructions in manual.

- 7) Remove bottom cover



Bottom cover

- 8) Loosen 2 screws securing burner - slide burner away from the pilot and lift out.



- 9) Remove cover plate located in the centre of the firebox floor by removing 4 screws. Discard the cover plate and gasket - keep the screws.



- 10) Feed the plug wiring through the opening in the middle of the firebox - secure light assembly mounting plate with 4 screws (use screws from cover plate).

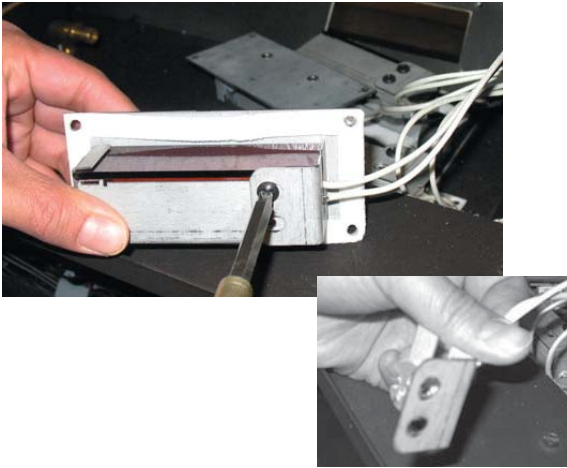


- 11) Remove the 4 cover plates located in the lower outside front and back of the firebox by removing 4 screws from each plate. Discard the cover plates and gaskets - keep the screws.

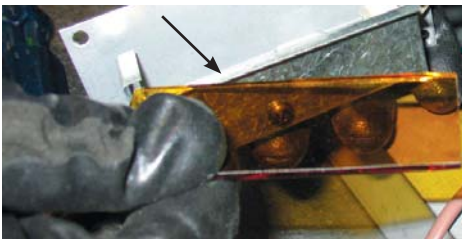


Cover Plate

- 12) Remove one screw securing the socket end of the diffuser and separate the 2 parts - as shown below.



- 13) Remove the amber glass - by sliding out.



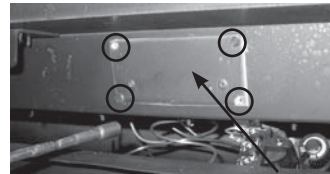
- 14) Place gasket over the inside perimeter of the light diffuser box.



- 15) **From outside the firebox** -Install light assembly box and gasket into opening created from the removal of the cover plates open end up - as shown below.



- 16) Secure the light diffuser in place with the 4 screws set aside from the cover plates.



Screws secured from outside the firebox.

- 17) Slide amber glass into light diffuser to reinstall.

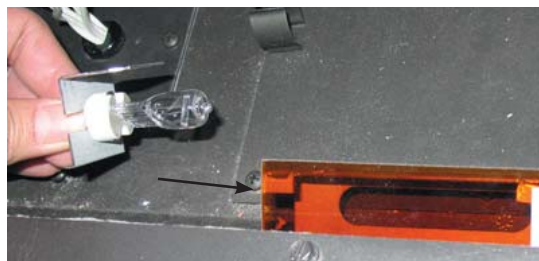


- 18) Install bulb into socket end of assembly.

Note: Oils from hands will shorten the life of the bulbs, do not handle bulbs with bare hands.



- 19) Install socket and bulb into light diffuser as shown below.

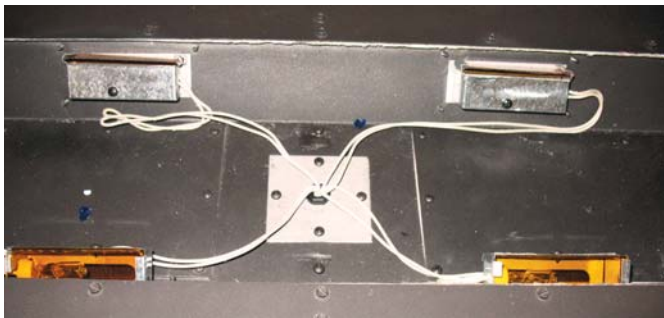


INSTALLATION

- 20) Secure socket to light diffuser with one screw - as shown below.

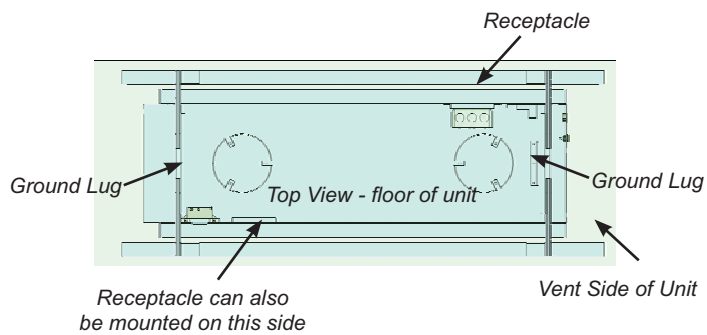


- 21) Repeat steps 12-20 to install the 3 remaining light diffusers .
 22) After all light diffusers are installed - manage wiring so that it is neatly arranged and out of the way - as shown below.



- 23) Attach ground wire to ground lug - and plug in light assembly.

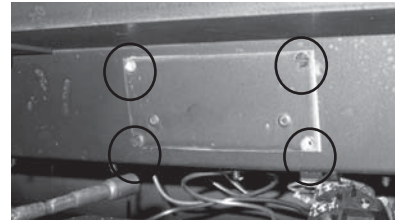
Note: The receptacle can be mounted in 2 locations in the firebox. (see below)



- 24) Reconnect electrical supply - test lights.
 25) Reverse steps 8 -2.

BULB REPLACEMENT

- 1) Slide out bottom faceplate panel - see step 3 from previous page.
 2) Remove 4 screws securing light diffuser mounting plate.



- 3) Pull out light diffuser.



- 4) Remove one screw securing the socket end of the diffuser and separate the 2 parts - as shown below.



- 5) Replace bulb.

Note: Oils from hands will shorten the life of the bulbs, do not handle bulbs with bare hands.



- 6) Reverse steps 3 through 1.

GLASS CRYSTALS OR OPTIONAL CERAMIC STONES INSTALLATION ON BURNER

Spread the Glass Crystals or Stones evenly over the burner. Ensure the crystals/stones do not overlap excessively as this will affect the flame pattern.

IMPORTANT NOTE:

Only the supplied approved Glass Crystals and Stones are to be used with these fireplaces. Use of any other type of glass crystals or stones can alter the unit's performance, any damage caused by the use of any unapproved glass or stones will not be covered under warranty.

When using Ceramic Spa/Volcanic Stones **DO NOT** cover burner ports or pilot light that lead to pilot flame.

BURNER PACKAGES		
Unit	*Glass Crystals	Stones - Spa / Ceramic / Volcanic
E18	5lbs	5lb Glass + 70 spa stones or 1 Box Volcanic stones
GF900C (AUS)	10lbs (2lbs burner + 8lbs firebox)	10 lb Glass + 32 Volcanic Stones
HZ54E	3 lbs	1 lb Glass + 2 packages (140 Spa Stones) 2 lb Glass + 35 Ceramic Stones or 2 lb Glass + 40 Volcanic Stones
HZ42 / HZ42E	2 lbs	1 lb Glass + 1 package (70 Spa Stones)
HZ42ST / HZ42STE	2 lbs	1 lb Glass + 1 package (70 Spa Stones)
HZ30E **	1 lb	1 lb Glass + 1 package (70 Spa Stones)** / 1 lb Glass + 30 Volcanic Stones 1 lb Glass + 24 Ceramic Stones
HZ40E	2lbs	1.5 lb Glass + 30 Ceramic Stones or 1.5 lb Glass + 25 Volcanic Stones
HZ33CE	4lbs	4 lb Glass + 1 package (70 Spa stones) 4 lb Glass + 20 Volcanic Stones 4 lb Glass + 16 Ceramic Stones
HZI234E ***	3/4 lb	3/4 lb Glass + 1 package (70 Spa Stones)***
HZI390EB / HZI390PB	7 lbs [4 lbs burner + 3 lbs firebox]	2 lb Glass + 1 package (70 Spa Stones)
HZI540EB HZI540PB	10 lbs [5 lbs burner + 5 lbs firebox]	10 lb Glass + 1 package (70 Spa Stones) / 2 lb Glass + 40 Volcanic Stones 2 lb Glass + 30 Ceramic Stones
HZO42/HZO42 (AUS)	3 lbs	3 lb Glass + 35 Volcanic stones
HZO42 (AUS)	3 lbs	3 lb Glass + 50 Garden Stones
HZ965	12 lbs	2 package Spa Stones = (140 spa stones)
PTO28CIT	5 lbs	5 lb Glass + 14 Volcanic Stones (Recommended)
PTO28 Burner Only	6 lbs	6 lb glass + 14 Volcanic Stones (Recommended)
PTO30 / Plateau Series	10 lbs	1 Box Volcanic Stones
PTO60	20 lbs	2 Boxes Volcanic Stones
<p>NOTE: * Glass Crystals are not supplied with the unit. Must purchase separately - see quantities above. Glass Crystals are available in 1lb and 5lb bags. Note: 1 Spa stone package contains 70 stones. ** Recommended - use only 40 of the 70 spa stones on the HZ30E burner. *** Recommended - use only 24 of the 70 spa stones on the HZI234E burner.</p>		

OPTIONAL PEBBLES / GLASS CRYSTAL INSTALLATION FOR FIREBOX BASE (AROUND BURNER)

There are 2 optional packages to choose from to cover the firebox base:

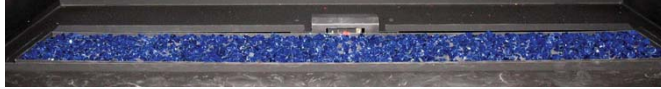
- 1) Natural River Pebbles
- 2) Glass Crystals (4 colors available)

Spread the pebbles / crystals evenly on the exposed base of the firebox. Pebbles are **NOT** to be placed anywhere on the burner or over top of the Glass Crystals or optional Stones.

IMPORTANT NOTE: Only the supplied and approved pebbles / glass crystals are to be used with these fireplaces. Use of any other type of pebbles, glass crystals or other material can create a danger and will void the warranty.

Firebox (Around Burner) Packages		
Unit	Glass Crystals	Pebbles
HZ54E / HZ54EPV	6 lbs	2 packages (6 x bags pebbles)
HZ42 / HZ42E / HZ40E	5 lbs	2 packages (6 x bags pebbles)
HZ42ST / HZ42STE / HZ42STEPV	5 lbs	2 package (6 x bags pebbles)
HZ30E	2 lbs	1 package (3 x bags pebbles)
HZI540E	3 lbs	1-2/3 packages (5 x bags pebbles)
HZI390E / HZI390PB	3 lbs	1 package (3 x bags pebbles)
HZI234E	2 lbs	1 package (3 x bags pebbles)
HZO42 / HZO42 (AUS)	3 lbs	1 package (3 x bags pebbles)

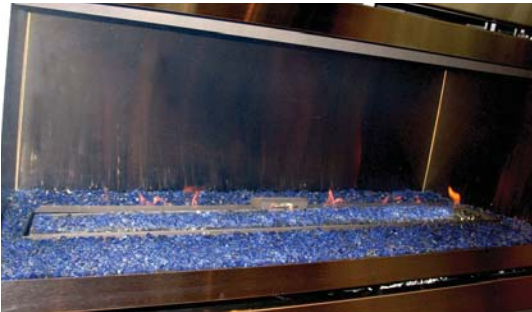
INSTALLATION



*Glass Crystals shown on Burner
For Units HZ54E, , HZ42ST, HZ42STE, HZI234E, HZ42E, HZ42,
HZ30E,
HZO42, HZO42 (AUS) PTO30, PTO60, Plateau Series*



*Optional Spa Stones + Glass Crystals shown on burner.
For Units HZ54E, HZ42ST, HZ42STE, HZI234E, HZ42, HZ42E,
HZ30E*



Glass Crystals shown surrounding the Burner



Natural River Pebbles shown surrounding the a Horizon Burner



*Glass Crystals shown on Burner and Firebox Floor
For Units HZI390E, HZI540E*



DO NOT block pilot area with glass crystals

GLASS DOOR INSTALLATION

The **glass door** comes with a black frame.

1) To install the frame and glass door, simply hook the top door flange onto the top of the unit and swing the door towards the unit, Diagram 1.

Note: Be careful that the glass gasket does not roll up; there must be a gap between the gasket and the door lip to ensure that the door sits securely on the unit. See Diagram 2.

2) With the door in proper position - secure with 3 screws in locations shown in Diagram 3.

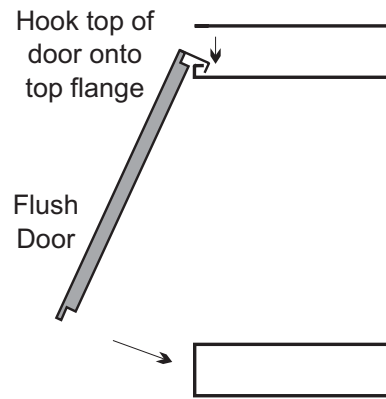
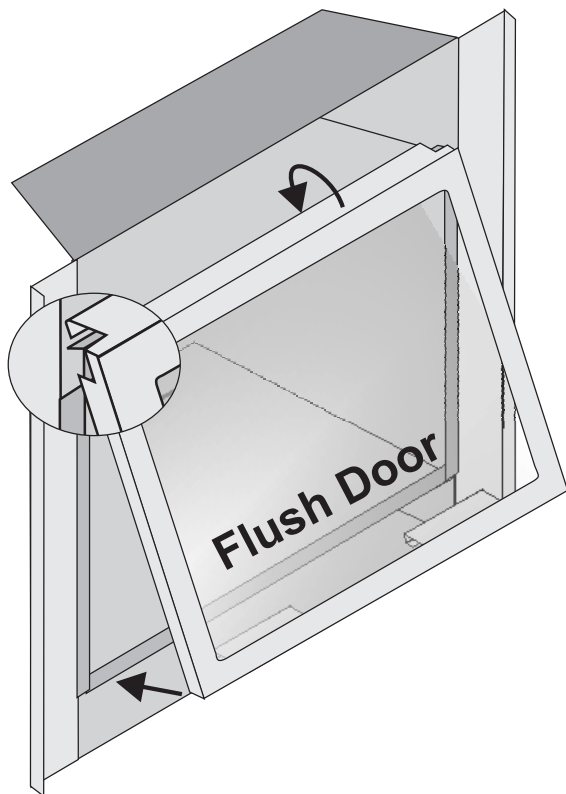


Diagram 1

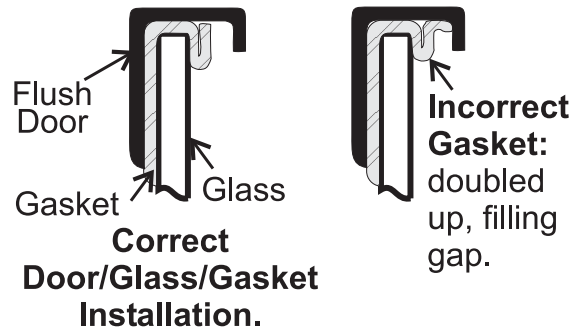


Diagram 2

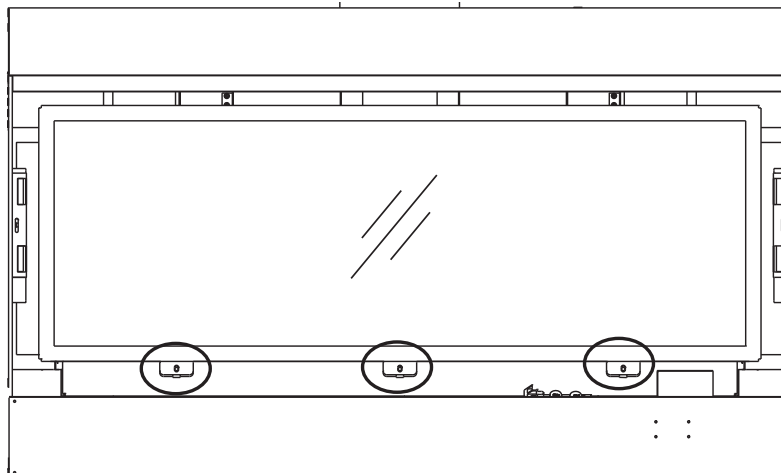
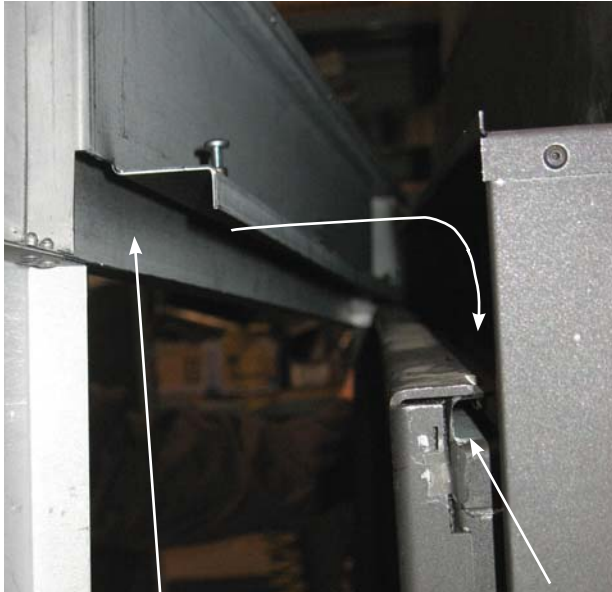


Diagram 3

FACEPLATE INSTALLATION

- 1) Hook the flange on the back of the faceplate over the top edge of the glass door - as shown below.



Faceplate

Glass Door

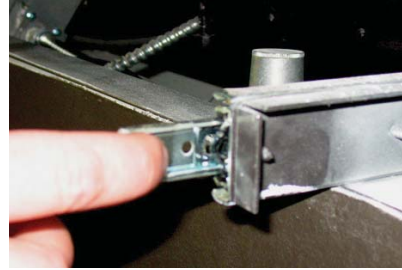
- 2) The height at which the faceplate sits may be adjusted to maintain an even space between the upper faceplate and lower faceplate panel.

The upper faceplate can be raised up once the lower faceplate panel is in position - by adjusting the 2 screws at the back of the upper faceplate - see below (requires an extended phillips head screw driver)

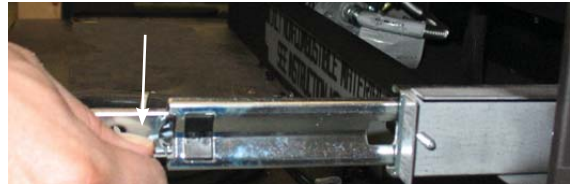


The bottom panel of the faceplate installs on the unit with 2 slides. These slides are located in the bottom of the unit - already installed within the outer slide. The inner slides need to be removed to install them on the brackets.

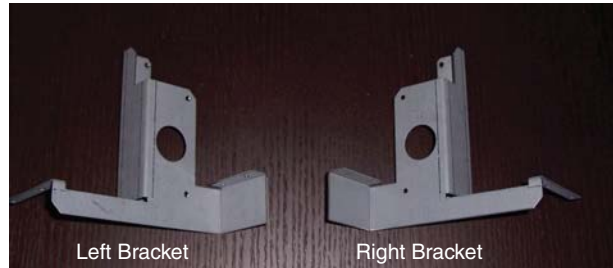
- 3) Pull out inner slide from the outer slide.



- 4) Push down on the black lever on the outside of the inner slide - this will release the inner slide. Pull inner slide completely out - from outer slide.

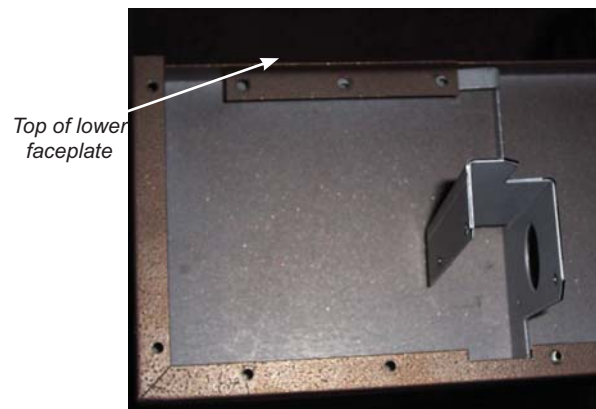


- 5) Lay out the brackets for the lower faceplate to identify the left and right brackets.



- 6) Install the brackets onto the lower faceplate.

Note: Installation location of the left and right brackets is the same for both the HZ42 and HZ42ST.

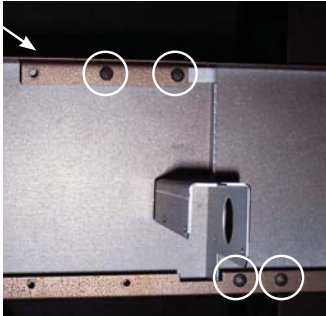


Top of lower faceplate

Right bracket shown in position on lower faceplate.

7) Secure each bracket with 4 screws in locations shown below.

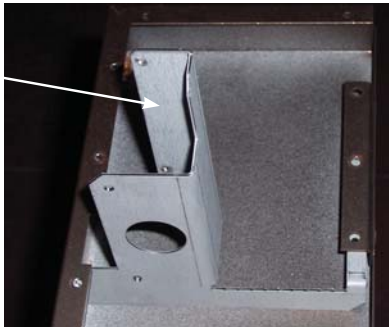
Top of lower faceplate



Screw locations.

8) Install the inner slide removed from Step 4 to the bracket.
Note: Installation locations of the slide are different for the HZ42 and HZ42ST - read instructions carefully.

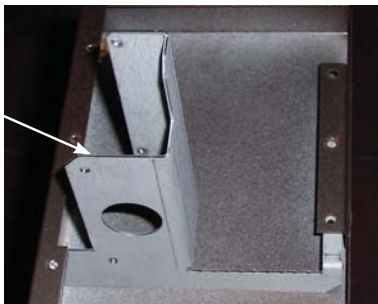
HZ42 - install slider on this side of the bracket.



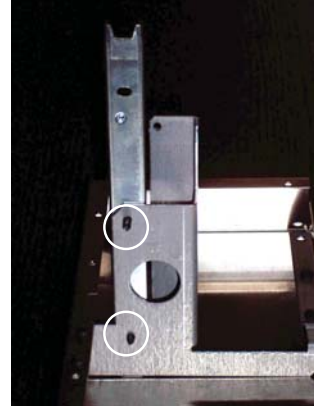
HZ42 - Install slider with flat side facing outward -secure with 2 screws in locations shown.



HZ42ST - install slider on this side of the bracket.



HZ42ST - install slider with flat side facing inwards -secure with 2 screws in locations shown.



10) With brackets and inner slides attached to the lower faceplate panel - guide the lower faceplate panel into the outer slides located in the bottom part of the unit. See inset. Push in until flush with upper faceplate.



To adjust the space between the upper faceplate and the lower faceplate panel - see step 2.

11) Final installation of faceplate on HZ42 unit



Note: Two faceplates need to be installed on the HZ42 ST unit.

OPERATING INSTRUCTIONS

OPERATING INSTRUCTIONS

- 1) Read and understand these instructions before operating this appliance.
- 2) Check to see that all wiring is correct and enclosed to prevent possible shock.
- 3) Check to ensure there are no gas leaks.
- 4) Make sure the glass in the glass door frame is properly positioned. Never operate the appliance with the glass removed.
- 5) Verify that the venting and cap are unobstructed.
- 6) The unit should never be turned off, and on again without a minimum of a 60 second wait.

FIRST FIRE

The **FIRST FIRE** in your heater is part of the paint curing process. To ensure the paint is properly cured, it is recommended you burn your fireplace for at least four (4) hours the first time with the fan on.

When first operated, the unit will release an odour caused by the curing of the paint and the burning off of any oils remaining from manufacturing. Smoke detectors in the house may go off at this time. Open a few windows to ventilate the room for a couple of hours. The glass may require cleaning.

NOTE: When the glass is cold and the appliance is lit, it may cause condensation and fog the glass. This condensation is normal and will disappear in a few minutes as the glass heats up.

DO NOT ATTEMPT TO CLEAN THE GLASS WHILE IT IS STILL HOT!

DO NOT BURN THE UNIT WITHOUT THE GLASS DOOR IN PLACE.

During the first few fires, a white film may develop on the glass front as part of the curing process. The glass should be cleaned after the unit has cooled down or the film will bake on and become very difficult to remove. Use a non-abrasive cleaner and **DO NOT ATTEMPT TO CLEAN THE GLASS WHILE IT IS HOT.**

LIGHTING PROCEDURE

- 1) Turn on the wall switch or press and release on ON/OFF button once on the remote control.
- 2) After approximately 4 seconds the spark ignition system will spark for 60 seconds to light the main burner.
- 3) The unit will turn on.

Note: The first try for ignition will last approximately 60 seconds. If there is no flame ignition (rectification) the board will stop sparking for approximately 35 seconds. After wait time, the board will start second try for ignition by sparking for approximately 60 seconds. If there is still no positive ignition the board will go into lock out.

The system will need to be reset as follows:

- a) Turn the system off using ON/OFF switch or press ON/OFF button - if using optional remote.
- b) After approximately 2 seconds turn on ON/OFF switch or press ON/OFF button if using optional remote.
- c) Repeat step 2.

SHUTDOWN PROCEDURE

- 1) Turn ON/OFF switch or press and release the ON/OFF button once if using optional Remote Control.
- 2) If service is to be performed - you must disconnect the battery.

NORMAL OPERATING SOUNDS OF GAS APPLIANCES

It is possible that you will hear some sounds from your gas appliance. This is perfectly normal due to the fact that there are various gauges and types of steel used within your appliance. Listed below are some examples. All are **normal operating sounds** and should not be considered as defects in your appliance.

Burner Tray:

The burner tray is positioned directly under the burner and is made of a different gauge material from the rest of the firebox and body. Therefore, the varying thicknesses of steel will expand and contract at slightly different rates which can cause "ticking" and "cracking" sounds. You should also be aware that as there are temperature changes within the unit these sounds will likely re-occur. Again, this is normal for steel fireboxes.

Pilot Flame:

While the pilot flame is on it can make a very slight "whisper" sound.

Gas Control Valve:

As the gas control valve turns ON and OFF, a dull clicking sound may be audible, this is normal operation of a gas regulator or valve.

Unit Body/Firebox:

Different types and thicknesses of steel will expand and contract at different rates resulting in some "cracking" and "ticking" sounds will be heard throughout the cycling process.

Blower Thermodisc:

When this thermally activated switch turns ON it will create a small "clicking" sound. This is the switch contacts closing and is normal.

COPY OF LIGHTING PLATE INSTRUCTIONS

FOR YOUR SAFETY READ BEFORE LIGHTING

This appliance must be installed in accordance with local codes, if any; if none, follow the National Fuel Gas Code, ANSI Z223.1/NFPA 54, or Natural Gas and Propane Installation Codes, CSA B149.1.

WARNING: If you do not follow these instructions exactly, a fire or explosion may result causing property damage, personal injury or loss of life. Improper installation, adjustment, alteration, service or maintenance can cause injury or property damage. Refer to the owner's information manual provided with this appliance. For assistance or additional information consult a qualified installer, service agency or gas supplier.

AVERTISSEMENT: Quiconque ne respecte pas à la lettre les instructions dans la présente notice risque de déclencher un incendie ou une explosion entraînant des dommages, des blessures ou la mort.

Une installation, d'ajustement, de modification, de service ou d'entretien peut provoquer des blessures ou des dommages matériels. Reportez-vous au manuel du propriétaire de l'information fournie avec cet appareil. Pour obtenir de l'aide ou des informations supplémentaires consulter un installateur qualifié, une agence de service ou fournisseur de gaz.

A) This appliance is equipped with an ignition device which automatically lights the pilot. Do not try to light the pilot by hand.

B) **BEFORE OPERATING** smell all around the appliance area for gas. Be sure to smell next to the floor because some gas is heavier than air and will settle on the floor.

WHAT TO DO IF YOU SMELL GAS

- Do not try to light any appliance.
- Do not touch any electric switch, do not use any phone in your building.
- Immediately call your gas supplier from a neighbour's phone. Follow the gas supplier's instructions.
- If you cannot reach your gas supplier, call the fire department.

C) Do not use this appliance if any part has been under water. Immediately call a qualified service technician to inspect the appliance and replace any part of the control system and any gas control which has been underwater.

A) Cet appareil est muni d'un dispositif d'allumage qui allume automatiquement la veilleuse. Ne tentez pas d'allumer la veilleuse manuellement.

B) **AVANT DE FAIRE FONCTIONNER**, renifllez tout autour de l'appareil pour détecter une odeur de gaz. Renifllez près du plancher, car certains gaz sont plus lourds que l'air et peuvent s'accumuler au niveau du sol.

QUE FAIRE SI VOUS SENTEZ UNE ODEUR DE GAZ :

- Ne pas tenter d'allumer d'appareil
- Ne touchez à aucun interrupteur, ne pas vous servir des téléphones se trouvant dans le bâtiment.
- Appelez immédiatement votre fournisseur de gaz depuis un voisin. Suivez les instructions du fournisseur.
- Si vous ne pouvez rejoindre le fournisseur, appelez le service des incendies

C) N'utilisez pas cet appareil s'il a été plongé dans l'eau, même partiellement. Faites inspecter l'appareil par un technicien qualifié et remplacez toute partie du système de contrôle et toute commande qui ont été plongés dans l'eau.

CAUTION: Hot while in operation. Do not touch. Severe Burns may result. Due to high surface temperatures keep children, clothing and furniture, gasoline and other liquids having flammable vapors away. Keep burner and control compartment clean. See installation and operating instructions accompanying appliance.

LIGHTING INSTRUCTIONS

- 1) Manually slide the three position slider switch on the Receiver to the ON position.
- 2) After approximately 4 seconds the spark ignition system will spark for 60 seconds to light the main burner.
- 3) The unit will turn on.

Note: The first attempt to ignition will last approximately 60 seconds. If there is no flame ignition (rectification) the board will stop sparking for approximately 35 seconds. After this wait time, the board will start a second try for ignition by sparking for approximately 60 seconds. If there is still no positive ignition after the second attempt the board will go into lock out.

The system will need to be reset as follows (after going into lock out mode):

- a) Wait 5 minutes - turn the system off using manual slide switch.
- b) After approximately 2 seconds manually move slider to on or press ON/OFF button if using optional remote.
- c) Unit will repeat step 2.

- 1) Glisser le commutateur à trois positions sur le récepteur à la position ON.
- 2) Attendre 4 secondes. Le système d'allumage produira des étincelles pendant 60 secondes afin d'amorcer le brûleur principal.
- 3) Les flammes s'allumeront.

Remarque : Au premier allumage, le système tente d'allumer les flammes pendant 60 secondes. Si l'essai est infructueux, le système fait une pause de 35 secondes. C'est ce qu'on appelle l'étape de rectification. Ce délai écoulé, le système tente à nouveau d'allumer les flammes en produisant des étincelles pendant 60 secondes. Si les flammes ne s'allument toujours pas, le système se met en mode verrouillage.

Il faut alors le réinitialiser en suivant les étapes ci-dessous (pour le déverrouiller) :

- a) Attendre 5 minutes - éteindre le système en utilisant un interrupteur à glissière manuelle.
- b) Après environ 2 secondes pour déplacer manuellement curseur ou appuyez sur la touche ON / OFF si vous utilisez télécommande en option.
- c) L'unité répétera l'étape 2.

TO TURN OFF GAS APPLIANCE

- 1) Manually slide the three position slider switch on the Receiver to the OFF position.
- 2) If service is to be performed - you must disconnect power to the unit, from the battery pack, refer to manual.

- 1) Faites glisser le commutateur à trois positions sur le récepteur à la position OFF.
- 2) Si le service est effectuée, vous devez débrancher l'appareil, du bloc-piles, voir le manuel d'instruction pour plus de détails.

DO NOT REMOVE THIS INSTRUCTION PLATE

918-948

MAINTENANCE INSTRUCTIONS

- 1) Always turn off the gas valve before cleaning. For relighting, refer to lighting instructions. Keep the burner and control compartment clean by brushing and vacuuming at least once a year.
 - 2) Clean appliance and door with a damp cloth (never when unit is hot). Never use an abrasive cleaner. The glass should be cleaned with a gas fireplace glass cleaner. **The glass should be cleaned when it starts looking cloudy.**
 - 3) The faceplate is finished in a heat resistant paint and should only be refinished with heat resistant paint. Regency® uses StoveBright Paint - Metallic Black #6309.
- Note: Faceplates and inner panels made from stainless steel will naturally change color over time.**
- 4) Make a periodic check of burner for proper position and condition. Visually check the flame of the burner periodically, making sure the flames are steady; not lifting or floating. If there is a problem, call a qualified service person.
 - 5) The appliance and venting system must be inspected before use, and at least annually, by a qualified field service person, to ensure that the flow of combustion and ventilation air is not obstructed.

Note: Never operate the appliance without the glass properly secured in place.

- 6) Do not use this appliance if any part has been under water. Immediately call a qualified service technician to inspect the appliance and to replace any part of the control system and any gas control which has been under water.
- 7) In the event this appliance has been serviced check that the vent-air system has been properly resealed & reinstalled in accordance with the manufacturer's instructions.
- 8) Verify operation after servicing.

GENERAL VENT MAINTENANCE

Conduct an inspection of the venting system semi-annually. Recommended areas to inspect as follows:

- 1) Check the Venting System for corrosion in areas that are exposed to the elements. These will appear as rust spots or streaks, and in extreme cases, holes. These components should be replaced immediately.
- 2) Remove the Cap, and shine a flashlight down the Vent. Remove any bird nests, or other foreign material.
- 3) Check for evidences of excessive condensation, such as water droplets forming in the inner liner, and subsequently dripping out the joints. Continuous condensation can cause corrosion of caps, pipe, and fittings. It may be caused by having excessive lateral runs, too many elbows, and exterior portions of the system being exposed to cold weather.
- 4) Inspect joints, to verify that no pipe sections or fittings have been disturbed, and consequently loosened. Also check mechanical supports such as Wall Straps, or plumbers' tape for rigidity.

GLASS GASKET

If the glass gasket requires replacement use a tadpole glass gasket (Part # 936-159).

GLASS DOOR

Your Regency® fireplace is supplied with high temperature 5mm-Ceramic glass. If your glass requires cleaning, we recommend using an approved glass cleaner available at all authorized dealers. Do not use abrasive materials.

CAUTION & WARNINGS:

- * Do not clean when the glass is hot.
- * The use of substitute glass will void all product warranties.
- * Care must be taken to avoid breakage of the glass.
- * Do not strike or abuse the glass.
- * Do not operate this fireplace without the glass front or with a cracked or broken glass front.
- * Wear gloves when removing damaged or broken glass.
- * Replacement of the glass panel(s) should be done by a licensed or qualified service person.

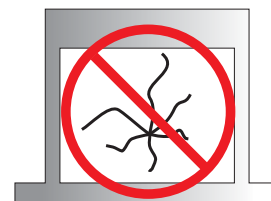
GLASS REPLACEMENT

In the event that you break your glass by impact, purchase your replacement from an authorized Regency® dealer only.

Replacement glass is shipped already installed into the door frame.

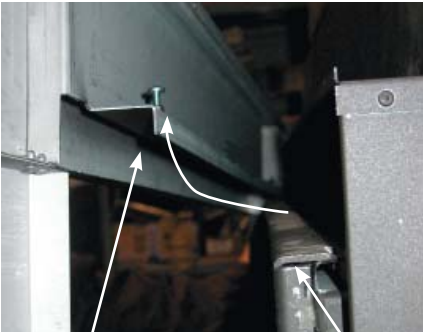
CAUTION: Wear gloves when removing damaged or broken glass.

WARNING: Do not operate the appliance with the glass panels removed, cracked or broken. Replacement of the glass panels should be done by a licensed or qualified service person.



GLASS DOOR REMOVAL

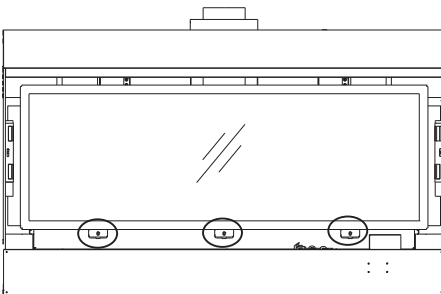
- 1) Turn the unit off and allow it to cool down to room temperature.
- 2) Turn off the gas supply to the unit.
- 3) Remove the faceplate by lifting it up off the glass door.



Faceplate

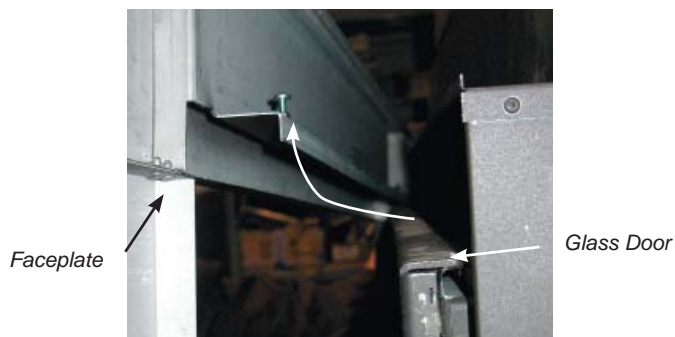
Glass Door

- 4) Remove the glass door - see manual for detailed instructions.
 - a) Remove the 3 screws shown below at the bottom of the glass door.
 - b) Swing the door out 45° from the bottom and lift up and out.

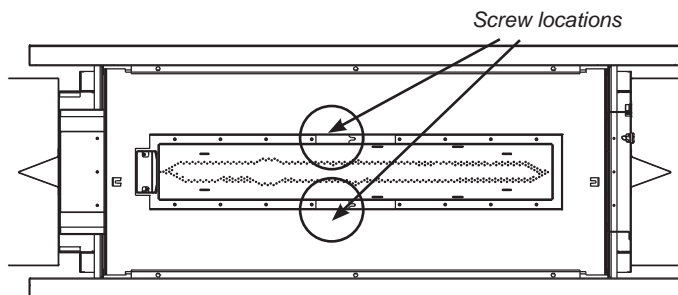


VALVE TRAY REPLACEMENT

- 1) Turn the unit off and allow it to cool down to room temperature.
- 2) Turn off the gas and power supply to the unit.
- 3) Remove the faceplate by lifting it up off the glass door.



- 6) Remove burner by removing 2 screws.

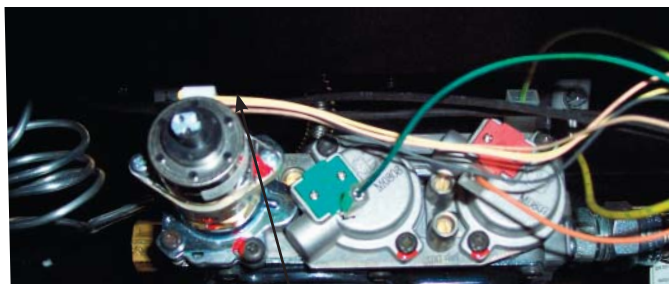


Aerial View of the burner shown.

- 7) Slide burner away from the pilot and lift out.

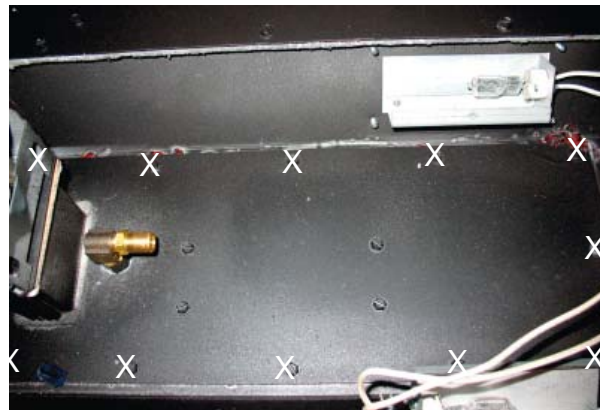


- 8) Disconnect the ON/OFF connector wires from the valve.

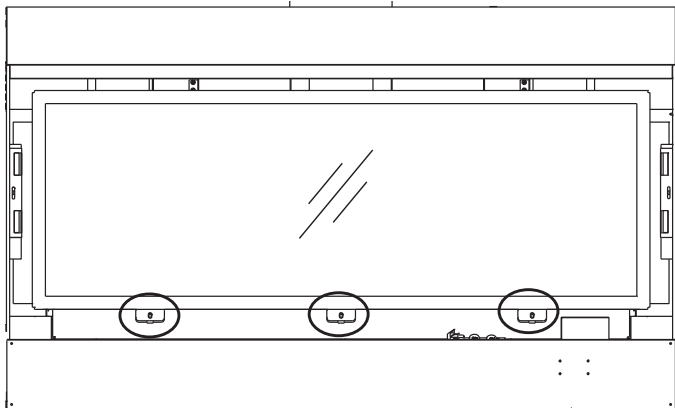


ON/OFF Connector Wires

- 9) Remove the valve assembly by undoing 12 screws.



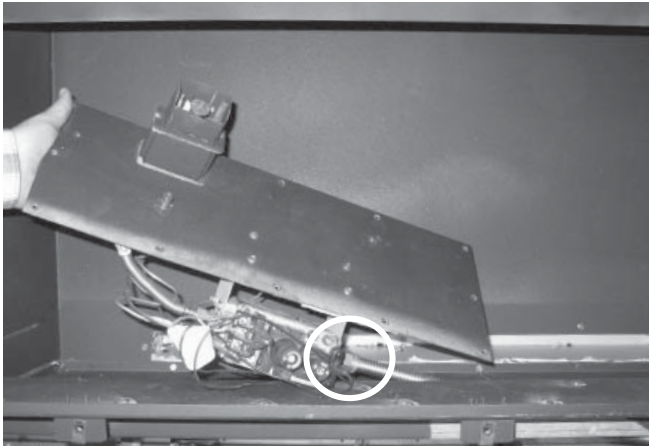
- 4) Remove the glass door.
 - a) Remove the 3 screws shown below at the bottom of the glass door.
 - b) Swing the door out 45° from the bottom and lift up and out.



- 5) Remove bottom cover by lifting up and out.



10) Partially lift out valve tray.



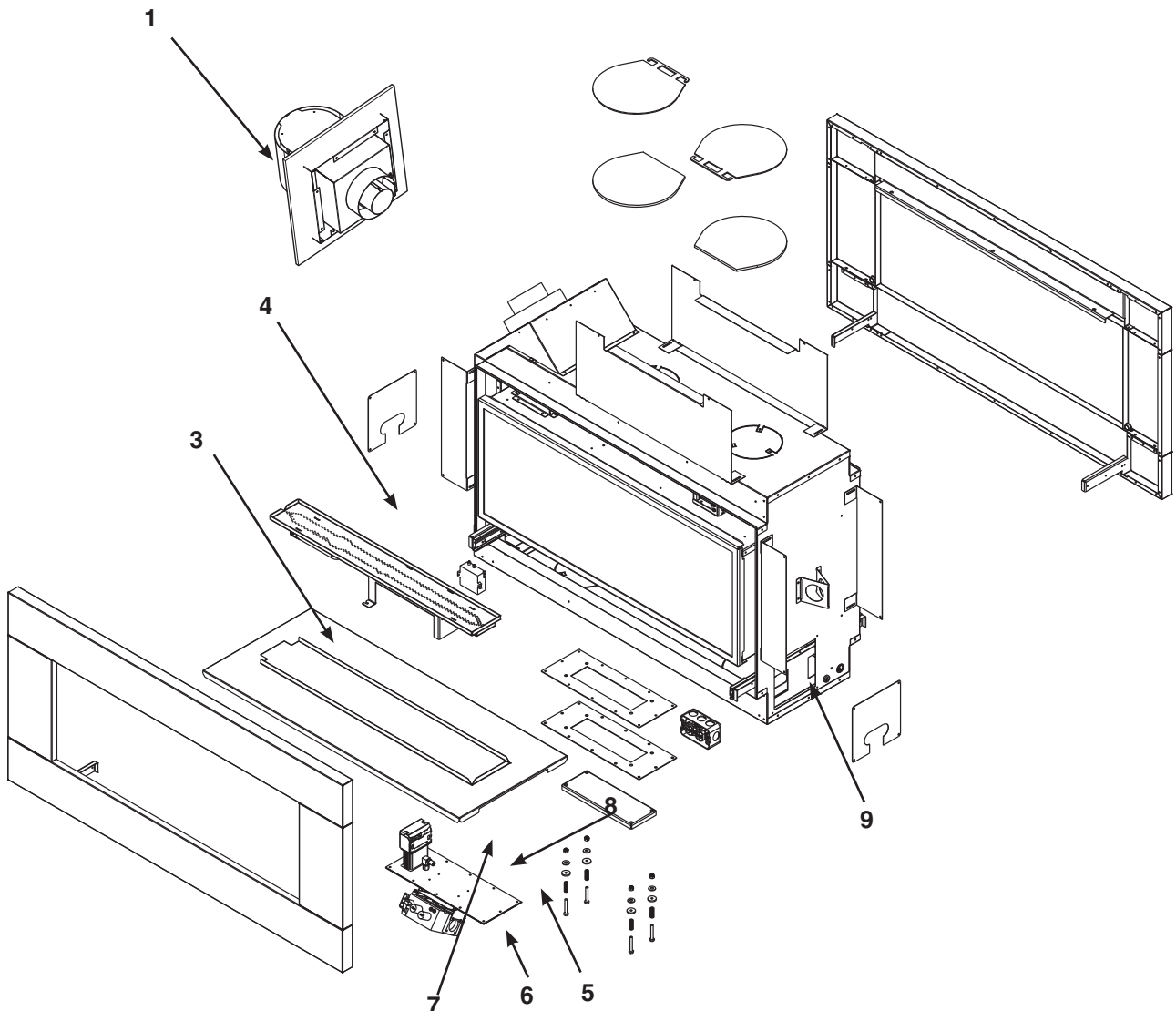
11) Disconnect the inlet gas line and remove the valve assembly.

12) Replace the valve assembly and reverse steps.

PARTS LIST

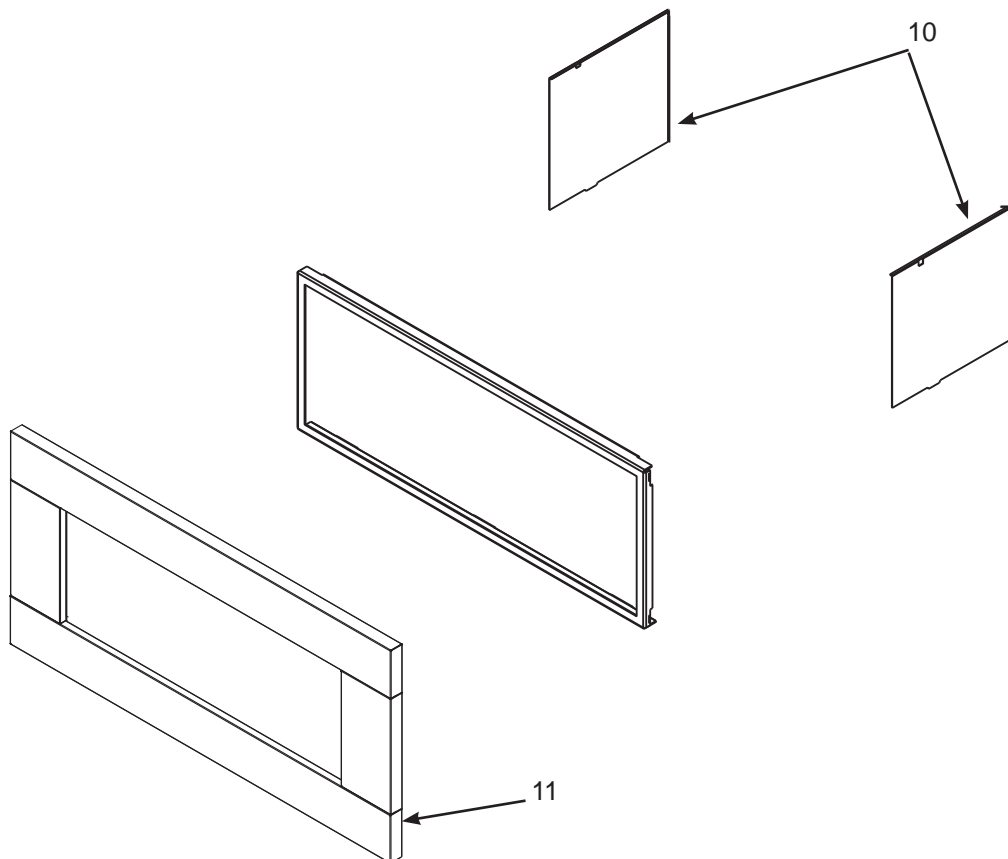
MAIN ASSEMBLY

Part #	Description		
1) 946-705	Power Vent Kit	904-658	Inlet Gas Flex Line SS
		430-011	Flue Collar Gasket
3) 586-070	Bottom Cover NG / LP	586-047F	Relief plate door
		586-048	Plate Relief Gasket
4) 586-525	Burner Assembly -NG	586-039	Valve Tray Gasket
586-530	Burner Assembly-LP	430-011	Inner Flue Collar Gasket
6) 586-574E/P	Valve Assembly -NG	586-017F	Flue Restrictor Plate
586-576E/P	Valve Assembly-LP	586-016F	Gas line cover
		586-068	Top nailing strip
7) 911-006	Pilot Assy - 886 - S.I.T. - NG	596-045F	Side nailing strip
911-007	Pilot Assy - 886 - S.I.T. - LP	596 072F	Bottom nailing strip
8) 904-593	Orifice # 40 (NG)	940-361/P	Flush Glass
904-345	Orifice # 53 (LP)	586-029	Flush Glass Frame (shown on next page)
9) 948-484	Slide Hinge		
911-012	Ignition Board (DBC)	918-949	Manual



ACCESSORIES

Part #	Description
10) 586-907	Reflective Stainless Steel Inner Panels
586-908	Black Enamel Inner Panels
11) 586-914	Faceplate Black
586-916	Faceplate Sunset Bronze
586-917	Faceplate Brushed Stainless
946-671	Cobalt Blue Glass Crystals
946-672	Natural River Pebbles
946-673	White River Pebbles
946-674	Ceramic Spa Stones
946-706	BX Cable- 20ft
946-707	BX Cable- 60ft
946-700	GT Proflame Remote Control
946-701	GTM Proflame Remote Control
946-702	GTMF Proflame Remote Control





Regency® Fireplace Products are designed with reliability and simplicity in mind. In addition, our internal Quality Assurance Team carefully inspects each unit thoroughly before it leaves our facility. FPI Fireplace Products International Ltd. is pleased to extend this limited lifetime warranty to the original purchaser of a Regency® Product. This warranty is not transferable.

The Warranty: Limited Lifetime

The combustion chamber, heat exchanger, burner tubes/pans, logs, glass crystals, ceramic spa stones, pebbles, brick panels and gold plating (against defective manufacture only) are covered under the Limited Lifetime Warranty for five (5) years for parts and subsidized labour* and parts only thereafter.

Glass is covered for lifetime against thermal breakage only, parts and subsidized labour* for five (5) years and parts only thereafter from date of purchase.

External casting, surrounds and grills are covered against cracks and warps resulting from manufacturer defects, parts and subsidized labour* for three (3) years from the date of purchase and parts only thereafter.

Special Finishes - One year on stainless steel panels, nickel overlays, nickel faceplates, brushed nickel and antique copper full screens and doors. You can expect some changes in color as the product "ages" with constant heating and cooling. Regency warranties the product for any manufacturing defects on the original product. However, the manufacturers warranty does not cover changing colors and marks, ie. finger prints, etc applied after the purchase of the product. Damage from the use of abrasive cleaners is not covered by warranty.

Electrical and mechanical components such as blowers, switches, wiring, thermosdiscs, Regency® remote controls, spill switches, thermopiles, thermocouples, pilot assembly components, and gas valves are covered for two years parts and one year subsidized labour* from the date of purchase. Blowers and valves replaced under warranty are considered repairs and continue as if new with appliance. ie. twelve (12) months from original purchase date of appliance with a minimum of three (3) months coverage from date of replacement.

Regency venting components are covered parts and subsidized labour* for three (3) years from date of purchase.

Simpson Dura-Vent venting components (Direct Vent units) are covered by Simpson Dura-Vent Inc. warranty.

Repair/replacement parts purchased by the consumer from Regency® after the original coverage has expired on the unit will carry a 90 day warranty, valid with a receipt only. Any item shown to be defective will be repaired or replaced at our discretion. No labour coverage is included with these parts.

Conditions:

Any part or parts of this unit which in our judgement show evidence of such defects will be repaired or replaced at Regency's option, through an accredited distributor or agent provided that the defective part be returned to the distributor or agent **Transportation Prepaid**, if requested.

Porcelain/Enamel - Absolute perfection is either guaranteed nor commercially possible. Any chips must be reported and inspected by an authorized dealer within three days of installation. Reported damage after this time will be subject to rejection.

It is the general practice of Regency to charge for larger, higher priced replacement parts and issue credit once the replaced component has been returned to Regency® and evaluated for manufacturer defect.

The authorized selling dealer is responsible for all in-field service work carried out on your Regency® product. Regency® will not be liable for results or costs of workmanship from unauthorized service persons or dealers.

At all times Regency® reserves the right to inspect product in the field which is claimed to be defective.

All claims must be submitted to Regency® by authorized selling dealers. It is essential that all submitted claims provide all of the necessary information including customer name, purchase date, serial #, type of unit, problem, and part or parts requested, without this information the warranty will be invalid.

Exclusions:

This limited Lifetime Warranty does not extend to or include paint, door or glass gasketing or trim.

At no time will Regency® be liable for any consequential damages which exceed the purchase price of the unit. Regency® has no obligation to enhance or modify any unit once manufactured. ie. as products evolve, field modifications or upgrades will not be performed.

Regency® will not be liable for travel costs for service work.

Installation and environmental problems are not the responsibility of the manufacturer and therefore are not covered under the terms of this warranty policy.

Embers, rockwool, gaskets, door handles and paint are not covered under the terms of this warranty policy.

Any unit which shows signs of neglect or misuse is not covered under the terms of this warranty policy.

The warranty will not extend to any part which has been tampered with or altered in any way, or in our judgment has been subject to misuse, improper installation, negligence or accident, spillage or downdrafts caused by environmental or geographical conditions, inadequate ventilation, excessive offsets, negative air pressure caused by mechanical systems such as furnaces, fans, clothes dryer, etc.

Freight damage to stoves and replacement parts is not covered by warranty and is subject to a claim against the freight carrier by the dealer.

Regency® will not be liable for acts of God, or acts of terrorism, which cause malfunction of the appliance.

Performance problems due to operator error will not be covered by this warranty policy.

Products made or provided by other manufacturers and used in conjunction with the operation of this appliance without prior authorization from Regency®, may nullify your warranty on this product.

Any alteration to the unit which causes sooting or carboning that results in damage to the interior / exterior facia is not the responsibility of Regency®.

* Subsidy according to job scale as predetermined by FPI.

Register your Regency® warranty online www.regency-fire.com

Reasons to register your product online today!

- View and modify a list of all your registered products.
- Request automatic email notification of new product updates.
- Stay informed about the current promotions, events, and special offers on related products.

Installer: Please complete the following information

Dealer Name & Address: _____

Installer: _____

Phone #: _____

Date Installed: _____

Serial No.: _____