



Regency Plateau® PTO50 Outdoor Decorative Gas Appliance

Owners & Installation Manual

Models: PTO50-NG11 / PTO50-LP11



www.regency-fire.com

⚠️ WARNING:

If the information in these instructions are not followed exactly, a fire or explosion may result causing property damage, personal injury or loss of life.

⚠️ WARNING: For Outdoor Use Only.

Installation and service must be performed by a qualified installer, service agency, or the gas supplier.

⚠️ WARNING:

Do not store or use gasoline, or other flammable vapors and liquids, in the vicinity of this or any other appliance.
An LP-cylinder not connected for use shall not be stored in the vicinity of this or any other appliance.

⚠️ DANGER - FIRE OR EXPLOSION HAZARD

If you smell gas:

- Shut off gas to the appliance.
- Extinguish any open flame.
- If odour continues, leave the area immediately.
- After leaving the area, call your gas supplier or fire department.

Failure to follow these instructions could result in fire or explosion, which could cause property damage, personal injury, or death.

Tested by:



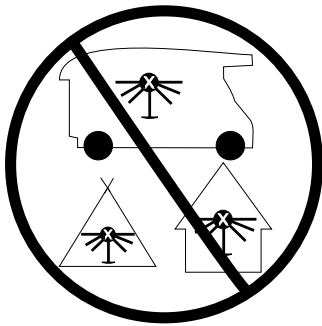
Installer: Leave this manual with the appliance.
Consumer: Retain this manual for future reference.

To the New Owner:

Congratulations!

You are the owner of a state-of-the-art Outdoor Decorative Gas Appliance by Regency®. The Regency Plateau® PTO50 Outdoor decorative gas appliance has been designed to provide you with all the warmth and charm of a fire at the flick of a switch. The Regency Plateau® PTO50 Outdoor Decorative Gas Appliance has been approved by Warnock Hersey/Intertek for both safety and efficiency. As it also bears our own mark, it promises to provide you with economy, comfort and security for many trouble free years to follow. Please take a moment now to acquaint yourself with these instructions and the many features of your Regency® decorative gas appliance.

DANGER

**CARBON MONOXIDE HAZARD**

This appliance can produce carbon monoxide which has no odor.

Using it in an enclosed space can kill you.

Never use this appliance in an enclosed space such as a camper, tent, car or home.

MONOXYDE DE CARBONE

Cet appareil peut produire du monoxyde de carbone, un gaz inodore.

L'utilisation de cet appareil dans des espaces clos peut entraîner la mort.

Ne jamais utiliser cet appareil dans un espace clos comme un véhicule de camping, une tente, une automobile ou une maison.

919-780a



WARNING!



**HOT GLASS WILL
CAUSE BURNS**

**DO NOT TOUCH GLASS
UNTIL COOLED**

**NEVER ALLOW CHILDREN
TO TOUCH GLASS**

 WARNING:

Improper installation, adjustment, alteration, service or maintenance can cause injury or property damage. Read the installation, operating and maintenance instructions thoroughly before installing or servicing this equipment.



We recommend that our products be installed and serviced by professionals who are certified in the U.S. by the National Fireplace Institute® (NFI) or in Canada by Wood Energy Technical Training (WETT).



Copy of Safety Decal4
 PTO50 Decal Location.....4

dimensions

PTO50 Unit Dimensions5
 PTO80 (PTO50 joined with PTO30 joined end to end) ..6
 PTO100 (2 x PTO50 joined end to end).....7

installation

Gas Checklist8
 Important Message10
 Before You Start.....10
 General Safety Information10
 Installation Checklist.....11
 Locating Your Outdoor Decorative Gas Appliance11
 Important Information for Outdoor Fireplace Installations12
 Minimum Clearances to Combustibles13
 Inner Framing Dimensions (required).....14
 Enclosure Vent Installation16
 Finishing.....17
 Optional Finishing Trim17
 System Data18
 High Elevation.....18
 Gas Line Installation18
 Pilot Adjustment.....18
 Gas Pipe Pressure Testing18
 886 S.I.T. Valve Description.....18
 Aeration Adjustment.....18

NOTE: PTO100 = Two PTO50s joined end to end.
 PTO80 = PTO50 joined with PTO30 end to end.

Joining Two Units End to End19
 Conversion from NG to LP.....20
 Wall Switch and Battery Installation.....22
 Wall Switch and Battery Installation for Two Units.....23
 Optional Hardwire Kit Installation24
 AC Adaptor Installation27
 PTO50 Drain Installation (Recommended).....28
 PTO50 Wiring Diagram29
 PTO100 Wiring Diagram.....29
 Glass Crystal/Basalt Volcanic Stones Installation30
 Optional Log Set Installation31
 Optional Glass Surround/Windshield Installation PTO50.....35
 Optional Glass Surround/Windshield Installation PTO10036
 Assembly Instructions for a Steel Stud - Table Framing Kit for PTO5038
 Assembly Instructions for a Steel Stud - Table Framing Kit for PTO10040

operating instructions

Operating Instructions43
 Lighting Procedure43
 Shutdown Procedure43
 First Fire43
 Copy of Lighting Plate Instructions44
 Maintenance Instructions45
 Valve Assembly Replacement46
 Gas Maintenance.....47

parts

Parts48

warranty

Warranty52
 Recycling58

4 | safety decal

This is a copy of the label that accompanies each PTO50 Outdoor decorative gas appliance. We have printed a copy of the contents here for your review.

NOTE: Regency® units are constantly being improved. Check the label on the unit and if there is a difference, the label on the unit is the correct one.

For the State of Massachusetts, installation and repair must be done by a plumber or gas fitter licensed in the Commonwealth of Massachusetts.

For the State of Massachusetts, flexible connectors shall not exceed 36 inches in length.

For the State of Massachusetts, the appliances individual manual shut-off must be a t-handle type valve.

PTO50 DECAL LOCATION

- 1) Remove pilot cover on non pilot assembly side.
- 2) Serial # decal will be affixed to a black metal chain as per below.



COPY OF SAFETY DECAL

CH4001172 Intertek
Listed: OUTDOOR DECORATIVE GAS APPLIANCE / APPAREIL D'EXTÉRIEUR DÉCORATIF AU GAZ
Certified for/Certifié : ANSI Z221.197-2017 - CSA 2.41-2017/CSA 2.17-2017
Refer to Intertek's Directory of Building Products for detailed information.
 Pour plus de détails, se reporter au Répertoire des produits de construction de Intertek.

556 Serial No./ No de série
556 Duplicate S/N

NATURAL GAS: Model PTO50-NG11
 Maximum supply pressure 14" WC/C.E. (3.49 kPa)
 Minimum supply pressure 5" WC/C.E. (1.25 kPa)
 Manifold pressure high 3.5" WC/C.E. (0.87 kPa)
 Manifold pressure low 1.6" WC/C.E. (0.40 kPa)
 Orifice size #11 DMS
 Maximum input 64,000 Btu/h (18.76 kW)
 Minimum input 42,000 Btu/h (12.31 kW)
 Altitude 0-4500 ft/pl (0-1372 m)

APPAREIL FONCTIONNANT AU GAZ NATUREL
 Modèle PTO50-NG 11
 Pression d'alimentation maximale 14" WC/C.E. (3.49 kPa)
 Pression d'alimentation minimale 5" WC/C.E. (1.25 kPa)
 Pression manifold élevée 3.5" WC/C.E. (0.87 kPa)
 Pression manifold basse 1.6" WC/C.E. (0.40 kPa)
 Taille de l'orifice #11 DMS
 Débit calorifique maximal 64 000 Btu/h (18.76 kW)
 Débit calorifique minimal 42 000 Btu/h (12.31 kW)
 Altitude 0-4500 ft/pl (0-1372 m)

PROANE GAS: Model PTO50-LP11
 Maximum supply pressure 14" WC/C.E. (3.49 kPa)
 Minimum supply pressure 11" WC/C.E. (2.74 kPa)
 Manifold pressure high 10" WC/C.E. (2.49 kPa)
 Manifold pressure low 6.4" WC/C.E. (1.59 kPa)
 Orifice size #42 DMS
 Maximum input 62,000 Btu/h (18.17 kW)
 Minimum input 49,000 Btu/h (14.36 kW)
 Altitude 0-4500 ft/pl (0-1372 m)

APPAREIL FONCTIONNANT AU GAZ PROPANE
 Modèle PTO50-LP11
 Pression d'alimentation maximale 14" WC/C.E. (3.49 kPa)
 Pression d'alimentation minimale 11" WC/C.E. (2.74 kPa)
 Pression manifold élevée 10" WC/C.E. (2.49 kPa)
 Pression manifold basse 6.4" WC/C.E. (1.59 kPa)
 Taille de l'orifice #42 DMS
 Débit calorifique maximal 62 000 Btu/h (18.17 kW)
 Débit calorifique minimal 49 000 Btu/h (14.36 kW)
 Altitude 0-4500 ft/pl (0-1372 m)

DO NOT REMOVE THIS LABEL / NE PAS ENLEVER CETTE ÉTIQUETTE
 Minimum Clearances to Combustibles /
 Dégagements minimaux aux matériaux combustibles

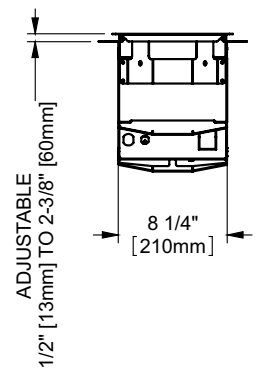
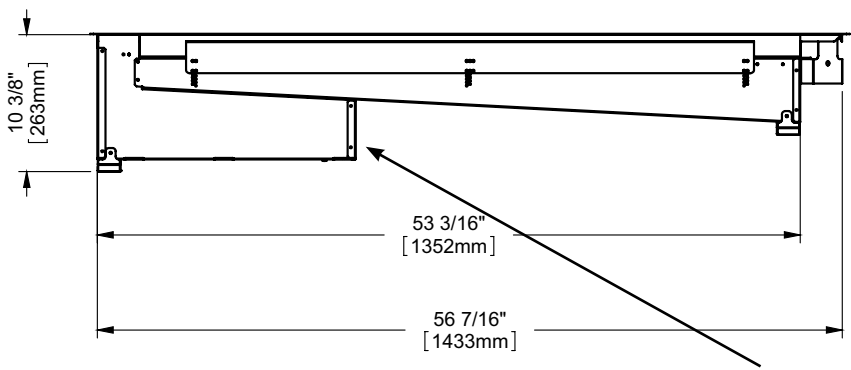
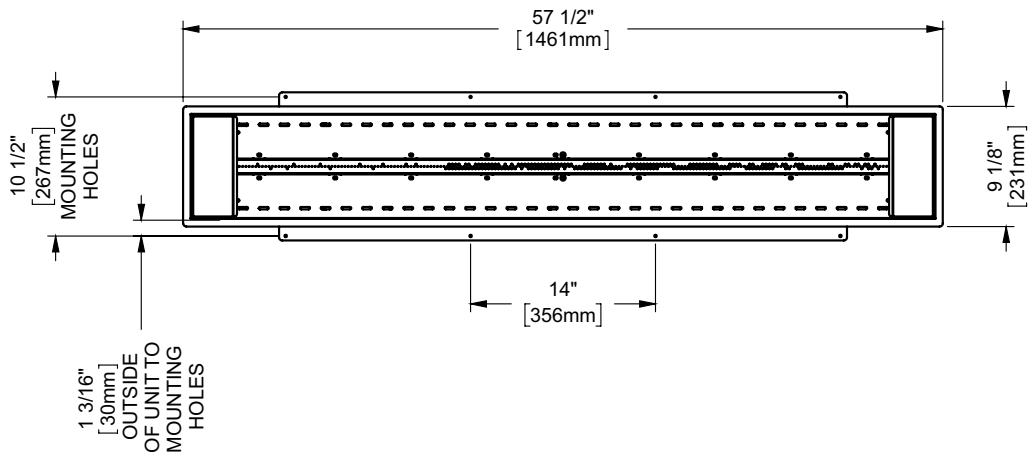
Made in Canada/ Fabriqué au Canada

The installation must conform with local codes or, in the absence of local codes, with CAN/CSA-B149.1, Natural Gas and Propane Installation Code or ANSI Z223.1/NFPA 54. The appliance, when installed, must be electrically grounded in accordance with local codes or, in the absence of local codes, with the Canadian Electrical Code, CSA C22.1 or with the National Electrical Code, ANSI/NFPA 70. L'installation doit être conforme aux codes locaux ou, en l'absence de codes locaux, à la norme CAN/CSA-B149.1, gaz naturel et du propane ou du Code d'installation au ANSI Z223.1/NFPA 54. L'appareil, une fois installé, doit être connecté électriquement à la terre conformément aux codes locaux ou, en l'absence de codes locaux, au Code canadien de l'électricité, CSA C22.1 ou au National Electrical Code, ANSI/NFPA 70. Cet appareil est à utiliser uniquement avec le type de gaz indiqué sur la plaque signalétique. Voir le manuel d'utilisation pour plus de détails. Electrical supply: 6VDC or 115V 60Hz, less than 1A/Alimentation électrique: 6VDC ou 115V 60Hz, inférieure à 1A. For Use Only with Barrier (Part # 647-932) Utiliser uniquement avec l'écran (n° 647-932)

FOR OUTDOOR USE ONLY / POUR USAGE EXTÉRIEUR SEULEMENT
IF STORED INDOORS, DETACH AND LEAVE CYLINDER OUTDOORS / SI VOUS LE GARDER À L'INTÉRIEUR, DÉTACHER LE CYLINDRE ET LAISSER À L'EXTÉRIEUR

FPI Fireplace Products International Ltd.
 6988 Venture St.
 Delta, BC, Canada V4G 1H4
 Delta, BC, Canada V4G 1H4
 NOT FOR USE WITH SOLID FUELS.
 NE PAS UTILISER AVEC DES COMBUSTIBLES SOLIDES.

PTO50 UNIT DIMENSIONS

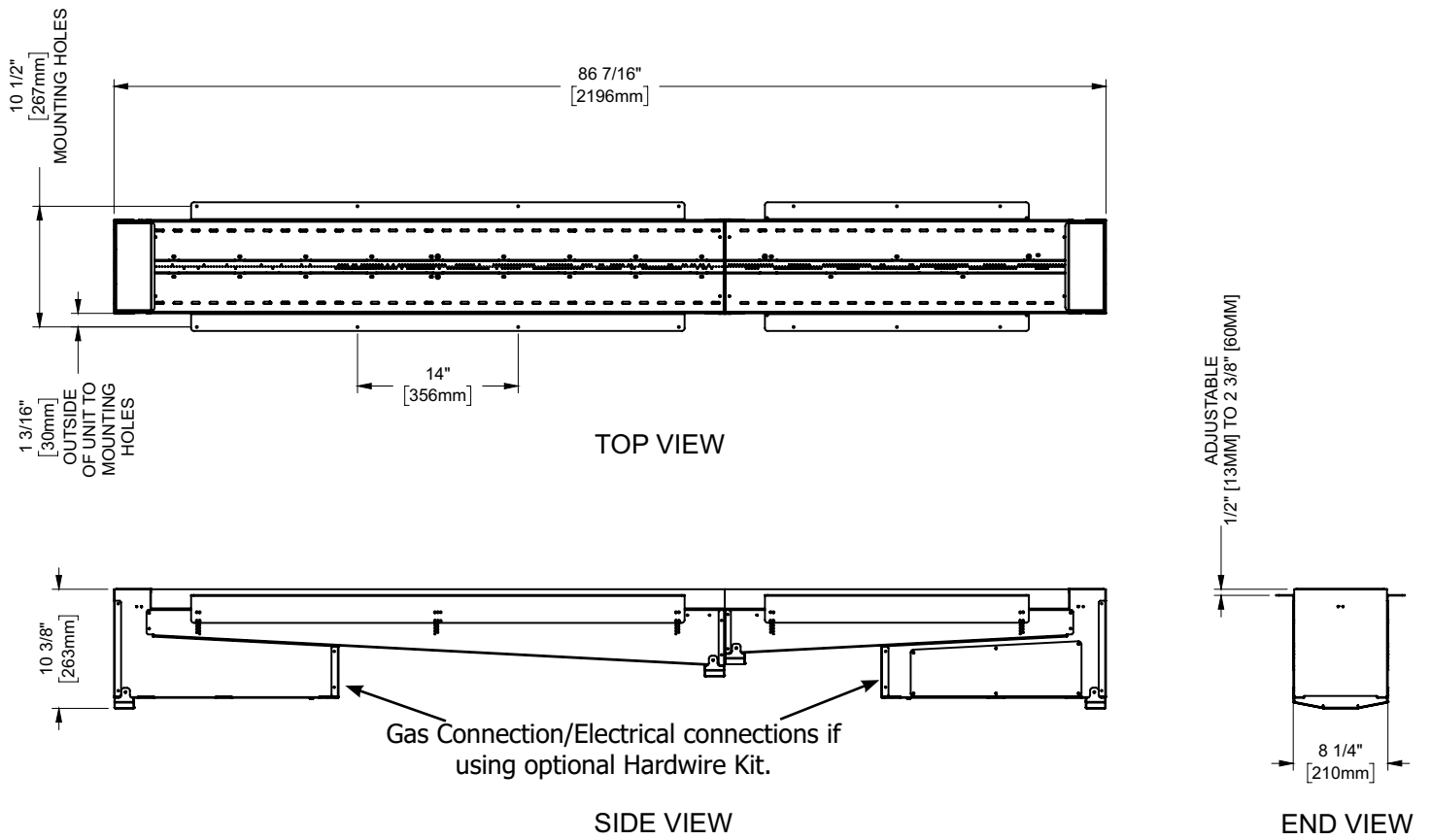


Gas Connection/Electrical connections if using optional Hardwire Kit.

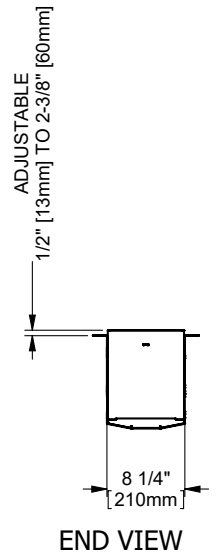
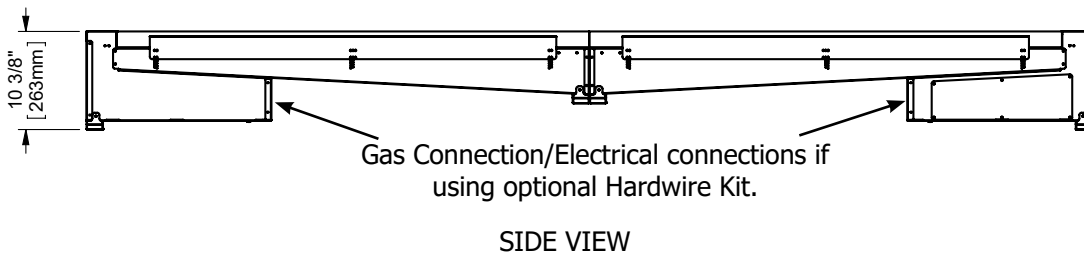
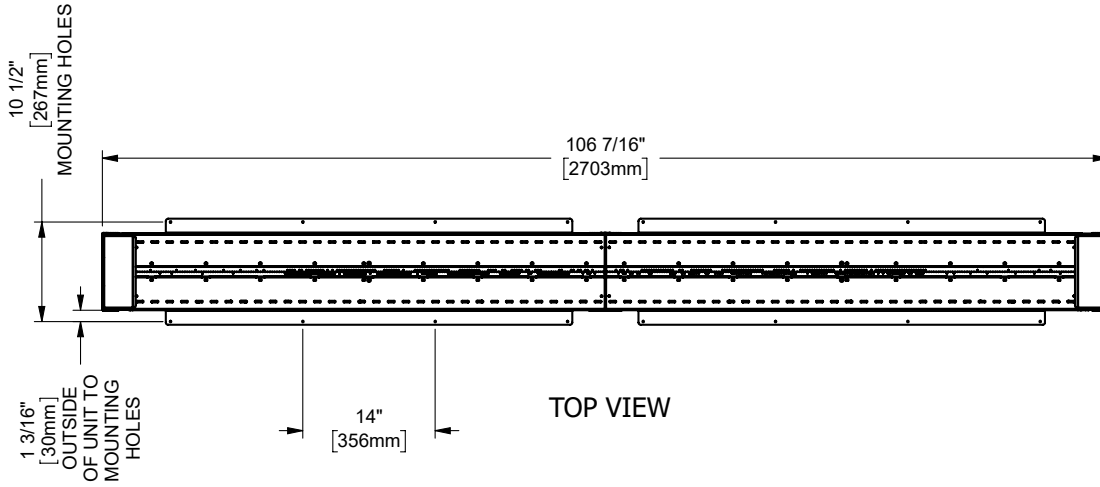
ALL PICTURES / DIAGRAMS SHOWN THROUGHOUT THIS MANUAL ARE FOR ILLUSTRATION PURPOSES ONLY. ACTUAL PRODUCT MAY VARY DUE TO PRODUCT ENHANCEMENTS.

6 | dimensions

PTO80 (PTO50 JOINED WITH PTO30 JOINED END TO END)



PTO100 (2 X PTO50 JOINED END TO END)



GAS INSTALLATION CHECKLIST

This general checklist does not contain all pertinent installation details or specifics and does not supersede the guidelines in this manual. Your Regency dealer/installer should use it in conjunction with manual instructions. Please follow all local codes and jurisdictions in authority.

Customer: _____	Date Installed: _____	
Install Address: _____	Location of Fireplace: _____	
Serial No: _____	Installer: _____	
Model No: _____		
Site Requirements	YES	NO
If applicable, are the insulation, vapour barrier, and drywall present if installed on an outside wall or chase?		
Does the area have a solid continuous base to support the unit?		
Will the area accommodate the size of the appliance and all clearances?		
Are the gas and electrical roughed into the area where the unit is being installed?		
In City & Grandview series cool wall applications, is the chase enclosure sealed to prevent heat from escaping? All hot air from the unit must exit via the mandatory ventilation openings.		
In City & Grandview applications, Is the chase enclosure vented with the mandatory heat ventilation openings? See manual for details.		
If applicable, is the masonry/factory built fireplace in its original condition with no modifications?		
If applicable, have the hearth requirements been met?		
Unit Setup	YES	NO
If applicable, are the standoffs and top nailing flange extensions installed and at the correct depth to accommodate finishing material? See manual for details.		
If applicable, is the fireplace level and secured, meeting framing clearances? See manual for details.		
If applicable, is the unit converted to top or rear vent per manual instructions, and the insulation discarded?		
Venting	YES	NO
Are the venting components approved for the unit installed?		
Does the venting configuration comply with venting diagrams?		
Is venting installed and secured, and are clearances for the vent pipe and termination cap maintained?		
If applicable, was a 1/4" rise maintained for every foot of horizontal run?		
Was the termination installed and sealed?		
Is the direct vent termination at the highest point in the vent assembly?		
If applicable, are both chimney liners continuous from flue collars to termination?		
Electrical and Wiring	YES	NO
Is the appliance connected to the household's 110/120v per local codes? Check local codes for receptacle placement.		
Were the connections in the fireplace tested with a circuit tester?		
Is the appliance properly grounded?		
If applicable, is the supplied electrical/gang box affixed to the wall to facilitate the mounting of the receiver/battery box ?		
If applicable, is all electrical, Ethernet, HDMI, networking, optical, wire/cables, conduits, etc. run through the wood or steel stud work as wires/cables of any kind cannot be exposed directly above or over the fireplace?		
Gas	YES	NO
Does the supply pressure meet the requirements shown on the rating plate?		
Was a conversion performed?		
Was a leak check performed and manifold pressures verified?		

Is the shut-off valve installed and easily accessible to the customer?		
Finishing	YES	NO
If applicable, is only noncombustible material installed in the noncombustible areas?		
Do clearances meet installation and manual requirements?		
Do the mantels and/or projections comply with the installation manual?		
If applicable, was the solid fuel fireplace warning plate installed?		
Is the chase enclosure fully open the full width, height and depth above the fireplace as per the requirements noted in the framing section?		
Appliance Media Setup	YES	NO
Do commands from the remote or wall switch light the pilot and main burner?		
Are the burner media/log set, glass door, and screen installed per instructions in the manual?		
Was the air shutter on the proper setting after running the unit for 20 minutes?		
If applicable, were the surround and trims installed according to the manual?		
Was the operation of the fan, lights (if installed), and flame modulation checked?		
Customer Tutorial and Presentation	YES	NO
Is the customer confident operating the new gas appliance and aware of all the features on the remote?		
Confirm that the rating and lighting plates are attached to the appliance. Do not remove.		
Was the customer informed of the location of the rating and lighting plates?		
Was accessing unit controls in a power outage explained to the customer?		
Are the model and serial numbers and the date of installation of the unit written in the manual and on the checklist?		
Were the warranty and unit registration reviewed with the customer?		
Comments:		

IMPORTANT MESSAGE

SAVE THESE INSTRUCTIONS

The PTO50 Outdoor Decorative Gas Appliance must be installed in accordance with these instructions. Carefully read all the instructions in this manual first. Consult the "authority having jurisdiction" to determine the need for a permit prior to starting the installation. It is the responsibility of the installer to ensure this decorative gas appliance is installed in compliance with manufacturers instructions and all applicable codes.

BEFORE YOU START

Safe installation and operation of this appliance requires common sense, however, we are required by the Canadian Safety Standards and ANSI Standards to make you aware of the following:

INSTALLATION AND REPAIR SHOULD BE DONE BY AN AUTHORIZED SERVICE PERSON. THE APPLIANCE SHOULD BE INSPECTED BEFORE USE AND AT LEAST ANNUALLY BY A PROFESSIONAL SERVICE PERSON. MORE FREQUENT CLEANING MAY BE REQUIRED DUE TO EXCESSIVE LINT FROM CARPETING, BEDDING MATERIAL, ETC. IT IS IMPERATIVE THAT CONTROL COMPARTMENTS, BURNERS AND CIRCULATING AIR PASSAGEWAYS OF THE APPLIANCE BE KEPT CLEAN.

ANY GUARD OR OTHER PROTECTIVE DEVICE REMOVED FOR SERVICING THE APPLIANCE MUST BE REPLACED PRIOR TO OPERATING THE APPLIANCE

WARNING: FAILURE TO INSTALL THIS APPLIANCE CORRECTLY WILL VOID YOUR WARRANTY AND MAY CAUSE A SERIOUS FIRE.

CHILDREN AND ADULTS SHOULD BE ALERTED TO THE HAZARDS OF HIGH SURFACE TEMPERATURES, ESPECIALLY THE DECORATIVE GAS APPLIANCE GLASS AND FACEPLATE, AND SHOULD STAY AWAY TO AVOID BURNS OR CLOTHING IGNITION.

THIS APPLIANCE SHALL BE USED ONLY OUTDOORS IN A WELL-VENTILATED SPACE AND SHALL NOT BE USED IN A BUILDING, GARAGE OR ANY OTHER ENCLOSED AREA.

DO NOT USE THIS APPLIANCE IF ANY PART HAS BEEN UNDER WATER. IMMEDIATELY CALL A QUALIFIED SERVICE TECHNICIAN TO INSPECT THE APPLIANCE AND TO REPLACE ANY PART OF THE CONTROL SYSTEM AND ANY GAS CONTROL WHICH HAS BEEN UNDER WATER.

CLOTHING OR OTHER FLAMMABLE MATERIAL SHOULD NOT BE PLACED ON OR NEAR THE APPLIANCE.

SOLID FUELS SHALL NOT BE BURNED IN THIS APPLIANCE.

YOUNG CHILDREN SHOULD BE CAREFULLY SUPERVISED WHEN THEY ARE IN THE SAME AREA AS THE APPLIANCE. TODDLERS, YOUNG CHILDREN AND OTHERS MAY BE SUSCEPTIBLE TO ACCIDENTAL CONTACT BURNS. A PHYSICAL BARRIERS IS RECOMMENDED IF THERE ARE AT RISK INDIVIDUAL IN THE HOUSE. TO RESTRICT ACCESS TO A DECORATIVE GAS APPLIANCE OR STOVE, INSTALL AN ADJUSTABLE SAFETY GATE TO KEEP TODDLERS, YOUNG CHILDREN AND OTHER AT RISK INDIVIDUALS OUT OF THE ROOM AND AWAY FROM HOT SURFACES.

DO NOT SIT OR STAND ON DECORATIVE GAS APPLIANCE.

GENERAL SAFETY INFORMATION

1. The installation must conform with local codes or, in the absence of local codes, with CAN/CSA-B149.1, Natural Gas and Propane Installation Code or CAN/CSA-B149.2, Propane installation code the Natural Gas Fuel Code, ANSI Z223.1/ NFPA 54.
2. See general construction and assembly instructions. The appliance should be enclosed.
3. Inspect the burner before each use of the appliance for blockage and any signs of deterioration

4. To prevent injury, do not allow anyone who is unfamiliar with the operation to use the decorative gas appliance.
5. Wear gloves and safety glasses for protection while doing required maintenance.
6. Maximum gas inlet pressure = 1/2 psig.
7. Under no circumstances should this appliance be modified. Parts that have to be removed for servicing should be replaced prior to operating this appliance.
8. Installation and any repairs to this appliance should be done by a qualified service person. A professional service person should be called to inspect this appliance annually. Make it a practice to have all of your gas appliances checked annually.
9. Under no circumstances should any solid fuels (wood, paper, cardboard, coal, etc.) be burned in this appliance.
10. The appliance and its individual shutoff valve must be disconnected from the gas supply piping system during any pressure testing of that system at test pressures in excess of 1/2 psi (3.5kPa).
11. The appliance area must be kept clear and free of combustible materials, gasoline, and other flammable vapors and liquids.

It is highly recommended to protect the interior from moisture (rain, snow). Cover the enclosure opening when not in use. This decorative gas appliance is only for use with the type of gas indicated on the rating plate. This decorative gas appliance is not convertible for use with other gases, unless a certified kit is used.

12. When not using appliance for extended periods of time - turn off gas supply.
13. Do not operate this appliance with a remote control. Only use the ON/OFF switch supplied with this appliance. The ON/OFF switch must be placed within line of sight of the appliance.

 **WARNING: Cancer and Reproductive Harm**
www.P65Warnings.ca.gov

919-874

INSTALLATION CHECKLIST

If installing a PTO100 or a PTO80, you must repeat steps 2 - 5 for both units.

1. Locate appliance:
 - a) Refer to "Locating Your Outdoor decorative gas appliance" section
 - b) Clearances to Combustibles (Refer to "Clearances" section)
 - c) Framing & Finishing Requirements (Refer to "Framing & Finishing" section)
2. Drain Installation (recommended).
3. Install ON/OFF switch - ensure it is in the OFF position.
4. Make gas connections - test for leaks.
5. Install 4 "AA" batteries into each battery pack. This unit will not operate without AA batteries in place. An optional hard wire kit can also be installed which eliminates the need for the 4 AA batteries. Batteries would only be used as back up if power was lost.
6. Install standard and optional features. Refer to the following sections:
 - a. Glass Crystals
 - b. Volcanic Stone Installation (optional)
 - c. Log Installation (optional)
 - d. Glass Surround Installation (optional)
 - e. Hardwire kit (optional)
 - f. LP conversion kit (optional)
 - g. Burner cover (optional)
 - h. Inner stainless trim (optional)

7. Final check.

This includes:

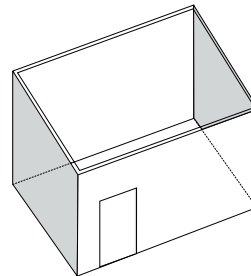
1. Clocking the appliance to ensure the correct firing rate (rate noted on label), after burning appliance for 15 minutes.
2. If required, adjusting the primary air to ensure that the flame does not carbon. First allow the unit to burn for 15-20 min. to stabilize.

CAUTION: Any alteration to the product that causes sooting or carboning that results in damage is not the responsibility of the manufacturer.

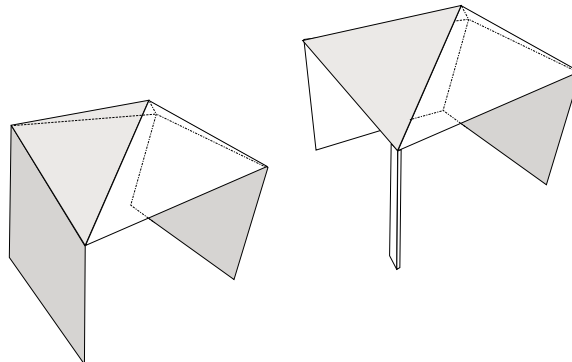
LOCATING YOUR OUTDOOR DECORATIVE GAS APPLIANCE

1. When selecting a location for your decorative gas appliance, ensure that the clearances are met.
2. This appliance must be installed in an open-air situation with natural ventilation, without stagnant areas, where gas leakage and products of combustion are rapidly dispersed by wind and natural convection.
3. Certain materials or items, when placed under or near the appliance, will be subjected to radiant heat and could become damaged.
4. Typically an outdoor space is not enclosed but, any enclosure in which the appliance is used shall comply with one of the following:

An enclosure with walls on all sides, but at least one permanent opening at ground level and no overhead cover.



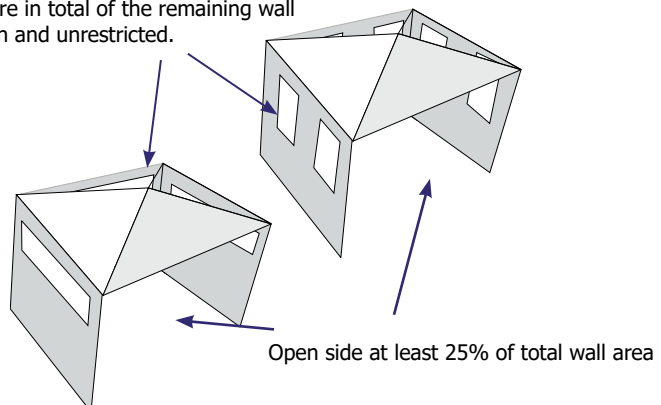
Within a partial enclosure that includes an overhead cover and no more than two walls.



Within a partial enclosure that includes an overhead cover and more than two walls, the following shall apply:

- At least 25% of the total wall area is completely open, and
- At least 30% of the remaining wall area is open and unrestricted

30% or more in total of the remaining wall area is open and unrestricted.



Open side at least 25% of total wall area

***SEE IMPORTANT INSTALLATION NOTES NEXT PAGE**

IMPORTANT INFORMATION FOR OUTDOOR FIREPLACE INSTALLATIONS

- Never insulate around the body of the unit
- Excessive heat retention in the firebox will lead to component failure and fireplace malfunction
- Excessive heat retention will also increase the risk of fire inside the chase
- Heat retention can cause "Oil-canning" and damage the fireplace due to overheating
- Do not build up a wall of any type in front or to the sides of the appliance, higher than the firebox opening. This will create a pressure zone at the firebox and will prevent the unit from venting
- This is an outdoor appliance with a built-in drain. This drain should be installed and connected in all applications as per the instructions in this manual
- Inadequate drainage will cause rust and reduce the life of your appliance, this is not protected by warranty

COMPONENTS IN OUTDOOR APPLIANCES

- Outdoor units use the same consistent, reliable Electronic components used in most Regency "E" units
- Installed correctly, these components will be subjected to far lower temperatures than indoor units, which have been certified as safe from heat etc
- Working gas pressures are as critical in outdoor products as they are in indoor products, even more important in Electronic systems

COMMON MISCONCEPTIONS REGARDING OUTDOOR FIREPLACES

- There is a common misconception that being outdoors, an Outdoor Fireplace will function, regardless of circumstances,
- Outdoor fireplaces require the same amount of ventilation as indoor units, often more
- Outdoor units require adequate ventilation to the atmosphere, which in turn provides ongoing circulatory combustion air
- This type of Appliance Vents.
- All Outdoor Fireplace Products have the same need for Air/Oxygen, and an ability to Vent
- Even though the appliance is outdoors, this doesn't mean it is getting adequate air
- Requirements are not specific to Regency units
- Read and follow critical location guidelines in this manual

UNDERSTANDING OUTDOOR APPLIANCE REQUIREMENTS

- Don't overlook the obvious
- Widen your margin for error
- Combustion always requires the same three elements
- Only the quantities and volumes change



IMPORTANT THINGS TO REMEMBER

- Correct Working Gas pressure is critical on "E" units
- Wherever possible avoid locating on a flat wall in a tight corner
- Floor space doesn't count as "open area"
- Install to the manual specs for framing and **do not insulate** unit or enclosure
- Framing enclosure must at least meet minimum dimensional specs as per the installation manual
- Only Regency approved media should be used in the firebox (i.e. stones/glass)
- Be aware of pressure zones due to location (i.e. facing the ocean)
- Open walls and doorways to outside air are beneficial to the performance of an outdoor appliance
- Fixed roof/ceiling open areas count towards the total open area overall requirement
- Screens create 40% or more air restriction
- Screened areas are restrictions and reduce open air space, calculate area based on a **closed** screen
- The biggest problems are created by lack of airflow for the appliance
- Outdoor fireplaces are often built-in systems and incorrect installation can result in high repair costs
- Units must not be modified or altered in any way

ANTICIPATED ISSUES CAUSED BY INCORRECT LOCATION OR INSTALLATION

- Unit shutting down intermittently
- Overheating of components leading to failure
- Lifting flame
- Poor flame package (i.e. all to one side, lazy flame)
- Failure to ignite
- Excess carbon
- Safety issues and concerns created from the byproducts of combustion

OUTDOOR APPLIANCES REQUIRE VENTING

- Outdoor appliances must be installed in: open-air situations with natural ventilation and without stagnant areas
- Any gas leakage and products of combustion need to be rapidly dispersed by wind and natural convection
- Typically outdoor spaces are not enclosed, however, failure to adhere to installation guidelines, may cause the outdoor fireplace to be affected by wind or air pressure inside the enclosure
- **ANY** enclosure in which the appliance is used shall comply with one of the diagrams on the previous page.

OUTDOOR APPLIANCE INSTALLATION SUMMARY

- All walls + overhead cover = 100% total area
- One of four walls or full overhead area must be totally open, plus—one of remaining walls must have a fixed opening
- All outdoor fireplaces/fire tables require total **natural** ventilation of 50% open space

MINIMUM CLEARANCES TO COMBUSTIBLES

The clearances listed below are minimum distances unless otherwise stated.

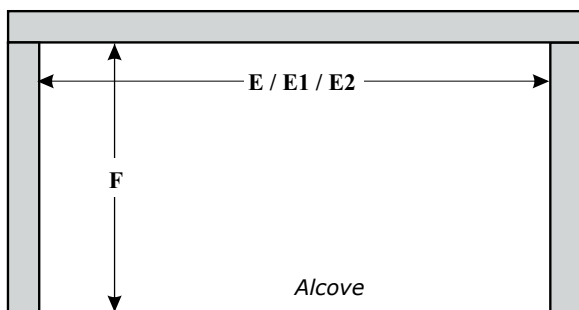
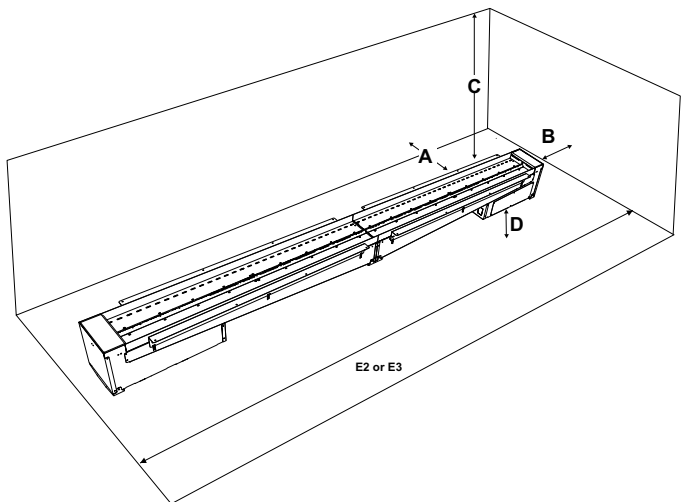
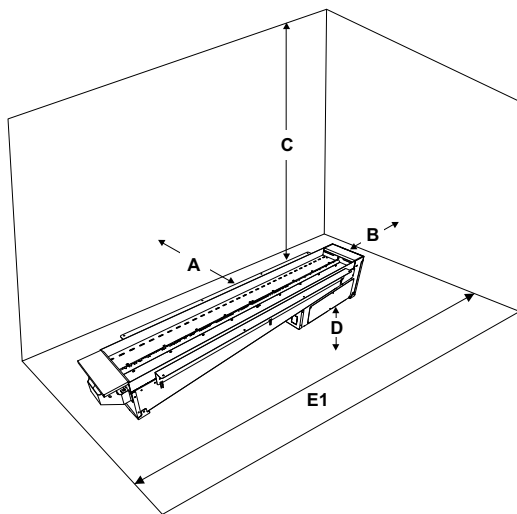
A major cause of fires is failure to maintain required clearances (air space) to combustible materials. It is of the greatest importance that this decorative gas appliance be installed only in accordance with these instructions.

Caution Requirements
 The top, back and sides of the decorative gas appliance are defined by standoffs. The metal ends of the standoff may **NOT** be recessed into combustible construction.

WARNING
Fire hazard is an extreme risk if these clearances (air space) to combustible materials are not adhered to. It is of greatest importance that this decorative gas appliance be installed only in accordance with these instructions.

PTO50, PTO80 or PTO100 Clearance Requirements

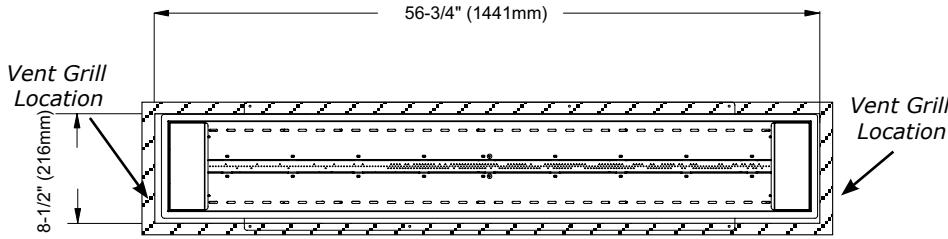
Clearances	Dimension	Measured From:
A: Back wall	18" (457mm)	Burner to back wall
B: Sidewall	17" (432mm)	Burner to sidewall
C: Ceiling	45" (1143mm)	Burner to Ceiling
D: Unit Base	1" (25mm)	Unit Base to Combustible
E1: Alcove Width E2: Alcove Width (PTO80) E3: Alcove Width (PTO100)	91" (2311mm) 121" (3074mm) 141" (3581mm)	Wall to Wall (Minimum)
F: Alcove Depth	60" (1524mm)	Front to Back Wall (Maximum)
Notes:	0"	No Hearth Required
Clearances shown are to both combustible/non combustible material.		



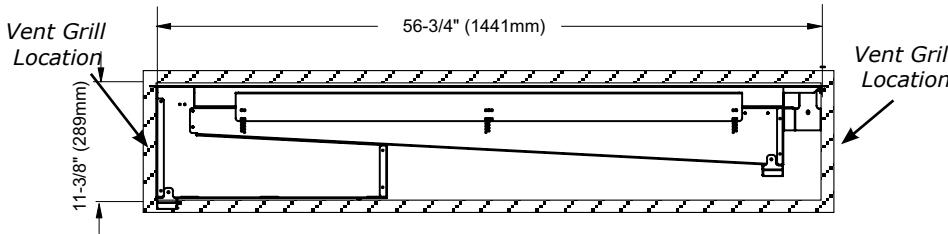
INNER FRAMING DIMENSIONS (REQUIRED)

NOTE:FRAMING MATERIAL NOT SUPPLIED

PTO50



TOP VIEW

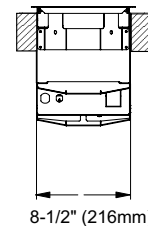


SIDE VIEW

NOTE: Framing materials must be non-combustible when used within 5" of the unit. Combustible framing materials may be used outside the 5" clearance range.
Note: The PTO30 non combustible clearance is 4", although when combining it with a PTO50 to make a PTO80 the clearance will be 5".

Finishing materials **MUST** be non-combustible.

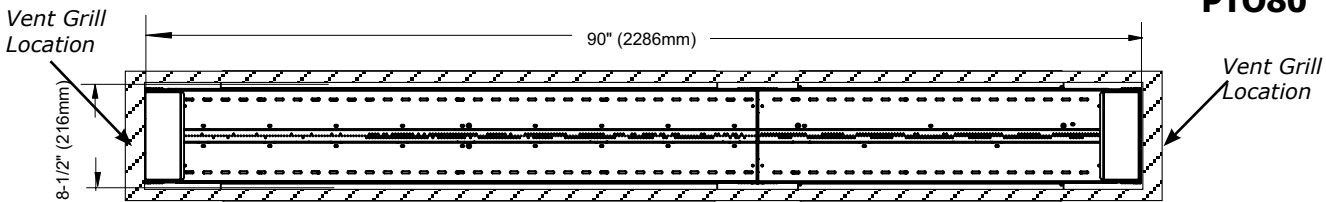
Consideration should be given to weather / elements when choosing framing materials (ie. treated lumber, steel stud).



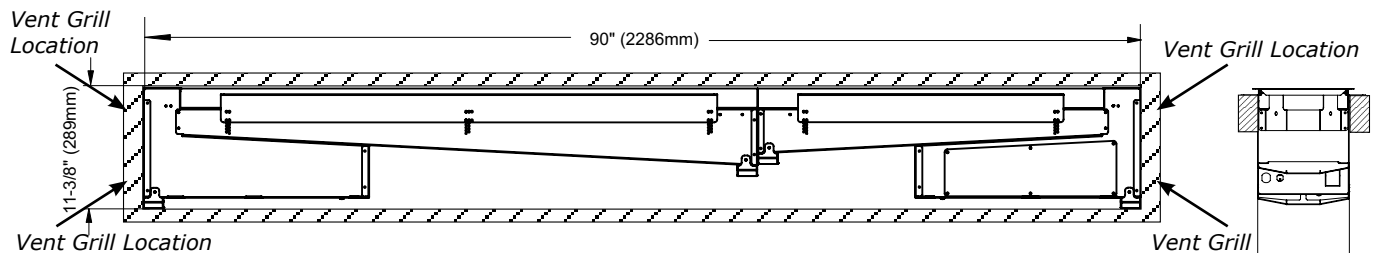
END VIEW

NOTE: PTO50 - Two (2) ventilation grills are required for all enclosures. The ventilation grill(s) must be placed at either end as shown to allow the air to circulate from one end to the other.
 This is to alleviate moisture and allow for air to circulate. Minimum recommended size 20" sq (508 mm²) ea.
 The ventilation grills must be located at the ends of the burner as shown.

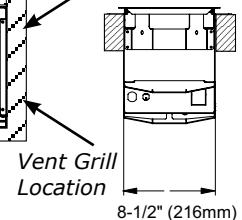
PTO80



TOP VIEW



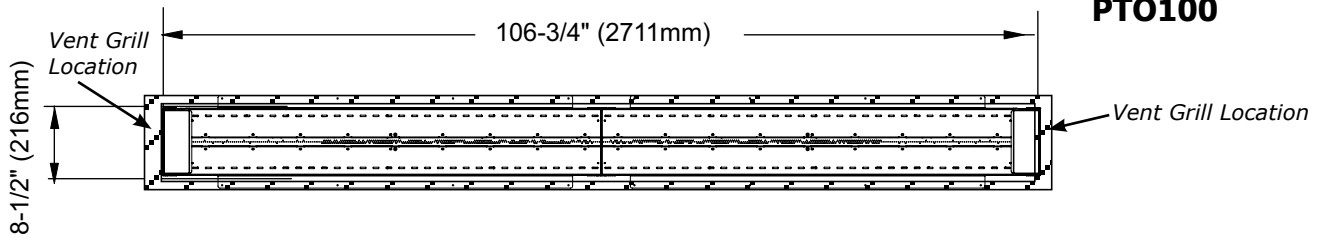
SIDE VIEW



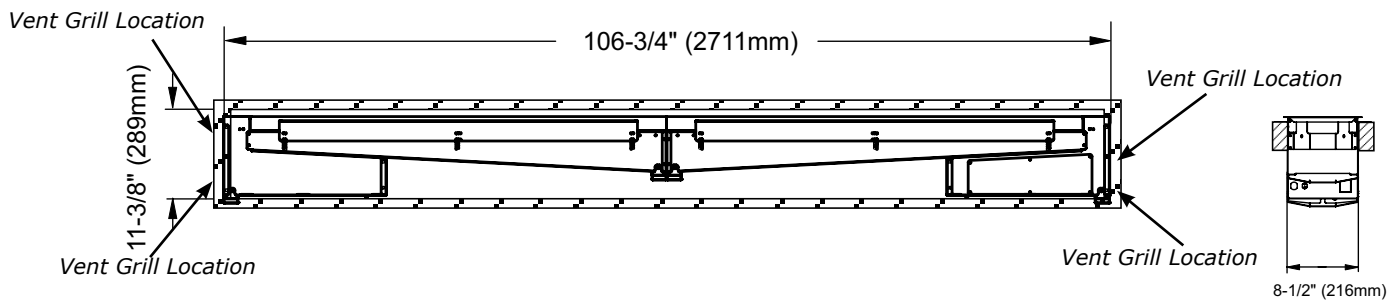
END VIEW

NOTE: PTO80 - Four (4) ventilation grills are required for all enclosures. The ventilation grill(s) must be placed at either end as shown to allow the air to circulate from one end to the other.
 This is to alleviate moisture and allow for air to circulate. Minimum recommended size 20" sq (508 mm²) ea.
 The ventilation grills must be located at the ends of the burner as shown.

PTO100



TOP VIEW



SIDE VIEW

END VIEW

NOTE: PTO100 - Four (4) ventilation grills are required for all enclosures. The ventilation grill(s) must be placed at either end as shown to allow the air to circulate from one end to the other. This is to alleviate moisture and allow for air to circulate. Minimum recommended size 20" sq (508 mm²) ea. The ventilation grills must be located at the ends of the burner as shown.

ENCLOSURE VENT INSTALLATION

PTO30/PTO50 - Two (2) ventilation grills are required for all enclosures. The ventilation grill(s) must be placed at either end as shown to allow the air to circulate from one end to the other. This is to alleviate moisture and allow for air to circulate. Minimum recommended size 20" sq (508 mm²) ea.

PTO60/PTO80/PTO100 - Four (4) ventilation grills are required for all enclosures. Two (2) upper and two (2) lower ventilation grills are required for all enclosures.

This is to alleviate moisture and allow for air to circulate. Minimum recommended size: 20" sq. (508 mm²) ea.

If using the grills offered by Regency (supplied), follow the instructions noted below:

Frame the opening for the upper vent at 16" x 1-1/4" - secure the upper vent to the framing with 6 screws.

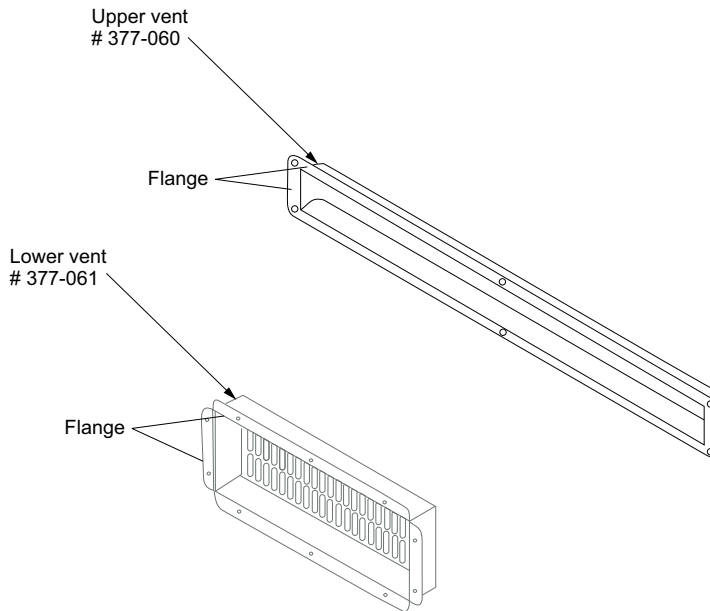
Frame the opening for the lower vent at 8" x 2-7/8" - secure the lower vent with 10 screws.

We highly recommend installing these upper (PTO60/PTO80/PTO100) and lower grills (PTO30/PTO50/PTO60/PTO80/PTO100) at either end of the framed structure to allow the air to circulate from one end to the other.

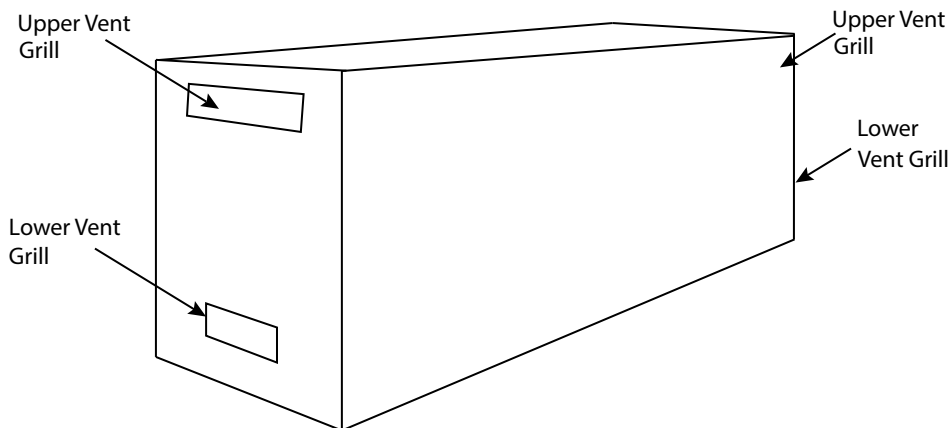
Note: If purchasing grills elsewhere, ensure the minimum recommended size of 20"sq. (508 mm²) each is met.

PTO30/PTO50 Optional grills Includes 2 x 377-061 Lower vent (Kit part # 377-946)

PTO60/PTO80/PTO100 Optional grills Includes 2 x 377-061 Lower vent & 2 x 377-060 Upper Vent (Kit part # 377-948)



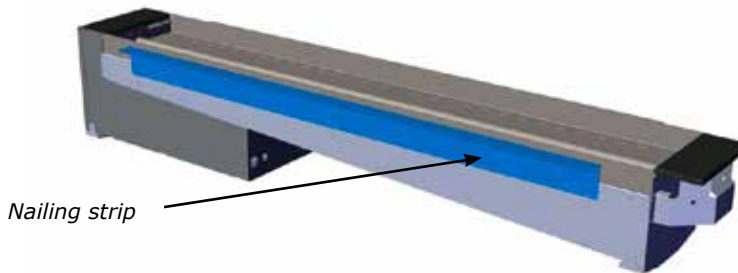
Note: Finishing material can be brought over the flange of the ventilation grills to ensure a clean look.



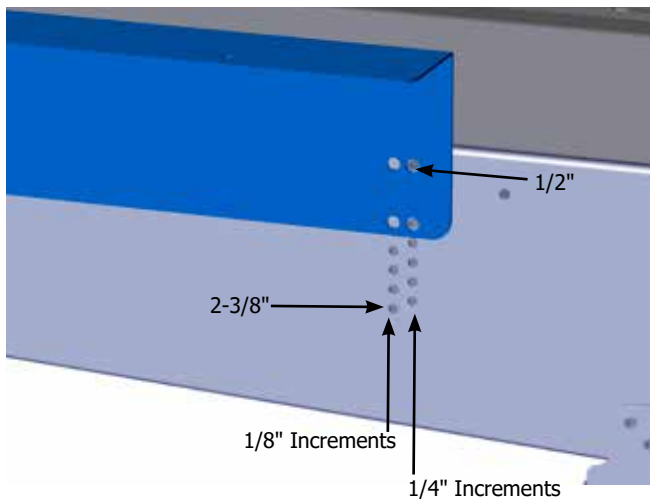
FINISHING

Side nailing strips are adjustable for material from a minimum of 1/2" thick up to a maximum of 2-3/8" thick.

The finishing materials cannot extend beyond the height of the burner.



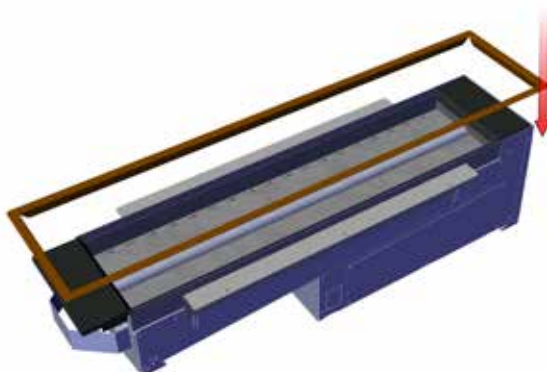
Side nailing strips are adjustable in 1/4" or 1/8" increments. Each hole on the inside line is 1/8", each hole on the outside line is 1/4". Determine the thickness of the finishing material before adjusting the nailing strips.



OPTIONAL FINISHING TRIM

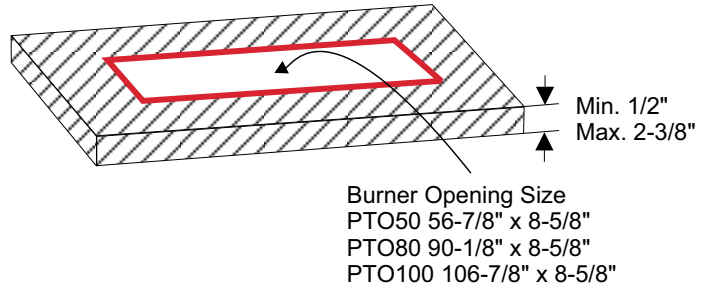
Optional finishing trim is not supplied with the PTO50 - if purchased, place finishing trim on unit between unit and finishing material.

Note: Optional trim is not available for the PTO80 and PTO100.



FINISHING MATERIALS:

This burner is designed to be finished with non-combustible materials (ie. tile, granite, marble, brick, etc.) with a minimum thickness of 1/2" to a maximum thickness of 2-3/8".



Important Note: Two (2) ventilation grills, (PTO50), Four (4) ventilation grills (PTO80 & PTO100) are highly recommended for all enclosures. This is to alleviate moisture and allow for air to circulate. Minimum recommended size : 20" sq (508 mm ²) each. The ventilation grills must be located at the ends of the burner.

PTO50-NG11 SYSTEM DATA	
Max. Supply Pressure	14" WC (3.49 kPa)
Min. Supply Pressure	5" WC (1.25 kPa)
Manifold Pressure	3.5" WC (0.87 kPa)
Manifold Pressure -Low	1.6" WC (0.40 kPa)
Orifice Size	#11 DMS
Minimum Input	42,000 Btu/h (12.31 kW)
Maximum Input	64,000 Btu/h (18.76 kW)

PTO50-LP11 SYSTEM DATA	
Max. Supply Pressure	14" WC (3.49 kPa)
Min. Supply Pressure	11" WC (2.73 kPa)
Manifold Pressure	10" WC (2.49 kPa)
Manifold Pressure-Low	6.4" WC (1.59 kPa)
Orifice Size	#42 DMS
Minimum Input	49,000 Btu/h (14.36 kW)
Maximum Input	62,000 Btu/h (18.17 kW)

NOTE:
The two PTO50s have a combined minimum input of 84,000 Btu - NG/ 98,000 Btu - LP and max. input of 128,000 Btu - NG / 124,000 Btu - LP. Care should be taken when sizing the gas pipe due to the extremely high Btu of this unit.

HIGH ELEVATION

This unit is approved for altitude 0 to 4500 ft. (CAN/CGA 2.17-M91).

GAS LINE INSTALLATION

Since some municipalities have additional local codes it is always best to consult with your local authorities and the CAN/CGA B149 installation code.

For USA installations follow local codes and/or the current National Fuel Gas Code, ANSI Z223.1.

This comes with a gas flex attached to the inlet of the valve. We supply a 1/2" (13 mm) flare x 1/2" (13 mm) male adaptor for the installer to connect to this flex hose.

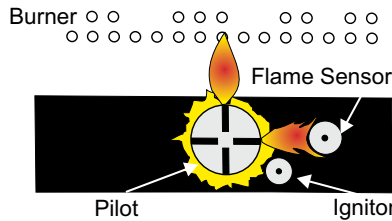
When using copper or flex connectors use only approved fittings. Always provide a union so that gas lines can be easily disconnected for servicing. Flare nuts for copper lines and flex connectors are usually considered to meet this requirement.

NOTE: A shutoff / dante valve should be supplied in or near the unit (or as per local codes) for ease of servicing this appliance.

IMPORTANT: Always check for gas leaks with a soap and water solution or gas leak detector. Do not use open flame for leak testing.

PILOT ADJUSTMENT

Periodically check the pilot flames. **Correct flame pattern has two strong blue flames: 1 flowing around the flame sensor and 1 flowing across the burner (it does not have to be touching the burner).**



Note: If you have an incorrect flame pattern, contact your Regency® dealer for further instructions.

Incorrect flame pattern will have small, probably yellow flames, not coming into proper contact with the rear burner or flame sensor.

GAS PIPE PRESSURE TESTING

The appliance must be isolated from the gas supply piping system by closing its individual manual shut-off valve during any pressure testing of the gas supply piping system at test pressures equal to or less than 1/2 psig. (3.45 kPa). Disconnect piping from valve at pressures over 1/2 psig.

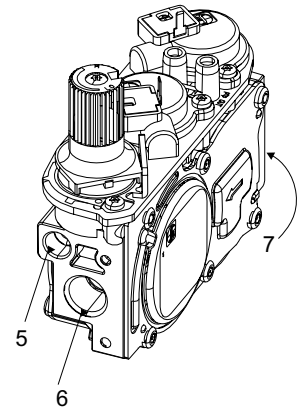
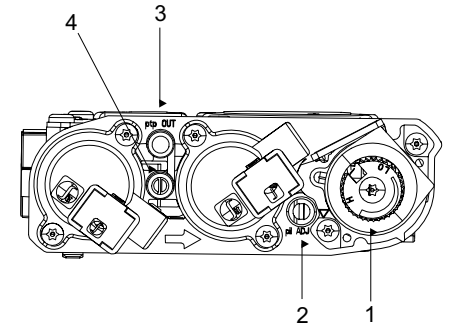
The manifold pressure is controlled by a regulator built into the gas control, and should be checked at the pressure test point.

Note: To properly check gas pressure, both inlet and manifold pressures should be checked using the valve pressure ports on the valve.

1. Make sure the valve is in the "OFF" position.
2. Loosen the "IN" and/or "OUT" pressure tap(s), turning counterclockwise with a 1/8" wide flat screwdriver.
3. Attach manometer to "IN" and/or "OUT" pressure tap(s) using a 5/16" ID hose.
4. Light the pilot and turn the valve to "ON" position.
5. The pressure check should be carried out with the unit burning and the setting should be within the limits specified on the safety label.
6. When finished reading manometer, turn off the gas valve, disconnect the hose and tighten the screw (clockwise) with a 1/8" flat screwdriver. **Note:** Screw should be snug, but do not over tighten.

886 S.I.T. VALVE DESCRIPTION

- 1) Manual high/low adjustment
- 2) Pilot adjustment
- 3) Outlet Pressure Tap
- 4) Inlet Pressure Tap
- 5) Pilot Outlet
- 6) Main Gas Outlet
- 7) Main Gas Inlet



AERATION ADJUSTMENT

The burner aeration is factory set but may need adjusting due to either the local gas supply or altitude. Open the air shutter for a blue flame or close for a more yellow flame.

Minimum Air Shutter Opening:

Fully Closed	NG
1/4"	LP

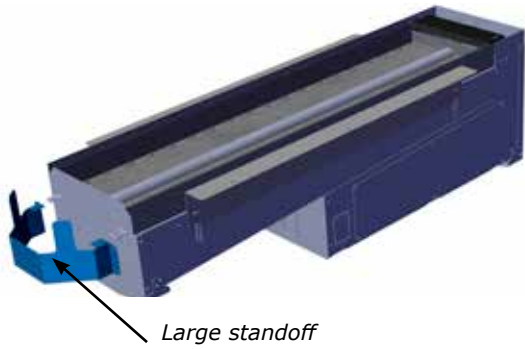
See LP conversion instructions (Steps 1-3 & 8) in this manual for aeration adjustment instructions.

Note: Any damaged due to carboning resulting from improperly setting the aeration controls is NOT covered under warranty.

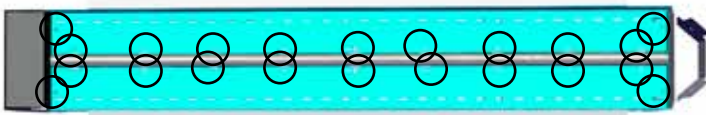
JOINING TWO UNITS END TO END

NOTE: Two PTO50s or a PTO50 and PTO30 can be assembled end to end. You must purchase the two units individually.

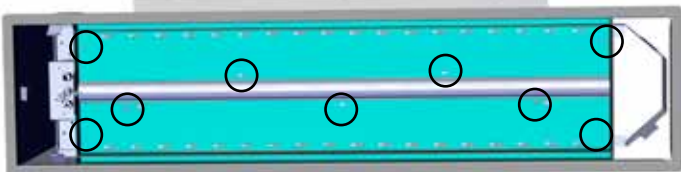
1. Remove the large stand off on the end of the unit from both PTO50s units - by removing 2 screws per side.



2. Remove 22 screws (PTO50) or 9 screws (PTO30) in locations shown below to remove burner tray (remove from both units).



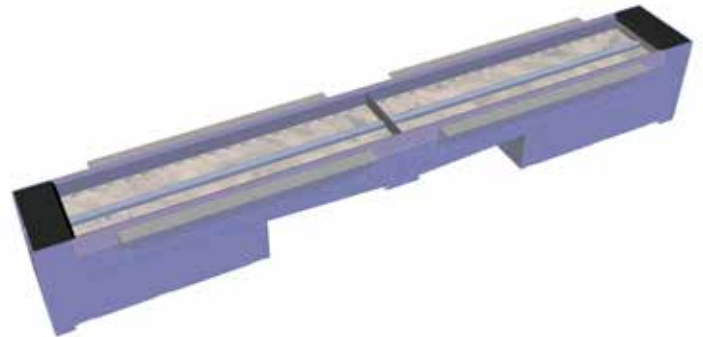
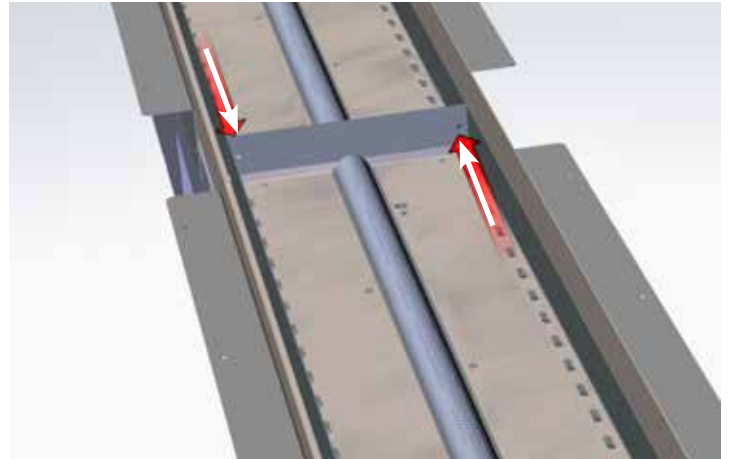
PTO50



PTO30

3. Lift burner tray off-burner tube can remain in place.

4. Line the two units up end to end. Screw fireboxes together (one from each side).
5. Reinstall burner trays.



6. Install units together into framing (refer to framing section). Secure in place with nailing strips.

Note: To balance the flame, the PTO30 manifold pressure will need to be adjusted to the following:

PTO30-NG Natural Gas - 1.6"WC
 PTO30-LP Propane - 8"WC

Refer to "Valve Assembly Replacement" in the PTO30 manual to access valve regulator.

CONVERSION FROM NG TO LP

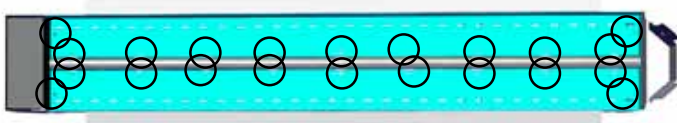
**THIS CONVERSION MUST BE DONE BY A QUALIFIED GAS FITTER
IF IN DOUBT DO NOT DO THIS CONVERSION !!**

Each Kit #646-969 contains one LP Conversion Kit

Conversion Kit Contains:		
Qty.	Part #	Description
1	904-430	Burner Orifice #42
1	904-529	5/32" Allen Key
1	908-528	Red "LP" label
1	911-009	Hi/Lo conversion LP For 886
1	910-101	Pilot Orifice LP
1	918-590	Decal "Converted to LP"
1	919-767	Instruction Sheet

Turn the unit off and allow to cool to room temperature.
Turn off gas supply.

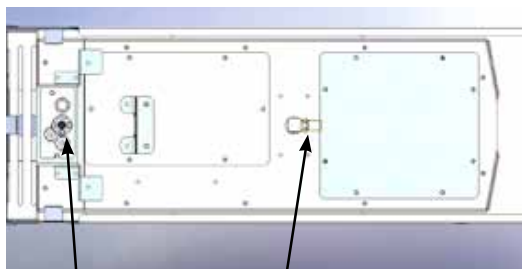
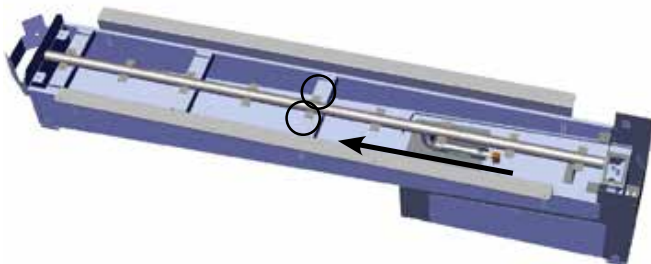
1. Remove glass crystals and log set, if installed.
- 2a. Locate and remove 22 screws to remove the burner tray.



- 2b. Remove 2 screws to remove the burner end (see below).



3. Remove 2 screws and slide burner tube to the left (away from the orifice) to remove.



Pilot Cap

Burner orifice

4. Remove burner orifice with a 1/2" wrench. Use another wrench to hold on to the elbow behind the orifice. Discard orifice. Install new LP #42 burner orifice supplied with kit.



5. Remove the wire clip below the pilot cap.



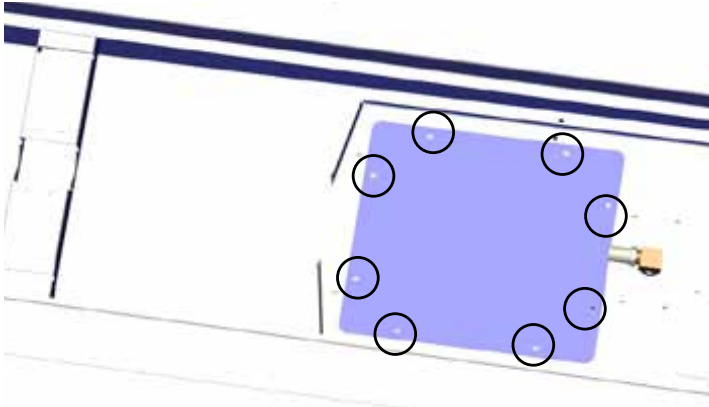
Pilot retainer clip



6. Pull off the pilot cap to expose the pilot orifice. Using a 5/32" allen key, remove pilot orifice and replace with LP pilot orifice.



7. Re-install pilot cap.
8. Adjust air shutter to 1/4 inch open by loosening the screw on the air shutter. Retighten screw after adjustment.
9. Remove 8 screws on valve access cover.



10. Remove Hi/Lo pressure regulator by removing 2 screws as shown below. Reverse steps to install LP pressure regulator. (Be sure diaphragm and spring are removed from the original regulator.)



Hi/LO Pressure Regulator

11. Attach the label "This unit has been converted to LP" near or on top of the serial # decal.
 12. Replace yellow "NG" label with red "LP" label. Make appropriate gas connections.
 13. Reverse Steps 1-6
 14. Check all gas connections under normal operating pressure, for leaks, with soapy water.
- NOTE:** If soap bubbles, this would indicate a gas leak.
15. Check inlet and outlet pressures.
 16. Check operation of flame control.

WALL SWITCH AND BATTERY INSTALLATION (INCLUDED WITH UNIT)

The unit comes with low voltage wire and a battery extension wire installed.

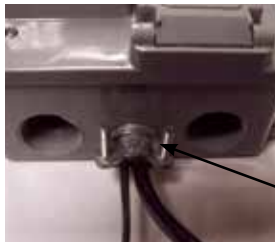
1. Run supplied wire to desired location - to a maximum of 9 feet.
2. Install supplied electrical box in desired location.



3. Remove center knock out from electrical box and install strain relief (strain relief nut not required).



Center knock out



Strain Relief

4. Route low voltage wire and battery extension wire through the strain relief.
5. Connect low voltage wire to supplied switch, fasten switch to right side of electrical box (polarity not important).



6. Install supplied 4-AA batteries into the battery holder. Using velcro install battery holder to the backside of the battery compartment door. Connect battery terminal.



7. Using silicone, completely seal strain relief to protect from water or moisture.
8. Place supplied gasket on top of electrical box.
9. Fasten cover to electrical box using supplied screws.
10. Place switch in <OFF> position until final installation is complete.



WALL SWITCH AND BATTERY INSTALLATION FOR TWO UNITS (INCLUDED WITH UNIT)

NOTE: PTO80 is a PTO50 and PTO30 assembled end to end
PTO100 is two PTO50 units assembled end to end.

Note: Each unit comes with a wall switch. However, only one wall switch is required. The 2nd switch can either be discarded or saved as a spare part. The units come with a low voltage wire and a battery extension wire installed on each burner.

1. Run supplied wire to desired location - to a max. of 9 feet for both burners.
2. Install supplied electrical box in desired location.



3. Remove center knock out from electrical box and install strain relief (strain relief nut not required).



Center knock out



Strain Relief

4. Connect both sets of low voltage wires together from each burner - white with white and black with black.
5. Route low voltage wires and battery extension wire through the strain relief.

Note: Ensure the battery extension wires are approximately 8" in length inside the electrical box. This excess will ensure ease of battery replacement and servicing in the future.



6. Attach low voltage wires to the switch - ensure to attach on the right side of the switch. This will make it easier to remove the 2nd battery terminal when replacing batteries. Fasten switch to right side of electrical box as shown below.



7. Install 4- AA batteries into each battery terminal. Ensure correct polarity. Slide the first battery terminal all the way to the right - until it is next to the switch. The 2nd battery terminal can be attached to the battery cover with the supplied velcro.



Slide 1st battery pack to the right.

8. Using silicone, completely seal strain relief to protect from water or moisture.
9. Place supplied gasket on top of electrical box.
10. Fasten cover to electrical box using supplied screws.
11. Place switch in OFF position until final installation is complete.



WARNING: Failure to position the parts in accordance with these diagrams or failure to use only parts specifically approved with this appliance may result in property damage or personal injury.

OPTIONAL HARDWIRE KIT INSTALLATION

A hard wire kit is available for this unit as an option, to hard wire this appliance, a qualified electrician must remove the cord connection, and wire the appliance directly to the household wiring.

This appliance must be electrically connected and grounded in accordance with local codes, if hard wired.

In the absence of local codes, use the current CSA C22.1 CANADIAN ELECTRICAL CODE in Canada or the current ANSI/NFPA 70 NATIONAL ELECTRICAL CODE in the United States.

WARNING!

- USE ONLY A GROUND FAULT INTERRUPTER (GFI) PROTECTED CIRCUIT WITH THIS OUTDOOR GAS APPLIANCE .
- ENSURE THAT ALL POWER SOURCES HAVE BEEN SHUT OFF PRIOR TO BEGINNING ANY ELECTRICAL WORK.
- DO NOT USE THIS APPLIANCE IF ANY PART HAS BEEN UNDER WATER.
- CALL A QUALIFIED SERVICE TECHNICIAN IMMEDIATELY TO HAVE THE APPLIANCE INSPECTED FOR DAMAGE TO THE ELECTRICAL CIRCUIT.
- RISK OF ELECTRICAL SHOCK OR EXPLOSION. DO NOT WIRE 110V TO THE VALVE OR TO THE APPLIANCE WALL SWITCH.
- INCORRECT WIRING WILL DAMAGE CONTROLS AND IS NOT COVERED BY THE WARRANTY.
- ALL WIRING SHOULD BE DONE BY A QUALIFIED ELECTRICIAN AND SHALL BE IN COMPLIANCE WITH LOCAL CODES. IN THE ABSENCE OF LOCAL CODES, USE THE CURRENT CSA22.1 CANADIAN ELECTRIC CODE IN CANADA OR THE CURRENT NATIONAL ELECTRIC CODE ANSI / NFPA NO. 70 IN THE UNITED STATES.

Important : This electrical box must be located within 10 feet of the burner(s) as the AC adaptor is 10 feet long and will not reach the DC supply wire connection if any farther.

Note (PTO30/PTO50 only): If 2 burners are used, an additional AC adaptor will be required to power the second burner.

The 4 AA batteries do not need to be installed if using the AC adaptor. The batteries would only be required in the event that 120V power is lost.

SHUT OFF GAS AND ELECTRICAL SUPPLY BEFORE STARTING THIS INSTALLATION.

1. Install electrical box into the outer box with 4 screws (Diagram 1).
2. Depending on which side (or conduit size) the electrical outlet will be installed, remove the corresponding knockouts in the outer box and electrical box to allow access for the conduit wiring (supplied by others) (Diagram 1).

ALL WIRING SHOULD BE DONE BY A QUALIFIED ELECTRICIAN

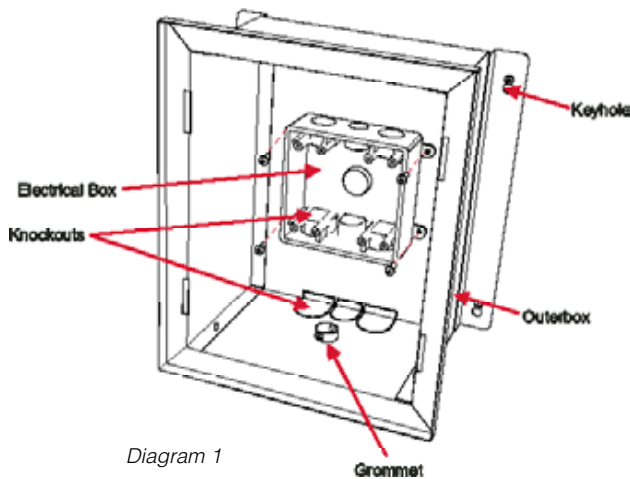
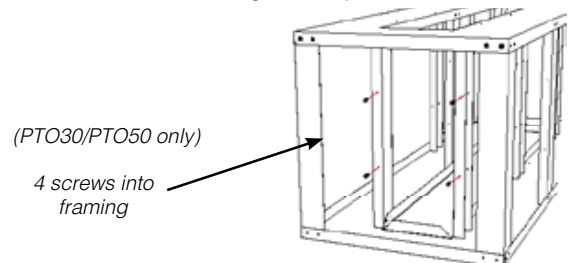


Diagram 1

Install electrical box into the outer box with 4 screws.

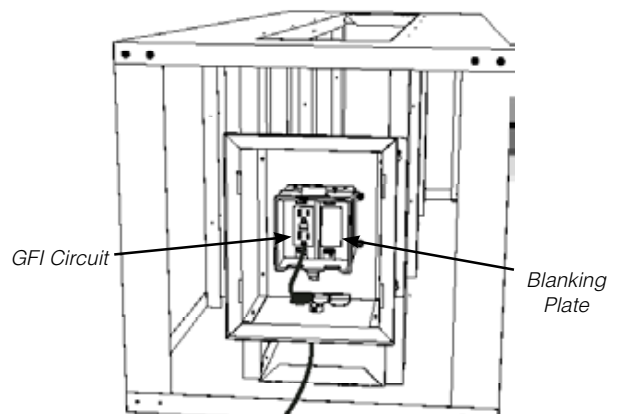
3. Install 4 screws into existing holes in the interior if using the optional framing kit in locations shown in the diagram below. Keep screws loose--do not tighten.

NOTE: If the optional framing is not used the outer box can be installed into conventional framing. See Step 14.



In the diagram below the outer box is installed. To install the outer box, line up the keyholes on the box with corresponding screws (installed in previous step) on the framing kit. When the box is in position, tighten the screws. (PTO30/PTO50 only).

4. Run the conduit to the electrical box through the knockout and complete the wiring of the electrical to the GFI circuit supplied with the kit. Once electrical wiring is complete, Secure both the GFI circuit and white blanking plate to the electrical box using 2 screws each.



5. Plug in the supplied AC adaptor and run the wire through the bottom of the outer box, be sure to use a grommet to protect the wire.

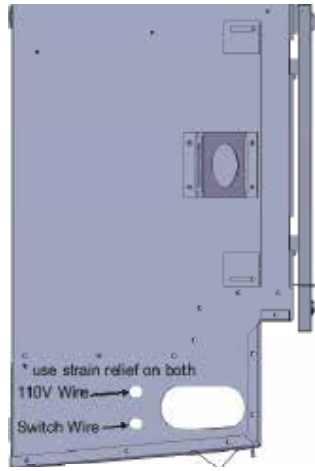


6. Run the AC adaptor wire from the recently installed electrical box, to the back of the unit end.

7. Attach the AC adaptor to the DC supply wire. Secure wire using a strain relief (see enclosed picture). Reinstall the valve cover plate (reverse Step 6).



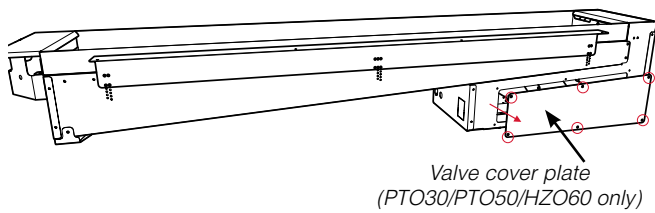
PTO30/PTO50/HZO60



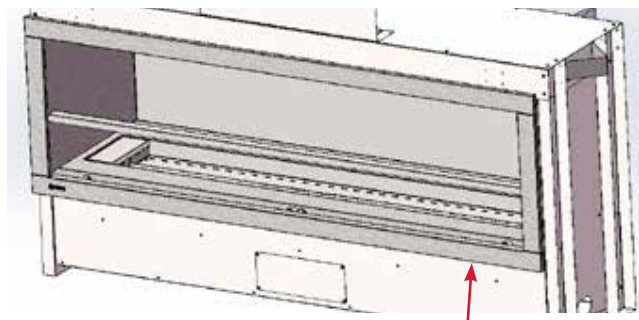
HZO42

8. Remove the valve cover plate on side of unit to expose the DC supply wire by removing 6 screws (PTO30/PTO50/HZO60 only)

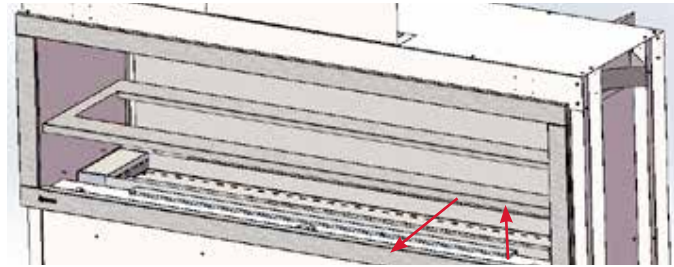
NOTE: The valve cover plate should be removed prior to being installed into the framing kit or framing in general for ease of access to these 6 screws. This would also apply when reinstalling the valve cover plate.



9. HZO42/HZO60 only - Note: Remove glass windshield(s) if installed - Remove the front access panel by lifting up and out.



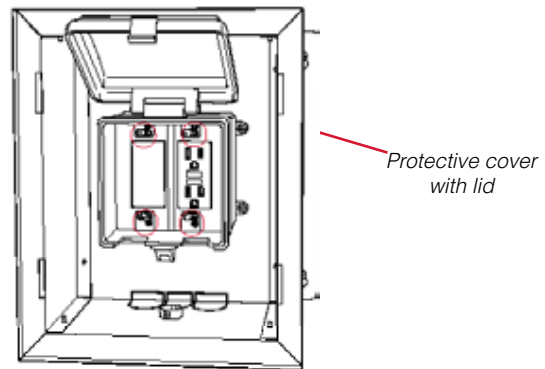
10. HZO42/HZO60--Remove the burner tray by lifting up and out.



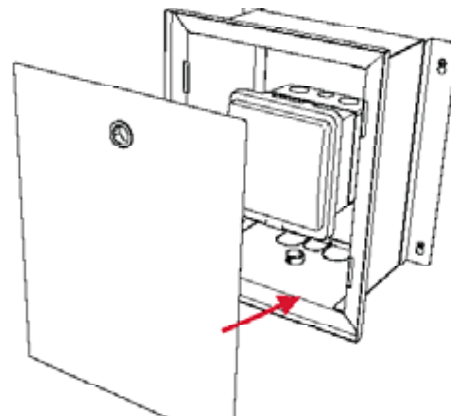
- HZO42 only- remove 6 screws in locations shown below to access DC supply.



11. Locate the 'DC supply' wire on the wiring harness, the wire will be clearly marked 'DC supply'. See 'AC Adaptor Install' in the manual.
12. Secure protective cover with lid to the receptacle box with 4 screws.



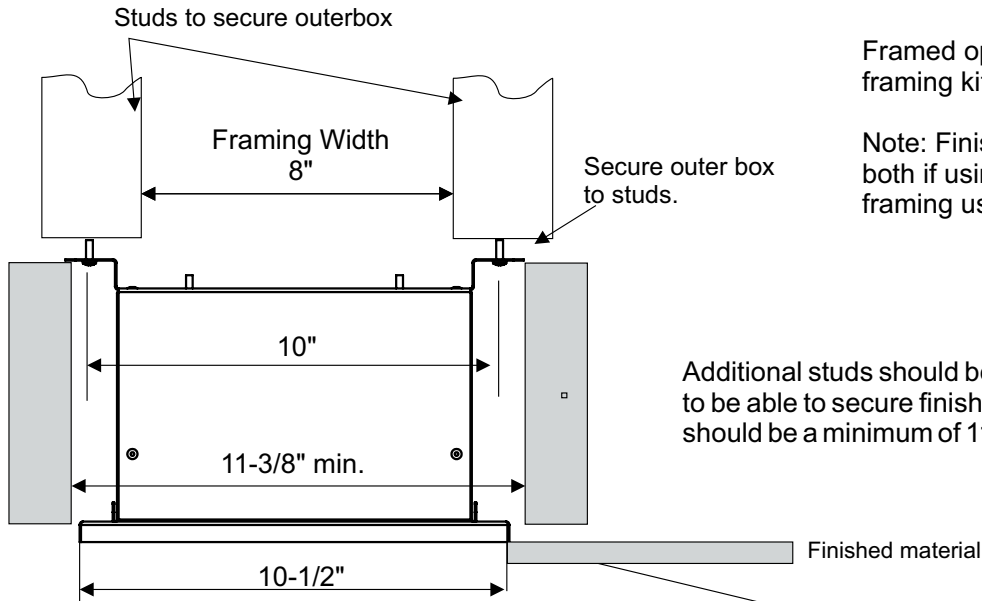
13. Install cover onto outer box.



14. Turn on gas and electrical supply and test unit.

15. PTO100 Only:
If a second AC adaptor is required to power a second burner, repeat steps 5-9.

16. Installing the outer box into conventional framing:

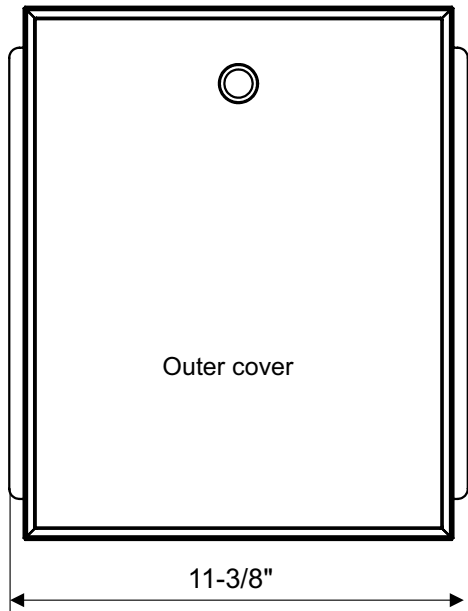


Framed opening, if not using steel stud framing kit.

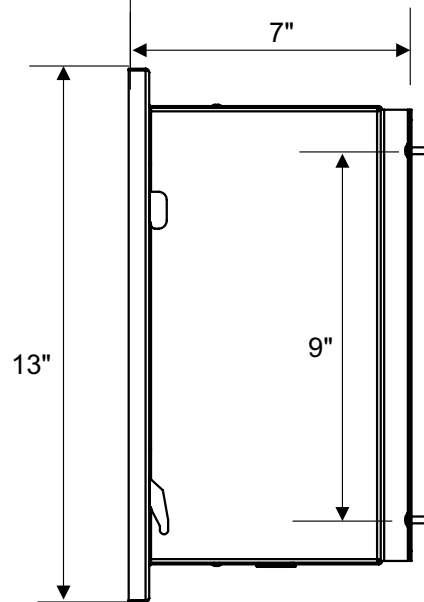
Note: Finished materials would apply to both if using the steel stud kit or framing using other materials.

Additional studs should be placed anywhere in this area to be able to secure finished materials. Framed opening should be a minimum of 11 3/8\".

Top View



Front View



Side View

The front outer cover may also be covered with finishing materials if desired. Ensure that the outer cover when using finished materials, that it may be removed if access is ever required to the GFI circuit.

WARNING: Failure to position the parts in accordance with these diagrams or failure to use only parts specifically approved with this appliance may result in property damage or personal injury.

AC ADAPTOR INSTALLATION

A hard wire kit is available for this unit as an option (see hard wire kit instructions), to hard wire this appliance, a qualified electrician must remove the cord connection, and wire the appliance directly to the household wiring.

This appliance must be electrically connected and grounded in accordance with local codes, if hard wired.

In the absence of local codes, use the current CSA C22.1 CANADIAN ELECTRICAL CODE in Canada or the current ANSI/NFPA 70 NATIONAL ELECTRICAL CODE in the United States.

WARNING!

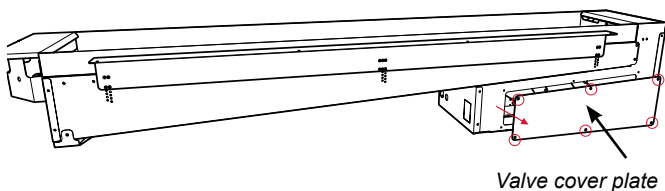
- USE ONLY A GROUND FAULT INTERRUPTER (GFI) PROTECTED CIRCUIT WITH THIS OUTDOOR GAS APPLIANCE .
- ENSURE THAT ALL POWER SOURCES HAVE BEEN SHUT OFF PRIOR TO BEGINNING ANY ELECTRICAL WORK.
- DO NOT USE THIS APPLIANCE IF ANY PART HAS BEEN UNDER WATER.
- CALL A QUALIFIED SERVICE TECHNICIAN IMMEDIATELY TO HAVE THE APPLIANCE INSPECTED FOR DAMAGE TO THE ELECTRICAL CIRCUIT.
- RISK OF ELECTRICAL SHOCK OR EXPLOSION. DO NOT WIRE 110V TO THE VALVE OR TO THE APPLIANCE WALL SWITCH.
- INCORRECT WIRING WILL DAMAGE CONTROLS AND IS NOT COVERED BY THE WARRANTY.
- ALL WIRING SHOULD BE DONE BY A QUALIFIED ELECTRICIAN AND SHALL BE IN COMPLIANCE WITH LOCAL CODES. IN THE ABSENCE OF LOCAL CODES, USE THE CURRENT CSA22.1 CANADIAN ELECTRIC CODE IN CANADA OR THE CURRENT NATIONAL ELECTRIC CODE ANSI / NFPA NO. 70 IN THE UNITED STATES.

Important: Electrical box must be located within 10 feet of the burner(s) as the AC adaptor is 10 feet long and will not reach the DC supply wire connection if any farther.

The 4 AA batteries do not need to be installed if using the AC adaptor. The batteries would only be required in the event that 120V power is lost.

1. Remove the valve cover plate on side of unit to expose the DC supply wire by removing 6 screws

NOTE: The valve cover plate should be removed prior to being installed into the framing kit or framing in general for ease of access to these 6 screws. This would also apply when reinstalling the valve cover plate.



2. Locate the 'DC supply' wire on the wiring harness, the wire will be clearly marked.



AC adaptor

DC supply wire from wiring harness

3. Run the AC adaptor wire from the recently installed electrical box, to the back of the unit end, connect the AC Adaptor with the DC supply wire in the previous step.
4. Attach the AC adaptor to the DC supply wire. Secure wire using a strain relief (see enclosed picture) Reinstall the valve cover plate (reverse Step 2).
5. Plug the AC adaptor into a grounded fault interrupter (GFI) protected circuit.
6. Turn on gas and electrical supply and test unit.

PTO50 DRAIN INSTALLATION (RECOMMENDED)

Although this decorative gas appliance is designed to operate outdoors safely, rain and other sources of moisture may enter the burner area, which will cause water to collect inside the base of the unit.

NOTE: When two PTO50s are joined together, installation of 4 drains is required (two per unit).

To prevent excessive water collection, the installer should provide a way to drain the water from the base of the unit by building or installing a water collector before positioning the decorative gas appliance in its location.

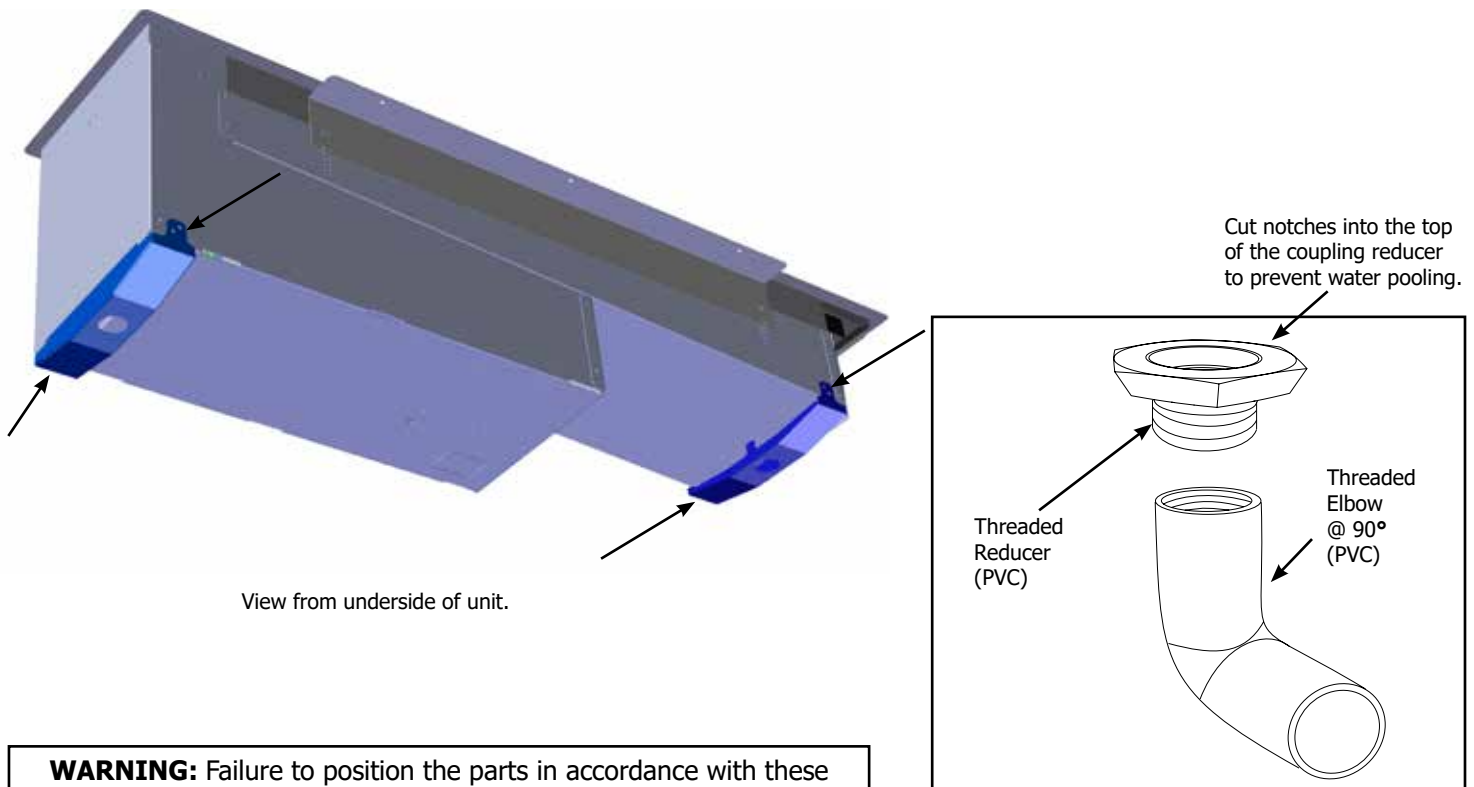
INSTALLATION INSTRUCTIONS

1. Remove 4 screws (2 each side) to remove the bracket from the bottom of the burner.
2. On the exposed drain hole (see location below), install a PVC 3/4" threaded coupling reducer going from the top of the pan, down through the hole. Apply a silicone-based sealant around the base and threads before installation. Cut notches into the top of the coupling reducer to prevent water pooling.
3. Holding the reducer coupling with a wrench, thread a 90° PVC elbow (from the underside of the unit) to the reducer until it is tight to the metal.
4. Reinstall bracket from Step 1.
5. Repeat steps 1-4 on bracket at other end of burner.
6. Apply a silicone based sealant to the bracket (along all edges).

Note: To assure proper drainage, the decorative gas appliance must be installed on a leveled surface

7. Add additional piping to route the drain to an appropriate location.

NOTE: Install two drains on both burners when two units are joined together (four total).



View from underside of unit.

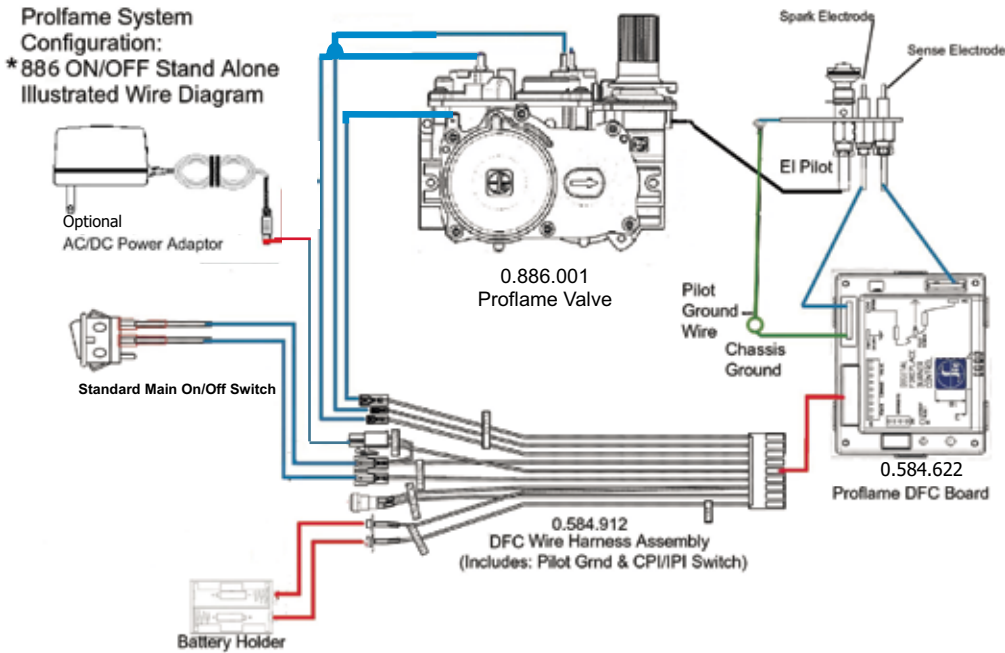
Reducer and elbow can be purchased from your local hardware store.

WARNING: Failure to position the parts in accordance with these diagrams or failure to use only parts specifically approved with this appliance may result in property damage or personal injury.

PTO50 WIRING DIAGRAM

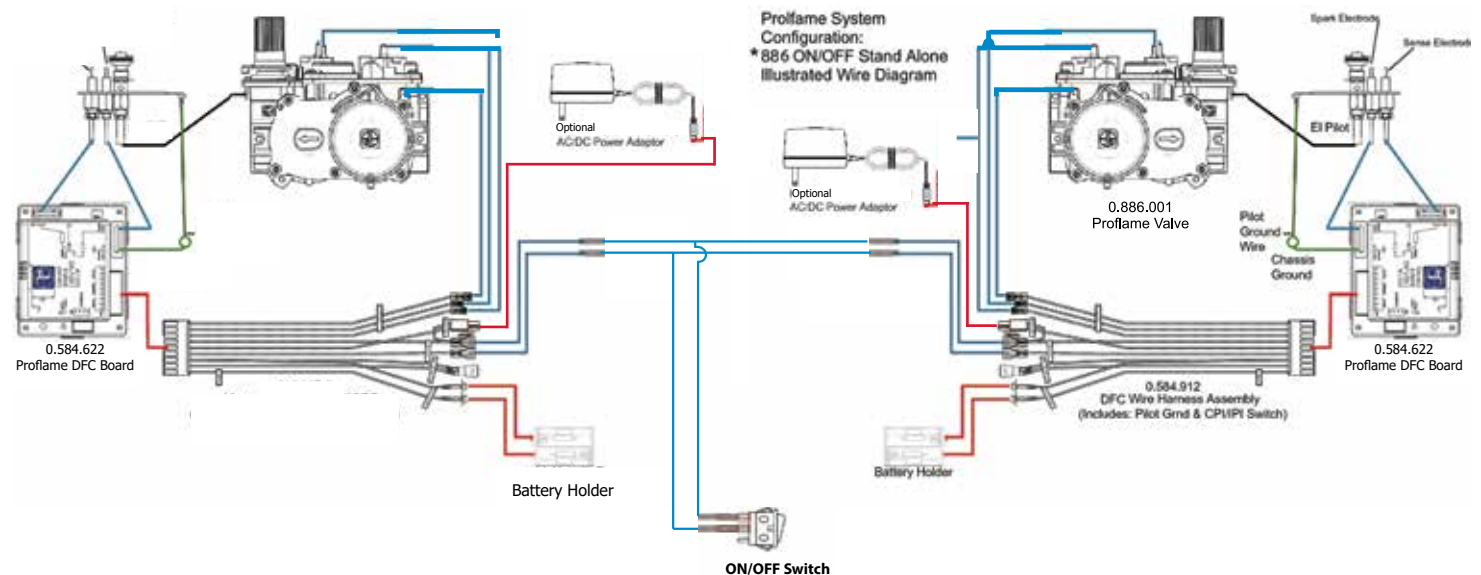
This appliance does not require a 120V A.C. supply for operation.

NOTE: 4 AA batteries must be installed in the battery pack to operate the burner switch. Do not use a 9 volt battery.



The appliance, when installed, must be electrically grounded in accordance with local codes, or in the absence of local codes with the *National Electrical Code, ANSI/NFPA 70*, if applicable.

PTO100 WIRING DIAGRAM (TWO PTO50S ASSEMBLED END-TO-END)



GLASS CRYSTAL / BASALT VOLCANIC STONES INSTALLATION

Evenly spread the Glass Crystals/Firebeads and optional Basalt Volcanic Stones over the burner. Ensure the crystals/beads (or stones) do not overlap too much as this will effect the flame pattern.

IMPORTANT NOTE:

Only the supplied approved Glass Crystals/Firebeads and Basalt Volcanic stones are to be used with these fireplaces. Use of any other type of glass crystals, beads, or stones can alter the unit's performance, any damage caused by the use of any unapproved glass or stones will not be covered under warranty.

When using Basalt Volcanic Stones DO NOT cover pilot light that lead to pilot flame.

Do not add Basalt Volcanic Stones when using driftwood log set.

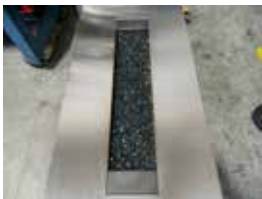
BURNER PACKAGES		
Unit	Glass Crystals/Firebeads	*Glass Crystals/Firebeads + Volcanic stones ¹
PTO50	15lbs	10lbs glass/beads + 2 boxes stones- recommended
PTO80	25lbs	15lbs glass/beads + 3 boxes stones- recommended
PTO100 (2 x PTO50)	30lbs	20lbs glass /beads+ 4 boxes - recommended

NOTE: * Glass Crystals/Firebeads are available in 5lb bags.
¹ Glass Crystals/Firebeads to be installed on the burner prior to installing stones.
 Basalt Volcanic Stones are measured by weight not quantity. Each bag contains 15 lbs of stones, however the exact quantity and size vary. Sizes vary between 2" - 3"



1. Start pouring Crystals/ Firebeads on one end of the burner.

2. Work Crystals/Firebeads to other end of the Burner. Base and burner tube should not be visible when crystals are spread out.



3. Work Crystals/Firebeads downwards to front edge of top edge of burner.

4. Basalt Volcanic Stones shown spread evenly over the burner and crystal base.

5. Ensure Crystals/Firebeads do not block the front of the pilot hood and flame to light the burner.

NOTE: Correct final glass installation of Crystals/Firebeads as shown in step 2 and 3. The Burner should not be visible when the flame is out.

NOTE: Basalt Volcanic Stones are **NOT** to be placed anywhere on the Pilot assembly area. Glass Crystals/Firebeads to be installed on the burner prior to installing stones.

OPTIONAL LOG SET INSTALLATION

NOTE: PTO50 requires 2 log sets and when two PTO50s are assembled end to end (PTO100), 4 log sets are required.
PTO80 (PTO50 + PTO30 assembled end to end) requires 3 log sets.

Read the instructions below carefully and refer to the images. If any of the Logs/Twigs are broken, do not use the unit until they are replaced.

Broken Logs/Twigs can interfere with pilot operation.

Install 15lbs (PTO50) / 25lbs (PTO80) /30lbs (PTO100) of glass crystals or firebaads on the burner (follow glass crystal or firebead instruction sheet) before installing logs.

Improper positioning of the Logs/Twigs may create carbon build-up and can alter the unit's performance which is not covered under warranty.

The PTO50 uses 2 Log/Twig Sets (#326-930), both contain the following pieces:

Description

- Log/Twig A
- Log/Twig B
- Log/Twig C
- Log/Twig D
- Log/Twig E
- Log/Twig F

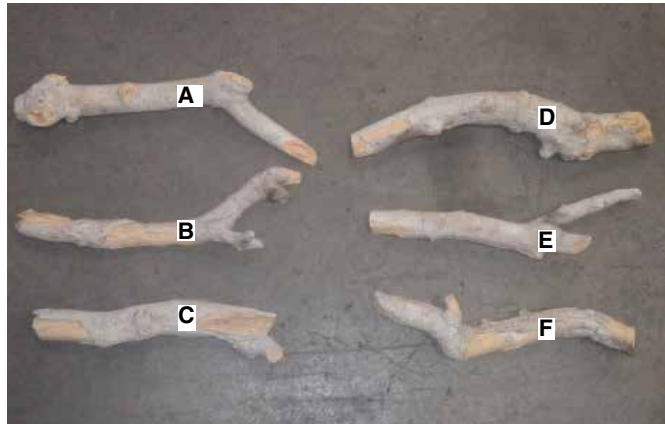


Diagram 1

Two identical log sets are installed on the right and left sides of the burner and mirror one another. After installing each Log on one side of the burner—install the duplicate Log from the second set to mirror its mate.

1. Install Log/Twig A on the right side of the burner, orient the Log/Twig in the same way and in a similar location on the right side of the burner as shown in Diagram 2.



Diagram 2

2. Install Log/Twig A on the left side of the burner, orient the Log/Twig on the left side of the burner to mirror Log A on the right—as shown in Diagram 3.



Diagram 3

3. Install Log/Twig D on the left side of the burner, orient Log/Twig D across Log/Twig A in the same way and in a similar position as shown in Diagram 4.



Diagram 4

32 | installation

4. Install Log/Twig D on the right side of the burner, orient Log/Twig D to mirror Log D installed on the left as shown in Diagram 5.



Diagram 5

5. Install Log/Twig E on the left side of the burner, orient Log/Twig E across Log/Twig D in the same way and in a similar position as shown in Diagram 6.



Diagram 6

6. Install the opposite Log/Twig E orient Log/Twig E across Log/Twig D in the same way and similar position as shown in Diagram 7. (Mirrors Log E from previous step).



Diagram 7

7. Install Log/Twig B on the left side, orient Log/Twig B in the same way and in a similar position as shown in Diagram 8.



Diagram 8

- Install the opposite Log/Twig B on the right side of the burner , orient Log/Twig B in the same way and in a similar position as shown in Diagram 9 (mirror Log B as installed on the left side).



Diagram 9

- Install Log/Twig C on the left side of the burner, orient Log/Twig C in the same way and in a similar position as shown in Diagram 10

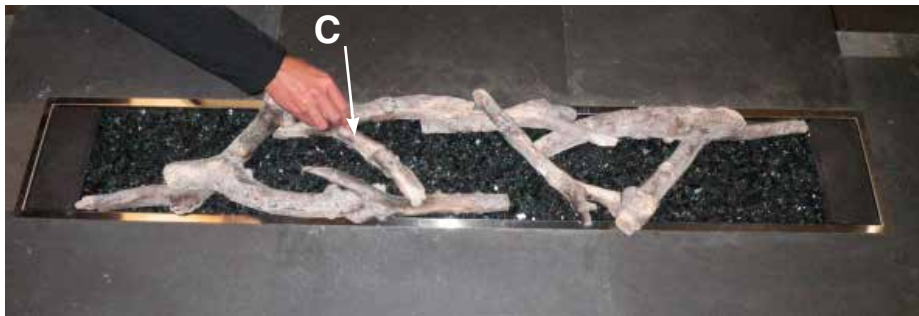


Diagram 10

- Install the opposite Log/Twig C on the right side of the burner, orient Log/Twig C in the same way and in a similar position as shown in Diagram 11 (mirror Log C as installed on the left side).

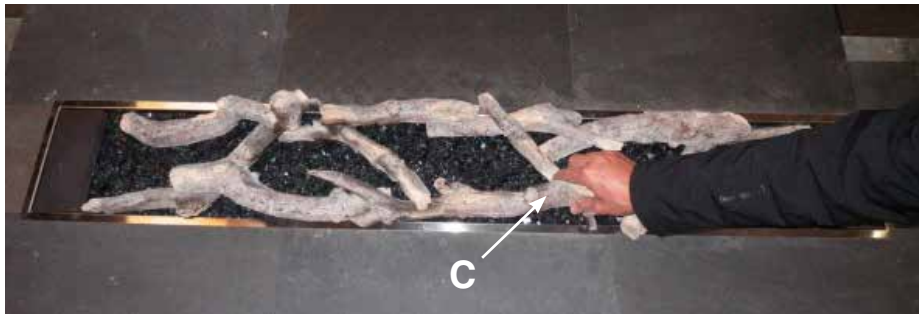


Diagram 11

- Install Log/Twig F on the left side of the burner, orient Log/Twig F in the same way and in a similar position as shown in Diagram 12.



Diagram 12

12. Install the opposite Log/Twig F on the right side of the burner, orient Log/Twig F in the same way and in a similar position as shown in Diagram 13 (mirror Log F as installed on the left side).



Diagram 13

13. Completed install shown below.



Diagram 14

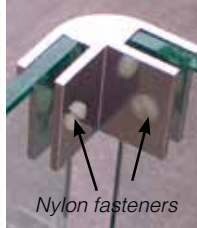
WARNING: Failure to position the parts in accordance with these diagrams or failure to use only parts specifically approved with this appliance may result in property damage or personal injury.

OPTIONAL GLASS SURROUND/WINDSHIELD INSTALLATION PTO50

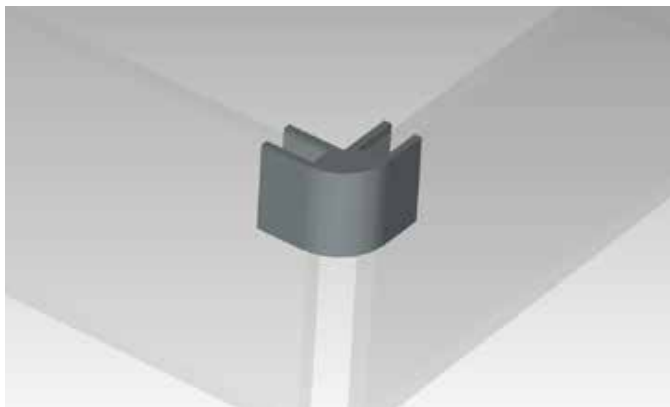
4 Piece Glass Surround

PTO 50
Part N° 647-932
Overall Dimensions: 58-15/16" long x 16-5/16" wide x 5-5/16" high

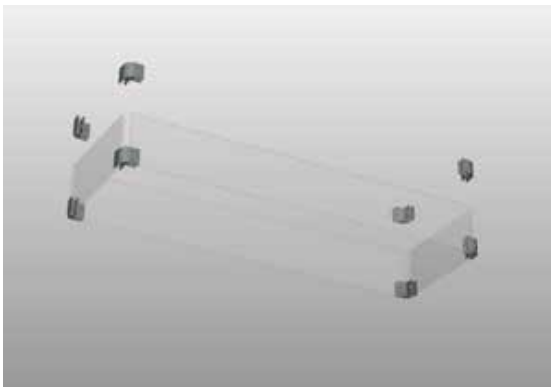
1. Remove metal fasteners from the corner brackets.
2. Assemble the 4 pieces of the glass surround/windshield and fasten together with 4 corner top brackets and supplied nylon fasteners as shown below.



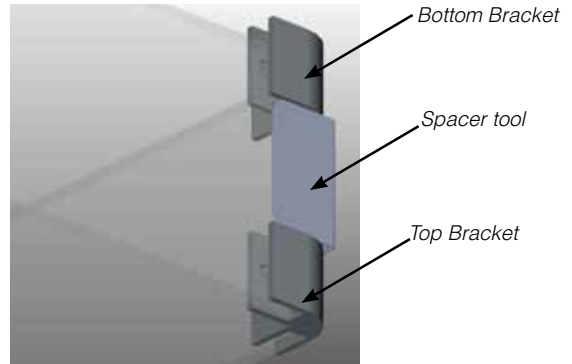
3. Using a flat screwdriver, secure 4 top corner brackets with nylon fasteners in each corner, bracket should be flush with the top of glass as shown below.



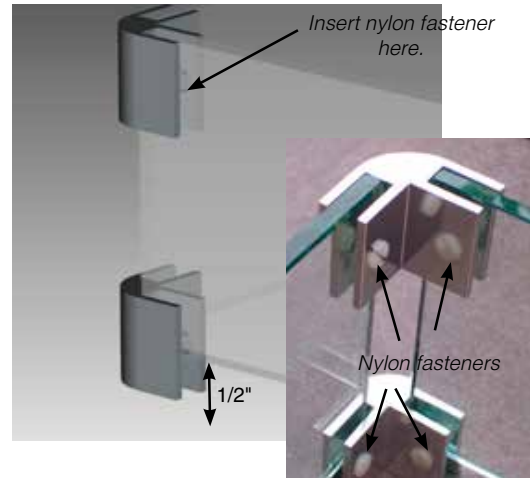
- 4a. After the 4 top brackets are installed - flip over and place on a soft surface, to install the 4 bottom brackets.



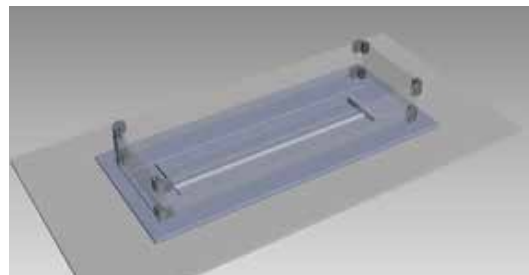
- 4b. Use supplied spacer tool to determine where the bottom bracket should be placed and secured.



5. Secure bottom corner brackets with nylon fasteners in each corner.
6. Flip the glass back over and place on a soft surface. The glass is now right side up. The glass should be raised up 1/2" in bracket as shown below.



7. Place assembled glass surround/windshield on table top - ensure glass is centered on the table top. Once in correct position, lift up one end, apply double sided tape that has been cut to size, to the bottom of the brackets. Repeat process on other end. Press down firmly from top to secure glass surround/windshield in position. Use care not to scratch surfaces.



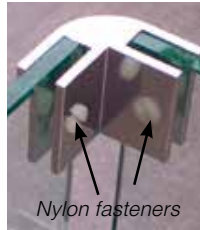
OPTIONAL GLASS SURROUND/WINDSHIELD INSTALLATION PTO100

6 Piece Glass Surround

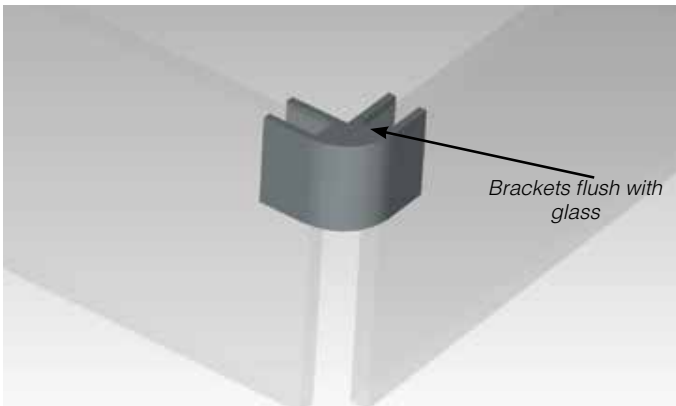
NOTE: Due to the size/weight of this glass barrier--to avoid any breakage, have 2 people available to complete this installation.

PTO 100 (2 x PTO50)
Part N° 647-942
Overall Dimensions: 116-1/2" long x 16-5/16" wide x 5-5/16" high

1. Remove metal fasteners from the corner brackets.
2. Assemble the 3 pieces of the glass surround/windshield.



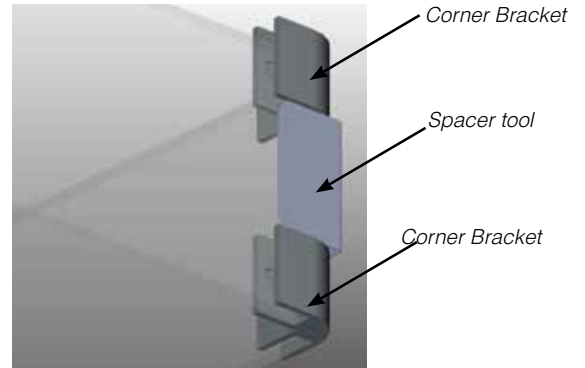
3. Using a flat head screwdriver secure the 2 corner brackets with the nylon fasteners in each corner. The corner brackets should be flush with the top of the glass..



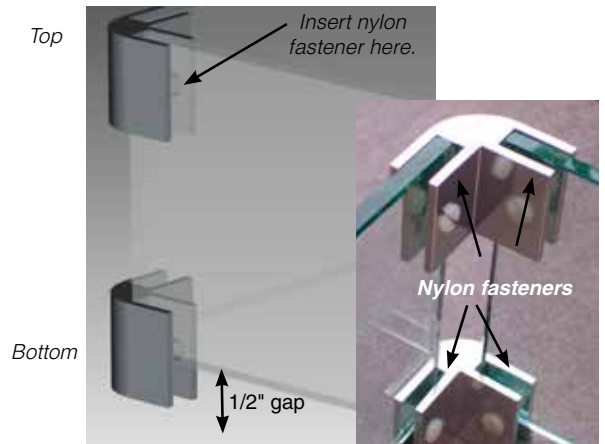
- 4a. After the 2 top brackets are installed--gently flip over both sides over and place on a soft surface, to install the 2 bottom brackets on each side.



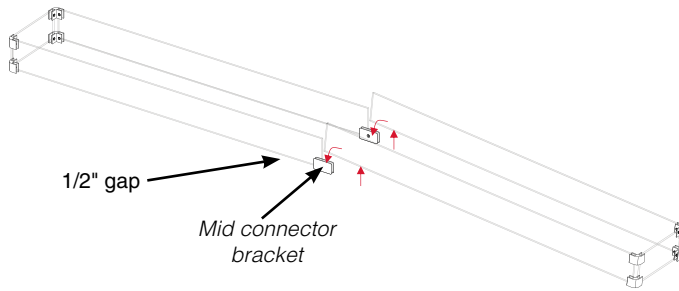
- 4b. Use supplied spacer tool to determine where the bottom bracket should be placed and secured.



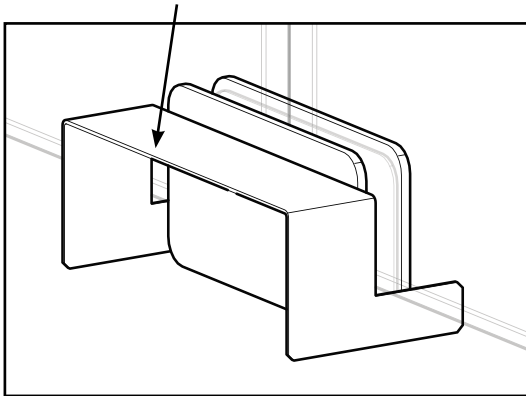
5. Secure corner brackets with nylon fasteners in each corner.
6. Flip both section of glass over again and place on a soft surface. The glass is now right side up. The glass assembly should be sitting up 1/2" in bracket, away from table top as shown below.



- Set the mid connector brackets in between the 2 assembled glass windshields horizontally as shown below. Lift each end independently and slide into position in the bracket. When the tops of both sections are even, tighten the 2 Phillips head screws located on the mid connector. Maintain the 1/2" gap between the glass and the table top throughout the glass surround.



Use the supplied jig to support the 2 glass sections when installing the Mid connector bracket-this will keep the 2 glass sections level







- Place assembled glass surround/windshield on table top - ensure glass is centered around burner. Once in correct position, carefully lift up one end, apply double sided tape that has been cut to size, to the bottom of the corner brackets. Repeat process on other end. Press down firmly from to secure glass surround/windshield in position. Use care not to scratch surfaces.
- Use the polyester weather cover when not operating the appliance by sliding the cover over the glass surround on all 4 corners. Never operate the appliance with the polyester cover in place. This cover must be removed when the appliance is in use.

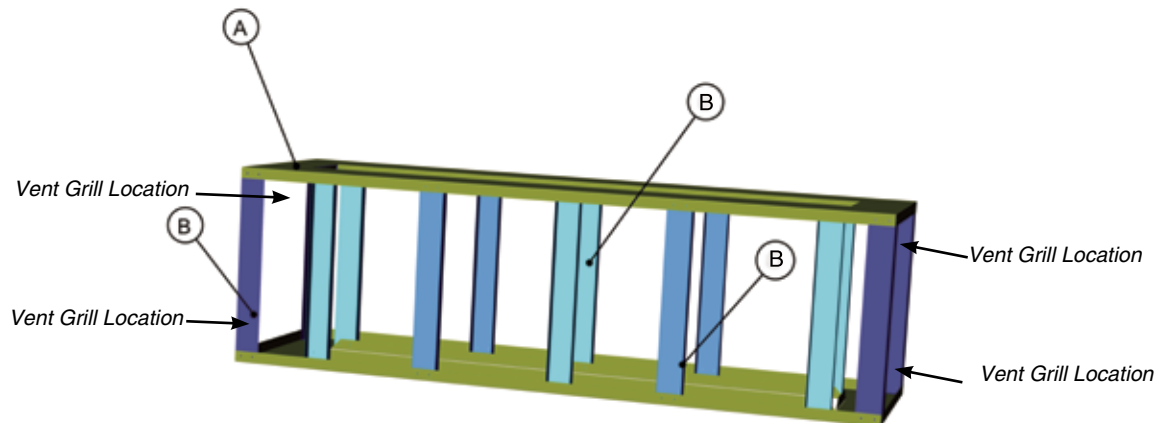
ASSEMBLY INSTRUCTIONS FOR A STEEL STUD TABLE FRAMING KIT FOR PTO50

Follow these instructions to construct a steel stud table for the PTO50 burner;
Overall dimensions = 24" W x 24" H x 69" L.

**Non-combustible finishing board not supplied with kit. Board may be purchased at your local hardware/building supply store.

Tools Required	
1 power drill + #2 phillips bit	
1 hand #2 screwdriver (Phillips)	
1 level	
1 tape measure	

KIT CONTENTS:	
Top / Bottom	(A) x 2
Vertical Supports - Corner	(B) x 4
Vertical Supports - Inner	(B) x 6
Vertical Supports - Outer	(B) x 4
Wafer Screws	80
Vent (377-060)	2 x Upper
Vent (377-061)	2 x Lower



Note: For the 100" burner - Four (4) ventilation grills are required for all enclosures when joining two PTO50s together. This is to alleviate moisture and allow for air to circulate. Minimum recommended size 20"sq (508mm²) ea. The ventilation grills must be located at the ends of the burner in locations shown above.

1. Position each corner vertical support on lower frame and secure with four (4) screws each.



Diagram 1 - Corner supports on lower frame.

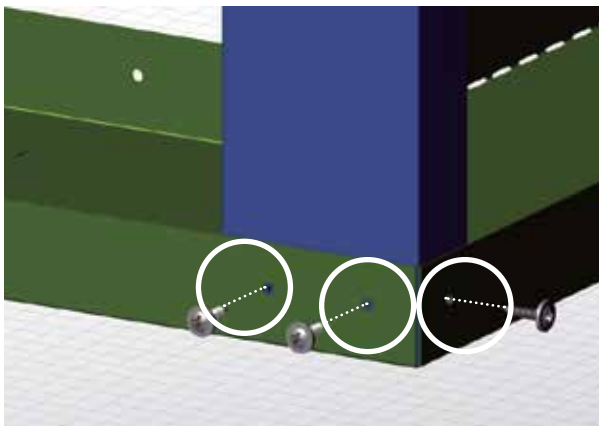


Diagram 2 - Corner supports screw locations

2. Place top frame onto corner vertical supports and secure to each support with four (4) screws.



Diagram 3 - Corner supports with top frame

3. Install six (6) inner vertical supports - secure each support with two (2) screws to top frame and two (2) screws to bottom frame.

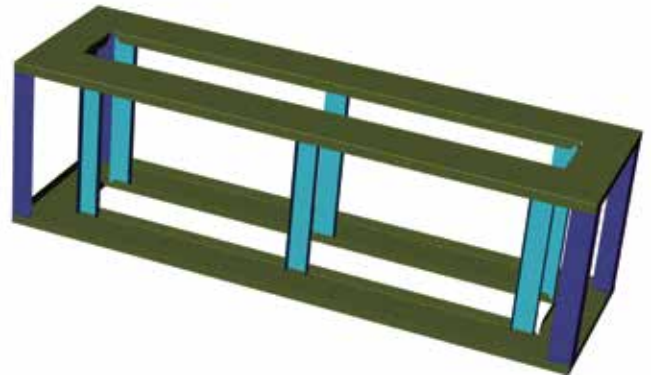


Diagram 4 - Inside vertical supports

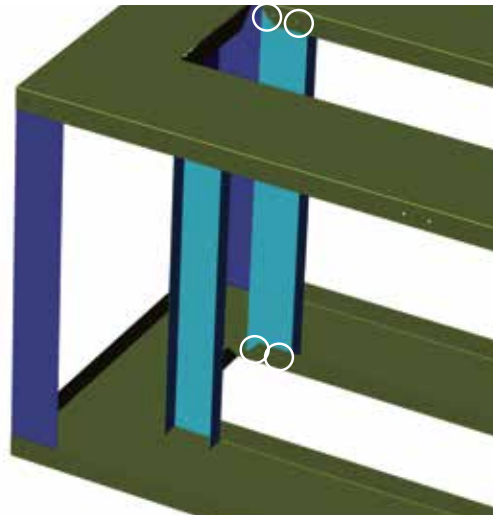


Diagram 5 - Inside vertical support screw locations

4. Install four (4) outer vertical supports - secure each support with two (2) screws to top frame and two (2) screws to bottom frame.

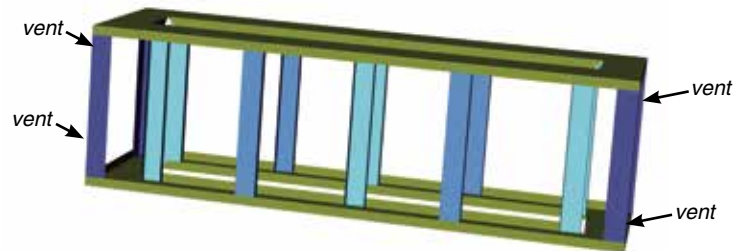


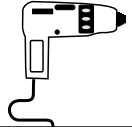
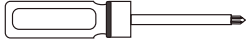


Diagram 6 - Outside vertical supports

ASSEMBLY INSTRUCTIONS FOR A STEEL STUD TABLE FRAMING KIT FOR PTO100

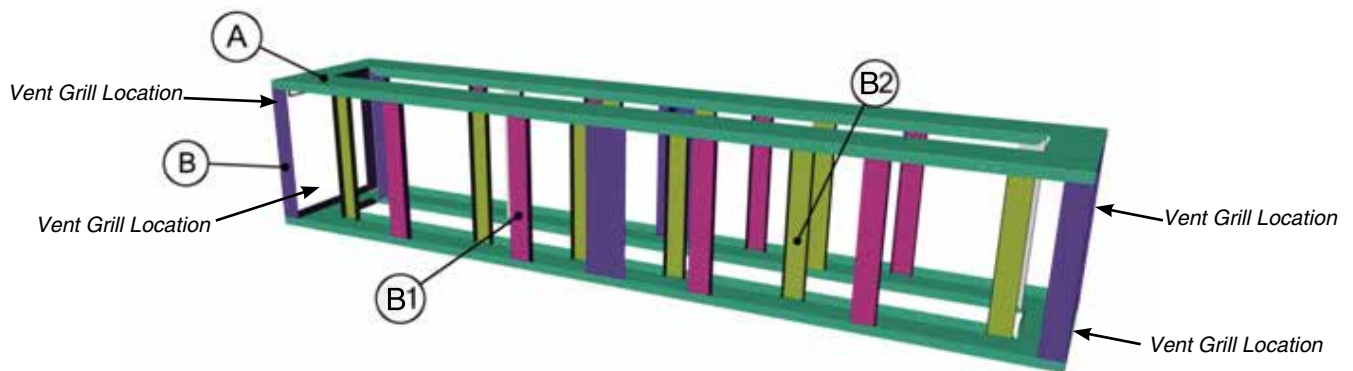
Follow these instructions to construct a steel stud table for the PTO100 burner (2 x PTO50 assembled end to end); 2 PTO50 framing kits are required to complete this assembly.

Overall dimensions = 24" W x 24" H x 119" L.

**Non-combustible finishing board not supplied with kit. Board may be purchased at your local hardware/building supply store.

Tools Required	
1 power drill + #2 phillips bit	
1 hand #2 screwdriver (Phillips)	
1 level	
1 tape measure	

KIT CONTENTS (646-900x2):	
Top / Bottom	(A) x 4
Vertical Supports - Corner	(B) x 8
Vertical Supports - Outer	(B1) x 8
Vertical Supports - Inner	(B2) x 12
Wafer Screws	160
Vent (377-060)	4 x Upper
Vent (377-061)	4 x Lower



Note: For the 100" burner - Four (4) ventilation grills are required for all enclosures when joining two PTO50s together. This is to alleviate moisture and allow for air to circulate. Minimum recommended size 20"sq (508mm²) ea. The ventilation grills must be located at the ends of the burner in locations shown above.

1. Identify all 4 Part As from both kits. Cut along the perforation on each set so the modified tops and bottoms will be opposing one another as shown below.

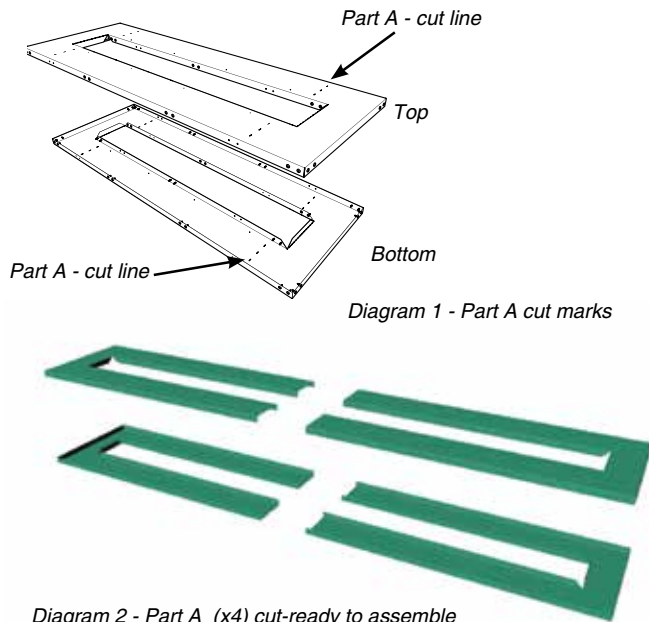


Diagram 2 - Part A (x4) cut-ready to assemble

2. Position each corner vertical support (Part B) on lower frame and secure with four (4) screws each.

NOTE: Use the new holes on the base for the vertical supports closest to the centre.

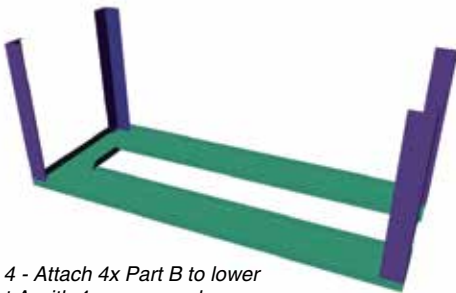


Diagram 4 - Attach 4x Part B to lower Part A with 4 screws each

Diagram 3 - Corner supports on lower frame.

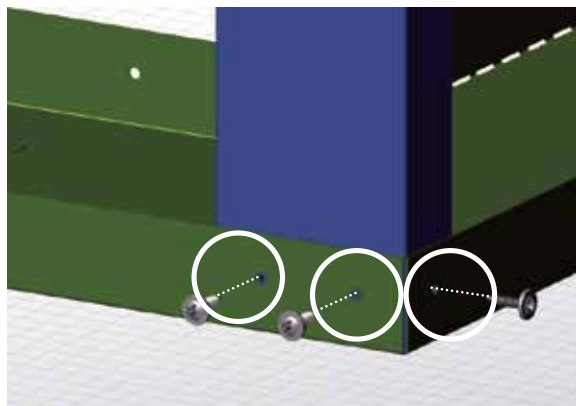


Diagram 4 - Corner supports (Part B) screw locations

3. Place top frame (Part A) onto corner vertical supports and secure to each vertical support (Part B) with four (4) screws.

4. Install six (6) inner vertical supports (B2) - secure each support with two (2) screws to top frame and two (2) screws to bottom frame.



Diagram 5 - Install Inside vertical supports

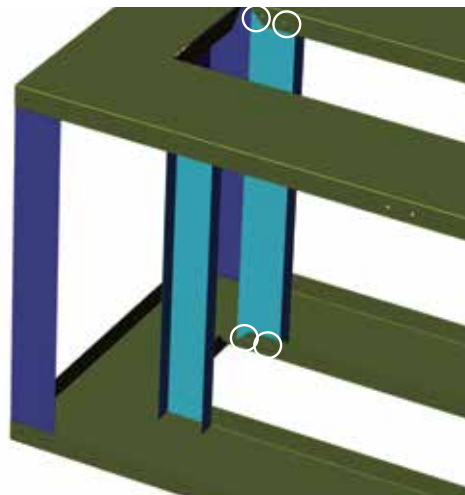


Diagram 6 - Inside vertical support (B2) screw locations

5. Install four (4) outer vertical supports (B1) - secure each support with two (2) screws to top frame and two (2) screws to bottom frame.



Diagram 7 - Install outside vertical supports (B1) with 4 screws each

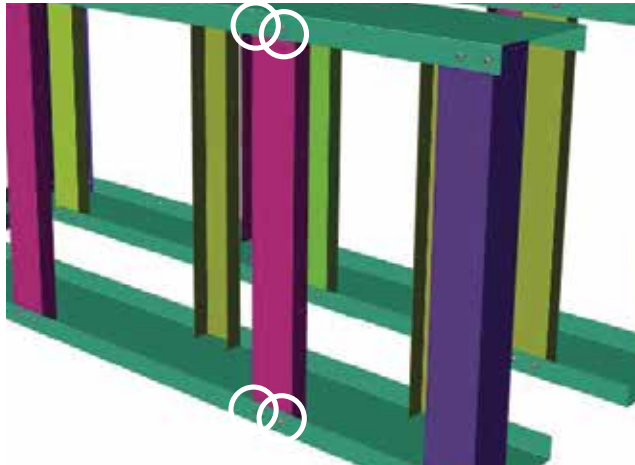


Diagram 8- Outside vertical supports (B1) with screws locations

6. Repeat Steps 2-5 on the opposing 1/2 section of the frame.
7. Bring the opposing assembled framing sections together and join with 4 screws through both centre (Part Bs) on each side..

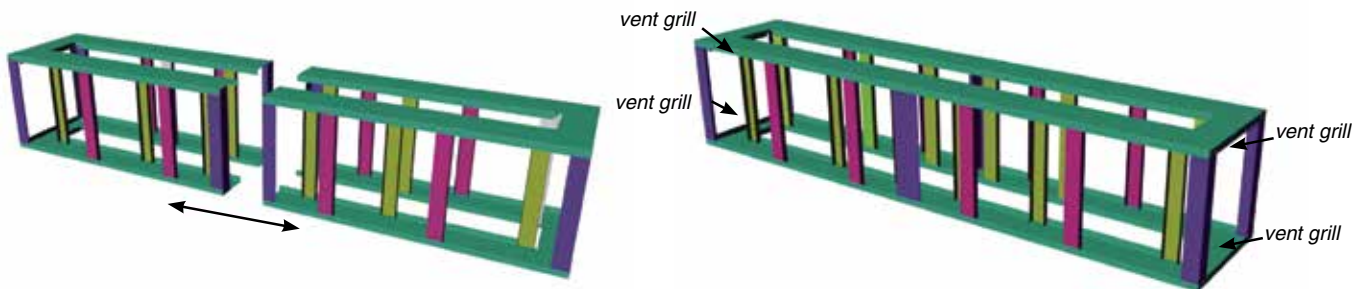


Diagram 9- Bring 2 assembled sections together.

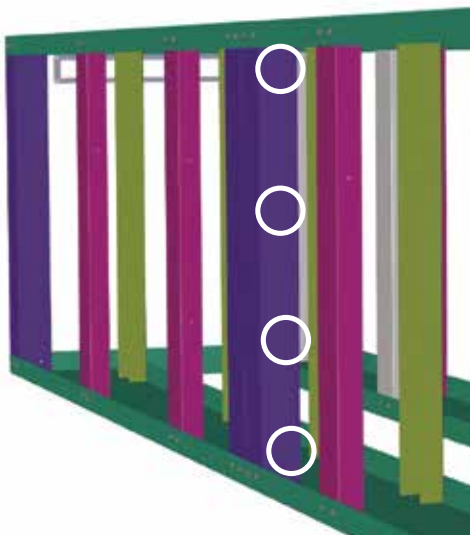


Diagram 10- Secure sections together with 4 screws through both inner corner Part Bs

OPERATING INSTRUCTIONS

1. Read and understand these instructions before operating this appliance.
 2. Check to see that all wiring is correct and enclosed to prevent possible shock.
 3. Check to ensure there are no gas leaks.
 4. **Verify log placement. If the pilot cannot be seen when lighting the unit, the logs have been incorrectly positioned.**
 5. The unit should never be turned off, and on again without a minimum of a 60 second wait.
-

FIRST FIRE

The first fire in your decorative gas appliance is part of the paint curing process. To ensure that the paint is properly cured, it is recommended that you burn your decorative gas appliance for at least one (1) hours the first time you use it.

When first operated, the unit will release an odour caused by the curing of the paint, the burning off of any oils remaining from manufacturing.

DO NOT ATTEMPT TO CLEAN THE GLASS WHILE IT IS HOT.

LIGHTING PROCEDURE

1. Turn on ON/OFF switch.
2. After approximately 4 seconds the spark ignition system will spark for 60 seconds to light the main burner.
3. The unit will turn on.

Note: The first try for ignition will last approximately 60 seconds. If there is no flame ignition (rectification) the board will stop sparking for approximately 35 seconds. After wait time, the board will start second try for ignition by sparking for approximately 60 seconds. If there is still no positive ignition the board will go into lock out.

The system will need to be reset as follows:

- a. Turn the system off using ON/OFF switch.
 - b. After approximately 2 seconds turn on ON/OFF switch.
 - c. Unit will repeat step 2.
-

SHUTDOWN PROCEDURE

1. Turn ON/OFF switch.
2. If service is to be performed - you must disconnect power to the unit, by removing the battery pack.

COPY OF LIGHTING PLATE INSTRUCTIONS

The lighting plate is located on the underside of the table top on the unit.

<p>FOR YOUR SAFETY READ BEFORE LIGHTING This appliance must be installed in accordance with local codes, if any. If none, follow the National Fuel Gas Code, ANSI Z223.1/NFPA 54, or other applicable codes.</p> <p>WARNING: If you do not follow these instructions exactly, a fire or explosion may result causing property damage, personal injury or death.</p> <p>Additional information: For assistance or additional information consult a qualified installer, service agency or the gas supplier.</p> <p>AVERTISSEMENT: Quiconque ne respecte pas à la lettre les instructions dans la présente notice risque de déclencher un incendie ou une explosion causant des dommages matériels, des blessures ou des dommages matériels.</p> <p>Une installation, d'ajustement, de modification, de service ou de réparation doit être effectuée par un technicien qualifié, une agence de service ou un fournisseur de gaz.</p>	<p>CAUTION: Hot, while in operation. Do not touch. Burns may result. Keep children, infants and pets away from burner and control compartment clean.</p> <p>Hot, while in operation. Do not touch. Burns may result. Keep children, infants and pets away from burner and control compartment clean.</p> <p>INSTRUCTIONS - Do not touch any electric switch, do not use any phone in your building. - Immediately call your gas supplier from a neighbour's phone. Follow the gas supplier's instructions. - No gas (either to allow the ventilator to operate) until the odor of gas has completely disappeared. - If you smell gas, do not use any electrical appliances. Call your gas supplier immediately. - Do not touch any electrical appliance. - If you smell gas, do not use any electrical appliances. Call your gas supplier immediately.</p> <p>ODOR DE GAZ: - Ne touchez à aucun interrupteur, n'utilisez pas de téléphones se trouvant dans le bâtiment. - Appelez immédiatement votre fournisseur de gaz depuis un voisin. Suivez les instructions du fournisseur. - Si vous ne pouvez pas répondre le fournisseur de gaz, appelez le service incendies.</p>	<p>TO TURN OFF GAS APPLIANCE</p> <p>1) Turn off ON/OFF switch 2) Turn off ON/OFF switch 3) Turn off ON/OFF switch</p> <p>TO TURN OFF GAS APPLIANCE</p> <p>1) Appuyez sur l'interrupteur ON / OFF 2) Appuyez sur l'interrupteur ON / OFF 3) Appuyez sur l'interrupteur ON / OFF</p>
<p>WHAT TO DO IF YOU SMELL GAS</p> <p>A) This appliance is equipped with an ignition device which automatically lights the pilot. Do not try to light the burner. If you smell gas, follow the following instructions:</p> <p>B) If you smell gas, follow the following instructions:</p> <p>- Do not touch any electric switch, do not use any phone in your building. - Immediately call your gas supplier from a neighbour's phone. Follow the gas supplier's instructions. - No gas (either to allow the ventilator to operate) until the odor of gas has completely disappeared. - If you smell gas, do not use any electrical appliances. Call your gas supplier immediately.</p>	<p>LIGHTING INSTRUCTIONS</p> <p>STOP! Read the safety information on this label.</p> <p>1) Turn on ON/OFF switch 2) After approximately 4 seconds the spark ignition system will spark. If there is no flame ignition (recognition) the board will stop sparking for approximately 35 seconds. After this wait time, the board will start sparking again. If there is still no positive ignition after the second attempt the board will go into lock out mode. 3) The unit will turn on.</p> <p>Notes: The first attempt to ignition will last approximately 60 seconds. If there is no flame ignition (recognition) the board will stop sparking for approximately 35 seconds. After this wait time, the board will start sparking again. If there is still no positive ignition after the second attempt the board will go into lock out mode.</p> <p>a) Wait 5 minutes - turn the system off using ON/OFF switch b) After approximately 2 seconds turn on ON/OFF switch c) Unit will repeat step 2.</p>	<p>1) Appuyer sur l'interrupteur ON / OFF 2) Appuyer sur l'interrupteur ON / OFF 3) Appuyer sur l'interrupteur ON / OFF</p> <p>1) Appuyez sur l'interrupteur ON / OFF 2) Appuyez sur l'interrupteur ON / OFF 3) Appuyez sur l'interrupteur ON / OFF</p>
<p>THIS INSTRUCTION PLATE E183893</p>		

MAINTENANCE INSTRUCTIONS

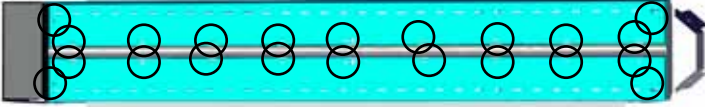
1. Always turn off the gas valve and unplug the batteries before cleaning. For relighting, refer to lighting instructions. Keep the burner and control compartment clean by brushing and vacuuming at least once a year. When cleaning the logs, use a soft clean paint brush as the logs are fragile and easily damaged.
2. Clean off leaves etc. before burning.
3. Clean appliance with a damp cloth (never when unit is hot). Never use an abrasive cleaner. The glass should be cleaned with a outdoor decorative gas appliance glass cleaner.
4. Hand and finger marks should be cleaned off with a soft cloth and a stainless steel cleaner. Most stainless steel cleaners leave a film/residue on the surface of the panels. Use an ammonia based cleaner (ie. glass cleaner) to remove this film before applying heat to the unit. Failure to do this will result in burn stains on panels which you will be unable to remove.
5. The heater is finished in a heat resistant paint and should only be refinished with heat resistant paint. Regency® uses StoveBright Paint - Metallic Black #6309 (Part #938-110).
6. Make a periodic check of burner for proper position and condition. Visually check the flame of the burner periodically, making sure the flames are steady; not lifting or floating. If there is a problem, call a qualified service person.
7. Do not use this appliance if the valve and/or electronic components have been or are submerged under water. Immediately call a qualified service technician to inspect the appliance and to replace any part of the control system and any gas control which has been under water. This is not covered under the terms of the warranty policy.
8. Verify operation after servicing.

VALVE ASSEMBLY REPLACEMENT

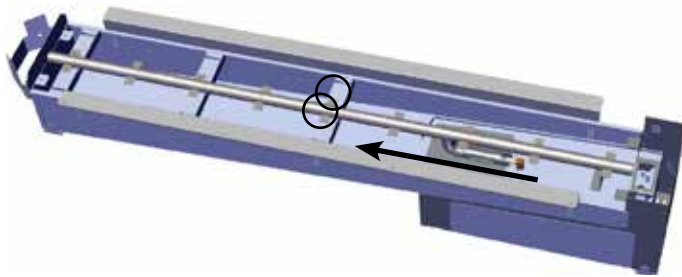
Turn the unit off and allow to cool to room temperature.

1. Turn off gas supply

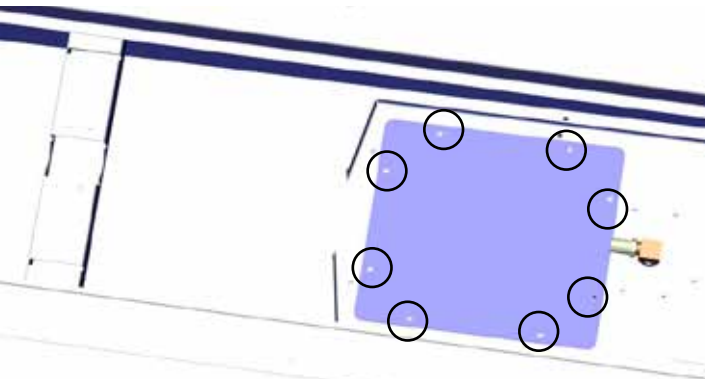
2. Remove the pilot shield.
3. Remove glass crystals and log set, if installed.
4. Locate and remove 22 screws to remove the burner tray.



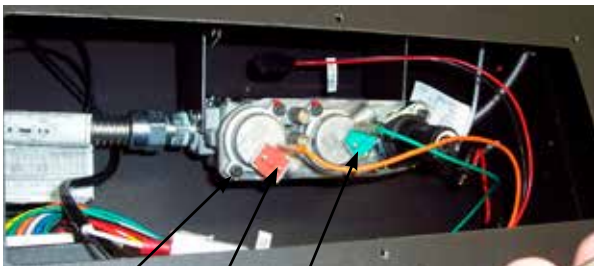
5. Lift burner tray off.
6. Remove 2 screws and slide burner tube to the left (away from the orifice) to remove.



7. Remove 8 screws on valve access cover.

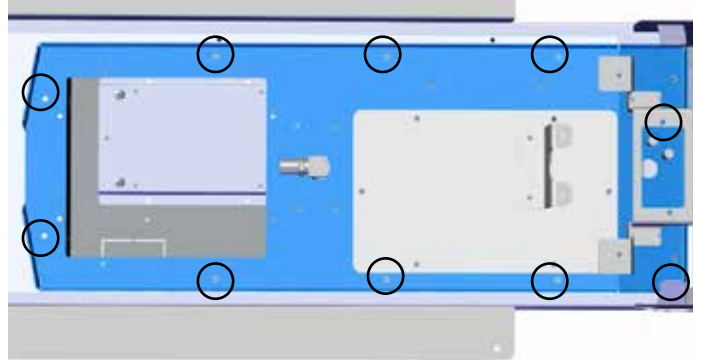


8. Turn off gas supply and remove flex connection at valve.
9. Remove orange EV1 wire and ground wire connected to the gas valve.
10. Remove green EV2 wire connected to the gas valve.

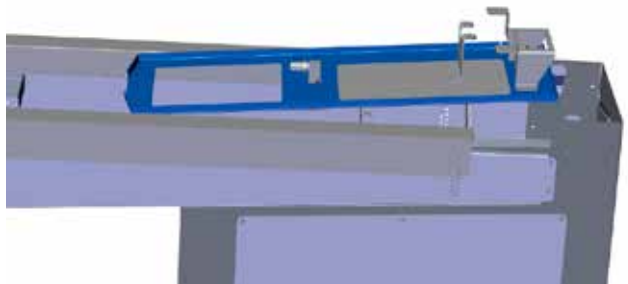


Ground wire location (Ground wire not shown)
EV1
EV2

11. Remove 10 screws securing valve assembly.



12. Lift valve assembly up and out.



13. Remove both yellow/green ground wires from valve and valve bracket.



14. Replace valve assembly gasket if necessary.
15. Rotate HI/LO modulating valve all the way to the left for HI position.
16. Install new valve assembly and reverse steps 11-1.
17. Test gas connections for leaks.

GAS MAINTENANCE

In order for your Regency appliance to continue to provide comfort to your home periodic maintenance must be performed to ensure it is operating at peak efficiency. The items in the list should be checked by a licensed gas service technician during the annual service check. Your unit may require more frequent maintenance checks if you notice any changes in how it operates. Operational changes to look for can include, but are not limited to, extended start up time, increased fan noise, residue/carbon build up, white build up on the glass/firebox, increased operating noise etc. Should any of these or other conditions arise, discontinue use and schedule a service check with your local licensed gas technician. The list below shows items your licensed service technician will need to check and service at least annually.

Clean

- Glass
- Interior bricks / panels
- Burner ports & burner air shutter
- Fan blades
- Log set
- Pilot orifices
- Pilot hood (change as needed)
- Flame sensor (electronic ignition models)
- Flame electrode
- Burner orifice
- Thermocouple (millivolt models)
- Thermopile (millivolt models)

Inspect

- Pilot assembly
- Burner
- Pressure relief gaskets/doors
- Flue connector gasket if present
- Door seal
- Firebox
- Venting
- Batteries (remote handheld, remote receiver, DC sparker, change as needed)
- Burner media (change as needed)
- Air shutter setting
- Wiring

Check

- Voltage on thermocouple/thermopile (millivolt models)
- Ohms reading on flame sense (electronic ignition models)
- Inlet/outlet fuel pressures as per rating plate
- Voltage/ohms readings on gas valve
- Ohms reading to on/off switch circuit (Millivolt models)

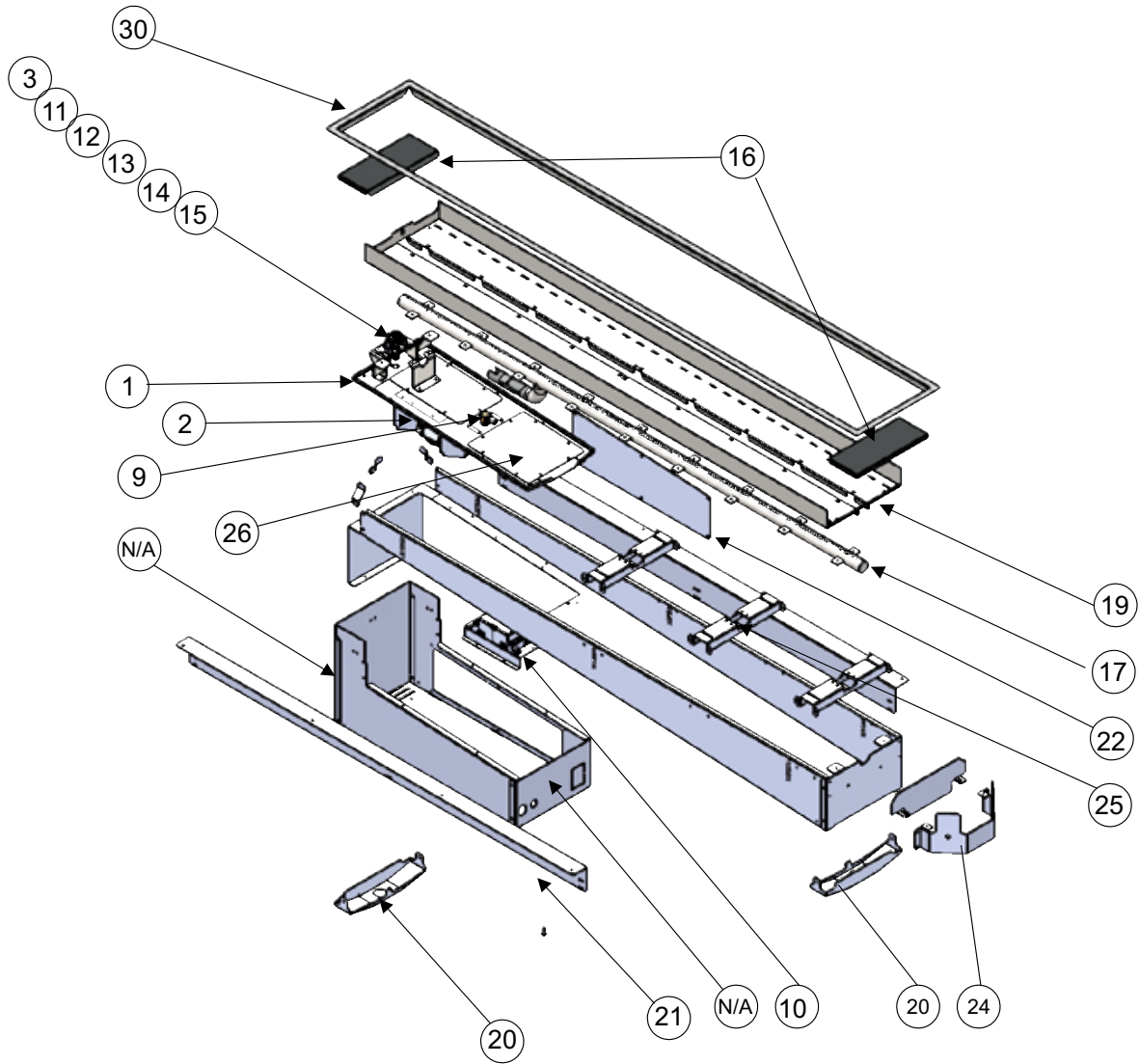
Gas Leak Tests

- Check main gas line connection to valve
- Check shut off valve connections
- Check connection at gas valve outlet
- Check connection at main burner orifice
- Check pilot fuel line at valve and at pilot assembly

PARTS

1	647-574/P	Valve Assembly - NG
1	647-576/P	Valve Assembly - LP
2	911-004	Valve Only NG 886 SIT IPI 0.886.002
2	911-005	Valve Only LP 886 SIT IPI 0.886.003
3	911-276	Pilot Assembly IPI NG 2 Flame 0.199.067
3	911-007	Pilot Assembly IPI LP 2 Flame
9	905-012	Burner Orifice #11 NG
9	904-430	Burner Orifice #42 LP
10	911-265	Ignition Control Board (DFC) SIT IPI 0.584.622
11	911-037	Flame Sensor 0.915.905
12	911-038	Flame Electrode 0.915.020
13	910-432	Novasit Pilot Tubing With Nuts
14	911-039	Two Way Pilot Hood
15	911-137	Pilot Hood Clip
16	647-519	Pilot Shield (Each)
17	646-525	Burner Tube Assembly - NG/LP
19	646-030	Stainless Steel Burner Tray
20	377-054	Drainage Bracket
21	646-032	Nailing Strips (Each)
22	377-047	Valve Side Cover Plate
23	377-048	Pilot Shield Support Bracket
24	377-087	Offset Bracket
25	377-024	Burner Tube Support (Each)
26	377-052	Component Top Cover Plate
30	646-936	Inner Trim Stainless Steel PTO50
	N/S = Not shown	
N/S	911-008	Regulator - NG For 886 SIT .907.016
N/S	911-009	Regulator - LP For 886 SIT 907.014
N/S	910-036	Orifice SIT Pilot - NG #51 977.165
N/S	910-101	Orifice SIT Pilot - LP #35 977.168
N/S	911-013	Valve Wiring Harness With IPI/CPI Switch 0.584.912
N/S	911-019	On/Off Switch Wire
N/S	911-086	Wire 9 Volt Battery Extension
N/S	904-529	Allen Key 5/32 Long
N/S	846-698	Gasket Silicone Sponge 3/16" x 1/2" (12') (260350)
N/S	908-529	Label Natural Gas

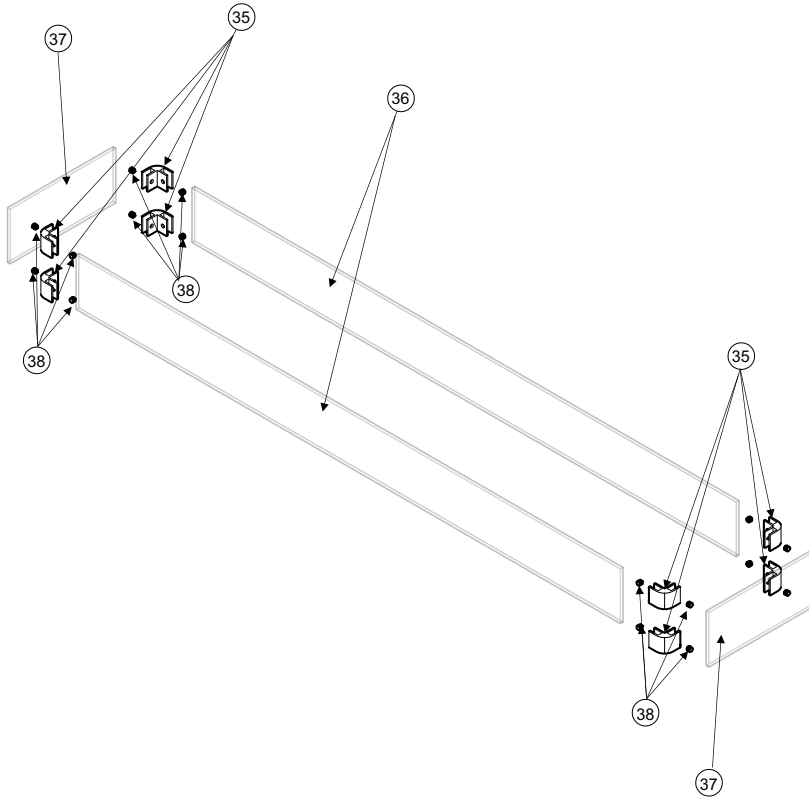
N/S	908-528	Label Propane Red
N/S	904-687	Connector Clamp 3/8 CI-804
N/S	911-018	Holder Battery W/9V Snap 4 Cell Stack AA
N/S	932-012	Tubing SS Flexible 3/8 x 12 inch
N/S	904-629	Fitting Elbow 90 Degree Forged (Valve Outlet End)
N/S	904-600	Fitting Elbow 90 Degree (Burner Orifice End)
N/S	904-899	Fitting Straight Adaptor 1/8 Pipe MxF1.515in. (Burner Orifice End)
N/S	904-658	Inlet Flex Line Gas SS Steel 24 inch
N/S	911-087	Double Gang Front Cover
N/S	911-088	Double Gang Box Grey
N/S	910-363	Wall Switch White
N/S	910-179	Plastic Snap Bushing 3/4" (Hardwire Kit)
N/S	911-231	Electric Duct Plastic Cover (Hardwire Kit)
N/S	911-232	GFCI Outlet 15 Amp 125 Volt Duplex (Hardwire Kit)
N/S	911-233	Blank Adaptor Plate White (Hardwire Kit)
N/S	911-088	Box Switch Rectangular Two Gang (Hardwire Kit)
N/S	911-090/P	Power Adaptor AC/DC 7V 0.584.851 (Hardwire Kit)
N/S	910-178	Grommet Strain Relief (Hardwire Kit)



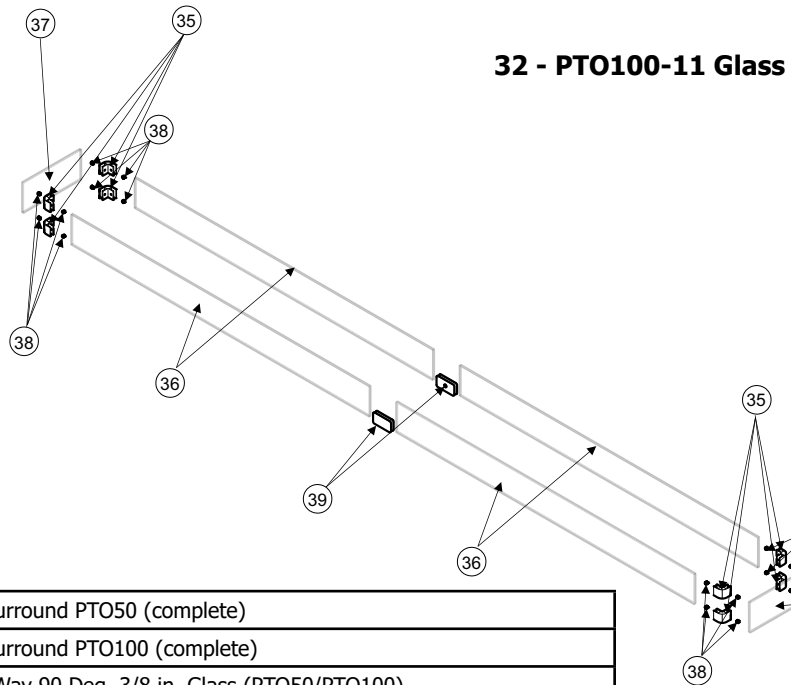
NOTE: Two PTO50s can be joined end to end = PTO100
 A PTO50 can be joined to a PTO30 = PTO80

N/S	646-900	Steel Stud Framing Pkgd PTO50
N/S	646-934	Burner Cover PTO50
N/S	646-950	Hardwire Kit PTO50
N/S	646-969	Conversion - LP PTO50
N/S	326-930	Ceramic Log Set Outdoors
N/S	946-775	Fireglass Black Reflective 1/4in. 5Lb Pkg
N/S	946-776	Fireglass Copper 1/4 in. 5Lb Pkg
N/S	946-777	Fireglass Starfire 1/4 in. 5Lb Pkg
N/S	946-739	Fireglass Black 1/4 in. 5Lb Pkg
N/S	946-740	Fireglass Sangria Luster 1/4 in. 5Lb Pkg
N/S	946-741	Fireglass Glacier Ice 1/4 in. 5Lb Pkg
N/S	946-742	Fireglass Carmel Luster 1/4 in. 5Lb Pkg
N/S	377-946	Ventilation Grill Kit - 2 pieces (1 set)
N/S	377-948	Ventilation Grill Kit - 4 pieces (2 sets)

31 - PTO50-11 Windshield



32 - PTO100-11 Glass Windshield



31	647-932	Wind Shield Glass Surround PTO50 (complete)
32	647-942	Wind Shield Glass Surround PTO100 (complete)
35	948-053	Nickel Connector 2-Way 90 Deg. 3/8 in. Glass (PTO50/PTO100)
36	940-487/P	Tempered Glass Sides (Each) 5" X 57 1/4" (PTO50/PTO100)
37	940-532/P	Tempered Glass Sides (Each) 5" X 11 1/8 " (PTO50/PTO100)
38	904-952	Nylon Screws (Each)
39	948-086	Nickel Connector 2-Way Straight. 3/8 in. Glass (PTO100)
N/S	646-046	Jig PTO100 Wind Shield Glass Surround
N/S	376-026	Spacer Glass Bracket Plateau
N/S	646-048	Polyester Cover Black (PTO50)

Outdoor Gas Product Warranty

Limited Warranty

FPI Fireplace Products International Ltd. (for Canadian customers) and Fireplace Products US, Inc. (for US customers) (collectively referred to herein as "FPI") extends this Limited Warranty to the original purchaser of this Appliance provided the product remains in the original place of installation. The items covered by this Limited Warranty and the period of such coverage are set forth in the table below.

An Appliance in this policy is defined as an Outdoor Gas Burner, Outdoor Gas Fireplace, Outdoor Gas Table.

This Appliance has only been certified and listed for use outdoors.

Some conditions apply (see below).

This Limited Warranty starts on the day the Appliance was purchased.

The Limited Warranty is not transferable, amendable or negotiable under any circumstances.

Outdoor Gas Products	Component Coverage		Subsidized Labor Coverage*
	2 years	1 year	1 year
Burner tube assembly Valve assembly Pilot assembly Flame sensor/Spark electrode	✓		✓
Ignition Control Boards	✓		✓
Wiring/Switches/Battery Pack/Batteries	✓		✓
Pilot Tube/Burner and Pilot Orifices	✓		✓
All hardware including wheels and rubber feet	✓		✓
Weather covers	✓		✓
Thermocouple		✓	✓
Electrical components		✓	✓
Tempered Glass		✓	✓
All media		✓	✓
Stainless components/ Paint/Gaskets/ All finishes/Plated Corners			
Fireboxes (defect in manufacture)	✓		✓

Note: Warranty coverage noted above may not be applicable as components/options vary based on appliance purchased.

Conditions:

Warranty protects against defect in manufacture or FPI factory-assembled components only, unless herein specified otherwise.

***This warranty does not cover dealer travel costs, mileage, fuel, tolls for diagnostic or service work. All labor rates paid to authorized dealers are subsidized, pre-determined rates. Dealers may charge you for travel and additional time beyond their subsidy.**

Any part(s) found to be defective during the warranty period as outlined above will be repaired or replaced at FPI's option through an accredited distributor, dealer or pre-approved and assigned agent provided that the defective part

is returned to the distributor, dealer or agent for inspection if requested by FPI. Alternatively, FPI may, at its own discretion, fully discharge all of its obligations under warranty by refunding the verified purchase price of the product to the original purchaser. The purchase price must be confirmed by the original Bill of Sale.

The authorized selling dealer, or an alternative authorized FPI dealer if pre-approved by FPI, is responsible for all in-field diagnosis and service work related to all warranty claims. FPI is not responsible for results or costs of workmanship of unauthorized FPI dealers or agents in the negligence of their service work.

At all times, FPI reserves the right to inspect reported in the field/on location complaints of products claimed to be defective before processing or authorizing any claim. Failure to allow this upon request will void the warranty.

All warranty claims must be submitted by the dealer servicing the claim, including a copy of the Bill of Sale (proof of purchase by you). All claims must be complete and provide full details as requested by FPI to receive consideration for evaluation. Incomplete claims may be rejected.

Replacement Appliances to the original purchaser are limited to one per warranty term.

The Appliance must be installed according to all manufacturers' instructions as per the manual. All Local and National required codes must be met.

The installer is responsible for ensuring the Appliance is operating as designed at the time of installation.

The original purchaser is responsible for the annual maintenance of the Appliance, as outlined in the owner's manual. As outlined below, the warranty may be voided due to problems caused by a lack of maintenance.

Purchased parts: Repair/replacement parts purchased by the consumer from FPI after the original coverage has expired on the Appliance will carry a **90-day** warranty from the purchase date, valid with a receipt only. Any item shown to be defective will be repaired or replaced at our discretion. No labor coverage is included with these parts.

If freight damage has been found either externally or internally, the dealer must be informed within 3 days. All claims as a result of damage must be submitted by the dealer servicing the claim, including a copy of the Bill of Sale (proof of purchase). All claims must be complete and provide full details as requested by FPI to receive consideration for evaluation. **Incomplete claims may be rejected.**

As this is a **2-year** Limited Warranty, if the Appliance needs to be replaced, the Appliance that was purchased at the time of sale might not be replaced with exactly the same model Appliance. In that case, FPI will replace your Appliance with one that is similar at the time of replacement under the terms of this Limited Warranty, but **ONLY** in the event that an item covered by the Limited Warranty is found to be defective. Please refer to the table on first page of this warranty for items covered by the Limited Warranty. Product changes might be the result of the original Appliance being discontinued, changes in regulatory requirements, product advancements, etc., which are beyond the control of FPI. **This Limited Warranty does not cover any installation costs, or costs associated with changes of required clearances for the replacement Appliance, hearth pads, mantles, facing and/or facing materials such as framing, completed walls made of drywall, wood, non-combustible board, tile, brick, stone, marble etc., venting/chimney systems, or components of the chimney system.**

If a suitable replacement is not available, FPI will refund **50%** of the purchase price of the Appliance and any applicable FPI accessories (faceplates, panels, media, etc.) purchased at the time of sale. **In no event will FPI refund any portion of the purchase price of, or reimburse costs associated with, any other items, including without limitation, installation of a new Appliance, changes of required clearances for a new Appliance, hearth pads, mantles, facing and/or facing materials such as framing, completed walls made of drywall, wood, non-combustible board, tile, brick, stone, marble etc., venting/chimney systems, or components of the chimney system. A copy of the receipt or bill of sale will be necessary to validate the purchase price.**

Exclusions:

This Limited Warranty does not extend to paint, rust or corrosion of any kind due to a lack of maintenance or improper venting, combustion air provision, corrosive chemicals (i.e. chlorine, salt, air, etc.), door or glass gasketing, or any other additional factory fitted gasketing, batteries, color fading, carbon/sooting of the log sets due to use.

Malfunction, damage or performance-based issues as a result of environmental conditions, location, chemical damages, downdrafts, installation error, an installation by an unqualified installer, incorrect chimney components (including but not limited to cap size or type), operator error, abuse, misuse, use of improper fuels, lack of regular maintenance and upkeep, acts of God, weather-related problems from hurricanes, tornados, earthquakes, floods, lightning strikes/bolts or acts of terrorism or war, which result in a malfunction of the Appliance are not covered under the terms of this Limited Warranty.

FPI has no obligation to enhance or modify any Appliance once manufactured (i.e. as products evolve, field modifications or upgrades will not be performed on existing Appliances).

This warranty does not cover dealer travel costs, mileage, fuel, tolls for diagnostic or service work. All labor rates paid to authorized dealers are subsidized, pre-determined rates. Dealers may charge you for travel and additional time beyond their subsidy.

Any Appliance showing signs of neglect or misuse will not be covered under the terms of this warranty policy and may void this warranty. This includes Appliances with rusted or corroded fireboxes that have not been reported as rusted or corroded within **three (3)** months of installation/purchase.

Appliances which show evidence of being operated while damaged, or with problems known to the purchaser and causing further damages will void this warranty.

Appliances where the serial no. has been altered, deleted, removed or made illegible will void this warranty.

Minor movement, expansion, and contraction of the steel is normal and is not covered under the terms of this warranty.

Freight damages for products or parts are not covered under the terms of the warranty.

Products made or provided by other manufacturers and used in conjunction with the FPI Appliance without prior authorization from FPI may void this warranty.

Limitations of Liability:

The original purchaser's exclusive remedy under this warranty, and FPI's sole obligation under this Limited Warranty, express or implied, in contract or in tort, shall be limited to replacement, repair, or refund, as outlined above. IN NO EVENT WILL FPI BE LIABLE UNDER THIS WARRANTY FOR ANY INCIDENTAL OR CONSEQUENTIAL COMMERCIAL DAMAGES OR DAMAGES TO PROPERTY. TO THE EXTENT PERMITTED BY APPLICABLE LAW, FPI MAKES NO EXPRESS WARRANTIES OTHER THAN THE WARRANTY SPECIFIED HEREIN. THE DURATION OF ANY IMPLIED WARRANTY IS LIMITED TO DURATION OF THE EXPRESSED WARRANTY SPECIFIED ABOVE. IF IMPLIED WARRANTIES CANNOT BE DISCLAIMED, THEN SUCH WARRANTIES ARE LIMITED IN DURATION TO THE DURATION OF THIS WARRANTY.

Some US states do not allow limitations on how long an implied warranty lasts, or allow exclusion or limitation of incidental or consequential damages, so the above limitations or exclusions may not apply to you.

Customers located outside the US should consult their local, provincial or national legal codes for additional terms that may apply to this warranty.

How to Obtain Warranty Service:

Customers should contact the authorized selling dealer to obtain warranty service. In the event the authorized selling dealer is unable to provide warranty service, please contact FPI by mail at the address listed below. Please include a brief description of the problem and your address, email, and telephone contact information. A representative will contact you to make arrangements for an inspection and/or warranty service.

Canadian Warrantor:**FPI Fireplace Products International Ltd.**

6988 Venture St.
Delta, British Columbia
Canada, V4G 1H4

USWarrantor:**Fireplace Products U.S., Inc.**

PO Box 2189 PMB 125
Blaine, WA
United States, 98231

Or contact the Regency Customer Care Centre at 1-800-442-7432 (phone) /604-946-4349 (fax) / customerservice@regency-fire.com (e-mail)

Product Registration and Customer Support:

Thank you for choosing a Regency Fireplace. Regency strives to be a world leader in the design, manufacture, and marketing of hearth products. To provide the best support for your product, we request that you complete a product registration form at <http://www.regency-fire.com/Customer-Care/Warranty-Registration.aspx> within **ninety (90)** days of purchase.

Warranty Registration Card



Product Registration and Customer Support:

Thank you for choosing a Regency Fireplace. Regency strives to be a world leader in the design, manufacture, and marketing of hearth products. To provide the best support for your product, we request that you complete a product registration form found on our Web Site under Customer Care within ninety (90) days of purchase.

For purchases made in **CANADA or the UNITED STATES:**

<http://www.regency-fire.com/Customer-Care/Warranty-Registration.aspx>

For purchases made in **AUSTRALIA:**

<http://www.regency-fire.com.au/Customer-Care/Warranty-Registration.aspx>

You may also complete the warranty registration form below to register your Regency Fireplace Product and mail and/or fax it back to us, and we will register the warranty for you. It is important you provide us with all the information below in order for us to serve you better.

Warranty Registration Form (or Register online immediately at the above Web Site):

Warranty Details	
Serial Number (required):	
Purchase Date (required) (mm/dd/yyyy):	
Product Details	
Product Model (required):	
Dealer Details	
Dealer Name (required):	
Dealer Address:	
Dealer Phone #:	
Installer:	
Date Installed (mm/dd/yyyy):	
Your Contact Details (required)	
Name:	
Address:	
Phone:	
Email:	

For purchases made in **CANADA:**

FPI Fireplace Products International Ltd.
6988 Venture St.
Delta, British Columbia
Canada, V4G 1H4

Phone: 604-946-5155
Fax: 1-866-393-2806

For purchases made in the **UNITED STATES:**

Fireplace Products US, Inc.
PO Box 2189 PMB 125
Blaine, WA
United States, 98231

Phone: 604-946-5155
Fax: 1-866-393-2806

For purchases made in **AUSTRALIA:**

Fireplace Products Australia Pty Ltd
99 Colemans Road
Dandenong South, Vic.
Australia, 3175

Phone: +61 3 9799 7277
Fax: +61 3 9799 7822

For fireplace care and tips and answers to most common questions please visit our Customer Care section on our Web Site. Please feel free to contact your selling dealer if you have any questions about your Regency product.

recycling

PRODUCT LIFE CYCLE:

By recycling your used appliances, you divert waste from your local landfills and help the environment. You also reduce the need for raw materials to manufacture new products. Contact your local municipality for appliance recycling services, local recycling programs, or appliance removal services to ensure your Regency appliance components, and packaging are properly recycled.

Installer: Please complete the following information

Dealer Name & Address: _____

Installer: _____

Phone #: _____

Date Installed: _____

Serial #: _____