

INSTALLATION AND OPERATING INSTRUCTIONS

Vented Decorative Gas Appliances



**MODEL U24-NG
NATURAL GAS**

**MODEL U24-LP
PROPANE GAS**

Dealer	
Installer	
Phone No.	
Date Installed	
Serial No.	

PLEASE KEEP THESE OPERATING INSTRUCTIONS FOR FUTURE REFERENCE

This manual contains all of the necessary information to ensure the safe, efficient and dependable installation of your gas fireplace insert. Please read and understand these installation instructions before beginning your installation.

FOR YOUR SAFETY

What to do if you smell gas:

- 1) Do not try to light any appliance.
- 2) Turn off main gas supply.
- 3) Do not touch any electrical switch, do not use any phone in your building.
- 4) Immediately call your gas supplier from a neighbour's phone. Follow the gas supplier's instructions.
- 5) If you cannot reach the gas supplier, call the fire department.

WARNING:

Improper installation, adjustment, alteration, service or maintenance can cause injury or property damage. Refer to this manual. For assistance or additional information consult a qualified installer, service agency or the gas supplier.

FOR YOUR SAFETY

Do not store or use gasoline or other flammable vapours and liquids in the vicinity of this or any other appliance.

TABLE OF CONTENTS

CONGRATULATIONS !

You are the owner of a state-of-the-art Gas Insert by:
FIREPLACE PRODUCTS INTERNATIONAL LTD.

The **Regency Gas Fireplace Series** of hand crafted appliances has been designed to provide you with all the warmth and charm of a fireplace, at the flick of a switch. The models U24-NG and U24-LP of this series have been approved by Warnock Hersey for safety. As it also bears our own mark, it promises to provide you with economy, comfort and security for many trouble free years to follow. Please take a moment now to acquaint yourself with these instructions and the many features of your Regency Fireplace.

TABLE OF CONTENTS

PARTS	INSTALLATION INSTRUCTIONS
Parts List 3	Installation Sequence 9
Safety Label 4	Test for flue spillage 9
	Glass 9
	Venting 10
	Combustion & Ventilation 10
	Flue Extender Kit 10
	Aeration system 10
	Faceplate & Trim 11
	Optional Brick Panel 12
	Louvers 12
	Logs & Embers Installation 14
	OPERATING INSTRUCTIONS
	Operating Instructions 17
	Lighting & Shutdown 17
	WARRANTY
	Warranty 19

PARTS LIST

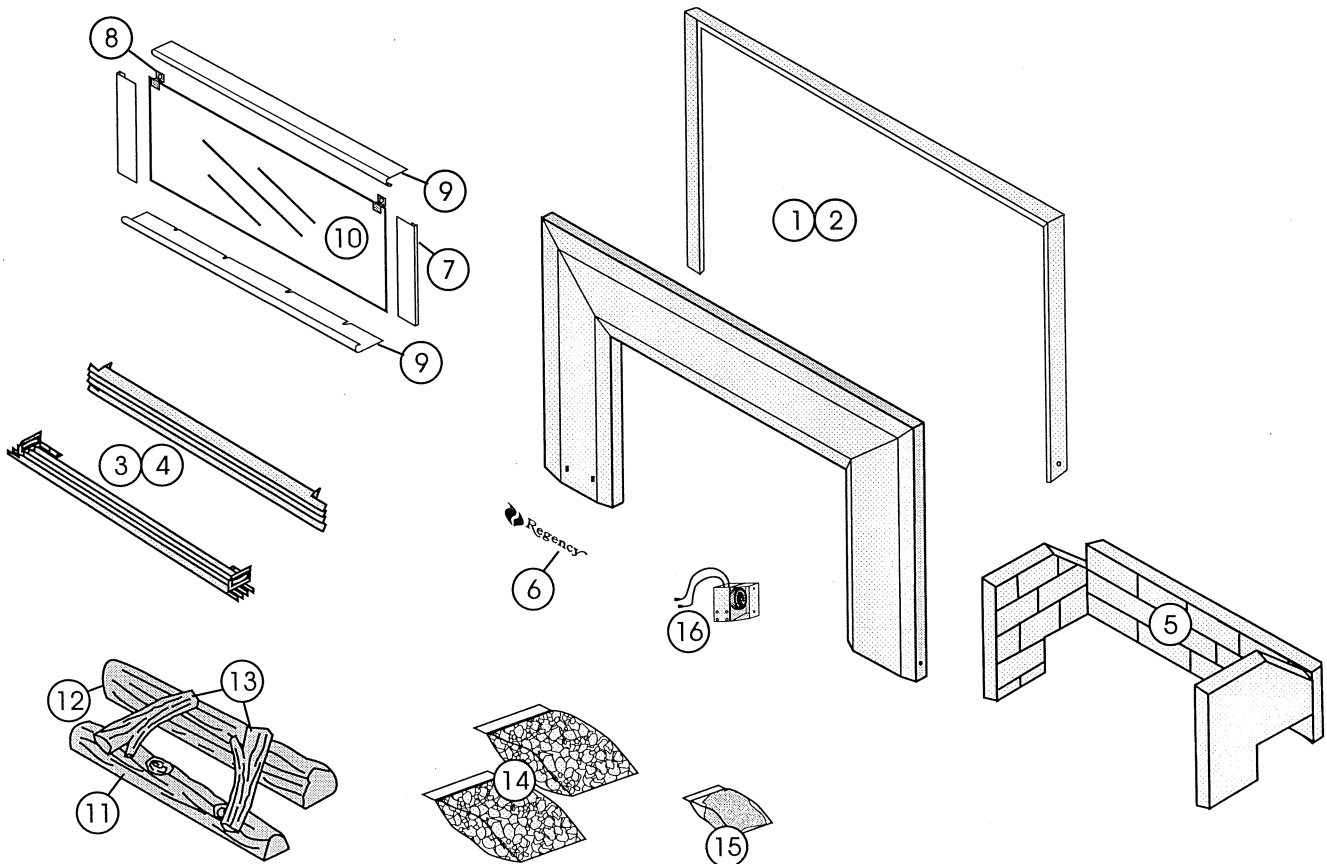
You will be receiving the following components with your new Regency Gas Fireplace. Please review your product to make sure you have all you need. In the event that you are missing any part contact your dealer.

PART #	PART NAME	PART #	PART NAME
1) 400-918*	Faceplate complete with Trim Regular/black (26-1/4 x 40-1/4")	12) 902-132	Rear Log (x1)
2) 400-919*	Faceplate complete with Trim Oversize/black (28" x 44")	13) 902-182	Cross Log (x2)
3) 444-913*	Louvers -Black	14) 902-150	Embers (2 bags)
4) 444-914*	Louvers -Gold plated	15) 902-153	Rock wool (8g bag)
5) 443-950**	Brick panels (set)	16) 400-516	Variable speed control
6) 948-116	Regency Logo Plate (x1)	17) 400-515	Fan Assembly
7) 444-200	Glass side covers (x2)	18) 910-191	Pilot
8) 400-096	Glass clips (x2)	19) 910-193	Electrode
9) 444-162/02	Gold glass support trim (x2)	20) 910-341	Thermopile
10) 443-937	Glass (x1)	21) 910-190	Piezo
11) 902-130	Front Log (x1)	22) 910-142	Thermodisc
		23) 910-296	Gas control valve
		24) 910-246	On/Off switch

* These items are required parts but you do have the option of 2 sizes of faceplates and 2 colours of louvers

** This item is an option



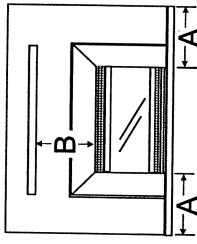
The remaining items are replacement parts



SAFETY LABEL

This is a copy of the label that accompanies each Regency Gas Insert. We have printed a copy of the contents here for your review. The safety label is located on the front inside base of the unit visible when the bottom louver is open.

NOTE: Regency units are constantly being improved. Check the label on the unit and if there is a difference, the label on the unit is the correct one.

<p>WARNOCK HERSEY</p> 		<p>Listed: Vented Decorative Gas Appliance Tested to: CAN 1-2.22-M86, ANSI Z21.50-1989 Tested to: CGA 2.17-M91 Gas fired appliance for use at high altitude Certified for/Certifié pour: CANADA and U.S.A. [Report No. 6379 (JUNE 1992)]</p>		<p>Serial No./ No de Serie WH - A</p>	
<p>PROpane GAS FIREPLACE INSERT: U24-LP</p> <p>Minimum supply pressure 11.0" WC/C.E. (280mm) Manifold pressure high 10.0" WC/C.E. (254mm) Manifold pressure low 2.9" WC/C.E. (74mm) Orifice size 54 Altitude 0-4500' (0-1370m)</p>		<p>APPAREIL FONCTIONNANT AU PROPANE CONCU POUR ETRE INSERE DANS UN FOYER: U24-LP Pression d'alimentation minimum Pression a la tublure d'échappement élevée Pression a la tublure d'échappement basse Grandeur de l'injecteur L'altitude</p>		  <p>Minimum Clearances to Combustibles: Side of unit to wall: A 11"/275mm Top of unit to mantle: B 14"/350mm</p>	
<p>NATURAL GAS FIREPLACE INSERT: U24-NG</p> <p>Minimum supply pressure 4.5" WC/C.E. (114mm) Manifold pressure high 3.5" WC/C.E. (89mm) Manifold pressure low 0.9" WC/C.E. (28mm) Orifice size 43 Altitude 0-4500' (0-1370m)</p>		<p>APPAREIL FONCTIONNANT AU NATURAL GAZ CONCU POUR ETRE INSERE DANS UN FOYER: U24-NG Pression d'alimentation minimum Pression a la tublure d'échappement élevée Pression a la tublure d'échappement basse Grandeur de l'injecteur L'altitude</p>		<p>Dégagement Minimum Des Matériaux Combustibles: Cote: A 11"/275mm Au dessus: B 14"/350mm</p>	
<p>VENTED DECORATIVE GAS APPLIANCE For installation into a vented non-combustible fireplace, listed factory built fireplace or optional Regency GR25 Zero clearance kit. ELECTRICAL SUPPLY 115V 60HZ less than/Moins de 12 AMP. Altitude maximum input 0-4500ft/pi (0-1370m) 22,800BTUH Altitude minimum input 0-4500ft/pi (0-1370m) 12,750BTUH NOT A SOURCE OF HEAT NOT FOR USE WITH SOLID FUEL</p>		<p>APPAREIL DECORATIF FONCTIONNANT AU GAZ, AVEC EVENT Ne peut être installé que dans un foyer non combustible muni d'un event ou GR25 foyer a degagement de securite nul. ALIMENTATION ELECTRIQUE: Debit calorifique maximum selon l'altitude Debit calorifique minimum selon l'altitude NON CONCU POUR CHAUFFAGE Ne doit pas être utilisé avec un combustible solide</p>		<p>MADE IN CANADA / FABRIQUE AU CANADA</p> <p>908-225</p>	
<p>Model/Modele: U24-LP</p>		<p>Model/Modele: U24-NG</p>		<p>Fireplace Products International Ltd., Delta, B.C., Canada</p>	
<p>DO NOT REMOVE THIS LABEL/ NE PAS ENLEVER CETTE ÉTIQUETTE</p>					

INSTALLATION REQUIREMENTS

IMPORTANT: SAVE THESE INSTRUCTIONS

The Regency Gas Fireplace must be installed in accordance with these instructions. Carefully read all the instructions in this manual first. Consult the building authority having jurisdiction to determine the need for a permit prior to starting the installation.

Note: Failure to follow the instructions could cause a malfunction of the heater which could result in death, serious bodily injury, and/or property damage. Failure to follow these instructions may also void your fire insurance and/or warranty. This appliance is not intended for use with a thermostat.

FOR YOUR SAFETY

This appliance requires air for proper combustion. Always provide adequate combustion and ventilation air. Follow instructions and information in CAN/CGA B149 (in Canada) or the National Fuel Gas Code ANSI Z223.1 (in the USA), regarding requirements for combustion and ventilation air.

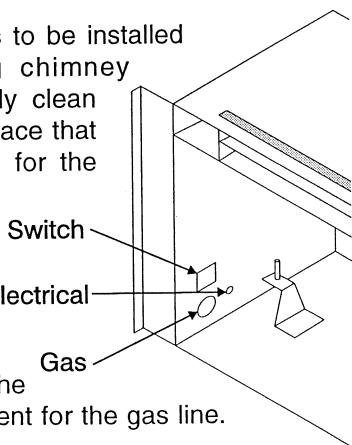
GAS CONNECTION

Only persons licensed to work with gas piping may make the necessary gas connections to this appliance.

The gas connection is a 3/8" NPT accessible on the left side of the unit. The gas line can be rigid pipe or to make installation easier, use a listed flexible connector and manual shut-off valve if allowed by local codes. For minimum and maximum supply pressure see the System Data table.

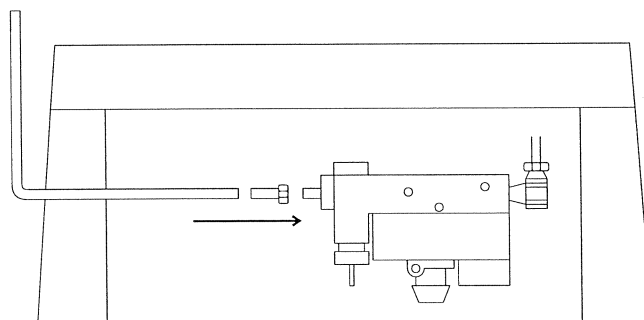
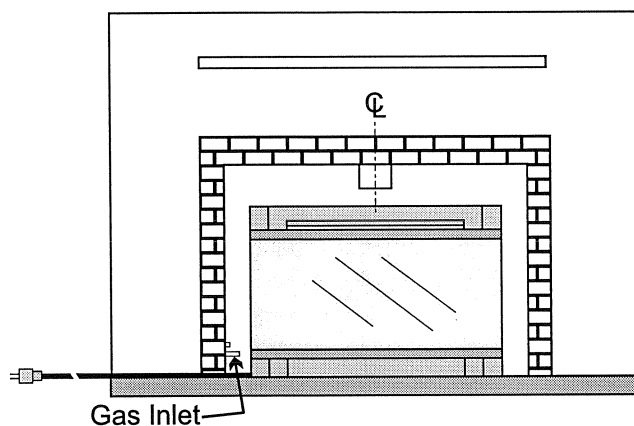
- 1) If the appliance is to be installed into an existing chimney system, thoroughly clean the masonry fireplace that has been chosen for the Regency Gas Fireplace.

- 2) The appliance is provided with an opening on the left hand side of the control compartment for the gas line.



- 3) The installer must provide a 1/8" N.P.T. plugged tapping, accessible for test gauge connection, immediately upstream of the gas supply connection to the appliance.

Note: During any pressure testing of the gas supply piping system that exceeds test pressures of 1/2 psig, this appliance and its individual shut-off valve must be disconnected from the piping system. If test pressures equal to or less than 1/2 psig are used then this appliance must be isolated from the piping system by closing its individual manual shut-off valve during the testing.



CAUTION: If the glass is removed for servicing, it must be replaced prior to operating the appliance. The glass must be fixed in the closed position when operating.

INSTALLATION REQUIREMENTS

System Data (For 0-4500 ft altitude)			
Burner inlet orifice sizes:	Natural Gas	Propane Gas	
	43	54	
Max. input rating	-Natural Gas	22800 btu/h	
	-Propane	22800 btu/h	
Min. input rating	-Natural Gas	12750 btu/h	
	-Propane	12750 btu/h	
Supply pressure	-Natural Gas	minimum	5.0" w.c.
		maximum	8.0" w.c.
Supply pressure	-Propane	minimum	11.0" w.c.
		maximum	13." w.c.
Manifold pressure	-Natural Gas	3.5" +/- 0.2" w.c.	
Manifold pressure	-Propane	10" +/- 0.2" w.c.	
Electrical: 115 V.A.C. System, 60 Hz, 3 Amp			
Circulation Fan: Variable speed CFM 120			
Log Set: Ceramic fiber, 4 per set			

HIGH ELEVATION

This unit is approved in Canada for altitude 0 to 4500ft. (CAN 1 2.17-M90) with the orifice supplied.

BEFORE YOU START

Safe installation and operation of this appliance requires common sense, however, we are required by the Canadian Safety Standards and ANSI Standards to make you aware of the following:

General Safety Information

- 1) The appliance installation must conform with local codes or in the absence of local codes, with CAN/CGA B149 (in Canada) or the National Fuel Gas Code ANSI Z223.1. This appliance should be installed by a qualified gas fitter technician only.
- 2) **Installation and repair should be done by a qualified service person or agency.**
- 3) See general construction and assembly instructions. This appliance may only be installed in a vented, non-combustible fireplace. The appliance and vent should be enclosed when installed in or passing through a living area, where children may come in contact with it.

- 4) Always connect this fireplace to a chimney and vent to the outside of the building envelope. Never vent to another room or inside a building. Make sure that the vent is properly sized and is of adequate height to provide the proper draft.
- 5) Any safety glass removed for servicing must be replaced prior to operating the appliance.
- 6) To prevent injury, do not allow anyone who is unfamiliar with the operation to use the fireplace.
- 7) Always turn off the gas valve before cleaning. For relighting, refer to lighting instructions. Keep the burner and control compartment clean by brushing and vacuuming at least once a year. When cleaning the logs, use a soft clean paint brush as the logs are fragile and easily damaged.
- 8) Clean appliance and door with a damp cloth (never when unit is hot). Never use an abrasive cleaner. The glass should be cleaned with a gas fireplace glass cleaner. The heater is finished in a heat resistant paint and should only be refinished with heat resistant paint. Regency uses StoveBrite Paint - Metallic Black #6309.
- 9) Make a periodic check of burner for proper position and condition. Visually check the flame of the burner periodically, making sure the flames are steady; not lifting or floating. If there is a problem, call a qualified service person.
- 10) The appliance and venting system must be inspected before use, and at least annually, by a qualified field service person, to ensure that the flow of combustion and ventilation air is not obstructed. During the annual service call, the burners should be removed from the burner tray and cleaned. Replace the embers and rock wool.
- 11) Keep the area near the appliance clear and free from combustible materials, gasoline and other flammable vapours and liquids.
- 12) **WARNING: CHILDREN AND ADULTS SHOULD BE ALERTED TO THE HAZARDS OF HIGH SURFACE TEMPERATURES AND SHOULD STAY AWAY TO AVOID BURNS OR CLOTHING IGNITION. YOUNG CHILDREN SHOULD BE CAREFULLY SUPERVISED WHEN THEY ARE IN THE SAME ROOM AS THE APPLIANCE.**

INSTALLATION REQUIREMENTS

13) **CAUTION: ANY SAFETY SCREEN OR GUARD REMOVED FOR SERVICING AN APPLIANCE MUST BE REPLACED PRIOR TO OPERATING THE APPLIANCE.**

14) **CLOTHING OR OTHER FLAMMABLE MATERIAL SHOULD NOT BE PLACED ON OR NEAR THE APPLIANCE.**

15) Each time the appliance is lit, it may cause condensation and fog the glass. This condensation is normal and will disappear in a few minutes as the glass heats up. Never operate the appliance without the **glass properly secured in place.**

16) **NEVER OPERATE THE APPLIANCE WITHOUT THE GLASS PROPERLY SECURED IN PLACE.**

CLEARANCES

Minimum Fireplace Clearances

Diagram 1 shows the minimum fireplace opening required to be able to install the Regency gas fireplace insert.

Clearances to Combustibles

The minimum clearance from the side of the appliance to a combustible side wall is 11 inches. The minimum clearance from the top of the appliance to a combustible mantle is 14 inches. See Diagram 2.

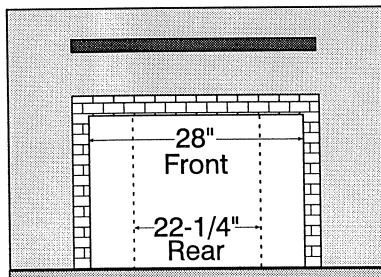
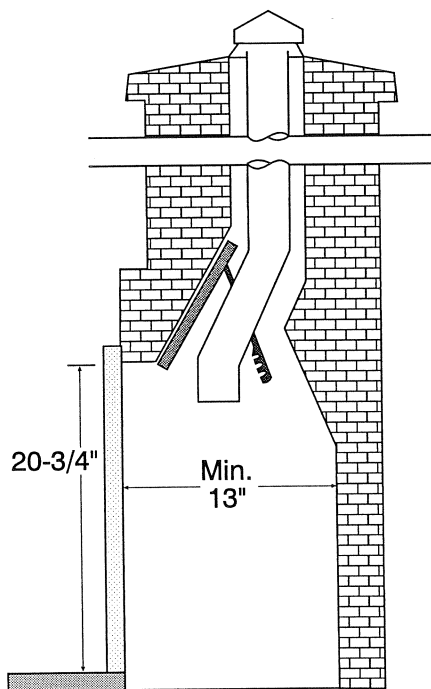


Diagram 1

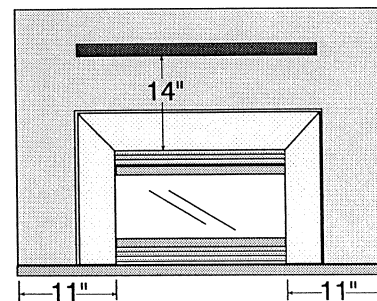
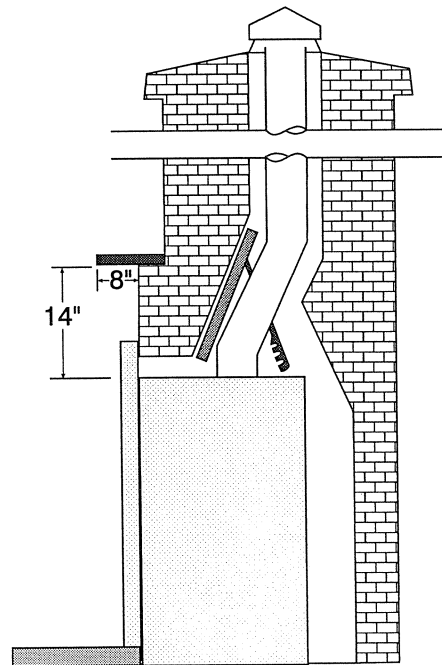


Diagram 2

INSTALLATION REQUIREMENTS

ELECTRICAL POWER REQUIREMENTS

Standing Pilot Units (U24-NG, U24-LP)

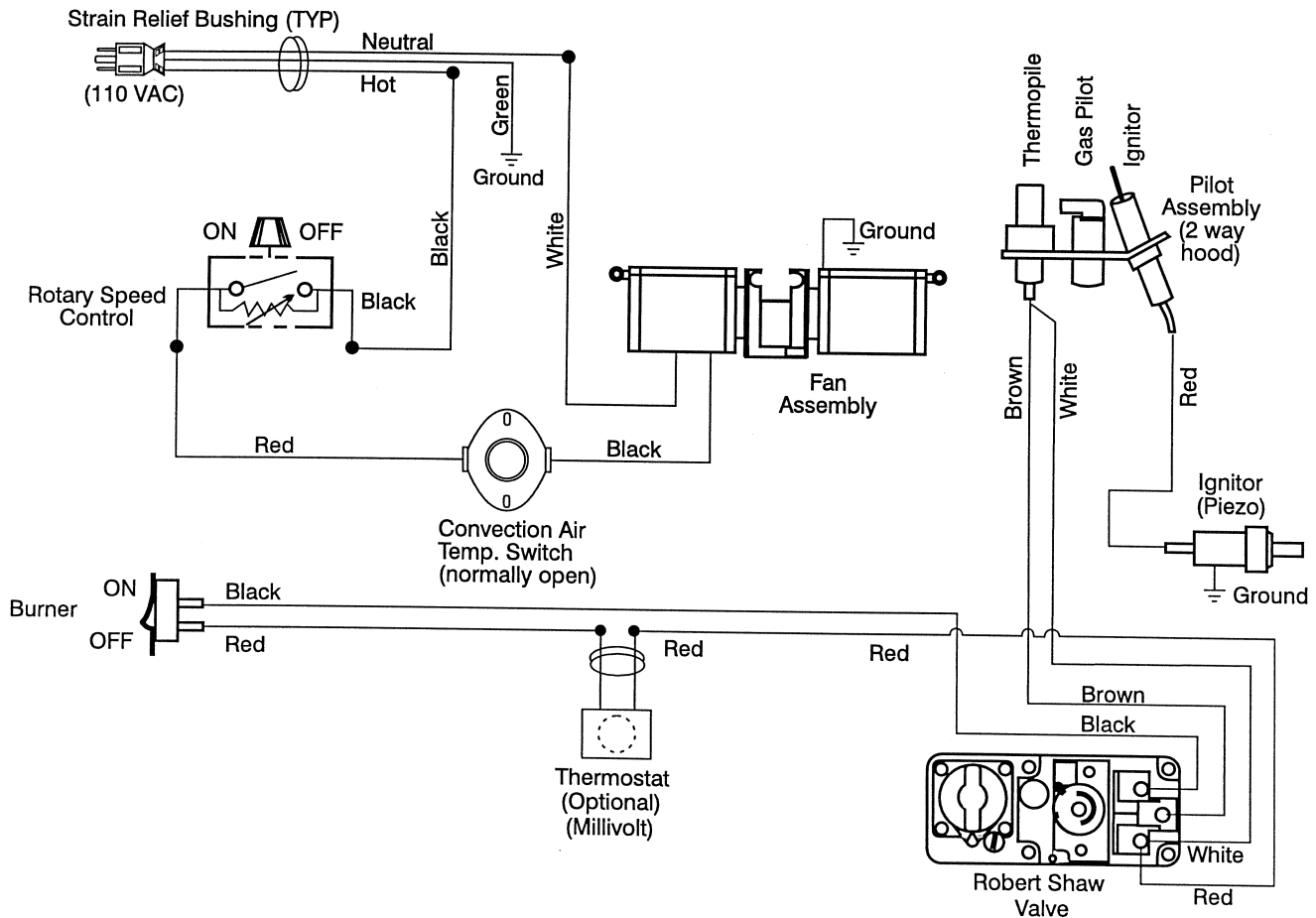
115 Volt 60 HZ less than 3 amps.

No electrical power supply is required for the gas control to operate. A 115 Volt AC power cord is hooked up to the fan switch and blower. Operation of this fan increases the heat output of the appliance. Plug 3 wire cord into a suitable receptacle. **Do not cut the ground terminal off under any circumstances.**

When connected with 115 volts, the appliance must be electrically grounded in accordance with local codes or, in the absence of local codes the current CSA C22.1 (in Canada) or with the National Electrical Code ANSI/NFPA 70-1987 (in USA).

NOTE: This unit is equipped with a heat sensor thermodisc which will prevent the blower from operating until the unit reaches the correct temperature.

Wiring Diagram for the U24-NG and U24-LP



INSTALLATION INSTRUCTIONS

INSTALLATION SEQUENCE

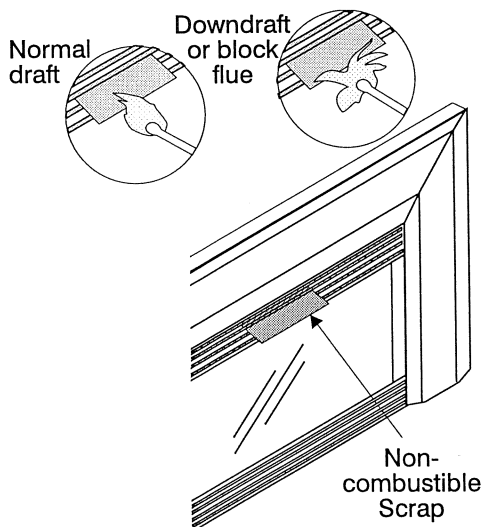
The Regency Gas Insert is installed in the steps as listed below. Detailed instructions for each step follow.

- 1) Remove the top and bottom gold glass trim and glass from the unit.
- 2) Install the insert box, install and make gas connections.
- 3) Install the bottom louver.
- 4) Optional: Install the brick panels.
- 5) Install the 4 logs.
- 6) Assemble and install the faceplate and trim.
- 7) Replace glass and top and bottom gold glass trim.
- 8) Install top louver.
- 9) **FINAL CHECK:** Before leaving this unit with the customer, the installer must ensure that the appliance is firing correctly. This includes:
 - a) Clocking the appliance to ensure the correct firing rate.
 - b) Adjusting the primary air, if required, to ensure that the flame does not carbon.
 - c) Ensuring that the appliance is venting correctly.

TEST FOR FLUE SPILLAGE

A " spillage" test must be made before the installed unit is left with the customer. Follow the procedure below:

- 1) Start all exhaust fans in the home and then close all external doors and windows in the house.
- 2) Light the unit and set controls to maximum. Turn fan off.



- 3) After five minutes, test that there is a "pull" on the flue by placing a smoke match, cigarette or similar device which gives off smoke, in front of the upper part of the louver. To ensure a valid test, place a scrap piece of sheet metal (or other noncombustible material) in the upper louver, this will prevent the natural convection of the unit from interfering with the test.

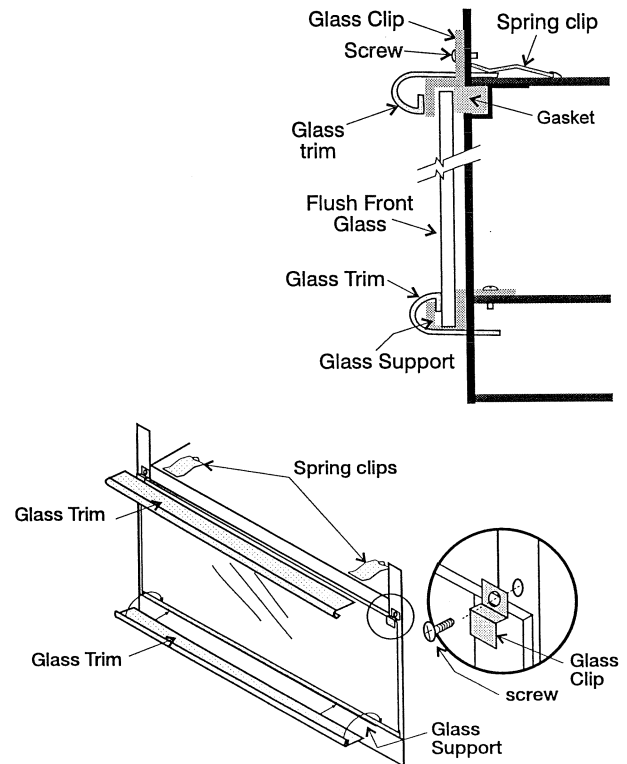
Note: *The smoke should be drawn into the louver. If the smoke is still not drawn in, turn the unit off and check for the cause of the lack of draft. If necessary, seek expert advice.*

Note: *For wind turbulent sites, a wind cap may remedy the problem.*

GLASS

- 1) Remove the bottom glass trim by lifting it up from its seat on the glass support.
- 2) Remove the the top glass trim by sliding it out from under the two spring clips.
- 3) Unscrew the 2 philips head screws holding the glass clips on (be sure to support the glass while doing this as it will fall) and lift out of bottom glass support.

Note: *To re-install the glass, reverse the procedure.*



INSTALLATION INSTRUCTIONS

VENTING

THE APPLIANCE MUST NOT BE CONNECTED TO A CHIMNEY FLUE SERVING A SEPARATE SOLID FUEL BURNING APPLIANCE.

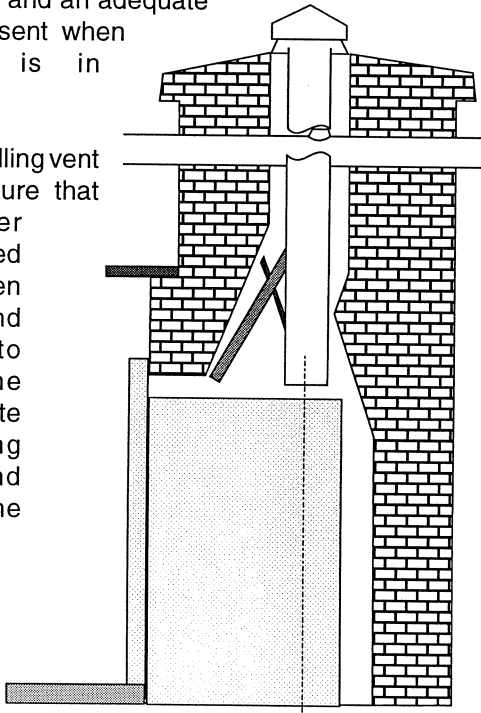
This appliance is designed to attach to a 4" diameter type B-Vent or double thickness aluminum flex liner.

The flue collar of the appliance will fit inside a standard vent and may be fastened directly to the vent by sheet metal screw or a B-Vent, single wall vent connector.

B-Vent chimneys require a 1" clearance to combustibles.

The Regency Insert incorporates its own internal draft hood, so no additional external draft hood is required. Check periodically that the vent is unrestricted and an adequate draft is present when the unit is in operation.

Before installing vent system ensure that the damper plate is locked into the open position and secure to prevent the damper plate from falling down and crushing the liner.



COMBUSTION AND VENTILATION AIR

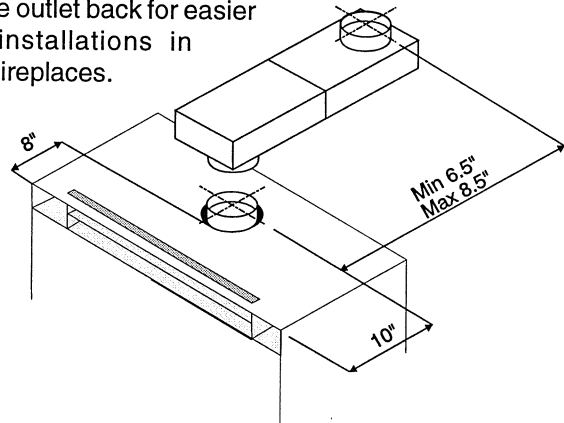
WARNING: This appliance needs fresh air for safe operation and must be installed with provisions for adequate combustion and ventilation air available to the room in which it is to be operating.

Follow CAN/CGA B149 (in Canada) or ANSI Z223.1 (in the USA) requirements, and any local codes or regulations of the enforcing authority.

Air for combustion is drawn in through the front of the unit, therefore, the front of the unit must be kept clear of any obstructions.

FLUE EXTENDER KIT

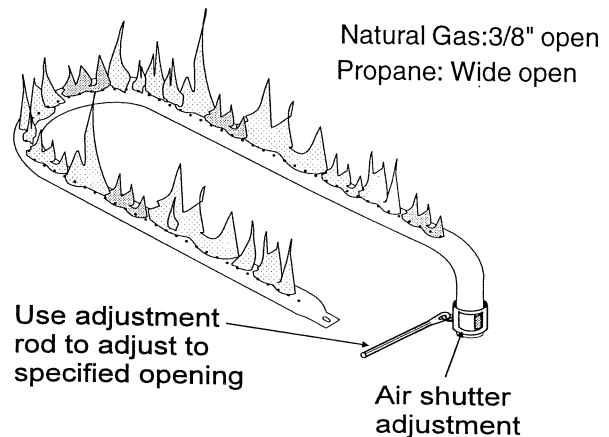
A flue extender kit is available as an accessory to move the flue outlet back for easier liner installations in deep fireplaces.



AERATION SYSTEM

The aeration adjustment rod is attached to the air shutter on the burner. The rod is used to adjust the aeration. Push the rod in for a blue flame, or pull out on the rod for a more yellow flame. Open bottom louver to access the rod. The burner aeration is factory set but may need adjusting due to either the local gas supply or altitude. This adjustment is performed by the installer and is primarily used in installations at high elevations.

Caution: Carbon will be produced if air shutter is closed too much.



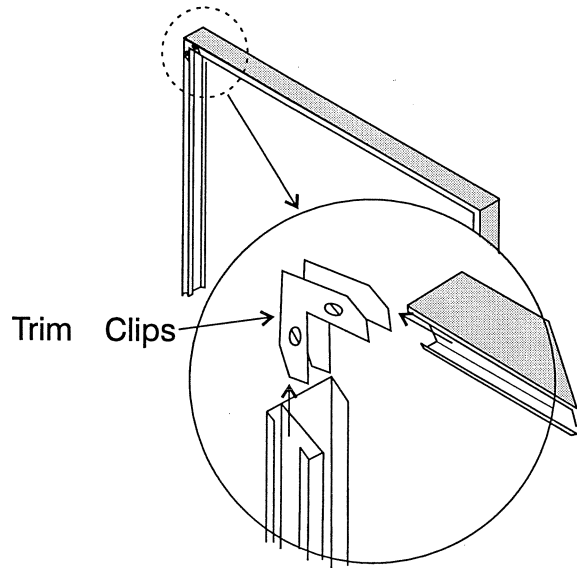
INSTALLATION INSTRUCTIONS

FACEPLATE & TRIM INSTALLATION

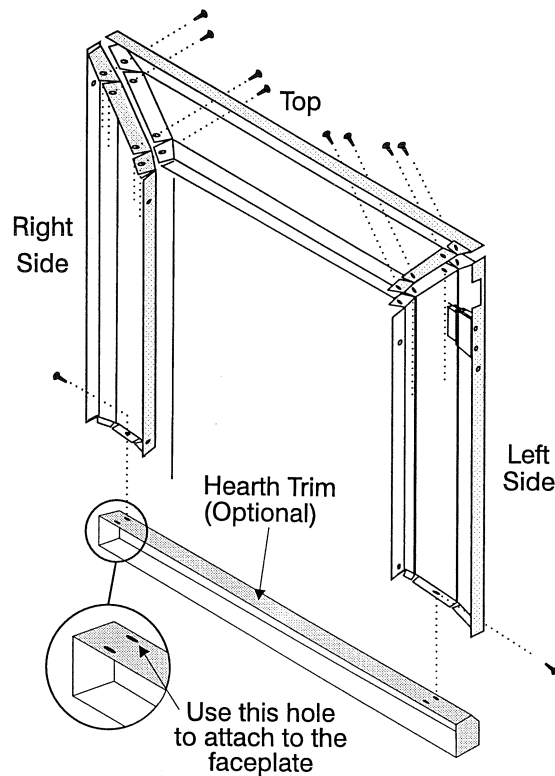
- 1) Lay the faceplate panels flat, facedown on something soft so they don't scratch.
- 2) Install the screws into the holes in the corners.

Hearth Trim Option: Attach the Hearth Trim to the bottom of the faceplate side panels with the screws provided. See Diagram 1.

- 3) Measure the width of the insert flanges and tighten the faceplate legs at this dimension.
- 4) With angle clips, connect right and top trim and attach to faceplate. With other angle clip on left side trim, slide left side trim into top trim and tighten screw.
- 5) Attach the brass trim to the faceplate by drilling a 1/8" hole through into the faceplate using the hole in the trim as a guide. Fasten the trim to the faceplate panels using the plated screws. Diagram 4.



Rear View: Trim Assembly
Diagram 2



Rear View: Faceplate Assembly
Diagram 1

INSTALLATION INSTRUCTIONS

- 6) Push the Regency logo plate into the two holes in the bottom left corner of the faceplate.
- 7) Position faceplate in front of insert and connect the red and black wires to the ON/OFF switch (red on top black on bottom) Insert protective bracket.
- 8) Tuck the wires into the faceplate to keep them away from the insert using the clip provided. Attach the clip to the rear of the faceplate to ensure that the wires do not touch the side of the unit. Diagram 3.
- 9) Hook up the 2 terminals for the variable speed control.
- 10) The power cord should be run behind the faceplate panel.
- 11) Attach the faceplate panels to the insert body using the 4 remaining black screws. Diagram 5.

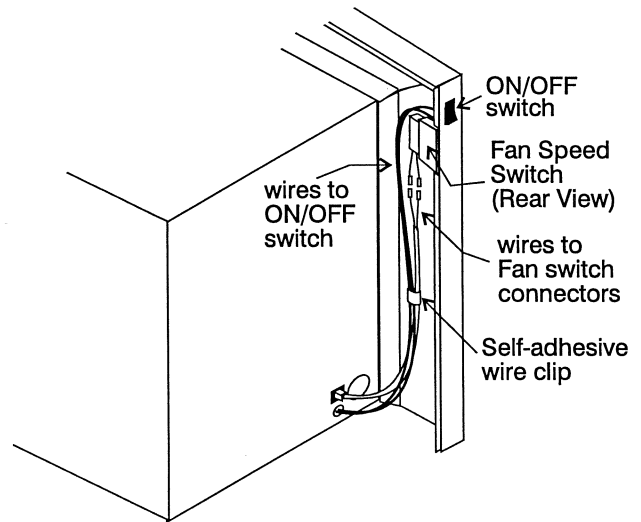


Diagram 3

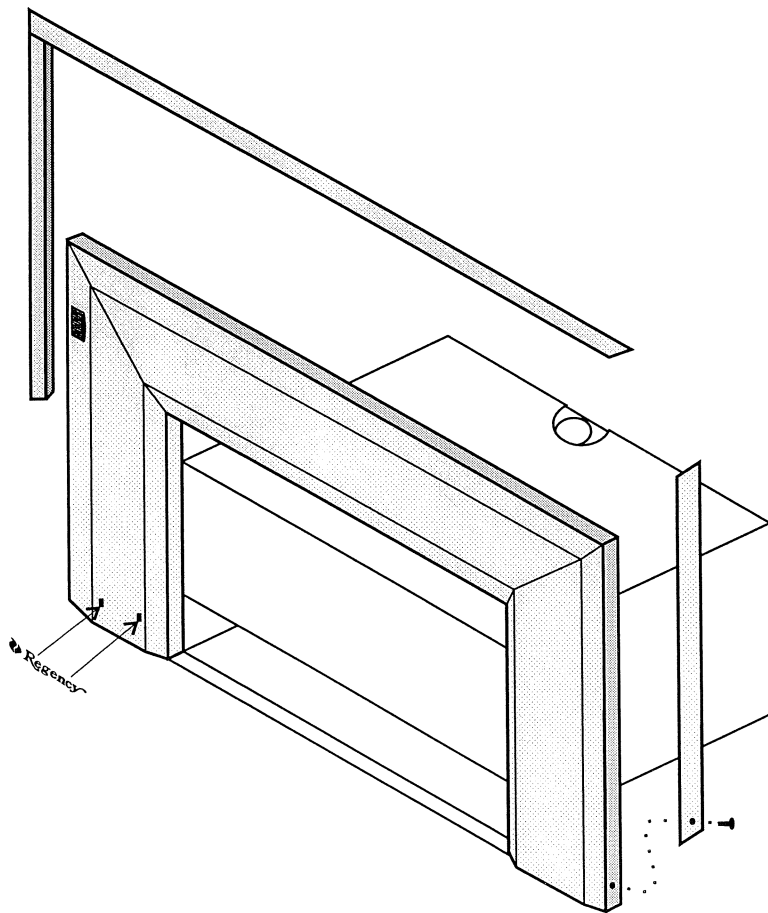


Diagram 4

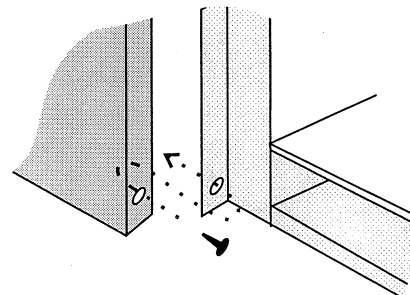
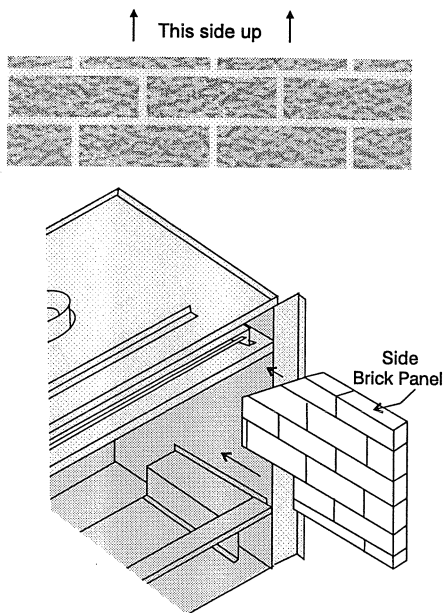


Diagram 5

INSTALLATION INSTRUCTIONS

OPTIONAL BRICK PANEL

- 1) Unwrap the brick pattern panels from the protective wrapping.
- 2) With the glass removed, position the back panel first (see diagram for correct positioning), then the two side panels. Slide the side brick panel into place from the front of the firebox, there is a tab at the top of the unit to hold the panel in place.



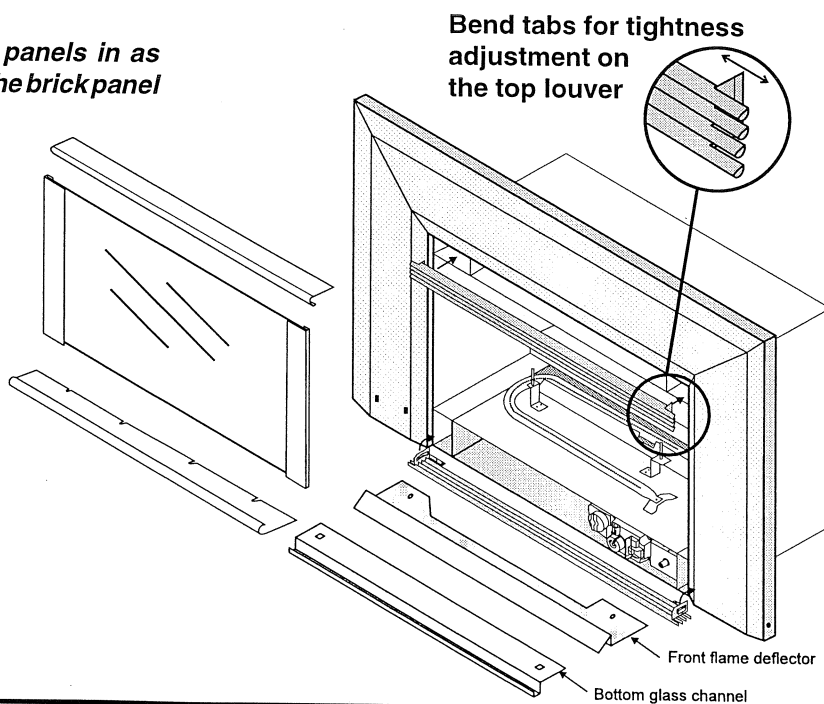
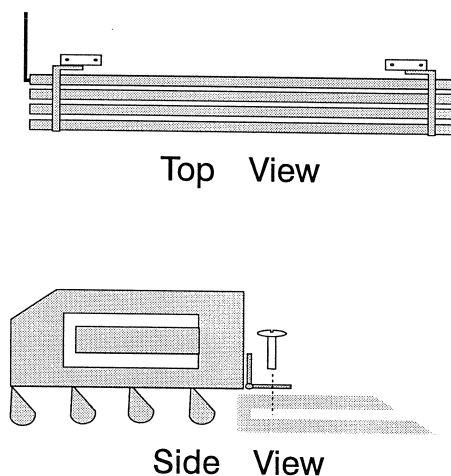
- 3) The brick panels should be tight against the firebox sides and back. The side panels should be flush with the glass.

Note: Use caution when sliding side panels in as they can easily be scratched by the brick panel tabs.

LOUVERS

The top louver is held in place by friction fit, if the louver needs to be adjusted; bend the tabs out as shown in the diagram. Louvers must be installed as shown.

Lay the bottom louver flat and position the holes in the hinges over the holes in the base of the insert. Fasten with the 4 screws that are supplied with the louvers (2 per hinge). See diagram.



INSTALLATION INSTRUCTIONS

LOG AND EMBER INSTALLATION

WARNING: Dangerous operating conditions may occur if these logs are not positioned in their proper locations. Read the following instructions carefully and refer to the attached diagram.

Set of 4 logs: (# 443-938)

Rear Log: 3" diameter by 20" long (# 902-132)

Front Log: 2-3/4" diameter by 19-3/4" long (# 902-131)

2 Cross Logs: 2" diameter by 8" long (# 902-182)

1 Bag of embers (#902-151)

1 Bag of rock wool (#902-153)

- 1) Place the larger diameter log (without any knots), #902-132, in the back of the unit, aligning the holes on the underside of the log with the log pins in the rear of the unit. Carefully push the log down onto the pins.
- 2) Place the smaller diameter log (#902-130) on the front log supports with the knot in the front. Align the holes in the bottom of the log with the pins on the supports. Make sure the log is sitting flat on the log supports. See diagram 2.

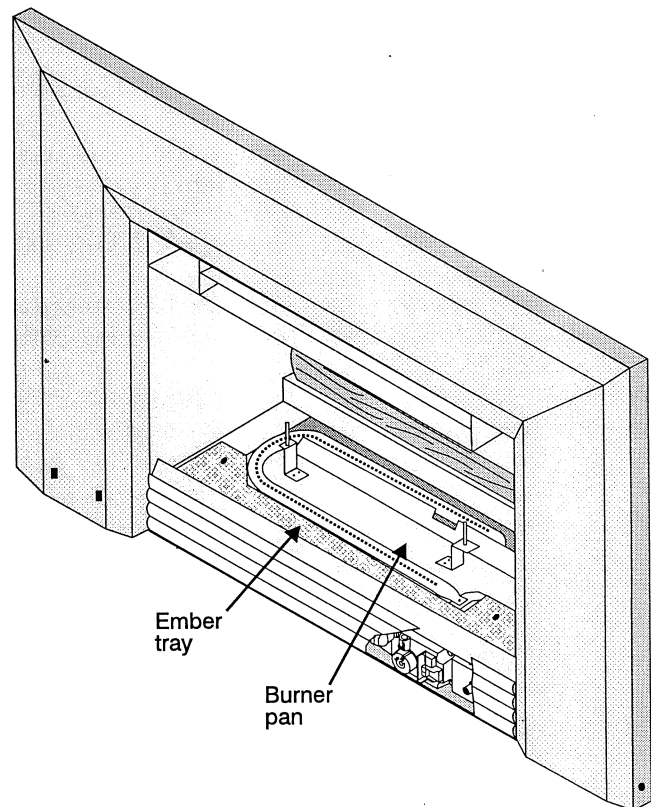
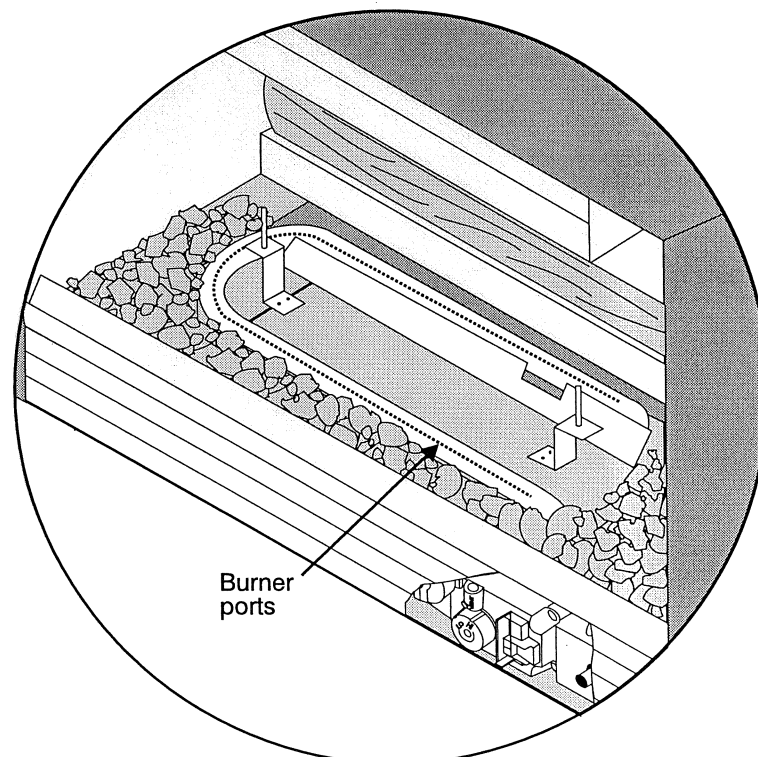


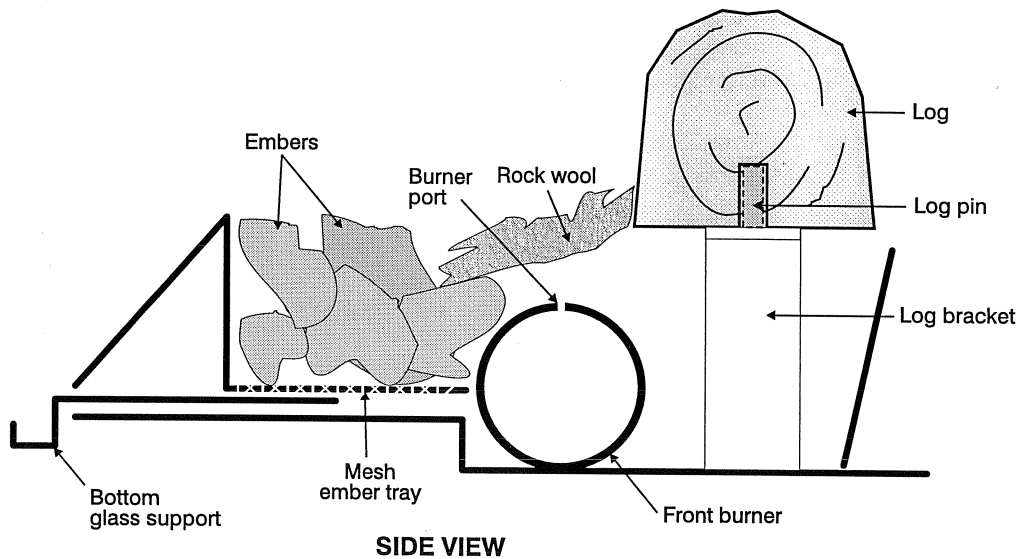
DIAGRAM 1



INSTALLATION INSTRUCTIONS

- 3) Place the two cross logs #902-134 on the cutouts on the front and rear logs. See diagram 5.

DIAGRAM 2

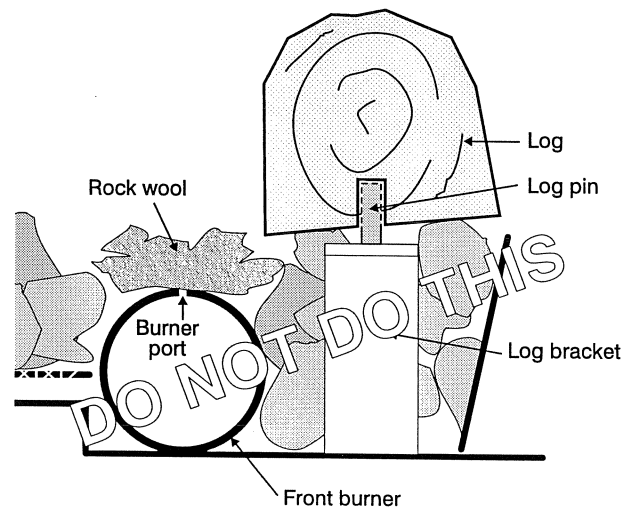


- 4) Distribute the embers along the mesh ember tray and along the sides of the unit, see diagram 1, **but do not cover the burner ports.** (Burner ports are the little holes on the top of the burner tube.)

Warning: Do not add any material to the appliance, which will come in contact with the flames, other than that which was supplied by the manufacturer with the appliance.

- 5) Pull off ember size pieces from the rock wool. **Very gently** bridge the pieces over the front burner from embers in the tray to the front log. See diagram 2 and 4. **Do not put the rock wool directly on the burner.** See diagram 3.

DIAGRAM 3



INSTALLATION INSTRUCTIONS

- 6) Before putting the glass back on turn the unit on as per manual. Watch the flame to see if it flows smoothly around from one end to the other. ***(Use Extreme Caution and ensure proper light off of burner)***
- 7) **If the flame hesitated at any point**, check that area and see if there is an ember or rockwool blocking the burner ports. If so, move it off of the burner port and check the flame flow again.
- 8) Replace glass and louvers as per manual.

DIAGRAM 4

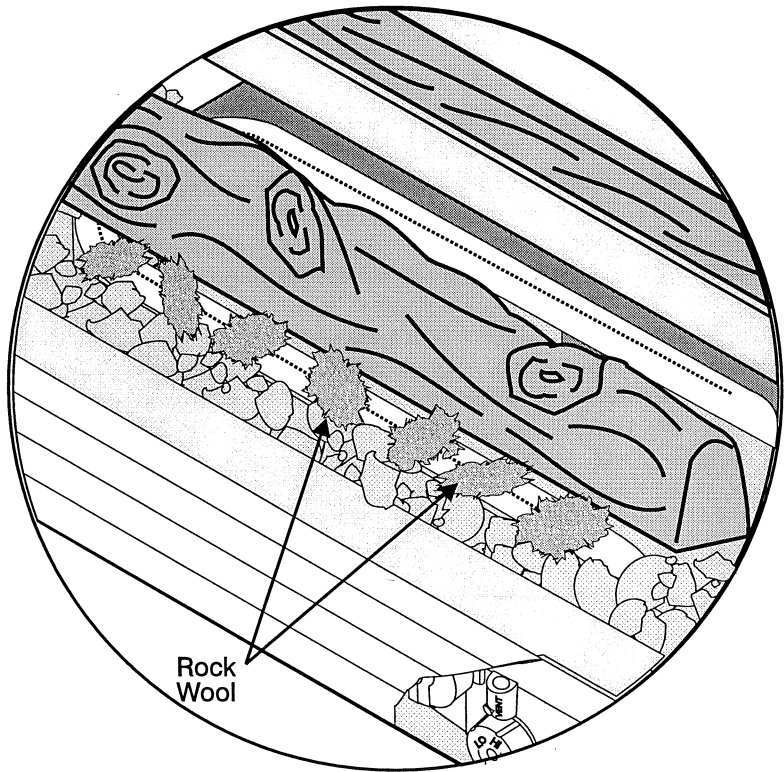
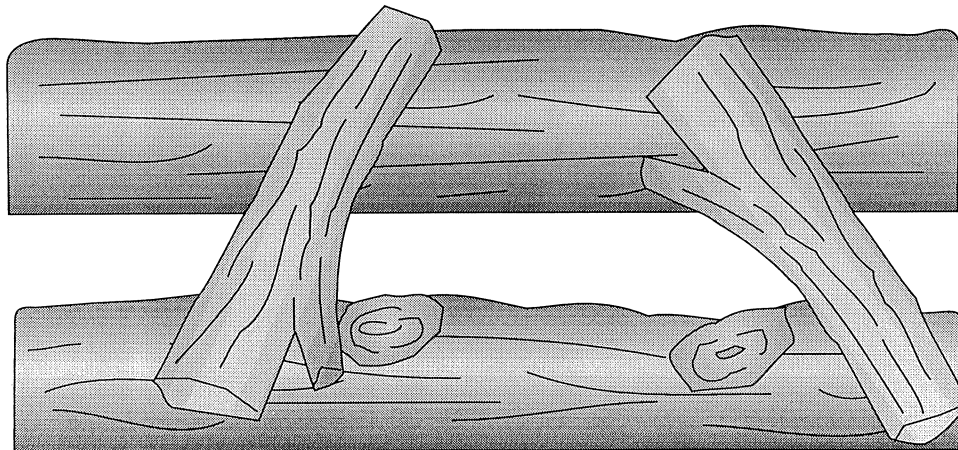


DIAGRAM 5



OPERATING INSTRUCTIONS

OPERATING INSTRUCTIONS

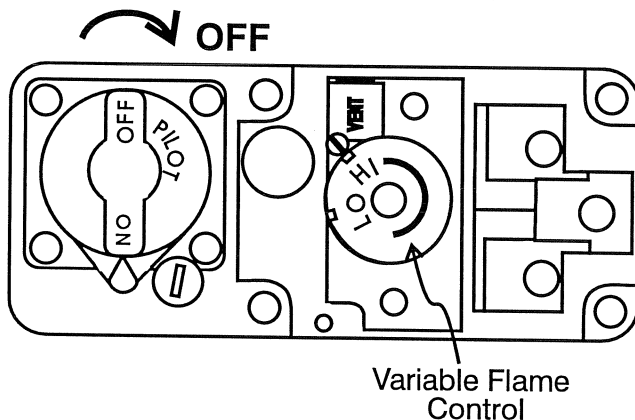
- 1) Upon completing the gas line connection, a small amount of air will be in the lines. When first lighting the appliance, it will take a little while for the lines to purge themselves of air. Once purging is completed, the pilot and burners will light when the top switch (burner) is flicked on. Subsequent lightings of the appliance will not require such purging.

Note: Propane systems may go into "lockout" during purging. The system can be manually reset after 30 seconds.

- 2) When lit for the first time, the appliance will emit a slight odour for an hour or two. This is due to the "burn-in" of internal paints used in manufacturing and burn off of starch in the logs. You may wish to open a few windows to ventilate the room for a couple of hours. Again, this is a "one time" burn-in procedure and is not uncommon among gas fired appliances.
- 3) When lighting the appliance, the inside of the glass may fog up. This will burn off after a few minutes of operation.

DO NOT BURN THE APPLIANCE WITHOUT THE GLASS FRONT IN PLACE.

- 4) The fan operates automatically, turn the knob on the side of the faceplate to adjust to the desired speed. The fan will turn on as the stove comes up to operating temperature. After the unit has been turned off and the unit cooled to below a useful heat output range the fan will shut off automatically.



LIGHTING PROCEDURE

IMPORTANT: Gas cock knob cannot be turned from "PILOT" to "OFF" unless it is partially depressed.

- 1) Turn burner OFF using "ON/OFF" switch.
- 2) Turn gas control knob so indicator points to "OFF" position and allow 5 minutes for any air in the system to escape.
- 3) Turn gas control knob counterclockwise so indicator points to the "PILOT" position. Depress fully the gas control knob. Depress the igniter button several times until the pilot lights. After approximately one minute, release the gas control knob. The pilot flame should continue to burn. If the pilot does not remain lit, repeat operation allowing a longer period before releasing gas control knob.
- 4) When the pilot stays lit, turn the gas knob further counterclockwise to the "ON" position.
- 5) Use the rocker switch to operate the main burner.
- 6) Rotate the flame height regulator to adjust the flame height higher or lower.

SHUTDOWN PROCEDURE

- 1) Use the rocker switch to turn off the main burner.
- 2) Turn the main gas control clockwise to the "OFF" position to turn off the pilot.
- 3) Turn off all electric power to appliance if service is to be performed.

OPERATING INSTRUCTIONS

FOR YOUR SAFETY READ BEFORE LIGHTING

This appliance must be installed in accordance with local codes, if any; if not, follow the current CAN1-B149/ANSI Z 223.1-1980

WARNING: If you do not follow these instructions exactly, a fire or explosion may result causing property damage, personal injury or loss of life. Improper installation, adjustment, alteration, service or maintenance can cause injury or property damage. Refer to the owner's information manual provided with this appliance. For assistance or additional information consult a qualified installer, service agency or gas supplier.

A) This appliance has a pilot which must be lighted by hand. When lighting the pilot, follow these instructions exactly.

B) BEFORE LIGHTING smell all around the appliance area for gas. Be sure to smell next to the floor because some gas is heavier than air and will settle on the floor.

WHAT TO DO IF YOU SMELL GAS

- Do not try to light any appliance
- Do not touch any electric switch, do not use any phone in your building
- Immediately call your gas supplier from a neighbour's phone. Follow the gas supplier's instructions.
- If you cannot reach your gas supplier, call the fire department.

C) Use only your hand to push in or turn the gas control knob. Never use tools. If the knob will not push in or turn by hand, don't try to repair it, call a qualified service technician. Force or attempted repair may result in a fire or explosion.

D) Do not use this appliance if any part has been under water. Immediately call a qualified service technician to inspect the appliance and to replace any part of the control system and any gas control which has been under water.

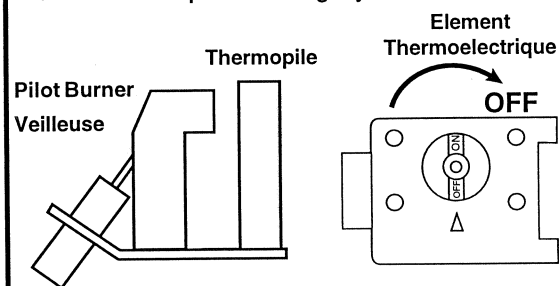
This appliance needs fresh air for safe operation and must be installed so there are provisions for adequate combustion and ventilation air.

CAUTION: Hot while in operation. Do not touch. Due to high surface temperatures keep children, clothing and furniture, away. Keep burner and control compartment clean. See installation and operating instructions accompanying appliance.

LIGHTING INSTRUCTIONS

STOP! Read the safety information above on this label.

1) Push in gas control knob slightly and turn clockwise to "OFF". Knob cannot be turned from "PILOT" to "OFF" unless knob is pushed in slightly. Do not force.



- 2) Wait five (5) minutes to clear out any gas. If you then smell gas STOP! follow "B" in the safety information above on this label. If you don't smell gas, go to the next step.
- 3) Turn knob on gas control counterclockwise to "PILOT".
- 4) Push in control knob all the way and hold in. Immediately push red button on spark igniter until pilot lights. Continue to hold the control knob in for about 1/2 minute after the pilot is lit. Release knob and it will pop back up. Pilot should remain lit. If it goes out, repeat steps 3) and 4). If knob does not pop up when released, stop and immediately call your service technician or gas supplier. If the pilot will not stay lit after several tries, turn the gas control knob to "OFF" and call your service technician or gas supplier.
- 5) Turn gas control knob counterclockwise to "ON".
- 6) Use rocker switch to operate main burner.

TO TURN OFF GAS APPLIANCE

1) Push in the gas control knob slightly and turn clockwise to "OFF". Do not force..

2) Turn off all electric power to the appliance if service is to be performed.

DO NOT REMOVE THIS INSTRUCTION PLATE

908-256

Copy of Lighting Plate Instructions

WARRANTY

Regency Fireplace Products, are designed with reliability and simplicity in mind. In addition, our internal Quality Assurance Team carefully inspects each unit thoroughly before it leaves our door. Regency Industries Ltd. is pleased to extend this limited lifetime warranty to the original purchaser of a Regency Product.

The Warranty: Lifetime

Covered under the agreement are the following components:

Combustion chamber, heat exchanger, burner tubes, logs, embers, glass (thermal breakage) and all gold plating (against defective manufacture).

The above will be covered for parts and labour for the first five years and parts only thereafter.

Electrical components such as blowers, switches, wiring, thermodiscs, remote control, thermopiles, thermocouples and gas valves are covered for one year from the date of purchase.

Conditions:

All installations must be performed by a qualified gas fitter and installed according to all applicable local and national codes. Also, all service work must be carried out by a qualified gas service person. It is the responsibility of the installer to ensure that the appliance is firing as per rating plate. Any part or parts of this unit which in our judgement show evidence of such defect will be repaired or replaced at Regency's option, through an accredited distributor or agent provided that the defective part be returned to the distributor or agent **Transportation Prepaid**, if requested.

Exclusions:

This limited Lifetime Warranty does not extend to or include paint, door or glass gasketing or trim. It does not cover installation and operational related problems such as over-firing, downdrafts or spillage caused by environmental conditions, nearby trees, buildings, hilltops, mountains, inadequate venting or ventilation, excessive offsets, negative air pressures caused by insufficient make up air, mechanical systems such as furnaces, fans, clothes dryers etc.

The warranty does not extend to any part or parts which show evidence of misuse or abuse, neglect, accident or lack of maintenance.

Products made by other manufacturers and used in conjunction with the operation of this appliance without authorization from Regency, may nullify your warranty on this product.

Regency Industries Ltd., shall in no event be liable for any special, indirect consequential damages of any nature whatsoever which are in excess of the original purchase price of the product. Any alteration to the unit which causes sooting or carboning that results in damage to the exterior facia is not the responsibility of Regency Industries Ltd.

General:

It is essential that all submitted claims provide all of the necessary information including purchase date, serial #, type of unit and part or parts requested.

Please complete the information below for future reference.

DATE PURCHASED _____

MODEL NO. _____ SERIAL NO. _____

DEALERS NAME & ADDRESS _____
