

Owners & Installation



I31-3 Gas Inbuilt

Model: I31NG3-R

Manual



PLEASE KEEP THESE INSTRUCTIONS FOR FUTURE REFERENCE

LISTINGS AND CODE APPROVALS

These gas appliances have been tested in accordance with AS/NZS 5263.0 & AS/NZS 5263.1.3 and have been certified by the Australian Gas Association for installation and operation as described in these Installation and Operating Instructions.

Your unit should be serviced annually by an authorised service person.

WARNING:

Improper installation, adjustment, alteration, service or maintenance can cause injury or property damage. Refer to this manual. For assistance or additional information consult an authorised installer, service agency or the gas supplier.

FOR YOUR SAFETY

Do not store or use gasoline or other flammable vapours and liquids in the vicinity of this or any other appliance.

Installation and service must be performed by an authorised installer, service agency or the gas supplier.

FOR YOUR SAFETY

What to do if you smell gas:

- Do not try to light any appliance
- Do not touch any electrical switch: do not use any phone in your building.
- Immediately call your gas supplier from a neighbour's phone. Follow the gas supplier's instructions.
- If you cannot reach your gas supplier, call the fire department.

REGENCY GAS FIREPLACE INBUILT FIREPLACE

TO THE NEW OWNER

Congratulations! You are the owner of a state-of-the-art Gas Inbuilt Fireplace by Fireplace Products International Ltd.. The Regency Gas Fireplace Series of hand crafted appliances has been designed to provide you with all the warmth and charm of a fireplace, at the flick of a switch. The model I31-3 of this series has been approved by Australian Gas Association for both safety and efficiency. As it also bears our own mark, it promises to provide you with economy, comfort and security for many trouble free years to follow. Please take a moment now to acquaint yourself with these instructions and the many features of your Regency Fireplace.

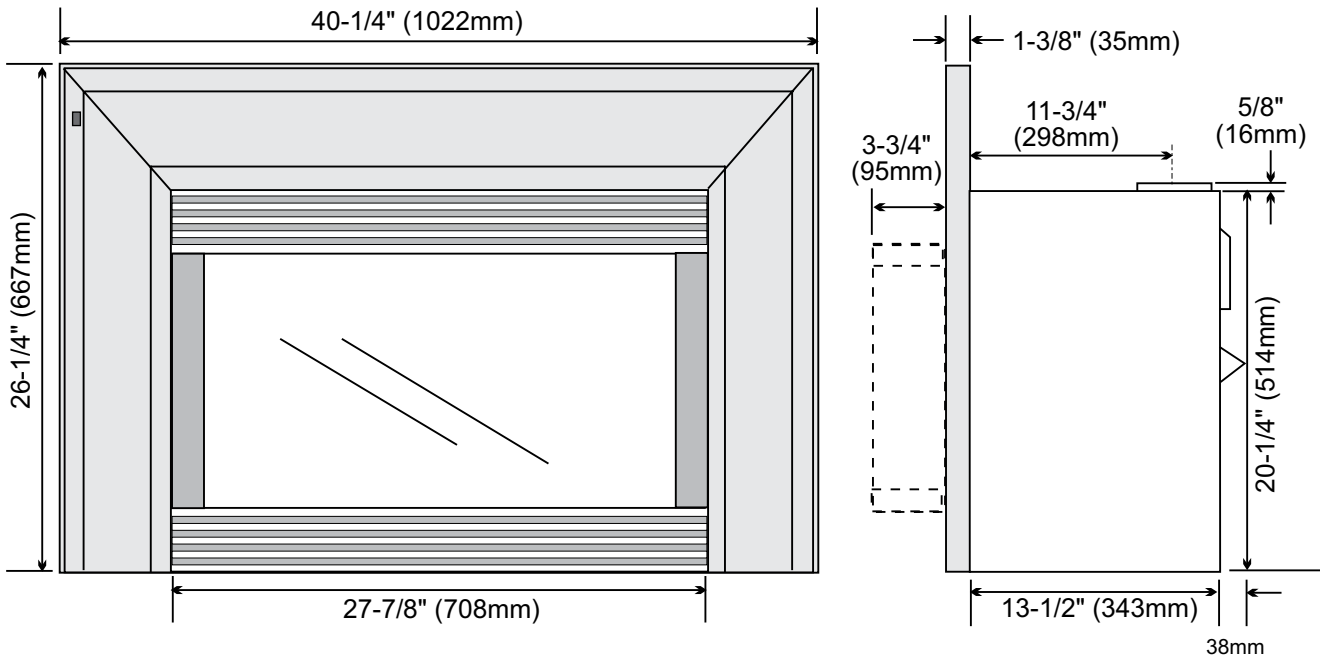


TABLE OF CONTENTS

REGENCY GAS FIREPLACE INSERT

| | | | |
|------------------------------------------|----|------------------------------------------------|----|
| Unit Dimensions | 2 | Operating Instructions | |
| Safety Label..... | 4 | Operating Instructions | 16 |
| | | Lighting Procedure | 16 |
| | | Shutdown Procedure | 16 |
| | | First Fire | 16 |
| | | Automatic Convection Fan Operation..... | 16 |
| | | Normal Operating Sounds of Gas Appliances..... | 16 |
| | | Copy of Lighting Instruction Plate..... | 17 |
| | | | |
| | | Maintenance | |
| | | Maintenance | 18 |
| | | - Gold Plated Trim | 18 |
| | | - Log Replacement..... | 18 |
| | | - Door Glass Replacement..... | 18 |
| | | - Bay Glass Removal | 18 |
| | | - Flush Glass Replacement..... | 18 |
| | | - Glass Gasket | 19 |
| | | - Fan Maintenance | 19 |
| | | Trouble Shooting | 20 |
| | | | |
| | | Parts List | 21 |
| | | | |
| | | Warranty | |
| | | Warranty | 26 |
| Installation | | | |
| For Your Safety..... | 5 | | |
| Specifications | 5 | | |
| Installation Checklist..... | 5 | | |
| Materials Required | 5 | | |
| Minimum Fireplace Dimension | 6 | | |
| Clearances to Combustibles..... | 6 | | |
| Gas Connection..... | 6 | | |
| Draft Diverter Connection..... | 7 | | |
| Flueing | 7 | | |
| - Combustion & Ventilation | 7 | | |
| Gas Pressure Test..... | 7 | | |
| Test for Flue Spillage | 7 | | |
| Optional Brick Panel | 8 | | |
| Log Installation | 8 | | |
| Faceplate & Trim | 10 | | |
| Glass Front Installation | | | |
| - Standard Flush Door (1 panel)..... | 10 | | |
| - Flush Louvres..... | 10 | | |
| - Optional Bay Door (3 panel)..... | 11 | | |
| - Bay Louvres | 11 | | |
| Hampton Cast Faceplate Installation..... | 12 | | |
| Hampton Cast Grill Installation..... | 13 | | |
| Barossa Curved Front | 14 | | |
| Optional Remote Control | 15 | | |
| Optional Wall Thermostat..... | 15 | | |
| Wiring Diagram..... | 15 | | |

DATA BADGE

This is a copy of the label that accompanies each Regency I31-3 Gas Inbuilt fireplace. We have printed a copy of the contents here for your review.

DATA BADGE NOTE: Regency units are constantly being improved. Check the label on the unit and if there is a difference, the label on the unit is the correct one.

Regency Gas Fireplace

| | |
|---------------------------------------------------------------------------------------------|-----------|
| Model | ○ |
| Gas Type | NG |
| Model | I31NG3-R |
| Gas Consumption High | 31MJ/h |
| Gas Consumption Low | 17MJ/h |
| Manifold Pressure High | 0.9kPa |
| Manifold Pressure Low | 0.22kPa |
| Injector Size | 1x#37 |
| TO BE INSTALLED ON A NON-COMBUSTIBLE FLOOR SUITABLE ONLY FOR INDOOR INSTALLATION | 2.65mm |
| AGA 5498 G | |
| AS/NZS 5263.0 & AS/NZS 5263.1.3 | |

Distributed by:

Western Australia:

Air Group Australia
28 Division St
Welshpool, WA 6106

Eastern Australia:

**Fireplace Products
Australia Pty. Ltd.**
1 Conquest Way
Hallam, VIC 3803

To be installed by an authorised person in accordance with installation instructions provided with the appliance.

Electrical Conforms to AS3100 240V 50Hz 1.0 amp Max.



Serial Number 241



- DO NOT** OPERATE THIS APPLIANCE BEFORE READING THE INSTRUCTIONS BOOKLET.
- DO NOT** PLACE ARTICLES ON OR AGAINST THIS APPLIANCE
- DO NOT** STORE CHEMICALS OR FLAMMABLE MATERIALS NEAR THIS APPLIANCE.
- DO NOT** OPERATE WITH PANELS, COVERS OR GUARDS REMOVED FROM THIS APPLIANCE.

908-602c

○ **THE GUARD IS FITTED TO THIS APPLIANCE TO REDUCE THE RISK OF FIRE OR INJURY FROM BURNS AND NO PART OF IT SHOULD BE PERMANENTLY REMOVED.**

FOR PROTECTION OF YOUNG CHILDREN OR THE INFIRM, A SECONDARY GUARD IS REQUIRED.

IMPORTANT: SAVE THESE INSTRUCTIONS

The Regency Gas Fireplace must be installed in accordance with these instructions. Carefully read all the instructions in this manual first.

Note: Failure to follow these instructions could cause a malfunction of the heater which could result in death, serious bodily injury, and/or property damage. Failure to follow these instructions may also void your fire insurance and/or warranty.

FOR YOUR SAFETY

This appliance requires air for proper combustion. Always provide adequate combustion and ventilation air. Follow instructions and information in the current AS/NZS 5601 or local codes. Consult the "authority having jurisdiction" to determine the need for a permit prior to starting the installation.

GAS PIPE TESTING

The appliance must be isolated from the gas supply piping system by closing its individual manual shutoff valve during any pressure testing of the gas supply piping system at test pressures equal to or less than 3.45 kPa.

Specifications:

Fuel: NG (see page 7)
Electrical: 240 volt 50 hz system
Fan/Blower: 2-speed, 127 CFM
Log Sets: Ceramic fibre

BEFORE YOU START

Installation is to be carried out ONLY by an authorised person.

- 1) The appliance shall be installed in accordance with the manufacturer's installation instructions, local gas fitting regulations, municipal building codes, water supply regulations, electrical wiring regulations, with AS/NZS 5601.
- 2) **Installation and repair should be done ONLY by an authorised person.**
- 3) The appliance should be inspected before use and at least annually by an authorised service person. More frequent cleaning may be required due to excessive lint from carpeting, bedding material, etc. It is imperative that control compartments, burners and

circulating air passageways of the appliance be kept clean and free from excessive lint from carpeting.

- 4) See general construction and assembly instructions. This appliance may only be installed in a flued, non-combustible fireplace. The appliance and flue should be enclosed when installed or passing through a living area, where children may come in contact with it.
- 5) Always connect this space heater to a chimney and flue to the outside of the building envelope. Never flue to another room. Make sure that the flue is properly sized and is of adequate height to provide the proper draft.
- 6) Inspect the flueing system annually for blockage and any signs of deterioration.
- 7) Any safety glass removed for servicing must be replaced prior to operating the appliance.
- 8) To prevent injury, do not allow anyone who is unfamiliar with the operation to use the fireplace.
- 9) Installer must mechanically attach the supplied label to the inside of the firebox of the fireplace into which the gas fireplace insert is installed.

WARNING: This fireplace has been converted for use with a gas fireplace insert only and cannot be used for burning wood or solid fuels unless all original parts have been replaced, and the fireplace re-approved by the authority having jurisdiction."

INSTALLATION CHECKLIST

The Regency Gas Insert is installed as listed below.

- 1) Unit Location - check Clearances to Combustibles on page 6.
- 2) Make the gas connections (see page 6).
- 3) Install the flue or liner to the sliding draft diverter. See page 7.
- 4) Install Flueing, page 7. Slide the unit into the fireplace. Attach draft diverter to the insert.
- 5) Test gas pressure, page 7. Check aeration, page 7.
- 6) Test for flue spillage, page 7.

- 7) Install the optional brick panels. See page 8.
- 8) Install the log set. See page 8.
- 9) Assemble and install the faceplate and trim. See page 10.
- 10) Install the glass front (page 10) and optional Bay Front (page 11).
- 11) Install both louvres, flush (page 10) or Bay (page 11).
- 12) Install Optional Remote Control and Optional Wall Thermostat, page 15.
- 13) **Final check:** Before leaving this unit with the customer, the installer must ensure that the appliance is firing correctly. This includes:
 - a) Clocking the appliance to ensure the correct firing rate.
 - b) Adjusting the primary air, if required, to ensure that the flame does not carbon. See page 7.
 - c) Ensuring that the appliance is flueing correctly. See page 7.

MATERIALS REQUIRED

No electric power supply is required for the gas control to operate. A 240 Volt AC power cord is hooked up to the fan switch and blower. Plug 3 wire cord into a suitable receptacle. Do not cut the ground terminal off under any circumstances.

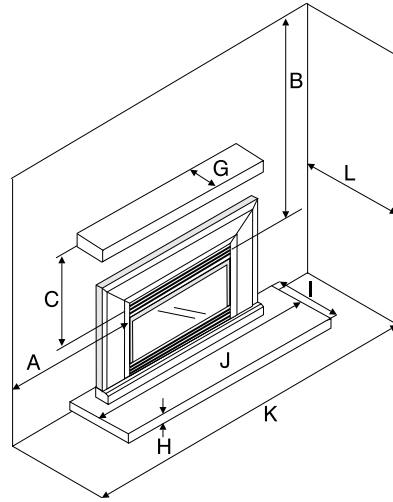
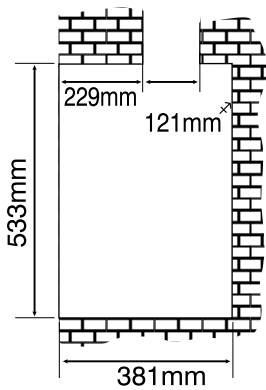
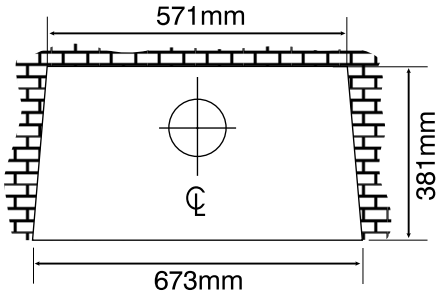
When connected with 240 volts, the appliance must be electrically grounded in accordance with local codes.

Note: This unit is equipped with a heat sensor thermdisc which will prevent the blower from operating until the unit reaches the correct temperature.

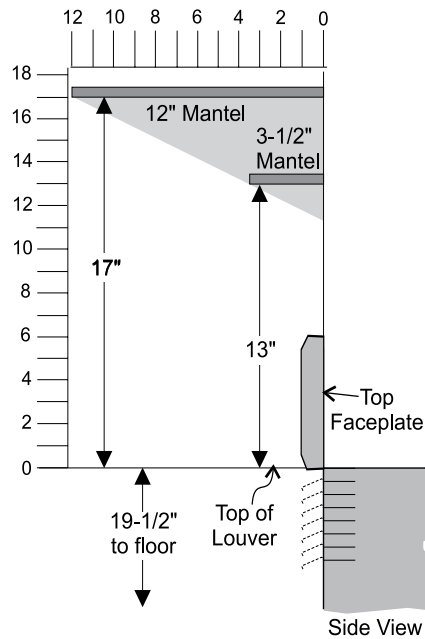
INSTALLATION

MINIMUM FIREPLACE DIMENSIONS

The minimum fireplace dimensions for the Regency gas space heater are shown in the following diagrams:



Mantel Clearances with Bay and Flush Louvres in Masonry Installation



NOTE: Mantel clearances for installation into a Zero Clearance Kit are different. Please refer to the Zero Clearance Kit Manual for details.

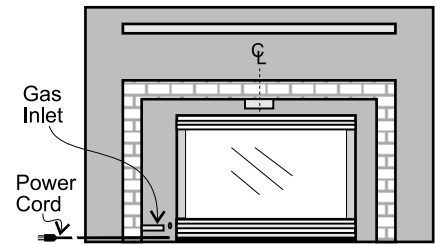
Note: A non-combustible mantel may be installed at a lower height if the framing is made of metal studs covered with a non-combustible board.

Note: A minimum of 38mm must be maintained for the rear of the unit and the rear of the fireplace to ensure correct operation of down draught divert. Ensure the standoff tabs at the rear of the unit are in position.

GAS CONNECTION

GAS CONNECTION WARNING:
Only persons licensed to work with gas piping may make the necessary gas connections to this appliance.

- 1) If the appliance is to be installed into an existing chimney system, thoroughly clean the masonry or factory built fireplace.
- 2) The gas connection is 12" BSP.



- 3) Locate the center point where the flue will pass through the chimney above the appliance. Move the appliance into the exact location where it is to be installed. Ensure that the Insert is level.
- 4) The installer must provide a valve with a plugged tapping, accessible for test gauge connection, immediately upstream of the gas supply connection to the appliance.

CAUTION: If the glass is removed or opened for servicing, it must be replaced and closed prior to operating the appliance. The glass must be fixed in the door when operating.

MINIMUM CLEARANCES TO COMBUSTIBLES

The minimum fireplace clearances for the Regency gas space heater are shown in the following diagrams:

| | | |
|----------------|------------------|-----------------------|
| | From Unit | |
| Sides | A | 255 mm |
| Ceiling | B | 1205 mm |
| Mantle | C | see Mantel Clearances |

**From Surround
(660 mm x 1016 mm)**

| | | |
|--------------------------|----------|---------|
| Max. Mantle Depth | G | 305 mm |
| Hearth Height | H | 0 mm |
| Hearth Depth | I | 405 mm |
| Hearth Width | J | 1015 mm |

| | | |
|--------------------------|----------|---------|
| Min. Alcove Width | K | 1220 mm |
| Max. Alcove Depth | L | 915 mm |

| SPECIFICATIONS | |
|-------------------|------------------------------|
| | NG |
| INJECTOR SIZE | #37 2.65mm |
| INPUT RATING | Min. 17 MJ/h Max. 31 MJ/h |
| MANIFOLD PRESSURE | Max. 0.9 kPa |

DRAFT DIVERTER CONNECTION

- 1) Attach the flue to the flue collar on the detachable draft diverter. The flue collar of the appliance will fit inside a standard flue and may be fastened directly to the flue by sheet metal screw. Diagram 1.

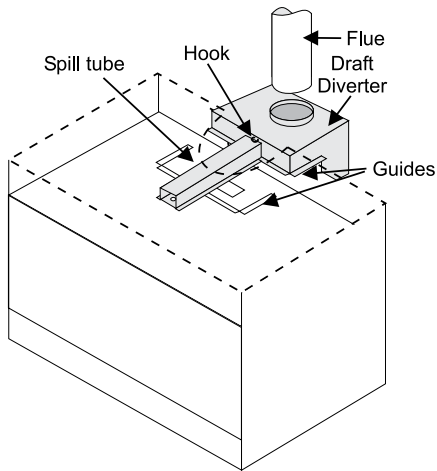


Diagram 1

- 2) Before pushing the appliance into position inside the fireplace, align the draft diverter with the guides on the insert top and push forward. While pushing the unit back into place keep pulling the draft diverter forward until the screw hole in the spill tube bracket aligns with the screw hole in the top of the firebox. The screw is secured through the inside top of the firebox into the bottom of the spill tube bracket. (If screw holes do not line up then draft diverter is not positioned correctly.) Diagram 2.

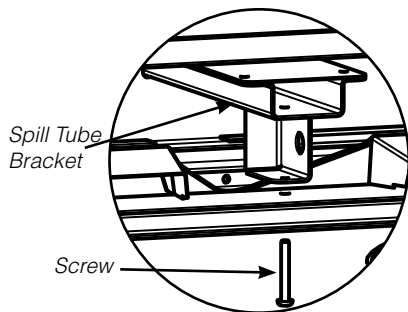


Diagram 2

NOTE: Final gas connection should be after unit is in place to avoid damage to line when pushing the unit into position. If removal of the draft diverter for servicing is required, it must be re-sealed with a high temperature sealant when reinstalling.

FLUEING

THE APPLIANCE MUST NOT BE CONNECTED TO A CHIMNEY FLUE SERVING A SEPARATE SOLID FUEL BURNING APPLIANCE.

This appliance is designed to attach to a 100 mm diameter twin skin or listed gas fuel type flue liner running the full length of the chimney. A minimum flue height of 3.6 m. is recommended. The Regency Inbuilt Fireplace incorporates its own internal draft diverter, so no additional external draft diverter is required.

Periodically check that the flue is unrestricted and an adequate draft is present when the unit is in operation. (See page 7 for spillage test.)

Before installing flue system ensure that the damper plate is open and secure to prevent the damper plate from falling down and crushing the liner.

Install to AS/NZS 5601

Combustion and Ventilation Air

WARNING: This appliance needs fresh air for safe operation and must be installed with provisions for adequate combustion and ventilation air available to the room in which it is to be operating. Always provide adequate combustion and ventilation air. Follow instructions and information in the current AS/NZS 5601 or local codes.

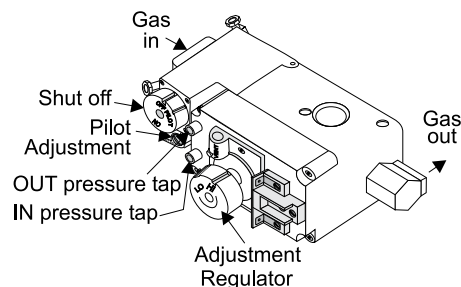
Air for combustion is drawn in through the front of the unit, therefore, the front of the unit must be kept clear of any obstructions.

GAS PRESSURE TEST

The unit is preset to give the correct gas input at the specified manifold pressures shown on the label. The maximum gas manifold pressure is:

NG 0.9 kPa

The manifold pressure is controlled by a regulator built into the gas control, and should be checked at the pressure test point. The pressure check should be carried out with the unit burning and the setting should be within the limits specified.



TEST FOR FLUE SPILLAGE

A "spillage" test must be made before the installed unit is left with the customer. Follow the procedure below:

- 1) Start all exhaust fans in the home and then close all external doors and windows in the house.
- 2) Light the unit and set controls to maximum. Turn fan off.
- 3) After five minutes, test that there is a "pull" on the flue by placing a smoke match, cigarette or similar device which gives off smoke, in front of the spill tube. To ensure a valid test, place a scrap piece of sheet metal (or other noncombustible material) between the spill tube and the upper louvre, this will prevent the natural convection of the unit from interfering with the test. See diagram 1.

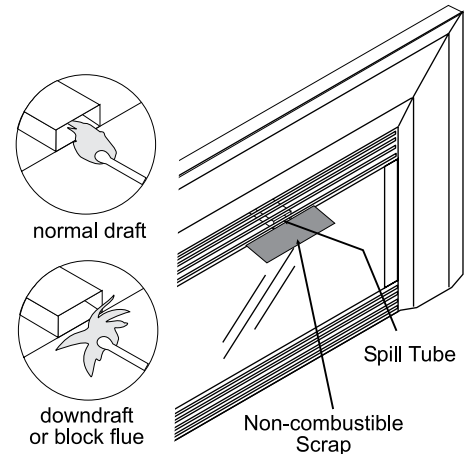
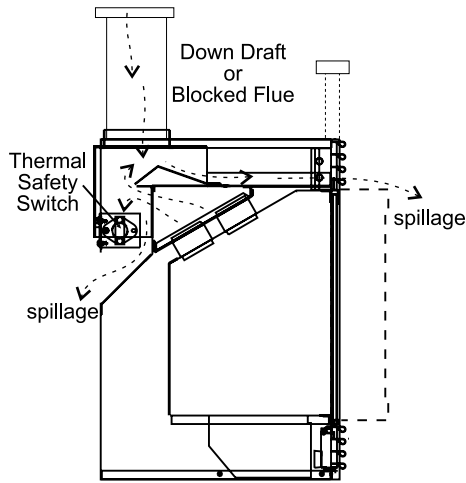


Diagram 1

INSTALLATION

The smoke should be drawn into the spill tube. If the smoke is still not drawn into the spill tube, turn the unit off and check for the cause of the lack of draft. If necessary, rectify.



For wind turbulent sites, a wind cap may remedy the problem.

Note: The thermally activated safety switch will sense the change in temperature and shut down the gas valve in the event of a severe downdraft or a blocked or disconnected flue. The switch acts as a safety shut-off to prevent a build-up of carbon monoxide. If the flue is blocked or has no "draw", the switch will automatically shut off the supply of gas within 5 - 10 minutes. Tampering with the switch can result in carbon monoxide (CO) poisoning and possible death.

If the heater turns off because of lack of draft during the spillage test, check for the cause and if necessary, rectify.

The thermally actuated safety switch will automatically reset after it has cooled off. The switch will continue to cycle until the draft problem is corrected. DO NOT BYPASS OR DISCONNECT THIS SWITCH.

OPTIONAL BRICK PANEL

- 1) Unwrap the brick pattern panels from the protective wrapping.
- 2) Remove the glass front if it is already installed (see manual).
- 3) Put the rear brick panel flat against the back of the unit.
- 4) Before installing the side brick panels, loosen the screws for the brick tabs enough so that you can slide the brick tabs on to the screws easily but that the tabs are secure. For the location of the side brick tab screws see diagram 1.

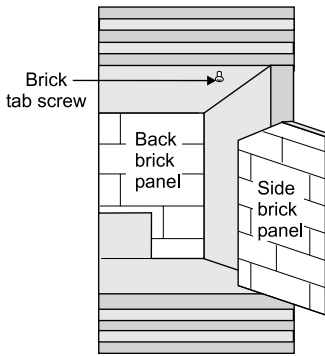


Diagram 1

- 5) Remove the brick tabs and slide the side brick panels into position. See diagram 3. Install the brick tabs. See diagram 2.

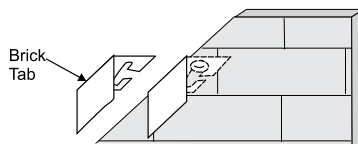


Diagram 2

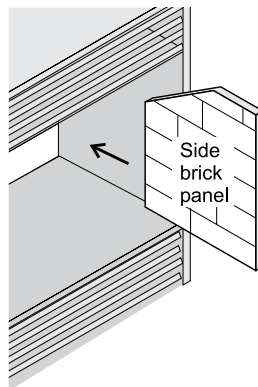


Diagram 3

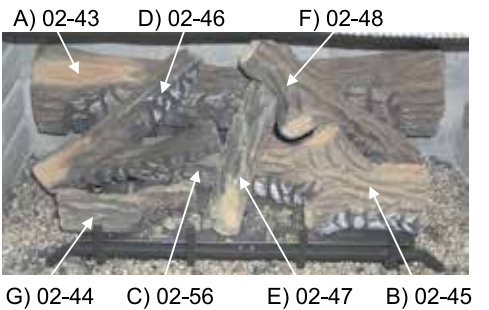
LOG SET INSTALLATION

Read the instructions below carefully and refer to the diagrams. If logs are broken do not use the unit until they are replaced. Broken logs can interfere with the pilot operation.

The gas log kit contains the following:

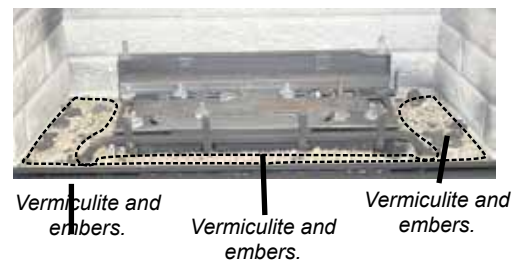
- | | | | |
|----|-----------------------------------|------------------|---------|
| a) | 02-43 | Rear Log | 902-227 |
| b) | 02-45 | Front Right Log | 902-229 |
| c) | 02-56 | Middle Left Log | 902-230 |
| d) | 02-46 | Left Top Log | 902-231 |
| e) | 02-47 | Center Log | 902-232 |
| f) | 02-48 | Middle Right Log | 902-226 |
| g) | 02-44 | Front Left Log | 902-228 |
| h) | Embers and Rockwool | | |
| i) | Vermiculite and Ember combination | | |

Note: Install Optional Brick Panels prior to installing logs.



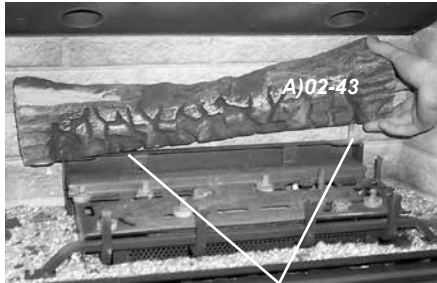
The "02" refer numbers (i.e. 02-43) are molded into the rear of each log.

- 1) Carefully remove the logs from the box and unwrap them. The logs are fragile, handle with care - **do not force into position.**
- 2) Sprinkle the vermiculite and ember combination around the firebox base.



- 3) Place Rear Log A)02-43 on the two pins on the rear log support.

INSTALLATION



Pins on Rear Log Support

- 4) Place Front Right Log B)02-45 on the two pins as shown.

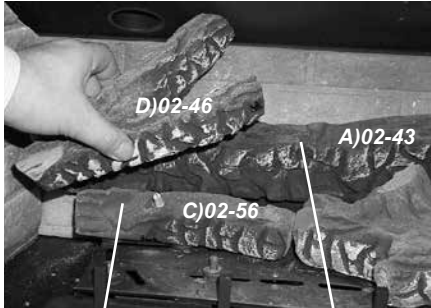


- 5) Place the Middle Left Log C)02-56 on the two pins as shown.



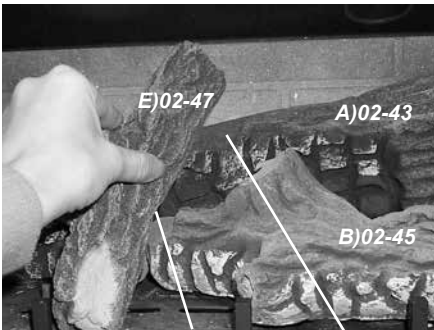
Logs A)02-43, C)02-56, and B)02-45 in position

- 6) Place the Left Top Log D)02-46 on the pin on Log C)02-56 and on top of the cutout on Log A)02-43.



Pin Cutout

- 7) Place the notch in Center Log E)02-47 over Log B)02-45 and across the cutout on Log A)02-43.

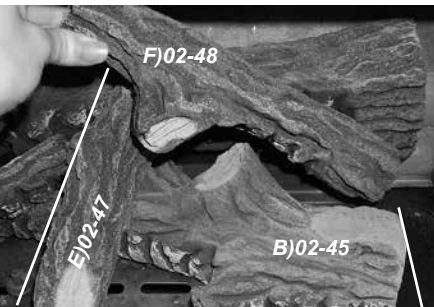


Notch Cutout

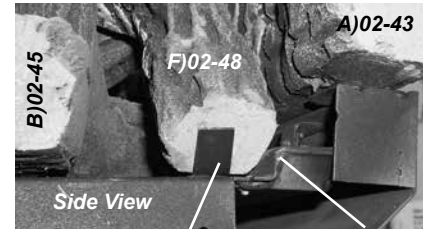


Logs D)02-46 and E)02-47 in position.

- 8) Position notch in Front Right Log F)02-48 on Log E)02-47 and push the bottom right edge against the bracket on the burner tray and the front edge of the rear burner.



Notch Bracket



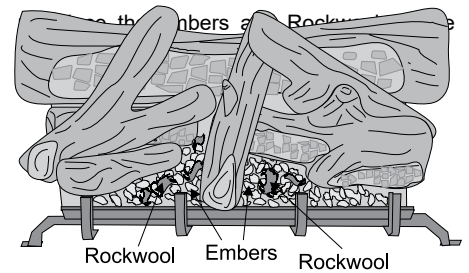
Bracket Front edge of rear burner

The bottom right edge of Log F)02-48 must sit snugly against the bracket and the front edge of the rear burner.

per instructions in this manual.



- 9) Place Front Left Log G)02-44 onto the 2 front pins as shown.



Rockwool Embers Rockwool

exposed front burner tray.

- 11) Test fire to ensure proper light off (make sure flame flows smoothly from one end of burner to the other. If there is any flame hesitation, check that area for any blockage of the burner port.

- 12) Install flush glass and optional bay glass as



INSTALLATION

FACEPLATE & TRIM INSTALLATION

- 1) Lay the faceplate panels flat, face down on something soft so they don't scratch.
- 2) Take the top faceplate and align the holes in it with the holes in the side panels. Using the screws provided, attach from the top of the panel (the holes in the top panel are slightly larger than the holes in the side panel to facilitate easier installation). See diagram 1.

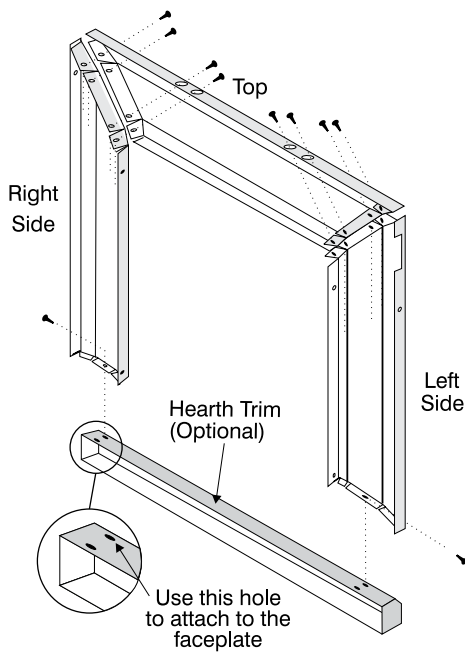


Diagram 1

Hint: Don't tighten the trim to the bottom of the faceplate side panels with the screws provided. See diagram 1.

- 3) Using the connectors provided, join the left side trim (with the ON/OFF switch) to the top trim. Connect the right side trim to the top trim. See diagram 2.

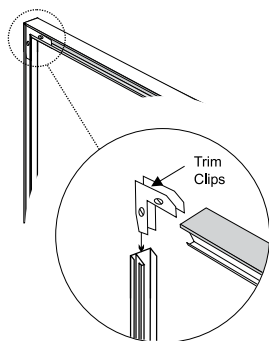
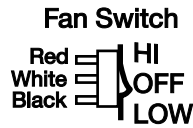


Diagram 2
Rear View: Trim Assembly

- 4) Place the trim on the assembled faceplate panels, aligning the wire connections from the switches with the notch on the left side panel.
- 5) Hookup the 3 Fan Switch wires to the fan switch on the left side trim. Diagram 3.



WARNING: The 3 wires are to the Fan and the 2 wires are to the ON/OFF burner switch. DO NOT connect to the wrong switch.

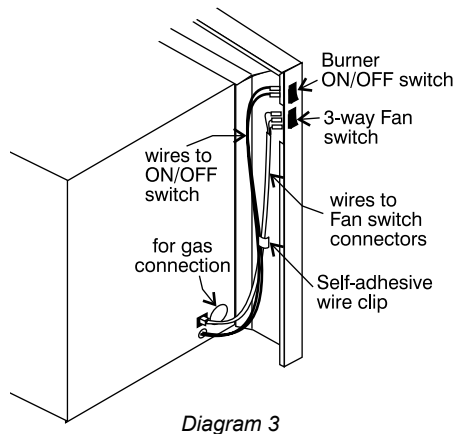


Diagram 3

WARNING:
Ensure that the wires do NOT touch the firebox

- 6) Connect the 2 burner ON/OFF switch wires by taking the yellow and orange wires with the female ends and connecting them to the burner ON/OFF switch.
- 7) Tuck the wires into the faceplate to keep them away from the inbuilt fireplace using the clip provided. Attach the clip to the rear of the faceplate to ensure that the wires do not touch the side of the unit. See diagram 3.
- 8) The power cord should be run behind the faceplate panel.
- 9) Attach the brass trim to the faceplate by drilling a 1/8" hole through into the faceplate using the hole in the trim as a guide. Fasten the trim to the faceplate panels using the plated screws. See diagram 4.
- 10) Attach the faceplate panels* to the inbuilt fireplace body using the 4 remaining black screws. See diagram 5.
- 11) Push the Regency logo plate into the two holes in the bottom left corner of the faceplate. See diagram 4.

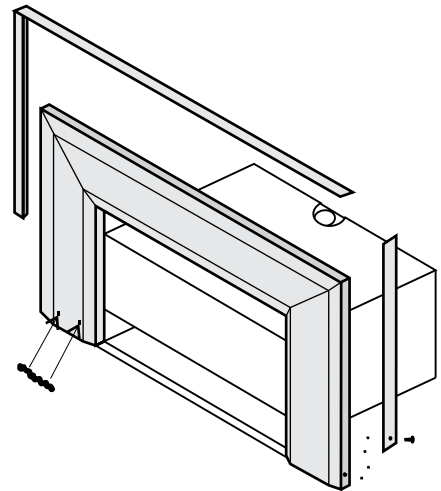


Diagram 4

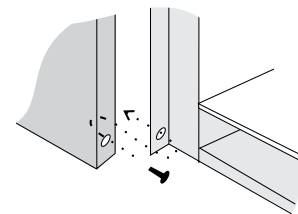
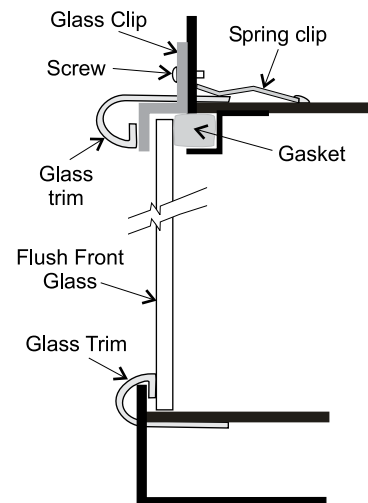


Diagram 5

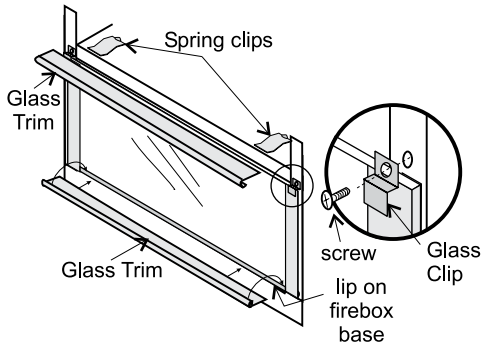
FLUSH FRONT INSTALLATION

- 1) Install Logs before going on to the next step. See the Log Installation instruction sheet or page 8 in the manual.
- 2) Install the bottom glass trim by hooking the trim into the lip on the firebox base. The trim will not fit into place if the glass is installed first.

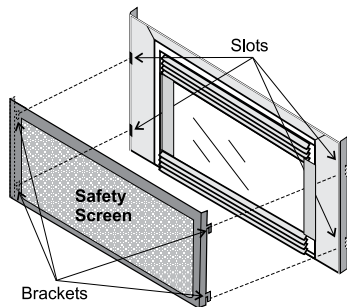


INSTALLATION

- Place the bottom of the flush glass behind the bottom glass trim.
- Secure the glass with the two glass clips at the top corners of the glass. Secure glass clips with the screws provided. Do not over tighten as this could break the glass.
- Slide in the top glass trim under the spring clips.



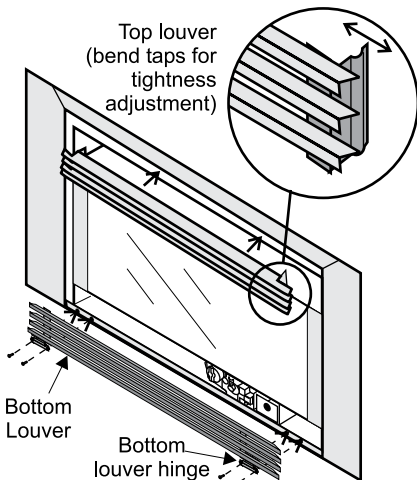
- Install safety screen (only in Australia) by inserting the 4 brackets into the 4 slots.



Note: Optional safety screen only in Australia.

FLUSH LOUVRES

- The top louver is held in place by friction fit, if the louver needs to be adjusted; bend the bracket out as shown in the diagram.

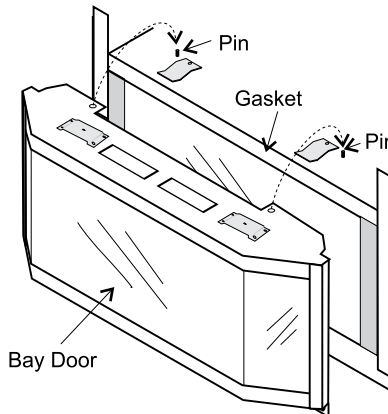


Note: Top and bottom louvres and brackets are different.

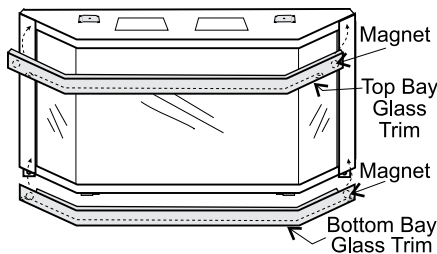
- The bottom louver has a hinge that is attached (2 screws per hinge) to the lip on bottom of the unit.

BAY FRONT INSTALLATION

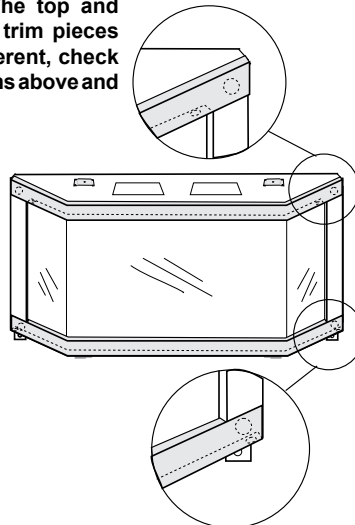
- Place the bay door onto the 2 pins on the top of the unit.



- Position 2 magnets on the back of each trim piece close to the ends. Place the top and bottom trim pieces on the bay front.



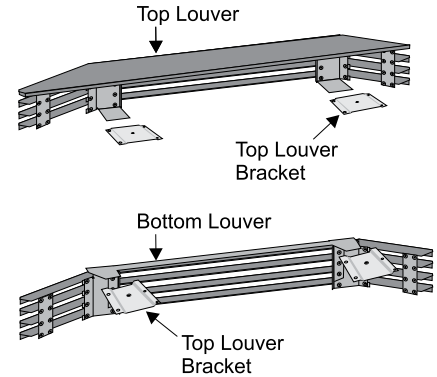
Note: The top and bottom trim pieces are different, check diagrams above and below.



- Install top and bottom louvres.

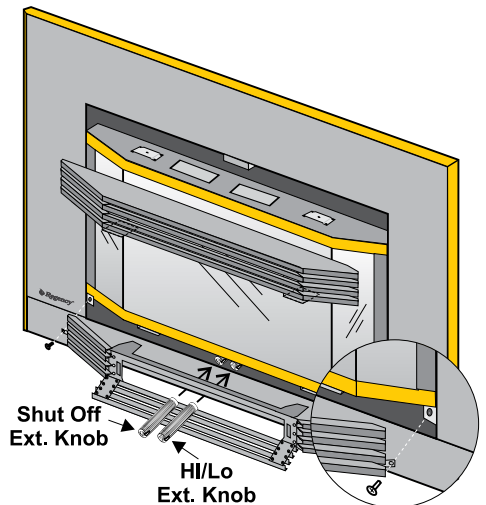
BAY LOUVRES

- Install top louver by sliding the two bracket clips into the brackets located on top of the bay door. See below. The fitted louver leaves a small gap between faceplate bottom and louver top.



- Install bottom louver by sliding the two bracket clips into the brackets located underneath the bay door and secure with 2 screws into the bracket on the bottom of the Bay Front as per diagram above.

- Slide the valve extension knobs onto the valve knobs. Match the correct ext. knob with the valve knob.



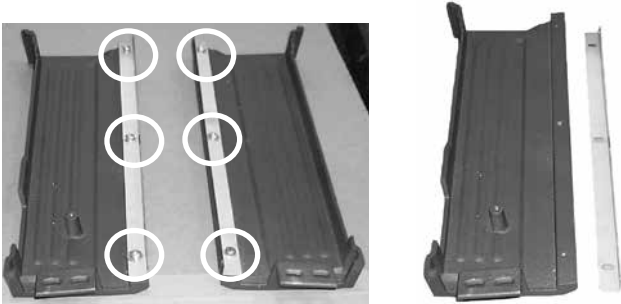
INSTALLATION

HAMPTON CAST FACEPLATE INSTALLATION

NOTE: Do not install Cast Faceplate when unit is installed into a Zero Clearance Unit.

- 1) Lay the faceplate panels flat, face down on something soft so they don't scratch.
- 2) Attach the side filler brackets to the left and right sides using 3 screws and washer per side.

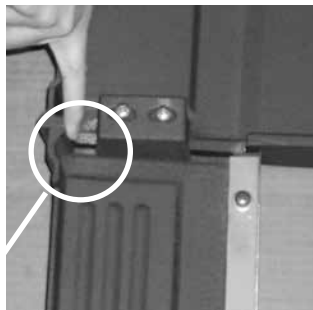
NOTE: There are filler brackets specifically for each side. The way to differentiate this is that on the side of the brackets there are 2 mounting holes. The side where there is a 7/16" gap from the top of the bracket to the mounting hole, must face the top.



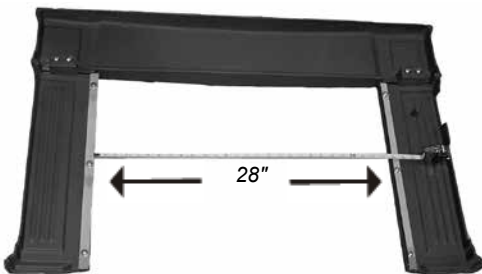
- 3) Attach the right and left cast sides to the top using 2 screws per side.



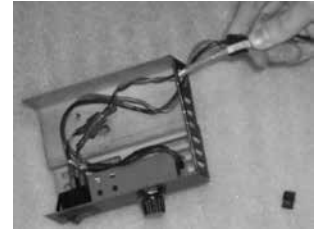
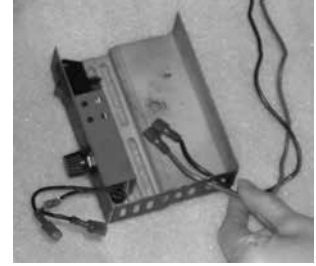
Ensure that the top and sides are aligned.



- 4) Use a measuring tape to ensure that the distance between the left and right side pieces is 28" (711mm).

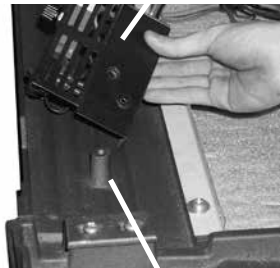


- 5) Connect the ON/OFF switch wires by taking the black and red wires with the blue female ends thru the hole provided and connecting them to the ON/OFF switch.
- 6) Connect the fan switch wires by taking the black and red wires with the male ends (in the grey harness) thru the hole provided and connect them with the wire connectors from the fan speed control.
- 7) Insert wires into the strain relief and install into switch box assembly.



- 8) Place the switch box assembly over the boss on the rear left side piece and secure with one screw.

Switch Box Assembly



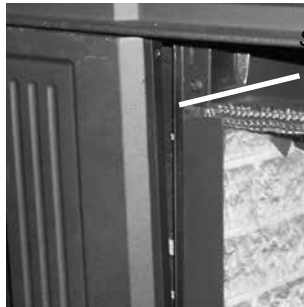
Boss on rear left side piece.



- 9) Tuck the wires into the faceplate to keep them away from the insert using the clip provided. Attach the clip to the rear of the faceplate to ensure that the wires do not touch the side of the unit.
- 10) The power cord should be run behind the faceplate panel.



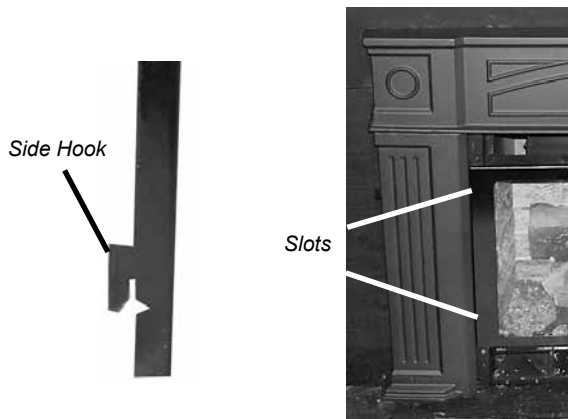
- 11) Mount the cast faceplate panels onto the insert body, sliding the side filler brackets into the space between the glass and the firebox. Secure using the 4 remaining black screws, 2 per side.



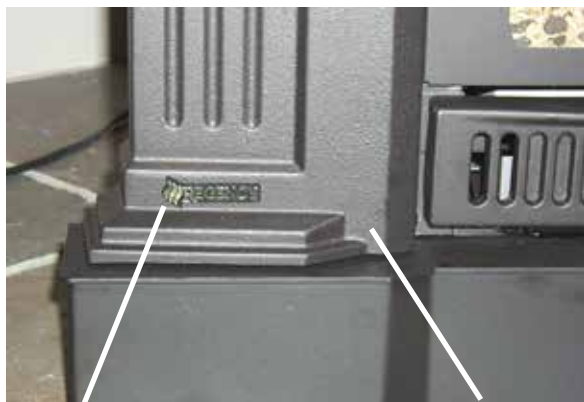
Slide side filler bracket into gap between glass and fire box.



- 12) Install the glass trim by inserting the side hooks on the glass trim into the 4 slots between the faceplate and the glass. Push the glass trim down firmly with both hands to lock into place.



- 13) To put on the Regency logo, peel the sticker from the back of the logo and place it centered on the bottom left hand corner of the faceplate.



Regency Logo

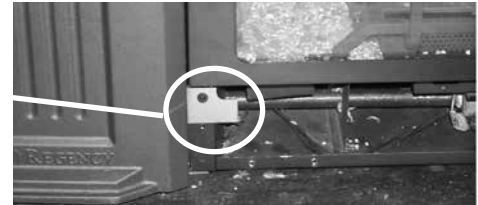
Left Hand Side Faceplate

HAMPTON CAST GRILL INSTALLATION

Before the grills are installed, a grill stop bracket needs to be put in place.

- 1) The grill stop bracket is installed in the bottom left corner just under the firebox with the screw supplied as shown below.

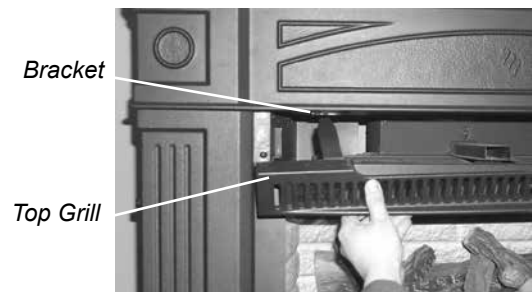
Grill Stop Bracket



- 2) Place top grill into brackets located inside top of firebox as shown.

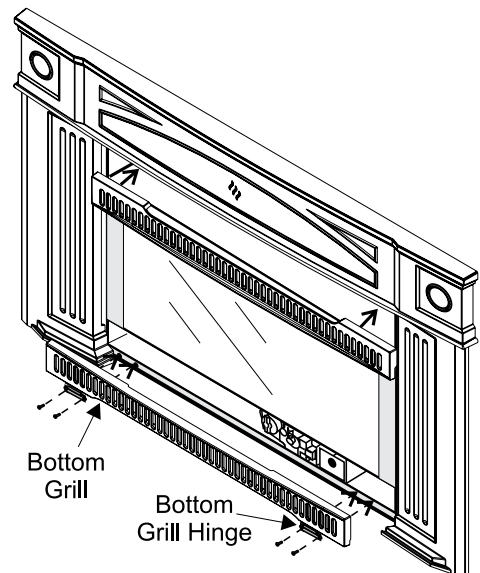


Bracket inside top of firebox.



Note: The top louver should be placed with the curved cut-out facing up.

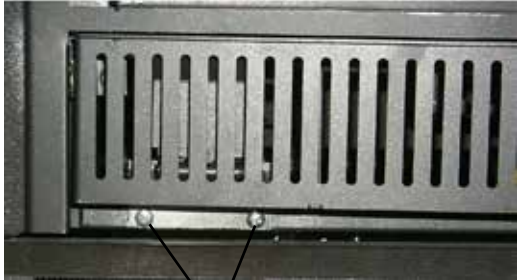
- 3) The bottom louver, shown in the diagram below, has 2 hinges that are attached to the lip on bottom of the unit. Secure using 2 screws per hinge.



INSTALLATION

BAROSSA CURVED FRONT INSTALLATION

- 1) Install bottom louver by matching the holes in louver bracket with holes in firebox frame and secure using 2 screws on each side.



Secure louver by using 2 screws.



- 2) Pull down louver.
3) Fix brackets onto firebox, one on each side using 1 screw per side.



Secure bracket with screw.

- 4) Fit plates on back of screen into brackets on top of firebox. Press in to secure from top.



Brackets on firebox.



- 5) Secure bottom of screen using 1 screw on each side into the brackets fixed onto the firebox in step 3.



Secure with screw.

- 6) Close louver.

INSTALLATION

OPTIONAL REMOTE CONTROL

Use the Optional Remote Control Kit approved for this unit. Use of other systems may void your warranty.

The remote control kit comes with a hand held transmitter, a receiver and a wall mounting plate.

- 1) Choose a convenient location on the wall to install the receiver and the receptacle box (protection from extreme heat is very important). Run wires from the fireplace to that location. Use Thermostat Wire Table.
- 2) Connect the two wires to the gas valve.
- 3) Install a 9V alkaline battery in both receiver and the transmitter. Install the receiver and

cover in the wall. The remote control is now ready for operation.

CAUTION
Do not connect the millivolt remote control wires to the 240V wires.

CAUTION
Do not connect the millivolt wall thermostat wires to the 240 V wires.

Thermostat Wire Table

| Recommended Maximum Lead Length (Two-Wire) When Using Wall Thermostat (CP-2 System) | |
|-------------------------------------------------------------------------------------------|-------------|
| Wire Size | Max. Length |
| 14 GA. | 15.24 m |
| 16 GA. | 9.75 m |
| 18 GA. | 6.10 m |
| 20 GA. | 3.66 m |
| 22 GA. | 2.71 m |

OPTIONAL WALL THERMOSTAT

A wall thermostat may be installed if desired. Use chart below to determine thermostat wire length.

Note: Preferable if the thermostat is installed on an interior wall.

Use a CSA, UCL or UL approved millivolt thermostat, 250-750 millivolt rated. A non-anticipator type thermostat must be used.

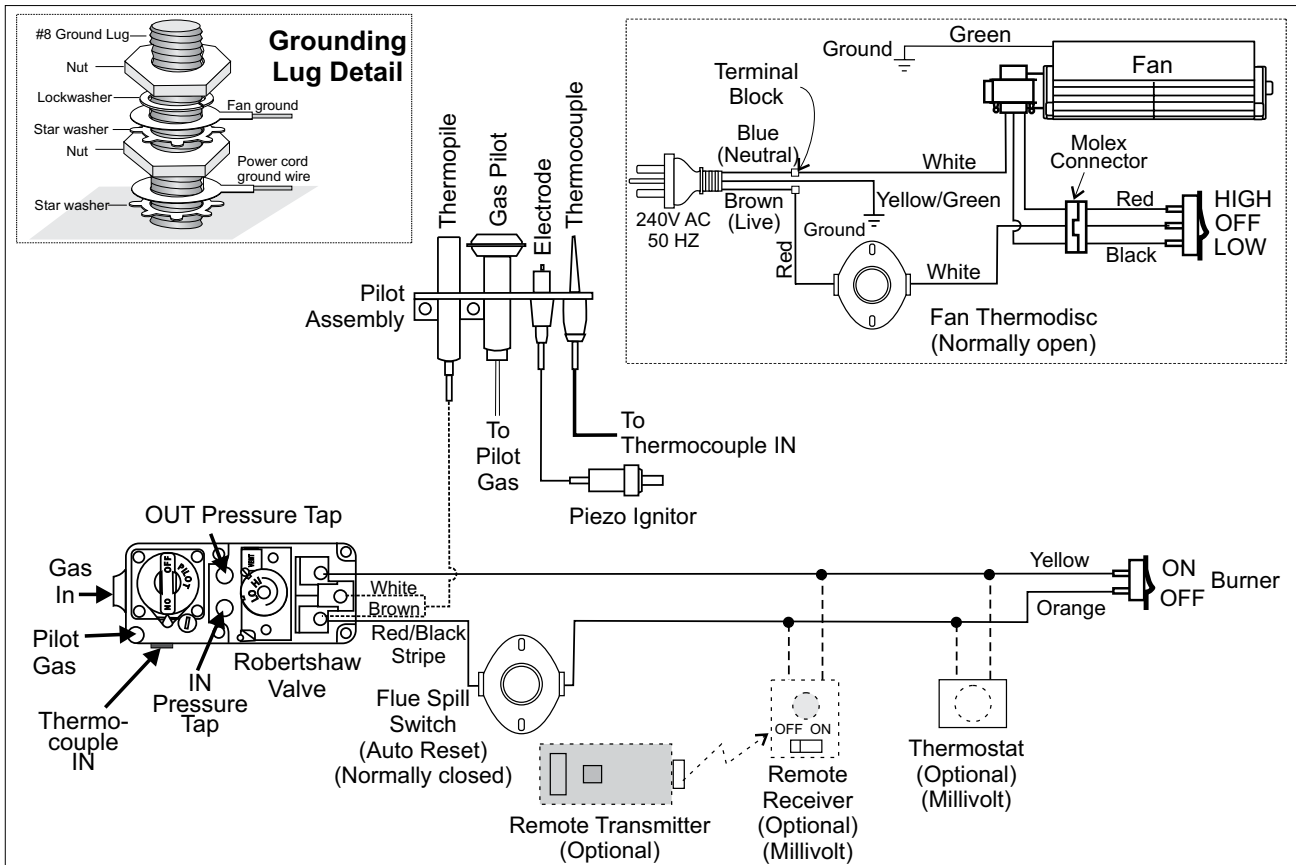
WIRING

No electrical power supply is required for the gas control to operate. However, a 240V A.C. power supply is needed for the fan/blower operation.

Caution: Ensure that the wires do not touch any hot surfaces and are away from sharp edges.

WARNING: Electrical Grounding Instructions
This appliance is equipped with a three pronged (grounding) plug for your protection against shock hazard and should be plugged directly into a properly grounded three-prong receptacle. Do not cut or remove the grounding prong from this plug.

CAUTION:
Label all wires prior to disconnection when servicing controls. Wiring errors can cause improper and dangerous operation.



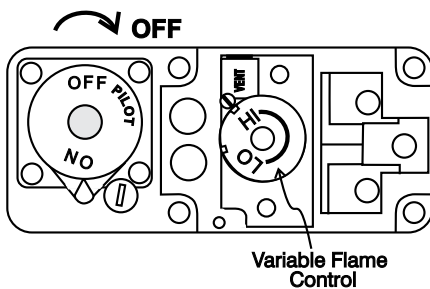
OPERATING INSTRUCTIONS

OPERATING INSTRUCTIONS

Before operating this appliance, proceed through the following check list.

- 1) Read and understand these Instructions before operating this appliance.
- 2) Check to see that all wiring is correct and enclosed to prevent possible shock.
- 3) Check to ensure there are no gas leaks.
- 4) Make sure the glass door is in place. Never operate the appliance with the door glass removed.
- 5) Verify that all flueing and the cap is unobstructed.
- 6) Verify log placement. If the pilot cannot be seen when lighting the unit - the logs or the embers have been incorrectly positioned.
- 7) The unit should never be turned off and on again without a minimum of a 60 second wait.
- 8) When lighting the appliance, the inside of the glass may fog up. This will burn off after a few minutes of operation.
- 4) Wait five minutes to allow gas, that may have accumulated in the main burner compartment, to escape. If you do smell gas, follow the instructions on the front of this manual. If you don't smell gas continue on to the next step.
- 5) Turn the gas control counter clockwise to "PILOT".
- 6) Push in control knob all the way and hold in. Continually push and release the black button on spark igniter until pilot lights. Continue to hold the control knob in for approximately one minute, then release the gas control knob. The pilot flame should continue to burn. If the pilot does not remain lit, repeat operation allowing a longer period before releasing gas control knob.
- 7) Turn gas control knob counter clockwise to "ON".
- 8) Use the rocker switch to operate main burner.
- 9) Rotate the variable flame control to adjust the flame height higher or lower.
- 10) Close the bottom louver assembly.

DO NOT BURN THE APPLIANCE WITH THE GLASS ASSEMBLY REMOVED.



LIGHTING PROCEDURE

IMPORTANT: Gas cock knob cannot be turned from "PILOT" to "OFF" unless it is partially depressed.

- 1) Open the bottom louver assembly
- 2) If the control knob is in the "OFF" position proceed to Step 5.
- 3) Push in gas control knob slightly and turn clockwise to "OFF". Knob cannot be turned from "PILOT" to "OFF" unless knob is pushed in slightly. Do not force.

SHUTDOWN PROCEDURE

- 1) Use the rocker switch to turn off the main burner.
- 2) Open the bottom louver assembly.
- 3) Push in the gas control knob slightly and turn clockwise to "OFF". Do not force.
- 4) Disconnect all electric power and gas to the appliance if service is to be performed.

FIRST FIRE

The first fire in your stove is part of the paint curing process. To ensure that the paint is properly cured, it is recommended that you burn your fireplace for at least four (4) hours the first time you use it with the fan on. When first operated, the unit will release an odour caused by the curing of the paint, the burning off of any oils remaining from manufacturing. Smoke detectors in the house may go off at this time. Open a few windows to ventilate the room for a couple of hours.

The glass panel may require cleaning after the unit has cooled down.

DO NOT ATTEMPT TO CLEAN THE GLASS WHILE IT IS HOT.

Note: When the glass is cold and the appliance is lit, it may cause condensation and fog the glass. This condensation is normal and will disappear in a few minutes as the glass heats up.

DO NOT BURN THE APPLIANCE WITHOUT THE GLASS FRONT IN PLACE.

AUTOMATIC CONVECTION FAN OPERATION

The fan operates automatically, press the High/Low Fan switch on the side of the faceplate to adjust to the desired speed. The fan will turn on as the stove comes up to operating temperature. After the unit has been turned off and the unit cooled to below a useful heat output range the fan will shut off automatically.

NORMAL OPERATING SOUNDS OF GAS APPLIANCES

It is possible that you will hear some sounds from your gas appliance. This is perfectly normal due to the fact that there are various gauges and types of steel used within your appliance. Listed below are some examples. All are **normal operating sounds** and should not be considered as defects in your appliance.

Blower:

Regency gas appliances use high tech blowers to push heated air farther into the room. It is not unusual for the fan to make a "whirring" sound when ON. This sound will increase or decrease in volume depending on the speed setting of your fan speed control.

Burner Tray:

The burner tray is positioned directly under the burner tube(s) and logs and is made of a different gauge material from the rest of the firebox and body. Therefore, the varying thicknesses of steel will expand and contract at slightly different rates which can cause "ticking" and "cracking" sounds. You should also be aware that as there are temperature changes within the unit these sounds will likely re-occur. Again, this is normal for steel fireboxes.

Blower Thermodisc:

When this thermally activated switch turns ON it will create a small "clicking" sound. This is the switch contacts closing and is normal.

OPERATING INSTRUCTIONS

COPY OF LIGHTING INSTRUCTION PLATE

FOR YOUR SAFETY READ BEFORE LIGHTING

This appliance must be installed in accordance with local codes, if any; if none, follow the National Fuel Gas Code, ANSI Z223.1/NFPA 54, or Natural Gas and Propane Installations Codes, CSA B149.1. (Australia: AS5601-2004/ New Zealand: NZS 5261)

WARNING: If you do not follow these instructions exactly, a fire or explosion may result causing property damage, personal injury or loss of life. Improper installation, adjustment, alteration, service or maintenance can cause injury or property damage. Refer to the owner's information manual provided with this appliance. For assistance or additional information consult a qualified installer, service agency or gas supplier.

A) This appliance has a pilot which must be lighted by hand, following the instructions below exactly.

B) BEFORE LIGHTING smell all around the appliance area for gas. Be sure to smell next to the floor because some gas is heavier than air and will settle on the floor.

WHAT TO DO IF YOU SMELL GAS:

- Do not try to light any appliance.
- Do not touch any electric switch, do not use any phone in your building.
- Immediately call your gas supplier from a neighbors phone. Follow the gas supplier's instructions.
- If you cannot reach your gas supplier, call the fire department.

C) Use only your hand to push in or turn the gas control knob. Never use tools. If the knob will not push in or turn by hand, do not try to repair it, call a qualified service technician. Force or attempted repair may result in a fire or explosion.

D) Do not use this appliance if any part has been under water. Immediately call a qualified service technician to inspect the appliance and to replace any part of the control system and any gas control which has been under water.

This appliance needs fresh air for safe operation and must be installed so there are provisions for adequate combustion and ventilation air.

CAUTION: Hot while in operation. Do not touch. Severe Burns may result. Due to high surface temperatures keep children, clothing and furniture, gasoline and other liquids having flammable vapors away. Keep burner and control compartment clean. See installation and operating instructions accompanying appliance.

LIGHTING INSTRUCTIONS

STOP! Read the safety information above on this label.

- 1) Push in gas control knob slightly and turn clockwise to "OFF". Knob cannot be turned from "PILOT" to "OFF" unless knob is pushed in slightly. Do not force.
- 2) Wait five (5) minutes to clear out any gas. If you then smell gas STOP! follow "B" in the safety information above on this label. If you do not smell gas, go to the next step.
- 3) Turn knob on gas control counterclockwise to "PILOT" .
- 4) Push in control knob all the way and hold in. Immediately push black button on spark igniter until pilot lights. Continue to hold the control knob in for about 1/2 minute after the pilot is lit.

Release knob and it will pop back up. Pilot should remain lit. If it goes out, repeat steps 3) and 4). If knob does not pop up when released, stop and immediately call your service technician or gas supplier. If the pilot will not stay lit after several tries, turn the gas control knob to "OFF" and call your service technician or gas supplier.

- 5) Turn gas control knob counterclockwise to "ON".
- 6) Use rocker switch to operate main burner.

PILOT BURNER VEILLEUSE THERMOPILE ELEMENT THERMO-ELECTRIQUE OFF

TO TURN OFF GAS APPLIANCE

- 1) Push in the gas control knob slightly and turn clockwise to "OFF". Do not force.
- 2) Turn off all electric power to the appliance if service is to be performed.

You may shut off the pilot during prolonged non use periods to conserve fuel.

DO NOT REMOVE THIS INSTRUCTION PLATE

908-401c

MAINTENANCE INSTRUCTIONS

1) Always turn the gas valve to off before cleaning. For relighting, refer to lighting instructions. Keep the burner and control compartment clean by brushing and vacuuming at least once a year. When cleaning the logs, use a clean soft paint brush as the logs are fragile and easily damaged.

2) Clean (never when unit is hot) appliance, door and louvres with a damp cloth. Never use an abrasive cleaner. The gold louvres (and optional gold door) may be scratched if abrasives are used to clean them. The heater is finished in a heat resistant paint and should only be refinished with heat resistant paint (not with wall paint). Regency uses StoveBrite Paint - Metallic Black #6309.

3) Make a periodic check of burner for proper position and condition. Visually check the flame of the burner periodically, making sure the flames are steady; not lifting or floating. If there is a problem, call an authorised service person.

4) The appliance and flueing system must be inspected before use, and at least annually, by an authorised field service person, to ensure that the flow of combustion and ventilation air is not obstructed.

During the annual service call, the burners should be removed from the burner tray and cleaned. Replace the embers but do not block the pilot.

5) Keep the area near the appliance clear and free from combustible materials, gasoline and other flammable vapours and liquids.

Pilot Flame:

While the pilot flame is on it can make a very slight "whisper" sound.

Gas Control Valve:

As the gas control valve turns ON and OFF, a dull clicking sound may be audible, this is normal operation of a gas regulator or valve.

Unit Body/Firebox:

Different types and thicknesses of steel will expand and contract at different rates resulting in some "cracking" and "ticking" sounds will be heard throughout the cycling process.

ANY SERVICING OR REPAIRS SHOULD BE CARRIED OUT ONLY BY AN AUTHORISED PERSON.

WARNING: CHILDREN AND ADULTS SHOULD BE ALERTED TO THE HAZARDS OF HIGH SURFACE TEMPERATURE AND SHOULD STAY AWAY TO AVOID BURNS OR CLOTHING IGNITION. YOUNG CHILDREN SHOULD BE CAREFULLY SUPERVISED WHEN THEY ARE IN THE SAME ROOM AS THE APPLIANCE.

MAINTENANCE

CAUTION: ANY SAFETY SCREEN OR GUARD REMOVED FOR SERVICING AN APPLIANCE MUST BE REPLACED PRIOR TO OPERATING THE APPLIANCE.

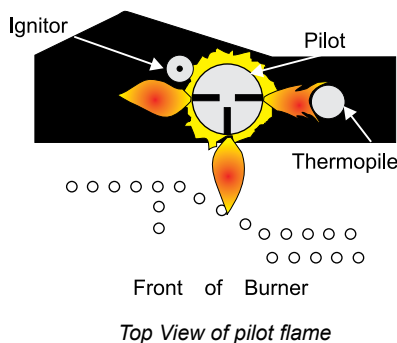
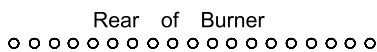
CLOTHING OR OTHER FLAMMABLE MATERIAL SHOULD NOT BE PLACED ON OR NEAR THE APPLIANCE.

- 6) Each time the appliance is lit, it may cause condensation and fog the glass. This condensation and fog is normal and will disappear in a few minutes as the glass heats up.

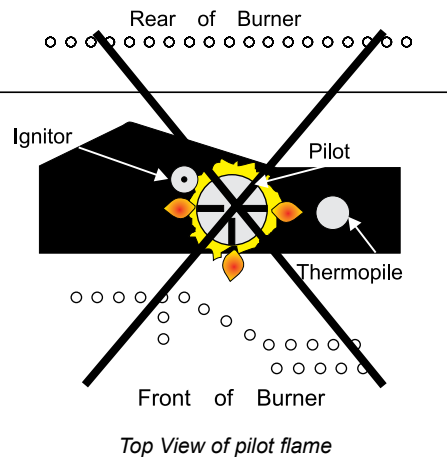
Never operate the appliance without the glass properly secured in place, with broken glass or with the door open.

- 7) Verify proper operation after servicing.
- 8) Periodically check the pilot flames, there should be three strong blue flames approx. 3/4" long - 1 flame to the front burner, and 1 to the thermopile and one to the left. See diagrams below.

Correct flame pattern has two strong blue flames: 1 flowing around the thermopile and 1 reaching towards the rear burner (it does not have to be touching the burner).



Incorrect flame pattern will have small, probably yellow flames, not coming into proper contact with the rear burner or thermopile.



If you have an incorrect flame pattern, contact your Regency dealer for further instructions.

WARNING
Do not spray aerosols in the vicinity of this appliance while in operation.

GOLD-PLATED TRIM

The 24 carat gold plated finish on the trim requires little maintenance, and need only be cleaned with a damp cloth. **DO NOT** use abrasive materials or chemical cleaners, as they may harm the finish and void the warranty.

Clean any fingerprints off before turning the unit on. If the top louvres start to discolour, check the door gasket seal and replace if necessary.

LOG REPLACEMENT

The unit should never be used with broken logs. Turn off the gas valve and allow the unit to cool before opening door to carefully remove the logs. The pilot light generates enough heat to burn someone. If for any reason a log should need replacement, you must use the proper replacement log. The position of these logs must be as shown in the diagram under Log Installation.

NOTE: Improper positioning of logs may create carbon build-up and will alter the unit's performance which is not covered under warranty.

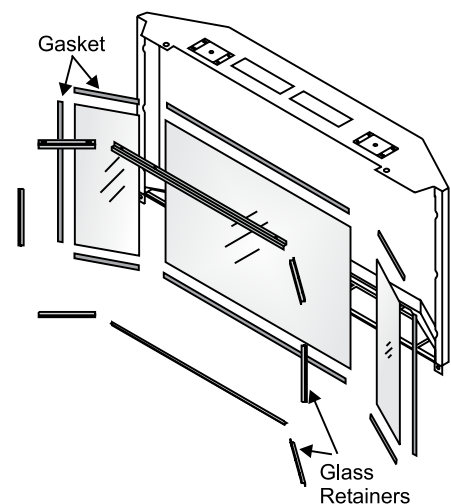
DOOR GLASS REPLACEMENT

Your Regency stove is supplied with high temperature, 5 mm Neoceram ceramic glass that will withstand the highest heat that your unit will produce. In the event that you break your glass by impact, purchase your replacement from an authorised Regency dealer only, and follow our step-by-step instructions for replacement.

WARNING: do not operate appliance with the glass front removed, cracked or broken. Replacement of the glass should be done by a licensed or authorised service person.

Bay Glass Removal

- 1) Remove the door from the unit and place on a soft surface to prevent scratching.
- 2) Remove the nuts holding the glass retainers in place.
- 3) Remove the glass retainers (sides, top and bottom).
- 4) Replace the glass. **The glass must have gasketing around it.**
- 5) Reverse the previous steps, replace the retainers and fasten with the nuts but do not over tighten, as this can break the glass.
- 6) Replace door on the stove and check the seal.



Flush Glass Replacement

Slide old glass out of the side frames and replace with new glass.

GLASS GASKET

If the glass gasket requires replacement use 7/8" flat glass gasket (Part # 936-243) for the Bay Front and for the Flush Front.

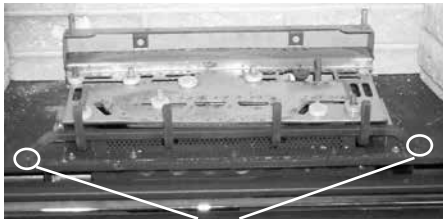
FAN MAINTENANCE

If your fan requires maintenance or replacement, access to the fan is through the plate on the rear wall of the firebox. **NOTE: the unit MUST NOT be operated without the fan access panel securely in place.**

CAUTION: Label all wires prior to disconnection when servicing controls. Wiring error can cause improper and dangerous operation.

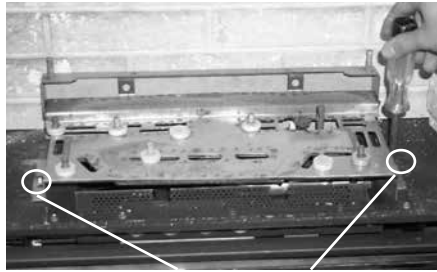
To remove fan:

- 1) Turn the unit off and allow it to cool to room temperature.
- 2) Unplug or disconnect power source to stove.
- 3) Remove glass front (see page 10).
- 4) Remove logs.
- 5) Remove brick panels.
- 6) Remove the Grate by removing the screws on each side of the grate.

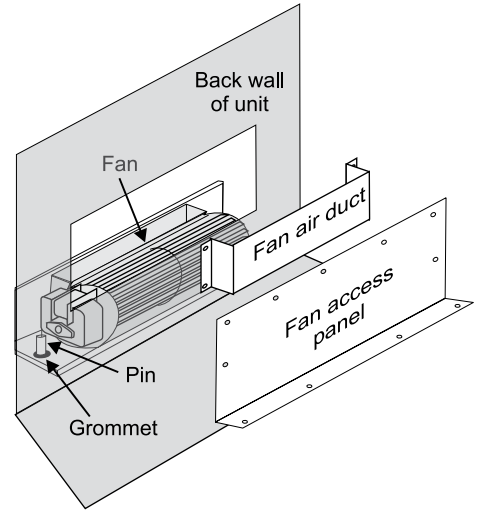


Remove the 2 screws holding the grate in position.

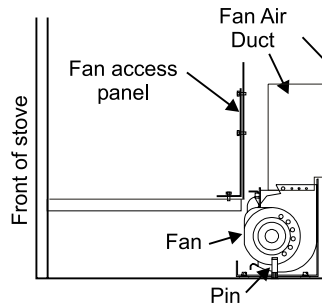
- 7) Remove the Burner Tray by removing the screws on each side of the tray. Push the tray to the left and lift up.



Remove the 2 screws, push Burner Tray to the left, and lift off.



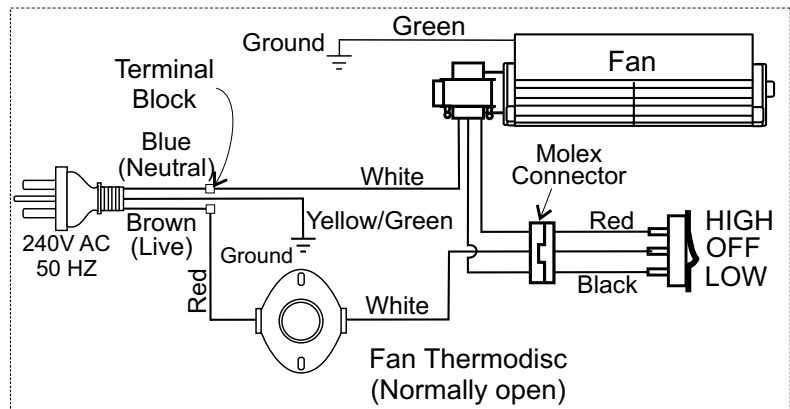
- 8) Remove the 11 screws holding the Access Panel in place.
- 9) Remove the Fan Air Duct by removing 4 screws, 2 per side.



- 10) Unplug the black wires from the fan motor (from inside the stove).
- 11) Lift Fan Assembly off of the 2 pins, tip forward and pull through firebox opening.
- 12) Disconnect green wire from power cord.

Replacing fan:

Reverse above steps. Hint for pushing fan down onto pins - rub a bit of dish soap on the grommet so it will slide more easily onto the pin. Check to make sure the fan is seated properly on the pins, this is very important- try to move the fan back and forth, there should be no noise, if there is check that the grommets haven't come loose.



MAINTENANCE

| TROUBLE SHOOTING REGENCY GAS SPACE HEATER | | |
|------------------------------------------------------|-----------------------------------------------------------------------------------------------------------------------------------------------------|---------------------------------------------------------------------------------------------------------------------------------------------------------|
| SYMPTOM | PROBABLE CAUSE | CORRECTIVE ACTION |
| 1) Thin black coating [soot] forms on viewing glass. | a) Incorrect gas pressure b) Not enough combustion air | Check and correct gas pressure if sooting continues open aeration shutter on burner. Note: To clean glass, remove and wipe with cloth or paper towel |
| 2) A change in flame appearance or burner operations | a) A change in gas pressure b) Carbon dirt or lint | Check gas pressure. Clean out carbon, spider webs, lint etc. from burner area. |
| 3) No air flow | a) Fan failure | Check and replace fan assembly Check and replace fan switch Check and replace thermodisc |
| 4) Burners will not light. | a) Pilot flame out b) Control knob on pilot c) Low voltage from Thermopile. *280mil volts on pilot *120mil volts when main burner is on | Relight [follow lighting procedure completely] Adjust pilot. Thermopile, check and replace if faulty |
| 5) Pilot goes out. | a) Check thermocouple voltage | Replace thermocouple. |



SERVICE SHOULD BE CARRIED OUT BY AUTHORIZED PERSONNEL ONLY

ABNORMAL OPERATION

If main burner does not light but pilot stays on, shut down heater and contact your dealer. If excessive carbon on logs or glass contact your dealer for service.

THE MAJOR CAUSE OF OPERATING PROBLEMS WITH GAS HEATERS IS IMPROPER GAS PRESSURE

Such problems as changes in flame colour or configuration, burner outages, intermittent operations, changes in heat output, excessive burner noise, are nearly always the result of changes in gas pressure or improper gas pressure at time of installation.

THE MOST IMPORTANT ITEM TO CHECK DURING THE INSTALLATION AND THE FIRST THING TO CHECK WHEN PROBLEMS OCCUR IS GAS PRESSURE.

CHECK DATA PLATE FOR CORRECT PRESSURE SETTINGS

INCORRECT INSTALLATION OR GAS PRESSURE SETTINGS ARE NOT COVERED BY WARRANTY, A SERVICE OR CALLOUT FEE WILL BE CHARGED IN THESE CIRCUMSTANCES

Handling of Ceramic fiber log sets and brick panels

When installing or removing ceramic fiber log sets or ceramic brick panels (if installed) from an appliance we recommend that you use latex gloves and a P1 respiratory filter be used.

We also recommend if when servicing the appliance that any items which may be replaced, not be broken up and are sealed within a heavy duty polythene bag and labeled as RCF waste.

A vacuum with a HEPA filter should be used when cleaning up remaining dust or broken bits.

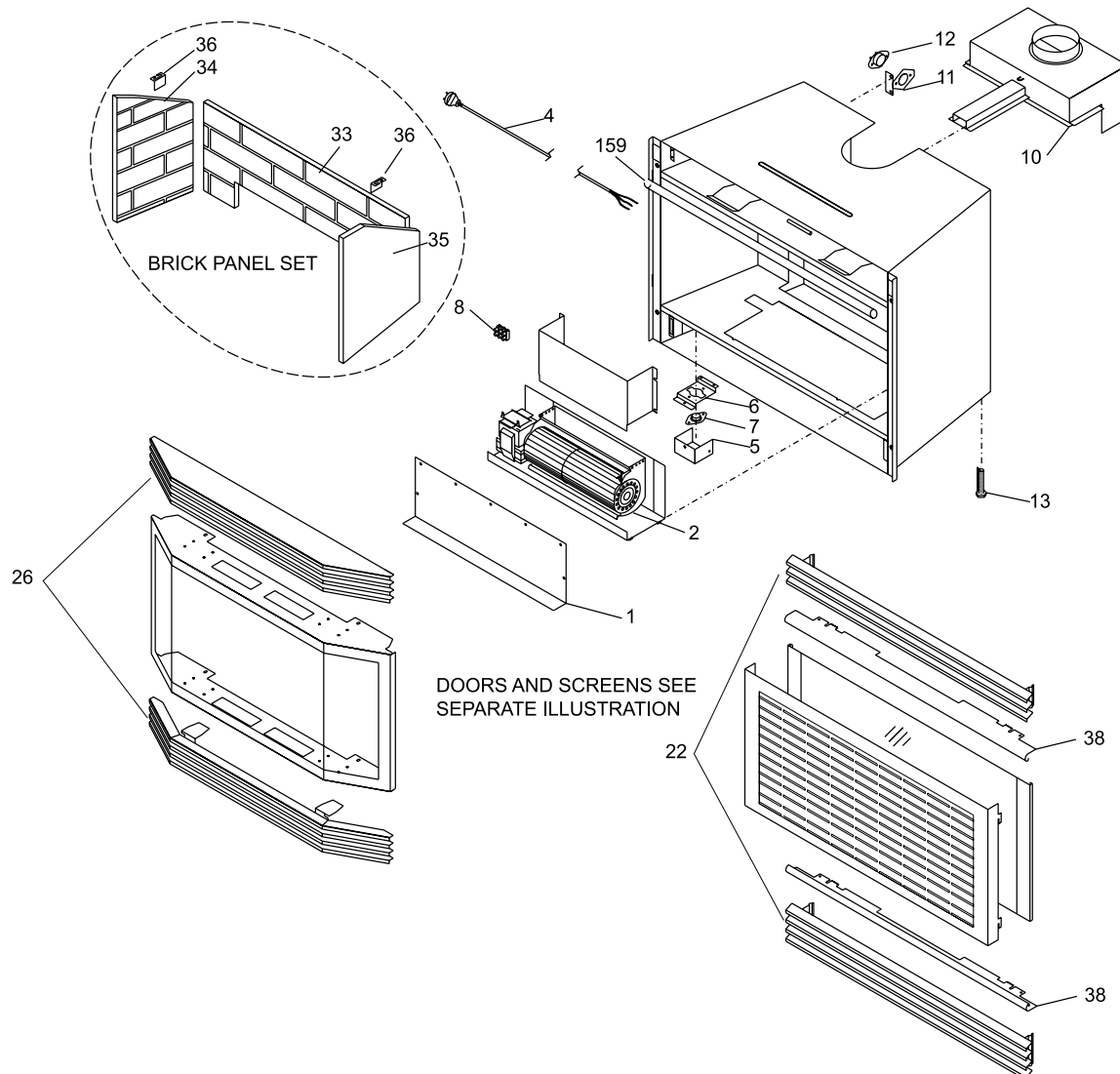
Protective clothing is not required when handling these articles.

RCF waste is classed as stable, nonhazardous waste which may be disposed of at any licensed landfill site.

MAIN ASSEMBLY

| Part # | Description | Part # | Description |
|-----------------------------------------|---------------------------------|--------------|-----------------------------------------------|
| 1) 400-011 | Fan Opening Cover | 22) 402-920 | Flush Louvre set - Black (Top & Bottom) |
| 2) 910-169/P | Fan Motor (240 V) | 402-922 | Flush Louvre set - Gold/Black (Top & Bottom) |
| 4) 910-714 | Power Cord 240 Volts | 402-924 | Flush Louvre set - Steel/Black (Top & Bottom) |
| 910-707 | Wire Harness (Fan end) | | |
| 910-771 | Wire Harness (Faceplate) | 26) 400-990 | Bay Louvre set - Black (Top & Bottom) |
| 5) 400-068 | Thermodisc Cover Mounting Plate | 400-992 | Bay Louvre set - Gold/Black (Top & Bottom) |
| 6) 400-023 | Thermodisc Bracket | 400-993 | Bay Louvre set - Steel/Black (Top & Bottom) |
| 7) 910-142 | Thermodisc-Fan Auto ON/OFF | 402-901 | Brick Panel (Std. Brown) |
| 8) 910-006 | Terminal Block | 402-902 | Brick Panel (Std. Red) |
| 10) 400-540 | Draft Diverter Assembly | | |
| 11) * Spill Switch Bracket | | 33) 902-255 | Brick Panel - Back |
| 12) 910-220 | Spill Switch | 34) 902-176 | Brick Panel - Left Side |
| 13) * Levelling Bolts 5/16 x 3 Hex Head | | 35) 902-177 | Brick Panel - Right Side |
| | | 36) 400-090 | Brick Clips |
| 948-216 | Logo Plate | 38) 402-046 | Glass Support Trim - Black |
| 918-001 | Manual - Regency | 159) 936-233 | 3/4" Rope Gasket |

*Not available as a replacement part.

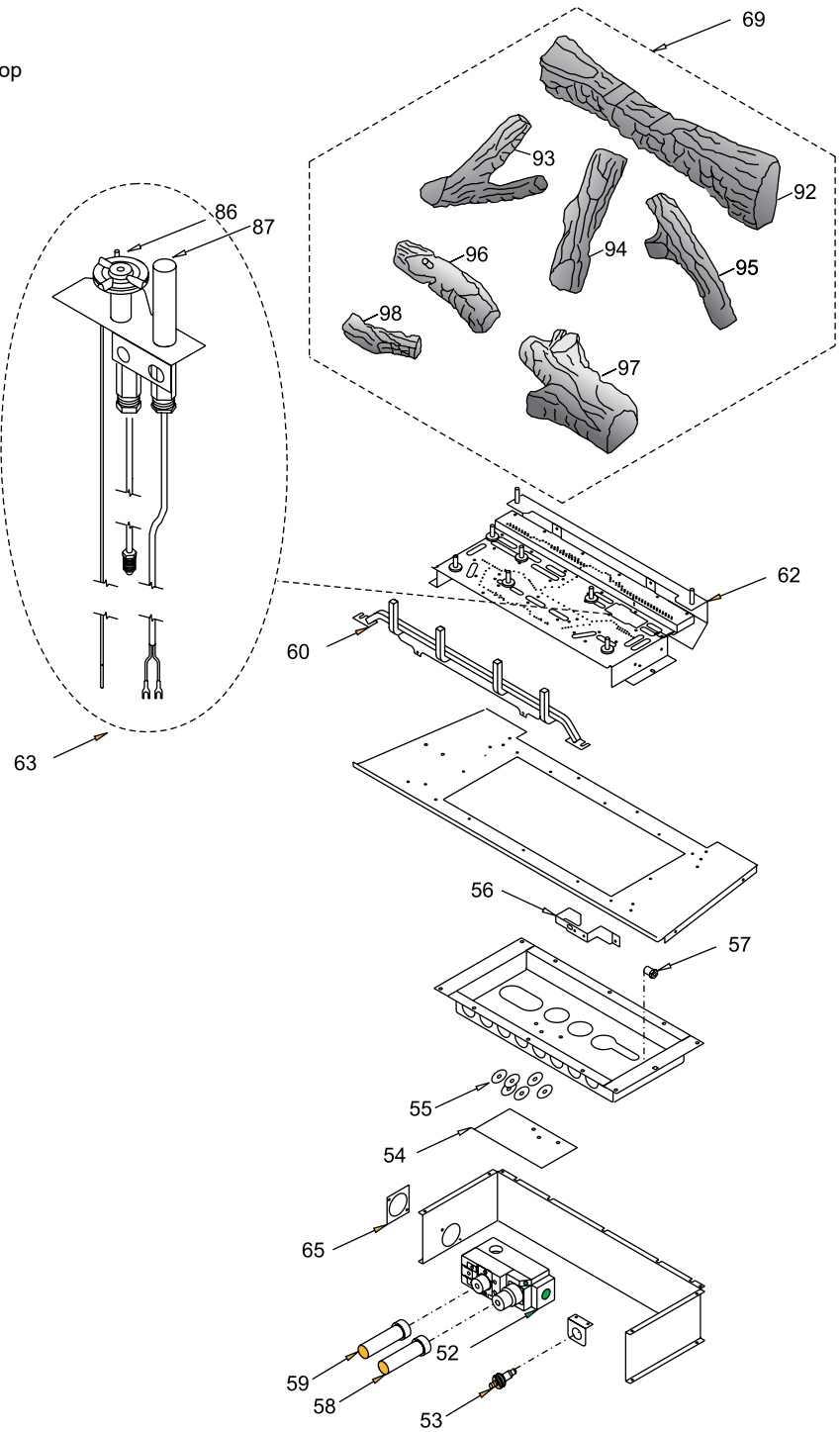


PARTS LIST

BURNER ASSEMBLY & LOG SET

| Part # | Description |
|-------------|-------------------------------------------|
| 402-565/P | Valve Assembly - NG |
| 52) 910-026 | RobertShaw Valve - NG |
| 53) 910-190 | Piezo Ignitor and nut |
| 54) * | Valve Heat Shield |
| 55) 904-702 | Gasket - Valve Heat Shield |
| 56) * | Pilot Bracket |
| 57) 904-240 | Burner Orifice NG #37 |
| 58) 910-424 | Pilot ON/OFF Extension Knob |
| 59) 910-426 | Flame HI/LOW Extension Knob |
| 60) 402-019 | Grate Assembly |
| 62) 402-537 | Burner Assembly - NG |
| 63) 910-034 | Pilot Assy (NG) - 3 flame convertible top |
| 65) * | Burner Shroud Gasket |
| 69) 402-935 | Log Set |
| 402-572 | Ember Package |
| 86) 910-386 | Thermocouple |
| 87) 910-341 | Thermopile |
| 92) 902-267 | Rear Log |
| 93) 902-231 | Left Top Log |
| 94) 902-232 | Center Log |
| 95) 902-226 | Middle Right Log |
| 96) 902-230 | Middle Left Log |
| 97) 902-229 | Front Right Log |
| 98) 902-228 | Front Left Log |

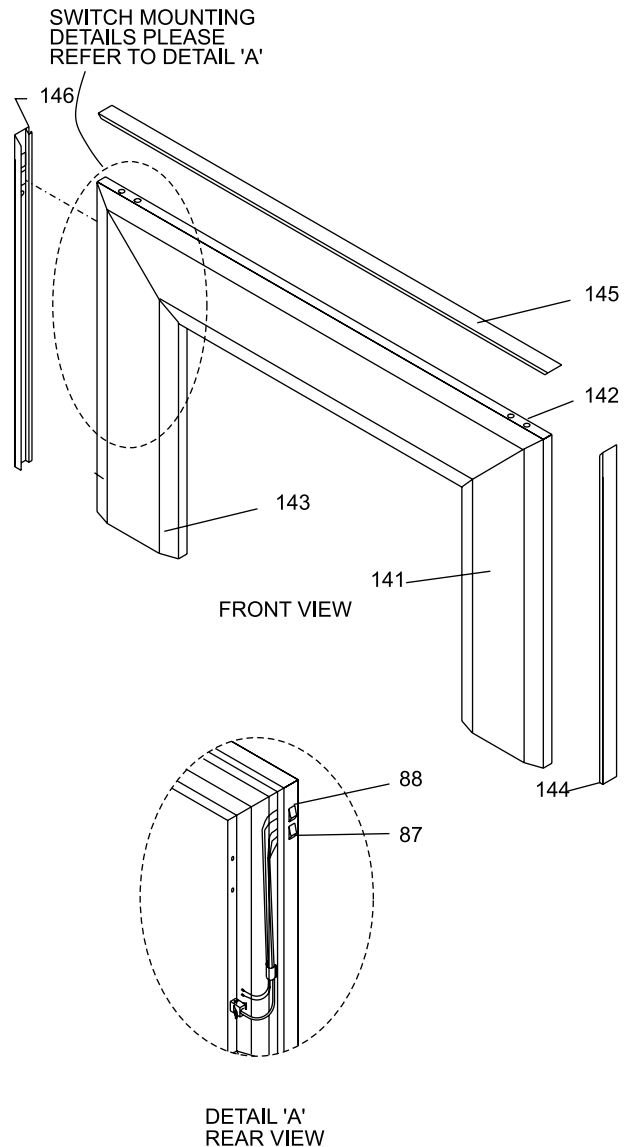
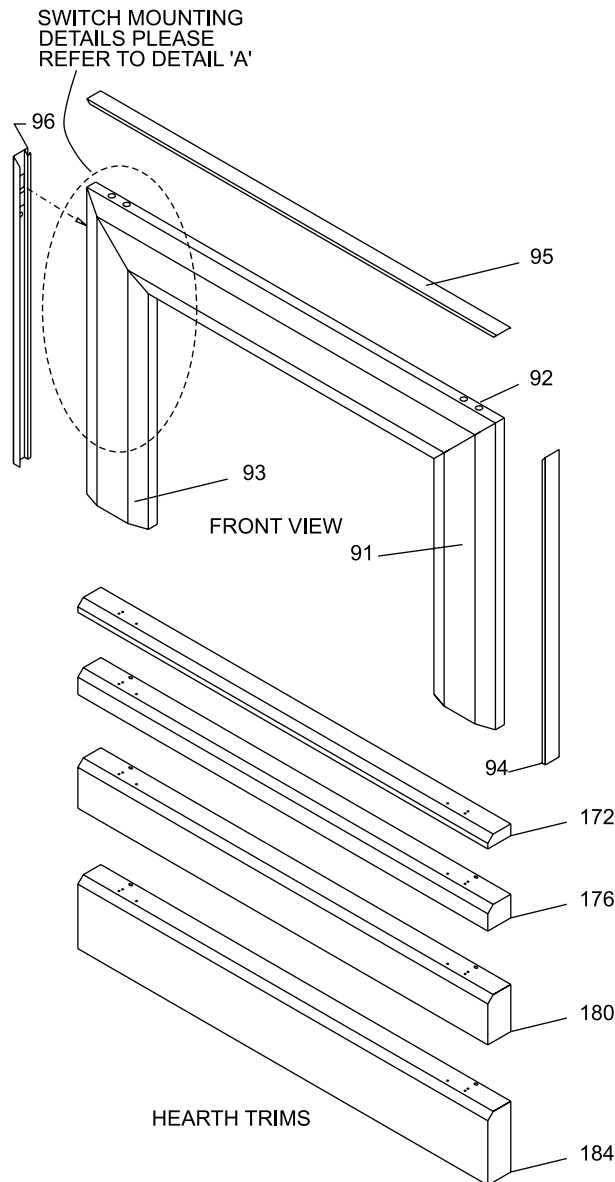
*Not available as a replacement part.



FACEPLATE ASSEMBLY

| Part # | Description | Part # | Description |
|--------|----------------------------------------------|---------|---------------------------------------|
| 87) | 910-140 Fan HI/OFF/LOW Switch | 144) | * Faceplate Trim Right - Oversize |
| 88) | 910-246 Burner ON/OFF Switch | 145) | * Faceplate Trim Top - Oversize |
| | 403-912 Faceplate & Trim Complete - Regular | 146) | * Faceplate Trim Left Assy - Oversize |
| 91) | * Faceplate Side Right - Regular | 172) | 400-950 Hearth Trim 1" - Regular |
| 92) | * Faceplate Top - Regular | 320-940 | Hearth Trim 1" - Oversize |
| 93) | * Faceplate Side Left - Regular | 176) | 400-926 Hearth Trim 2" - Regular |
| | 401-522 Trims Packaged - Regular | 320-942 | Hearth Trim 2" - Oversize |
| 94) | * Faceplate Trim Right - Regular | 180) | 400-928 Hearth Trim 4" - Regular |
| 95) | * Faceplate Trim Top - Regular | 320-944 | Hearth Trim 4" - Oversize |
| 96) | * Faceplate Trim Left Assy - Regular | 184) | 400-959 Hearth Trim 6" - Regular |
| | 403-913 Faceplate & Trim Complete - Oversize | 320-946 | Hearth Trim 6" - Oversize |
| 141) | * Faceplate Side Right - Oversize | | |
| 142) | * Faceplate Top - Oversize | | |
| 143) | * Faceplate Side Left - Oversize | | |
| | 401-524 Trims Packaged - Oversize | | |

*Not available as a replacement part.

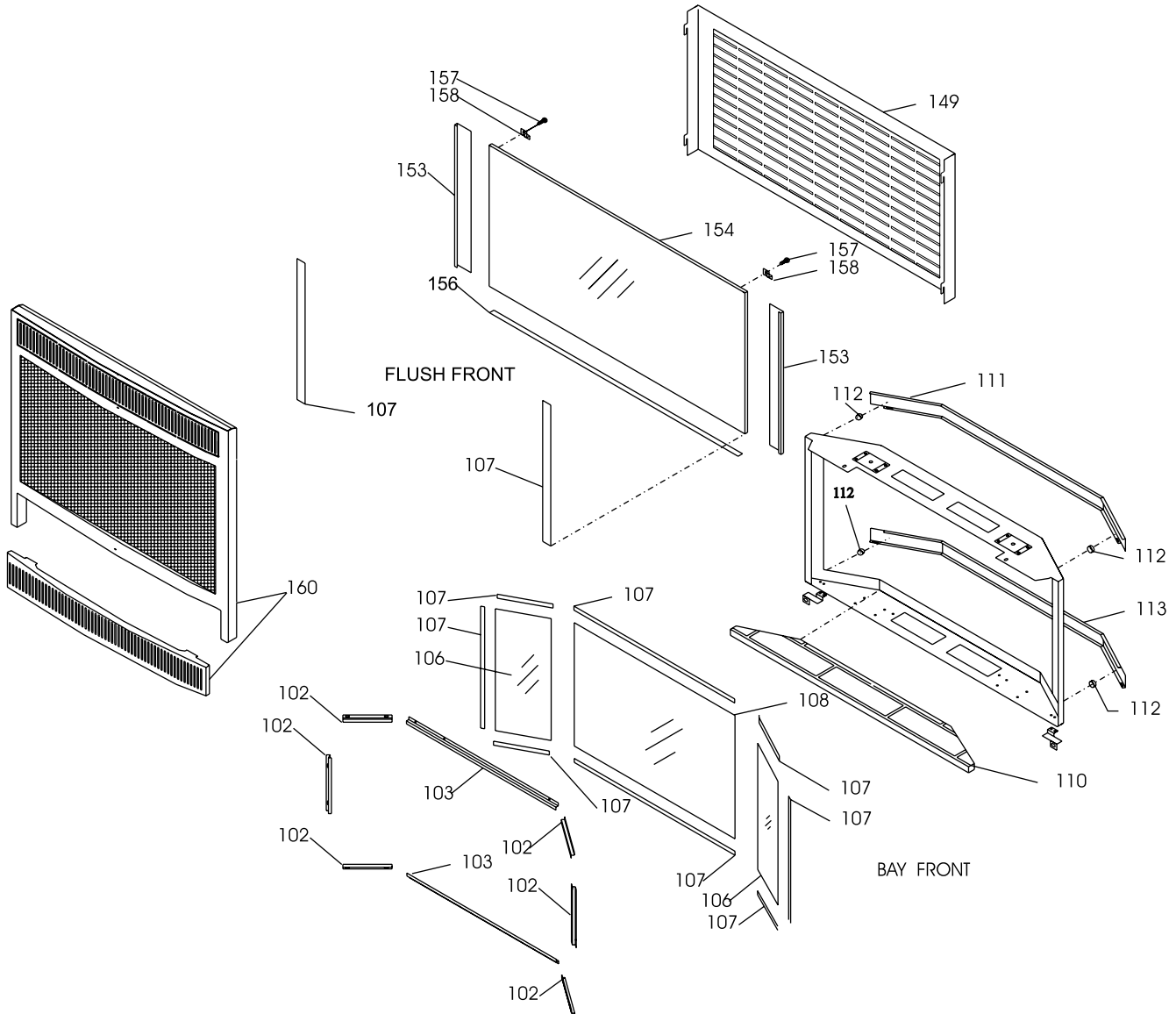


PARTS LIST

BAY & FLUSH FRONT ASSEMBLY

| Part # | Description | Part # | Description |
|-----------------|-----------------------------------|-------------------|--------------------------------------|
| Bay Door | | Flush Door | |
| 400-988 | Complete Bay Front c/w Black Trim | 149) 400-531/P | Flush Screen - Packaged (Aust. Only) |
| 102) * | Glass Retainer Side (Top & Btm) | 402-515/P | Complete Flush Front Assembly |
| 103) * | Glass Retainer Front (Top & Btm) | 107) 936-243 | Gasket |
| 106) 940-315/P | Side Glass | 153) * | Glass Side Trim |
| 107) 936-243 | Gasket | 154) * | Flush Glass |
| 108) 940-314/P | Center Glass | 156) 936-238 | Flush Glass Gasket |
| 110) 902-183 | Bay Brick Panel | 157) * | Screw #10-24 x 1/2" Truss Hd Machine |
| 400-935 | Bay Door Trim Set - Gold | 158) * | Flush Glass Bracket |
| 400-989 | Bay Door Trim Set - Steel | 160) 403-927 | Barossa Curved Front |
| 111) * | Bay Door Trim Top | | |
| 112) 904-196 | 1" Round Ceramic Magnet | | |
| 113) * | Bay Door Trim Bottom | | |

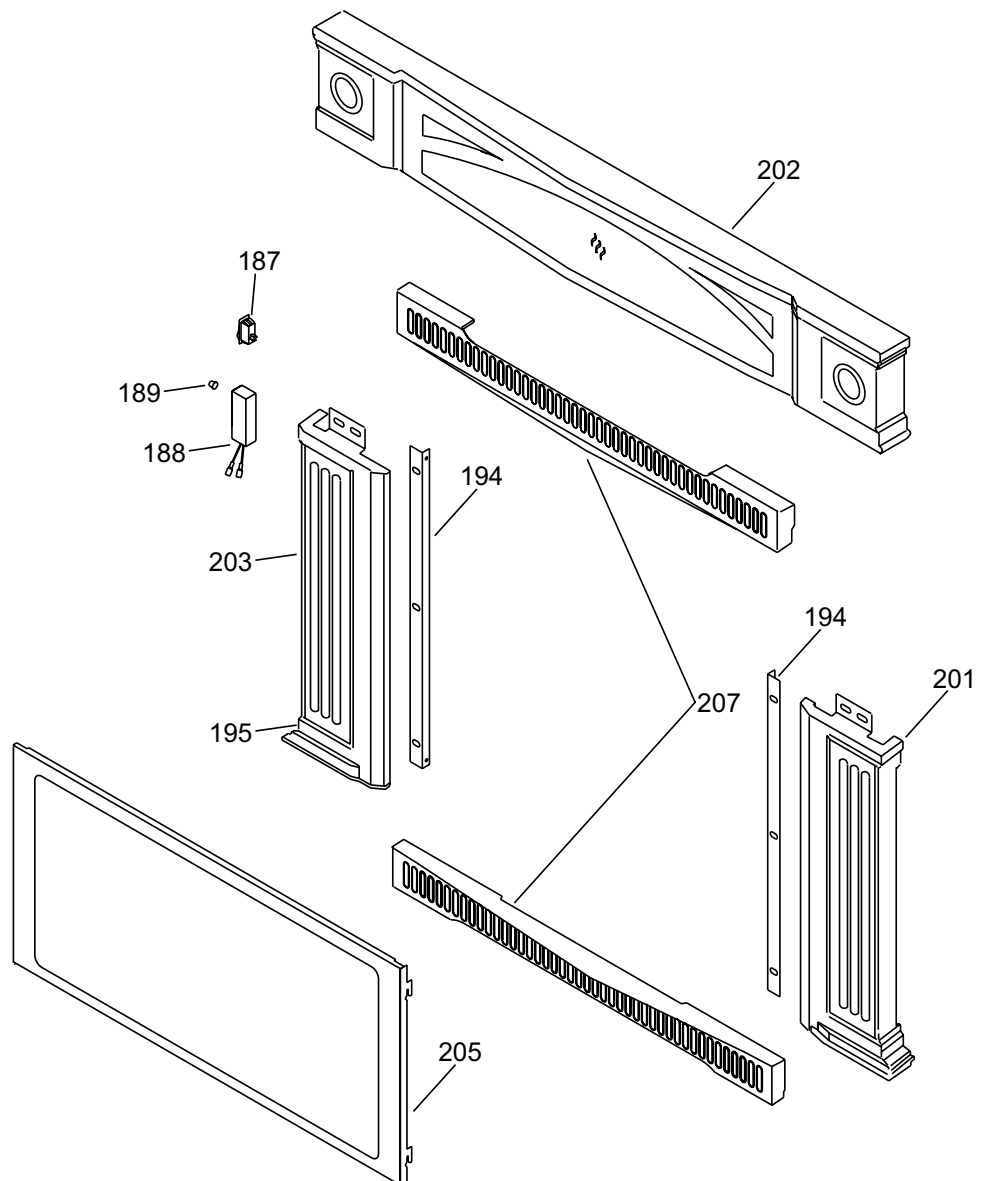
*Not available as a replacement part.



HAMPTON CAST FACEPLATE ASSEMBLY

| Part # | Description |
|--------------|--------------------------------------------------|
| 403-911 | Cast Faceplates (Set) - Black Metallic |
| 403-916 | Cast Faceplates (Set) - Black Enamel |
| 187)* | Burner On/Off Switch |
| 188)* | Fan Speed Control |
| 189)* | Knob - Black Cast Surround |
| 201)* | Cast Faceplate - Right |
| 202)* | Cast Faceplate - Top |
| 203)* | Cast Faceplate - Left |
| 205)* | Flush Glass Frame |
| 194)* | Mounting Flange |
| 207) 402-981 | Cast Grill (Set) - Top & Bottom - Black Metallic |
| 402-986 | Cast Grill (Set) - Top & Bottom - Black Enamel |

*Not available as a replacement part.



WARRANTY

Limited Lifetime Warranty

FPI Fireplace Products International Ltd. (“the manufacturer”) through its wholly owned subsidiary, Fireplace Products Australia Pty Ltd (for Australia and New Zealand customers) and sold under the Regency® brand of fireplace products (collectively referred to herein as “FPI”), extends this Limited Lifetime Warranty to the original purchaser of this appliance provided the product remains in the original place of installation. The items covered by this limited warranty and the period of such coverage is set forth in the table below.

Some conditions apply (see below).

The policy is not transferable, amendable or negotiable under any circumstances.

| Indoor Gas Products Warranty Coverage Parts and Labor | Part | | | | Supplier Warranty | Labor Coverage (Years) |
|--------------------------------------------------------------------------------------------------------------------------------------------------|----------|---------|---------|--------|----------------------|------------------------------|
| | Lifetime | 5 years | 2 years | 1 year | | |
| Firebox and Heat Exchanger | ✓ | | | | | 3 |
| Steel Burner Tube | ✓ | | | | | 3 |
| Glass Thermal breakage only | ✓ | | | | | 3 |
| All Surrounds/Inlays Finishes | | ✓ | | | | 3 |
| Brick Panels/Log sets/Ceramic Burners | | ✓ | | | | 3 |
| All Castings | | ✓ | | | | 3 |
| Valve assembly and all gas control components (Pilot assembly, flame sensors, Spark Electrode, Pilot Tubing, Orifices, Thermocouple, Thermopile) | | | ✓ | | | 2 |
| All Other Electrical components (Ignition Control Boards, Wiring, Switches, Fans, Fan Control Module, Battery Pack, Remote Control Systems) | | | ✓ | | | 1 |
| Enamel Panels | | | ✓ | | | 1 |
| Venting/Venting Components | | | ✓ | | | 1 |
| All Stainless steel surrounds | | | | ✓ | | 1 |
| All Firebox Media (Crystals, Fire beads, Volcanic, Ceramic & Spa Stones) | | | | ✓ | | 1 |
| All hardware | | | | ✓ | | 1 |
| Mesh/Glass Safety Barriers | | | | ✓ | | 1 |
| Accent Light Bulbs | | | | ✓ | | 1 |
| Glass (Crazing) | | | | ✓ | | 1 |

After the original warranty coverage for any of the parts above have expired, any repair and/or replacement parts purchased by the consumer from FPI or through an accredited distributor or dealer will carry a ninety (90) day warranty (valid only with an original copy of the tax invoice). No labor coverage is included with any repair and/or replacement part.

Replacement parts are limited to one per warranty term.

Conditions:

Warranty protects against defect in manufacture or FPI factory assembled components only, unless herein specified otherwise. This warranty will only apply to those products which are acquired at the time of this warranty being effective. FPI will not be liable for any damage or loss that falls outside the scope of the warranty.

Any part(s) found to be defective during the warranty period as outlined above will be repaired or replaced at FPI's option through an accredited distributor, dealer or pre-approved and assigned agent provided that the defective

part is returned to the distributor, dealer or agent for inspection if requested by FPI. Alternatively, FPI may at its own discretion fully discharge all of its obligations under the warranty by refunding the verified purchase price of the product to the original purchaser. The purchase price must be confirmed by an original copy of the tax invoice.

The authorised selling dealer, or an alternative authorised FPI dealer if pre-approved by FPI, is responsible for all in-field diagnosis and service work related to all warranty claims. This warranty does not cover dealer travel costs for diagnostic or service work. Dealers may charge homeowner for travel and additional time. Check with your selling dealer in advance for any costs to you when arranging a warranty call. FPI is not responsible for results or costs of workmanship of unauthorised FPI dealers or agents in the negligence of their service work. Additional service fees may apply if you are seeking warranty service from a dealer other than the dealer from whom you originally purchased the product.

At all times FPI reserves the right to inspect reported complaints on location in the field claimed to be defective and determine whether the warranty will apply prior to processing or authorising of any claim. Failure to allow this upon request will void the warranty.

All warranty claims must be submitted by the dealer servicing the claim, including an original copy of the tax invoice (proof of purchase by you). All claims must be complete and provide full details as requested by FPI to receive consideration for evaluation, including proof of maintenance records. Incomplete claims may be rejected. FPI has absolute discretion to assess and determine any warranty claim and may accept or reject a claim as it considers appropriate. Any part or parts of the unit found to be defective will be repaired or replaced at FPI's option, through an accredited distributor or service agent provided that the defective part be returned to the distributor or agent, **Transportation Prepaid**, if requested. **It is the general practice of FPI to charge for larger, higher priced replacement parts and issue credit once the replaced component has been returned to FPI and evaluated for manufacturer defect.**

If a consumer has a unit installed outside an accredited distributor, dealer or pre-approved service agent's service area, or the closest approved service agent is situated more than thirty (30) kilometres from the installation, FPI is not obliged to arrange warranty repairs or shipping/transportation costs. In these cases, the consumer must arrange warranty service with its selling dealer, and shipping, travel and/or additional labor charges will apply.

Unit must be installed according to all manufacturers' instructions as per the manual.

All Local and National required codes must be met.

The installer is responsible to ensure the unit is operating as designed at the time of installation.

The original purchaser is responsible for annual maintenance of the unit, as outlined in the owner's manual. As outlined below, the warranty may be voided due to problems caused by lack of maintenance. Annual maintenance records should be retained.

Repair/replacement parts purchased by the consumer from FPI after the original coverage has expired on the unit will carry a 90 day warranty, valid with a receipt only. Any item shown to be defective will be repaired or replaced at our discretion. No labor coverage is included with these parts.

Exclusions:

This Limited Lifetime Warranty does not extend to paint, rust or corrosion of any kind due to a lack of maintenance or improper venting, combustion air provision, corrosive chemicals (i.e. chlorine, salt, air, etc.), door or glass gasket.

Malfunction, damage or performance based issues as a result of environmental conditions, location, chemical damages, downdrafts, installation error, installation by an unqualified installer, incorrect chimney components (including but not limited to cap size or type), operator error, abuse, misuse, use of improper fuels, accidents, lack of regular maintenance and upkeep, acts of God, weather related problems from hurricanes, tornados, earthquakes, floods, lightning strikes/bolts or acts of terrorism or war, which result in malfunction of the appliance are not covered under the terms of this Limited Lifetime Warranty.

WARRANTY

FPI has no obligation to enhance or modify any unit once manufactured (i.e. as products evolve, field modifications or upgrades will not be performed on existing appliances).

Any unit showing signs of neglect or misuse will not be covered under the terms of this warranty policy and may void this warranty. This includes units with rusted or corroded fireboxes which have not been reported as rusted or corroded within three (3) months of installation/purchase. Any alteration to the unit which causes sooting or carboning that results in damage to the exterior fascia or over firing that can cause component or firebox/heat exchanger failure will not be covered by this warranty.

Units which show evidence of being operated while damaged, or with problems known to the purchaser and causing further damages will void this warranty.

Units where the serial no. has been altered, deleted, removed or made illegible will void this warranty.

Minor movement, expansion and contraction of the steel is normal and is not covered under the terms of this warranty.

Freight damages for products or parts are not covered under the terms of the warranty.

Porcelain/Enamel: Absolute perfection is neither guaranteed nor commercially possible. Any chips must be reported and inspected by the authorised selling dealer within three (3) days of installation. Any damage of this type not reported after this time period will be subject to rejection and any related warranty will not apply.

Special Finishes: Expect some changes in color as the product "ages" with constant heating and cooling. The manufacturer warranty does not cover tarnishing, changing colors and/or marks (i.e. finger prints, etc.) after the purchase of the product. Damage from the use of abrasive cleaners is not covered by warranty.

Products made or provided by other manufacturers and used in conjunction with the FPI appliance without prior authorisation from FPI may void this warranty.

INCORRECT INSTALLATION OR GAS PRESSURE SETTINGS ARE NOT COVERED BY WARRANTY. A SERVICE OR CALLOUT FEE WILL BE CHARGED IN THESE CIRCUMSTANCES.

Limitations of Liability:

1. Exclusion of implied terms

The customer may have the benefit of consumer guarantees under the Australian Consumer Law. To the maximum extent permitted by law, all terms, conditions or warranties that would be implied into this Warranty or in connection with the supply of any goods or services by the supplier under law or statute or custom or international conventions are excluded.

2. Limitation of liability

(a) To the maximum extent permitted by law and subject to clauses 1 and 3, the supplier's total liability arising out of or in connection with its performance or its obligations pursuant to this Warranty, or arising out of or in connection with the supply of specific goods or services (including pursuant to or for breach of this Warranty, under statute, in equity or for tort, including negligent acts or omissions) is limited as follows: (i) the supplier shall have no liability to the customer for any Consequential Loss; (ii) without limiting the effect of clause 2(a)(i), the supplier's total aggregate liability for Loss, however arising, shall not exceed the GST exclusive aggregate price paid by the customer to the supplier for the specific goods or services that gave rise to the Loss in question.

(b) The limitations and exclusions in this sub-clause do not apply to the extent that any Loss is directly attributable to: (i) the personal injury or death caused by the supplier's default, breach of this Warranty or negligence; or (ii) fraud by the supplier.

(c) Each party must take reasonable steps to mitigate any Loss it suffers or incurs.

3. Limitation of liability under Australian Consumer Law Guarantees

(a) To the extent that goods supplied by the supplier are not goods of a kind ordinarily acquired for personal, domestic or household use and the customer is deemed to be a consumer for the purposes of section 64A of the Australian Consumer Law, the customer agrees that the supplier's liability for a failure to comply with a consumer guarantee that the customer may have a benefit under the Australian Consumer Law (other than a guarantee under sections 51 (title), 52 (undisturbed possession) and 53 (undisclosed securities)), is limited to, at the option of the supplier, one or more of the following: (i) replacement of the goods or the supply of equivalent goods; (ii) the repair of the goods; (iii) the payment of the cost of replacing the goods or of acquiring equivalent goods; or (iv) equivalent goods; or (v) the payment of the cost of having the goods repaired.

(b) To the extent that services supplied by the supplier are services other than services of a kind ordinarily acquired for personal, domestic or household use or consumption, the supplier's liability for failure to comply with a consumer guarantee that the customer may have the benefit of is limited to, at the option of the supplier: (i) the supply of the services again; or (ii) the payment of the cost of having the services supplied again.

4. Subject to Change

This Limited Warranty is given at the time of sale and purchase of the relevant fireplace product. The terms of this Limited Warranty may be amended from time to time by FPI in accordance with changes to business practices, consumer laws or other legal requirements. The rights and protections granted under the Limited Warranty are those in force in relation to a fireplace product at the time and in the place of sale of that product, and only those terms will be applicable in respect of that product.

5. Severability

Any term of this Limited Warranty that is invalid or unenforceable in any jurisdiction is to be read down for the purposes of that jurisdiction, if possible, so as to be valid and enforceable, and is otherwise capable of being severed to the extent of the invalidity or unenforceability, without affecting the remaining provisions of this Limited Warranty or affecting the validity or enforceability of that provision in any other jurisdiction.

6. Definitions

For purposes of clauses 1, 2 and 3:

(a) Consequential Loss means loss of expected savings, loss of use, loss of opportunity, loss of profit, loss of revenue, increased financing costs, loss arising from delay, or any consequential, special or indirect loss or damage, whether or not the possibility or potential extent of the loss or damage was known or foreseeable, and whether arising from a claim under indemnity, contract, tort (including negligence), statute or otherwise.

(b) Loss means any expense, cost or damage of any kind and includes Consequential Loss and a fine or penalty imposed by a statutory or other authority.

WARRANTY

How to Obtain Warranty Service:

Customers should contact the authorised selling dealer to obtain warranty service. In the event the authorised selling dealer is unable to provide warranty service, please contact FPI by mail at the address listed below. Please include your name, address, purchase date, selling dealer, serial #, type of unit, a brief description of the problem, email and telephone contact information, and a copy of your original tax invoice. A representative will contact you to make arrangements for an inspection and/or warranty service. (See below for Western Australia and/or New Zealand)

Please note Fireplace Products Australia Pty Ltd does not provide installation services.

Fireplace Products Australia Pty Ltd

1 – 3 Conquest Way
Hallam, VIC
Australia, 3803
Phone: +61 3 9799 7277
Fax: +61 3 9799 7822

To obtain warranty service in Western Australia and/or New Zealand, please contact one of our authorised distributors in those areas:

Western Australia:

Air Group Australia
28-30 Division St.
Welshpool, WA
Australia, 6106
Phone: (08) 9350 2200
Fax: (08) 9353 4225

New Zealand:

Aber Holdings Ltd
PO Box 10095
Te Rapa, Hamilton
New Zealand, 3241
Freephone: 0800 161 161

Product Registration and Customer Support:

Thank you for choosing a Regency Fireplace. Regency strives to be a world leader in the design, manufacture, and marketing of hearth products. To provide the best support for your product, we request that you complete a product registration form at <http://www.regency-fire.com.au/Customer-Care/Warranty-Registration.aspx> within ninety (90) days of purchase.



Product Registration and Customer Support:

Thank you for choosing a Regency Fireplace. Regency strives to be a world leader in the design, manufacture, and marketing of hearth products. To provide the best support for your product, we request that you complete a product registration form found on our Web Site under Customer Care within ninety (90) days of purchase.

For purchases made in **CANADA or the UNITED STATES:**

<http://www.regency-fire.com/Customer-Care/Warranty-Registration.aspx>

For purchases made in AUSTRALIA:

<http://www.regency-fire.com.au/Customer-Care/Warranty-Registration.aspx>

You may also complete the warranty registration form below to register your Regency Fireplace Product and mail and/or fax it back to us, and we will register the warranty for you. It is important you provide us with all the information below in order for us to serve you better.

Warranty Registration Form (or Register online immediately at the above Web Site):

| | |
|----------------------------------------|--|
| Warranty Details | |
| Serial Number (required): | |
| Purchase Date (required) (mm/dd/yyyy): | |
| Product Details | |
| Product Model (required): | |
| Dealer Details | |
| Dealer Name (required): | |
| Dealer Address: | |
| Dealer Phone #: | |
| Installer: | |
| Date Installed (mm/dd/yyyy): | |
| Your Contact Details (required) | |
| Name: | |
| Address: | |
| Phone: | |
| Email: | |

For purchases made in CANADA:

FPI Fireplace Products International Ltd.
6988 Venture St.
Delta, British Columbia
Canada, V4G 1H4

Phone: 604-946-5155
Fax: 604-946-4349

For purchases made in the UNITED STATES:

Fireplace Products U.S., Inc.
PO Box 2189 PMB 125
Blaine, WA
United States, 98231

Phone: 604-946-5155
Fax: 604-946-4349

For purchases made in AUSTRALIA:

Fireplace Products Australia Pty Ltd
1- 3 Conquest Way
Hallam, VIC
Australia, 3803

Phone: +61 3 9799 7277
Fax: +61 3 9799 7822

For fireplace care and tips and answers to most common questions please visit our Customer Care section on our Web Site. Please feel free to contact your selling dealer if you have any questions about your Regency product.





Installer: Please complete the following information

Dealer Name & Address: _____

Installer: _____

Phone #: _____

Date Installed: _____

Serial No. : _____