

H35 Direct Vent Gas Fireplace

Owners &
Installation Manual



MODELS: H35U-NG & H35U-LP

⚠ WARNING
FIRE OR EXPLOSION HAZARD
Failure to follow safety warnings exactly could result in serious injury, death, or property damage.

- Do not store or use gasoline or other flammable vapors and liquids in the vicinity of this or any other appliance.
- **WHAT TO DO IF YOU SMELL GAS**
 - Do not try to light any appliance.
 - Do not touch any electrical switch: do not use any phone in your building. Leave the building immediately.
 - Immediately call your gas supplier from a neighbour's phone. Follow the gas supplier's instructions.
 - If you cannot reach your gas supplier, call the fire department.
- Installation and service must be performed by a qualified installer, service agency or the gas supplier.



Certified to/Certifié pour: ANSI Z2.88-2019

Installer: Please complete the details on the back cover and leave this manual with the homeowner.
Homeowner: Please keep these instructions for future reference.

HAMPTON®


Direct Vent Freestanding Gas Stove

To the New Owner:

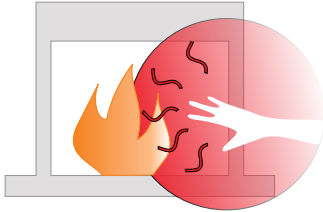
Congratulations!

You are the owner of a state-of-the-art Hampton® Gas Stove by REGENCY FIREPLACE PRODUCTS.

The H35U model is hand-crafted appliance designed to provide you with all the warmth and charm of a wood fireplace at the flick of a switch. The H35U-NG/LP model were approved by Warnock Hersey for both safety and efficiency. As they also bear the Regency mark, they provide economy, comfort, and security for many trouble-free years to come. Please take a moment to acquaint yourself with this manual and the many features of your Hampton® stove.



DANGER



**HOT GLASS WILL
CAUSE BURNS**

**DO NOT TOUCH GLASS
UNTIL COOLED**


**NEVER ALLOW CHILDREN
TO TOUCH GLASS**

A barrier designed to reduce the risk of burns from the hot viewing glass is provided with this appliance and must be installed for the protection of children and other at risk individuals.

CAUTION:
HOT WHILE IN OPERATION. DO NOT TOUCH.
SEVERE BURNS MAY RESULT. KEEP CHILDREN, CLOTHING, FURNITURE,
GASOLINE, AND ANY OTHER LIQUIDS WITH FLAMMABLE VAPOURS AWAY.


KEEP BURNER AND CONTROL COMPARTMENT CLEAN.
SEE INSTALLATION AND OPERATING INSTRUCTIONS ACCOMPANYING
APPLIANCE.

920-408



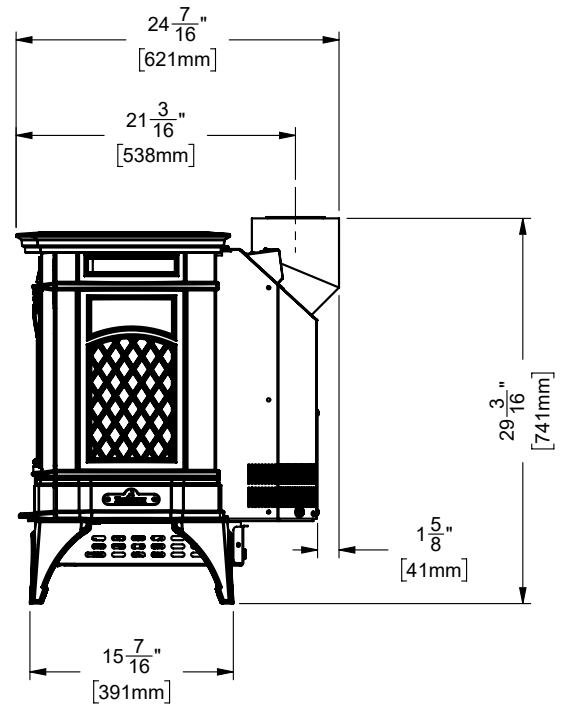
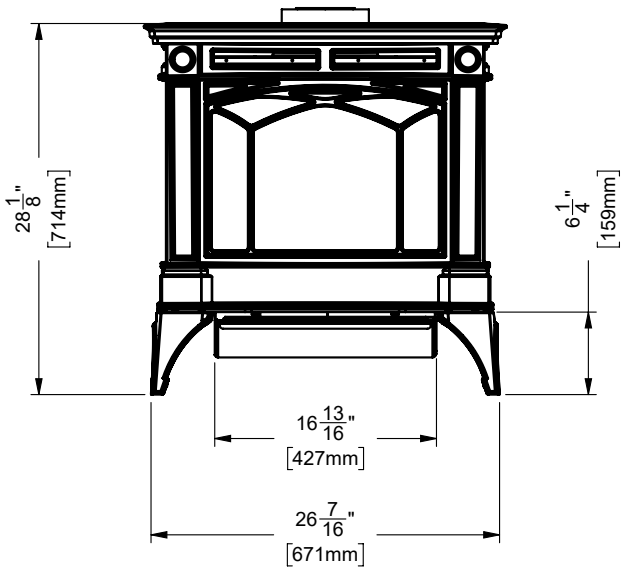
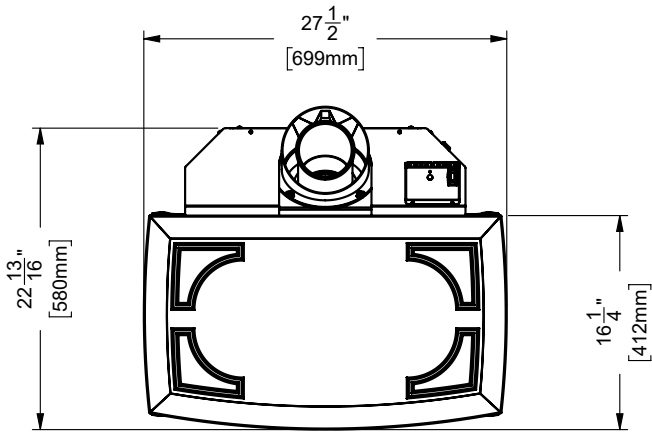
**NATIONAL
FIREPLACE
INSTITUTE**
CERTIFIED
www.nficertified.org

We recommend that our products be installed and serviced by professionals who are certified in the U.S. by the National Fireplace Institute® (NFI) or in Canada by Wood Energy Technical Training (WETT).



**Wood Energy
Technical Training**
www.wettline.ca

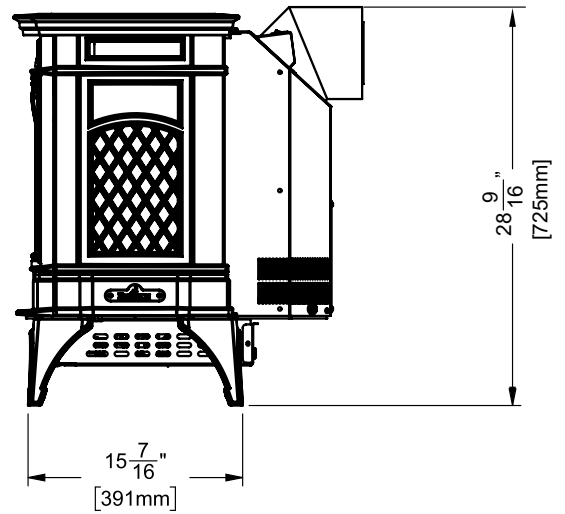
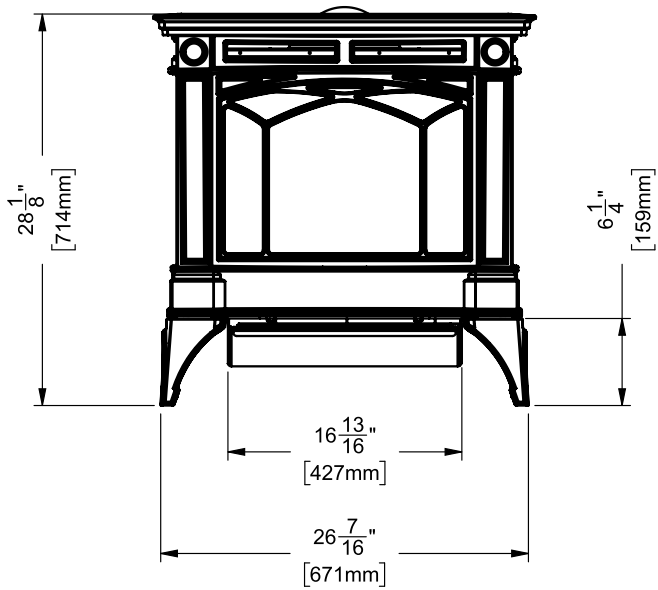
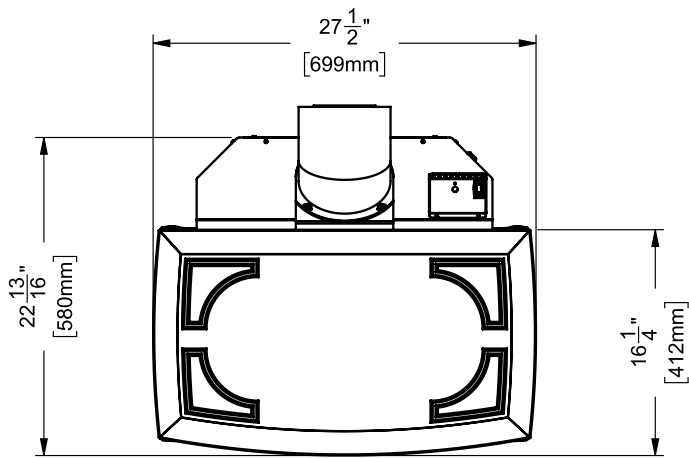
Unit Dimensions (Top Vent)



ALL PICTURES / DIAGRAMS SHOWN THROUGHOUT THIS MANUAL ARE FOR ILLUSTRATION PURPOSES ONLY. ACTUAL PRODUCT MAY VARY DUE TO PRODUCT ENHANCEMENTS.

dimensions

Unit Dimensions (Rear Vent)



Unit Dimensions (Top Vent)..... 3
 Unit Dimensions (Rear Vent) 4
 Copy of Safety Label..... 6

Owner's Information

Gas Installation Checklist 7
 Copy of the Lighting Plate Instructions..... 9
 Adjusting Flame Height..... 9
 Automatic Convection Fan Operation 9

Installation

Important Message 11
 Specifications..... 11
 Information for Mobile / Manufactured Homes After First Sale 11
 Before You Start..... 12
 Important Information on the H35U 12
 General Safety Information 13
 Installation Checklist..... 13
 Clearances to Combustibles..... 13
 Locating Your Gas Stove 14
 Manufactured Mobile Home Additional Requirements 14
 Combustion and Ventilation Air 14
 Venting Introduction..... 14
 Installation Precautions..... 14
 Safety Precautions for the Installer 14
 Vent Restrictor Position 14
 Fan Installation 15
 Exterior Vent Terminal Locations..... 16
 4" x 6-5/8" Rigid Pipe - Cross Reference Chart only 17
 Rigid Pipe Venting Systems 19
 Rotating 45° Elbow for Straight Horizontal Terminations 20
 Venting Arrangements 20
 Venting Arrangements - Horizontal Terminations Using Rigid Pipe ... 21
 Venting Arrangements - Straight Horizontal Termination..... 21
 Horizontal Venting with Two 90° Elbows 22
 Horizontal Venting with Two 90° Elbows 22
 Vertical Venting with Two 90° Elbows 23
 Vertical Venting with Two 90° Elbows 23
 Vertical Termination With Co-linear Flex System..... 24
 DV Stove Horizontal Termination Vent Kit 25
 DV Stove Horizontal Vent Kit (#946-116 & #946-216) Installation .. 25
 Dura-Vent Termination Kit 27
 Horizontal Installations - Rigid Vent System..... 28
 Vertical Termination - Rigid Vent System 29
 Cathedral Ceilings..... 30
 Offset Chart 30
 Converting Class-A Metal Chimney to Direct Vent System 31
 Round Support (RDS) & Square Support (SQS)..... 32
 Support Extensions - Round (RDSE) or Square (SQSE)..... 32
 Gas Connection..... 32
 System Data 32
 Gas Pipe Pressure Testing 33
 SIT Valve Description..... 33
 Aeration Adjustment 34
 Conversion Kit #744-969 from NG to LP..... 35
 Optional Brick Panel 37
 Log Set Installation 37
 Double Door Removal..... 38
 Wiring Diagrams 39
 Optional Wall Thermostat/Remote Control 40

Operating Instructions

Final Check 41
 Operating Instructions 41
 Lighting Procedure 41
 Shutdown Procedure 41
 First Fire..... 41
 Copy of the Lighting Plate Instructions 42
 Adjusting Flame Height..... 42
 Automatic Convection Fan Operation 42
 Normal Operating Sounds of Gas Appliances 43

Maintenance

Maintenance Instructions 43
 General Vent Maintenance 44
 Log Replacement 44
 Glass Replacement 44
 Removing Valve 44
 Installing Valve Assembly..... 45
 Fan Maintenance 46
 Gas Maintenance - Recommended Annual Routine..... 47

Parts

Main Assembly..... 48
 Burner & Log Assembly..... 49
 Optional Accessories..... 50

Warranty52




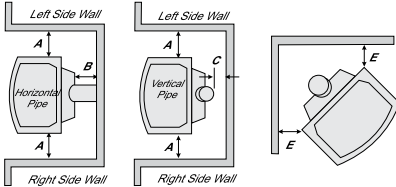
Recycling58

safety label

This is a copy of the label that accompanies each Direct Vent Freestanding Gas Stove. We have printed a copy of the contents here for your review.

NOTE: Hampton® units are constantly being improved. Check the label on the unit and if there is a difference, the label on the unit is the correct one.

Copy of Safety Label

DUPLICATE SERIAL NO.		560																					
	<p>Listed: VENTED GAS FIREPLACE HEATER / FOYER AU GAZ À ÉVACUATION Certified to /Certifié : ANSI Z21.88-2019 MAY BE INSTALLED IN MANUFACTURED (MOBILE) HOMES AFTER FIRST SALE Refer to Intertek's Directory of Building Products for detailed information. Pour plus de détails, se reporter au Répertoire des produits de construction de Intertek.</p>	<p>DO NOT REMOVE THIS LABEL / NE PAS ENLEVER CETTE ÉTIQUETTE</p> <p style="font-size: 2em; font-weight: bold;">HAMPTON®</p> <p style="font-weight: bold;">560</p> <p>Serial No./ No de serie</p>																					
	<p>FACTORY EQUIPPED FOR NATURAL GAS Model: H35U-NG</p> <table border="0" style="width: 100%;"> <tr> <td style="width: 30%;">Minimum supply pressure</td> <td style="width: 30%;">5" WC/C.E. (1.25 kPa)</td> <td style="width: 40%;">Pression d'alimentation minimale</td> </tr> <tr> <td>Manifold pressure High</td> <td>3.5" WC/C.E. (0.87 kPa)</td> <td>Pression manifold élevée</td> </tr> <tr> <td>Manifold pressure Low</td> <td>1.6" WC/C.E. (0.40 kPa)</td> <td>Pression manifold basse</td> </tr> <tr> <td>Maximum Input</td> <td>30,000 Btu/h (8.78 Kw/h)</td> <td>Débit calorifique maximal</td> </tr> <tr> <td>Minimum Input</td> <td>21,500 Btu/h (6.30 Kw/h)</td> <td>Débit calorifique minimal</td> </tr> <tr> <td>Orifice size</td> <td>#37 DMS</td> <td>Taille de l'orifice</td> </tr> <tr> <td>Altitude</td> <td>0-4500 ft/pi (0-1372m)</td> <td>Altitude</td> </tr> </table>	Minimum supply pressure	5" WC/C.E. (1.25 kPa)	Pression d'alimentation minimale	Manifold pressure High	3.5" WC/C.E. (0.87 kPa)	Pression manifold élevée	Manifold pressure Low	1.6" WC/C.E. (0.40 kPa)	Pression manifold basse	Maximum Input	30,000 Btu/h (8.78 Kw/h)	Débit calorifique maximal	Minimum Input	21,500 Btu/h (6.30 Kw/h)	Débit calorifique minimal	Orifice size	#37 DMS	Taille de l'orifice	Altitude	0-4500 ft/pi (0-1372m)	Altitude	<p>APPAREIL FONCTIONNANT AU GAZ NATUREL</p>
Minimum supply pressure	5" WC/C.E. (1.25 kPa)	Pression d'alimentation minimale																					
Manifold pressure High	3.5" WC/C.E. (0.87 kPa)	Pression manifold élevée																					
Manifold pressure Low	1.6" WC/C.E. (0.40 kPa)	Pression manifold basse																					
Maximum Input	30,000 Btu/h (8.78 Kw/h)	Débit calorifique maximal																					
Minimum Input	21,500 Btu/h (6.30 Kw/h)	Débit calorifique minimal																					
Orifice size	#37 DMS	Taille de l'orifice																					
Altitude	0-4500 ft/pi (0-1372m)	Altitude																					
	<p>FACTORY EQUIPPED FOR PROPANE GAS Model: H35U-LP</p> <table border="0" style="width: 100%;"> <tr> <td style="width: 30%;">Minimum supply pressure</td> <td style="width: 30%;">11" WC/C.E. (2.74 kPa)</td> <td style="width: 40%;">Pression d'alimentation minimale</td> </tr> <tr> <td>Manifold pressure High</td> <td>10" WC/C.E. (2.49 kPa)</td> <td>Pression manifold élevée</td> </tr> <tr> <td>Manifold pressure Low</td> <td>6.4" WC/C.E. (1.59 kPa)</td> <td>Pression manifold basse</td> </tr> <tr> <td>Maximum Input</td> <td>29,500 Btu/h (8.64 Kw/h)</td> <td>Débit calorifique maximal</td> </tr> <tr> <td>Minimum Input</td> <td>24,000 Btu/h (7.03 Kw/h)</td> <td>Débit calorifique minimal</td> </tr> <tr> <td>Orifice size</td> <td>#52 DMS</td> <td>Taille de l'orifice</td> </tr> <tr> <td>Altitude</td> <td>0-4500 ft/pi (0-1372m)</td> <td>Altitude</td> </tr> </table>	Minimum supply pressure	11" WC/C.E. (2.74 kPa)	Pression d'alimentation minimale	Manifold pressure High	10" WC/C.E. (2.49 kPa)	Pression manifold élevée	Manifold pressure Low	6.4" WC/C.E. (1.59 kPa)	Pression manifold basse	Maximum Input	29,500 Btu/h (8.64 Kw/h)	Débit calorifique maximal	Minimum Input	24,000 Btu/h (7.03 Kw/h)	Débit calorifique minimal	Orifice size	#52 DMS	Taille de l'orifice	Altitude	0-4500 ft/pi (0-1372m)	Altitude	<p>APPAREIL FONCTIONNANT AU GAZ PROPANE</p>
Minimum supply pressure	11" WC/C.E. (2.74 kPa)	Pression d'alimentation minimale																					
Manifold pressure High	10" WC/C.E. (2.49 kPa)	Pression manifold élevée																					
Manifold pressure Low	6.4" WC/C.E. (1.59 kPa)	Pression manifold basse																					
Maximum Input	29,500 Btu/h (8.64 Kw/h)	Débit calorifique maximal																					
Minimum Input	24,000 Btu/h (7.03 Kw/h)	Débit calorifique minimal																					
Orifice size	#52 DMS	Taille de l'orifice																					
Altitude	0-4500 ft/pi (0-1372m)	Altitude																					
<p>Minimum Clearances to Combustibles/Dégagement Minimum De Matériaux Combustibles Minimum ceiling height from top of unit: 36"/914mm Minimum plafond hauteur en haut de l'appareil:</p> <table border="0" style="width: 100%;"> <tr> <td style="width: 30%;">A 6-1/2"/165mm</td> <td style="width: 30%;">C 2" / 50mm</td> <td style="width: 40%;"></td> </tr> <tr> <td>B 6"/152mm</td> <td>E 2"/50mm</td> <td></td> </tr> </table> <p>Minimum clearance of Vent Terminal to Outside Corner & Inside Corner: with AstroCap 6"/150mm with Dura-Vent Cap 12"/300mm</p>			A 6-1/2"/165mm	C 2" / 50mm		B 6"/152mm	E 2"/50mm																
A 6-1/2"/165mm	C 2" / 50mm																						
B 6"/152mm	E 2"/50mm																						
																							
<p>This appliance must be installed in accordance with local codes, if any; if none, follow the National Fuel Gas Code, ANSI Z223.1, or Natural Gas and Propane Installation Code, CSA B149.1. This appliance must be installed in accordance with the Standard CAN/CSA Z240 MH, Mobile Housing, in Canada, or with the Manufactured Home Construction and Safety Standard, Title 24 CFR, Part 3280, in the United States, or when such a standard is not applicable, ANSI/NCS-BCS A225.1/NFPA 501A, Manufactured Home Installations Standard, or ANSI A119.2 ou NFPA 501C Standard for Recreational Vehicles This appliance is only for use with the type of gas indicated on the rating plate and may be installed in an aftermarket, permanently located, manufactured (mobile) home where not prohibited by local codes. See owner's manual for details. Installer l'appareil selon les codes ou règlements locaux, ou, en l'absence de tels règlements, selon les codes d'installation ANSI Z223.1, National Fuel Gas Code ou CSA-B149.1 en vigueur. Installer l'appareil selon la norme CAN/CSA-Z240, Série MM, Maisons mobiles ou CAN/CSA-Z240 VC, Véhicules de camping, ou la norme 24 CFR Part 3280, Manufactured Home Construction and Safety Standard. Si ces normes ne sont pas pertinentes, utilisez la norme ANSI/NCS-BCS A225.1/NFPA 501A, Manufactured Home Installations Standard, ou ANSI A119.2 ou NFPA 501C Standard for Recreational Vehicles. Cet appareil doit être utilisé uniquement avec le type de gaz indiqué sur la plaque signalétique. Cet appareil peut être installé dans une maison préfabriquée ou mobile (E.-U. seulement) installée à demeure si les règlements locaux le permettent. Voir la notice de l'utilisateur pour plus de renseignements. Cet appareil ne peut pas être utilisé avec d'autres gaz sauf si une trousse de conversion certifiée est fournie. This vented gas fireplace heater is not for use with air filters. Ne pas utiliser de filtre à air avec ce foyer au gaz à évacuation. For use with glass doors certified with the appliance only Pour utilisation uniquement avec les portes en verre certifiées avec l'appareil</p> <p>ÉLECTRICAL SUPPLY/ALIMENTATION ÉLECTRIQUE : 115V_60HZ less than/moins de 2 A. For Use Only with Barrier (Part #743-100). Follow Installation Instructions. Utiliser uniquement avec un écran de sécurité (pièce n° 743-100). Suivre les consignes d'installation. NOT FOR USE WITH SOLID FUELS / NE PAS UTILISER AVEC UN COMBUSTIBLE SOLIDE FPI Fireplace Products International Ltd. Delta, BC, Canada Made in Canada / Fabriqué au Canada 920-414</p>																							

For the State of Massachusetts, installation and repair must be done by a plumber or gasfitter licensed in the Commonwealth of Massachusetts.

For the State of Massachusetts, flexible connectors shall not exceed 36 inches in length.

For the State of Massachusetts, the appliances individual manual shut-off must be a t-handle type valve.

The State of Massachusetts requires the installation of a carbon monoxide alarm in accordance with NFPA 720 and a CO alarm with battery back up in the same room where the gas appliance is installed.

Gas Installation Checklist

This general checklist does not contain all pertinent installation details or specifics and does not supersede the guidelines in this manual. Your Regency dealer/installer should use it in conjunction with manual instructions. Please follow all local codes and jurisdictions in authority.

Customer: _____	Date Installed: _____		
Install Address: _____	Location of Fireplace: _____		
Serial No: _____	Installer: _____		
Model No: _____			
Site Requirements	YES	NO	
If applicable, are the insulation, vapour barrier, and drywall present if installed on an outside wall or chase?			
Does the area have a solid continuous base to support the unit?			
Will the area accommodate the size of the appliance and all clearances?			
Are the gas and electrical roughed into the area where the unit is being installed?			
In City & Grandview series cool wall applications, is the chase enclosure sealed to prevent heat from escaping? All hot air from the unit must exit via the mandatory ventilation openings.			
In City & Grandview applications, Is the chase enclosure vented with the mandatory heat ventilation openings? See manual for details.			
If applicable, is the masonry/factory built freplace in its original condition with no modifications?			
If applicable, have the hearth requirements been met?			
Unit Setup	YES	NO	
If applicable, are the standoffs and top nailing flange extensions installed and at the correct depth to accommodate finishing material? See manual for details.			
If applicable, is the fireplace level and secured, meeting framing clearances? See manual for details.			
If applicable, is the unit converted to top or rear vent per manual instructions, and the insulation discarded?			
Venting	YES	NO	
Are the venting components approved for the unit installed?			
Does the venting configuration comply with venting diagrams?			
Is venting installed and secured, and are clearances for the vent pipe and termination cap maintained?			
If applicable, was a 1/4" rise maintained for every foot of horizontal run?			
Was the termination installed and sealed?			
Is the direct vent termination at the highest point in the vent assembly?			
If applicable, are both chimney liners continuous from flue collars to termination?			
Electrical and Wiring	YES	NO	
Is the appliance connected to the household's 110/120v per local codes? Check local codes for receptacle placement.			
Were the connections in the fireplace tested with a circuit tester?			
Is the appliance properly grounded?			
If applicable, is the supplied electrical/gang box affixed to the wall to facilitate the mounting of the receiver/battery box ?			
If applicable, is all electrical, Ethernet, HDMI, networking, optical, wire/cables, conduits, etc. run through the wood or steel stud work as wires/cables of any kind cannot be exposed directly above or over the fireplace?			
Gas	YES	NO	
Does the supply pressure meet the requirements shown on the rating plate?			
Was a conversion performed?			
Was a leak check performed and manifold pressures verified?			

owner's information

Is the shut-off valve installed and easily accessible to the customer?		
Finishing	YES	NO
If applicable, is only noncombustible material installed in the noncombustible areas?		
Do clearances meet installation and manual requirements?		
Do the mantels and/or projections comply with the installation manual?		
If applicable, was the solid fuel fireplace warning plate installed?		
Is the chase enclosure fully open the full width, height and depth above the fireplace as per the requirements noted in the framing section?		
Appliance Media Setup	YES	NO
Do commands from the remote or wall switch light the pilot and main burner?		
Are the burner media/log set, glass door, and screen installed per instructions in the manual?		
Was the air shutter on the proper setting after running the unit for 20 minutes?		
If applicable, were the surround and trims installed according to the manual?		
Was the operation of the fan, lights (if installed), and flame modulation checked?		
Customer Tutorial and Presentation	YES	NO
Is the customer confident operating the new gas appliance and aware of all the features on the remote?		
Confirm that the rating and lighting plates are attached to the appliance. Do not remove.		
Was the customer informed of the location of the rating and lighting plates?		
Was accessing unit controls in a power outage explained to the customer?		
Are the model and serial numbers and the date of installation of the unit written in the manual and on the checklist?		
Were the warranty and unit registration reviewed with the customer?		
Comments:		

Copy of the Lighting Plate Instructions

**FOR YOUR SAFETY READ BEFORE LIGHTING
POUR VOTRE SÉCURITÉ – À LIRE AVANT LA MISE EN MARCHÉ**

This appliance must be installed in accordance with local codes, if any; if none, follow the National Fuel Gas Code, ANSI Z223.1/NFPA 54, or Natural Gas and Propane Installation Codes, CSA B149.1.
Cet appareil doit être installé conformément aux codes locaux, s'il y a lieu. En l'absence de tels codes, suivre le National Fuel Gas Code, ANSI Z223.1/NFPA 54, ou les Natural Gas and Propane Installation Codes, CSA B149.1.

WARNING: If you do not follow these instructions exactly, a fire or explosion may result causing property damage, personal injury or loss of life. Improper installation, adjustment, alteration, service or maintenance can cause injury or property damage. Refer to the owner's information manual provided with this appliance. For assistance or additional information consult a qualified installer, service agency or gas supplier.
AVERTISSEMENT: Quiconque ne respecte pas à la lettre les instructions dans la présente notice risquerait de déclencher un incendie ou une explosion entraînant des dommages, des blessures ou la mort. Une installation, d'ajustement, de modification, de service ou d'entretien peut provoquer des blessures ou des dommages matériels. Reportez-vous au manuel du propriétaire de l'information fournie avec cet appareil. Pour obtenir de l'aide ou des informations supplémentaires consulter un installateur qualifié, une agence de service ou fournisseur de gaz.


A) This appliance has a pilot that must be lighted by hand. When lighting the pilot, follow these instructions exactly.
B) **BEFORE LIGHTING** smell all around the appliance area for gas. Be sure to smell next to the floor because some gas is heavier than air and will settle on the floor.
WHAT TO DO IF YOU SMELL GAS
- Do not try to light any appliance.
- Do not touch any electric switch, do not use any phone in your building.
- Leave the building immediately.
- Immediately call your gas supplier from a neighbours phone. Follow the gas supplier's instructions.
- If you cannot reach your gas supplier, call the fire department.
C) Use only your hand to push in or turn the gas control knob. Never use tools. If the knob will not push in or turn by hand, do not try to repair it; call a qualified service technician. Force or attempted repair may result in a fire or explosion.
D) Do not use this appliance if any part has been under water. Immediately call a qualified service technician to inspect the appliance and replace any part of the control system and any gas control which has been underwater.
A) Cet appareil est muni d'une veilleuse qui doit être allumée manuellement. Respectez les instructions ci-dessous à la lettre.
B) **AVANT LA MISE EN MARCHÉ**, renifllez tout autour de l'appareil pour détecter une odeur de gaz. Renifllez au niveau du plancher, car certains gaz sont plus lourds que l'air et peuvent s'accumuler au niveau du sol.
QUE FAIRE SI VOUS SENTEZ UNE ODEUR DE GAZ :
- Ne tentez pas d'allumer l'appareil
- Ne touchez à aucun interrupteur, n'utilisez pas de téléphones se trouvant dans le bâtiment.
- Sortez du bâtiment immédiatement
- Appelez immédiatement votre fournisseur de gaz depuis un téléphone extérieur. Suivez les instructions du fournisseur.
- Si vous ne pouvez pas rejoindre le fournisseur, appelez le service incendie.
C) Ne pousser ou tourner la manette d'admission du gaz qu'à la main. Ne jamais employer d'outil à cette fin. Si la manette reste coincée, ne tentez pas de la réparer; appelez un technicien qualifié. Quiconque tente de forcer la manette ou de la réparer peut provoquer une explosion ou un incendie.
D) N'utilisez pas cet appareil s'il a été plongé dans l'eau, même partiellement. Faites inspecter l'appareil par un technicien qualifié et remplacez tout élément du système de contrôle ou de commande qui a été plongé dans l'eau.

CAUTION: Hot while in operation. Do not touch. Severe burns may result. Due to high surface temperatures keep children, clothing and furniture, gasoline and other liquids having flammable vapors away. Keep burner and control compartment clean. See installation and operating instructions accompanying appliance.
ATTENTION : Surfaces chaudes lorsque l'appareil est en marche. Ne pas toucher. Risque de brûlures graves. En raison des températures élevées, les enfants, les vêtements et le mobilier, le carburant et tout autre liquide aux vapeurs inflammables doivent être tenus éloignés de l'appareil. Nettoyer régulièrement le brûleur et le compartiment des commandes. Voir les consignes d'installation et d'utilisation fournies avec l'appareil.

LIGHTING INSTRUCTIONS / CONSIGNES D'ALLUMAGE

STOP! Read the safety information above on this label.

1) Push in gas control knob slightly and turn clockwise to "OFF". Knob cannot be turned from "PILOT" to "OFF" unless knob is pushed in slightly. Do not force.



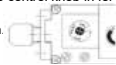
2) Wait five (5) minutes to clear out any gas. If you then smell gas STOP! Follow step "B" in the Safety Information above on this label. If you don't smell gas, go to the next step.

3) Push in gas control knob slightly and turn counterclockwise to "PILOT" position.

4) Push in control knob all the way and hold in until the pilot lights. Continue to hold the control knob in for about 20 seconds after the pilot lights. Release the knob.

5) Push in gas control knob slightly and turn counterclockwise to "ON" position.

6) Turn on the flame switch.



ARRÊTEZ ! Lisez les instructions de sécurité sur la portion supérieure de cette étiquette.

1) Enfoncez légèrement le bouton de commande de gaz et tournez dans le sens horaire en position OFF. Le bouton ne peut pas être tourné du PILOT à OFF à moins que le bouton soit enfoncé légèrement. Ne forcez pas.

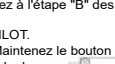
2) Attendez cinq (5) minutes pour laisser échapper tout le gaz. Si vous sentez une odeur de gaz, ARRÊTEZ! Passez à l'étape "B" des instructions de sécurité sur la portion supérieure de cette étiquette. S'il n'y a pas d'odeur de gaz, passez à l'étape suivante.

3) Enfoncez légèrement le bouton de commande de gaz et tournez dans le sens antihoraire en position PILOT.

4) Poussez le bouton de commande de gaz à fond et maintenez-le enfoncé jusqu'à ce que la veilleuse s'allume. Maintenez le bouton de commande de gaz enfoncé pendant environ 20 secondes après l'allumage de la veilleuse. Relâchez le bouton de commande de gaz.

5) Enfoncez légèrement le bouton de commande de gaz et tournez dans le sens antihoraire en position 'ON'.

6) Actionnez l'interrupteur de flamme.



TO TURN OFF GAS APPLIANCE / POUR ÉTEINDRE UN APPAREIL AU GAZ

1) Turn off the flame switch.

2) Push in the gas control knob slightly and turn clockwise to "OFF". Do not force.

3) Turn off all electric power to the appliance if service is to be performed.
You may shut off the pilot during prolonged non use periods to conserve fuel.

1) Fermez l'interrupteur de flamme.

2) Enfoncez légèrement le bouton de commande de gaz et tournez dans le sens horaire en position OFF. Ne forcez pas.

3) Avant d'effectuer des opérations d'entretien, coupez l'alimentation électrique de l'appareil.
Pour économiser le carburant, vous pouvez éteindre la veilleuse lorsque l'appareil reste longtemps inutilisé.

DO NOT REMOVE THIS INSTRUCTION PLATE

NE PAS ENLEVER CETTE ÉTIQUETTE D'INSTRUCTIONS

920-445

Adjusting Flame Height

Your heater has an adjustable flame to tailor the look and heat output to your specific needs. It is adjusted by turning the flame adjustment dial on the gas control valve.

Turn clockwise to adjust the flame higher, counterclockwise for a lower flame.



Automatic Convection Fan Operation

The fan operates automatically - turn the knob at the top right rear corner to adjust to the desired speed. The fan will turn on as the stove comes up to operating temperature. After the unit has been turned off and the unit cooled to below a useful heat output range the fan will shut off automatically.

MA Code - CO Detector (for the State of Massachusetts only)

5.08: Modifications to NFPA-54, Chapter 10

(2) Revise 10.8.3 by adding the following additional requirements:

(a) For all side wall horizontally vented gas fueled equipment installed in every dwelling, building or structure used in whole or in part for residential purposes, including those owned or operated by the Commonwealth and where the side wall exhaust vent termination is less than seven (7) feet above finished grade in the area of the venting, including but not limited to decks and porches, the following requirements shall be satisfied:

1. **INSTALLATION OF CARBON MONOXIDE DETECTORS.** At the time of installation of the side wall horizontal vented gas fueled equipment, the installing plumber or gasfitter shall observe that a hard wired carbon monoxide detector with an alarm and battery back-up is installed on the floor level where the gas equipment is to be installed. In addition, the installing plumber or gasfitter shall observe that a battery operated or hard wired carbon monoxide detector with an alarm is installed on each additional level of the dwelling, building or structure served by the side wall horizontal vented gas fueled equipment. It shall be the responsibility of the property owner to secure the services of qualified licensed professionals for the installation of hard wired carbon monoxide detectors

a. In the event that the side wall horizontally vented gas fueled equipment is installed in a crawl space or an attic, the hard wired carbon monoxide detector with alarm and battery back-up may be installed on the next adjacent floor level.

b. In the event that the requirements of this subdivision can not be met at the time of completion of installation, the owner shall have a period of thirty (30) days to comply with the above requirements; provided, however, that during said thirty (30) day period, a battery operated carbon monoxide detector with an alarm shall be installed.

2. **APPROVED CARBON MONOXIDE DETECTORS.** Each carbon monoxide detector as required in accordance with the above provisions shall comply with NFPA 720 and be ANSI/UL 2034 listed and IAS certified.

3. **SIGNAGE.** A metal or plastic identification plate shall be permanently mounted to the exterior of the building at a minimum height of eight (8) feet above grade directly in line with the exhaust vent terminal for the horizontally vented gas fueled heating appliance or equipment. The sign shall read, in print size no less than one-half (1/2) inch in size, "**GAS VENT DIRECTLY BELOW. KEEP CLEAR OF ALL OBSTRUCTIONS**".

4. **INSPECTION.** The state or local gas inspector of the side wall horizontally vented gas fueled equipment shall not approve the installation unless, upon inspection, the inspector observes carbon monoxide detectors and signage installed in accordance with the provisions of 248 CMR 5.08(2)(a)1 through 4.

(b) **EXEMPTIONS:** The following equipment is exempt from 248 CMR 5.08(2)(a)1 through 4:

1. The equipment listed in Chapter 10 entitled "Equipment Not Required To Be Vented" in the most current edition of NFPA 54 as adopted by the Board; and

2. Product Approved side wall horizontally vented gas fueled equipment installed in a room or structure separate from the dwelling, building or structure used in whole or in part for residential purposes.

(c) **MANUFACTURER REQUIREMENTS - GAS EQUIPMENT VENTING SYSTEM PROVIDED.** When the manufacturer of Product Approved side wall horizontally vented gas equipment provides a venting system design or venting system components with the equipment, the instructions provided by the manufacturer for installation of the equipment and the venting system shall include:

1. Detailed instructions for the installation of the venting system design or the venting system components; and

2. A complete parts list for the venting system design or venting system.

(d) **MANUFACTURER REQUIREMENTS - GAS EQUIPMENT VENTING SYSTEM NOT PROVIDED.** When the manufacturer of a Product Approved side wall horizontally vented gas fueled equipment does not provide the parts for venting the flue gases, but identifies "special venting systems", the following requirements shall be satisfied by the manufacturer:

1. The referenced "special venting system" instructions shall be included with the appliance or equipment installation instructions; and

2. The "special venting systems" shall be Product Approved by the Board, and the instructions for that system shall include a parts list and detailed installation instructions.

(e) A copy of all installation instructions for all Product Approved side wall horizontally vented gas fueled equipment, all venting instructions, all parts lists for venting instructions, and/or all venting design instructions shall remain with the appliance or equipment at the completion of the installation.

Important Message

SAVE THESE INSTRUCTIONS

The Direct Vent Freestanding Gas Stove must be installed in accordance with these instructions. Carefully read all the instructions in this manual first. Consult the building authority having jurisdiction to determine the need for a permit prior to starting the installation.

Note: Failure to follow the instructions could cause a malfunction of the heater which could result in death, serious bodily injury, and/or property damage. Failure to follow these instructions may also void your fire insurance and/or warranty.

Note: These instructions take precedence over Simpson Dura-Vent instructions.

Specifications

Fuels: H35U-NG is approved for use with natural gas.

H35U-LP is approved for use with liquefied petroleum gases (propane).

Electrical: 120V A.C. system.

Circulation Fan: Variable speed, 125/75.

Log Sets: Ceramic fibre, 7 per set.

Vent System: Coaxial (6-5/8" outer / 4" inner liner) rigid flue and termination cap.

The efficiency rating of the appliance is a product thermal efficiency rating determined under continuous operating conditions and was determined independent of any installed system.

Information for Mobile / Manufactured Homes After First Sale

This Hampton® product has been tested and listed by ITS Testing Services as a Direct Vent Wall Furnace to ANSI Z21.88.

This Direct Vent System Appliance must be installed in accordance with the manufacturer's installation instructions and the Manufactured Home Construction and Safety Standard, Title 24 CFR, Part 3280, or the current Standard of Fire Safety Criteria for Manufactured Home Installations, Sites, and Communities ANSI/NFPA 501A, and with CAN/CSA Z240-MH Mobile Home Standard in Canada.

This appliance installation must comply with the manufacturer's installation instructions and local codes, if any. In the absence of local codes follow the current National Fuel Gas Code, ANSI Z223.1 and the current National Electrical Code ANSI/NFPA 70 in the U.S.A., and the current CSA B149.1 Gas Installation Code and the current Canadian Electrical Code CSA C22.1 in Canada.

This Hampton® Mobile/Manufactured Home Listed appliance comes factory equipped with a means to secure the unit.

This Hampton® Mobile/Manufactured Home listed appliance comes equipped with a dedicated #8 ground lug to which an 18 gauge copper wire from the steel chassis ground must be attached.

This appliance may only be installed in an aftermarket permanently located, manufactured (USA only) or mobile home, where not prohibited by local codes.

This appliance is only for use with the type of gas indicated on the rating plate. This appliance is not convertible for use with other gases, unless a certified kit is used.

installation

Before You Start

Safe installation and operation of this appliance requires common sense, however, we are required by the Canadian Safety Standards and ANSI Standards to make you aware of the following:

Important Information on the H35U

MODEL H35U

Standing pilot (Approved for use in the USA only)
This appliance is a millivolt standing Pilot system fitted with a pilot which stays lit continuously 24/7 365 days of the year. As long as the pilot is lit, this will remain ON until such time the pilot is turned off by the operator of the appliance.

This system is not approved for sale in Canada due to the requirements of the 7 day timer.

See the instructions in this manual and on the Lighting Instructions plate on the appliance to light or relight the pilot.

INSTALLATION AND REPAIR SHOULD BE DONE BY AN AUTHORIZED SERVICE PERSON. THE APPLIANCE SHOULD BE INSPECTED BEFORE USE AND AT LEAST ANNUALLY BY A PROFESSIONAL SERVICE PERSON. MORE FREQUENT CLEANING MAY BE REQUIRED DUE TO EXCESSIVE LINT FROM CARPETING, BEDDING MATERIAL, ETC. IT IS IMPERATIVE THAT CONTROL COMPARTMENTS, BURNERS AND CIRCULATING AIR PASSAGEWAYS OF THE APPLIANCE BE KEPT CLEAN.

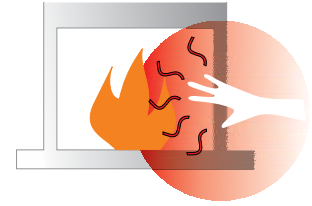
DUE TO HIGH TEMPERATURES, THE APPLIANCE SHOULD BE LOCATED OUT OF TRAFFIC AND AWAY FROM FURNITURE AND DRAPERIES.

WARNING: FAILURE TO INSTALL THIS APPLIANCE CORRECTLY WILL VOID YOUR WARRANTY AND MAY CAUSE A SERIOUS HOUSE FIRE.

CHILDREN AND ADULTS SHOULD BE ALERTED TO THE HAZARDS OF HIGH SURFACE TEMPERATURES, ESPECIALLY THE FIREPLACE GLASS, AND SHOULD STAY AWAY TO AVOID BURNS OR CLOTHING IGNITION.

YOUNG CHILDREN SHOULD BE CAREFULLY SUPERVISED WHEN THEY ARE IN THE SAME AREA AS THE APPLIANCE. TODDLERS, YOUNG CHILDREN AND OTHERS MAY BE SUSCEPTIBLE TO ACCIDENTAL CONTACT BURNS. A PHYSICAL BARRIERS IS RECOMMENDED IF THERE ARE AT RISK INDIVIDUAL IN THE HOUSE. TO RESTRICT ACCESS TO A FIREPLACE OR STOVE, INSTALL AN ADJUSTABLE SAFETY GATE TO KEEP TODDLERS, YOUNG CHILDREN AND OTHER AT RISK INDIVIDUALS OUT OF THE ROOM AND AWAY FROM HOT SURFACES.

CLOTHING OR OTHER FLAMMABLE MATERIAL SHOULD NOT BE PLACED ON OR NEAR THE APPLIANCE.



- 1) Provide adequate clearances for servicing, proper operation and around the air openings into the combustion chamber.
- 2) The appliance must be installed on a flat, solid, continuous surface (e.g. wood, metal, concrete). This may be the floor, or it can be raised up on a platform to enhance its visual impact. The appliance may be installed on carpeting, tile, wood flooring or other combustible material, because the appliance's base extends the full width and depth of the appliance. The Direct Vent Freestanding Gas Stove can be installed in a wide variety of ways and will fit nearly any room layout. It may be installed in a recessed position, framed out into the room, or across a corner.
- 3) The Direct Vent Freestanding Gas Stove is approved for alcove installations, which meet the clearances listed in the "Clearance to Combustibles" section. This unit is approved for manufactured home installations, see the "Manufactured Mobile Home Additional Requirements" section and the "Venting Arrangement" section for the required vent arrangements. If installed into a manufactured home the unit must be bolted down to the floor.
- 4) This appliance is Listed for bedroom installations when used with a Listed Millivolt Thermostat. Some areas may have further requirements, check local codes before installation.
- 5) This appliance is Listed for Alcove installations, maintain minimum Alcove clearances as follows, minimum width of 40" (1016mm), a maximum depth of 36" (914mm), and minimum ceiling height of 64" (1626mm) from floor to ceiling.
- 6) We recommend that you plan your installation on paper using exact measurements for clearances and floor protection before actually installing this appliance. Have a qualified building inspector review your plans before installation.

General Safety Information

- 1) The appliance installation must conform with local Canadian Electrical Code.
- 2) The appliance when installed, must be electrically grounded in accordance with local codes, or in the absence of local codes with the current National Electrical Code, ANSI/NFPA 70 or CSA C22.1 Canadian Electrical Code.
- 3) The appliance should be inspected for shipping damage before use and **serviced annually by a professional service person**. More frequent cleaning may be required due to excessive lint from carpeting, bedding material, etc. It is imperative that control compartments, and circulating air passageways of the appliance be kept clean and free from excessive lint from carpeting.
- 4) See general construction and assembly instructions. The appliance and vent should be enclosed when installed in or passing through a living area, where children may come in contact with it.
- 5) This appliance must be connected to the specified vent and termination cap to the outside of the building envelope. Never vent to another room or inside a building. Make sure that the vent is fitted as per the instructions starting in the "Exterior Vent Terminal Locations" section.
- 6) Inspect the venting system annually for blockage and any signs of deterioration.
- 7) Venting terminals shall not be recessed into a wall or siding.
- 8) Any safety glass removed for servicing must be replaced prior to operating the appliance.
- 9) To prevent injury, do not allow anyone who is unfamiliar with the operation to use the fireplace.

Emissions from burning wood or gas could contain chemicals known to the State of California to cause cancer, birth defects or other reproductive harm.

Installation Checklist

- 1) Locate your appliance. Refer to the following sections:
 - a. Clearances to combustibles
 - b. Locating Your Gas Stove
 - c. For venting requirements, see "Venting Introduction" to "Venting Arrangements" Section.
- 2) Install Optional Fan. Refer to the "Optional Fan Installation" section.
- 3) Set vent restrictors. Refer to the "Vent Restrictor Position" section.

- 4) Install venting. Refer to the following sections where applicable:
 - a. Check all venting requirements. See "Venting Introduction" to "Venting Arrangements" sections.
 - b. Vertical Termination with Co-linear Flex System
 - c. DV Stove Horizontal Vent Kit
 - d. Dura-Vent Termination Kit.
- 5) Make gas connections. Refer to the "Gas Connection" section

Test the pilot. Must be as per diagram in the "Maintenance Instruction" section.

If converting to Propane, make changes prior see the "Conversion from Natural Gas to Propane" section.
- 6) Test Gas Pressure. Refer to the "Gas Pipe Pressure Testing" section.
- 7) Install standard and optional features. Refer to the following sections where applicable:
 - a. Brick Panels
 - b. Log Set Installation
 - c. Wall Thermostat
 - d. Remote Control
- 8) Final check. Refer to the "Final Check" section.

Before leaving this unit with the customer, the installer must ensure that the appliance is firing correctly and **operation fully explained to customer**.

This includes:

- 1) Locking the appliance to ensure the correct firing rate (rate noted on label) after burning appliance for 15 minutes.
- 2) If required, adjusting the primary air to ensure that the flame does not carbon. First allow the unit to burn for 15-20 min. to stabilize.

CAUTION: Any alteration to the product that causes sooting or carboning that results in damage is not the responsibility of the manufacturer.

Clearances to Combustibles

The clearances listed are MINIMUM distances. Measure the clearance to both the appliance and the chimney connector. **The farthest distance is correct if the two clearances do not coincide.**

For example, if the appliance is set as indicated in one of the figures but the connector is too close, move the stove until the correct clearance to the connector is obtained.

This appliance may be installed only with the clearances as shown in the situations pictured. **Do not combine clearances from one type of installation with another in order to achieve closer clearances.**

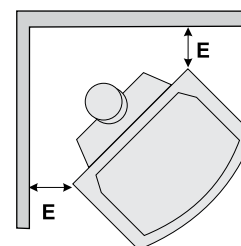
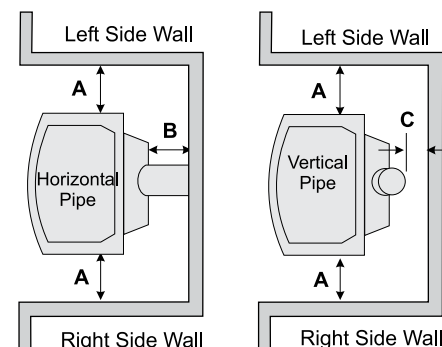
This unit can be installed on a solid combustible surface like a wood floor. This unit can also be installed directly on carpeting or vinyl.

Use the minimum clearances shown in the diagrams below:

H35U Clearances

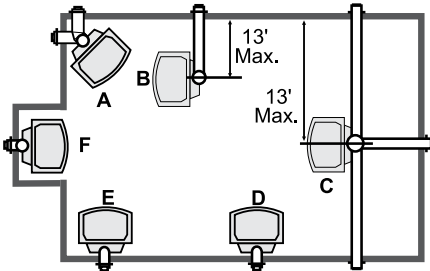
A Side Wall to Unit	6-1/2" / 165mm
B Back Wall to Unit	6" / 152mm
C Vertical Vent Pipe to Back Wall	2" / 50mm
E Unit Corner to Wall	2" / 50mm
Unit Top to Alcove Ceiling	36" / 914mm

Minimum ceiling height is 36" / 914mm from top of unit.



Locating Your Gas Stove

When selecting a location for your stove, ensure that the clearances listed above are met as well as ensuring that there is adequate accessibility for servicing and proper operation.



- A) Cross Corner
- B) Room Divider
- C) Island
- D) Flat on Wall
- E) Flat on Wall Corner
- F) Flush with Wall/Alcove

For Vent Termination requirements, see the "Exterior Vent Terminal Locations" section.

Manufactured Mobile Home Additional Requirements

- 1) Ensure that structural members are not cut or weakened during installation.
- 2) Ensure proper grounding using the #8 ground lug provided.
- 3) Appliance must be anchored to the floor with the supplied anchoring methods.

Combustion and Ventilation Air

The combustion air from this appliance is drawn from outside the building through the outer flue. **Extra provision for combustion air inside the room is not required.**

Venting Introduction

The Horizontal Termination Kit and the rigid pipe venting systems, in combination with the Direct Vent Freestanding Gas Stoves H35 have been tested and listed as direct vent heater systems by Warnock Hersey.

These units use the "balanced flue" technology Co-Axial system. The inner liner vents products of combustion to the outside while the outer pipe draws outside combustion air into the combustion chamber thereby eliminating the need to use heated room air for combustion and losing warm room air up the chimney.

Note: These flue pipes must not be connected to any other appliance.

The gas appliance and vent system must be vented directly to the outside of the building, and never be attached to a chimney serving a separate solid fuel or gas burning appliance. Each direct vent gas appliance must use its own separate vent system. Common vent systems are prohibited.

IMPORTANT

Read all instructions carefully before starting the installation. Failure to follow these instructions may create a fire or other safety hazard, and will void the warranty. Be sure to check the venting and clearance to combustible requirements. Consult your local building codes before beginning installation.

The location of the termination cap must conform to the requirements in the "Exterior Vent Terminal Locations" section.

Installation Precautions

These venting systems are engineered products that have been designed and tested for use with the H35. The warranty will be voided and serious fire, health or other safety hazards may result from any of the following actions:

- 1) Installation of any damaged Direct Vent component
- 2) Unauthorized modification of the Direct Vent System
- 3) Installation of any component part not approved by FPI - Fireplace Products International Ltd.
- 4) Installation other than as instructed by the approved rigid pipe manufacturers and FPI Fireplace Products International Ltd.

Warning: Always maintain required clearances (air spaces) to nearby combustibles to prevent a fire hazard. Do not fill air spaces with insulation.

Be sure to check the vent termination clearance requirements from decks, windows, soffits, gas regulators, air supply inlets and public walkways as specified in the "Exterior Vent Terminal Locations" section and in your local building codes.

The gas appliance and vent system must be vented directly to the outside of the building and never attached to a chimney serving a separate solid fuel or gas-burning appliance. Each direct vent gas appliance must use its own separate vent system. Common vent systems are prohibited.

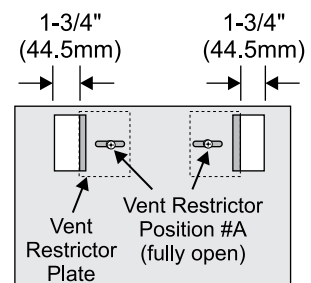
Safety Precautions for The Installer

- 1) Wear gloves and safety glasses for protection.
- 2) Exercise extreme caution when using ladders or on roof tops.
- 3) Be aware of electrical wiring locations in walls and ceilings.

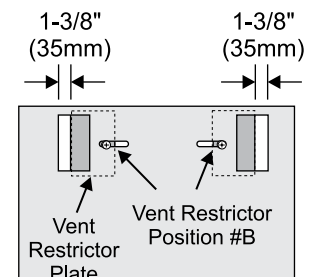
Vent Restrictor Position

Vent restriction is required for certain venting installations, see the diagrams in "Venting Arrangement" section to determine if they are required for your installation.

To set the Vent restriction as indicated in the diagrams in the "Venting Arrangement" section, simply loosen the screws and push the vent restrictor plate to the correct position. Tighten the screws.



*Horizontal Termination:
Vent Restrictor setting*



*Vertical Termination:
Vent Restrictor setting*

Fan Installation

WARNING: Electrical Grounding Instructions

This appliance is equipped with a three pronged (grounding) plug for your protection against shock hazard and should be plugged directly into a properly grounded three-prong receptacle. Do not cut or remove the grounding prong from this plug.

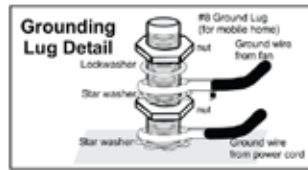


Figure 9

Fan Kit Contains:

Qty	Description
1	Fan Speed Controller with nut and knob
1	Fan Assembly with green ground wire attached
1	Power Cord
1	Plastic Wire Strain Relief Grommet
1	Plastic Cable Tidy Clip

1. Remove the Top Control Panel assembly by removing the 3 screws, and install the fan speed controller onto the control panel and secure with nut. Connect the two fan speed controller wires to the two available wire connectors.



Figure 1

2. Reinstall the Top Control Panel assembly with the 3 screws, and push black control knob onto fan speed controller.



Figure 2



Figure 3

3. Remove the rear fan access panel by removing the 6 screws.



Figure 4

4. Install the power cord onto the unit. Pass the end of the cable through the hole in the back cover panel, leaving about 8 inches of cable inside the unit. Clamp the plastic wire strain relief grommet onto the power cord and push it into the hole from the outside to secure the cord in place.



Figure 5

5. Secure power cord ground wire (green) to ground lug as shown in Fig 9.

6. Connect the black wire with male connector from the power cord to the black wire with female connector from the unit.



Figure 6

7. Secure green ground wire from fan assembly to ground lug as shown in Fig 9.

8. Install fan into unit by aligning the two rubber grommets on the fan assembly with the two upright pins on the unit and lowering into place to secure.

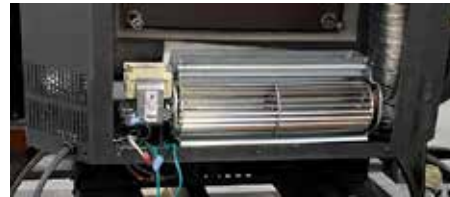


Figure 7

9. Connect the white wire from the unit and the remaining black wire from the power cord to the two connector pins on the fan assembly. Tidy excess length of ground wire using the supplied plastic cable tidy clip.



Figure 8

10. Reinstall the rear fan access panel with 6 screws to complete installation.

NOTE: When power cord is plugged in, speed control is in the ON position and stove is burning, allow 10-15 minutes for the thermdisc (temperature switch) to activate and turn on the fan automatically.

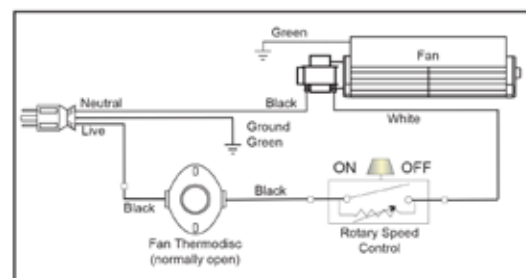
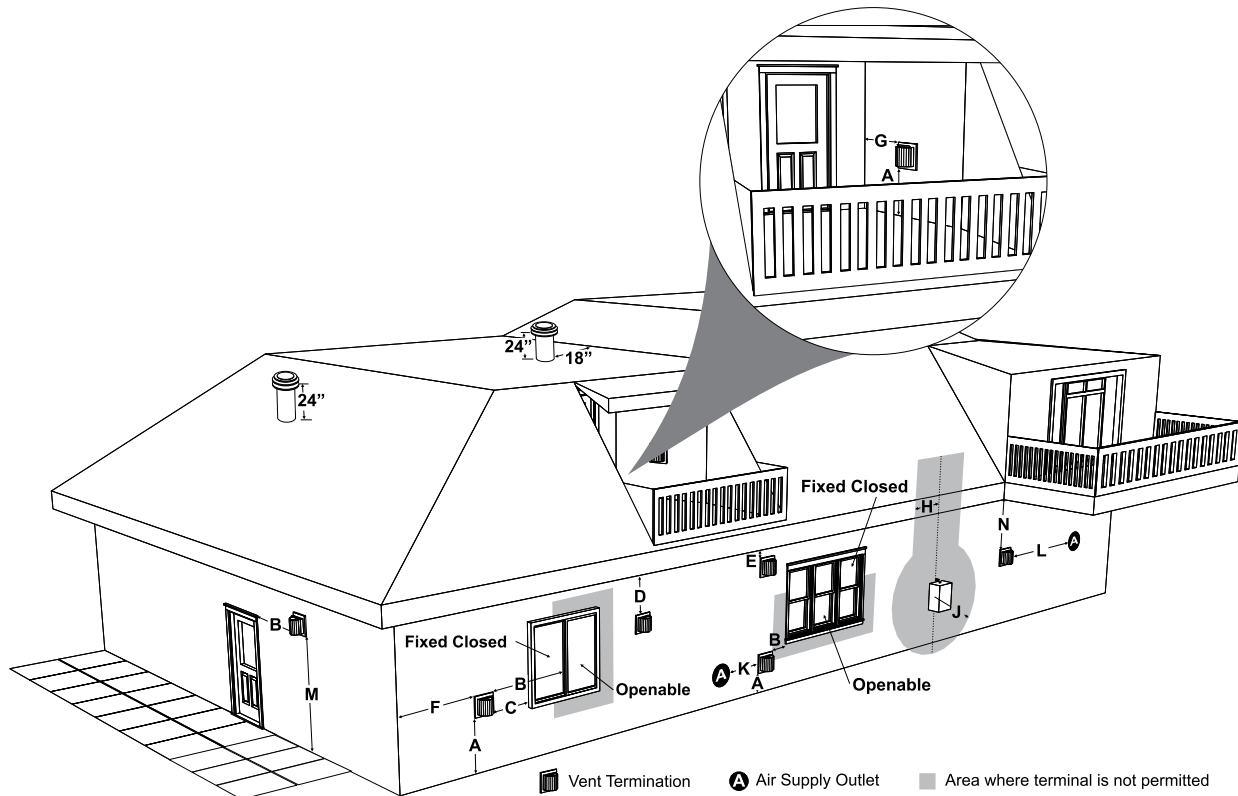


Figure 10

Exterior Vent Terminal Locations



	Minimum Clearance Requirements	Canada ¹	USA ²
A	Clearance above grade, veranda, porch, deck, or balcony	12"(30cm)	12"(30cm)
B	Clearance to window or door that may be opened	12"(30cm)	9" (23cm)
C	Clearance to permanently closed window	*	*
D	Vertical clearance to ventilated soffit located above the terminal within a horizontal distance of 2 feet (61cm) from the center line of the terminal (check with the local code)	22"(56cm)	22"(56cm)
E	Clearance to unventilated soffit	12"(30cm)	12"(30cm)
F	Clearance to outside corner: with AstroCap and Vent Riser Termination Caps	6"(15cm)	6"(15cm)
	Clearance to outside corner: with all other approved Termination Caps	12"(30cm)	12"(30cm)
G	Clearance to inside corner: with AstroCap and Vent Riser Termination Caps	6"(15cm)	6"(15cm)
	Clearance to inside corner: with all other approved Termination Caps	12"(30cm)	12"(30cm)
H	Clearance to each side of center line extended above meter/regulator assembly	36"(90cm) ^a	*
J	Clearance to service regulator vent outlet	36"(90cm)	*
K	Clearance to non-mechanical air supply inlet to building or the combustion air inlet to any other appliance	12"(30cm)	9" (23cm)
L	Clearance to a mechanical air supply inlet #3' (91cm) above if within 10' (3m) horizontally.	72"(1.8m)	36"(90cm) ^b
M	Clearance above paved sidewalk or a paved driveway located on public property	84"(2.1m) [†]	*
N	Clearance under veranda, porch, deck, or balcony	12"(30cm) [‡]	*

¹ In accordance with current CSA B149.1, *Natural Gas and Propane Installation Code*

² In accordance with the current ANSI Z223.1/NFPA 54, *National Fuel Gas Code*

[†] A vent shall not terminate directly above a sidewalk or paved driveway which is located between two single family dwellings and serves both dwellings.

[‡] Permitted only if veranda, porch, deck, or balcony is fully open on a minimum of two sides beneath the floor

* Clearance in accordance with local installation codes and the requirements of the gas supplier

^a 3 feet (91cm) within a height of 15 feet (4.5m) above the meter / regulator assembly

^b 3 feet (91cm) above - if within 10 feet (3m) horizontally

4" x 6-5/8" (102 mm x 168 mm) Rigid Pipe - Cross Reference Chart only

Components from different Manufacturers may not be mixed. Not All Rigid Pipe components are available directly from FPI.

Description	Simpson Direct Vent Pro®	*Selkirk Direct Temp™	*American Metal Products® Amerivent Direct	*Metal-Fab™ Sure Seal	*Security Secure- Vent®	*ICC Excel Direct	*Olympia Ventis DV***
6" Pipe Length-Galvanized	46DVA-06	4DT-6	N/A	4D6	SV4L6	TC-4DL6	VDV-0406
6" Pipe Length-Black	46DVA-06B	4DT-6B	N/A	4D6B	SV4LB6	TC-4DL6B	VDVB-0406
7" Pipe Length-Galvanized	N/A	N/A	4D7	N/A	N/A	N/A	N/A
7" Pipe Length-Black	N/A	N/A	4D7B	N/A	N/A	N/A	N/A
9" Pipe Length-Galvanized	46DVA-09	4DT-9	N/A	N/A	N/A	TC-4DL9	VDV-0409
9" Pipe Length-Black	46DVA-09B	4DT-9B	N/A	N/A	N/A	TC-4DL9B	VDVB-0409
12" Pipe Length-Galvanized	46DVA-12	4DT-12	4D12	4D12	SV4L12	TC-4DL1	VDV-0412
12" Pipe Length-Black	46DVA-12B	4DT-12B	4D12B	4D12B	SV4LB12	TC-4DL1B	VDVB-0412
18" Pipe Length-Galvanized	46DVA-18	4DT-18	4D18	4D18	SV4LA	TC-4DL18	VDV-0418
18" Pipe Length-Black	46DVA-18B	4DT-18B	4D18B	4D18B	SV4LA	TC-4DL18B	VDVB-0418
24" Pipe Length-Galvanized	46DVA-24	4DT-24	4D24	4D24	SV4L24	TC-4DL2	VDV-0424
24" Pipe Length-Black	46DVA-24B	4DT-24B	4D24B	4D24B	SV4LB24	TC-4DL2B	VDVB-0424
36" Pipe Length-Galvanized	46DVA-36	4DT-36	4D36	4D36	SV4L36	TC-4DL3	VDV-0436
36" Pipe Length-Black	46DVA-36B	4DT-36B	4D36B	4D36B	SV4LB36	TC-4DL3B	VDVCB-0436
48" Pipe Length-Galvanized	46DVA-48	4DT-48	4D48	4D48	SV4L48	TC-4DL4	VDV-0448
48" Pipe Length-Black	46DVA-48B	4DT-48B	4D48B	4D48B	SV4LB48	TC-4DL4B	VDVB-0448
60" Pipe Length-Galvanized	46DVA-60	4DT-60	N/A	N/A	N/A	N/A	N/A
60" Pipe Length-Black	46DVA-60B	4DT-60B	N/A	N/A	N/A	N/A	N/A

Adjustable Length 3"-10"-Galvanized	N/A	N/A	N/A	4DAL	N/A	TC-4DLT	N/A
Adjustable Length 3"-10"-Black	N/A	N/A	N/A	4DALB	N/A	TC-4DLTB	N/A
Adjustable Length 7"-Galvanized	N/A	N/A	4D7A	N/A	N/A	N/A	N/A
Adjustable Length 7"-Black	N/A	N/A	4D7AB	N/A	N/A	N/A	N/A
Extension Pipe 8-1/2"-Galvanized	46DVA-08A	N/A	N/A	N/A	N/A	N/A	N/A
Extension Pipe 8-1/2"-Black	46DVA-08AB	N/A	N/A	N/A	N/A	N/A	N/A
Adjustable Length 12"-Galvanized	N/A	N/A	4D12A	N/A	SV4LA12	TC-4dLSI	N/A
Adjustable Length 12"-Black	N/A	N/A	4D12A	N/A	SV4LBA12	TC-4dLSIB	N/A
Extension Pipe 16"-Galvanized	46DVA-16A	N/A	N/A	N/A	N/A	N/A	N/A
Extension Pipe 16"-Black	46DVA-16AB	N/A	N/A	N/A	N/A	N/A	N/A

45° Elbow-Galvanized	46DVA-E45	4DT-EL45	4D45L	N/A	N/A	TE-4DE45	VDV-EL0445
45° Elbow-Black	46DVA-E45B	4DT-EL45B	4DT-EL45B	N/A	N/A	TE-4DE45B	VDVB-EL0445
45° Elbow Swivel-Galvanized	See 46DVA-E45	N/A	N/A	4D45L	SV4E45	N/A	N/A
45° Elbow Swivel-Black	See 46DVA-E45B	N/A	N/A	4D45LB	SV4EB45	N/A	N/A
90° Elbow-Galvanized	46DVA-E90	4DT-EL90S	4DT-EL90S	N/A	N/A	TE-4DE90	VDV-EL0445
90° Elbow-Black	46DVA-E90B	4DT-EL90SB	4DT-EL90SB	N/A	SV4EBR90-1	TE-4DE90B	VDVB-EL0445
90° Elbow, Swivel-Galvanized	See 46DVA-E90	N/A	N/A	4D90L	SV4E90-1	N/A	N/A
90° Elbow, Swivel-Black	See 46DVA-E90B	N/A	N/A	4D90LB	wSV4EB90-1	N/A	N/A
90° Starter Elbow, Swivel-Galvanized	N/A	N/A	N/A	4D90A	N/A	N/A	N/A
Adaptor*	N/A	N/A	N/A	4D90L	N/A	N/A	VDV-AAA04

Ceiling Support	N/A	4DT-CS	4DSP	4DFSP	SV4SD	TM4-RDS	VDV-SCR04
Cathedral Support Box	46DVA-CS	4DT-CSS	4DRSB	4DRS	SV4CSB	TM4-SDS	VDV-CSS04
Wall Support/Band	46DVA-WS	4DT-WS/B	4DWS	4DWS	SV4BM	TM-SWS	VDV-WS04
Offset Support	46DVA-ES	4DT-OS	N/A	N/A	SV4SU	TM-SOS	N/A
Wall Thimble-Black	46DVA-WT	4DT-WT	4DWT	4DWT	SV4RSM	N/A	VDV-WPT04
Wall Thimble Cover/Ceiling Support	46DVA-DC	N/A	N/A	N/A	SV4PF	N/A	N/A
Firestop Spacer	46DVA-FS	4DT-FS	4DFSP	4DFS	SV4BF	TM-4CS	VDV-FS04
Trim Plate-Black	N/A	4DT-TP	4DFPB	4DcP	SV4LA	TM-4TP	VDV-WTC04

* Not available from Regency

installation

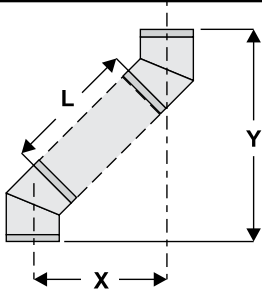
Description	Simpson Direct Vent Pro®	*Selkirk Direct Temp™	*American Metal Products® Amerivent Direct	*Metal-Fab™ Sure Seal	*Security Secure-Vent®	*ICC Excel Direct	*Olympia Ventis DV***
Attic Insulation Shield 12"	46DVA-IS	N/A	4DAIS12	4DIS	SV4RSA	N/A	VDV-AIS04
Attic Insulation Shield - Cold Climates 36"	N/A	N/A	4DAIS12	N/A	N/A	TM-4AS	N/A
Basic Horizontal Termination Kit (A)	46DVA-KHA	4DT-HKA	4DHTK2	4DHTKA	SV-SHK	TM4-HTK	VDV-KW04
Horizontal Termination Kit (B)	N/A	4DT-HKB	4DHTK1	4DHTKB	SV-HK	TM4-HTK	VDV-K04
Vertical Termination Kit	N/A	4DT-VKC	4DHTK	4DHTK	SV-FK	N/A	N/A
High Wind Vertical Cap	46DVA-VCH	4DT-VC	N/A	N/A	N/A	TM-4VT	VDV-VCHW04
High Wind Horizontal Cap	N/A	N/A	N/A	N/A	N/A	TM-4DHT	N/A
Horizontal Square Termination Cap	46DVA-HC	4DT-HHC	4DHC	4DHT	SV4CHC-1	TM-4HT	VDV-HC04
Vertical Termination Cap	46DVA-VC	4DT-HVC	4DVC	4DVT	SV4CGV-1	N/A	N/A
Storm Collar	46DVA-SC	4DT-SC	4DSC	4DSC	SV4FC	TM-SC	VDV-SC04
Flashing - Flat Roof	46DVA-FF	N/A	N/A	N/A	N/A	N/A	N/A
Adjustable Flashing 0/12-6/12	46DVA-F6	4DT-AF6	4D12S	4DF	SV4STC14	TF-4FA	VDV-F0406
Adjustable Flashing 6/12-12/12	46DVA-F12	4DT-AF12	4D36S	4DF-12	SV4STC36	TF-4FB	VDV-SSO
Vinyl Siding Standoff	46DVA-VSS	4DT-VS	N/A	4DVS	SV4VS	TM-VSS	N/A
Vinyl Siding Shield Plate	N/A	4DT-VSP	N/A	N/A	SV4VS	N/A	N/A
Snorkel Termination 14"	46DVA-SNK14	4DT-ST14	N/A	N/A	N/A	TM-4ST14	N/A
Snorkel Termination 36"	*46DVA-SNK36	4DT-ST36	N/A	N/A	N/A	TM-4ST36	N/A
Wall Firestop	46DVA-WFS	N/A	N/A	N/A	N/A	TM-4TR	VDV-FS04

* Not available from Regency

FPI			
946-506/P	Vent Guard (Optional) for AstroCap	946-205	Vinyl Siding Shield for Riser Vent Terminal
**510-994	Rigid Pipe Adaptor (Must use with all rigid piping)	946-208/P	Vent Guard (Optional) for Riser Vent Terminal
640-530/P	Riser Vent Terminal	946-523/P	AstroCap Horizontal Cap
		946-206	Vinyl Siding Standoff for AstroCap

**The rigid pipe adaptor is not required on the C34, C34E, U39, U39E, H15, H27, H35 & RC500E.

Note: When using Metal-Fab Sure Seal Rigid Piping - please note that the Adaptor (4DDA) must be used in conjunction with FPI Rigid Pipe Adaptor (510-994).

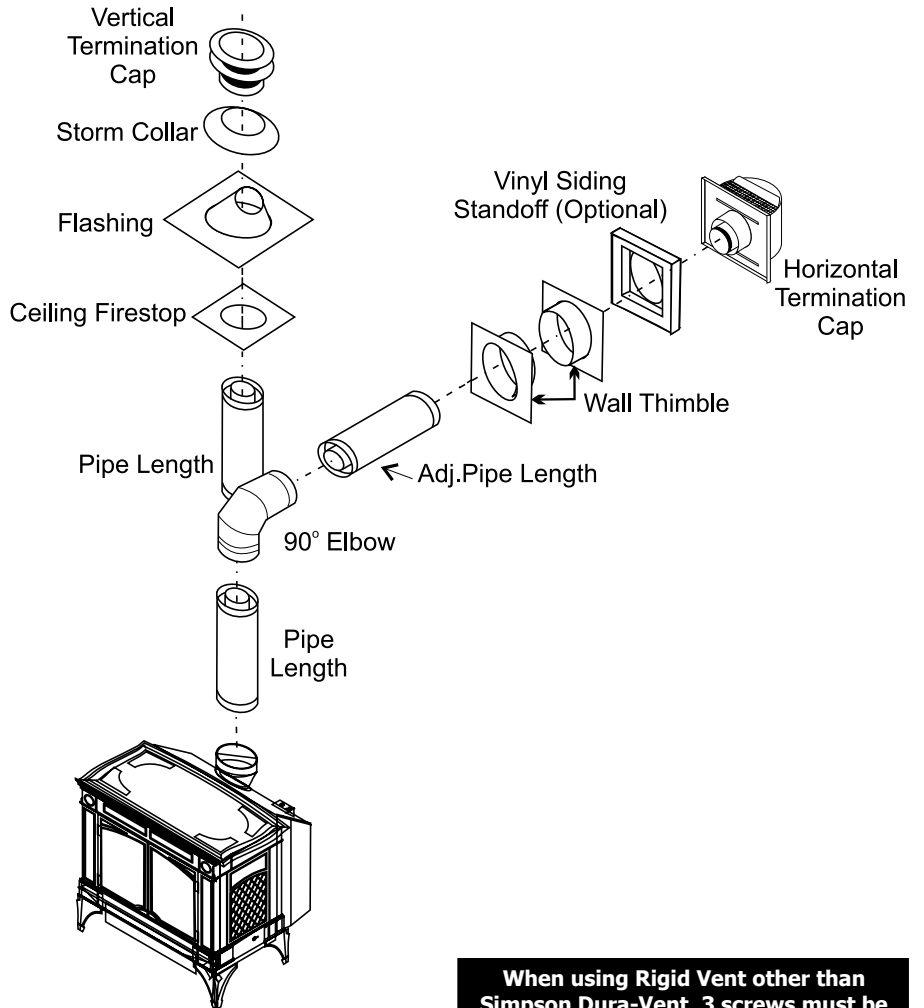
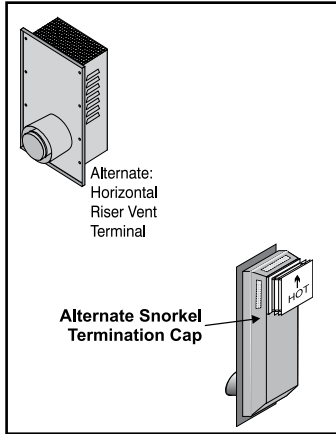
Offset Pipe Selection: Use this table to determine offset pipe lengths.				For specific instructions on venting components - visit the manufacturers website listed below.
Pipe Length (L)	4" x 6-5/8" Venting			
	Run (X)	Rise (Y)		
0" (0mm)	4-7/8" (124mm)	13-7/8" (340mm)		
6" (152mm)	8" (203mm)	16-1/2" (419mm)		
9" (229mm)	10-1/8" (257mm)	18-5/8" (473mm)		
12" (305mm)	12-1/4" (311mm)	20-3/4" (527mm)		
24" (610mm)	20-5/8" (524mm)	29-1/8" (740mm)		
36" (914mm)	29" (737mm)	37-1/2" (953mm)		
48" (1219mm)	37-7/16" (951mm)	45-15/16" (1167mm)		

Note: Horizontal runs of vent must be level, or have a 1/4" rise for every 1 foot of run towards the termination. Never allow the vent to run downward - this could cause high temperatures and may present a possible fire hazard.

Olympia Ventis DV: www.olympiachimney.com

Rigid Pipe Venting Systems
Horizontal or Vertical Terminations

Alternate Horizontal Termination Caps



WARNING:

Do not combine venting components from different venting systems.

However use of the the AstroCap™ and FPI Riser is acceptable with all systems.

This product has been evaluated by Intertek for use with Duravent Direct-Vent Pro, Selkirk Direct-Temp, Ameri Vent Direct venting and Security Secure Vent systems.

When using Rigid Vent other than Simpson Dura-Vent, 3 screws must be used to secure rigid pipe to adaptor.

The FPI AstroCap™ and FPI Riser Vent terminal are certified for installations using FPI venting systems as well as Simpson Dura-Vent® Direct Vent Pro, American Metal Products Ameri Vent Direct Vent, Security Secure Vent®, Selkirk Direct-Temp. AstroCap™ is a proprietary trademark of FPI Fireplace Products International Ltd. Dura-Vent® and Direct Vent Pro are registered and/or proprietary trademarks of Simpson Dura-Vent Co. Inc.

Rotating 45° Elbow for Straight Horizontal Terminations

1) Remove the 4 screws of the top panel.

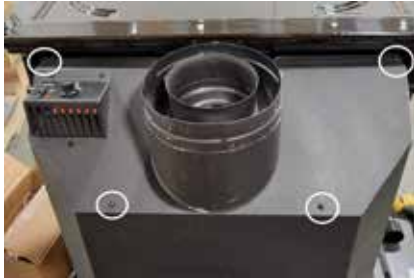


Figure 1

2) Remove all 4 screws that secure the elbow to the unit using a 1/4" magnetic nut driver.

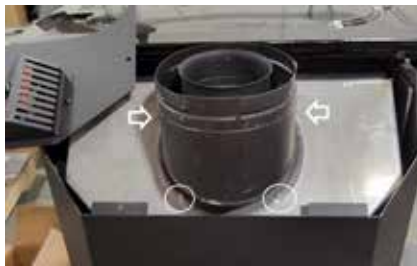


Figure 2

3) Rotate the elbow 180°

4) Secure the elbow by securing it with the 4 screws.



Figure 3

5) Return top panel. Secure with the four screws. See figure 1.

Venting Arrangements

Horizontal Terminations for All Venting Systems

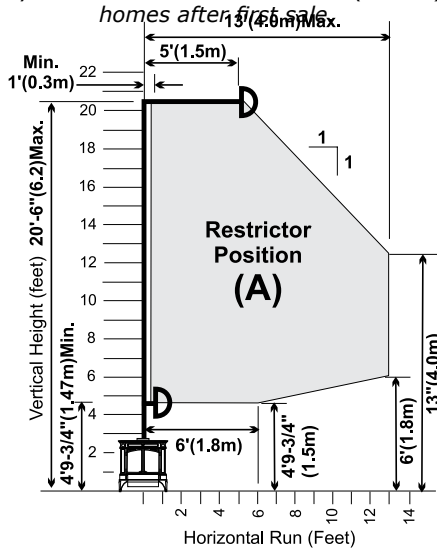
The shaded areas in the diagram below show all allowable combinations of vertical runs with horizontal terminations. Maximum one 90° elbow (two 45° elbows equal one 90° elbow).

All approved caps listed on page 12 - may be used.

Propane and Natural Gas: Residential, Manufactured and Mobile Home Installations

The venting arrangements diagrammed below, have a min. of 75% (flue loss) efficiency with Fan Off, as required for manufactured homes. (Actual efficiency may be as high as 85%)

May be installed in manufactured (mobile) homes after first sale.



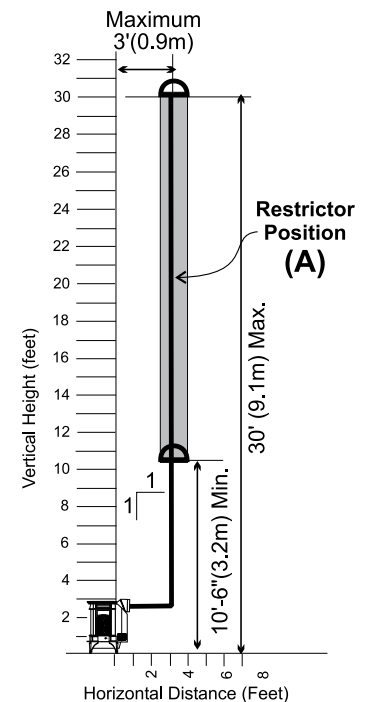
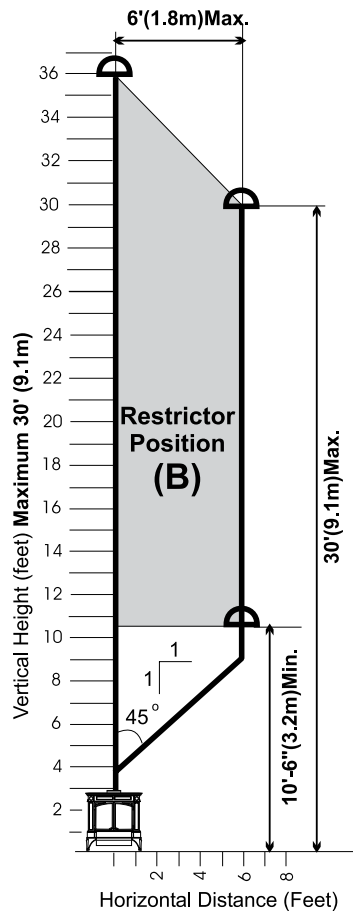
NOTE: See "Vent Restrictor Position" section for installation instructions for the Vent Restrictor Position.

Vertical Terminations Systems for Residential Manufactured and Mobile Homes

The shaded area in the diagram below shows all allowable combinations of straight vertical and offset to vertical runs with vertical terminations. Maximum two 45° elbows.

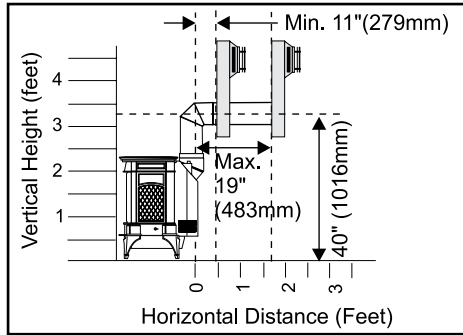
If the vent is ENCLOSED in a chase (min. size 9" x 9") maintain a 1-1/4" clearance to combustibles. May be installed in Manufactured (Mobile) Homes after first sale.

Offset to Vertical Terminations

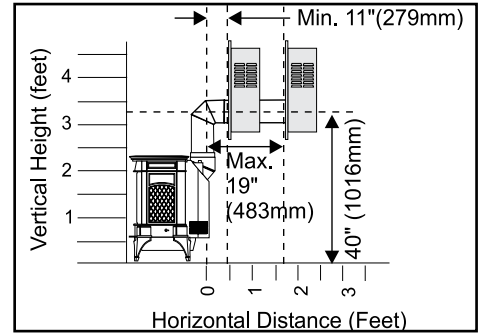


Venting Arrangements - Horizontal Terminations Using Rigid Pipe

The two diagrams show all allowable combinations of straight horizontal termination using Rigid Pipe. Restrictor position "A". Only a snorkel or FPI Riser vent may be used as shown. No other termination cap is permitted.



Snorkel Termination



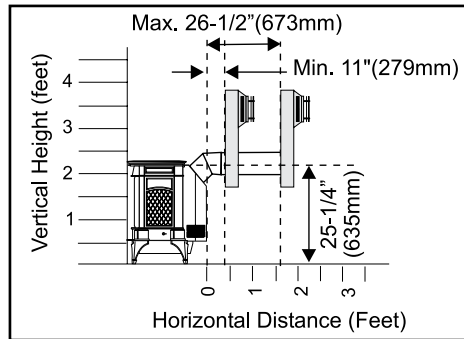
Riser Vent Termination

Venting Arrangements - Straight Horizontal Termination

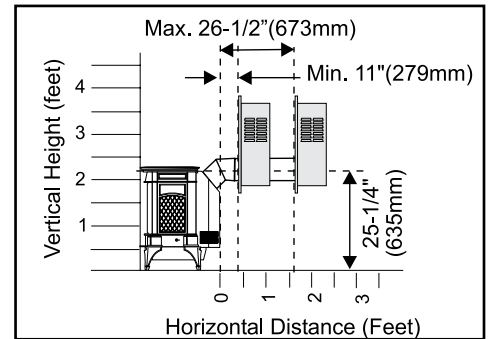
The diagrams show all allowable combinations of straight horizontal termination using Rigid Pipe. Restrictor position "A".

Only a snorkel or FPI Riser vent may be used as shown in the noted diagrams. No other termination cap is permitted.

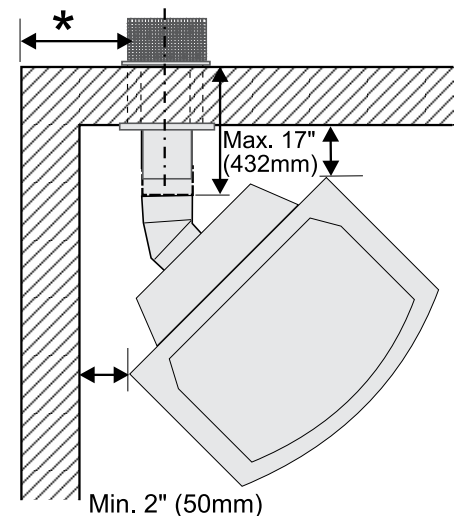
Dangerous operating conditions will occur if these instructions are not adhered to.



Snorkel Termination



Riser Vent Termination



***If this is an outside corner, the minimum distance between the vent and the outside corner is 6" (15cm). See "F" on the diagram in the "Exterior Vent Terminal Locations" section.**

installation

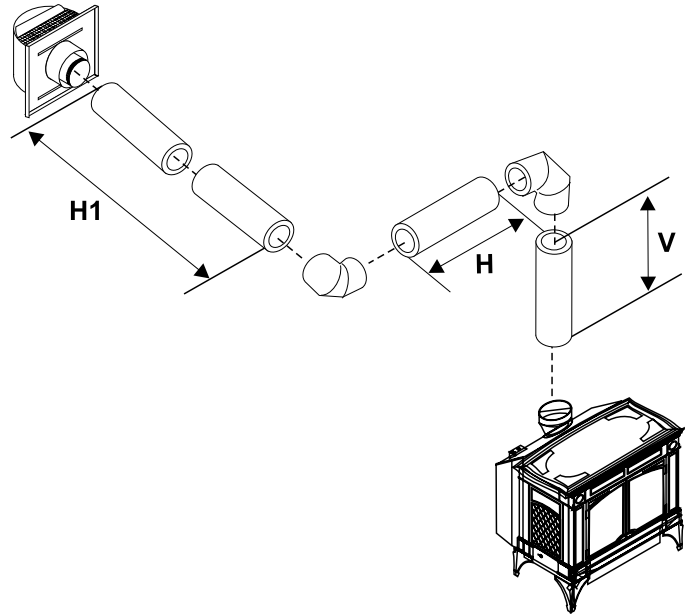
Horizontal Venting with Two 90° Elbows

One 90° elbow = Two 45° elbows.

Option	V	H + H1	With these options, maximum total pipe length is 30 feet with minimum of 8 feet total vertical and maximum 8 feet total horizontal. Please note minimum 1 foot between 90° elbows is required.
A)	3' (914 mm) min.	2' (610 mm) max.	
B)	4' (1.2 m) min.	3' (914 mm) max.	
C)	5' (1.5 m) min.	4' (1.2 m) max.	
D)	6' (1.8 m) min.	5' (1.5 m) max.	
F)	8' (2.4 m) min.	8' (2.4 m) max.	

Lengths do not include elbow indicated

Vent restrictor position A (fully open). Refer to the "Vent Restrictor Position" section.



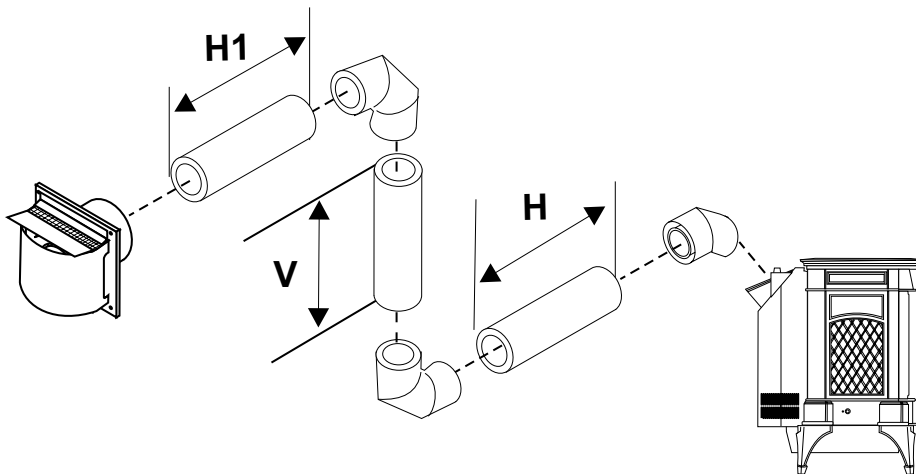
Horizontal Venting with Two 90° Elbows

One 90° Elbow = Two 45° Elbows

Option	H	V	H + H1	With these options, max. total pipe length is 30 feet with min. of 9 feet total vertical and max. 8 feet total horizontal. Please note minimum 1 foot between 90° elbows is required.
A)	1' (305 mm) max.	2' (610 mm) min.	3' (914 mm) max.	
B)	2' (610 mm) max.	3' (914 mm) min.	5' (1.5 m) max.	
C)	3' (914 mm) max.	5' (1.5 m) min.	6' (1.8 m) max.	
E)	5' (1.5 m) max.	9' (2.7 m) min.	6' (1.8 m) max.	

Lengths do not include elbow indicated

Vent restrictor position A (fully open) Refer to the "Vent Restrictor Position" section.



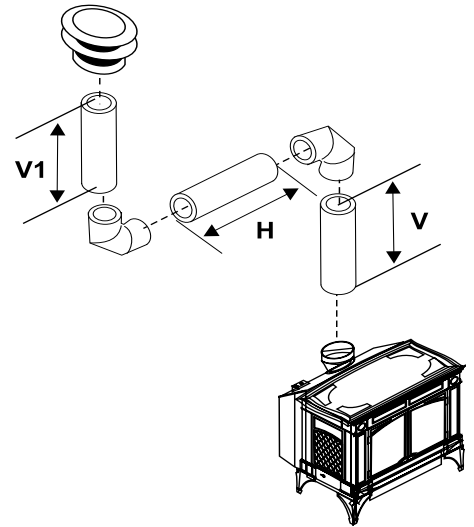
Vertical Venting with Two 90° Elbows

One 90° elbow = Two 45° elbows.

Option	V	H	V + V1	With these options, max. total pipe length is 30 feet with min. of 9 feet total vertical and max. 8 feet total horizontal.
A)	1' (305 mm) min.	3' (914 mm) max.	2' (610 mm) min.	Please note minimum 1 foot between 90° elbows is required.
B)	2' (610 mm) min.	4' (1.2 m) max.	3' (914 mm) min.	
C)	3' (914 mm) min.	5' (1.5 m) max.	4' (1.2 m) min.	
D)	4' (1.2 m) min.	6' (1.8 m) max.	5' (1.5 m) min.	
E)	5' (1.58 m) min.	7' (2.1 m) max.	6' (1.8 m)	

Lengths do not include elbow indicated

Vent restrictor position A (fully open) Refer to the "Vent Restrictor Position" section.



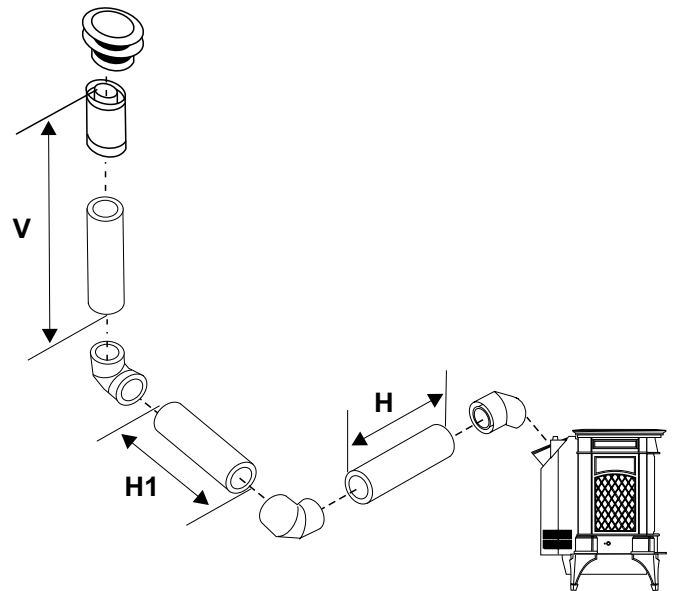
Vertical Venting with Two 90° Elbows

One 90° elbow = Two 45° elbows.

Option	H + H1	V	With these options, max. total pipe length is 30 feet with min. of 9 feet total vertical and max. 8 feet total horizontal.
A)	2' (610 mm) max.	2' (610 mm) min.	Please note minimum 1 foot between 90° elbows is required.
B)	3' (914 mm) max.	3' (914 mm) max.	
C)	4' (1.2 m) max.	4' (1.2 m) max.	
D)	5' (1.5 m) max.	5' (1.5 m) min.	
E)	6' (1.8 m) max.	6' (1.8 m) min.	

Lengths do not include elbow indicated

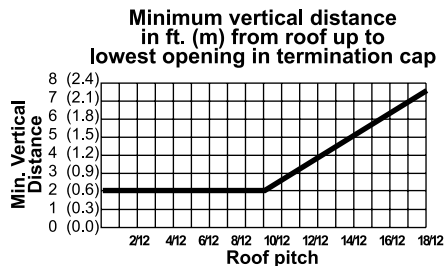
Vent restrictor position A (fully open) Refer to the "Vent Restrictor Position" section.



Vertical Termination With Co-linear Flex System

THE APPLIANCE MUST NOT BE CONNECTED TO A CHIMNEY FLUE SERVING A SEPARATE SOLID FUEL BURNING APPLIANCE.

This appliance is designed to be attached to two 3" (76mm) co-linear aluminium flex running the full length of the chimney. See the Venting Arrangements chart below for minimum and maximum flue lengths. See chart below for minimum distances from roof. Periodically check that the vent is unrestricted.



Masonry chimneys may take various contours which the flexible liner will accommodate. However, **keep the flexible liner as straight as possible**, avoid unnecessary bending.

The Air Intake pipe must be attached to the inlet air collar of the termination cap.

Required Parts:

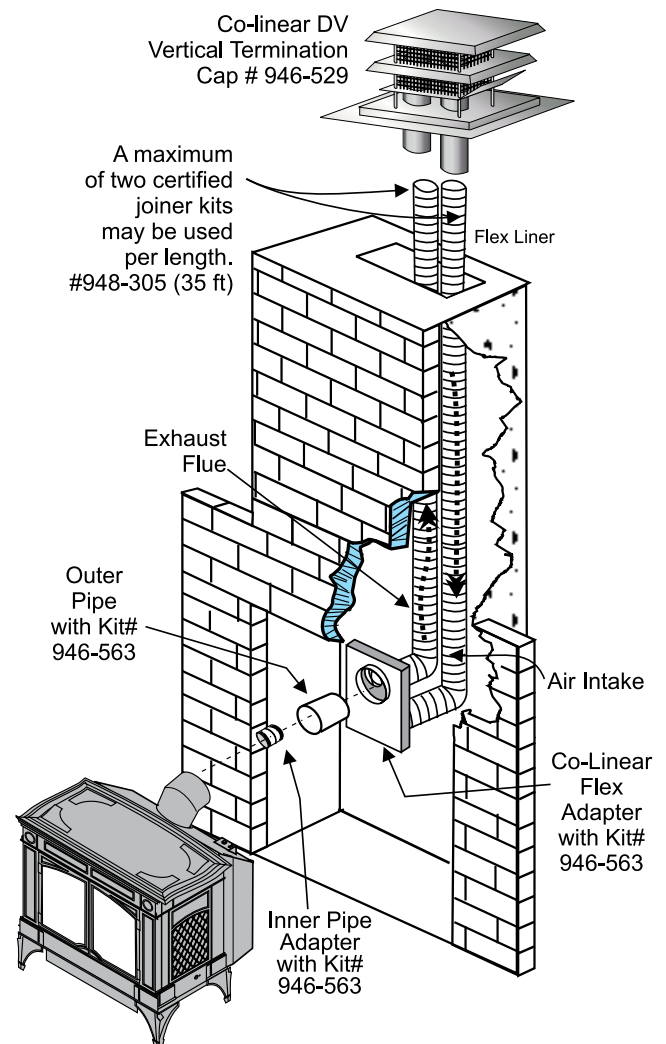
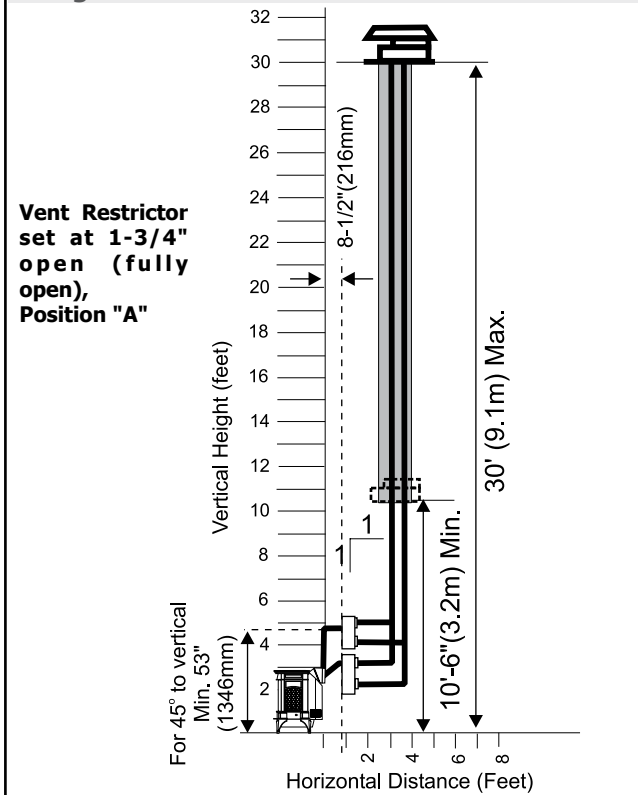
Part #	Description
946-529	Co-linear DV Vertical Termination Cap
948-305	3" Flex - 35 ft.
946-563	Co-Axial to Co-Linear Adaptor Kit which contains the following: Co-linear Flex Adaptor (270-585) Outer Pipe (946-257) Inner Pipe Adaptor (946-219)

Alternate Approved Caps:

Part #	Description
46DVA-VC	Vertical Termination Cap
OR	
46DVA-VCH	High Wind Cap
+	
46DVA-GK	3" Co-linear Adaptor with Flashing

NOTE In areas of consistently high winds, we recommend using the Simpson Dura-Vent System (46DVA-GK adaptor and 46DVA-VCH high-wind cap). The Air Intake pipe must be attached to the inlet air collar of the termination cap.

Straight Vertical Terminations

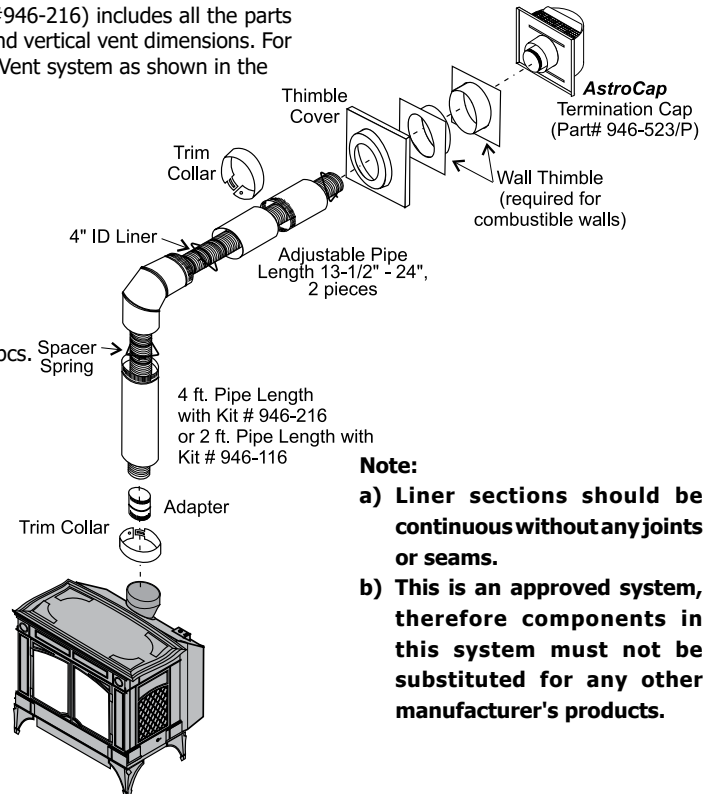


DV Stove Horizontal Termination Vent Kit

DV 2 ft. Stove Vent Kit (Part # 946-116) and DV 4 ft. Stove Vent Kit (Part #946-216) includes all the parts needed to install the H35U-NG/LP Direct Vent unit with minimum horizontal and vertical vent dimensions. For installations that require longer vertical and/or horizontal vents use the Dura-Vent system as shown in the "Dura-Vent Termination Kit" and "Dura-Vent Venting Components" sections.

Qty.	Description
1) 1	Rigid Pipe Section (Kit # 946-116: 2 ft. (1.2m) length, Kit # 946-216: 4 ft. (1.2m) length), 6-1/2" (165mm) inside diameter
2) 1	Flex Liner, compressed aluminium 2 ply liner, 4" (102mm) inside diameter
3) 4	Spring Spacers
4) 1	90 deg. Elbow
5) 1	Adjustable pipe section 13-1/2" to 24" (343mm x 610mm), 2 pcs.
6) 1	Thimble Cover
7) 1	Wall Thimble (2 pcs.)
8) 1	Adaptor
9) 1	AstroCap Termination Cap
10) 2	Trim Collars
11) 1	Tube of Mill-Pac, high temperature sealant
12) 12	Screws, #8 x 1/2" Self tapping, Stainless Steel
13) 14	Screws, #8 x 1/2" Self tapping, Black
14) 4	Screws #8 x 1-1/2" Drill Point, Black
15) 4	Screws #8 x 1-1/2" Drill Point, Stainless Steel
16) 8	Wood screws #8 x 1"

Required but not included in above Kit:
45° Elbow (Part #: 946-214)



Note:

- Liner sections should be continuous without any joints or seams.
- This is an approved system, therefore components in this system must not be substituted for any other manufacturer's products.

DV Stove Horizontal Vent Kit (#946-116 & #946-216) Installation

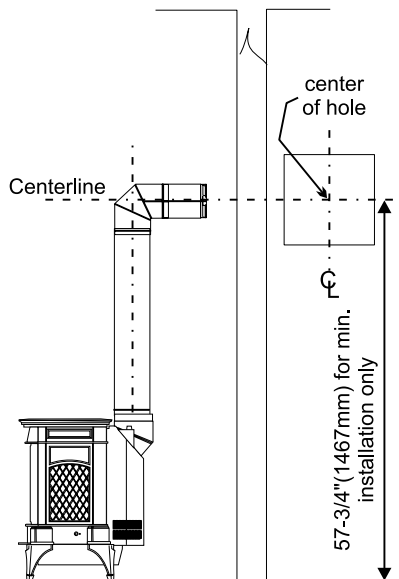
Review the following sequence of instructions which are typical of most installations. The sequence may vary depending on wall thickness. See "Exterior Vent Terminal Locations" to "Venting Arrangements" section for vent location and clearance dimensions, and the "Vent Restrictor Position" section to set the Vent Restrictor to the correct position.

- Set the unit in its desired location. Check to determine if wall studs will be in the way of the venting system, adjust location until all clearances are met and there are no obstructions.

Note: A 1-1/2" (38mm) clearance around the outer pipe must be maintained except that only a 1" (25mm) clearance is needed at the termination end.

IMPORTANT:

Do not locate termination hood where excessive snow or ice buildup may occur. Be sure to check vent termination area after snow falls, and clear to prevent accidental blockage of venting system. When using snow blowers, make sure snow is not directed towards vent termination area.



- Assemble a **trial fit** to determine the vertical center-line for the vent termination.

- Cut a 9-1/2" x 9-1/2" (241mm x 241 mm) square hole on both the interior and exterior wall.

- Install wall thimbles on both interior and exterior wall with 4 wood screws (#8 x 1") per thimble.
- Attach the 2 piece adjustable pipe section to the vent terminal and slide into position from the exterior. **The larger diameter end of the adjustable pipe goes to the vent terminal.**

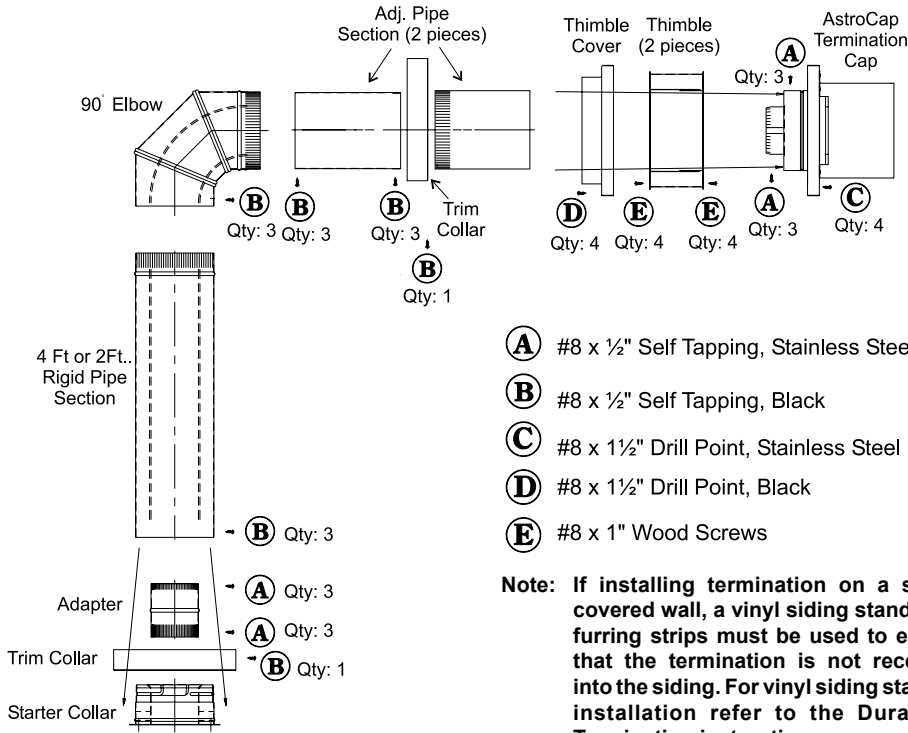
- Install the 90° elbow onto the adjustable pipe to determine the vertical centerline.

Note: if the centerline cannot be met, the adjustable sections will have to be cut.

- Cut the 4 ft. section of rigid pipe to length. Attach the 45° elbow to the rigid pipe, and ensure that the pipe length when cut (with the 45° elbow) will seat onto both the starter collar and the 90° elbow. **Crimped section of rigid pipe seats into the 90° elbow. Only cut the uncrimped side of pipe.**

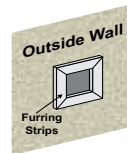
Dismantle all pipe sections including vent terminal.

installation



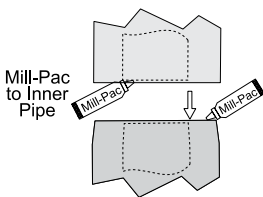
- A** #8 x 1/2" Self Tapping, Stainless Steel
- B** #8 x 1/2" Self Tapping, Black
- C** #8 x 1 1/2" Drill Point, Stainless Steel
- D** #8 x 1 1/2" Drill Point, Black
- E** #8 x 1" Wood Screws

Note: If installing termination on a siding covered wall, a vinyl siding standoff or furring strips must be used to ensure that the termination is not recessed into the siding. For vinyl siding standoff installation refer to the Dura-Vent Termination instructions.



- 3)** Attach the 4" dia. flex liner to the vent terminal ensuring that the flex overlaps the collar of the vent terminal by a minimum of 1-3/8" (35mm). Use Mill-Pac to seal and secure with 3 of the #8 x 1/2" screws (stainless steel).
- 4)** Attach the adjustable pipe section to the vent terminal using Mill-Pac and/or high temperature silicone and attach with 3 of the #8 x 1/2" screws (stainless steel).

NOTE: For best results and optimum performance with each approved venting system, it is highly recommended to apply "Mill-Pac" sealant (supplied) to every inner pipe connection. Failure to do so may result in drafting or performance issues not covered under warranty. Silicone (red RTV) is optional.



Note: The pipe seam should be facing down.

Note: To make the installation more aesthetically pleasing, we recommend framing out a square that the cap can be mounted on.

- 5)** Slide the partially connected pipe and vent terminal assembly through the wall thimbles (from the exterior into the interior) and secure the cap to the exterior wall with 4 of the supplied screws (#8 x 1-1/2" drill point, stainless steel). Note: pilot holes will need to be drilled through the wall thimble on all 4 corners.

Note: The four screws provided for the vent cap should be replaced with appropriate fasteners for stucco, brick, concrete, or other types of sidings.

- 6)** A bead of non-hardening mastic should be run around both the termination and vinyl siding standoff to prevent water from entering and to make a tight seal between the cap and the standoff.

- 7)** Stretch the 4" dia. flex liner out fully and get a trial fit of the liner onto the 4" dia. starter collar.

- 8)** Cut the 4" dia. flex liner to the desired size.

Hint: leave an extra 12" to 16" of length, this will make the final assembly easier to work with.

- 9)** Secure the 4" dia. flex liner to the 4" adaptor with Mill-Pac and 3 of the #8 x 1/2" screws (stainless steel).

- 10)** Slide the decorative Thimble Cover over the pipe sections and secure with 4 screws (#8 x 1-1/2" drill point, black) to the wall.

- 11)** Slide the 90° elbow (crimp end up), the 45° elbow and the 4 ft. pipe section (crimp end up) over the 4" dia. flex liner.

- 12)** Install the spring spacers onto the pipe sections.

- 13)** Secure the 4" dia. flex liner with adaptor onto the stove collar. Put a bead of Mill-Pac around the appliance adaptor and secure with 3 screws (#8 x 1/2, stainless steel).

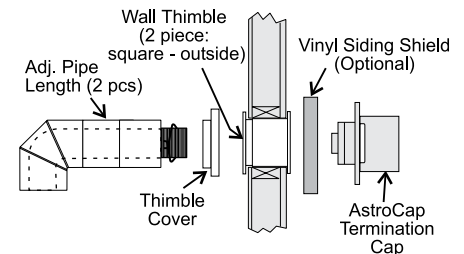
- 14)** Attach the 45° elbow onto the starter collar by sealing with Mill-Pac and/or high temperature silicone and securing with 3 of the #8 x 1/2" (black) screws.

- 15)** Attach the pipe section to the 45° elbow by sealing with Mill-Pac and/or high temperature silicone and securing with 3 of the #8 x 1/2" screws (black). Pipe seams should be facing the wall.

- 16)** Attach the 90° elbow onto the pipe section by sealing with Mill-Pac and/or high temperature silicone and securing with 3 of the #8 x 1/2" screws (black).

- 17)** Slide the adjustable pipe section onto the 90° elbow. Slide the trim collar over the adjustable pipe sections to cover the joint of the telescopic section.) The flex may have to be compressed back in order for the adjustable pipe to properly mate to the elbow. Seal with Mill-Pac and/or high temperature silicone and secure with 3 of the #8 x 1/2" screws (black). Pipe seams facing down.

- 18)** Install the trim collar over the starter collar and secure with a #8 x 1/2" screw (black).



If the pipe needs to be touched up, use only Stove Brite High Temperature Metallic Black Stove Paint.

Dura-Vent Termination Kit

Planning Your Dura-Vent Installation

There are two basic types of Dura-Vent Direct Vent System installations: horizontal termination and vertical termination. Confirm the maximum horizontal run and maximum vertical rise from the diagrams in the "Venting Arrangement" section.

When planning your installation, it will be necessary to select the proper length of vent pipe for your particular requirements. For horizontal installations, determine the minimum clearance from the rear of the unit to the wall. It is also important to note the important to note the wall thickness. (The

wall thimble is suitable for 2 x 4 or 2 x 6 wall construction.) Select the amount of vertical rise desired for "vertical-to-horizontal" type installations.

Warning: Always maintain required clearances (air spaces) to nearby combustibles to prevent a fire hazard. Do not fill air spaces with insulation.

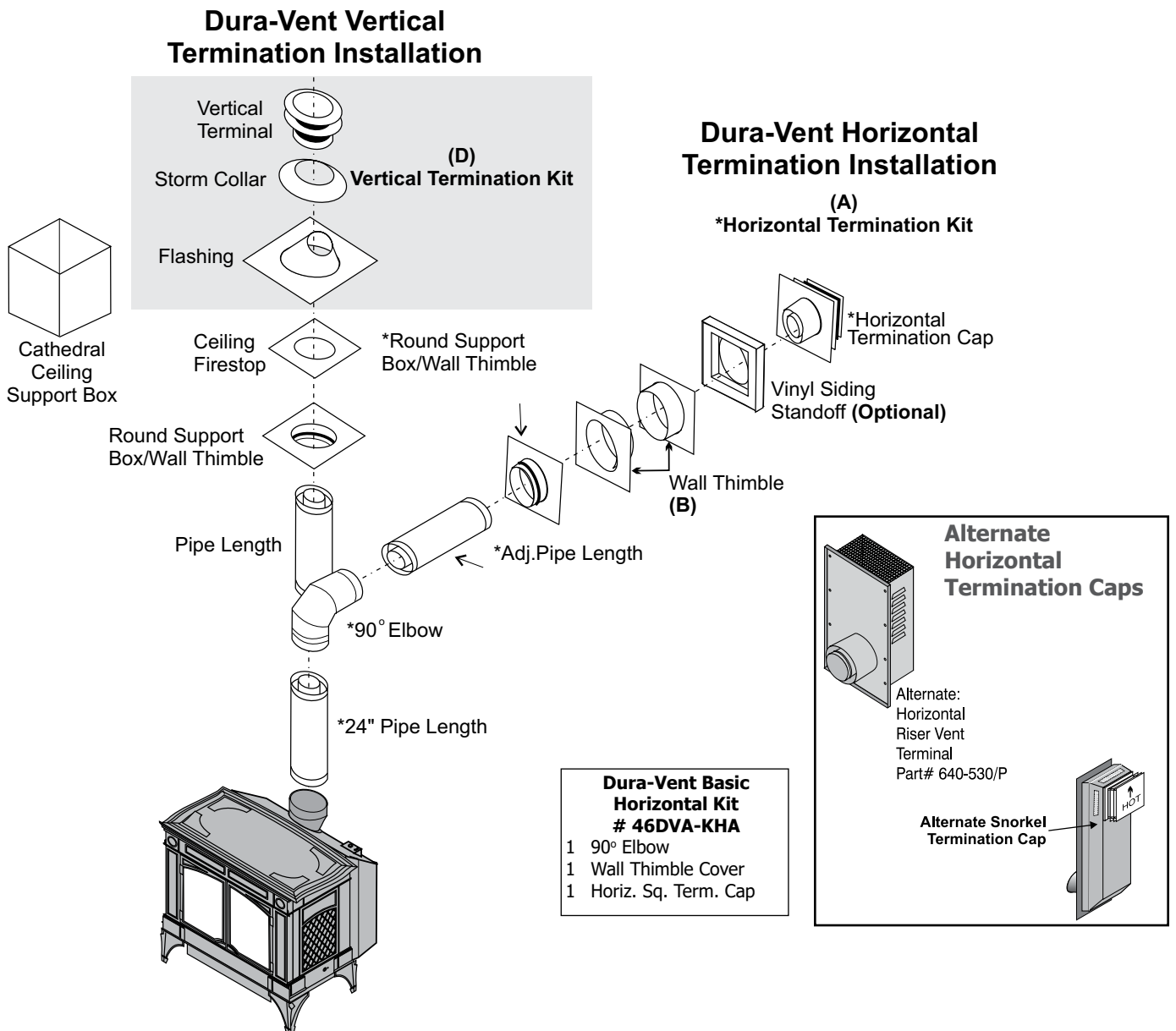
The minimum clearance requirements between the outer wall of the vent pipe and nearby combustible surfaces is 1-1/4 inch. Be sure to check the vent termination clearance requirements from decks,

windows, soffits, gas regulators, air supply inlets and public walkways as specified in the "Exterior Vent Terminal Locations" section and in your local building codes.

To determine the length of vent pipe required for vertical installations, measure the distance from the unit flue outlet to the ceiling, the ceiling thickness, the vertical rise in an attic or second storey, and allow for sufficient vertical height above the roof line.

For multi-storey applications, fire stops are required at each floor level. If an offset is needed, additional pipe, elbows and supports will be required.

Do not exceed the maximum number of elbows. One 90° for horizontal terminations and two 45° for vertical termination.



installation

Horizontal Installations - Rigid Vent System

- 1) Set the unit in its desired location. Check to determine if wall studs or roof rafters are in the way when the venting system is attached. If this is the case, you may want to adjust the location of the unit.
- 2) Direct Vent pipe and fittings are designed with special twist-lock connections to connect the venting system to the appliance flue outlet. A twist-lock appliance adaptor is installed on the unit at the factory. Assemble the desired combination of pipe and elbows to the appliance adaptor with pipe seams oriented towards the wall or ceiling, as much out of view as possible. The final positioning of the pipe and 90° elbow assembly is determined by the mounting orientation of the adaptor on the stove and twist-locked for a solid connection.

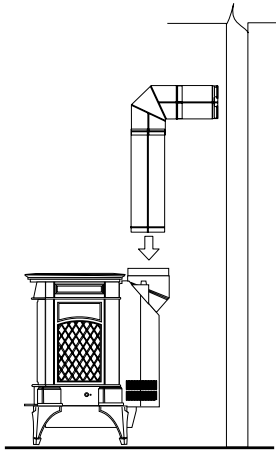
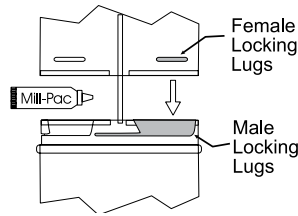


Diagram 1

Note:

- a) Twist-lock procedure: Four indentations, located on the female ends of pipes and fittings, are designed to slide straight onto the male ends of adjacent pipes and fittings, by orienting the four pipe indentations so they match and slide in to the four entry slots on the male ends (Diagram 1). Push the pipe sections completely together, then twist-lock one section clockwise approximately one-quarter turn, until the two sections are fully locked. The female locking lugs will not be visible from the outside on the Black Pipe or fittings. They may be located by examining the inside of the female ends.
- b) Horizontal runs of vent must be supported every three feet. Wall straps are available for this purpose.
- c) **Snorkel Terminations:**
For installations requiring a vertical rise on the exterior of the building, 14-inch and 36-inch tall Snorkel Terminations and the Riser Vent as shown in Diagrams 2 & 2a are available. Follow the same installation procedures as used for standard Horizontal Termination. NEVER install the snorkel upside down.

Diagram 1:
Hint: Apply silicone to female end.



NOTE: For best results and optimum performance with each approved venting system, it is highly recommended to apply "Mill-Pac" sealant (supplied) to every inner pipe connection. Failure to do so may result in drafting or performance issues not covered under warranty. Silicone (red RTV) is optional.

Below Grade Snorkel Installation

If the Snorkel Termination must be installed below grade, i.e. basement application, proper drainage must be provided to prevent water from entering the Snorkel Termination. Refer to Vent Manufacturer Installation instructions for details. Do not attempt to enclose the Snorkel within the wall, or any other type of enclosure.

- 3) With the pipe attached to the stove, slide the stove into its correct location, and mark the wall for a 10" x 10" (inside dimensions) square hole. The center of the square hole should line up with the center line of the horizontal pipe,

*As specified in CAN/CSA B149.1 Installation Code. Local codes or regulations may require different clearances.

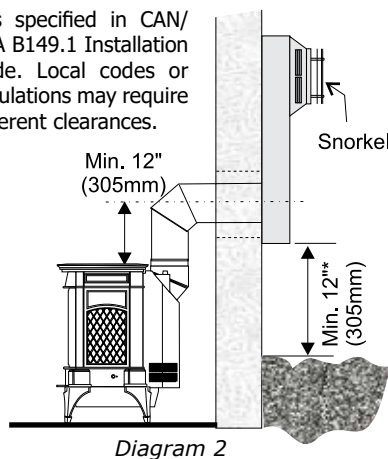


Diagram 2

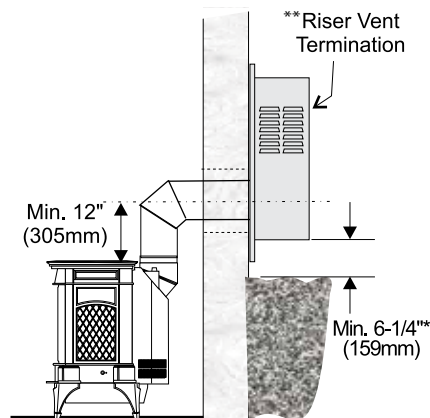


Diagram 2a

as shown in diagram 3. Cut and frame the 10 inch square hole in the exterior wall where the vent will be terminated. If the wall being penetrated is constructed of non-combustible material, i.e. masonry block or concrete, a 7" diameter hole is acceptable.

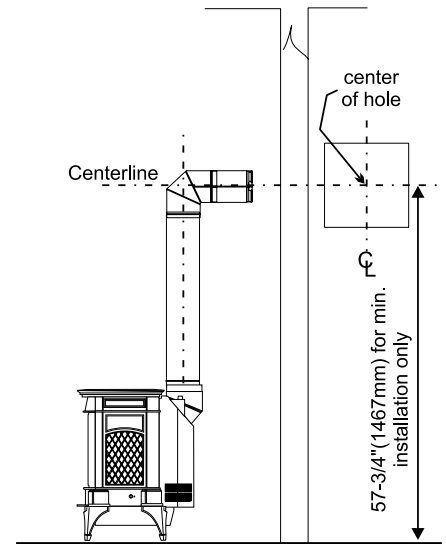


Diagram 3

Vertical Termination - Rigid Vent System

- 1) Maintain the 1-1/4" clearances (air spaces) to combustibles when passing through ceilings, walls, roofs, enclosures, attic rafter, or other nearby combustible surfaces. Do not pack air spaces with insulation. Check the "Exterior Vent Terminal Locations" section for the maximum vertical rise of the venting system and the maximum horizontal offset limitations.

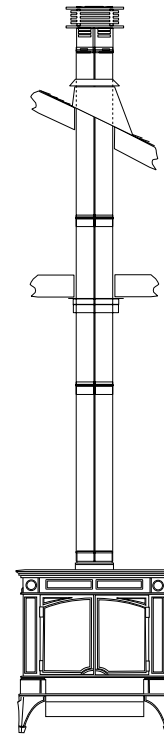


Diagram 7

- 2) Set the gas appliance in its desired location. Drop a plumb bob from the ceiling to the position of the appliance flue exit, and mark the location where the vent will penetrate the ceiling. Drill a small hole at this point. Next, drop a plumb bob from the roof to the hole previously drilled in the ceiling, and mark the spot where the vent will penetrate the roof. Determine if ceiling joists, roof rafters or other framing will obstruct the venting system. You may wish to relocate the appliance or to offset, as shown in Diagram 8 to avoid cutting load bearing members.
- 3) To install the Round Support Box/Wall Thimble in a flat ceiling, cut a 10 inch square hole in the ceiling centred on the hole drilled in Step 2. Frame the hole as shown in Diagram 9.

Note:

- a) The horizontal run of vent should have a 1/4 inch rise for every 1 foot of run towards the termination. Never allow the vent to run downward. This could cause high temperatures and may present the possibility of a fire.
 - b) The location of the horizontal vent termination on an exterior wall must meet all local and national building codes, and must not be blocked or obstructed. See diagram in the "Exterior Vent Terminal Locations" section.
- 4) If installing the vent termination to a wall with vinyl siding, the Vinyl Siding Standoff must be used. Attach the Vinyl Siding Standoff to the Horizontal Vent Termination, but first run a bead of non-hardening mastic around its outside edges, so as to make a seal between vent cap and the standoff. Install the Vinyl Siding Standoff between the vent cap and the exterior wall and attach with the four wood screws provided. Seal around the Vinyl Siding Standoff on all four sides. Diagram 6. **The arrow on the vent cap should be pointing up.** Insure that the 1-1/4" clearances to combustible materials are maintained. See diagram 4.

Note: If installing termination on a siding covered wall, a vinyl siding standoff or furring strips must be used to ensure that the termination is not recessed into the siding. The four wood screws provided should be replaced with appropriate fasteners for stucco, brick, concrete, or other types of sidings.

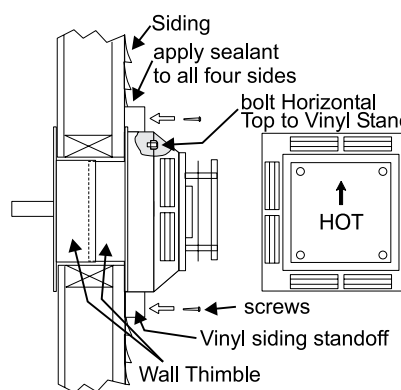


Diagram 4

- 5) Before connecting the horizontal run of vent pipe to the vent termination, slide the black decorative wall thimble cover over the vent pipe, then slide the Wall Thimble over the vent pipe.
- 6) Slide the appliance and vent assembly towards the wall carefully inserting the vent pipe into the vent cap assembly. It is important that the vent pipe extends into the vent cap a sufficient distance so as to result in a minimum pipe overlap of 1-1/4 inches. Secure the connection between the vent pipe and the vent cap by attaching the two sheet metal strips extending from the vent cap assembly into the outer wall of the vent pipe. Use the two sheet metal screws provided to connect the strips to the pipe. Bend any remaining portion of the sheet metal strip back towards the vent cap, so it will be concealed by the decorative wall thimble cover. See Diagram 5.

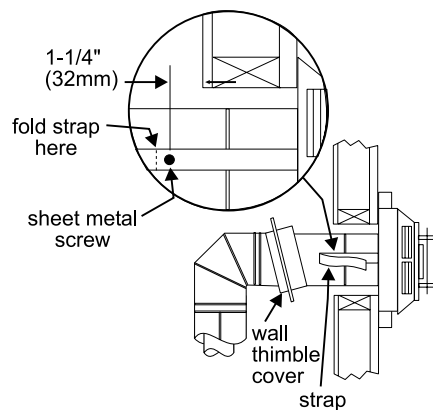


Diagram 5

- 7) Install wall thimble in the center of the 10" square and attach with wood screws.
- 8) Slide the decorative wall thimble up to the wall surface being careful not to scratch the paint and attach with screws provided. Apply decorative brass or chrome trim if desired. See Diagram 6.

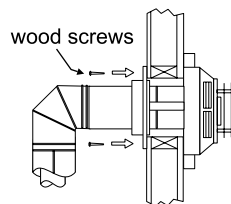


Diagram 6

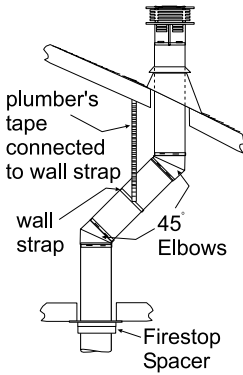


Diagram 8

- 4) Assemble the desired lengths of black pipe and elbows necessary to reach from the appliance adaptor up through the Round Support Box. Insure that all pipes and elbow connections are in the fully twist-locked position and sealed.

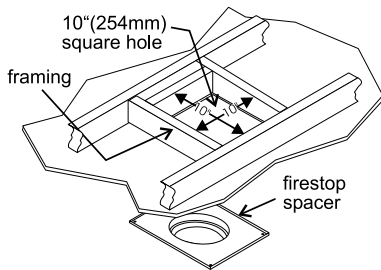
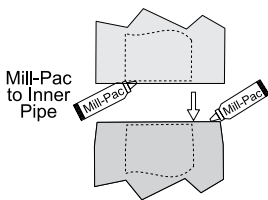


Diagram 9

- 5) Cut a hole in the roof centred on the small drilled hole placed in the roof in Step 2. The hole should be of sufficient size to meet the minimum requirements for clearance to combustibles of 1-1/4". Slip the flashing under the shingles (shingles should overlap half the flashing) as per Diagram 10.



NOTE: For best results and optimum performance with each approved venting system, it is highly recommended to apply "Mill-Pac" sealant (supplied) to every inner pipe connection. Failure to do so may result in drafting or performance issues not covered under warranty. Silicone (red RTV) is optional.

- 6) Continue to assemble pipe lengths.

Note: If an offset is necessary in the attic to avoid obstructions, it is important to support the vent pipe every 3 feet, to avoid excessive stress on the elbows, and possible separation. Wall straps are available for this purpose. See Diagram 5.

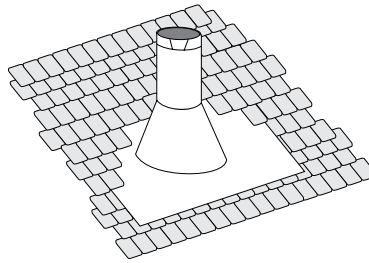


Diagram 10: The upper half of the flashing is installed under the roofing material and not nailed down until the chimney is installed. This allows for small adjustments.

Galvanized pipe and elbows may be utilized in the attic as well as above the roof line. The galvanized finish is desirable above the roof line due to its higher corrosion resistance.

Continue to add pipe sections through the flashing until the height of the vent cap meets the minimum height requirements specified in Diagram 11 or local codes. Note that for steep roof pitches, the vertical height must be increased. A poor draft, or down drafting can result from high wind conditions near big trees or adjoining roof lines, in these cases, increasing the vent height may solve the problem.

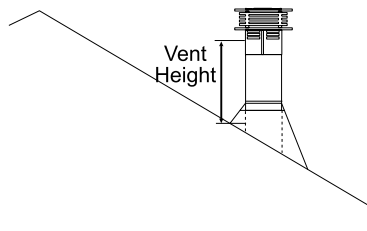


Diagram 11

Roof Pitch	Minimum Vent Height	
	Feet	Meters
flat to 7/12	2	0.61
over 7/12 to 8/12	2	0.61
over 8/12 to 9/12	2	0.61
over 9/12 to 10/12	2.5	0.76
over 10/12 to 11/12	3.25	0.99
over 11/12 to 12/12	4	1.22
over 12/12 to 14/12	5	1.52
over 14/12 to 16/12	6	1.83
over 16/12 to 18/12	7	2.13
over 18/12 to 20/12	7.5	2.29
over 20/12 to 21/12	8	2.44

- 7) Ensure vent is vertical and secure the base of the flashing to the roof with roofing nails, slide storm collar over the pipe section and seal with a mastic.
- 8) Install the vertical termination cap by twist locking it.

Notes:

- a) For multistorey vertical installations, a Ceiling Fire stop (Part # 46DVA-FS) is required at the second floor, and any subsequent floor. Diagram 12. The opening should be framed to 10" x 10" inside dimensions, in the same manner as shown in Diagram 9.
- b) Any occupied areas above the first floor, including closets and storage spaces, through which the vertical vent passes, must be enclosed.

Cathedral Ceilings

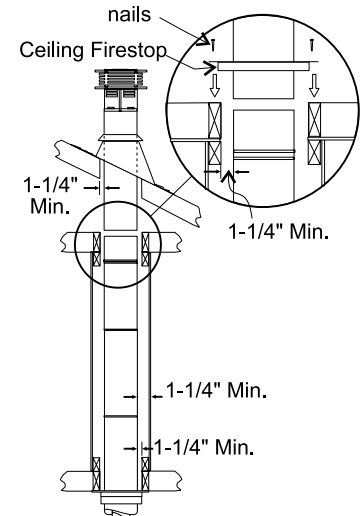
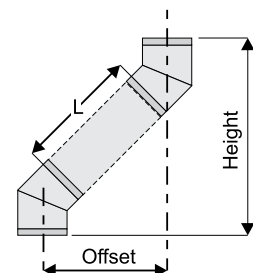


Diagram 12

Offset Chart

GS 6" (152mm) Nominal Diameter ID					
Offset	Pipe Length (L)		Height		
inches	mm	inches	mm	inches	mm
4 3/4	121	0	0	13 1/4	337
9	229	6	152	17 1/2	445
11 1/4	286	9	229	19 1/2	495
13 1/4	337	12	305	21 3/4	552
21 3/4	552	24	610	30 1/4	768
30 1/4	768	36	914	39	991
38	965	48	1219	47	1194



Converting Class-A Metal Chimney to Direct Vent System

Approved for US Installations Only.
The use of an existing chimney as an air intake is not covered under the ANSI Z21.88a-10007, CSA 2.33a-10007 test methods and the resulting ITS/WHI product certification. The code Authority Having Jurisdiction must be consulted prior to proceeding with this installation method.

Prior to installation and connection of the vent system to a Class A chimney, the chimney must be inspected and thoroughly cleaned by a qualified service person, such as a certified chimney sweep or home inspection service.

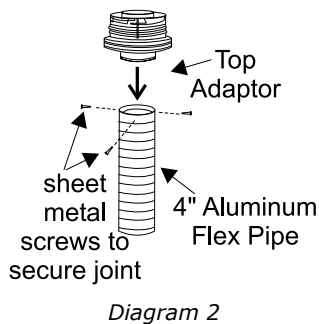
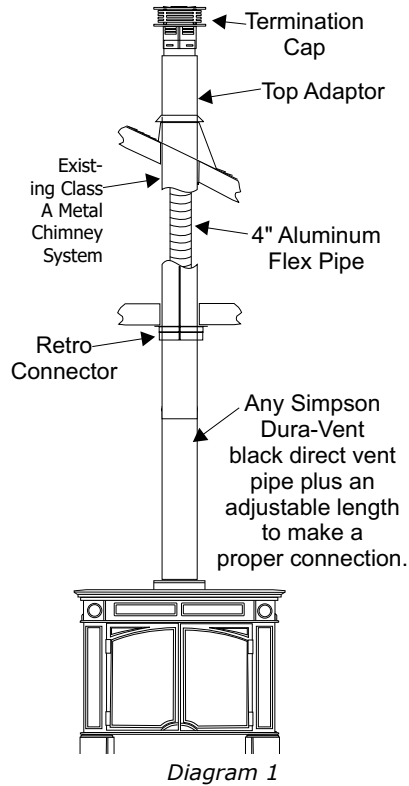
The direct vent system must not be connected to a damaged Class A chimney.

For Class A chimneys cleanout doors and caps or plugs for cleanout tee fittings and ash dumps shall be secured in place and sealed before installing a Direct Vent system within the chimney.

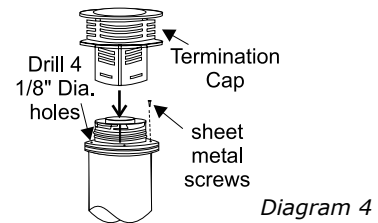
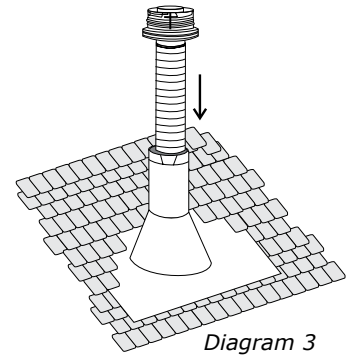
If the appliance shuts off during operation, contact a qualified service person to determine if a negative pressure and/or leaky chimney condition exists. Do not operate the appliance until the problem is corrected.

Important : If converting this appliance to a Class A Metal Chimney, the IPI/CPI switch on the hand held remote control/transmitter must be turned to CPI (Continuous Pilot Ignition) at all times. This will avoid nuisance pilot outages during operation of this appliance. See Remote manual for setup of this IPI/CPI switch.

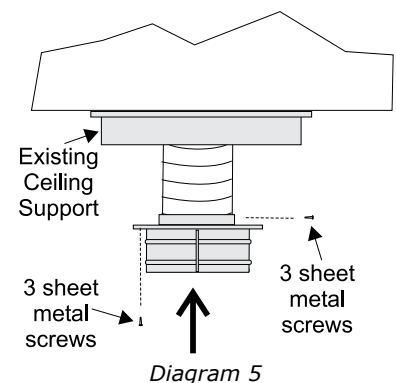
- 1) Remove the existing chimney cap.
- 2) Measure the distance from the top end of the chimney to the bottom of the ceiling support box, add 3" (76mm) to this measurement, and cut a section of the 4" (102mm) flex pipe to that length (the flex should already be extended to its nominal length).
- 3) Connect the end of the flex pipe section to the underside of the Top Adaptor using 3 sheet metal screws (refer to Diagram 2).



- 4) Pass the flex pipe down through the center of the chimney system, and center the adaptor on the top of the chimney pipe. Drill four 1/8" diameter holes through the adaptor and into the chimney top. Insure that you are in fact, drilling into the metal on the chimney. Twist-lock the Termination Cap onto the Adaptor (refer to Diagrams 3 and 4).



- 5) Pull the flex pipe down through the ceiling support box, until it protrudes approximately 3" (76mm). Connect the flex pipe to the Retro Connector by slipping it into the 4-3/4" (121mm) diameter sleeve on the top side of the Connector. Use 3 sheet metal screws to assemble these two parts.
- 6) Push the flex pipe back up into the ceiling support box, center the Retro Connector, and attach it to the support box, or decorative sleeve for double wall solid packed pipe, with the sheet metal screws (supplied). The holes in the Retro Connector are pre-punched (refer to Diagram 5).



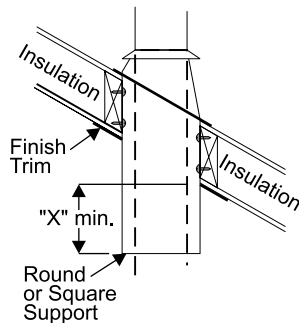
- 7) The connection between the appliance and the Retro Connector may be completed with sections of black direct vent pipe, together with an adjustable length.

installation

Round Support (RDS) & Square Support (SQS)

If your home has a cathedral ceiling (no attic space between the ceiling and the roof), install the chimney and support as follows.

- 1) Situate the chimney in a convenient location as near as possible to the appliance outlet. Cut and frame a hole in the roof for the support. The sides of this hole must be vertical with 1/4" (32mm) clearance.
- 2) Place the support in the opening. Lower it to the correct height as determined by the table and diagram below.



Slope	"X"
0/12 - 2/12	4"
2/12 - 7/12	5-1/2"
7/12 - 12/12	6-3/4"
12/12 - 24/12	7-1/2"
24/12+	12-1/2"

Using a level, make sure the support is vertical. If the support extends above the roof, cut it flush with the top of the roof. Nail the support to the frame opening using (8) 3" spiral nails or #8 x 1-1/2" screws.

Note: If you are using a 6" square support you may find it difficult to screw it in place because it is fairly small inside.

Simpson Dura-Vent has provided angle brackets with this support which can be screwed to the outside of the support box and nailed to surrounding framing as required. Use a minimum of four #8 x 1/2" screws per bracket. In some cases these brackets may need to be trimmed (e.g.: to fit under a flashing). Place the Finish Collar around the support and fasten it to the ceiling using the screws provided.

- 3) Use appropriate roof flashing. Place the flashing under the upper shingles and on top of the lower shingles approximately half of the flashing should be under the shingles.
- 4) Assemble the desired lengths of Black Pipe and Elbows necessary to reach from the appliance adaptor up through the support box and flashing to proper height as per Diagram 12, local codes or the "Exterior Vent Terminal

Locations" section. Ensure that all pipe and elbow connections are in their fully twist lock position.

- 5) Ensure vent is vertical and secure flashing to the roof with roofing nails. Slide the storm collar over the pipe section and seal with a mastic.
- 6) Twist lock the vent cap on to the last section.

Support Extensions - Round (RDSE) or Square (SQSE)

Steep pitched cathedral ceilings may require the use of a support extension. This piece fits down inside the support and can be adjusted to increase the support's length by up to 22" (559mm). The extension is attached to the support using the eight metal screws provided. Be sure there is at least a 2" (51mm) overlap where the extension joins the support.

Gas Connection

The gas connection is a 3/8" NPT 90° elbow. The gas line can be rigid pipe or to make installation easier, use a listed flexible connector and/or copper tubing if allowed by local codes. Since some municipalities have additional local codes it is always best to consult with your local authorities and the CSA B149.1 installation codes.

For USA installations follow local codes and/or the current National Fuel Gas Code, ANSI Z223.1.

When using copper or flex connectors use only approved fittings. Always provide a union so that gas lines can be easily disconnected for burner and/or valve servicing. Flare nuts for copper lines and flex connectors are usually considered to meet this requirement.

IMPORTANT: ALWAYS CHECK FOR GAS LEAKS WITH A SOAP AND WATER SOLUTION OR GAS LEAK DETECTOR. DO NOT USE OPEN FLAME FOR LEAK TESTING.

Note: Prior to any pressure testing of the gas supply piping system that exceeds test pressures of 1/2 psig, this appliance must be disconnected from the piping system. If test pressures equal to or less than 1/2 psig are used then this appliance must be isolated from the piping system by closing its individual manual shut-off valve during the testing.

SYSTEM DATA - H35U-NG For 0 to 4500 feet altitude	
Natural Gas Max. Input Rating Min. Input Rating Orifice Size	30,000 Btu/h 21,500 Btu/h #37 DMS
Propane Max. Input Rating Min. Input Rating Orifice Size	29,500 Btu/h 24,000 Btu/h #52 DMS
Supply Pressure Natural Gas Propane	min. 5.0" w.c. min. 11" w.c.
Manifold Pressure Natural Gas Propane	3.5" +/- 0.2" w.c. 10" +/- 0.2" w.c.

Gas Pipe Pressure Testing

The appliance must be isolated from the gas supply piping system by closing its individual manual shut-off valve during any pressure testing of the gas supply piping system at test pressures equal to or less than 1/2 psig. (3.45 kPa). Disconnect piping from valve at pressures over 1/2 psig.

The manifold pressure is controlled by a regulator built into the gas control, and should be checked at the pressure test point.

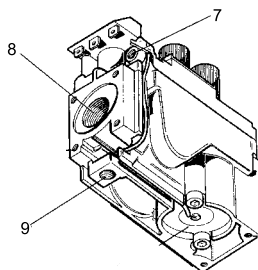
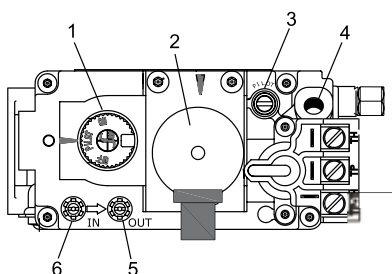
Note: To properly check gas pressure, both inlet and manifold pressures should be checked using the valve pressure ports on the valve.

- 1) Make sure the valve is in the "OFF" position.
- 2) Loosen the "IN" and/or "OUT" pressure tap(s), turning counterclockwise with a 1/8" wide flat screwdriver.
- 3) Attach manometer to "IN" and/or "OUT" pressure tap(s) using a 5/16" ID hose.
- 4) Light the pilot and turn the valve to "ON" position. Read manometer.
- 5) The pressure check should be carried out with the unit burning and the setting should be within the limits specified on the safety label.

- 6) When finished reading manometer, turn off the gas valve, disconnect the hose and tighten the screw (clockwise) with a 1/8" flat screwdriver.
Note: Screw should be snug, but not over tightened.

SIT Valve Description

- 1) Gas on/off knob
- 2) Manually Operated Hi/Lo
- 3) Pilot Adjustment
- 4) Thermocouple Connection - *option*
- 5) Outlet Pressure Tap
- 6) Inlet Pressure Tap
- 7) Pilot Outlet
- 8) Main Gas Outlet
- 9) Alternative TC Connection Point



installation

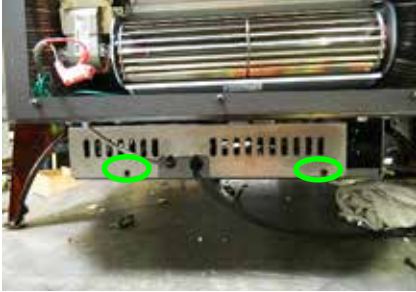
Aeration Adjustment

The air shutter can be adjusted by moving the adjusting wire up or down. The wire is accessed through the bottom. Open the air shutter for a blue flame or close for a yellow flame. The burner aeration is factory set but may need adjusting due to either the local gas supply or altitude.

Natural Gas **1/4" (6.4mm)**

Propane **3/8" (9.5mm)**

1. Loosen the 2 screws on the bottom cover and take out the one on the left side (when facing the back of the unit).



Location of the Aeration Adjustment wire



Pull adjustment wire up to close or down to open aeration.

Caution: Carbon will be produced if the air shutter is closed too much.

Note: Any damage due to carboning resulting from improperly setting the aeration controls is NOT covered under warranty.

Note: Aeration Adjustment should only be performed by an authorized FPI Installer at the time of installation or service.

Conversion Kit #744-969 from NG to LP

**THIS CONVERSION MUST BE DONE BY A QUALIFIED GAS FITTER
IF IN DOUBT DO NOT DO THIS CONVERSION !!**

Each Kit contains one LPG Conversion Kit

LPG Conversion Kit contains:

Qty.	Part #	Description
1	904-529	5/32" Allen Key
1	904-390	Burner Orifice #52
1	918-590	Label "Converted to LPG"
1	908-528	Red "LPG" label
1	910-037	LP Injector (Pilot Orifice)
1	920-448	Instruction Sheet

Installation of LPG Conversion Kit:

- 1) Shut off the gas supply.
- 2) Lift off the cast top and remove the glass front. Also, open up the control panel door.
- 3) Remove the logs, embers, and brick panels (if used).
- 4) Remove the 2 screws holding the Burner Assembly to the firebox base. Push the Burner Assembly to the left and lift out.



Remove the 2 screws, push Burner Assembly to the left and lift out.

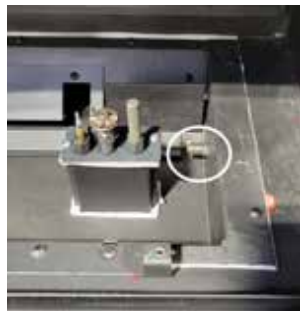
- 5) Pull off the pilot cap to expose the pilot orifice.



- 6) Unscrew the pilot orifice with the Allen key and replace with the LP pilot orifice in the kit and replace pilot cap.



- 7) Remove burner orifice with a 1/2" wrench and discard. Use another wrench to hold on to the elbow behind the orifice.



Burner Orifice

- 8) Reinstall new burner orifice LP stamped #52 and tighten.
- 9) Turn control knob to the "OFF" position.
- 10) Remove the Hi/Low extension knob by pulling it towards you. This will expose the black protection cap. Remove the black protection cap by hand from the high-low knob (Fig.1).

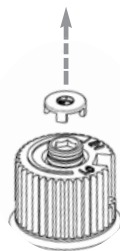


Fig. 1

- 11) Insert a 5/32" or 4mm Allen wrench into the hexagonal key-way of the screw (Fig. 2), rotate it counter-clockwise until it is free and extract it.

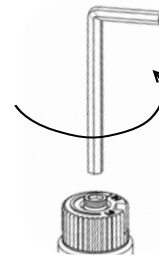


Fig. 2

- 12) Check that the screw is clean and if necessary remove dirt.

- 13) Flip the screw (Fig. 3).

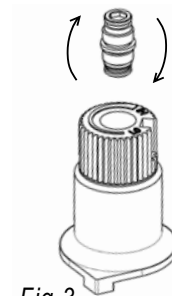


Fig. 3

- 14) Using the Allen wrench as shown in Fig.4, rotate the screw clockwise until snug, do not overtighten.

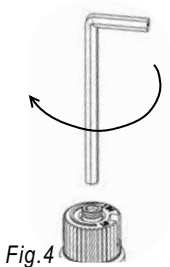


Fig.4

- 17) Reverse steps 4) to 2).
- 18) Attach clear label "This unit has been converted to LPG" near or on top of the serial # decal.
- 19) Replace yellow "Natural Gas" label with red "LPG" label.

WARNING!

**Do not overtighten the screw.
Recommended to
grip the wrench by the short side.**

- 15) Verify that if the conversion is from NG to LPG, the screw must be reassembled with the red o-ring visible (Fig. 5).

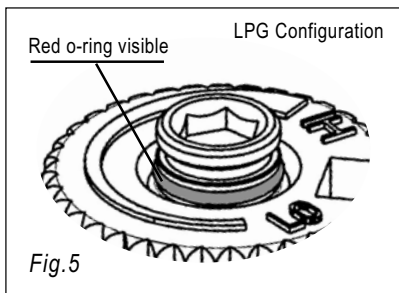


Fig.5

- 16) Reassemble the black protection cap (Fig. 6).

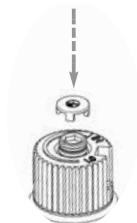


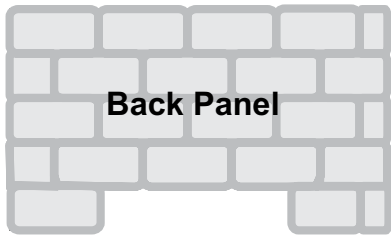
Fig.6

WARNING!

**Also check that the pilot and main
burner injectors are appropriate for
the gas type.**

Optional Brick Panel

- 1) Remove the cast top and glass front (see Glass Replacement section in this manual for instructions).
- 2) Remove the log set if installed.
- 3) Insert the back brick panel first by carefully slipping it between the back wall of the firebox and the rear log bracket.



- 4) Before installing the side brick panels, loosen the screws for the brick tabs enough so that you can slide the brick tabs on to the screws easily but that the tabs are secure. For the location of the side brick tab screws see Diagram 1.

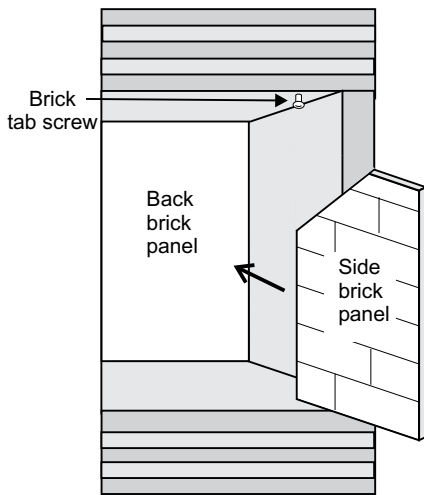
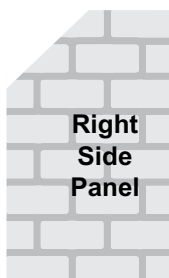
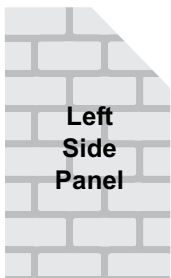


Diagram 1

- 5) Put the side panels in next. Slide them in from the front and push them flat up against the wall. Be very careful not to scratch them on the firebox hardware.



- 6) Install the brick tabs (refer to Diagram 2).

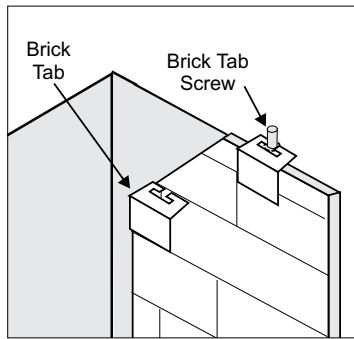


Diagram 2

IMPORTANT

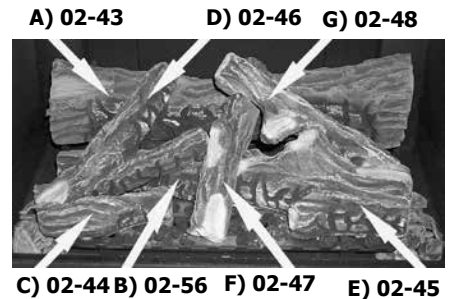
YOUR BRICK PANELS ARE
MANUFACTURED FROM A SPECIAL HEAT
REFLECTIVE CERAMIC MATERIAL
HANDLE WITH CARE
(DO NOT FORCE INTO POSITION)

Log Set Installation

Read the instructions below carefully and refer to the diagrams. If logs are broken do not use the unit until they are replaced. Broken logs can interfere with the pilot operation.

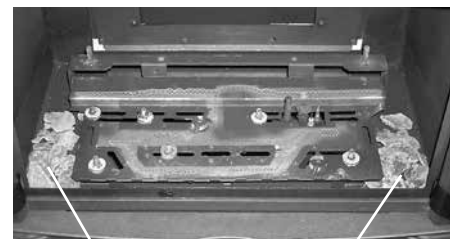
The gas log kit contains the following:

- a) 02-43 Rear Log
- b) 02-56 Middle Left Log
- c) 02-44 Front Left Log
- d) 02-46 Left Top Log
- e) 02-45 Front Right Log
- f) 02-47 Center Log
- g) 02-48 Middle Right Log
- h) Embers
- i) Lava
- j) Platinum Embers (supplied with packaged manual)



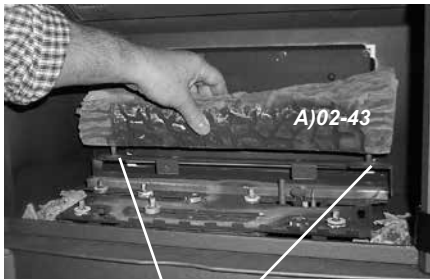
The "02" refer numbers (i.e. 02-43) are molded into the rear of each log.

- 1) Carefully remove the logs from the box and unwrap them. The logs are fragile, handle with care - **do not force into position.**
- 2) Lift off the Cast Top and remove the glass front (refer to the "Glass Replacement" section in this manual).
- 3) Sprinkle the embers on the left and right sides of the firebox base.



installation

- 4)** Place Rear Log A)02-43 on the two pins on the rear log support.

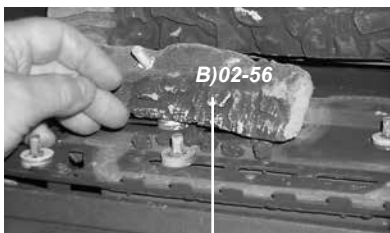


Pins on Rear Log Support

- 5)** Place the Middle Left Log B)02-56 on the two pins as shown.



- 6)** Sprinkle some lava rock just in front of B)02-56 on the burner holes.

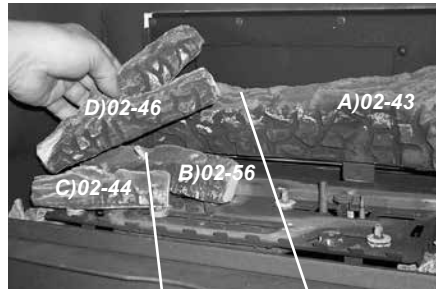


lava rock

- 7)** Place Front Left Log C)02-44 onto the 2 front pins as shown.



- 8)** Place the Left Top Log D)02-46 on the pin on Log B)02-56 and on top of the cutout on Log A)02-43.



Pin

Cutout

- 9)** Place Front Right Log E)02-45 on the two pins as shown.



- 10)** Place the lava rock in the area between the left and right logs, leaving a space in the middle for log (F) 02-47.

Separate platinum embers and place on and around the lava rock. Avoid stacking platinum embers.



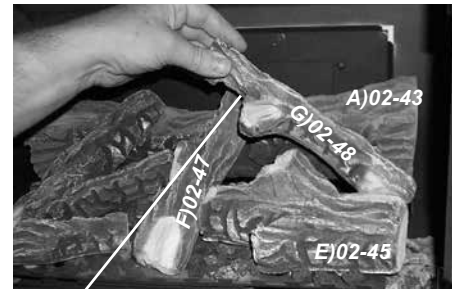
- 11)** Place the notch in Center Log F)02-47 over Log E)02-45 and across the cutout on Log A)02-43.



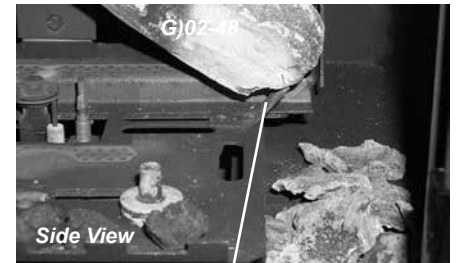
Notch

Cutout

- 12)** Position notch in Front Right Log G)02-48 on Log F)02-47 and push the bottom right edge against the bracket on the burner tray.



Notch



Bracket

The bottom right edge of Log G)02-48 must sit snugly against the bracket. (Front Log 02-45 has been removed so that the bracket can be seen.)

- 13)** Test fire to ensure proper light off (make sure flame flows smoothly from one end of burner to the other. If there is any flame hesitation, check that area for any blockage of the burner port.



Double Door Removal

- 1)** Remove the right door by unfastening the 2 right hinges (2 screws per hinge). Repeat for the left door.



Wiring Diagrams

If any of the original wires as supplied with the appliance must be replaced, it must be replaced with CSA type SEW (200°C) or its equivalent.

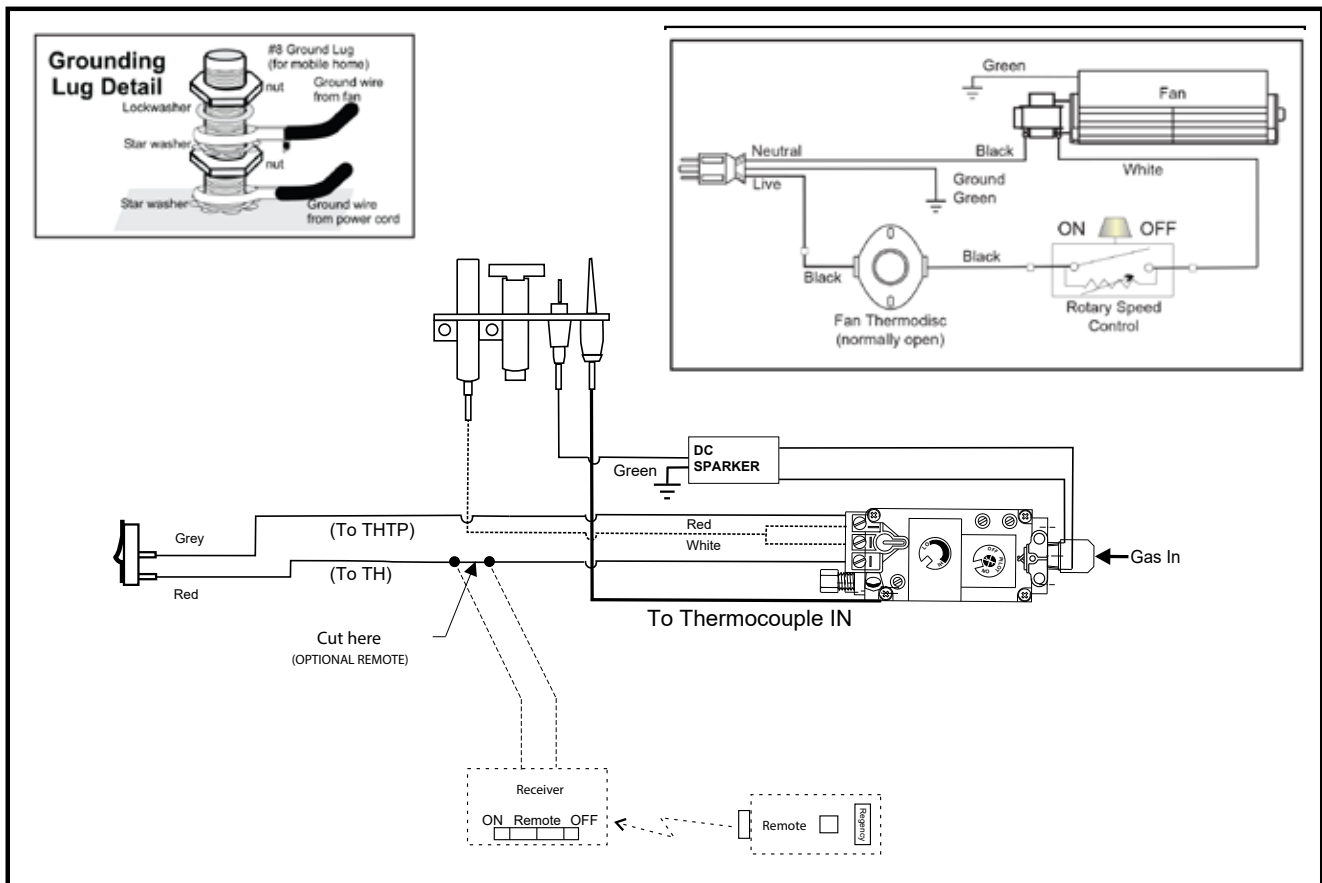
This heater does not require a 120V A.C. supply for operation. In case of a power failure, the burner switch and the optional remote control/thermostat will continue to operate. However, a 120V A.C. power supply is needed for the fan/blower operation.

Caution: Ensure that the wires do not touch any hot surfaces and are away from sharp edges.

CAUTION: Label all wires prior to disconnection when servicing controls. Wiring errors can cause improper and dangerous operation.

WARNING: Electrical Grounding Instructions

This appliance is equipped with a three pronged (grounding) plug for your protection against shock hazard and should be plugged directly into a properly grounded three-prong receptacle. Do not cut or remove the grounding prong from this plug.



installation

Optional Wall Thermostat/ Remote Control

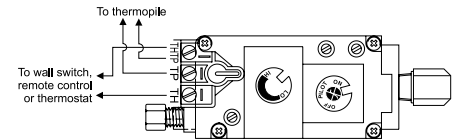
Part #910-407 Basic Wall Thermostat
Part #910-404/P Programmable Wall Thermostat
Part #910-399 Remote Control

A wall thermostat or remote control may be installed if desired. Connect the wires as per the wiring diagrams. Note that the wires are connected to the "TH" on the gas valve. Use table below to determine the maximum wire length:

Note: Preferable if the thermostat is installed on an interior wall.

Hampton® offers an optional programmable thermostat but any 250-750 millivolt rated non-anticipator type thermostat that is CSA, ULC or UL approved may be used.

CAUTION
Do not connect the millivolt wall thermostat wires to the 120V wires.



Thermostat Wire Table

Recommended Maximum Lead Length (Two-Wire) When Using Wall Thermostat (CP-2 System)	
Wire Size	Max. Length
14 GA.	50 Ft.
16 GA.	32 Ft.
18 GA.	20 Ft.
20 GA.	12 Ft.
22 GA.	9 Ft.

Final Check

Before leaving this unit with the customer, the installer must ensure that the appliance is firing correctly. This includes:

- 1) Locking the appliance to ensure the correct firing rate (rate noted on label) at 15 minutes.
- 2) If required, adjusting the primary air to ensure that the flame does not carbon. First allow the unit to burn for 15 min. to stabilize.
- 3) Check for proper draft.

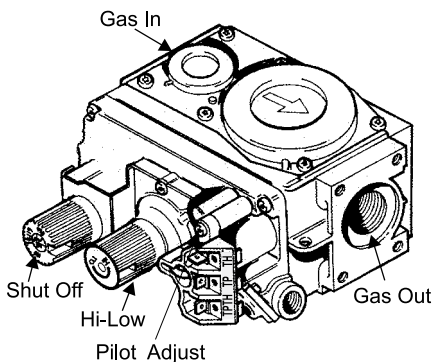
CAUTION

Any alteration to the product that causes sooting or carboning that results in damage to the exterior facia is not the responsibility of the manufacturer.

Operating Instructions

- 1) Read and understand these instructions before operating this appliance.
- 2) Check to see that all wiring is correct and enclosed to prevent possible shock.
- 3) Check to ensure there are no gas leaks.
- 4) Make sure the glass in the door frame is properly positioned. Never operate the appliance with the glass removed. Never strike the glass or slam the door shut.
- 5) Verify that the venting and cap are unobstructed.
- 6) Verify log placement. If the pilot cannot be seen when lighting the unit, the logs are incorrectly positioned.
- 7) The unit should never be turned off, and on again without a minimum of a 60 second wait.

Lighting Procedure



IMPORTANT
To ignite or reignite the pilot,
the door to the firebox must
be opened.

Only when the pilot holds without pressure to the control knob should the door to the firebox be closed. The unit *must never* be operated with the glass or door open.

NOTE: For all propane units and units equipped with electric spark boxes, see "Copy of Lighting Plate Instructions" section for more details.

IMPORTANT: Gas on/off knob cannot be turned from "PILOT" to "OFF" unless it is partially depressed.

- 1) Turn stove OFF using the Burner "ON/OFF" switch remote or thermostat.
- 2) Turn gas control knob so indicator points to "OFF" position and allow 5 minutes for any gas in the combustion chamber to escape.
- 3) Turn gas control knob counterclockwise so indicator points to the "PILOT" position. Depress the gas control knob fully until the pilot lights. After approximately one minute, release the gas control knob. The pilot flame should continue to burn. If the pilot does not remain lit, repeat operation allowing a longer period before releasing gas control knob.
- 4) When the pilot stays lit, turn the gas knob further counterclockwise to the "ON" position.
- 5) Use the ON/OFF switch, thermostat or remote control to turn on the unit.
- 6) Rotate the flame height regulator to adjust the flame height higher or lower.

Shutdown Procedure

- 1) Turn the main gas control clockwise to the "OFF" position to turn off the pilot (push knob in slightly).
- 2) Turn off all electric power to appliance if service is to be performed.

First Fire

The **FIRST FIRE** in your stove is part of the paint curing process. To ensure that the paint is properly cured, it is recommended that you burn your fireplace for at least four (4) hours the first time you use it with the fan on. When first operated, the unit will release an odour caused by the curing of the paint and the burning off of any oils remaining from manufacturing. Smoke detectors in the house may go off at this time. Open a few windows to ventilate the room for a couple of hours. The glass may require cleaning.

DO NOT ATTEMPT TO CLEAN THE GLASS WHILE IT IS STILL *HOT*!

Note: When the glass is cold and the appliance is lit, it may cause condensation and fog the glass. This condensation is normal and will disappear in a few minutes as the glass heats up.

DO NOT BURN THE APPLIANCE WITHOUT THE GLASS FRONT IN PLACE.

During the first few fires, a white film may develop on the glass front as part of the curing process. The glass should be cleaned or the film will bake on and become very difficult to remove. Use a non-abrasive cleaner and NEVER clean the glass while it is hot.

Copy of the Lighting Plate Instructions

FOR YOUR SAFETY READ BEFORE LIGHTING
POUR VOTRE SÉCURITÉ – À LIRE AVANT LA MISE EN MARCHÉ

This appliance must be installed in accordance with local codes, if any; if none, follow the National Fuel Gas Code, ANSI Z223.1/NFPA 54, or Natural Gas and Propane Installation Codes, CSA B149.1.
 Cet appareil doit être installé conformément aux codes locaux, s'il y a lieu. En l'absence de tels codes, suivre le National Fuel Gas Code, ANSI Z223.1/NFPA 54, ou les Natural Gas and Propane Installation Codes, CSA B149.1.

WARNING: If you do not follow these instructions exactly, a fire or explosion may result causing property damage, personal injury or loss of life. Improper installation, adjustment, alteration, service or maintenance can cause injury or property damage. Refer to the owner's information manual provided with this appliance. For assistance or additional information consult a qualified installer, service agency or gas supplier.
AVERTISSEMENT: Quiconque ne respecte pas à la lettre les instructions dans la présente notice risque de déclencher un incendie ou une explosion entraînant des dommages, des blessures ou la mort. Une installation, d'ajustement, de modification, de service ou d'entretien peut provoquer des blessures ou des dommages matériels. Reportez-vous au manuel du propriétaire de l'information fournie avec cet appareil. Pour obtenir de l'aide ou des informations supplémentaires consulter un installateur qualifié, une agence de service ou fournisseur de gaz.

A) This appliance has a pilot that must be lighted by hand. When lighting the pilot, follow these instructions exactly.
B) BEFORE LIGHTING smell all around the appliance area for gas. Be sure to smell next to the floor because some gas is heavier than air and will settle on the floor.
WHAT TO DO IF YOU SMELL GAS
 - Do not try to light any appliance.
 - Do not touch any electric switch, do not use any phone in your building.
 - Leave the building immediately.
 - Immediately call your gas supplier from a neighbour's phone. Follow the gas supplier's instructions.
 - If you cannot reach your gas supplier, call the fire department.
C) Use only your hand to push in or turn the gas control knob. Never use tools. If the knob will not push in or turn by hand, do not try to repair it; call a qualified service technician. Force or attempted repair may result in a fire or explosion.
D) Do not use this appliance if any part has been under water. Immediately call a qualified service technician to inspect the appliance and replace any part of the control system and any gas control which has been underwater.
A) Cet appareil est muni d'une veilleuse qui doit être allumée manuellement. Respectez les instructions ci-dessous à la lettre.
B) AVANT LA MISE EN MARCHÉ, reniflez tout autour de l'appareil pour déceler une odeur de gaz. Reniflez au niveau du plancher, car certains gaz sont plus lourds que l'air et peuvent s'accumuler au niveau du sol.
QUE FAIRE SI VOUS SENTEZ UNE ODEUR DE GAZ :
 - Ne tentez pas d'allumer l'appareil.
 - Ne touchez à aucun interrupteur; n'utilisez pas de téléphones se trouvant dans le bâtiment.
 - Sortez du bâtiment immédiatement.
 - Appelez immédiatement votre fournisseur de gaz depuis un téléphone extérieur. Suivez les instructions du fournisseur.
 - Si vous ne pouvez pas rejoindre le fournisseur, appelez le service incendie.
C) Ne pousser ou tourner la manette d'admission du gaz qu'à la main. Ne jamais employer d'outil à cette fin. Si la manette reste coincée, ne tentez pas de la réparer, appelez un technicien qualifié. Quiconque tente de forcer la manette ou de la réparer peut provoquer une explosion ou un incendie.
D) N'utilisez pas cet appareil s'il a été plongé dans l'eau, même partiellement. Faites inspecter l'appareil par un technicien qualifié et remplacez tout élément du système de contrôle ou de commande qui a été plongé dans l'eau.

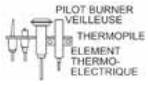
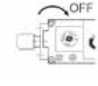
CAUTION: Hot while in operation. Do not touch. Severe burns may result. Due to high surface temperatures keep children, clothing and furniture, gasoline and other liquids having flammable vapors away. Keep burner and control compartment clean. See installation and operating instructions accompanying appliance.

ATTENTION : Surfaces chaudes lorsque l'appareil est en marche. Ne pas toucher. Risque de brûlures graves. En raison des températures élevées, les enfants, les vêtements et le mobilier, le carburant et tout autre liquide aux vapeurs inflammables doivent être tenus éloignés de l'appareil. Nettoyer régulièrement le brûleur et le compartiment des commandes. Voir les consignes d'installation et d'utilisation fournies avec l'appareil.


LIGHTING INSTRUCTIONS / CONSIGNES D'ALLUMAGE

STOP! Read the safety information above on this label.

- 1) Push in gas control knob slightly and turn clockwise to "OFF". Knob cannot be turned from "PILOT" to "OFF" unless knob is pushed in slightly. Do not force.

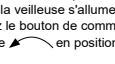



- 2) Wait five (5) minutes to clear out any gas. If you then smell gas STOP! Follow step "B" in the Safety Information above on this label. If you don't smell gas, go to the next step.
- 3) Push in gas control knob slightly and turn counterclockwise to "PILOT" position.
- 4) Push in control knob all the way and hold in until the pilot lights. Continue to hold the control knob in for about 20 seconds after the pilot lights. Release the knob.
- 5) Push in gas control knob slightly and turn counterclockwise to "ON" position
- 6) Turn on the flame switch.



ARRÊTEZ ! Lisez les instructions de sécurité sur la portion supérieure de cette étiquette.

- 1) Enfoncez légèrement le bouton de commande de gaz et tournez dans le sens horaire en position OFF. Le bouton ne peut pas être tourné du PILOT à OFF à moins que le bouton soit enfoncé légèrement. Ne forcez pas.
- 2) Attendez cinq (5) minutes pour laisser échapper tout le gaz. Si vous sentez une odeur de gaz, ARRÊTEZ! Passez à l'étape "B" des instructions de sécurité sur la portion supérieure de cette étiquette. S'il n'y a pas d'odeur de gaz, passez à l'étape suivante.
- 3) Enfoncez légèrement le bouton de commande de gaz et tournez dans le sens antihoraire en position PILOT.
- 4) Poussez le bouton de commande de gaz à fond et maintenez-le enfoncé jusqu'à ce que la veilleuse s'allume. Maintenez le bouton de commande de gaz enfoncé pendant environ 20 secondes après l'allumage de la veilleuse. Relâchez le bouton de commande de gaz.
- 5) Enfoncez légèrement le bouton de commande de gaz et tournez dans le sens antihoraire en position 'ON'.
- 6) Actionnez l'interrupteur de flamme.



TO TURN OFF GAS APPLIANCE / POUR ÉTEINDRE UN APPAREIL AU GAZ

- 1) Turn off the flame switch.
- 2) Push in the gas control knob slightly and turn clockwise to "OFF". Do not force.
- 3) Turn off all electric power to the appliance if service is to be performed.
You may shut off the pilot during prolonged non use periods to conserve fuel.
- 3) Fermez l'interrupteur de flamme.
- 2) Enfoncez légèrement le bouton de commande de gaz et tournez dans le sens horaire en position OFF. Ne forcez pas.
- 3) Avant d'effectuer des opérations d'entretien, coupez l'alimentation électrique de l'appareil.
Pour économiser le carburant, vous pouvez éteindre la veilleuse lorsque l'appareil reste longtemps inutilisé.

DO NOT REMOVE THIS INSTRUCTION PLATE

NE PAS ENLEVER CETTE ÉTIQUETTE D'INSTRUCTIONS

920-445

Adjusting Flame Height

Your heater has an adjustable flame to tailor the look and heat output to your specific needs. It is adjusted by turning the flame adjustment dial on the gas control valve.

Turn clockwise to adjust the flame higher, counterclockwise for a lower flame.



Automatic Convection Fan Operation

The fan operates automatically - turn the knob at the top right rear corner to adjust to the desired speed. The fan will turn on as the stove comes up to operating temperature. After the unit has been turned off and the unit cooled to below a useful heat output range the fan will shut off automatically.

Normal Operating Sounds of Gas Appliances

It is possible that you will hear some sounds from your gas appliance. This is perfectly normal due to the fact that there are various gauges and types of steel used within your appliance. Listed below are some examples. All are **normal operating sounds** and should not be considered as defects in your appliance.

Blower:

Hampton® gas appliances use high tech blowers to push heated air farther into the room. It is not unusual for the fan to make a "whirring" sound when ON. This sound will increase or decrease in volume depending on the speed setting of your fan speed control.

Burner Tray:

The burner tray is positioned directly under the burner tube(s) and logs and is made of a different gauge material from the rest of the firebox and body. Therefore, the varying thicknesses of steel will expand and contract at slightly different rates which can cause "ticking" and "cracking" sounds. You should also be aware that as there are temperature changes within the unit these sounds will likely re-occur. Again, this is normal for steel fireboxes.

Blower Thermodisc:

When this thermally activated switch turns ON it will create a small "clicking" sound. This is the switch contacts closing and is normal.

Pilot Flame:

While the pilot flame is on it can make a very slight "whisper" sound.

Gas Control Valve:

As the gas control valve turns ON and OFF, a dull clicking sound may be audible, this is normal operation of a gas regulator or valve.

Unit Body/Firebox:

Different types and thicknesses of steel will expand and contract at different rates resulting in some "cracking" and "ticking" sounds will be heard throughout the cycling process.

2) Clean glass (never when unit is hot), appliance, and door with a damp cloth. Never use an abrasive cleaner.

3) The heater is finished in a porcelain finish or with a heat resistant paint and should only be refinished with heat resistant paint (not with wall paint).

Never use an abrasive cleaner on the porcelain finish as it may scratch the surface.

4) Make a periodic check of burner for proper position and condition. Visually check the flame of the burner periodically, making sure the flames are steady; not lifting or floating. If there is a problem, call a qualified service person.

5) **CAUTION:** Label all wires prior to disconnection when servicing controls. Wiring errors can cause improper and dangerous operation.

6) The appliance and venting system must be inspected before use, and at least annually, by a qualified field service person, to ensure that the flow of combustion and ventilation air is not obstructed.

During the annual service call, the burners should be removed from the burner tray and cleaned. Replace the embers but do not block the pilot.

7) Keep the area near the appliance clear and free from combustible materials, gasoline, and other flammable vapours and liquids.

WARNING: CHILDREN AND ADULTS SHOULD BE ALERTED TO THE HAZARDS OF HIGH SURFACE TEMPERATURE AND SHOULD STAY AWAY TO AVOID BURNS OR CLOTHING IGNITION. YOUNG CHILDREN SHOULD BE CAREFULLY SUPERVISED WHEN THEY ARE IN THE SAME ROOM AS THE APPLIANCE.

DO NOT USE THIS APPLIANCE IF ANY PART HAS BEEN UNDER WATER. IMMEDIATELY CALL A QUALIFIED SERVICE TECHNICIAN TO INSPECT THE APPLIANCE AND TO REPLACE ANY PART OF CONTROL SYSTEM AND ANY GAS CONTROL WHICH HAS BEEN UNDER WATER.

CLOTHING OR OTHER FLAMMABLE MATERIAL SHOULD NOT BE PLACED ON OR NEAR THE APPLIANCE.

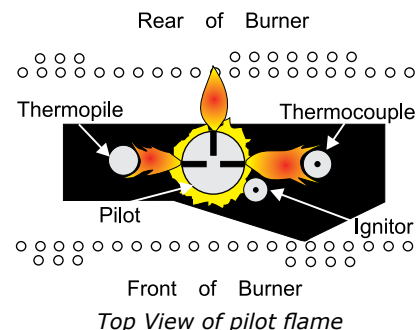
CAUTION: ANY SAFETY SCREEN OR GUARD REMOVED FOR SERVICING AN APPLIANCE MUST BE REPLACED PRIOR TO OPERATING THE APPLIANCE.

8) Each time the appliance is lit, it may cause condensation and fog the glass. This condensation and fog is normal and will disappear in a few minutes as the glass heats up.

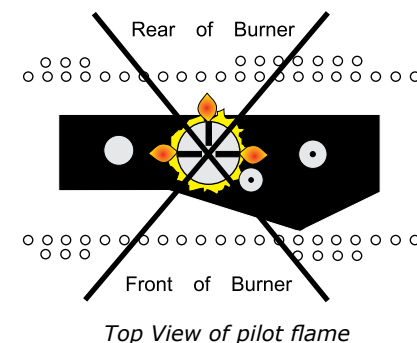
Never operate the appliance without the glass properly secured in place.

9) Periodically check the pilot flames. Correct flame pattern has three strong blue flames: 1 flowing around the thermopile and 1 around the thermocouple, and 1 flowing across the rear of the burner (it does not have to be touching the burner).

Note: If you have an incorrect flame pattern, contact your Hampton® dealer for further instructions.



Incorrect flame pattern will have small, probably yellow flames, not coming into proper contact with the rear of the burner or thermopile.



Maintenance Instructions

1) Always turn off the valve before cleaning. For relighting, refer to lighting instructions. Keep the burner and control compartment clean by brushing and vacuuming at least once a year. When cleaning the logs, use a soft clean paint brush as the logs are fragile and easily damaged.

General Vent Maintenance

Conduct an inspection of the venting system semi-annually. Recommended areas to inspect as follows:

- 1) Check the Venting System for corrosion in areas that are exposed to the elements. These will appear as rust spots or streaks, and in extreme cases, holes. These components should be replaced immediately.
- 2) Remove the Cap, and shine a flashlight down the Vent. Remove any bird nests, or other foreign material.
- 3) Check for evidences of excessive condensation, such as water droplets forming in the inner liner, and subsequently dripping out the joints, Continuous condensation can cause corrosion of caps, pipe, and fittings. It may be caused by having excessive lateral runs, too many elbows, and exterior portions of the system being exposed to cold weather.
- 4) Inspect joints, to verify that no pipe sections or fittings have been disturbed, and consequently loosened. Also check mechanical supports such as Wall Straps, or plumbers' tape for rigidity.

- 2) Open the 2 latches of the Glass Front.
- 3) Lift the Glass Front Assembly up.



Latches

- 4) Remove the glass and replace with the new glass.



Log Replacement

The unit should never be used with broken logs. Turn off the gas valve and allow the unit to cool before opening door to carefully remove the logs. The pilot light generates enough heat to burn someone. If for any reason a log should need replacement, you must use the proper replacement log. The position of these logs must be as shown in the diagram under Log Installation.

Note: Improper positioning of logs may create carbon build-up and will alter the unit's performance which is not covered under warranty.

Glass Gasket

If the glass gasket requires replacement, use Part # 846-687.

Glass Replacement

Your stove is supplied with high temperature, 5 mm Neoceram ceramic glass that will withstand the highest heat that your unit will produce. In the event that you break your glass by impact, purchase your replacement door from an authorized Hampton® dealer only, and follow our step-by-step instructions for replacement.

- 1) Lift off the Cast Top.

- 5) Replace the door and Cast Top.

Replacement Part # 940-324/P Glass

WARNING: Do not operate appliance with glass panel removed, cracked or broken. Replacement of the glass should be done by a licensed or qualified service person.

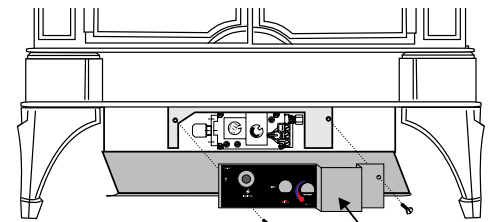
Note: Wearing gloves will protect your hands while handling glass.

Removing Valve

If your valve requires maintenance or replacement, use the following instructions:

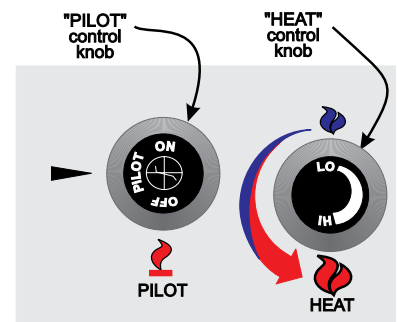
Note: Always close off the gas supply before removing the valve.

- 1) If optional fan is installed, disconnect power source to stove.
- 2) Remove access panel.
- 3) Disconnect gas line to stove.

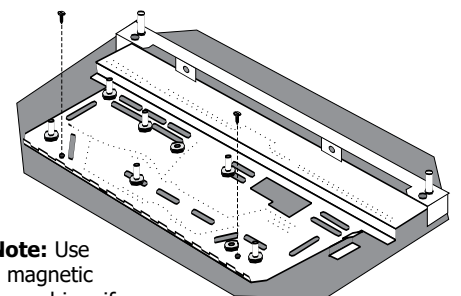


Control Panel

- 4) Disconnect 3/8" NPT pipe from 90° elbow on valve.
- 5) Disconnect the two (2) switch wires from valve.
- 6) Disconnect piezo wire.
- 7) Lift off the Cast Top and lift out the front door.

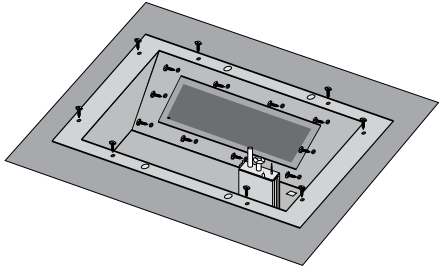


- 8) Carefully remove the logs, embers and rock-wood.
- 9) Remove burner (see diagram below).

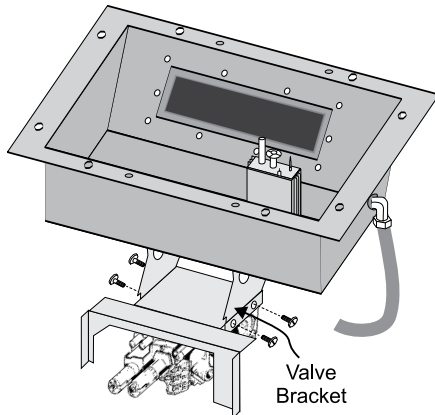


Note: Use a magnetic screwdriver if possible.

- 10)** Remove all 18 screws holding the burner tray assembly in place.



- 11)** Carefully lift the burner tray assembly out.



Burner tray assembly,
after being removed
from the stove

- 12)** To replace the burner tray assembly, simply reverse these instructions.

To remove valve from valve assembly, continue.

- 13)** Remove two (2) thermopile wires.
- 14)** Remove thermocouple with a 9 mm (metric) wrench.
- 15)** Remove pilot nut with an 11 mm wrench.
- 16)** Remove valve to orifice nut with a 13/16" wrench.
- 17)** Remove inlet pipe with pipe wrench. Note orientation of 90° elbow.
- 18)** Remove two (2) phillips head M5 screws on each side of the valve.
- 19)** Remove valve and remove gas out 90° brass fitting. Note orientation of fitting.

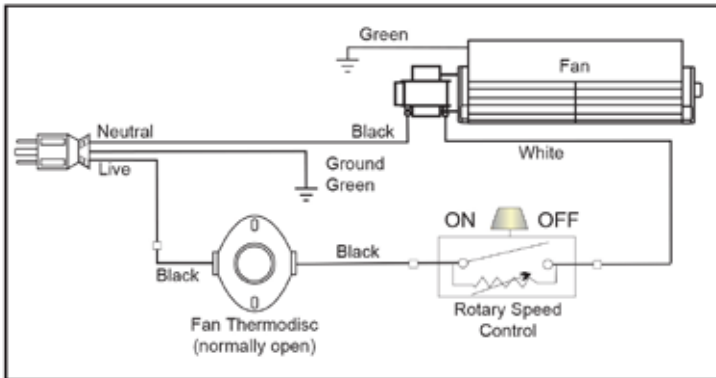
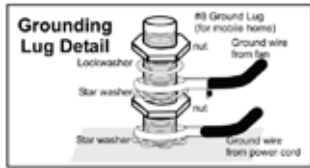
Installing Valve Assembly

- 1)** To install a new valve assembly, reverse instructions for **removing valve**. See assembly steps 1-12.
- 2)** Check for leaks and manifold pressure. See **Gas Pressure Test** instructions.
- 3)** To reinstall valve, reverse instructions for removing valve assembly, steps 13-19.

Fan Maintenance

WARNING: Electrical Grounding Instructions

This appliance is equipped with a three pronged (grounding) plug for your protection against shock hazard and should be plugged directly into a properly grounded three-prong receptacle. Do not cut or remove the grounding prong from this plug.



Removing the Fan

1. Unplug or disconnect power source to stove.
2. Reverse steps 7 to 10 from "Installing the Optional Fan" instructions above.

Servicing the Thermodisc

To replace or service the fan thermodisc (temperature switch), use the following steps:

1. Unplug or disconnect power source to stove.
2. Remove two screws from the lower left and lower right areas of the back cover panel.



Figure 1



Figure 2

3. Lift the back cover panel up and pivot out away from the unit. Take care note to pull on the wires attached to the back cover panel.



Figure 3

4. The thermodisc can now be accessed on the back of the firebox behind the air intake tube. (Image 14)



Figure 4

NOTE: When servicing the thermodisc ensure you do not damage the air intake flex tubes.

Gas Maintenance - Recommended Annual Routine

In order for your Regency appliance to continue to provide comfort to your home periodic maintenance must be performed to ensure it is operating at peak efficiency. The items in the list should be checked by a licensed gas service technician during the annual service check. Your unit may require more frequent maintenance checks if you notice any changes in how it operates. Operational changes to look for can include, but are not limited to, extended start up time, increased fan noise, residue/carbon build up, white build up on the glass/firebox, increased operating noise etc. Should any of these or other conditions arise, discontinue use and schedule a service check with your local licensed gas technician. The list below shows items your licensed service technician will need to check and service at least annually.

Clean

- Glass
- Interior bricks / panels
- Burner ports & burner air shutter
- Fan blades
- Log set
- Pilot orifices
- Pilot hood (change as needed)
- Flame sensor (electronic ignition models)
- Flame electrode
- Burner orifice
- Thermocouple (millivolt models)
- Thermopile (millivolt models)

Inspect

- Pilot assembly
- Burner
- Pressure relief gaskets/doors
- Flue connector gasket if present
- Door seal
- Firebox
- Venting
- Batteries (remote handheld, remote receiver, DC sparker, change as needed)
- Burner media (change as needed)
- Air shutter setting
- Wiring

Check

- Voltage on thermocouple/thermopile (millivolt models)
- Ohms reading on flame sense (electronic ignition models)
- Inlet/outlet fuel pressures as per rating plate
- Voltage/ohms readings on gas valve
- Ohms reading to on/off switch circuit (Millivolt models)

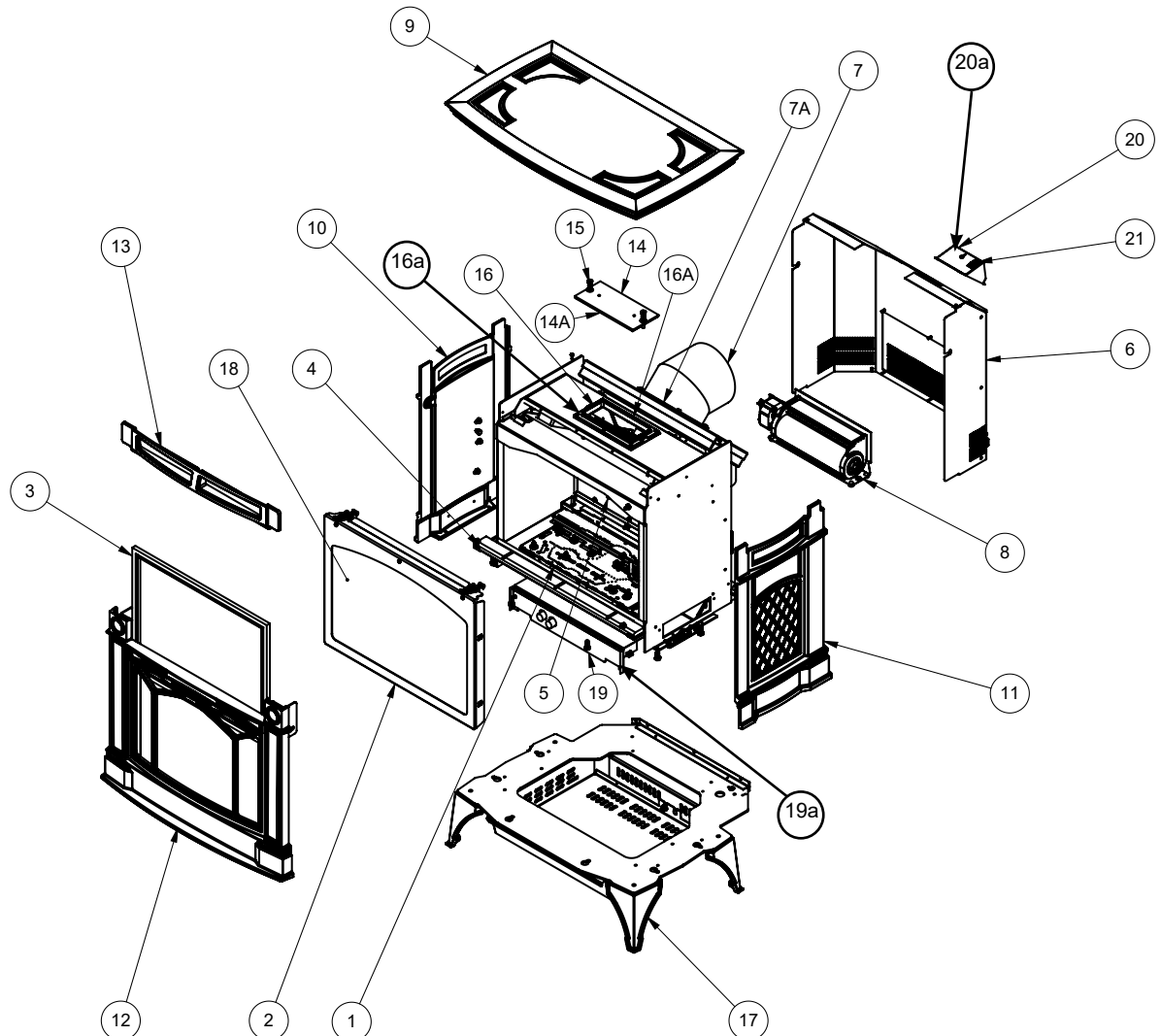
Gas Leak Tests

- Check main gas line connection to valve
- Check shut off valve connections
- Check connection at gas valve outlet
- Check connection at main burner orifice
- Check pilot fuel line at valve and at pilot assembly

parts list

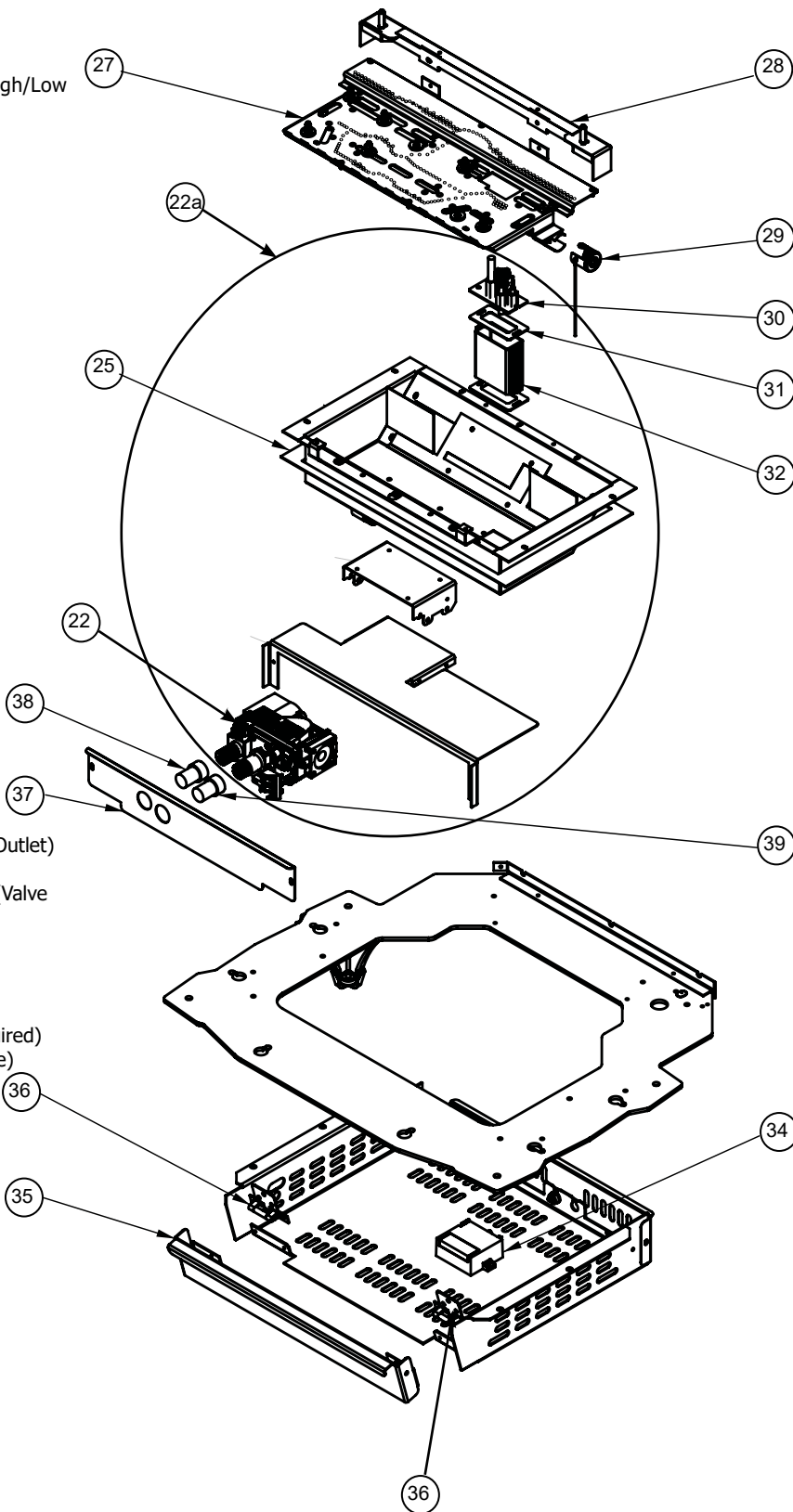
Main Assembly

Part #	Description	Part #	Description
1)	730-550 Burner Assembly NG/LP	14)	770-066F Top Pressure Relief Plate
2)	740-542 Door Assembly	14a)	W260280 Top Pressure Relief Plate Gasket
3)	743-100 Safety Screen	15)	904-012 Top Pressure Relief Bolt (Each)
4)	742-160 Front Brick Inlay	16)	742-117 Pressure Relief Frame
5)	740-548 Rear Relief Door Assembly	16a)	W260260 Pressure Relief Frame Gasket
	740-059 Rear Relief Door Assembly Gasket	17)	743-241 Cast Leg Charcoal Grey (each)
6)	743-513 Rear Panel Assembly		743-245 Cast Leg Timberline Brown (each)
7)	945F Starter Collar		743-247 Cast Leg Seaside Sand (each)
7a)	W842051 Starter Collar Gasket Outer	18)	940-324/P Replacement Glass/Includes Gasket
7a)	W260108 Starter Collar Gasket Inner	N/S	846-687 1/4" x 5/16" Tadpole w/ Adhesive Glass Gasket (6') (41225)
8)	910-331/P Replacement Fan Motor	19)	744-004 Control Panel Front
9)	743-201 Cast Top Charcoal Grey	19a)	920-447 Control Panel Front Decal
	743-205 Cast Top Timberline Brown		
	743-207 Cast Top Seaside Sand		
10)	743-211 Cast Left Charcoal Grey		
	743-215 Cast Left Timberline Brown		
	743-217 cast Left Seaside Sand		
11)	743-221 Cast Right Charcoal Grey		
	743-225 Cast Right Timberline Brown		
	743-227 Cast Right Seaside Sand		
12)	743-231 Cast Front Charcoal Grey		
	743-235 Cast Front Timberline Brown		
13)	743-271 Top Cast Grill Charcoal Grey		
	743-275 Top Cast Grill Timberline Brown		
	743-277 Top Cast Grill Seaside Sand		



Burner & Log Assembly

Part #	Description
20)	260-037 Rear Control Panel
20a)	920-443 Rear Control Panel Decal
21)	910-246 Switch 2-Way
22)	910-568 Novasit Gas Valve NG/LP 820 SIT High/Low 0.820.852
22a)	744-574/P Valve Assembly - NG
22a)	744-576/P Valve Assembly - LP
25)	630-008 Valve Assembly Gasket
27)	730-550 Burner Tube Assembly - NG/LP
28)	730-528 Rear Log Bracket Assembly
29)	260-565 Air Shutter Assembly
30)	910-038/P Novasit Pilot Assembly - NG 0.199.769
30)	910-039/P Novasit Pilot Assembly - LP 0.199.768
31)	W840470 Pilot Assembly Gasket
32)	730-041 Pilot Holder
34)	910-073 Spark Generator Battery Holder
	910-074 Spark Generator Switch c/w Wire
35)	743-056 Valve Access Door
36)	948-042 Spring Hinge Black (Each)
37)	744-004 Control Panel Cover Front
38)	910-373 Knob Extension Pilot On/Off SIT 916.217
39)	910-372 Knob Extension Hi/Low SIT 0.916.218
N/S	910-036 Novasit Pilot Orifice - NG #51
N/S	910-037 Novasit Pilot Orifice - LP #30
N/S	910-096 Novasit Pilot Hood 3 Way
N/S	910-341 Thermopile 0.940.002
N/S	910-386 Quick Dropout Thermocouple 0.290.216
N/S	910-030 Novasit Electrode - Short 0.915.075
N/S	910-432 Novasit Pilot Tubing With Nuts
N/S	904-240 Burner Orifice #37 - NG
N/S	904-390 Burner Orifice #52 - LP
N/S	904-529 Allen Key 5/32 Long
N/S	910-940 Black Protective Cap Hi/Low Control Knob
N/S	911-137 Pilot Hood Clip
N/S	910-941 4 m.m. Valve Screw With Red O-Ring
N/S	932-012 3/8" Stainless Steel Flexible Tubing (Gas Outlet)
N/S	904-599 Fitting Elbow 90 Degree (Orifice End)
N/S	904-633 Connector 3/8" Compression X 3/8" Male (Valve Outlet End)
N/S	904-538 3/8" X 13" Black Steel Pipe - Gas Inlet
N/S	936-170 Burner Orifice Gasket
N/S	630-009 Valve Assembly/Air Passage Gasket
N/S	948-255 Door Frame Latch (Each)
N/S	41225 Glass Gasket - Sold Per Foot (6 Feet Required)
N/S	402-935 Log Set - (No Embers, Or Lava In Package) Sold Separately
N/S	902-151 Embers - Large - Bag
N/S	902-154 Lava - Bag
N/S	740-572 Ember/Lava Package Complete
N/S	743-160 Inner Front Brick Inlay
N/S	630-021F Fan Access Panel - Rear
N/S	740-076 Air Deflector
N/S	W801015 Touch Up Paint - Brown
N/S	904-569 Knob Fan Speed Control
N/S	910-330 Speed Control Fan w/ Connectors
N/S	910-233 Fan Thermodisc Switch 60T12 313457
N/S	910-733 Wire Valve To Burner Switch (Yellow) (On/Off Switch/Gas Valve)
N/S	910-734 Wire High Temp Valve To Burner (Red) (On/Off Switch/Gas Valve)
N/S	910-897 Wire Harness (Black/White) (Fan)
N/S	911-096 Power Cord 120 Volts w/Connector
N/S	911-361 Wire High Temp 13 Inch (Black) (Fan)
N/S	948-219 Hampton Logo Plate (Each)



N/S = Not Shown

Optional Accessories

	Part #	Description
N/S	744-917	Fan Kit Complete
N/S	740-901	Brick Panels Rustic Brown
N/S	740-902	Brick Panels Old Town Red
N/S	744-969	LP Conversion Kit
N/S	910-399	Fire genie Remote Control
N/S	910-407	Basic Wall Thermostat
N/S	910-404/P	Programmable Wall Thermostat
N/S	W902005	Vent Paint Brown

N/S = Not Shown

Indoor Gas Product Warranty

Limited Lifetime Warranty

FPI Fireplace Products International Ltd. (for Canadian customers) and Fireplace Products US, Inc. (for US customers) (collectively referred to herein as "FPI") extends this Limited Lifetime Warranty to the original purchaser of this Appliance provided the product remains in the original place of installation. The items covered by this Limited Lifetime Warranty and the period of such coverage are set forth in the table below.

An Appliance in this policy is defined as an Indoor Gas Fireplace, Indoor Gas Insert, Indoor Gas Freestanding Stove.

This Appliance has only been certified and listed for use indoors.

This Limited Lifetime Warranty starts on the day the Appliance was purchased.

The Limited Lifetime Warranty is not transferable, amendable or negotiable under any circumstances.

Indoor Gas Products Warranty Coverage Parts and Labor	Limited Lifetime	5 years	2 years	1 year	Subsidized Labor Coverage* (Years)
Firebox and Heat Exchanger	✓				3
Steel Burner Tube	✓				3
Glass Thermal breakage only	✓				3
All painted Surrounds/Inlays Finishes		✓			3
Brick Panels/Log sets/Ceramic Burners		✓			3
All Castings		✓			3
Valve assembly and all gas control components (Pilot assembly, flame sensors, Spark Electrode, Pilot Tubing, Orifices, Thermocouple, Thermopile)			✓		2
All Other Electrical components (Ignition Control Boards, Wiring, Switches, Blowers, Blower Control Module, Battery Pack, Remote Control Systems)			✓		2
Enamel Panels			✓		1
Venting/Venting Components			✓		1
All Stainless steel surrounds All black chrome Brushed nickel/Antique copper Faceplates/surrounds All Inner/Outer Black Glass panels				✓	1
All Firebox Media (Crystals, Fire beads, Volcanic, Ceramic, Spa Stones, River Pebbles)				✓	1
All hardware				✓	1
WIFI Dongle				✓	1
Mesh/Glass Safety Barriers				✓	1
Accent Light Bulbs				✓	1
Glass (Crazing)				✓	1

Note: Warranty coverage noted above may not be applicable as components/options vary based on appliance purchased.

Conditions:

Warranty protects against defect in manufacture or FPI factory-assembled components only, unless herein specified otherwise.

***This warranty does not cover dealer travel costs, mileage, fuel, tolls for diagnostic or service work. All labor rates paid to authorized dealers are subsidized, pre-determined rates. Dealers may charge you for travel and additional time beyond their subsidy.**

Any part(s) found to be defective during the warranty period as outlined above will be repaired or replaced at FPI's option through an accredited distributor, dealer or pre-approved and assigned agent; provided that the defective part is returned to the distributor, dealer or agent for inspection if requested by FPI. Alternatively, FPI may, at its discretion, fully discharge all of its obligations under warranty by refunding the verified purchase price of the product to the original purchaser. The purchase price must be confirmed by the original Bill of Sale. **The authorized selling dealer, or an alternative authorized FPI dealer if pre-approved by FPI, is responsible for all in-field diagnosis and service work related to all warranty claims. FPI is not responsible for results or costs of workmanship of unauthorized FPI dealers or agents in the negligence of their service work.**

At all times, FPI reserves the right to inspect reported in the field/on location complaints of products claimed to be defective before processing or authorizing any claim. Failure to allow this upon request will void the warranty.

All warranty claims must be submitted by the dealer servicing the claim, including a copy of the Bill of Sale (proof of purchase by you). All claims must be complete and provide full details as requested by FPI to receive consideration for evaluation. **Incomplete claims may be rejected.**

Replacement Appliances to the original purchaser are limited to one per warranty term. Appliances must be installed according to all manufacturers' instructions as per the manual. All Local and National required codes must be met.

The installer is responsible for ensuring the Appliance is operating as designed at the time of installation.

The original purchaser is responsible for the annual maintenance of the Appliance, as outlined in the owner's manual. As outlined below, the warranty may be voided due to problems caused by a lack of maintenance.

Purchased parts: Repair/replacement parts purchased by the consumer from FPI after the original coverage has expired on the Appliance will carry a **90-day** warranty from the purchase date, valid with a receipt only. Any item shown to be defective will be repaired or replaced at our discretion. No labor coverage is included with these parts.

Special Finishes - One year on brushed nickel, black chrome and antique copper faceplates/surrounds. You can expect some changes in color as the product "ages" with constant heating and cooling. FPI warrants the product for any manufacturing defects on the original product. However, the manufacturer's warranty does not cover changing colors and marks, i.e. fingerprints, etc. applied after the purchase of the product. Damage from the use of abrasive cleaners is not covered by warranty.

If freight damage has been found either externally or internally, the dealer must be informed within 3 days. All claims as a result of damage must be submitted by the dealer servicing the claim, including a copy of the Bill of Sale (proof of purchase). All claims must be complete and provide full details as requested by FPI to receive consideration for evaluation. **Incomplete claims may be rejected.**

As this is a Limited Lifetime Warranty, if the Appliance needs to be replaced, the Appliance that was purchased at the time of sale might not be replaced with exactly the same model Appliance. In that case, FPI will replace your Appliance with one that is similar at the time of replacement under the terms of this Limited Lifetime Warranty, but **ONLY** in the event that an item covered by the Limited Lifetime Warranty is found to be defective. Please refer to the table on first page of this warranty for items covered by the Limited Lifetime Warranty. Product changes might be the result of the original Appliance being discontinued, changes in regulatory requirements, product advancements, etc., which are beyond the control of FPI. **This Limited Lifetime Warranty does not cover any installation costs, or costs associated with changes of required clearances for the replacement Appliance, hearth pads, mantles, facing and/or facing materials such as framing, completed walls made of drywall, wood, non-combustible board, tile, brick, stone, marble etc., venting/chimney systems, or components of the chimney system.**

If a suitable replacement is not available, FPI will refund **50%** of the purchase price of the Appliance and any applicable FPI accessories (faceplates, brick panels, media, etc.) purchased at the time of sale. **In no event will FPI refund any portion of the purchase price of, or reimburse costs associated with, any other items, including without limitation, installation of a new Appliance, changes of required clearances for a new Appliance, hearth pads, mantles, facing and/or facing materials such as framing, completed walls made of drywall, wood, non-combustible board, tile, brick, stone, marble etc., venting/chimney systems, or components of the chimney system. A copy of the receipt or bill of sale will be necessary to validate the purchase price.**

Exclusions:

This Limited Lifetime Warranty does not extend to paint, rust or corrosion of any kind due to a lack of maintenance or improper venting, combustion air provision, corrosive chemicals (i.e. chlorine, salt, air, etc.), door or glass gasketing, batteries, color fading, carbon/sooting of the log sets due to use and does not cover lava rock, platinum/glowing embers, vermiculite.

Malfunction, damage or performance-based issues as a result of environmental conditions, location, chemical damages, downdrafts, installation error, an installation by an unqualified installer, incorrect chimney components (including but not limited to cap size or type), operator error, abuse, misuse, use of improper fuels, lack of regular maintenance and upkeep, acts of God, weather-related problems from hurricanes, tornados, earthquakes, floods, lightning strikes/bolts or acts of terrorism or war, which result in a malfunction of the Appliance are not covered under the terms of this Limited Lifetime Warranty.

FPI has no obligation to enhance or modify any Appliance once manufactured (i.e. as products evolve, field modifications or upgrades will not be performed on existing Appliances).

Any Appliance showing signs of neglect or misuse will not be covered under the terms of this warranty policy and may void this warranty, including Appliances with rusted or corroded fireboxes that have not been reported as rusted or corroded within **three (3)** months of installation/purchase.

Appliances which show evidence of being operated while damaged, or with problems known to the purchaser and causing further damages will void this warranty.

Appliances where the serial no. has been altered, deleted, removed or made illegible will void this warranty.

Minor movement, expansion and contraction of the steel is normal and is not covered under the terms of this warranty.

Freight damages for products or parts are not covered under the terms of the warranty.

Products made or provided by other manufacturers and used in conjunction with the FPI Appliance without prior authorization from FPI may void this warranty.

Limitations of Liability:

The original purchaser's exclusive remedy under this warranty, and FPI's sole obligation under this Limited Lifetime Warranty, express or implied, in contract or in tort, shall be limited to replacement, repair, or refund, as outlined above. IN NO EVENT WILL FPI BE LIABLE UNDER THIS WARRANTY FOR ANY INCIDENTAL OR CONSEQUENTIAL COMMERCIAL DAMAGES OR DAMAGES TO PROPERTY. TO THE EXTENT PERMITTED BY APPLICABLE LAW, FPI MAKES NO EXPRESS WARRANTIES OTHER THAN THE WARRANTY SPECIFIED HEREIN. THE DURATION OF ANY IMPLIED WARRANTY IS LIMITED TO DURATION OF THE EXPRESSED WARRANTY SPECIFIED ABOVE. IF IMPLIED WARRANTIES CANNOT BE DISCLAIMED, THEN SUCH WARRANTIES ARE LIMITED IN DURATION TO THE DURATION OF THIS WARRANTY.

Some US states do not allow limitations on how long an implied warranty lasts, or allow exclusion or limitation of incidental or consequential damages, so the above limitations or exclusions may not apply to you.

Customers located outside the US should consult their local, provincial or national legal codes for additional terms, which may apply to this warranty.

How to Obtain Warranty Service:

Customers should contact the authorized selling dealer to obtain warranty service. In the event the authorized selling dealer is unable to provide warranty service, please contact FPI by mail at the address listed below. Please include a brief description of the problem and your address, email and telephone contact information. A representative will contact you to make arrangements for an inspection and/or warranty service.

Canadian Warrantor:**FPI Fireplace Products International Ltd.**

6988 Venture St.
Delta, British Columbia
Canada, V4G 1H4

U.S. Warrantor:**Fireplace Products US, Inc.**

PO Box 2189 PMB 125
Blaine, WA
United States, 98231

Or contact the Regency Customer Care Centre at 1-800-442-7432 (phone) / 604-946-4349 (fax)
/customerservice@regency-fire.com (e-mail)

Product Registration and Customer Support:

Thank you for choosing a Regency Fireplace. Regency strives to be a world leader in the design, manufacture, and marketing of hearth products. To provide the best support for your product, we request that you complete a product registration form at <http://www.regency-fire.com/Customer-Care/Warranty-Registration.aspx> within **ninety (90)** days of purchase.

Warranty Registration Card



Product Registration and Customer Support:

Thank you for choosing a Regency Fireplace. Regency strives to be a world leader in the design, manufacture, and marketing of hearth products. To provide the best support for your product, we request that you complete a product registration form found on our Web Site under Customer Care within ninety (90) days of purchase.

For purchases made in **CANADA or the UNITED STATES:**

<http://www.regency-fire.com/Customer-Care/Warranty-Registration.aspx>

For purchases made in AUSTRALIA:

<http://www.regency-fire.com.au/Customer-Care/Warranty-Registration.aspx>

You may also complete the warranty registration form below to register your Regency Fireplace Product and mail and/or fax it back to us, and we will register the warranty for you. It is important you provide us with all the information below in order for us to serve you better.

Warranty Registration Form (or Register online immediately at the above Web Site):

Warranty Details	
Serial Number (required):	
Purchase Date (required) (mm/dd/yyyy):	
Product Details	
Product Model (required):	
Dealer Details	
Dealer Name (required):	
Dealer Address:	
Dealer Phone #:	
Installer:	
Date Installed (mm/dd/yyyy):	
Your Contact Details (required)	
Name:	
Address:	
Phone:	
Email:	

For purchases made in CANADA:

FPI Fireplace Products International Ltd.
6988 Venture St.
Delta, British Columbia
Canada, V4G 1H4

Phone: 604-946-5155
Fax: 1-866-393-2806

For purchases made in the UNITED STATES:

Fireplace Products US, Inc.
PO Box 2189 PMB 125
Blaine, WA
United States, 98231

Phone: 604-946-5155
Fax: 1-866-393-2806

For purchases made in AUSTRALIA:

Fireplace Products Australia Pty Ltd
99 Colemans Road
Dandenong South, Vic.
Australia, 3175

Phone: +61 3 9799 7277
Fax: +61 3 9799 7822

For fireplace care and tips and answers to most common questions please visit our Customer Care section on our Web Site. Please feel free to contact your selling dealer if you have any questions about your Regency product.

PRODUCT LIFE CYCLE:

By recycling your used appliances, you divert waste from your local landfills and help the environment. You also reduce the need for raw materials to manufacture new products. Contact your local municipality for appliance recycling services, local recycling programs, or appliance removal services to ensure your Regency appliance components, and packaging are properly recycled.

Installer: Please complete the following information

Dealer Name & Address: _____

Installer: _____

Phone #: _____

Date Installed: _____

Serial #: _____