



Regency Horizon™ HZ40E Gas Fireplace

Owners &
Installation Manual

MODELS: HZ40E-NG Natural Gas
HZ40E-LP Propane



www.regency-fire.com

WARNING:

If the information in these instructions are not followed exactly, a fire or explosion may result causing property damage, personal injury or loss of life.

FOR YOUR SAFETY

Do not store or use gasoline or other flammable vapors and liquids in the vicinity of this or any other appliance.

Installation and service must be performed by a qualified installer, service agency or the gas supplier.

FOR YOUR SAFETY

What to do if you smell gas:

- Do not try to light any appliance
- Do not touch any electrical switch: do not use any phone in your building.
- Immediately call your gas supplier from a neighbour's phone. Follow the gas supplier's instructions.
- If you cannot reach your gas supplier, call the fire department.

Tested by:



Installer: Please complete the details on the back cover and leave this manual with the homeowner.

Homeowner: Please keep these instructions for future reference.

MANUFACTURED MOBILE HOME REQUIREMENTS

INFORMATION FOR MOBILE/MANUFACTURED HOMES AFTER FIRST SALE

This Regency® product has been tested and listed by Warnock Hersey/Intertek as a Direct Vent Wall Furnace to the following standards: VENTED GAS FIREPLACE HEATERS ANSI Z21.88-2009 / CSA 2.33-2009 and GAS-FIRED APPLIANCES FOR USE AT HIGH ALTITUDES CAN / CGA 2.17-M91.

This appliance may only be installed in an aftermarket permanently located, manufactured (U.S.A only) or mobile home, where not prohibited by local codes.

This Direct Vent System Appliance must be installed in accordance with the manufacturer's installation instructions and the Manufactured Home Construction and Safety Standard, Title 24 CFR, Part 3280, or the current Standard of Fire Safety Criteria for Manufactured Home Installations, Sites, and Communities ANSI/NFPA 501A, and with CAN/CSA Z240-MH Mobile Home Standard in Canada.

This appliance installation must comply with the manufacturer's installation instructions and local codes, if any. In the absence of local codes follow the current National Fuel Gas Code, ANSI Z223.1 and the current National Electrical Code ANSI/NFPA 70 in the U.S.A., and the current CAN/CGA B149 Gas Installation Code and the current Canadian Electrical Code CSA C22.1 in Canada.

This appliance comes equipped with a dedicated #8 Ground Lug for attachment of the ground wire to the steel chassis as applicable to local codes.

The appliance, when installed, must be electrically grounded in accordance with local codes or, in the absence of local codes, with the National Electrical Code, ANSI/NFPA 70, or the Canadian Electrical Code, CSA C22.1.

This appliance can only be used with the type of gas indicated on the rating plate.
This appliance is not convertible for use with other gases.

Ensure that structural members are not cut or weakened during installation.

This appliance may be installed as an OEM installation in a manufactured home (USA only) or mobile home and must be installed in accordance with the manufacturer's instruction and the *Manufactured Home Construction and Safety Standard, Title 24 CFR, Part 3280*, in the United States, or the Standard for Installation in Mobile Homes, *CAN/CSA Z240 MH*, in Canada.



WARNING!



**HOT GLASS WILL
CAUSE BURNS**

**DO NOT TOUCH GLASS
UNTIL COOLED**

**NEVER ALLOW CHILDREN
TO TOUCH GLASS**

To the New Owner:

Congratulations!

You are the owner of a state-of-the-art Gas Fireplace by REGENCY®. The HZ40E has been designed to provide you with all the warmth and charm of a fireplace at the flick of a switch. The model HZ40E has been approved by Warnock Hersey/Intertek for both safety and efficiency. As it also bears our own mark, it promises to provide you with economy, comfort and security for many trouble free years to follow. Please take a moment now to acquaint yourself with these instructions and the many features of your Regency® Fireplace.



TABLE OF CONTENTS

SAFETY DECAL

Copy of Safety Decal.....	5
---------------------------	---

REQUIREMENTS

MA Code - CO Detector.....	6
----------------------------	---

INSTALLATION

Important Message	8
Before You Start	8
General Safety Information.....	8
Installation Checklist.....	9
Locating Your Gas Fireplace	9
Heatwave Duct System	9
Heat Release kit	9
Clearances	10
Mantel Clearances.....	11
Mantel Leg Clearances.....	11
Unit Assembly Prior To Installation	12
Nailing Strips.....	12
Installation Access panel	12
Framing Dimensions.....	13
Non-Combustible Requirements	14
Non-combustible facing installation	14
Framing & Finishing.....	15
Framing & Finishing.....	16
Non-Combustible Requirements	16
Exterior Vent Termination Requirements	17
4" x 6-5/8" Rigid Pipe	18
Cross Reference Chart only	18
Vent Restrictor Position	20
Venting Introduction.....	21
Venting Arrangement for Horizontal Terminations	21
Horizontal Terminations	22
Flex Vent 4" x 6-7/8"	22
Horizontal terminations.....	23
Rigid Pipe 4" x 6-5/8".....	24
Vertical terminations	27
Rigid Pipe 4" x 6-5/8".....	27
Venting Arrangement for Vertical Terminations.....	28
Vertical Termination with Co-Linear Flex System	29
Vertical Terminations	30
Rigid Pipe 4" x 6-5/8".....	30
Venting Arrangements - Vertical Terminations	32
Unit Installation with Horizontal Termination	33
Unit Installation with Horizontal Termination	34
unit installation with Vertical Termination.....	35
4" x 6-5/8" venting	35
High Elevation Gas Line Installation.....	36

Pilot Adjustment.....	36
Gas Pipe Pressure Testing.....	36
880 S.I.T. Valve Description.....	36
Aeration Adjustment	36
AC power adaptor installation (for surefire systems)...	37
Wiring Diagram.....	38
Proflame system GT	39
Proflame system GTM	39
Proflame system GTMF with optional fan.....	40
Optional fan Wiring Diagram	41
Without ProFlame GTMF system	41
Optional Remote Control.....	42
Wall mount On / Off Switch and battery compartment Installation and/or receiver installation	43
GTMF remote installation	45
Optional fan Installation	48
Optional fan Installation - into existing installations.....	49
Inner Panel Installation	51
Glass Crystals or optional ceramic stones	52
Installation On Burner.....	52
Optional Pebble / Crystal Installation.....	53
Glass door Installation.....	54
Optional mesh glass guard.....	55
4 piece faceplate installation	56
Inner and outer door frame installation.....	57

OPERATING INSTRUCTIONS

Operating Instructions	58
First Fire	58
Lighting Procedure	58
Shutdown Procedure	58
Normal Operating Sounds of Gas Appliances.....	58
Copy of Lighting Plate Instructions	59
Maintenance Instructions.....	60
Glass Gasket.....	60
Glass Door.....	60
Glass Replacement	60
General Vent Maintenance	60
Valve assembly Replacement	61

PARTS LIST

Main Assembly	62
Accessories	63



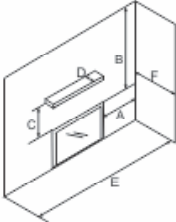
WARRANTY

The Warranty: Limited Lifetime	67
--------------------------------------	----

This is a copy of the label that accompanies each HZ40E-NG and HZ40E-LP Direct Vent Gas Fireplace. We have printed a copy of the contents here for your review.

NOTE: Regency® units are constantly being improved. Check the label on the unit and if there is a difference, the label on the unit is the correct one.

COPY OF SAFETY DECAL

	<p>Listed: VENTED GAS FIREPLACE HEATER / FOYER AU GAZ À ÉVACUATION DO NOT REMOVE THIS LABEL / NE PAS ENLEVER CETTE ÉTIQUETTE Certified for/Certifiée pour: CANADA and U.S.A. Tested to: CAN/CGA-2.17-M91, ANSI Z21.88-2009/CSA 2.33-2009</p>		Serial No./ No de serie <div style="border: 1px solid black; padding: 2px; display: inline-block;">380</div>																																			
Intertek 4001172		MAY BE INSTALLED IN MANUFACTURED (MOBILE) HOMES AFTER FIRST SALE.																																				
<p>NATURAL GAS: Model HZ40E-NG</p> <table border="0" style="width: 100%;"> <tr> <td>Minimum supply pressure</td> <td>5.0" WC/C.E.</td> <td>(1.25 kPa)</td> </tr> <tr> <td>Manifold pressure</td> <td>3.5" WC/C.E.</td> <td>(0.87 kPa)</td> </tr> <tr> <td>Orifice size</td> <td>#40</td> <td>DMS</td> </tr> <tr> <td>Maximum input</td> <td>26,000 Btu/h</td> <td>(7.61 kW)</td> </tr> <tr> <td>Minimum input</td> <td>18,000 Btu/h</td> <td>(5.28 kW)</td> </tr> <tr> <td>Altitude</td> <td>0-4500 ft/l</td> <td>(0-1372 m)</td> </tr> </table>	Minimum supply pressure	5.0" WC/C.E.	(1.25 kPa)	Manifold pressure	3.5" WC/C.E.	(0.87 kPa)	Orifice size	#40	DMS	Maximum input	26,000 Btu/h	(7.61 kW)	Minimum input	18,000 Btu/h	(5.28 kW)	Altitude	0-4500 ft/l	(0-1372 m)	<p>APPAREIL FONCTIONNANT AU NATURAL GAS CONCU POUR ETRE POELE: Modèle HZ40E-NG</p> <p>Pression d'alimentation minimum Pression à la tubulure d'échappement élevée Grandeur de l'injecteur Débit Calorifique maximum selon l'altitude</p>	<p>Minimum Clearances to Combustibles / Degagement Minimum De Materiaux Combustibles</p>  <table border="0" style="width: 100%;"> <tr> <td>Side Walls</td> <td>A</td> <td>8" (203mm)</td> </tr> <tr> <td>Ceiling</td> <td>B</td> <td>22" (559mm)</td> </tr> <tr> <td>Min. Mantel Height</td> <td>C</td> <td>17" (432mm)</td> </tr> <tr> <td>Max. Mantel Depth</td> <td>D</td> <td>13" (330mm)</td> </tr> <tr> <td>Alcove Width</td> <td>E</td> <td>84" (1524mm)</td> </tr> <tr> <td>Alcove Depth</td> <td>F</td> <td>36" (2134mm)</td> </tr> </table> <p>DOOR SEAL: Please check that the door is properly sealed</p> <p><small>(See Instruction Manual for detailed instructions)</small></p>	Side Walls	A	8" (203mm)	Ceiling	B	22" (559mm)	Min. Mantel Height	C	17" (432mm)	Max. Mantel Depth	D	13" (330mm)	Alcove Width	E	84" (1524mm)	Alcove Depth	F	36" (2134mm)
Minimum supply pressure	5.0" WC/C.E.	(1.25 kPa)																																				
Manifold pressure	3.5" WC/C.E.	(0.87 kPa)																																				
Orifice size	#40	DMS																																				
Maximum input	26,000 Btu/h	(7.61 kW)																																				
Minimum input	18,000 Btu/h	(5.28 kW)																																				
Altitude	0-4500 ft/l	(0-1372 m)																																				
Side Walls	A	8" (203mm)																																				
Ceiling	B	22" (559mm)																																				
Min. Mantel Height	C	17" (432mm)																																				
Max. Mantel Depth	D	13" (330mm)																																				
Alcove Width	E	84" (1524mm)																																				
Alcove Depth	F	36" (2134mm)																																				
<p>PROPANE GAS: Model HZ40E-LP</p> <table border="0" style="width: 100%;"> <tr> <td>Minimum supply pressure</td> <td>11" WC</td> <td>(2.73 kPa)</td> </tr> <tr> <td>Manifold pressure</td> <td>10" WC/C.E.</td> <td>(2.49 kPa)</td> </tr> <tr> <td>Orifice size</td> <td>#53</td> <td>DMS</td> </tr> <tr> <td>Maximum input</td> <td>25,500 Btu/h</td> <td>(7.47 kW)</td> </tr> <tr> <td>Minimum input</td> <td>21,000 Btu/h</td> <td>(6.15 kW)</td> </tr> <tr> <td>Altitude</td> <td>0-4500 ft/l</td> <td>(0-1372 m)</td> </tr> </table>	Minimum supply pressure	11" WC	(2.73 kPa)	Manifold pressure	10" WC/C.E.	(2.49 kPa)	Orifice size	#53	DMS	Maximum input	25,500 Btu/h	(7.47 kW)	Minimum input	21,000 Btu/h	(6.15 kW)	Altitude	0-4500 ft/l	(0-1372 m)	<p>ÉQUIPÉ A L'USINE POUR GAZ PROPANE CONCU POUR ETRE POELE: Modèle HZ40E-LP</p> <p>Pression d'alimentation minimum Pression à la tubulure d'échappement élevée Grandeur de l'injecteur Débit Calorifique maximum selon l'altitude</p>																			
Minimum supply pressure	11" WC	(2.73 kPa)																																				
Manifold pressure	10" WC/C.E.	(2.49 kPa)																																				
Orifice size	#53	DMS																																				
Maximum input	25,500 Btu/h	(7.47 kW)																																				
Minimum input	21,000 Btu/h	(6.15 kW)																																				
Altitude	0-4500 ft/l	(0-1372 m)																																				
<p>This appliance must be installed in accordance with local codes, if any; if none, follow the National Fuel Gas Code, ANSI Z223.1, or Natural Gas and Propane Installation Code, CSA B149.1. This appliance must be installed in accordance with the Standard CAN/CSA Z240 MH, Mobile Housing, in Canada, or with the Manufactured Home Construction and Safety Standard, Title 24 CFR, Part 3280, in the United States, or when such a standard is not applicable, ANSI/NCSCS A225.1/NFPA 501A, Manufactured Home Installations Standard or ANSI A119.2 or NFPA 501C Standard for Recreational Vehicles. This appliance is only for use with the type of gas indicated on the rating plate and may be installed in an aftermarket, permanently located, manufactured (mobile) home where not prohibited by local codes. See owner's manual for details. This appliance is not convertible for use with other gases, unless a certified kit is used.</p> <p>Installer l'appareil selon les codes ou règlements locaux, ou, en l'absence de tels règlements, selon les codes d'installations ANSI Z223.1, National Fuel Gas Code ou CSA-B149.1 en vigueur. Installer l'appareil selon la norme CAN/CSA-Z240, Série MM, Maison mobiles ou CAN/CSA-Z240 VC, Véhicules de camping, ou la norme 24 CFR Part 3280, Manufactured Home Construction and Safety Standard. Si ces normes ne sont pas pertinentes, utilisez la norme ANSI/NCSCS A225.1/NFPA 501A, Manufactured Home Installations Standard, ou ANSI A119.2 ou NFPA 501C Standard for Recreational Vehicles.</p> <p>Cet appareil doit être utilisé uniquement avec le type de gaz indiqué sur la plaque signalétique. Cet appareil peut être installé dans une maison préfabriquée ou mobile (É.-U. seulement) installée à demeure si les règlements locaux le permettent. Voir la notice de l'utilisateur pour plus de renseignements. Cet appareil n'est pas convertible pour une utilisation avec d'autres gaz, sauf si une trousse certifiée est utilisée.</p> <p>This vented gas fireplace heater is not for use with air filters. Ne pas utiliser de filtre à air avec ce foyer au gaz à évacuation.</p> <p>FOR USE WITH GLASS DOORS CERTIFIED WITH THE APPLIANCE ONLY POUR UTILISATION UNIQUEMENT AVEC LES PORTES EN VERRE CERTIFIÉES AVEC L'APPAREIL</p>																																						
Fan (Part # 256-917) Electrical supply / Électrique 115VAC, 1.13 A, 60Hz. NOT FOR USE WITH SOLID FUELS. / NE PAS UTILISER AVEC DU COMBUSTIBLE SOLIDE.		Made in Canada/ Fabriqué au Canada FPI Fireplace Products International Ltd. Delta, BC, Canada 918-983																																				

For the State of Massachusetts, installation and repair must be done by a plumber or gasfitter licensed in the Commonwealth of Massachusetts.

For the State of Massachusetts, flexible connectors shall not exceed 36 inches in length.

For the State of Massachusetts, the appliances individual manual shut-off must be a t-handle type valve.

The State of Massachusetts requires the installation of a carbon monoxide alarm in accordance with NFPA 720 and a CO alarm with battery back up in the same room where the gas appliance is installed.

MA Code - CO Detector (for the State of Massachusetts only)

5.08: Modifications to NFPA-54, Chapter 10

(2) Revise 10.8.3 by adding the following additional requirements:

(a) For all side wall horizontally vented gas fueled equipment installed in every dwelling, building or structure used in whole or in part for residential purposes, including those owned or operated by the Commonwealth and where the side wall exhaust vent termination is less than seven (7) feet above finished grade in the area of the venting, including but not limited to decks and porches, the following requirements shall be satisfied:

1. **INSTALLATION OF CARBON MONOXIDE DETECTORS.** At the time of installation of the side wall horizontal vented gas fueled equipment, the installing plumber or gasfitter shall observe that a hard wired carbon monoxide detector with an alarm and battery back-up is installed on the floor level where the gas equipment is to be installed. In addition, the installing plumber or gasfitter shall observe that a battery operated or hard wired carbon monoxide detector with an alarm is installed on each additional level of the dwelling, building or structure served by the side wall horizontal vented gas fueled equipment. It shall be the responsibility of the property owner to secure the services of qualified licensed professionals for the installation of hard wired carbon monoxide detectors

a. In the event that the side wall horizontally vented gas fueled equipment is installed in a crawl space or an attic, the hard wired carbon monoxide detector with alarm and battery back-up may be installed on the next adjacent floor level.

b. In the event that the requirements of this subdivision can not be met at the time of completion of installation, the owner shall have a period of thirty (30) days to comply with the above requirements; provided, however, that during said thirty (30) day period, a battery operated carbon monoxide detector with an alarm shall be installed.

2. **APPROVED CARBON MONOXIDE DETECTORS.** Each carbon monoxide detector as required in accordance with the above provisions shall comply with NFPA 720 and be ANSI/UL 2034 listed and IAS certified.

3. **SIGNAGE.** A metal or plastic identification plate shall be permanently mounted to the exterior of the building at a minimum height of eight (8) feet above grade directly in line with the exhaust vent terminal for the horizontally vented gas fueled heating appliance or equipment. The sign shall read, in print size no less than one-half (1/2) inch in size, "**GAS VENT DIRECTLY BELOW. KEEP CLEAR OF ALL OBSTRUCTIONS**".

4. **INSPECTION.** The state or local gas inspector of the side wall horizontally vented gas fueled equipment shall not approve the installation unless, upon inspection, the inspector observes carbon monoxide detectors and signage installed in accordance with the provisions of 248 CMR 5.08(2)(a)1 through 4.

(b) **EXEMPTIONS:** The following equipment is exempt from 248 CMR 5.08(2)(a)1 through 4:

1. The equipment listed in Chapter 10 entitled "Equipment Not Required To Be Vented" in the most current edition of NFPA 54 as adopted by the Board; and

2. Product Approved side wall horizontally vented gas fueled equipment installed in a room or structure separate from the dwelling, building or structure used in whole or in part for residential purposes.

(c) **MANUFACTURER REQUIREMENTS - GAS EQUIPMENT VENTING SYSTEM PROVIDED.** When the manufacturer of Product Approved side wall horizontally vented gas equipment provides a venting system design or venting system components with the equipment, the instructions provided by the manufacturer for installation of the equipment and the venting system shall include:

1. Detailed instructions for the installation of the venting system design or the venting system components; and

2. A complete parts list for the venting system design or venting system.

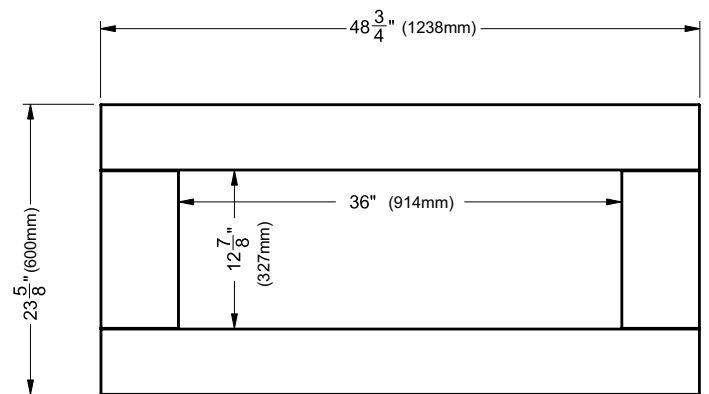
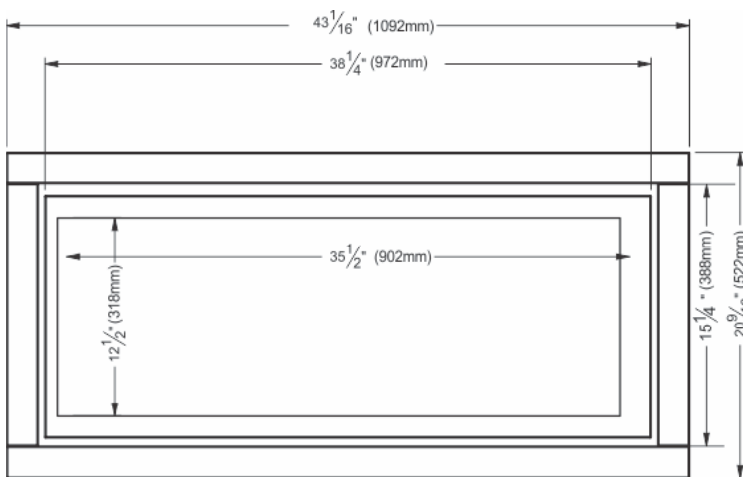
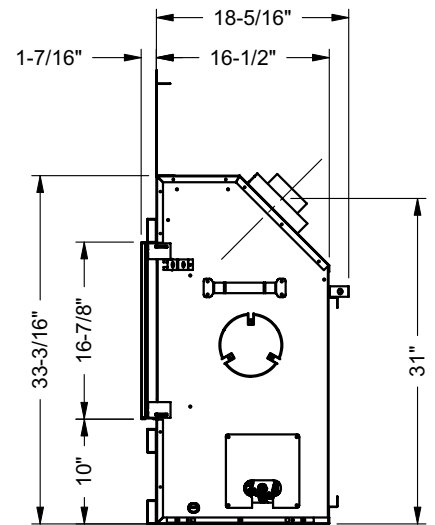
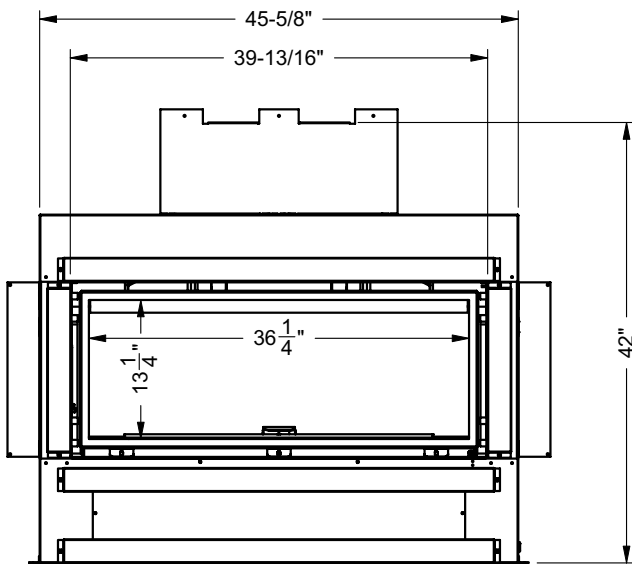
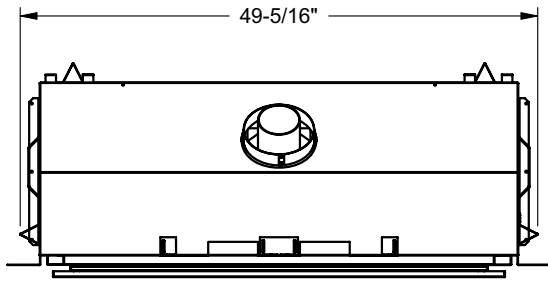
(d) **MANUFACTURER REQUIREMENTS - GAS EQUIPMENT VENTING SYSTEM NOT PROVIDED.** When the manufacturer of a Product Approved side wall horizontally vented gas fueled equipment does not provide the parts for venting the flue gases, but identifies "special venting systems", the following requirements shall be satisfied by the manufacturer:

1. The referenced "special venting system" instructions shall be included with the appliance or equipment installation instructions; and

2. The "special venting systems" shall be Product Approved by the Board, and the instructions for that system shall include a parts list and detailed installation instructions.

(e) A copy of all installation instructions for all Product Approved side wall horizontally vented gas fueled equipment, all venting instructions, all parts lists for venting instructions, and/or all venting design instructions shall remain with the appliance or equipment at the completion of the installation.

DIMENSIONS



INSTALLATION

IMPORTANT MESSAGE SAVE THESE INSTRUCTIONS

The Gas Fireplace must be installed in accordance with these instructions. Carefully read all the instructions in this manual first. Consult the "authority having jurisdiction" to determine the need for a permit prior to starting the installation. It is the responsibility of the installer to ensure this fireplace is installed in compliance with manufacturers instructions and all applicable codes.

BEFORE YOU START

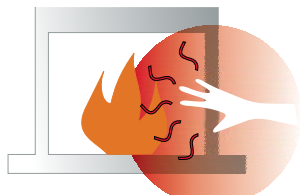
Safe installation and operation of this appliance requires common sense, however, we are required by the Canadian Safety Standards and ANSI Standards to make you aware of the following:

INSTALLATION AND REPAIR SHOULD BE DONE BY AN AUTHORIZED SERVICE PERSON. THE APPLIANCE SHOULD BE INSPECTED BEFORE USE AND AT LEAST ANNUALLY BY A PROFESSIONAL SERVICE PERSON. MORE FREQUENT CLEANING MAY BE REQUIRED DUE TO EXCESSIVE LINT FROM CARPETING, BEDDING MATERIAL, ETC. IT IS IMPERATIVE THAT CONTROL COMPARTMENTS, BURNERS AND CIRCULATING AIR PASSAGEWAYS OF THE APPLIANCE BE KEPT CLEAN.

DUE TO HIGH TEMPERATURES, THE APPLIANCE SHOULD BE LOCATED OUT OF TRAFFIC AND AWAY FROM FURNITURE AND DRAPERIES.

WARNING: FAILURE TO INSTALL THIS APPLIANCE CORRECTLY WILL VOID YOUR WARRANTY AND MAY CAUSE A SERIOUS HOUSE FIRE.

CHILDREN AND ADULTS SHOULD BE ALERTED TO THE HAZARDS OF HIGH SURFACE TEMPERATURES, ESPECIALLY THE FIREPLACE GLASS, AND SHOULD STAY AWAY TO AVOID BURNS OR CLOTHING IGNITION.



YOUNG CHILDREN SHOULD BE CAREFULLY SUPERVISED WHEN THEY ARE IN THE SAME AREA AS THE APPLIANCE. TODDLERS, YOUNG CHILDREN AND OTHERS MAY BE SUSCEPTIBLE TO ACCIDENTAL CONTACT BURNS. A PHYSICAL BARRIER IS RECOMMENDED IF THERE ARE AT RISK INDIVIDUALS IN THE HOUSE. TO RESTRICT ACCESS TO A FIREPLACE OR STOVE, INSTALL AN ADJUSTABLE SAFETY GATE TO KEEP TODDLERS, YOUNG CHILDREN AND OTHER AT RISK INDIVIDUALS OUT OF THE ROOM AND AWAY FROM HOT SURFACES.

CLOTHING OR OTHER FLAMMABLE MATERIAL SHOULD NOT BE PLACED ON OR NEAR THE APPLIANCE.

GENERAL SAFETY INFORMATION

- 1) The appliance installation must conform with local codes or, in the absence of local codes, with the current Canadian or National Gas Codes, CAN1-B149 or ANSI Z223.1 Installation Codes.
- 2) The appliance when installed, must be electrically grounded in accordance with local codes, or in the absence of local codes with the current National Electrical Code, ANSI/NFPA 70 or CSA C22.1 Canadian Electrical Code.
- 3) See general construction and assembly instructions. The appliance and vent should be enclosed.
- 4) This appliance must be connected to the specified vent and termination cap to the outside of the building envelope. Never vent to another room or inside a building. Make sure that the vent is fitted as per Venting instructions.
- 5) Inspect the venting system annually for blockage and any signs of deterioration.
- 6) Venting terminals shall not be recessed into a wall or siding.
- 7) Any safety glass removed for servicing must be replaced prior to operating the appliance.
- 8) To prevent injury, do not allow anyone who is unfamiliar with the operation to use the fireplace.
- 9) Wear gloves and safety glasses for protection while doing required maintenance.
- 10) Be aware of electrical wiring locations in walls and ceilings when cutting holes for termination.

- 11) Under no circumstance should this appliance be modified. Parts that have to be removed for servicing should be replaced prior to operating this appliance.
- 12) Installation and any repairs to this appliance should be done by a qualified service person. A professional service person should be called to inspect this appliance annually. Make it a practice to have all of your gas appliances checked annually.
- 13) Do not slam shut or strike the glass door.
- 14) Under no circumstances should any solid fuels (wood, paper, cardboard, coal, etc.) be used in this appliance.
- 15) The appliance area must be kept clear and free of combustible materials, (gases and other flammable vapours and liquids).

Emissions from burning wood or gas could contain chemicals known to the State of California to cause cancer, birth defects or other reproductive harm.

INSTALLATION CHECKLIST

- 1) Locate appliance
 - a) Room location (Refer to "Locating Your Gas fireplace" section)
 - b) Clearances to Combustibles (Refer to "Clearances" section)
 - c) Mantle Clearances (Refer to "Mantle Clearances" section)
 - d) Framing & Finishing Requirements (Refer to "Framing & Finishing" section)
 - e) Venting Requirements (Refer to "Venting" section)
- 2) Position nailing strips (Refer to "Unit Assembly Prior to Installation).
- 3) Slide unit into place.
- 4) Remove installation access panel.
- 5) Install vent (Refer to "Venting Arrangement" sections).
- 6) Make gas connections (Refer to "Gas Line Installation section).
- 7) Make electrical connections to receptacle supplied with unit (recommended).
- 8) Wall Mounted ON/OFF Switch: Use the toggle wall switch supplied with the manual package. Use of a "decor" switch causes higher resistance which is a problem on gas fireplaces.
- 9) Install 4 AA batteries into wall mounted battery box receptacle on wall.
- 10) Test the pilot (Refer to "Pilot Adjustment" section).
- 11) Test Gas Pressure (Refer to "Gas Pipe Pressure Testing" section).
- 12) Install standard and optional features. Refer to the following sections:
 - a) Glass Crystals/ Optional Ceramic Stones
 - b) Optional Firebox Base Pebbles
 - c) Optional Reflective Panels
 - d) Optional Fan
 - e) Faceplate
 - f) Remote Control or Wall Thermostat and 10ft. wire harness.
- 13) Reinstall installation access panel.
- 14) Final check.

This includes:

- 1) Locking the appliance to ensure the correct firing rate (rate noted on label 26,000 Btu/h (NG), 25,500 Btu/h (LP) after burning appliance for 15 minutes.
- 2) If required, adjusting the primary air to ensure that the flame does not carbon. First allow the unit to burn for 15-20 min. to stabilize.

CAUTION: Any alteration to the product that causes sooting or carboning that results in damage is not the responsibility of the manufacturer.

LOCATING YOUR GAS FIREPLACE

- 1) When selecting a location for your fireplace, ensure that the clearances are met.
- 2) The appliance must be installed on a flat, solid, continuous surface For example a wood, metal or concrete floor or in a raised (on the wall) application. The appliance must be installed on a metal or wood panel extending the full width and depth of the appliance.
- 3) The HZ40E Direct Vent Gas Fireplace can be installed in a recessed position or framed out into the room as in A, B, C and D. See Diagram 1.

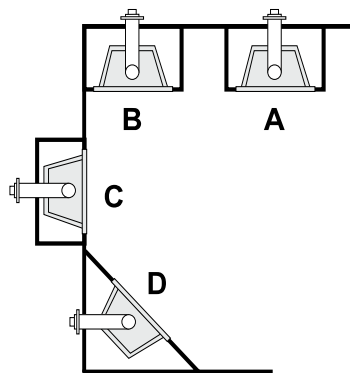


Diagram 1

- A) Flat on Wall
- B) Flat on Wall Corner
- C) Recessed into Wall/Alcove
- D) Corner

- 4) This appliance is Listed for bedroom installations using the standard Remote (thermostat system). Some areas may have further requirements, check local codes before installation.
- 5) The HZ40E Direct Vent Gas Fireplace is approved for alcove installations, see "Clearances" section for details.
- 6) We recommend that you plan your installation on paper using exact measurements for clearances and floor protection before actually installing this appliance. Have an authorized inspector, dealer, or installer review your plans before installation.

Note: For vent terminations refer to "Exterior Vent Termination Locations" section.



HEATWAVE DUCT SYSTEM OPTIONAL KIT #946-556

The **HeatWave** Air Duct Kit increases the effectiveness of your fireplace by dispersing warm air from the fireplace to remote locations in the same room or other rooms in your home.

Up to two kits may be installed on the fireplace.

Please Note: Only 1 HeatWave kit may be operated at one time. This includes the internal blower option as well.



The **HeatWave** Duct Kit has different clearance and framing requirements, check the **HeatWave** manual for details.

OPTIONAL HEAT RELEASE KIT #946-570

The Heat Release Kit expels warm air from the fireplace to the outside of the building, allowing the fireplace to be operated with less heat entering the room. The kit may be used on either the left or right side.

CLEARANCES

The clearances listed below are Minimum distances unless otherwise stated:

A major cause of chimney related fires is failure to maintain required clearances (air space) to combustible materials. It is of the greatest importance that this fireplace and vent system be installed only in accordance with these instructions.

Caution Requirements

The top, back and sides of the fireplace are defined by standoffs. The metal ends of the standoff may **NOT** be recessed into combustible construction.

WARNING

Fire hazard is an extreme risk if these clearances (air space) to combustible materials are not adhered to. It is of greatest importance that this fireplace and vent system be installed only in accordance with these instructions.



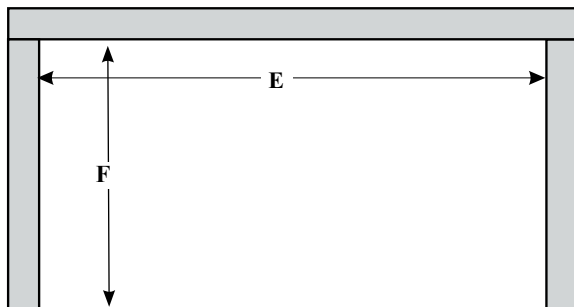
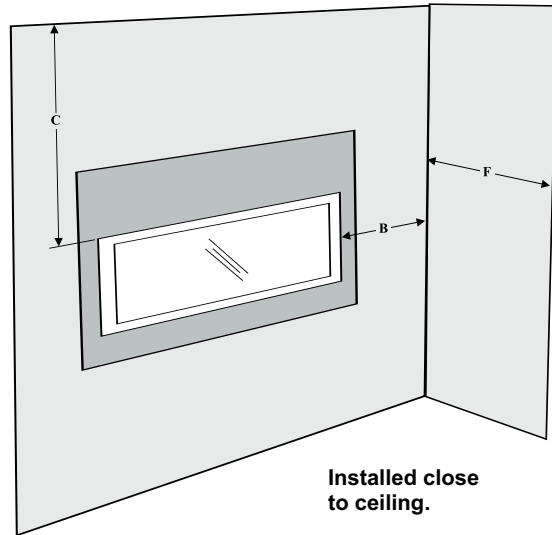
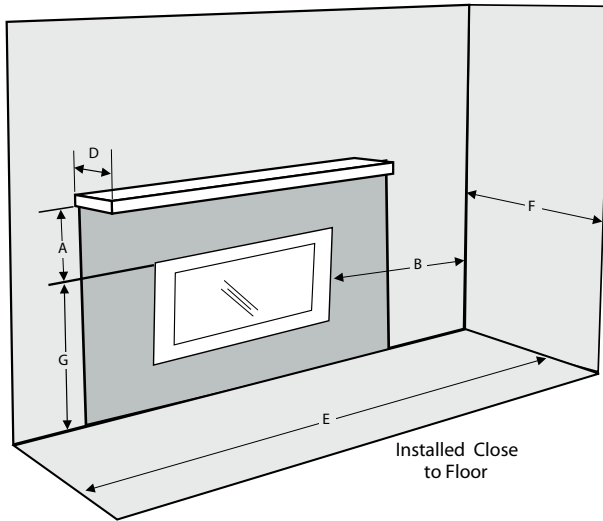
The **HeatWave** Duct Kit and the Heat Release Kit have different clearance and framing requirements, check the **HeatWave** and Heat Release manual for details.

Heat Release Kit

Clearance:	Dimension	Measured From:
A: Mantel Height (min.)	17" (330mm)	Top of Fireplace Opening
B: Sidewall (on one side)	8" (203mm)	Side of Fireplace Opening
C: Ceiling (room and/or alcove)	22" (559mm)	Top of Fireplace Opening
D: Mantel Depth (max.)	13" (330mm)	22" Above Fireplace Opening
E: Alcove Width	84" (2134mm)	Sidewall to Sidewall (Minimum)
F: Alcove Depth	36" (914mm)	Front to Back Wall (Maximum)
G: From Floor	27" (686mm)	Top of Fireplace Opening
Note:	0"	No hearth required

Flue Clearances to Combustibles

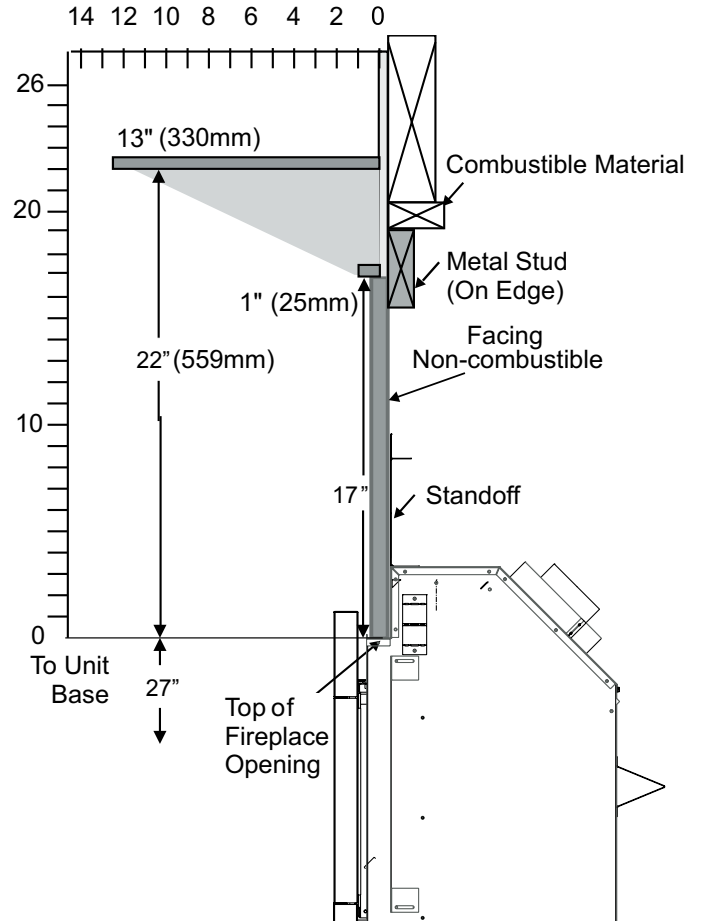
Horizontal - Top	3"
Horizontal - Side	2"
Horizontal - Bottom	2"
Vertical	2"
Passing through wall/floor/ceiling - when firestop is used.	1-1/2"



MANTEL CLEARANCES

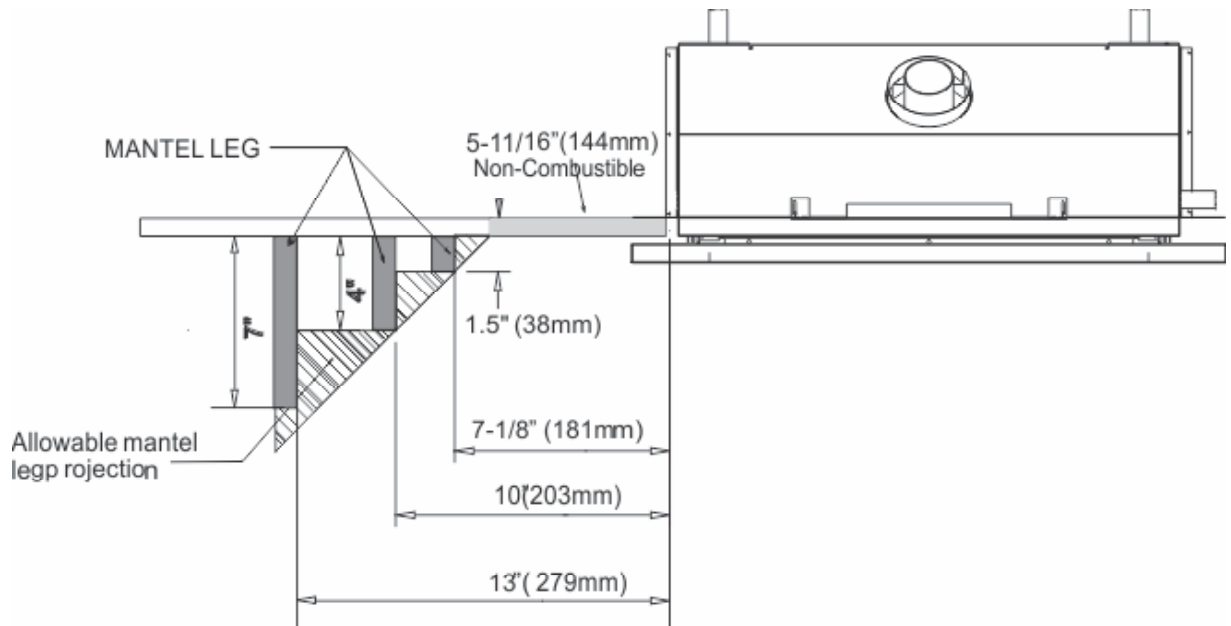
Due to the extreme heat this fireplace emits, the mantel clearances are critical. Combustible mantel clearances from top of front facing are shown in the diagram on the right.

Note: Ensure the paint that is used on the mantel and the facing is "high quality" or the paint may discolour.



MANTEL LEG CLEARANCES

Combustible mantel leg clearances as per diagram:



INSTALLATION

UNIT ASSEMBLY PRIOR TO INSTALLATION

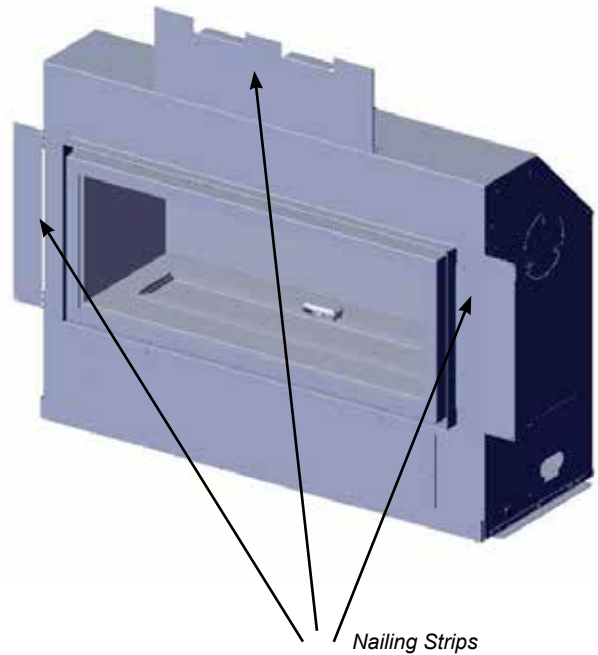
The nailing Strips must be correctly positioned and attached before unit is slid into position.

NAILING STRIPS

The nailing strips come attached to the unit. There is 1 plate on each side, 1 on the top, and one on the bottom that can be folded out as required. The top and side nailing strips are secured to the framing. The bottom nailing strip is secured to the unfinished floor - if installing the unit directly on the floor.

IMPORTANT NOTE

Framing depth measurement is noted with the nailing strips set as far forward on the firebox as possible. The nailing strips can be adjusted back up to 1-1/2" to allow for varying thicknesses in non-combustible material & wall finishes.

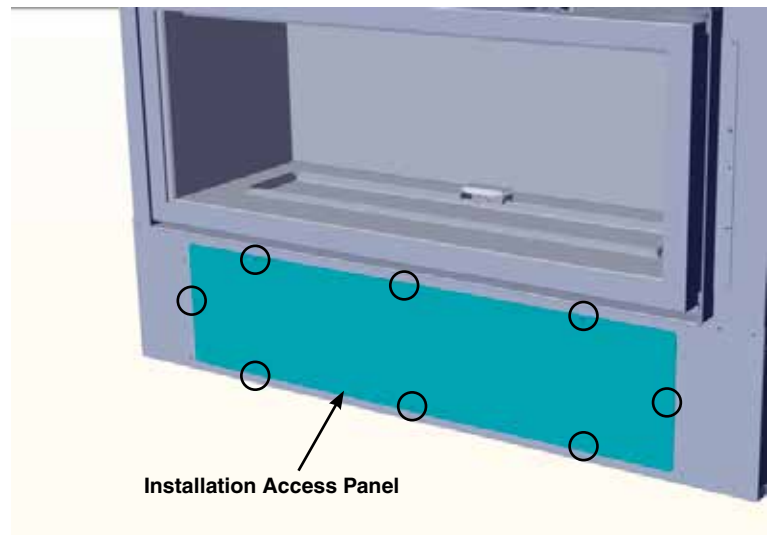


INSTALLATION ACCESS PANEL

The unit is equipped with a removable access panel for pre-finish installation of optional components - this panel is located on the lower front face.

- 1) Remove 8 screws to remove access panel.
- 2) Easier access to gas connection with panel removed.
- 3) Install any optional components with access panel removed.
- 4) Reinstall access panel with 2 screws - prior to installing any facing material

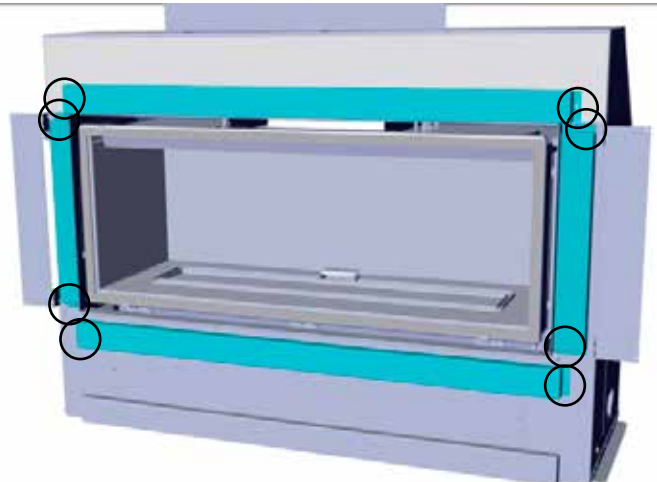
Note: Access panel is no longer usable once facing material installed.



FRONT FACE NAILING STRIP INSTALLATION

Required when the combined facing/finishing material is 1/2". If using material which is thicker than 1/2", the nailing strips do not need to be used and can be discarded

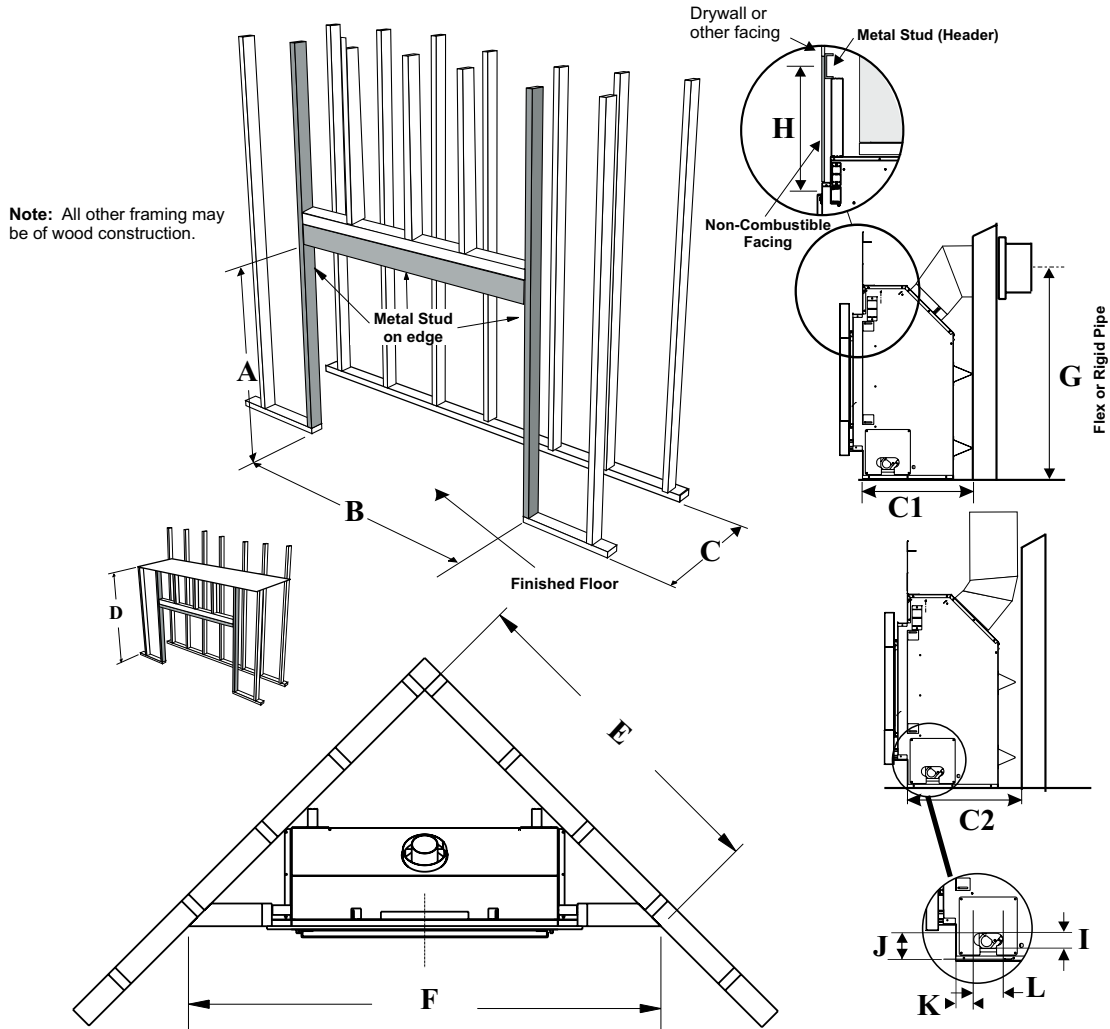
- 1) Position the front nailing strips in locations shown on right.
- 2) Secure each nailing strip with 2 screws each.
- 3) Follow instructions on non-combustible facing installation for pre-drilling holes prior to attaching the noncombustible material supplied with this unit.
- 4) The side/top nailing strips which are attached to this unit will also need to be adjusted. See Framing and finishing in this manual.



FRAMING DIMENSIONS

Framing Dimensions	Description	HZ40E
A	Framing Height	42" (1067mm)
B	Framing Width	49-7/8" (1266mm)
C*	Framing Depth*	C1 Horizontal Vent 19-7/16" (495mm) C2 Vertical Vent 23-7/16" (596mm) Vertical rise -terminating horizontal
D	Minimum Height to Combustibles	43-7/8" (1004mm)
E	Corner Wall Depth	56" (1422mm)
F	Corner Facing Wall Width	79" (2007mm)
G	Vent Centerline Height	36 - 1/4" (921mm)
H	Non-combustible facing height	17" (432mm)
I	Gas Connection Opening Height	2" (51mm)
J	Gas Connection Height	4 - 3/16" (106mm)
K	Gas Connection Inset	8 - 5/16" (211mm)
L	Gas Connection Opening Width	3 - 1/2" (89mm)

* Framing depth measurement is noted with the nailing strips set as far forward on the firebox as possible. The nailing strips can be adjusted back up to 1" to allow for varying thicknesses in non-combustible material & wall finishes.



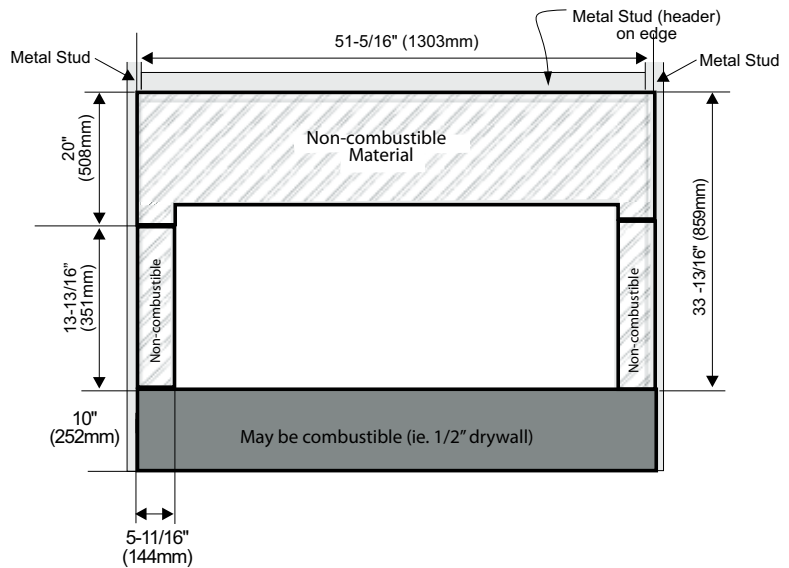
NON-COMBUSTIBLE REQUIREMENTS

All three pieces (top, 2 sides) are now supplied to meet the non combustible requirements. Previously only the top was supplied

Calcium silicate board is a high - grade material with cement, quartz, natural and selected minerals as the main raw materials. It is widely used for partitions and ceilings in buildings. It is fire proof and earthquake proof.

If finishing the wall above the unit with materials such as tile, brick, marble, etc. non-combustible board available from the building supply store can be used.

Note: Calcium Silicate is 1/2" thick



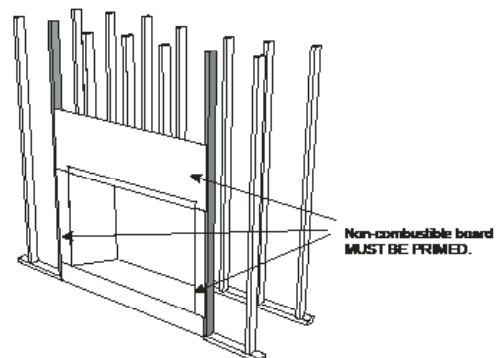
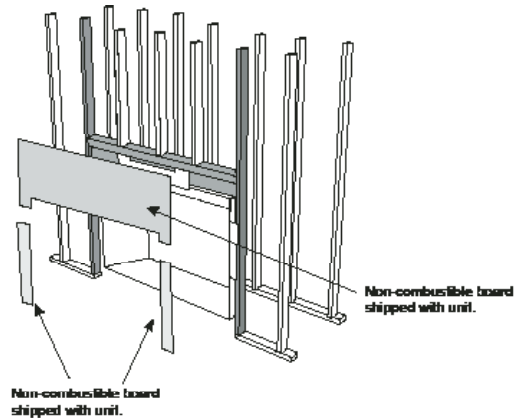
NON-COMBUSTIBLE FACING INSTALLATION

Caution: The non-combustible board supplied with this unit can be damaged if dropped or struck. **Handle with care.**

- 1) Using drywall screws - secure non combustible material around unit, framing and top nailing strip every 6 inches.

Important Note: To avoid cracking the board - pre-drill holes prior to securing to unit/ framing.

- 2) Wipe any debris/dust from the non combustible material and drywall.
- 3) Prior to taping and mudding it is highly recommended to prime the facing using a quality primer. This will ensure proper adhesion of both the tape and mud. The supplied board is very porous.
- 4) Tape the seams using a mesh type tape.
- 5) Mud seams as normal. We recommend using a product called Durabond high strength compound - for the first coat. This product can be found at any hardware store. Mud must be cured as per manufacturer's recommendations.
- 6) Prime wall for a second time for proper adhesion of paint
- 7) Paint walls using a high quality paint which will withstand the high temperatures being emitted from this appliance.



FRAMING & FINISHING

- 1) Frame in the enclosure for the unit with framing material.

IMPORTANT: The framed opening must be of non-combustible material.

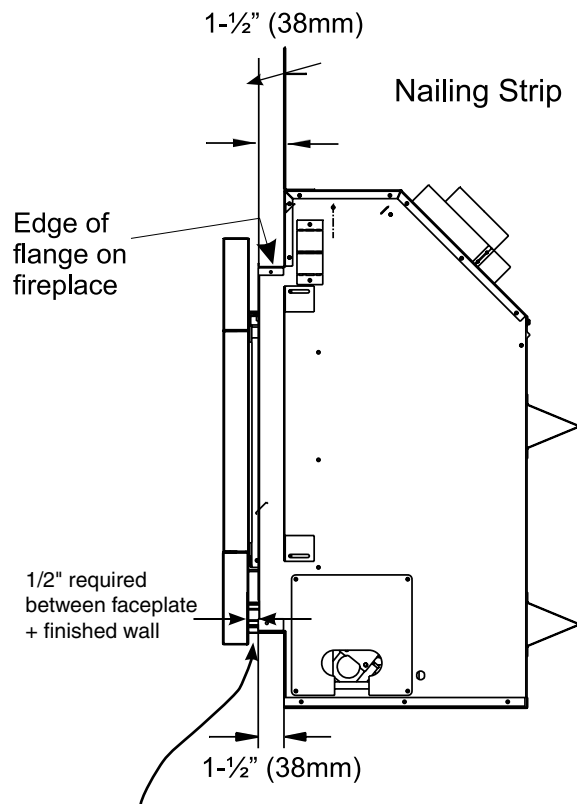
Note: When constructing the framed opening, please ensure there is access to install the gas lines when the unit is installed.

- 2) For exterior walls, insulate the enclosure to the same degree as the rest of the house, apply vapour barrier and drywall, as per local installation codes. (Do not insulate the fireplace itself.)

WARNING: Failure to insulate and add vapor barriers to the inside of the exterior wall will result in operational and performance problems including, but not limited to: excessive condensation on glass doors, poor flame package, carbon, blue flames etc. These are not product related issues.

- 3) The unit does not have to be completely enclosed in a chase. You must maintain clearances from the vent to combustible materials: See "Clearances" section. Combustible materials can be laid against the side and back standoffs and the stove base.

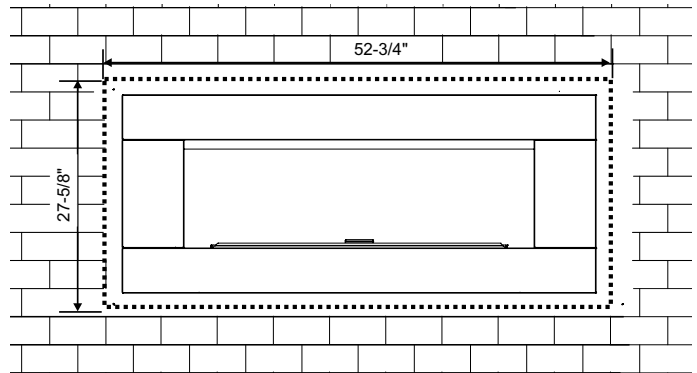
- 4) Non-combustible material (ie. tile, slate, etc) may be brought up to and overlap the unit (top and bottom) ensuring that the maximum thickness does not go beyond the 1-1/2" as shown in the diagram below. The faceplate will not be able to be mounted if finished material is beyond 1-1/2".



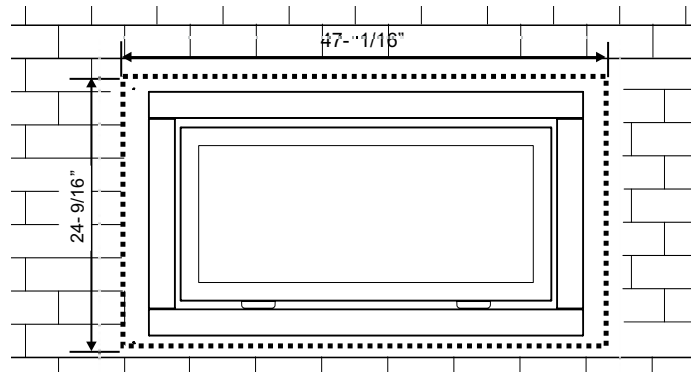
IMPORTANT: 1/2" gap required between faceplate and finished wall when using 4 pce. Faceplate (Part # 256-924, 256-926, 256-927)

- 5) If material such as brick, stone, etc extends past the faceplate depth (1-1/2"), when finishing around the faceplate, the minimum opening dimensions noted below must be adhered to ensuring for the removal of the faceplate and for the safe operation of this appliance.

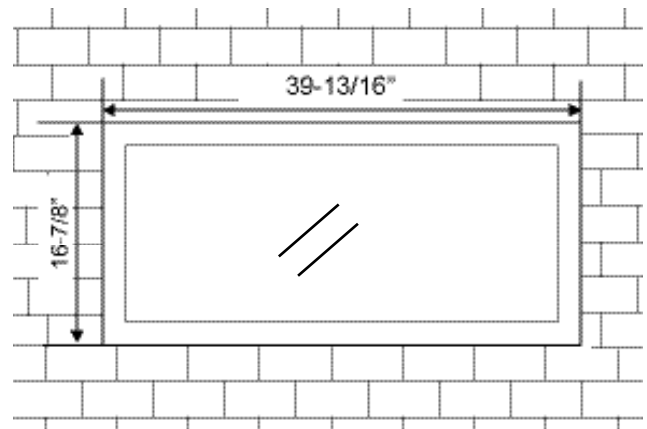
NOTE: Spacing of 1" around the completed surround must be adhered to.



Unit shown with 4 piece faceplate

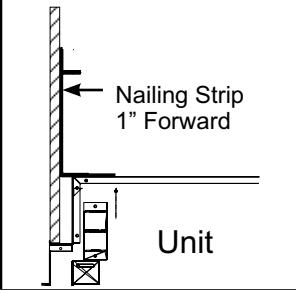
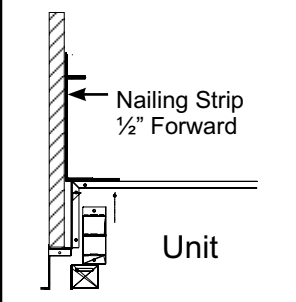
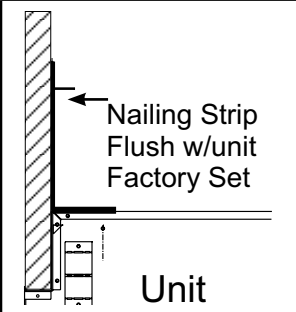


Unit shown with inner and outer door frame



Unit shown with inner door frame only

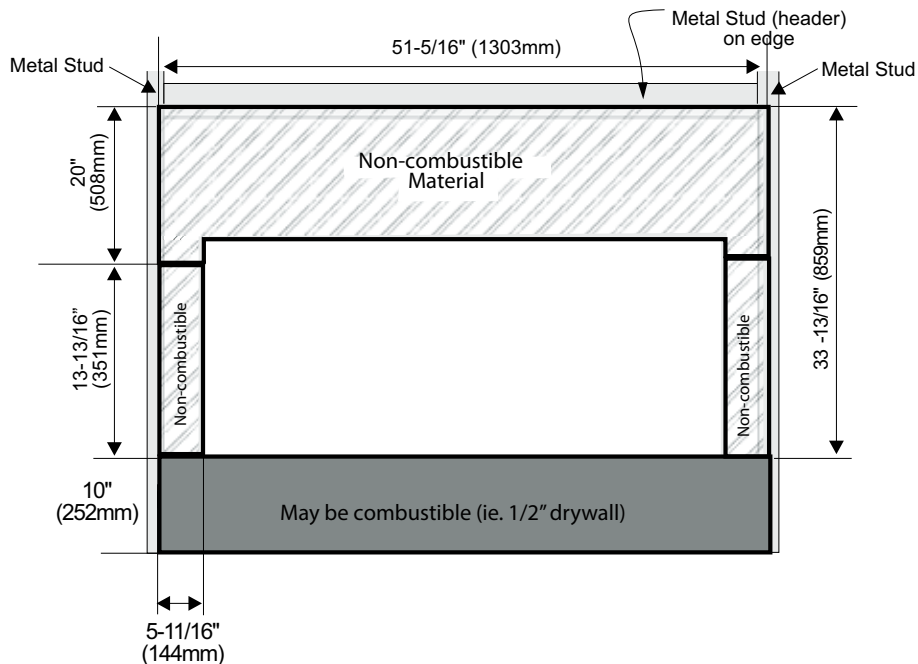
FRAMING & FINISHING

Finished Material	Nailing Strip Position	
1/2"	1"	 <p>Nailing Strip 1" Forward</p> <p>Unit</p>
1"	1/2"	 <p>Nailing Strip 1/2" Forward</p> <p>Unit</p>
1-1/2"	0" (flush)	 <p>Nailing Strip Flush w/unit Factory Set</p> <p>Unit</p>

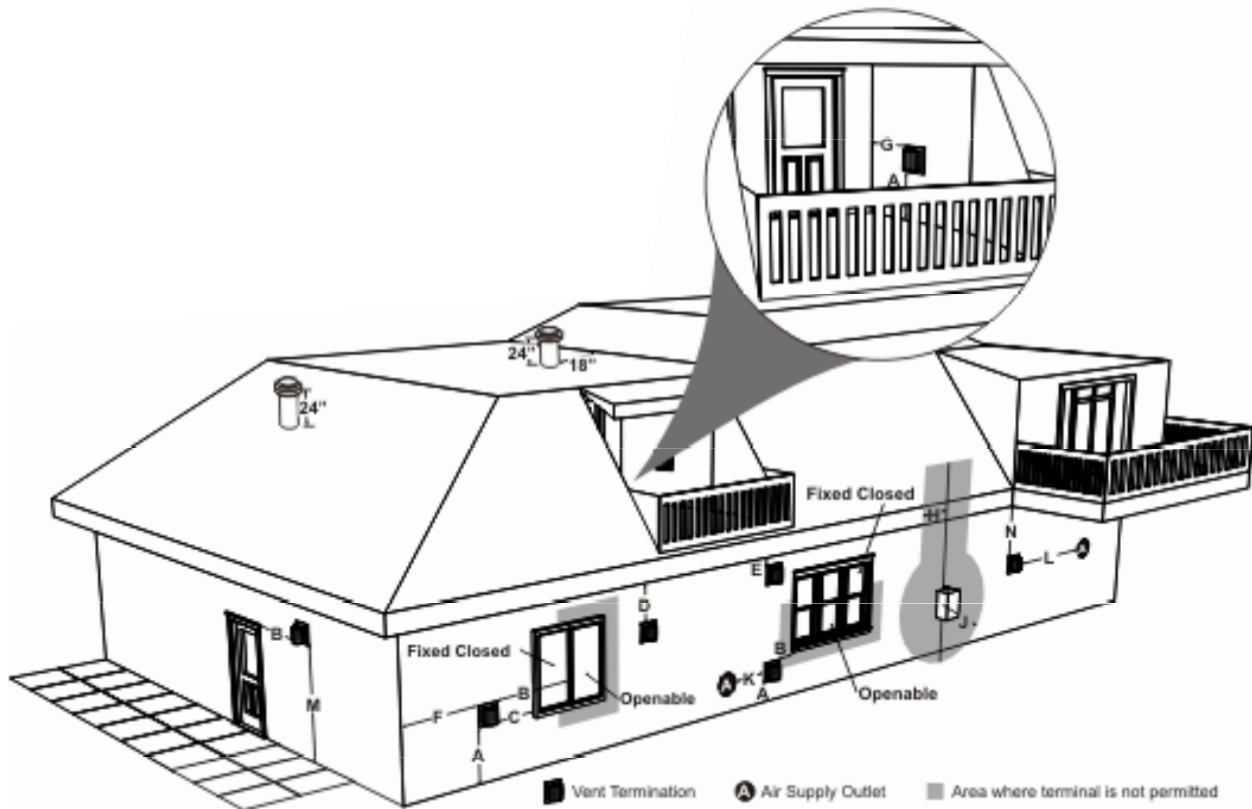
Note:

Depending on the material used for finishing, the nailing strips must be set accordingly so that the finished material is always at the 1-1/2" edge of the flange.

NON-COMBUSTIBLE REQUIREMENTS



EXTERIOR VENT TERMINATION REQUIREMENTS



	Minimum Clearance Requirements	Canada ¹	USA ²
A	Clearance above grade, veranda, porch, deck, or balcony	12"(30cm)	12"(30cm)
B	Clearance to window or door that may be opened	12"(30cm)	9" (23cm)
C	Clearance to permanently closed window	*	*
D	Vertical clearance to ventilated soffit located above the terminal within a horizontal distance of 2 feet (61cm) from the center line of the terminal (check with the local code)	19"(48cm)	19"(48cm)
E	Clearance to unventilated soffit	19"(48cm)	19"(48cm)
F	Clearance to outside corner: with AstroCap Termination Cap.	7"(18cm)	7"(18cm)
	Clearance to outside corner: with all other approved Termination Caps.	13"(33cm)	13"(33cm)
G	Clearance to inside corner: with AstroCap Termination Cap	7"(18cm)	7"(18cm)
	Clearance to inside corner: with all other approved Termination Caps.	13"(33cm)	13"(33cm)
H	Clearance to each side of center line extended above meter/regulator assembly	36"(90cm) ^a	*
J	Clearance to service regulator vent outlet	36"(90cm)	*
K	Clearance to non-mechanical air supply inlet to building or the combustion air inlet to any other appliance	12"(30cm)	9" (23cm)
L	Clearance to a mechanical air supply inlet #3' (91cm) above if within 10' (3m) horizontally.	72"(1.8m)	36"(90cm) ^b
M	Clearance above paved sidewalk or a paved driveway located on public property	84"(2.1m) [‡]	*
N	Clearance under veranda, porch, deck, or balcony	12"(30cm) [‡]	*

¹ In accordance with current CSA B149.1, *Natural Gas and Propane Installation Code*

² In accordance with the current ANSI Z223.1/NFPA 54, *National Fuel Gas Code*

[‡] A vent shall not terminate directly above a sidewalk or paved driveway which is located between two single family dwellings and serves both dwellings

[‡] Permitted only if veranda, porch, deck, or balcony is fully open on a minimum of two sides beneath the floor

* Clearance in accordance with local installation codes and the requirements of the gas supplier

^a 3 feet (91cm) within a height of 15 feet (4.5m) above the meter / regulator assembly

^b 3 feet (91cm) above - if within 10 feet (3m) horizontally

4" X 6-5/8" RIGID PIPE CROSS REFERENCE CHART ONLY

Components from different Manufacturers may not be mixed. Not All Rigid Pipe components are available directly from FPI.

Description	Simpson Direct Vent Pro®	Selkirk Direct Temp™	American Metal Products® Amerivent Direct	Metal-Fab™ Sure Seal	Security Secure-Vent®	ICC Excel Direct
6" Pipe Length-Galvanized	46DVA-06	4DT-6	N/A	4D6	SV4L6	TC-4DL6
6" Pipe Length-Black	46DVA-06B	4DT-6B	N/A	4D6B	SV4LB6	TC-4DL6B
7" Pipe Length-Galvanized	N/A	N/A	4D7	N/A	N/A	N/A
7" Pipe Length-Black	N/A	N/A	4D7B	N/A	N/A	N/A
9" Pipe Length-Galvanized	46DVA-09	4DT-9	N/A	N/A	N/A	TC-4DL9
9" Pipe Length-Black	46DVA-09B	4DT-9B	N/A	N/A	N/A	TC-4DL9B
12" Pipe Length-Galvanized	46DVA-12	4DT-12	4D12	4D12	SV4L12	TC-4DL1
12" Pipe Length-Black	46DVA-12B	4DT-12B	4D12B	4D12B	SV4LB12	TC-4DL1B
18" Pipe Length-Galvanized	46DVA-18	4DT-18	4D18	4D18	SV4LA	TC-4DL18
18" Pipe Length-Black	46DVA-18B	4DT-18B	4D18B	4D18B	SV4LA	TC-4DL18B
24" Pipe Length-Galvanized	46DVA-24	4DT-24	4D24	4D24	SV4L24	TC-4DL2
24" Pipe Length-Black	46DVA-24B	4DT-24B	4D24B	4D24B	SV4LB24	TC-4DL2B
36" Pipe Length-Galvanized	46DVA-36	4DT-36	4D36	4D36	SV4L36	TC-4DL3
36" Pipe Length-Black	46DVA-36B	4DT-36B	4D36B	4D36B	SV4LB36	TC-4DL3B
48" Pipe Length-Galvanized	46DVA-48	4DT-48	4D48	4D48	SV4L48	TC-4DL4
48" Pipe Length-Black	46DVA-48B	4DT-48B	4D48B	4D48B	SV4LB48	TC-4DL4B
60" Pipe Length-Galvanized	46DVA-60	4DT-60	N/A	N/A	N/A	N/A
60" Pipe Length-Black	46DVA-60B	4DT-60B	N/A	N/A	N/A	N/A

Adjustable Length 3"-10"-Galvanized	N/A	N/A	N/A	4DAL	N/A	TC-4DLT
Adjustable Length 3"-10"-Black	N/A	N/A	N/A	4DALB	N/A	TC-4DLTB
Adjustable Length 7"-Galvanized	N/A	N/A	4D7A	N/A	N/A	N/A
Adjustable Length 7"-Black	N/A	N/A	4D7AB	N/A	N/A	N/A
Extension Pipe 8-1/2"-Galvanized	46DVA-08A	N/A	N/A	N/A	N/A	N/A
Extension Pipe 8-1/2"-Black	46DVA-08AB	N/A	N/A	N/A	N/A	N/A
Adjustable Length 12"-Galvanized	N/A	N/A	4D12A	N/A	SV4LA12	TC-4dLSI
Adjustable Length 12"-Black	N/A	N/A	4D12A	N/A	SV4LBA12	TC-4dLSIB
Extension Pipe 16"-Galvanized	46DVA-16A	N/A	N/A	N/A	N/A	N/A
Extension Pipe 16"-Black	46DVA-16AB	N/A	N/A	N/A	N/A	N/A

45° Elbow-Galvanized	46DVA-E45	4DT-EL45	4D45L	N/A	N/A	TE-4DE45
45° Elbow-Black	46DVA-E45B	4DT-EL45B	4DT-EL45B	N/A	N/A	TE-4DE45B
45° Elbow Swivel-Galvanized	See 46DVA-E45	N/A	N/A	4D45L	SV4E45	N/A
45° Elbow Swivel-Black	See 46DVA-E45B	N/A	N/A	4D45LB	SV4EB45	N/A
90° Elbow-Galvanized	46DVA-E90	4DT-EL90S	4DT-EL90S	N/A	N/A	TE-4DE90
90° Elbow-Black	46DVA-E90B	4DT-EL90SB	4DT-EL90SB	N/A	SV4EB90-1	TE-4DE90B
90° Elbow, Swivel-Galvanized	See 46DVA-E90	N/A	N/A	4D90L	SV4E90-1	N/A
90° Elbow, Swivel-Black	See 46DVA-E90B	N/A	N/A	4D90LB	SV4EB90-1	N/A
90° Starter Elbow, Swivel-Galvanized	N/A	N/A	N/A	4D90A	N/A	N/A
Adaptor*	N/A	N/A	N/A	4D90L	N/A	N/A

Ceiling Support	N/A	4DT-CS	4DSP	4DFSP	SV4SD	TM4-RDS
Cathedral Support Box	46DVA-CS	4DT-CSS	4DRSB	4DRS	SV4CSB	TM4-SDS
Wall Support/Band	46DVA-WS	4DT-WS/B	4DWS	4DWS	SV4BM	TM-SWS
Offset Support	46DVA-ES - N/A from FPI	4DT-OS	N/A	N/A	SV4SU	TM-SOS
Wall Thimble-Black	46DVA-WT	4DT-WT	4DWT	4DWT	SV4RSM	N/A
Wall Thimble Support/Ceiling Support	46DVA-DC	N/A	N/A	N/A	SV4PF	N/A
Firestop Spacer	46DVA-FS	4DT-FS	4DFSP	4DFS	SV4BF	TM-4CS
Trim Plate-Black	N/A	4DT-TP	4DFPB	4DcP	SV4LA	TM-4TP

Description	Simpson Direct Vent Pro®	Selkirk Direct Temp™	American Metal Products® Amerivent Direct	Metal-Fab™ Sure Seal	Security Secure-Vent®	ICC Excel Direct
Attic Insulation Shield 12"	46DVA-IS N/A@ FPI	N/A	4DAIS12	N/A	SV4RSA	N/A
Attic Insulation Shield - Cold Climates 36"	N/A	N/A	4DAIS12	N/A	N/A	TM-4AS

Basic Horizontal Termination Kit (A)	Disc.	4DT-HKA	4DHTK2	4DHTKA	SV-SHK	TM4-HTK
Horizontal Termination Kit (B)	46DVA-KHA (Changed Components)	4DT-HKB	4DHTK1	4DHTKB	SV-HK	TM4-HTK
Vertical Termination Kit	Disc.	4DT-VKC	4DHTK	4DHTK	SV-FK	N/A

High Wind Vertical Cap	46DVA-VCH	N/A	N/A	N/A	N/A	TM-4VT
High Wind Horizontal Cap	46DVA-HC	N/A	N/A	N/A	N/A	TM-4DHT
Horizontal Square Termination Cap	46DVA-HC	4DT-HHC	4DHC	4DHT	SV4CHC-1	TM-4HT
Vertical Termination Cap	46DVA-VC	4DT-HVC	4DVC	4DVT	SV4CGV-1	N/A
Storm Collar	46DVA-SC	4DT-SC	4DSC	4DSC	SV4FC	TM-SC

Adjustable Flashing 0/12-6/12	46DVA-F12	4DT-ST14	4D12S	4DST14	SV4STC14	TF-4FA
Adjustable Flashing 6/12-12/12	46DVA-F12	4DT-ST36	4D36S	4DST36	SV4STC36	TF-4FB

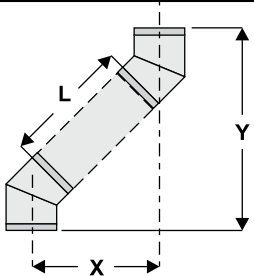
Vinyl Siding Standoff	46DVA-VSS	4DT-VS	N/A	4DVS	SV4VS	TM-VSS
Vinyl Siding Shield Plate	N/A	4DT-VSP	N/A	N/A	SV4VS	N/A

Snorkel Termination 14"	46DVA-SNK14	N/A	N/A	N/A	N/A	TM-4ST14
Snorkel Termination 36"	N/A	N/A	N/A	N/A	N/A	TM-4ST36

Restrictor Disk	N/A	N/A	N/A	N/A	N/A	N/A
Extended Vertical Termination Cap	N/A	N/A	N/A	N/A	N/A	N/A
Chimney Conversion Kit A (USA only)	N/A	N/A	N/A	N/A	N/A	N/A
Chimney Conversion Kit B (USA only)	N/A	N/A	N/A	N/A	N/A	N/A
Chimney Conversion Kit C (USA only)	N/A	N/A	N/A	N/A	N/A	N/A
Chimney Conversion Kit Masonry (USA only)	N/A	N/A	N/A	N/A	N/A	N/A
Wall Firestop	46DVA-WFS	N/A	N/A	N/A	N/A	TM-4TR
Colinear Flex Connectors	46DVA-ADF	N/A	N/A	N/A	N/A	N/A

FPI			
946-506/P	Vent Guard (Optional) for AstroCap	946-205	Vinyl Siding Shield for Riser Vent Terminal
510-994	Rigid Pipe Adaptor (Must use with all rigid piping)	946-208/P	Vent Guard (Optional) for Riser Vent Terminal
640-530/P	Riser Vent Terminal	946-523/P	AstroCap Horizontal Cap
		946-206	Vinyl Siding Standoff for AstroCap

Note: When using Metal-Fab Sure Seal Rigid Piping - please note that the Adaptor (4DDA) must be used in conjunction with FPI Rigid Pipe Adaptor (510-994).

Offset Pipe Selection: Use this table to determine offset pipe lengths.				
Pipe Length (L)	4" x 6-5/8" Venting			For specific instructions on venting components - visit the manufacturers website listed below. Simpson Direct Vent Pro: www.duravent.com Selkirk Direct-Temp: www.selkirkcorp.com American Metal Products: www.americanmetalproducts.com Metal-Fab Sure Seal: www.mtfab.com Security Secure Vent: www.securitychimneys.com Industrial Chimney Company: www.icc-rsf.com
	Run (X)	Rise (Y)		
0" (0mm)	4-7/8" (124mm)	13-7/8" (340mm)		
6" (152mm)	8" (203mm)	16-1/2" (419mm)		
9" (229mm)	10-1/8" (257mm)	18-5/8" (473mm)		
12" (305mm)	12-1/4" (311mm)	20-3/4" (527mm)		
24" (610mm)	20-5/8" (524mm)	29-1/8" (740mm)		
36" (914mm)	29" (737mm)	37-1/2" (953mm)		
48" (1219mm)	37-7/16" (951mm)	45-15/16" (1167mm)		

Note: Horizontal runs of vent must be level, or have a 1/4" rise for every 1 foot of run towards the termination.
Never allow the vent to run downward - this could cause high temperatures and may present a possible fire hazard.

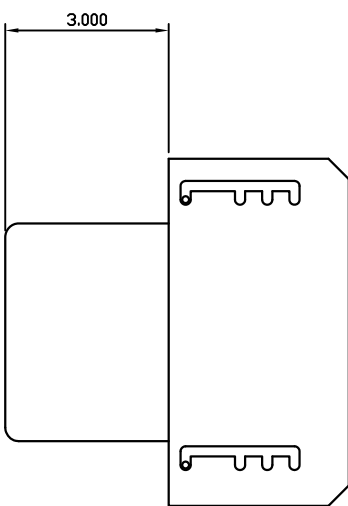
VENT RESTRICTOR POSITION

Vent restriction is required for certain venting installations, see the diagrams in the "Venting Arrangements" section to determine if they are required for your installation.

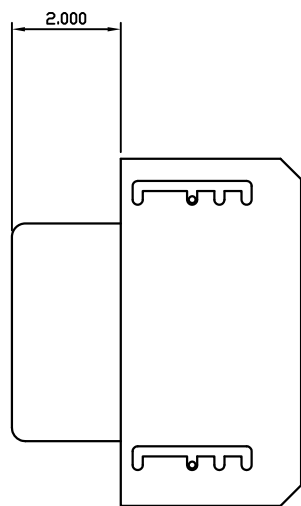
The Vent Restrictor plate is located on the inside top of the firebox.

To set the vent restriction as indicated in the venting arrangements diagrams, refer to the following instructions;

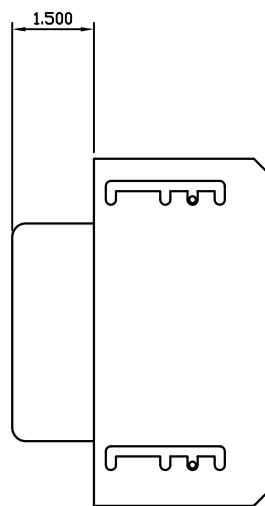
- 1) Remove the glass door - see instructions in this manual.
- 2) Remove the screws that hold the vent restrictor plate in place.
- 3) Adjust the vent restrictor plate to the required vent restrictor position as per the diagrams shown.
- 4) Once the vent restrictor plate is in the required position, secure with screws.



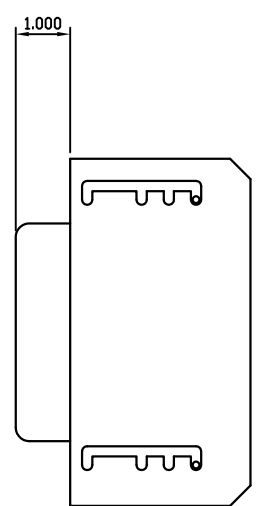
Set 0
(Factory set)
VENT RESTRICTOR
AT 3"



Set 1
VENT RESTRICTOR
AT 2"



Set 2
VENT RESTRICTOR
AT 1-1/2"



Set 3
VENT RESTRICTOR
AT 1"

VENTING INTRODUCTION

The HZ40E uses the "balanced flue" technology Co-Axial system. The inner liner vents products of combustion to the outside while the outer liner draws outside combustion air into the combustion chamber thereby eliminating the need to use heated room air for combustion and losing warm room air up the chimney.

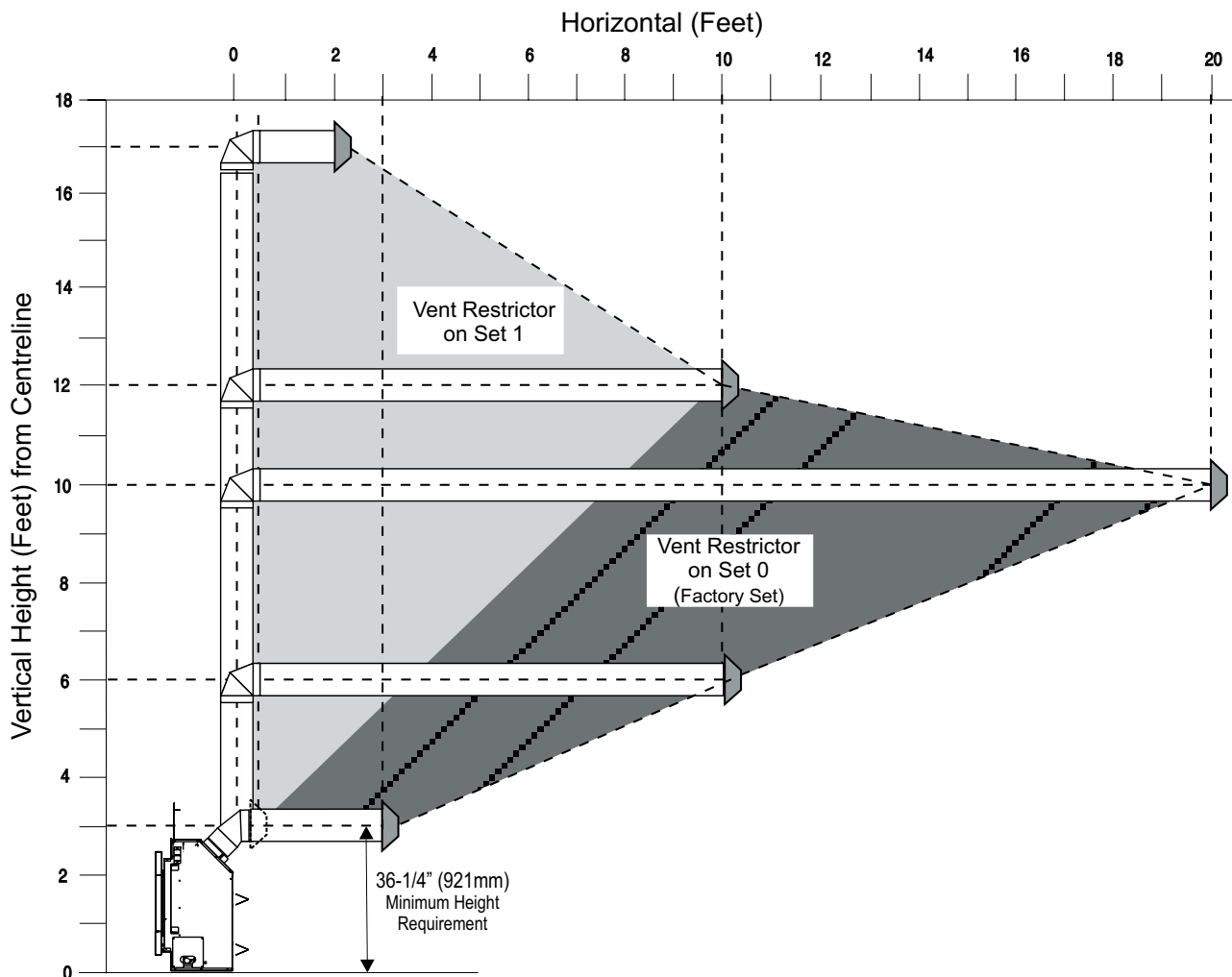
Note: These flue pipes must not be connected to any other appliance.

The gas appliance and vent system must be vented directly to the outside of the building, and never be attached to a chimney serving a separate solid fuel or gas burning appliance. Each direct vent gas appliance must use its own separate vent system. Common vent systems are prohibited.

VENTING ARRANGEMENT FOR HORIZONTAL TERMINATIONS

The diagram shows all allowable combinations of vertical runs with horizontal terminations, using one 90° (two 45° elbows equal one 90° elbow). (Not including the starting 45° elbow at the flue collar when using rigid venting.)

Note: Must use optional rigid pipe adapter (Part# 510-994) when using Rigid Pipe Venting Systems.



VENT RESTRICTOR SETTING:

Vent restrictor factory set at Set 0.

Refer to the "Vent Restrictor Position" section for details on how to change the vent restrictor from the factory setting of Set 0 to Set 1 if required.

Note: For horizontal terminations the Regency Direct Vent Flex System may be used for installations with a maximum continuous vent length of up to 10 feet. If longer runs are required, rigid pipe must be used.

- Maintain clearances to combustibles as listed in "Clearances" section
- Horizontal vent must be supported every 3 feet.
- Firestops are required at each floor level and whenever passing through a wall.
- A vent guard should be used whenever the termination is lower than the specified minimum or as per local codes.
- Flex system can only be used up to 10 feet - otherwise rigid venting must be used.

HORIZONTAL TERMINATIONS

FLEX VENT 4" X 6-7/8"

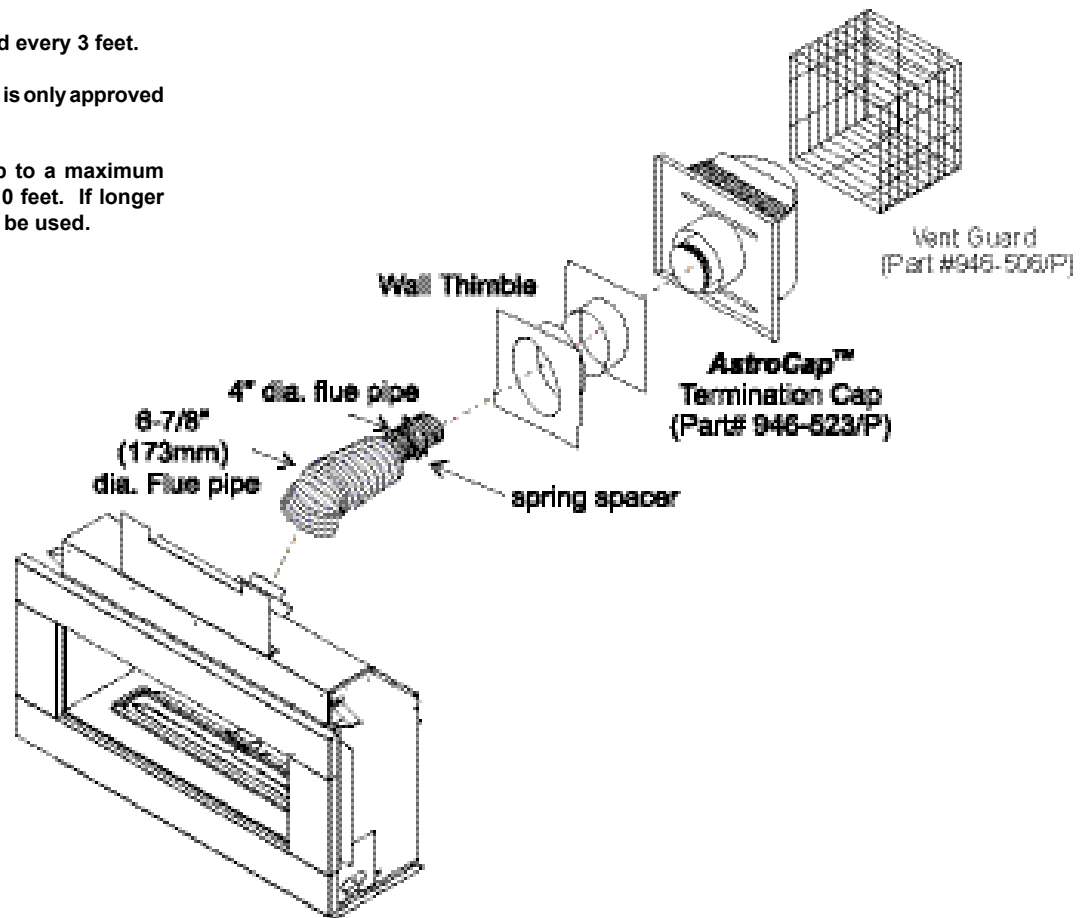
These venting systems, in combination with the HZ40E Direct Vent Gas Fireplace, has been tested and listed as a direct vent heater system by Warnock Hersey/ Intertek. The location of the termination cap must conform to the requirements in the Vent Terminal Locations diagram in "Exterior Vent Termination Locations" section.

Regency® Direct Vent (Flex) System Termination Kits includes all the parts needed to install the HZ40E using a flexible vent.

FPI Kit #	Length	Contains:
#946_513	2 Feet	1) 6-7/8" flexible outer liner (Kit length) 2) 4" flexible inner liner (Kit length) 3) spring spacers 4) thimble
#946_515	4 Feet	5) AstroCap termination cap 6) screws 7) tube of Mill Pac
#946_516	10 Feet	8) plated screws 9) S.S. screws #8 x 1-1/2" drill point

Notes:

- 1) Liner sections should be continuous without any joints or seams.
- 2) Only Flex pipe purchased from Regency® may be used for Flex installations
- 3) Horizontal vent must be supported every 3 feet.
- 4) Regency® Direct Vent System (Flex) is only approved for horizontal terminations.
- 5) Flex system can only be used up to a maximum continuous vent length of up to 10 feet. If longer runs are required, rigid pipe must be used.



HORIZONTAL TERMINATIONS RIGID PIPE 4" X 6-5/8"

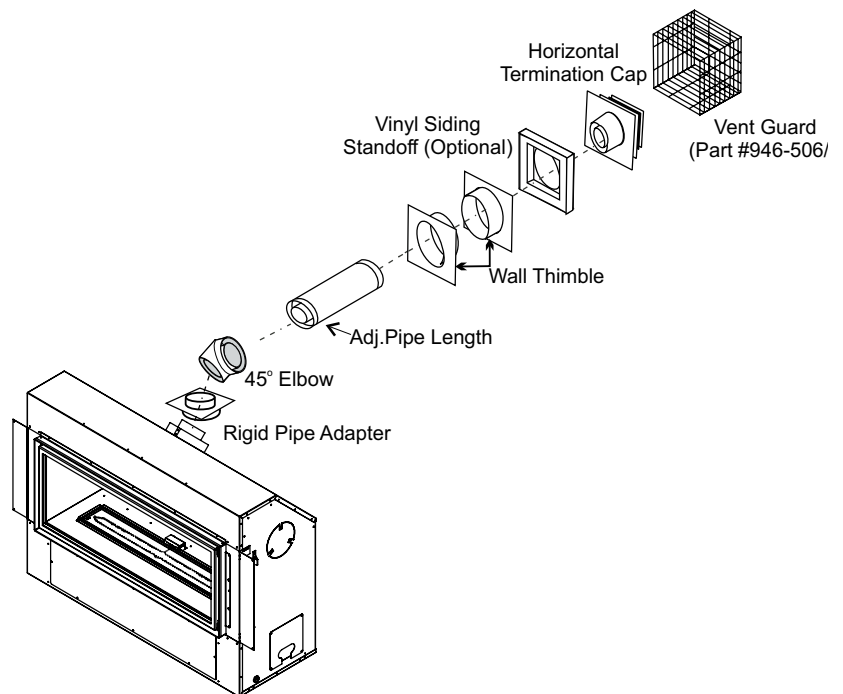
The minimum components required for a basic horizontal termination are:

- 1 Horizontal Termination Cap
- 1 45° Elbow
- 1 Rigid Pipe Adaptor (510-994)
- 1 Wall Thimble
- 1 Length of pipe to suit wall thickness (see chart)

Wall thickness is measured from the back standoffs to the inside mounting surface of termination cap. For siding other than vinyl furring strips may be used, instead of the vinyl siding standoff, to create a level surface to mount the vent terminal. The Terminal must not be recessed into siding. Measure the wall thickness including furring strips.

If a Vinyl Siding Standoff is required (it must be used with vinyl siding), measure to outside surface of wall without siding and add 2 inches.

Flat Wall Installation	
Wall Thickness (inches)	Vent Length Required (inches)
4" - 5-1/2"	6"
7" - 8-1/2"	9"
10" - 11-1/2"	12"
9" - 14-1/2"	11" - 14-5/8" Adj. Pipe
15" - 23-1/2"	17" - 24" Adj. Pipe



WARNING:

Do not combine venting components from different venting systems.

However use of the the AstroCap™ and FPI Riser is acceptable with all systems.

This product has been evaluated by Intertek for using a Rigid Pipe Adaptor in conjunction with Duravent Direct-Vent, Selkirk Direct-Temp, Ameri Vent Direct Venting, ICC Excel Direct and Security Secure Vent systems. Use of these systems with the Rigid Pipe adaptor is deemed acceptable and does not affect the Intertek WHI listing of components.

When using Rigid Vent other than Simpson Dura-Vent, 3 screws must be used to secure rigid pipe to adaptor.

The FPI AstroCap™ and FPI Riser Vent terminal are certified for installations using FPI venting systems as well as Simpson Dura-Vent® Direct Vent, American Metal Products Ameri Vent Direct Vent, Security Secure Vent®, ICC Excel, Selkirk Direct-Temp. AstroCap™ is a proprietary trademark of FPI Fireplace Products International Ltd. Dura-Vent® and Direct Vent are registered and/or proprietary trademarks of Simpson Dura-Vent Co. Inc.

HORIZONTAL TERMINATIONS RIGID PIPE 4" X 6-5/8"

The diagrams below shows examples of horizontal termination arrangements using one, two, or three 90° elbows (two 45° elbows equal one 90° elbow)

- 1) A maximum of three 90° elbows are permitted (not including the starting 45° elbow at the flue collar when using rigid venting).
 - 2) Minimum distance between elbows is 1 ft. (305mm).
- Maintain clearances to combustibles as listed in the "Clearances" section.
 - Horizontal vent must be supported every 3 feet.
 - Firestops are required at each floor level and whenever passing through a wall.
 - Must use optional rigid pipe adaptor (Part# 510-994) when using rigid pipe vent systems.
 - A vent guard should be used whenever the termination is lower than the specified minimum or as per local codes.
 - Flex system can only be used up to 10 feet - otherwise rigid venting must be used.

Straight Out Horizontal Venting

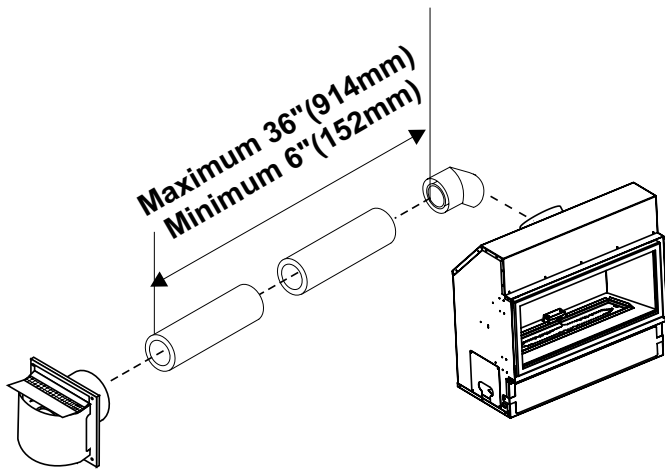


Diagram 1

Horizontal Venting with One (1) 90° Elbow

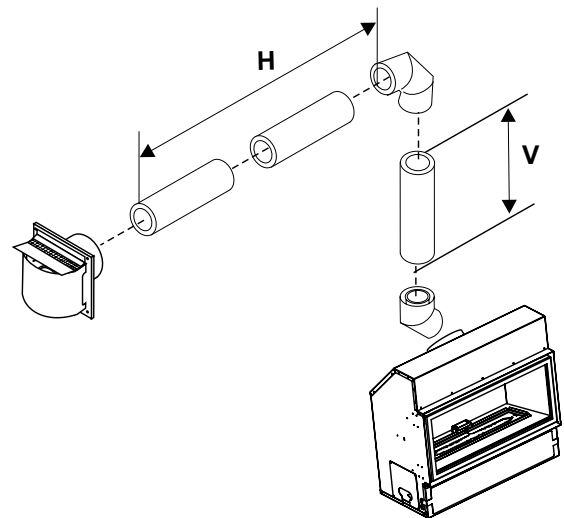
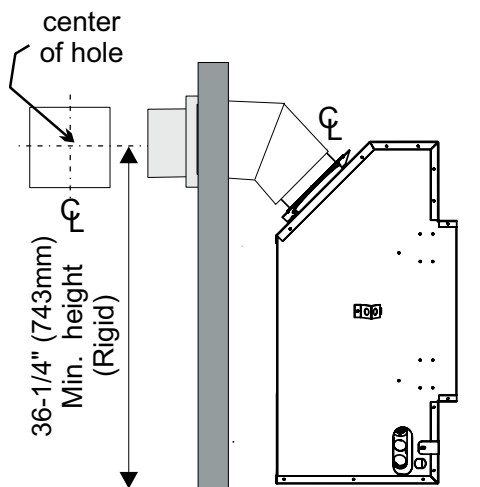


Diagram 2



Please note the minimum centerline for basic install shown above.

Option	V	H
A)	1' (305mm) Minimum	3' (914mm) Maximum
B)	2' (610mm) Minimum	6' (1.86m) Maximum
C)	3' (914mm) Minimum	9' (2.7m) Maximum
D)	4' (1.22m) Minimum	12' (3.6m) Maximum
E)	5' (1.5m) Minimum	15' (4.5m) Maximum
F)	6' (1.86m) Minimum	17' (5.1m) Maximum

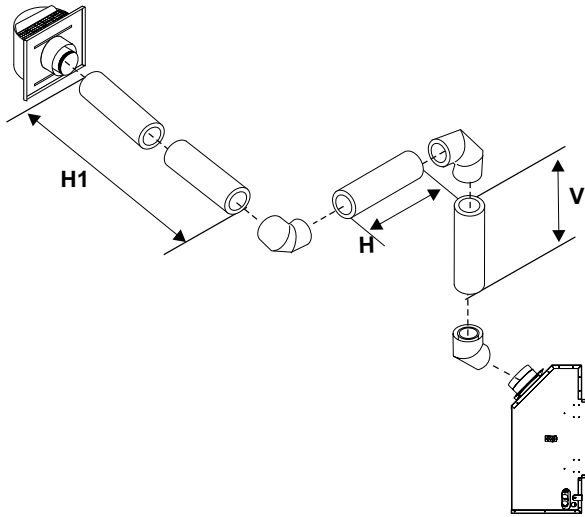
With the above options, maximum total pipe length is 37 feet with minimum of 6 feet total vertical and maximum 17 feet total horizontal.
Please note minimum 1 foot between 90° elbows is required.

Horizontal Venting with Two (2) 90° Elbows

One 90° elbow = Two 45° elbows.

Option	V	H + H1	With these options, maximum total pipe length is 28 feet with minimum of 6 feet total vertical and maximum 8 feet total horizontal. <i>Please note minimum 1 foot between 90° elbows is required.</i>
A)	1' Min.	3' Max.	
B)	2' Min.	4' Max.	
C)	3' Min.	5' Max.	
D)	4' Min.	6' Max.	
E)	5' Min.	7' Max.	
F)	6' Min.	8' Max.	

Restrictor Position - Set 0 (factory setting)

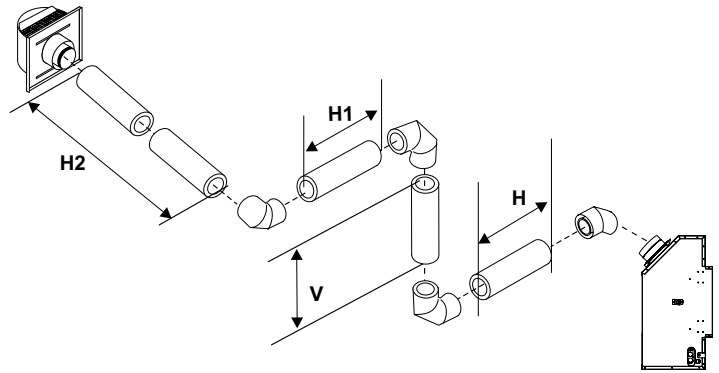


Horizontal Venting with Three (3) 90° Elbows

One 90° elbow = Two 45° elbows.

Option	H	V	H+H1+H2	With these options, maximum total pipe length is 28 feet with minimum of 11 feet total vertical and maximum 9 feet total horizontal. <i>Please note minimum 1 foot between 90° elbows is required.</i>
A)	1' Max.	1' Min.	3' Max.	
B)	2' Max.	3' Min.	5' Max.	
C)	3' Max.	5' Min.	6' Max.	
D)	4' Max.	7' Min.	7' Max.	
E)	5' Max.	9' Min.	8' Max.	
F)	6' Max.	11' Min.	9' Max.	

Restrictor Position - Set 0 (factory setting)

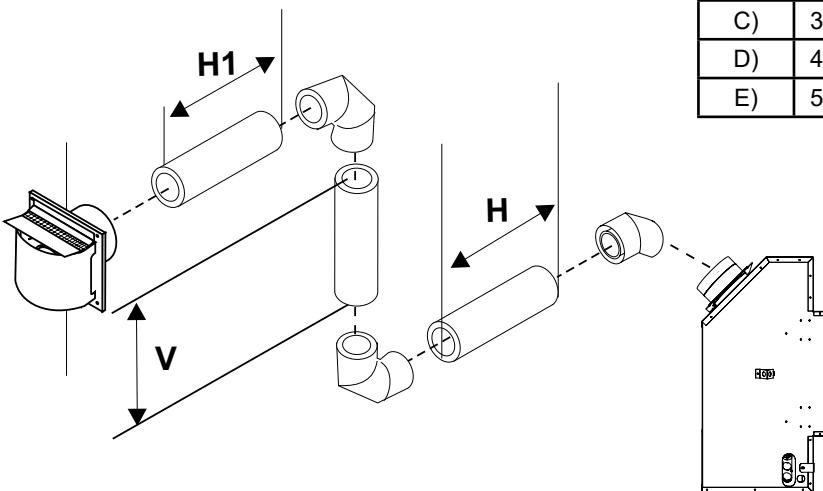


Horizontal Venting with Two (2) 90° Elbows

One 90° elbow = Two 45° elbows.

Option	H	V	H+H1	With these options, maximum total pipe length is 28 feet with minimum of 8 feet total vertical and maximum 8 feet total horizontal. <i>Please note minimum 1 foot between 90° elbows is required.</i>
A)	1' Max.	1' Min.	3' Max.	
B)	2' Max.	2' Min.	5' Max.	
C)	3' Max.	4' Min.	6' Max.	
D)	4' Max.	6' Min.	7' Max.	
E)	5' Max.	8' Min.	8' Max.	

Restrictor Position - Set 0 (factory setting)

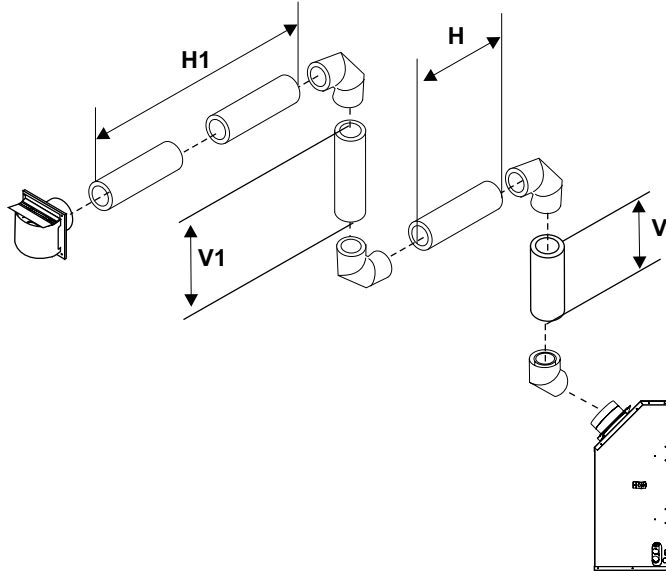


Horizontal Venting with Three (3) 90° Elbows

One 90° elbow = Two 45° elbows.

Option	V	H	V+V1	H+H1	With these options, maximum total pipe length is 28 feet with minimum of 12 feet total vertical and maximum 9 feet total horizontal. Please note minimum 1 foot between 90° elbows is required.
A)	2' Min.	1' Max.	3' Min.	4' Max.	
B)	3' Min.	2' Max.	4' Min.	5' Max.	
C)	4' Min.	3' Max.	6' Min.	6' Max.	
D)	5' Min.	4' Max.	8' Min.	7' Max.	
E)	6' Min.	5' Max.	10' Min.	8' Max.	
F)	7' Min.	6' Max.	12' Min.	9' Max.	

Restrictor Position - Set 0 (factory setting)

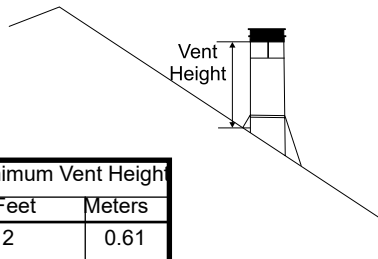


VERTICAL TERMINATIONS RIGID PIPE 4" X 6-5/8"

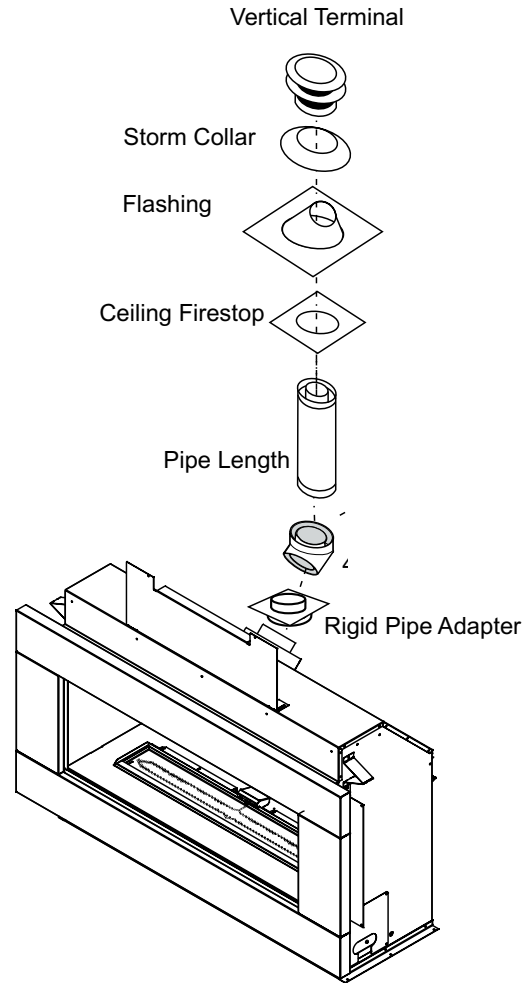
The minimum components required for a basic vertical termination are:

- 1 Vertical Termination Cap
- 1 45° Elbow
- 1 Rigid Pipe Adaptor (510-994)
- 1 Ceiling Firestop
- 1 Flashing
- 1 Storm Collar
- 1 Length of pipe to suit wall thickness (see chart)

Galvanized pipe is desirable above the roofline due to its higher corrosion resistance. Continue to add pipe sections through the flashing until the height of the vent cap meets the minimum height requirements specified in Dia. 4 or local codes. Note that for steep roof pitches, the vertical height must be increased. A poor draft, or down drafting can result from high wind conditions near big trees or adjoining roof lines, in these cases, increasing the vent height may solve the problem.



Roof Pitch	Minimum Vent Height	
	Feet	Meters
flat to 7/12	2	0.61
over 7/12 to 8/12	2	0.61
over 8/12 to 9/12	2	0.61
over 9/12 to 10/12	2.5	0.76
over 10/12 to 11/12	3.25	0.99
over 11/12 to 12/12	4	1.22
over 12/12 to 14/12	5	1.52
over 14/12 to 16/12	6	1.83
over 16/12 to 18/12	7	2.13
over 18/12 to 20/12	7.5	2.29
over 20/12 to 21/12	8	2.44



WARNING:

Do not combine venting components from different venting systems.

However use of the the AstroCap™ and FPI Riser is acceptable with all systems.

This product has been evaluated by Intertek for using a Rigid Pipe Adaptor in conjunction with Duravent Direct-Vent, Selkirk Direct-Temp, Ameri Vent Direct Venting, ICC Excel Direct and Security Secure Vent systems. Use of these systems with the Rigid Pipe adaptor is deemed acceptable and does not affect the Intertek WHI listing of components.

When using Rigid Vent other than Simpson Dura-Vent, 3 screws must be used to secure rigid pipe to adaptor.

The FPI AstroCap™ and FPI Riser Vent terminal are certified for installations using FPI venting systems as well as Simpson Dura-Vent® Direct Vent, American Metal Products Ameri Vent Direct Vent, Security Secure Vent®, ICC Excel, Selkirk Direct-Temp. AstroCap™ is a proprietary trademark of FPI Fireplace Products International Ltd. Dura-Vent® and Direct Vent are registered and/or proprietary trademarks of Simpson Dura-Vent Co. Inc.

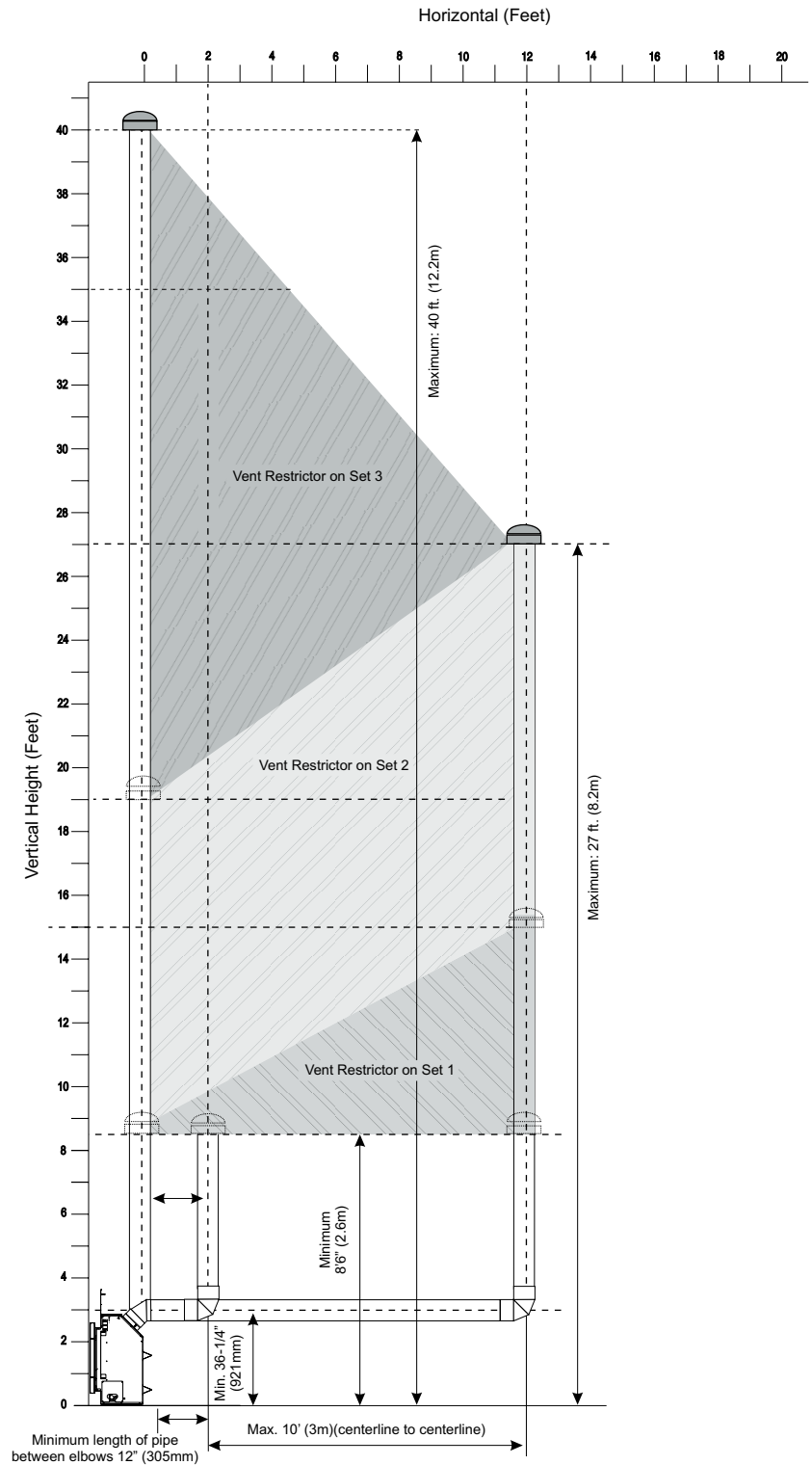
VENTING ARRANGEMENT FOR VERTICAL TERMINATIONS

Vertical Venting with One(1) 90° Elbows (1 - 90° = 2 - 45°)

The shaded area in the diagram shows all allowable combinations of straight vertical and offset to vertical terminations, using one 90° elbow, with **Rigid Pipe Venting Systems**.

Two 45° elbows equal to one 90° elbow, not including the starting 45° elbow at the flue collar.

- Vent must be supported at offsets.
- Minimum distance between elbows is 1 ft. (305mm).
- Maintain clearances to combustibles as listed in the "Clearances" section.
- Horizontal vent must be supported every 3 feet.
- Firestops are required at each floor level and whenever passing through a wall.
- Must use optional rigid pipe adaptor (Part# 510-994) when using rigid pipe vent systems.
- Refer to the "Vent Restrictor Position" section for details on how to change the vent restrictor from the factory setting of Set 0 to Set 1 or Set 2 if required.



VERTICAL TERMINATION WITH CO-LINEAR FLEX SYSTEM

THE APPLIANCE MUST NOT BE CONNECTED TO A CHIMNEY FLUE SERVING A SEPARATE SOLID FUEL BURNING APPLIANCE.

Masonry chimneys may take various contours which the flexible liner will accommodate. However, **keep the flexible liner as straight as possible**, avoid unnecessary bending.

The Air Intake pipe must be attached to the inlet air collar of the termination cap.

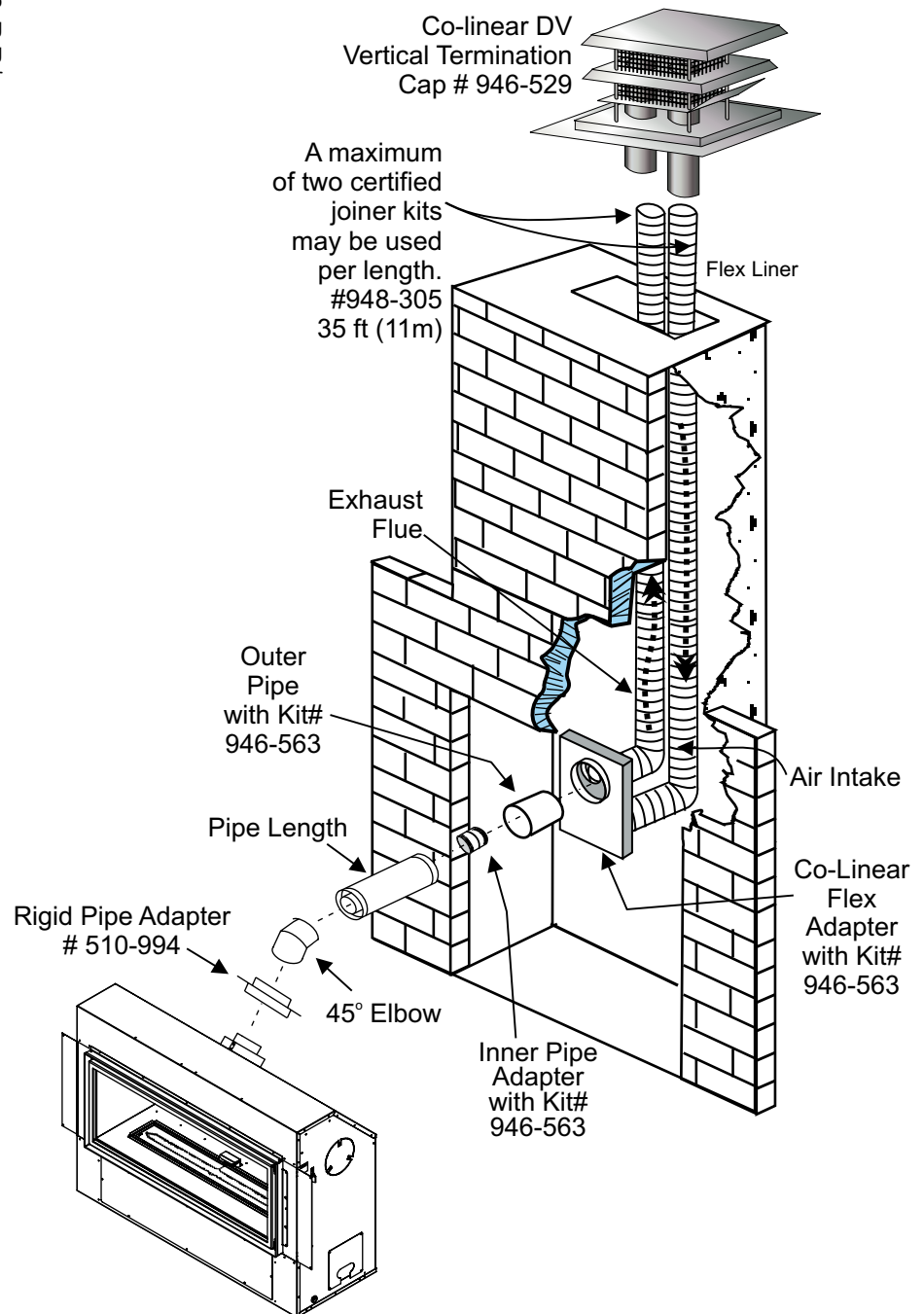
This appliance is designed to be attached to two 3" (76mm) co-linear aluminium flex running the full length of the chimney. See the "Venting Arrangements - Vertical Terminations" Section for minimum and maximum heights.

Required Parts:

Part #	Description
946-529	Co-linear DV Vertical Termination Cap
948-305	3" Flex - 35 ft.
946-563	Co-Axial to Co-Linear Adapter Kit which contains the following: Co-linear Flex Adapter Outer Pipe Inner Pipe Adapter
510-994	Rigid Pipe Adaptor
46DVA-E45	45° Elbow

Alternate Approved Caps

46DVA-VC	Vertical Termination Cap
46DVA-VCH	High Wind Cap
46DVA-GK	3" Co-linear Adapter with flashing



VERTICAL TERMINATIONS

RIGID PIPE 4" X 6-5/8"

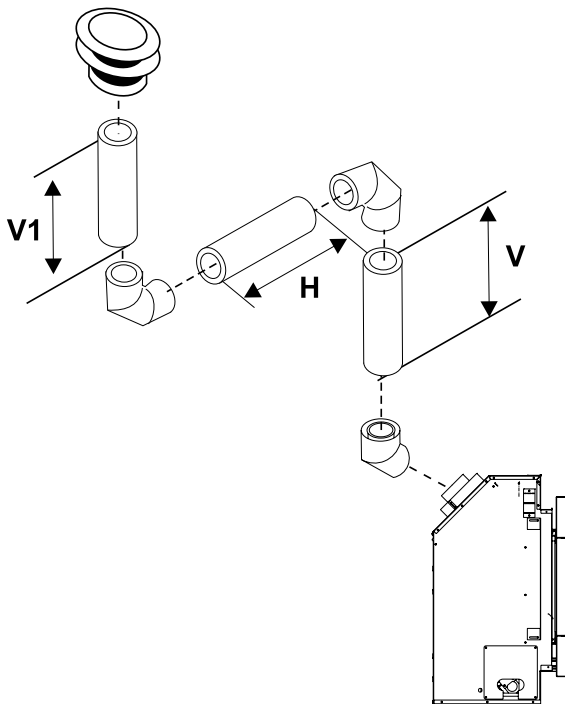
- Two 45° elbows equal to one 90° elbow. Maximum of four 45° elbows allowed, not including the starting 45° elbow at the flue collar.
- Vent must be supported at offsets.
- Minimum distance between elbows is 1 ft. (305mm).
- Maintain clearances to combustibles as listed in the "Clearances" section.
- Horizontal vent must be supported every 3 feet.
- Firestops are required at each floor level and whenever passing through a wall.
- Must use optional rigid pipe adaptor (Part# 510-994) when using rigid pipe vent systems.

Vertical Venting with Two (2) 90° Elbows

One 90° elbow = Two 45° elbows.

Option	V	H	V+V1	With these options, maximum total pipe length is 30 feet with minimum of 6 feet total vertical and maximum 8 feet total horizontal. Please note minimum 1 foot between 90° elbows is required.
A)	1' Min.	4' Max.	2' Min.	
B)	2' Min.	5' Max.	3' Min.	
C)	3' Min.	6' Max.	4' Min.	
D)	4' Min.	7' Max.	5' Min.	
E)	5' Min.	8' Max.	6' Min.	

Restrictor Position - Set 0 (factory setting)

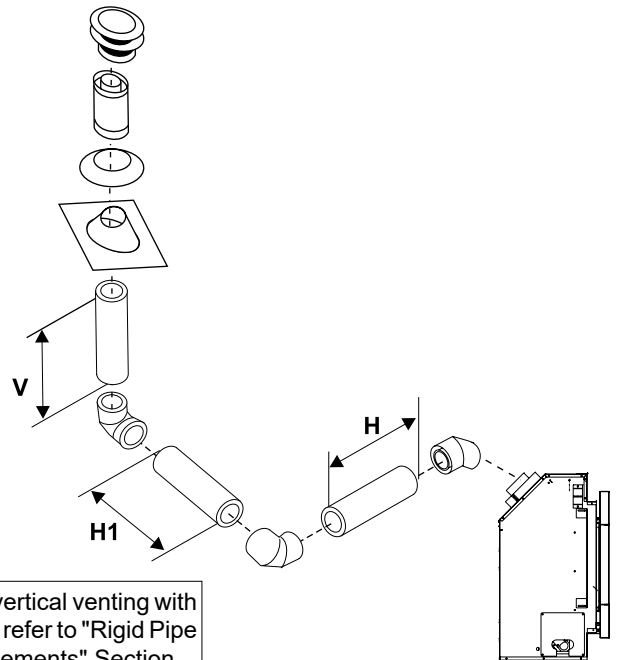


Vertical Venting with Two (2) 90° Elbows

One 90° elbow = Two 45° elbows.

Option	H + H1	V	With these options, maximum total pipe length is 30 feet with minimum of 6 feet total vertical and maximum 6 feet total horizontal. Please note minimum 1 foot between 90° elbows is required.
A)	2' Max.	2' Min.	
B)	3' Max.	3' Min.	
C)	4' Max.	4' Min.	
D)	5' Max.	5' Min.	
E)	6' Max.	6' Min.	

Restrictor Position - Set 0 (factory setting)



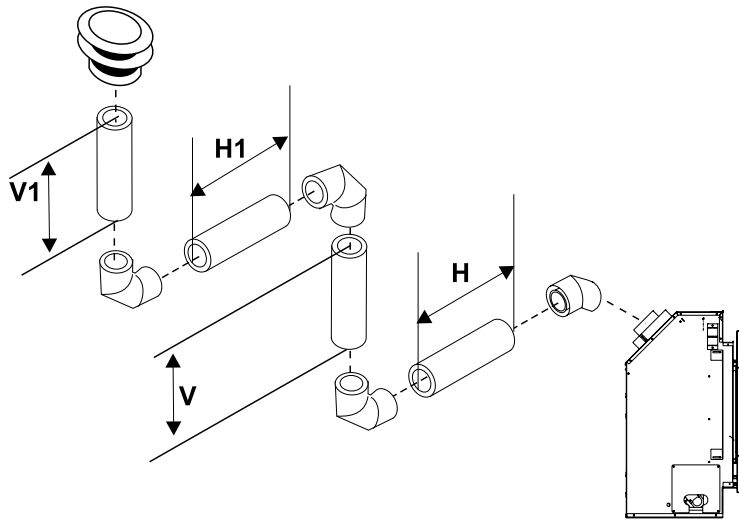
For additional vertical venting with 2 x 90° elbows, refer to "Rigid Pipe Venting Arrangements" Section.

Vertical Venting with Three (3) 90° Elbows

One 90° elbow = Two 45° elbows.

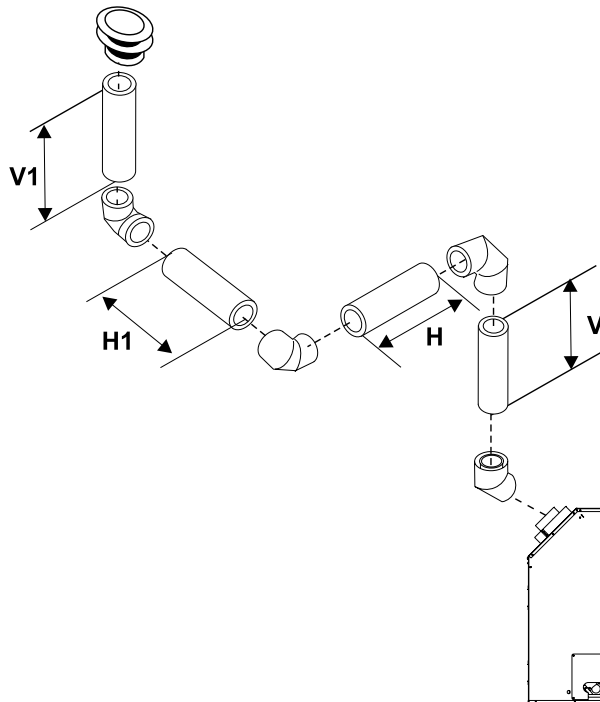
Option	H	V	H + H1	V + V1	With these options, max. total pipe length is 30 feet with min. of 11 feet total vertical and max. 7 feet total horizontal. Please note min. 1 foot between 90° elbows is required.
A)	1' Max.	1' Min.	3' Max.	3' Min.	
B)	2' Max.	2' Min.	4' Max.	5' Min.	
C)	3' Max.	3' Min.	5' Max.	7' Min.	
D)	4' Max.	4' Min.	6' Max.	9' Min.	
E)	5' Max.	5' Min.	7' Max.	11' Min.	

Restrictor Position - Set 0 (factory setting)



Vertical Venting with Three (3) 90° Elbows

One 90° elbow = Two 45° elbows.

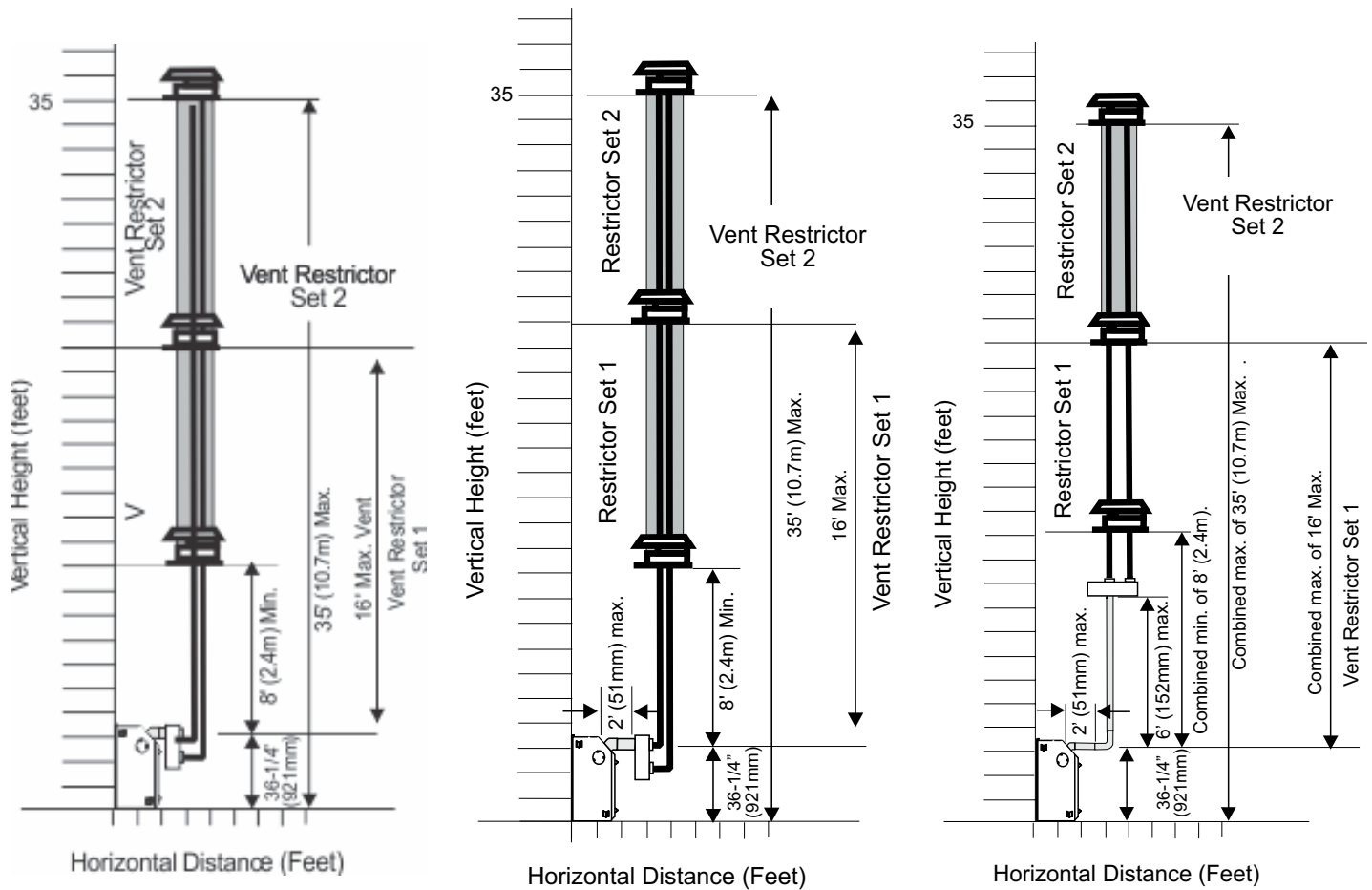


Option	V	H + H1	V + V1	With these options, max. total pipe length is 30 feet with min. of 10 feet total vertical and max. 8 feet total horizontal. Please note min. 1 foot between 90° elbows is required.
A)	2' Min.	3' Max.	4' Min.	
B)	3' Min.	4' Max.	6' Min.	
C)	4' Min.	5' Max.	7' Min.	
D)	5' Min.	6' Max.	8' Min.	
E)	6' Min.	7' Max.	9' Min.	
F)	7' Min.	8' Max.	10' Min.	

Restrictor Position - Set 0 (factory setting)

VENTING ARRANGEMENTS - VERTICAL TERMINATIONS

with Co-linear Flex System for both
Residential & Manufactured Homes
into Masonry Fireplaces



The shaded area in the diagrams show the allowable vertical terminations when using two- 3" co-linear aluminium flex and 4 x 6-5/8" rigid pipe.

UNIT INSTALLATION WITH HORIZONTAL TERMINATION

4" X 6-5/8"
VENTING
(Rigid Vent Systems)

Minimum Vent Clearances to Combustibles

* Clearances noted below must be maintained; except when passing through a wall, ceiling or at the termination where the use of a firestop or wall thimble reduces clearance to 1-1/2" (38mm).

Horizontal Top*	3" (76mm)*
Horizontal Side	2" (51mm)
Horizontal Bottom	2" (51mm)
Vertical Vent	2" (51mm)

Below are the recommended framing dimensions (inside measurements) for the 4" x 6-5/8" rigid vent terminations - for use with a firestop or wall thimble.

Recommended Framed Opening Size	
Vent Size	Framing Size
4" x 6 - 5/8"	10" x 10"

Install the vent system according to the manufacturer's instructions included with the components.

- 1) Set the unit in its desired location. Check to determine if wall studs or roof rafters are in the way when the venting system is attached. If this is the case, you may want to adjust the location of the unit. Rough in the gas preferably on the right side of the unit and the electrical (junction block is on the left side) on the left.
- 2) Direct Vent pipe and fittings are designed with special twist-lock connections to connect the venting system to the appliance flue outlet. A twist-lock appliance adaptor is required.
- 3) In conjunction with the Approved Vent system, install the adaptor after the unit is set in its desired location. Put a bead of high temperature silicone inside the outer section of the adapter and a bead of Mill Pack on the inner collar. Slip the adapter over the existing inner and outer flue collar. Fasten to the outer collar only with the 3 supplied screws (drilling pilot holes will make this easier).
- 4) Level the fireplace and fasten it to the framing using nails or screws through the top and side nailing strips.

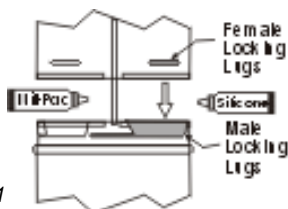


Diagram 1

- 5) Assemble the desired combination of pipe and elbows to the appliance adaptor and twist-lock for a solid connection.

Note: For best results and optimum performance with each approved venting system, it is highly recommended to apply "Mill-Pac" sealant (supplied) to every inner pipe connection. Failure to do so may result in drafting or performance issues not covered under warranty. Silicone (red RTV) is optional.

Horizontal runs of vent must be supported every 3 feet (0.9meter). Wall straps are available for this purpose.

- 6) Mark the wall for a square hole.-see chart to left for size. The center of the square hole should line up with the center-line of the horizontal pipe. Cut and frame the square hole in the exterior wall where the vent will be terminated. See diagram 2 for center line requirements.

If the wall being penetrated is constructed of non-combustible material, i.e. masonry block or concrete, an 8" (203mm) diameter hole is acceptable.

Note:

- a) The horizontal run of vent must be level, or have a 1/4 inch rise for every 1 foot of run towards the termination. Never allow the vent to run downward. This could cause high temperatures and may present the possibility of a fire.
- b) The location of the horizontal vent termination on an exterior wall must meet all local and national building codes,

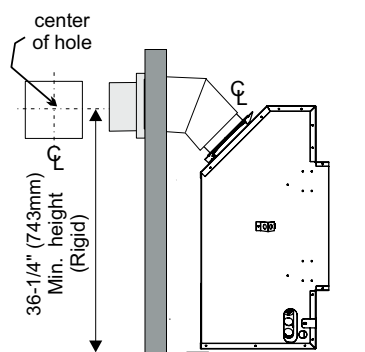


Diagram 2

- 7) Ensure that the pipe clearances to combustible materials are maintained (Diagram 5). Install the termination cap.

Note: If installing termination on a vinyl siding covered wall, a vinyl siding standoff or furring strips must be used to ensure that the termination is not recessed into the siding.

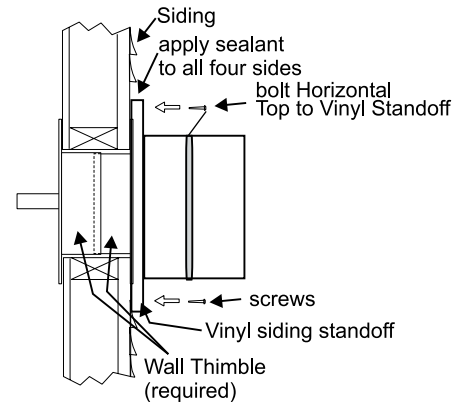


Diagram 5

The four wood screws provided should be replaced with appropriate fasteners for stucco, brick, concrete, or other types of sidings.

- 8) Before connecting the horizontal run of vent pipe to the vent termination, slide the Wall Thimble over the vent pipe. The wall thimble is required for all horizontal terminations.
- 9) Slide the appliance and vent assembly towards the wall carefully inserting the vent pipe into the vent cap assembly. It is important that the vent pipe extends into the vent cap sufficient distance so as to result in a minimum pipe overlap of 1-1/4 inches (32mm). Secure the connection between the vent pipe and the vent cap.
- 10) Install wall thimble in the center of the framed hole and attach with wood screws (Diagram 7).

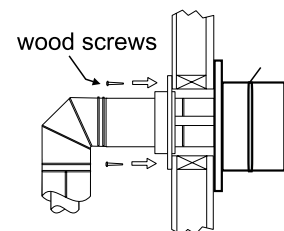


Diagram 7

INSTALLATION

UNIT INSTALLATION WITH HORIZONTAL TERMINATION

4" X 6-5/8" VENTING
(Flex Vent Systems)

Minimum Vent Clearances to Combustibles

* Clearances noted below must be maintained; except when passing through a wall, ceiling or at the termination where the use of a firestop or wall thimble reduces clearance to 1" (25mm).

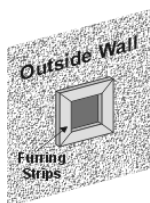
Horizontal Top*	3" (76mm)*
Horizontal Side	2" (51mm)
Horizontal Bottom	2" (51mm)
Vertical Vent	2" (51mm)

Below are the recommended framing dimensions (inside measurements) for the 4" x 6-5/8" rigid vent terminations - for use with a firestop or wall thimble.

Recommended Framed Opening Size	
Vent Size	Framing Size
4" x 6 - 5/8"	10" x 10"

- 1) Locate the unit in the framing, rough in the gas (preferably on the right side of the unit). Locate the centerline of the termination and mark wall accordingly. Cut an square hole in the wall - see chart (inside dimension).

Note: If installing termination on a siding covered wall, a vinyl siding standoff or vinyl furring strips must be used to ensure that the termination is not recessed into the siding.



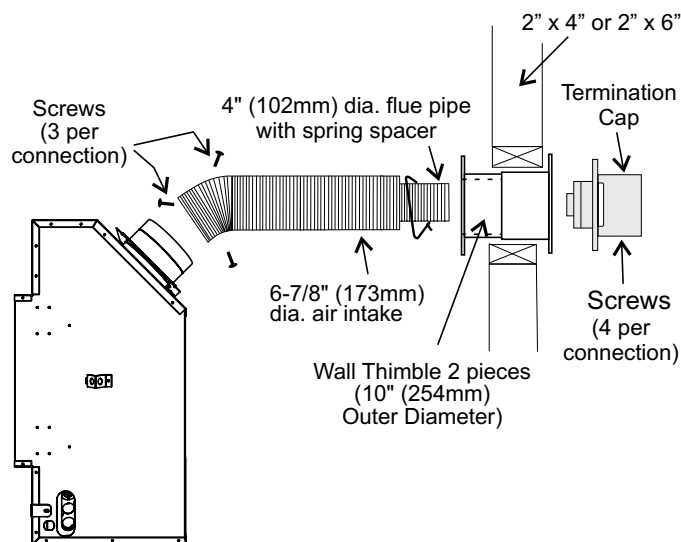
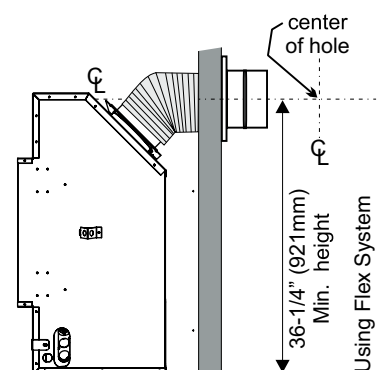
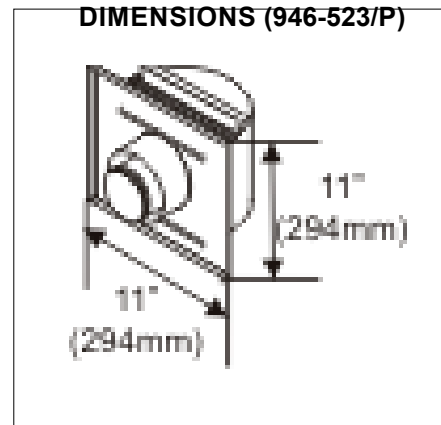
- 2) Level the fireplace and fasten it to the framing using nails or screws through the nailing strips.
- 3) Assemble the vent assembly by applying Mill Pac to the inner flue collar of the termination and slipping the inner flex liner over it at least 1-3/8" (35mm). Fasten with the 3 screws (drilling pilot holes will make this easier). Apply Mill Pac or high temperature silicone to the outer flex pipe and slip it over the outer flue collar of the vent terminal at least 1-3/8" (35mm) and fasten with the 3 screws.

NOTE: Horizontal sections must be supported at intervals not exceeding 3 feet (0.9 meter). (Flame picture and performance will be affected by sags in the liner).

- 4) Separate the 2 halves of the wall thimble and securely fasten the one with the tabs to the outside wall making sure that the tabs are on top and bottom. Fasten the other thimble half to the inside wall. The thimble halves slip inside each other and can be adjusted for 2 x 4 or 2 x 6 walls.
- 5) Slip the assembled liner and termination assembly through the thimble making sure the termination cap faces up (there are markings on the cap indicating which way is up). This will position the termination cap with proper down slope for draining water. Fasten the cap to the outer wall with the 4 supplied screws.
- 6) Pull the centre inner and outer flex liner out enough to slip over the flue collars of the fireplace. (You may wish to cut the liner shorter to make it more workable.) Do not bend liner more than 90°. **The liners must slip over the collars a minimum of 1-3/8".**
- 7) Apply Mill Pac over the fireplace inner flue collar and slip the inner flex liner down over it and attach with 3 supplied screws.
- 8) Do the same with the outer flue collar and outer flex liner.
- 9) Apply a bead of silicone between the thimble and termination and around the outer edge of the terminal at the wall in order to keep the water out.

IMPORTANT: Do not locate termination hood where excessive snow or ice buildup may occur. Be sure to check vent termination area after snow falls, and clear to prevent accidental blockage of venting system. When using snow blowers, make sure snow is not directed towards vent termination area.

ASTROCAP DIMENSIONS (946-523/P)



UNIT INSTALLATION WITH VERTICAL TERMINATION

4" X 6-5/8" VENTING (Rigid Vent Systems)

- 1) Maintain the 1-1/2" clearances (air spaces) to combustibles when passing through ceilings, walls, roofs, enclosures, attic rafter, or other nearby combustible surfaces. Do not pack air spaces with insulation. Check "Venting" Sections for the maximum vertical rise of the venting system and the maximum horizontal offset limitations.

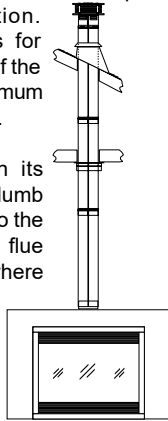


Diagram 1

- 2) Set the gas appliance in its desired location. Drop a plumb bob down from the ceiling to the position of the appliance flue exit, and mark the location where the vent will penetrate the ceiling. Drill a small hole at this point. Next, drop a plumb bob from the roof to the hole previously drilled in the ceiling, and mark the spot where the vent will penetrate the roof.
- 3) A Firestop spacer must be installed in the floor or ceiling of every level. To install the Firestop spacer in a flat ceiling or wall, cut a 10 inch square hole. Frame the hole as shown in Diagram 2 and install the firestop.

Note: All vertical terminations are vented using 4" x 6-5/8" venting and rigid pipe adaptor #510-994.

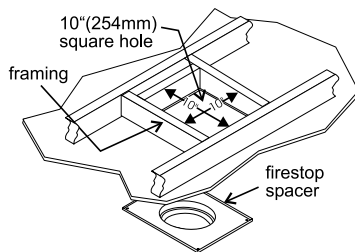
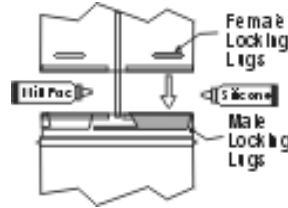


Diagram 2

- 4) Assemble the desired lengths of pipe and elbows. Ensure that all pipes and elbow connections are in the fully twist-locked position and sealed.



NOTE: For best results and optimum performance with each approved venting system, it is highly recommended to apply "Mill-Pac" sealant (supplied) to every inner pipe connection. Failure to do so may result in drafting or performance issues not covered under warranty. Silicone (red RTV) is optional.

- 5) Cut a hole in the roof centered on the small drilled hole placed in the roof in Step 2. The hole should be of sufficient size to meet the minimum requirements for clearance to combustibles of 1-1/2". Slip the flashing under the shingles (shingles should overlap half the flashing) as per Diagram 3.

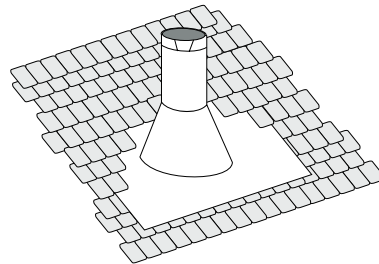


Diagram 3: The upper half of the flashing is installed under the roofing material and not nailed down until the chimney is installed. This allows for small adjustments.

- 6) Continue to assemble pipe lengths.

Note: If an offset is necessary in the attic to avoid obstructions, it is important to support the vent pipe every 3 feet, to avoid excessive stress on the elbows, and possible separation. Wall straps are available for this purpose.

Galvanized pipe is desirable above the roofline due to its higher corrosion resistance. Continue to add pipe sections through the flashing until the height of the vent cap meets the minimum height requirements specified in Dia. 4 or local codes. Note that for steep roof pitches, the vertical height must be increased. A poor draft, or down drafting can result from high wind conditions near big trees or adjoining roof lines, in these cases, increasing the vent height may solve the problem.

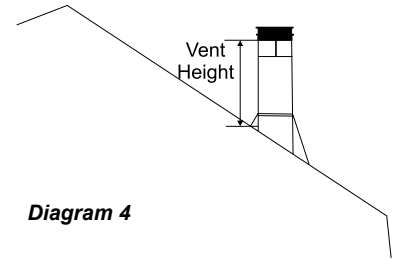


Diagram 4

Roof Pitch	Minimum Vent Height	
	Feet	Meters
flat to 7/12	2	0.61
over 7/12 to 8/12	2	0.61
over 8/12 to 9/12	2	0.61
over 9/12 to 10/12	2.5	0.76
over 10/12 to 11/12	3.25	0.99
over 11/12 to 12/12	4	1.22
over 12/12 to 14/12	5	1.52
over 14/12 to 16/12	6	1.83
over 16/12 to 18/12	7	2.13
over 18/12 to 20/12	7.5	2.29
over 20/12 to 21/12	8	2.44

- 7) Ensure vent is vertical and secure the base of the flashing to the roof with roofing nails, slide storm collar over the pipe section and seal with a mastic.
- 8) Install the vertical termination cap by twist-locking it.

Note: Any closets or storage spaces, which the vent passes through must be enclosed.

INSTALLATION

HZ40E-NG SYSTEM DATA	
Min. Supply Pressure	5" WC (1.25 kpa)
Manifold Pressure	3.5" WC (0.87 kpa)
Orifice Size	#40 DMS
Maximum Input	26,000 Btu/h (7.61 kW)
Minimum Input	18,000 Btu/h (5.28 KW)

HZ40E-LP SYSTEM DATA	
Min. Supply Pressure	11" WC (2.73 kpa)
Manifold Pressure	10" WC (2.49 kpa)
Orifice Size	#53 DMS
Maximum Input	25,500 Btu/h (7.47 kW)
Minimum Input	21,000 Btu/h (6.15 KW)

HIGH ELEVATION

This unit is approved for altitude 0 to 4500 ft. (CAN 1 2.17-M91).

GAS LINE INSTALLATION

Since some municipalities have additional local codes it is always best to consult with your local authorities and the CAN/CGA B149 installation code.

For USA installations follow local codes and/or the current National Fuel Gas Code, ANSI Z223.1.

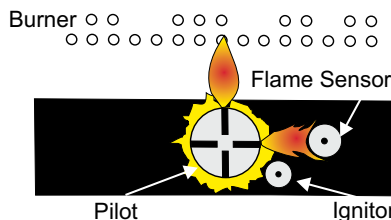
When using copper or flex connectors use only approved fittings. Always provide a union so that gas lines can be easily disconnected for servicing. Flare nuts for copper lines and flex connectors are usually considered to meet this requirement.

NOTE: A shutoff / dante valve should be supplied in or near the unit (or as per local codes) for ease of servicing this appliance.

IMPORTANT: Always check for gas leaks with a soap and water solution or gas leak detector. Do not use open flame for leak testing.

PILOT ADJUSTMENT

Periodically check the pilot flames. Correct flame pattern has two strong blue flames: 1 flowing around the flame sensor and 1 flowing across the burner (it does not have to be touching the burner).



Note: If you have an incorrect flame pattern, contact your Regency® dealer for further instructions.

Incorrect flame pattern will have small, probably yellow flames, not coming into proper contact with the rear burner or flame sensor.

GAS PIPE PRESSURE TESTING

The appliance must be isolated from the gas supply piping system by closing its individual manual shut-off valve during any pressure testing of the gas supply piping system at test pressures equal to or less than 1/2 psig. (3.45 kPa). Disconnect piping from valve at pressures over 1/2 psig.

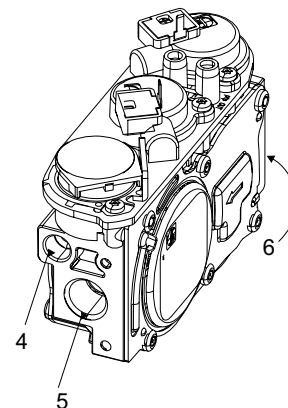
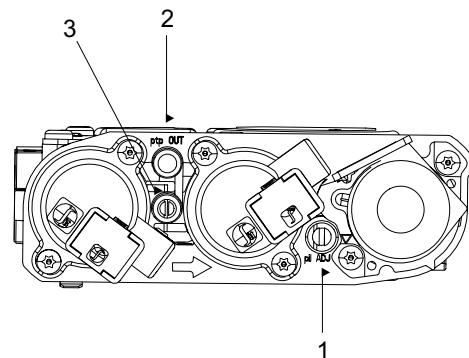
The manifold pressure is controlled by a regulator built into the gas control, and should be checked at the pressure test point.

Note: To properly check gas pressure, both inlet and manifold pressures should be checked using the valve pressure ports on the valve.

- 1) Make sure the unit is in the "OFF" position.
- 2) Loosen the "IN" and/or "OUT" pressure tap(s), turning counterclockwise with a 1/8" wide flat screwdriver.
- 3) Attach manometer to "IN" and/or "OUT" pressure tap(s) using a 5/16" ID hose.
- 4) Turn the unit on with the remote or wall switch
- 5) The pressure check should be carried out with the unit burning and the setting should be within the limits specified on the safety label.
- 6) When finished reading manometer, turn off the unit, disconnect the hose and tighten the screw (clockwise) with a 1/8" flat screwdriver.
Note: Screw should be snug, but do not over tighten.

880 S.I.T. VALVE DESCRIPTION

- 1) Pilot adjustment
- 2) Outlet Pressure Tap
- 3) Inlet Pressure Tap
- 4) Pilot Outlet
- 5) Main Gas Outlet
- 6) Main Gas Inlet



AERATION ADJUSTMENT

The burner aeration is factory set but may need adjusting due to either the local gas supply or altitude. Open the air shutter for a blue flame or close for a more yellow flame.

Minimum Air Shutter Opening:

NG	Fully Closed
LP	1/8"

Note: Any damage due to carboning resulting from improperly setting the aeration controls is NOT covered under warranty.

AC POWER ADAPTOR INSTALLATION (FOR SUREFIRE SYSTEMS)

An optional AC power adaptor may be installed as a constant power source for the SureFire system.

IMPORTANT: Recommend removing the 4-AA batteries in the SureFire receiver.

This will avoid battery leakage and power drainage. 4-AA Battery pack may be re-installed into receiver during power outages.

NOTE: For all Gas Fireplaces 120 volt power must be brought to the receptacle box inside the bottom of the fireplace (provided with the unit). All Free-standing Gas Showers & Gas Inserts will need a receptacle box located outside / near the unit so that the AC Power Adaptor can be plugged in.

INSTALL AC ADAPTOR WITH SUREFIRE WALL RECEIVER SWITCH ONLY - (WITHOUT REMOTE)

- 1) Locate "DG Supply" tag on wire harness. For location in unit see remote installation page in owners manual.



- 2) Connect the male end from AC adaptor to the female end labeled "DG Supply" on wiring harness in unit.



- 3) Plug AC adaptor into 120V wall outlet (or into 120V receptacle if installed inside the gas fireplace firebox).
- 4) Neatly tuck any loose AC Power Adaptor wires neatly underneath / inside the appliance.

NOTE: Ensure that wires do not touch the underside of the firebox (keep wires away from the heat as much as possible).

INSTALL AC ADAPTOR WITH SUREFIRE PROFLAME GT / GTM REMOTE

- 1) Connect the male end of the AC adaptor to the female end of the wire adaptor (supplied with AC adaptor) together as shown.



Wire adaptor

AC adaptor

- 2) Plug in wire adaptor to FCM - COM connector - be careful not to damage ends. This only fits one way.



AC adaptor wire adaptor

FCM - COM

- 3) Locate FCM - COM connector on the Remote wire harness - see manual for location in unit.



FCM - COM

- 4) Plug AC adaptor into 120V wall outlet (or into 120V receptacle if installed inside the gas fireplace firebox).
- 5) Neatly tuck any loose AC Power Adaptor wires neatly underneath / inside the appliance.

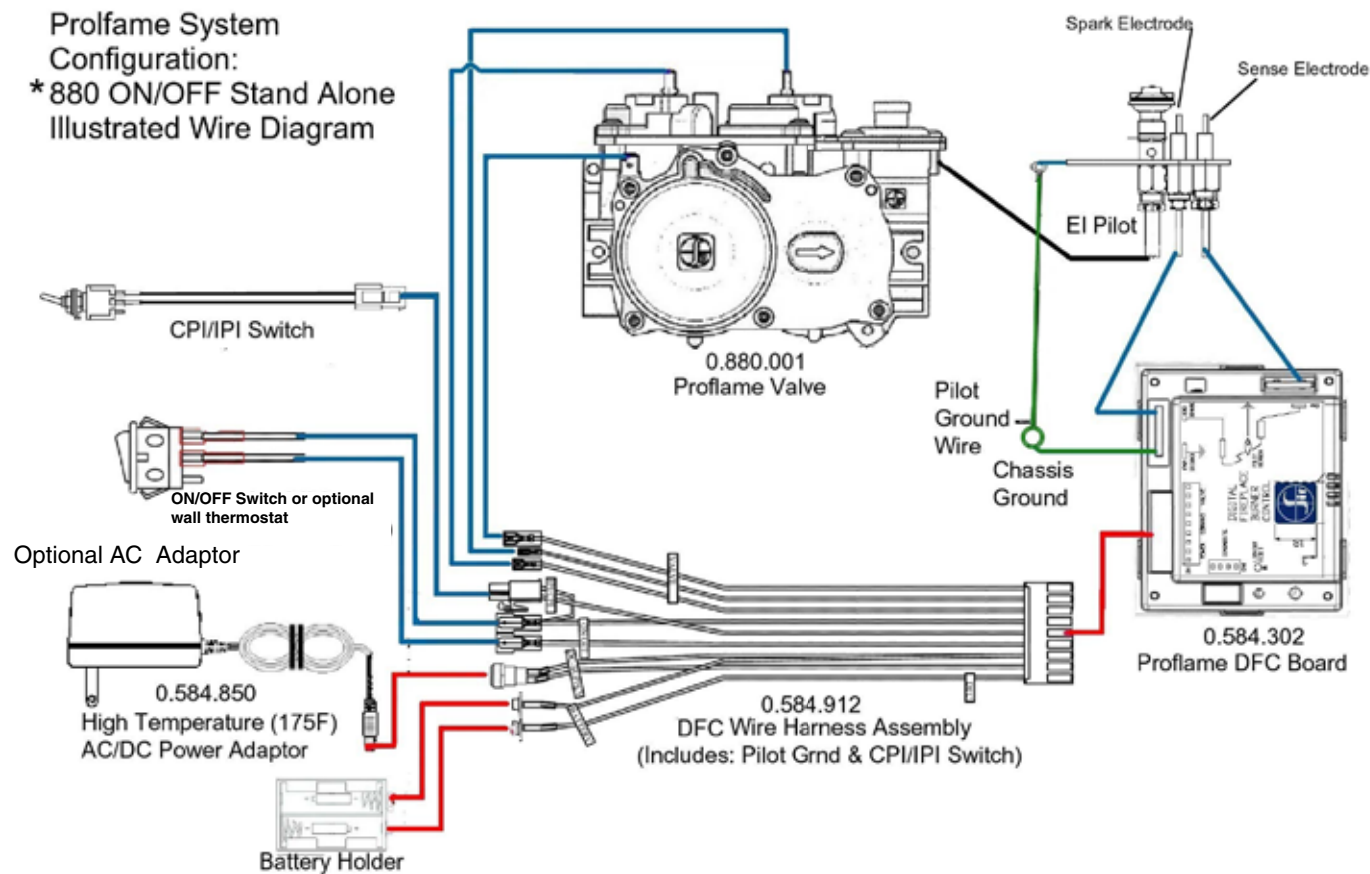
NOTE: Ensure that wires do not touch the underside of the firebox (keep wires away from the heat as much as possible).

WIRING DIAGRAM

This heater does not require a 120V A.C. supply for operation. In case of a power failure, the burner switch and the optional remote control/thermostat will continue to operate. However, a 120V A.C. power supply is needed for the fan/blower operation.

(Do not cut the ground terminal off under any circumstances.)

NOTE: Even if the fan is not purchased with the unit, it is still a good idea to bring power to the receptacle box (provided with the unit) in case the fan is installed at a later date.

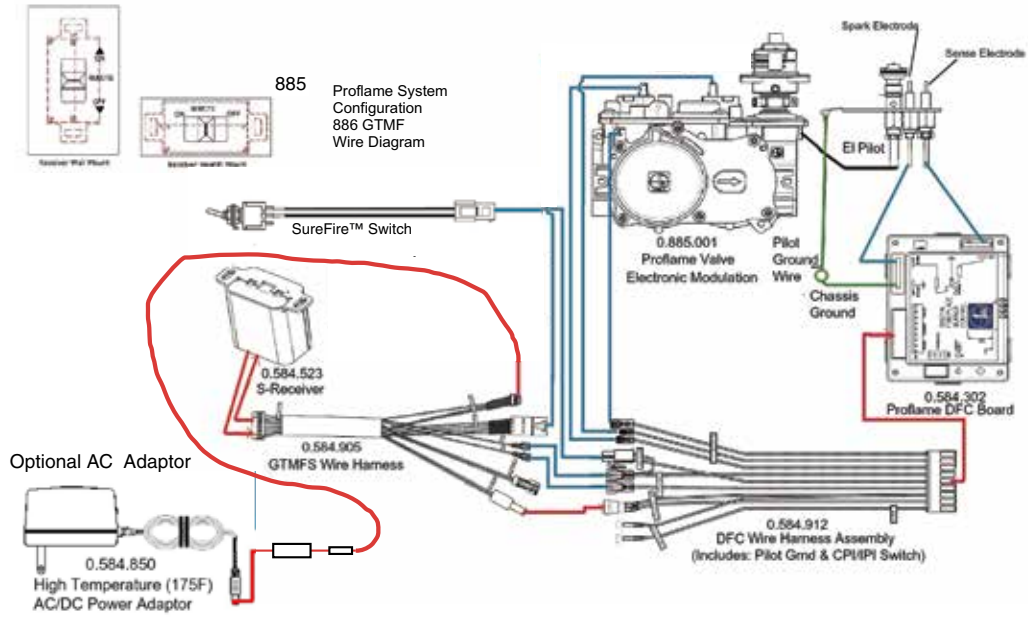


IMPORTANT: If the optional remote control is used, the AA batteries normally installed into the battery holder must be removed. The AA batteries in the receiver now operate the unit. Having AA batteries in both the battery holder and receiver will damage the gas valve.

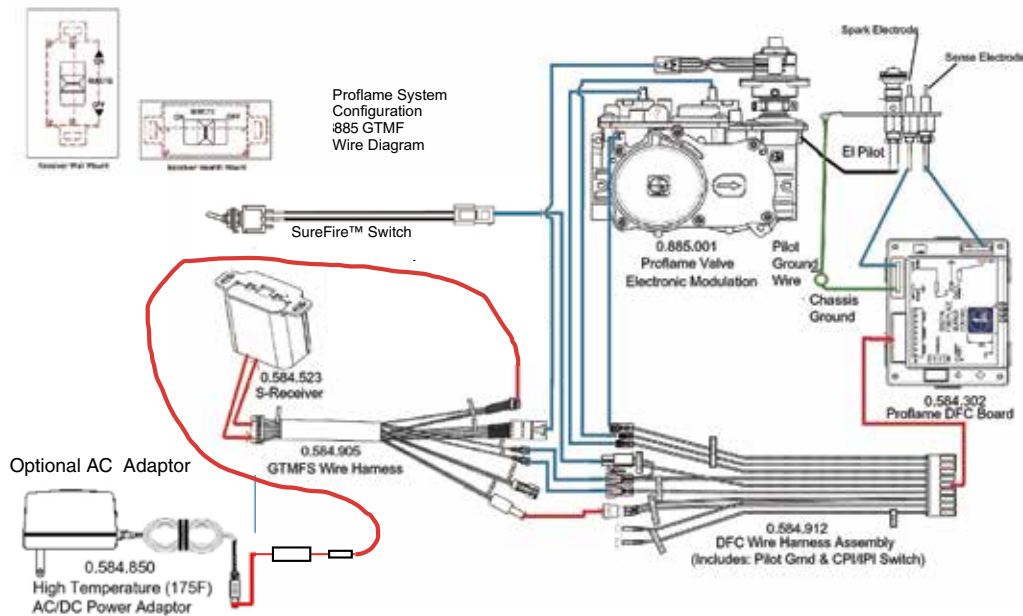
Caution: Ensure that the wires do not touch any hot surfaces and are away from sharp edges.

CAUTION: Label all wires prior to disconnection when servicing controls. Wiring errors can cause improper and dangerous operation.

PROFLAME SYSTEM GT



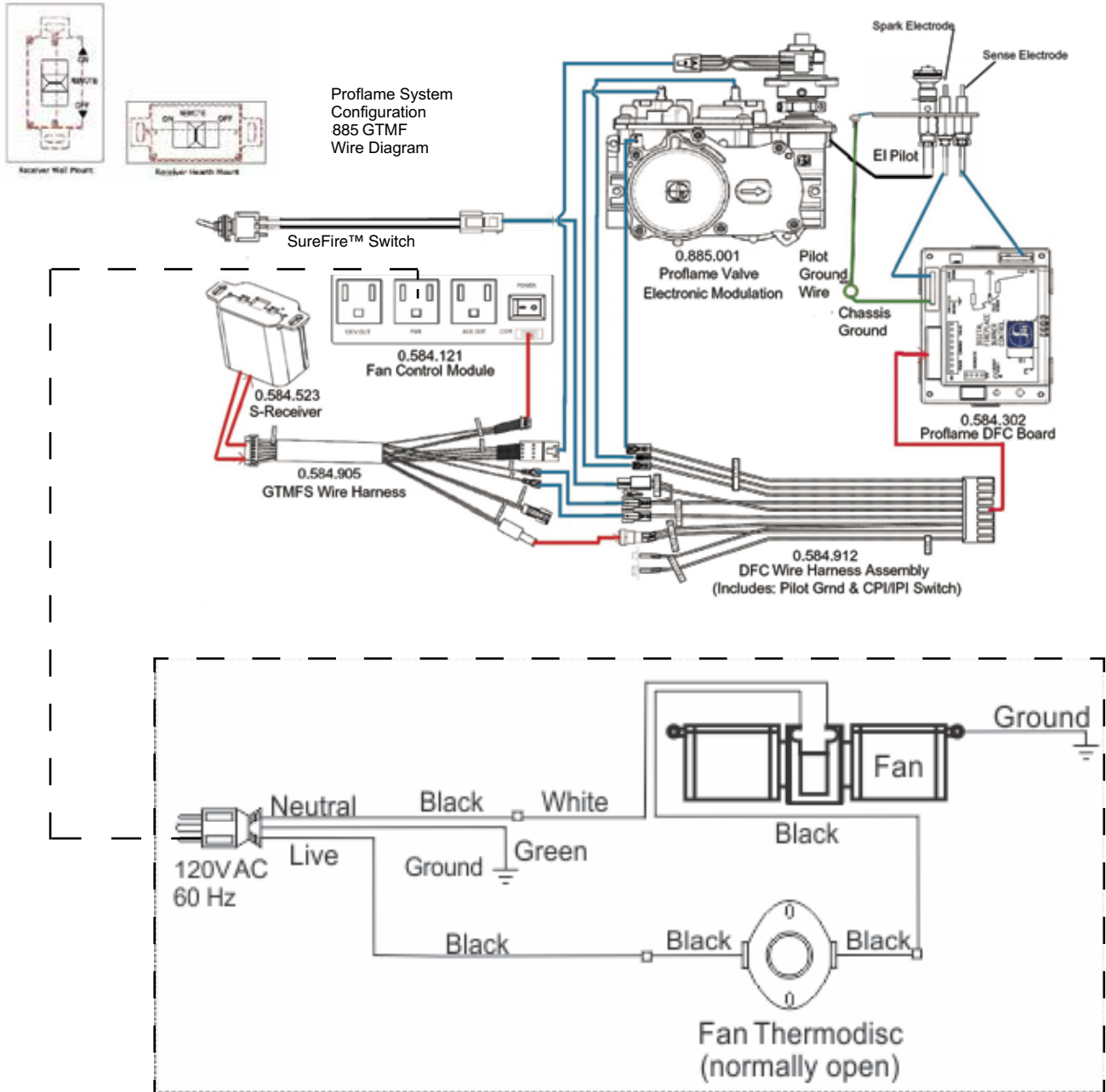
PROFLAME SYSTEM GTM



CAUTION: Label all wires prior to disconnection when servicing controls. Wiring errors can cause improper and dangerous operation.

Caution: Ensure that the wires do not touch any hot surfaces and are away from sharp edges.

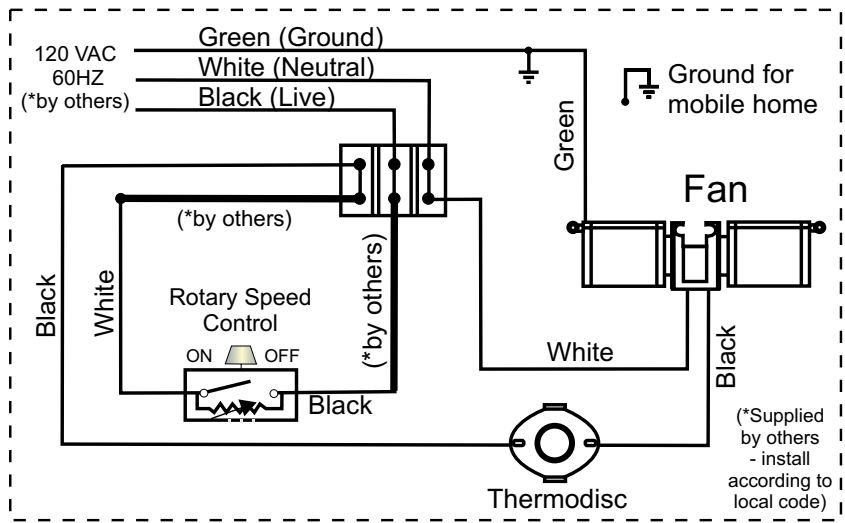
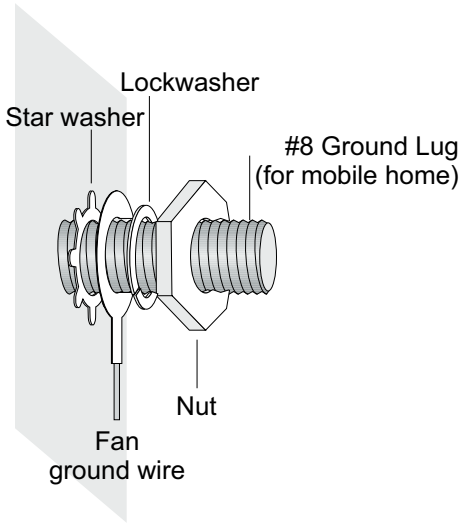
PROFLAME SYSTEM GTMF WITH OPTIONAL FAN



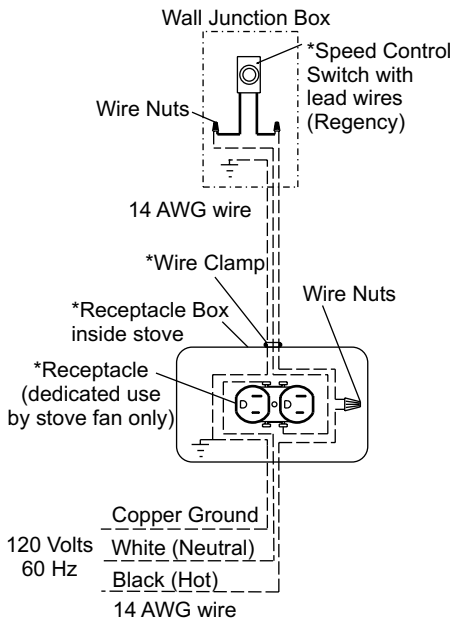
Caution: Ensure that the wires do not touch any hot surfaces and are away from sharp edges.

CAUTION: Label all wires prior to disconnection when servicing controls. Wiring errors can cause improper and dangerous operation.

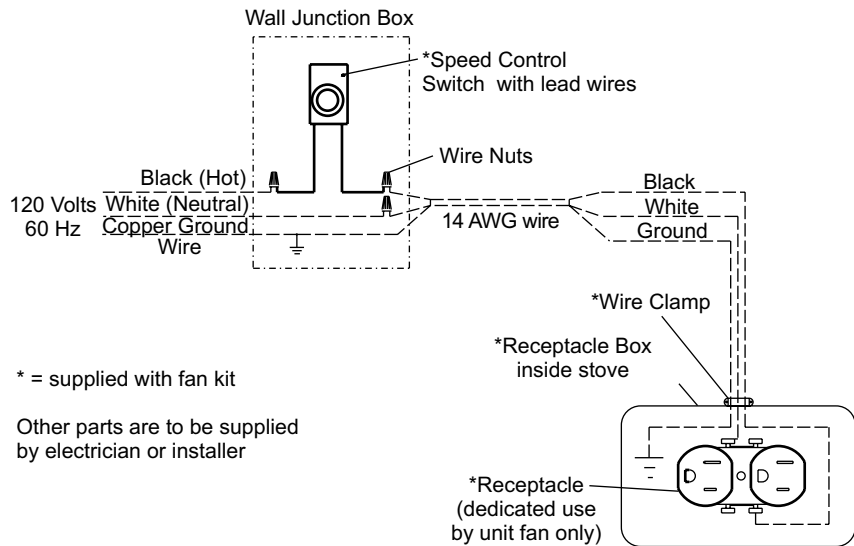
**OPTIONAL FAN WIRING DIAGRAM
WITHOUT PROFLAME GTMF SYSTEM**



**Electrical Connection Alternative Scheme "A",
Power at Stove**



**Electrical Connection Alternative Scheme "B",
Power at Switch**



Caution: Ensure that the wires do not touch any hot surfaces and are away from sharp edges.

CAUTION: Label all wires prior to disconnection when servicing controls. Wiring errors can cause improper and dangerous operation.

Optional REMOTE CONTROL

Use the Regency® Remote Control approved for this unit. Use of other systems may void your warranty.

The remote control comes with a hand held transmitter and a receiver.

*Proflame GT remote control (HZ40E Surefire) 946-690
RF remote, ON/OFF Thermostat, ON/OFF Flame Control
Large blue backlit LCD screen with temperature display receiver.

*Proflame GTM remote control (HZ40E Surefire) 946-691.
RF remote, ON/OFF Thermostat, ON/OFF Flame Control
Large blue backlit LCD screen with temperature display receiver.

**Proflame GTMF remote control (HZ40E Surefire) 946-692.
RF remote, ON/OFF Thermostat, ON/OFF Flame Control

ON/OFF fan control with 3-stage adjustment, . Requires a fan (if not included), to be installed for fan function to operate.

*Must also chose one of the following which enables the flame to be turned down using the remote control:

*Modulator Surefire NG 946-693

*Modulator Surefire LP 946-694

Large blue backlit LCD screen with temperature display receiver.

****Important:** Must also choose a 10 foot Proflame GTMF wire harness in order to attach wire harness to receiver located on wall for this remote control.

CAUTION
**Do not wire millivolt
remote control wires
to 120V wire.**

WALL MOUNT ON/OFF SWITCH AND BATTERY COMPARTMENT INSTALLATION AND/OR RECEIVER INSTALLATION

REQUIRED FOR ALL INSTALLATIONS - INCLUDING PROFLAME REMOTE CONTROLS

IMPORTANT INSTALLATION NOTE:

The Receiver must be placed inside the supplied (Low Voltage) junction type wall box and installed into the wall only.

DO NOT INSTALL WITHIN THE CONFINES OF THE FIREPLACE.

Remote Receiver Installation

1. Install the low voltage junction box to the framing, at desired location within 10 ft. from fireplace.
2. Feed the 12 pin connector through the opening at back of junction box.
3. Connect the 12 pin connector to the back of the receiver.
4. Install the Receiver in the Low Voltage Junction box.
5. Insert the 4 AA type batteries in the battery compartment with the correct polarity.
6. Place the slider into the cover plate.
7. Put the Receiver switch in the "OFF" position, to allow correct lineup for slider switch.
8. Make sure the Receiver and cover plate words "ON" and "UP" are on the same side.
9. Align the slider with the switch on the Receiver and couple the switch into the slider.
10. Align the screw holes.
11. Using the two (2) screws provided secure the cover plate to the Receiver.



Low Voltage Junction Box

Optional Proflame Receiver

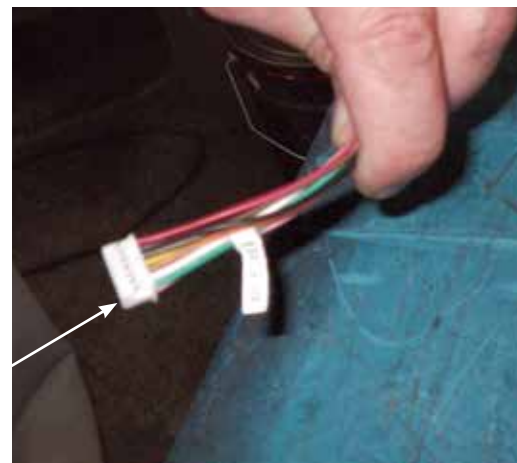
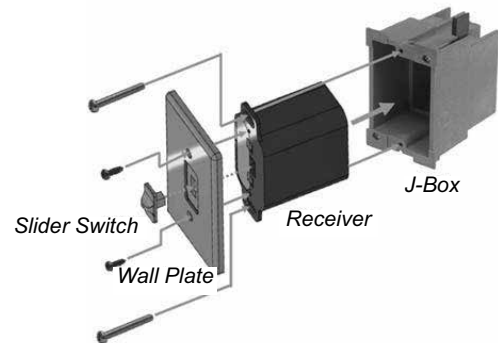
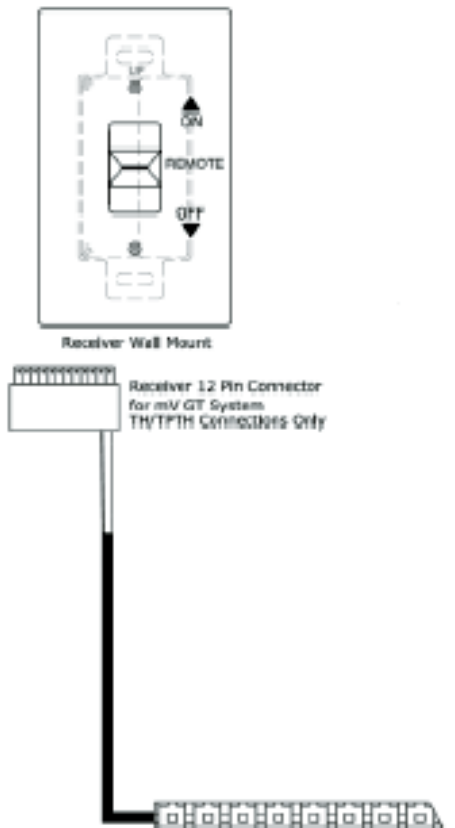


Diagram 1

ON/OFF SWITCH AND BATTERY COMPARTMENT INSTALLATION

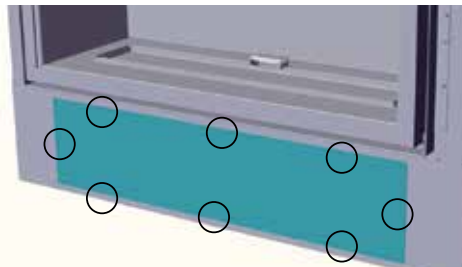
ON/OFF Switch - Wall mount installation

Important: If installing only the ON/OFF switch, both the switch and battery compartment must be installed on a wall. The AA batteries power this unit and need to be accessible when it comes time to replacing the batteries.

1. Install the junction box to the framing, at desired location within 10 ft. from fireplace.
2. Feed the 2 wire harness supplied with the unit through the opening at back of junction box.
The ON/OFF switch wires are located on the right side of the unit.
3. Connect the 2 wires to the ON/Off switch.
4. Install the Switch in the Low Voltage Junction box.
5. Using the two (2) screws provided, secure the white switch cover plate.

Battery Compartment Wall Mounting Installation

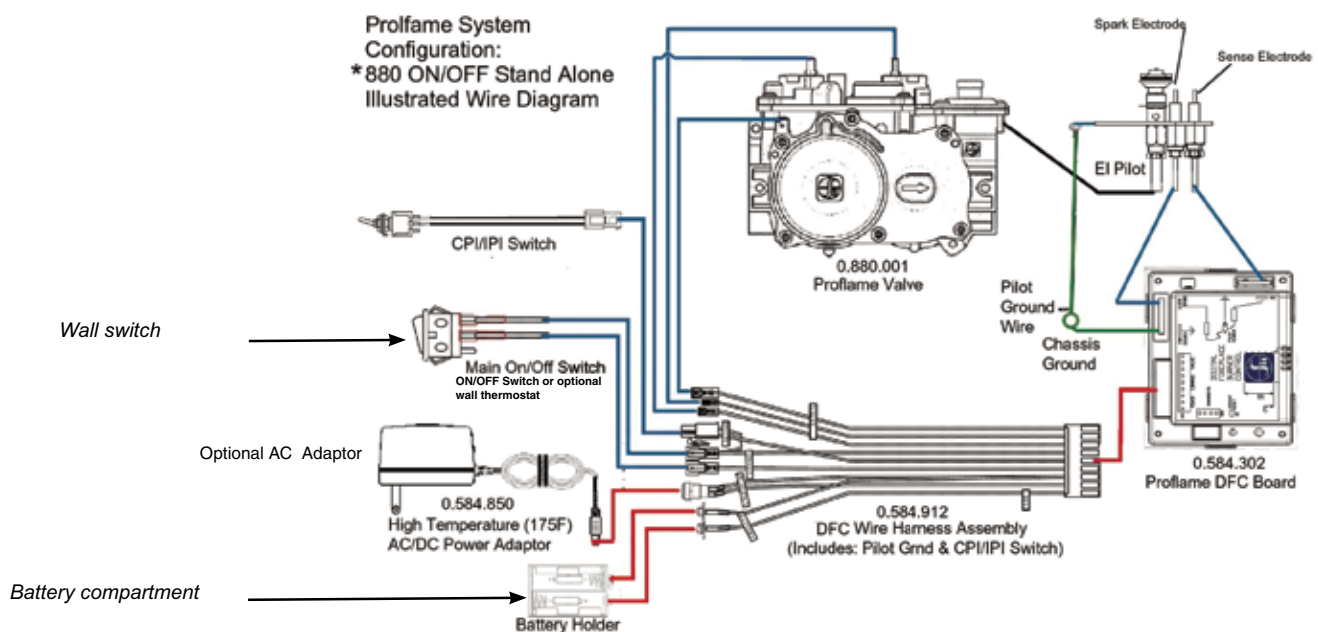
1. Install the junction box to the framing, at desired location within 10 ft. from fireplace.
2. Remove 8 screws to remove front access panel



3. Locate battery terminal leads at fireplace and attach battery terminal wires supplied with unit to lead at fireplace.
4. Feed the battery terminal leads from fireplace through the opening at the back of junction box.
5. Attach battery compartment supplied with unit to battery terminal leads.
6. Insert the 4 AA batteries into the battery compartment. With correct polarity.

Note: Ensure switch is in OFF position prior to installing batteries.

7. Install battery compartment into junction box.
8. Using the two (2) screws provided, secure the sealed white cover plate.



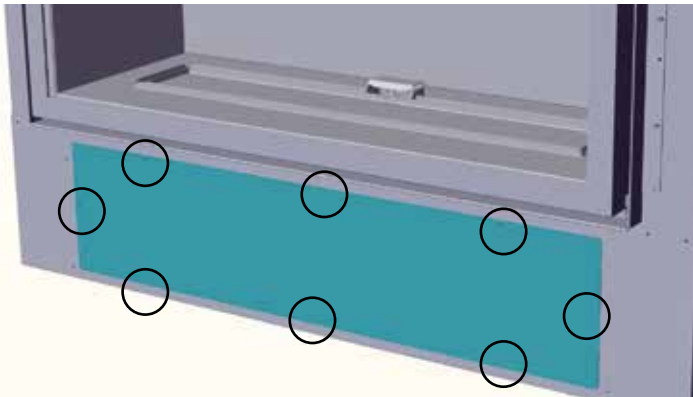
GTMF REMOTE INSTALLATION

120 Volt AC power is needed for the fan. The fan can be hard wired if desired. The receptacle box should be installed on the right hand side of the unit by a qualified electrician. The neutral (wider) slot of the polarized receptacle should be at the top.

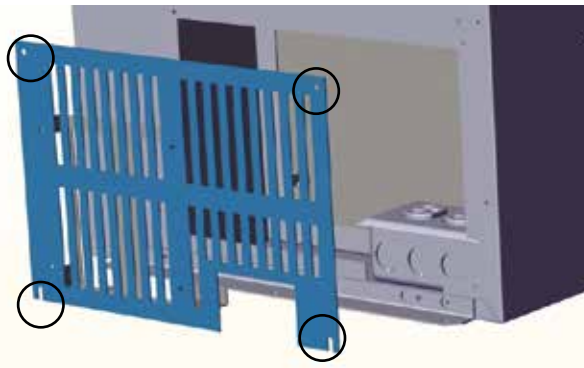
Unit must be grounded at all times. Do not cut the ground terminal off under any circumstances.

Note: Follow instructions below - if unit has not yet been installed - otherwise skip to existing installations section.

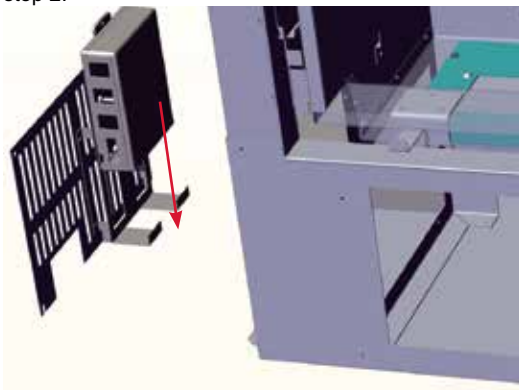
- 1) Remove 8 screws to remove front access panel.



- 2) Remove 2 top screws and loosen 2 bottom screws to remove side access panel.



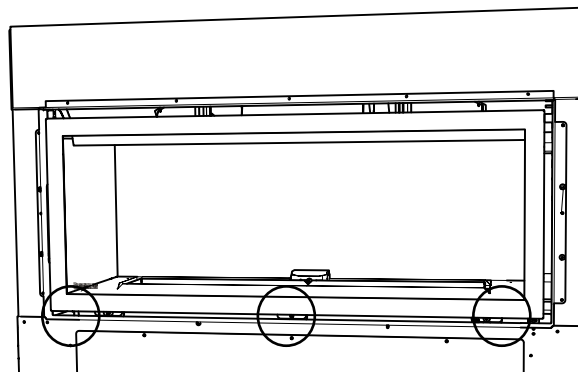
- 3) Install fan control module (FCM) into bracket on the inside of the panel, plug the (FCM) into the outlet in the unit - reinstall the panel with 4 screws from step 2.



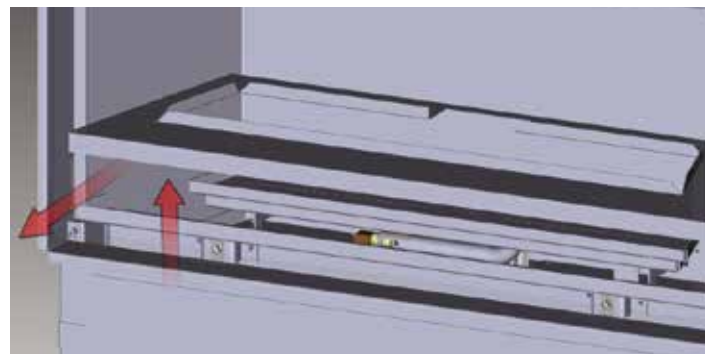
- 4) Proceed to Step 11.

INTO EXISTING INSTALLATIONS

- 1) Shut off the gas and power supply to the unit.
- 2) Remove the faceplate or door frame - see instruction in manual.
- 3) Remove the glass door.
 - a) Remove the 3 screws shown below at the bottom of the glass door.
 - b) Swing the door out 45° from the bottom and lift up and out.



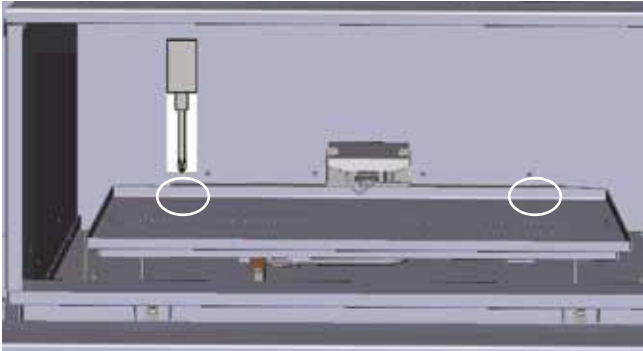
- 4) Remove the inner panels - reverse of "Inner panel Installation" in the installation manual.
- 5) Remove the burner tray cover by lifting up and out as shown below.



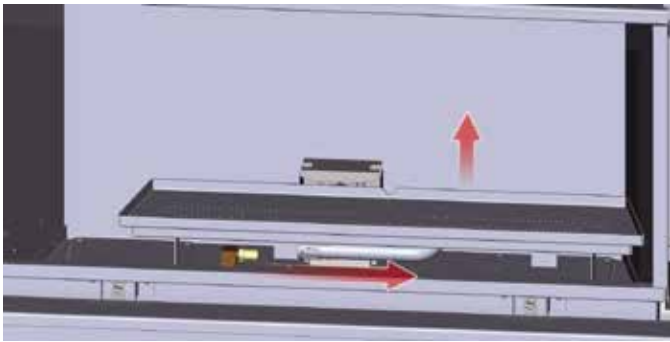
* Prior to removing burner - remove crystals, pebbles, spa stones and inner panels - if installed.

INSTALLATION

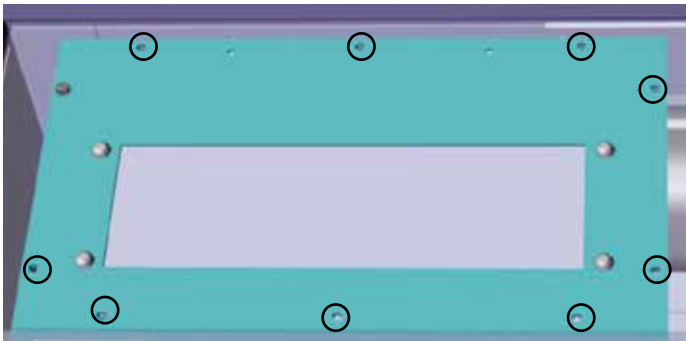
- 5) Loosen 2 screws at the back of the burner to release it.



- 6) Remove the burner by sliding it to the right - then lift out.

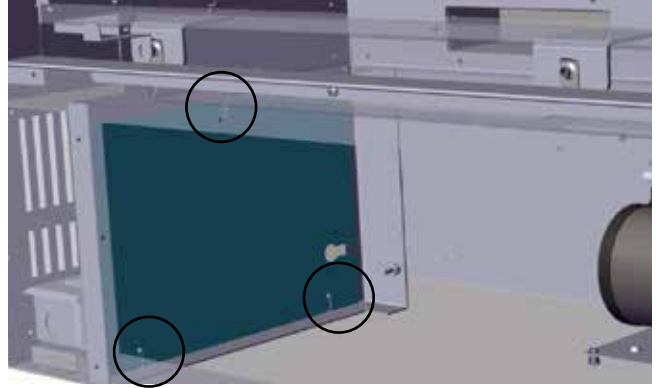


- 7) Remove the left access plate by removing 8 screws - see locations below.

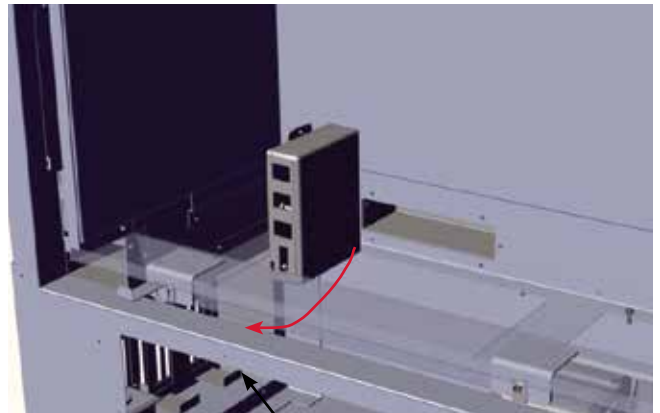


- 8) Once the top panel is removed - the left side panel will be accessible. Remove 3 screws from the left side access panel in locations shown below.

Note: Some components have been removed for illustration purposes.

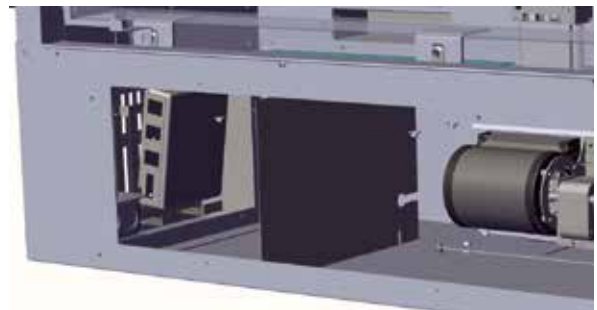


- 9) Install the fan control module (FCM) through the opening created by the removed left side access panel.

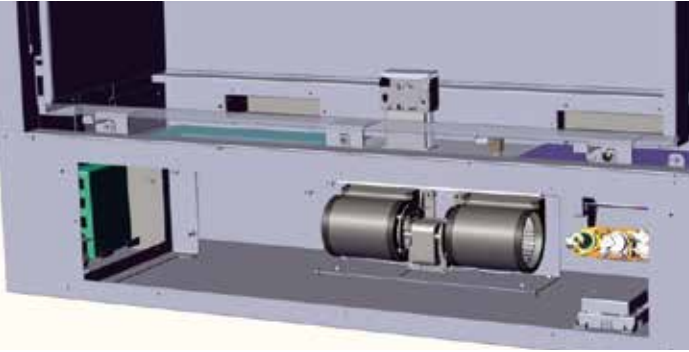


Left side access

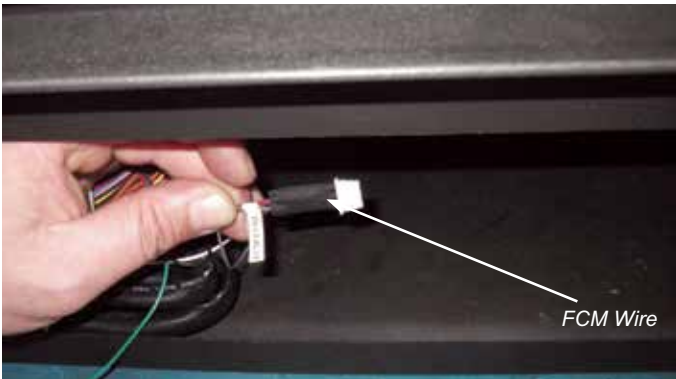
- 10) Install the fan control module (FCM) into the bracket as shown below.



- 11) Locate the digital firebox control box.



- 12) Plug the fan power cord into the fan control module in the outlet marked **fan**. Plug in the FCM wire (from the digital firebox control box wire harness) into the location on the fan control module marked **com**



- 13) See Proflame remote instructions for coding remote to receiver as well as operating instructions.

- 14) Reverse steps 2-1 for new installations.
Reverse steps 8 - 1 for existing installations.

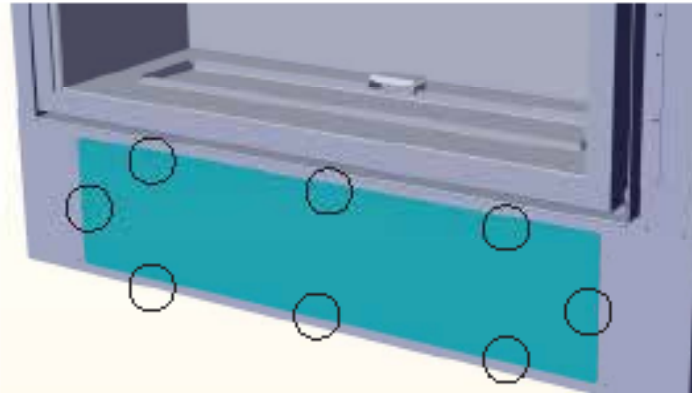
OPTIONAL FAN INSTALLATION

120 Volt AC power is needed for the fan switch and blower. The fan can be hard wired if desired. The receptacle box should be installed on the left hand side of the unit by a qualified electrician. The neutral (white) slot of the polarized receptacle should be at the top.

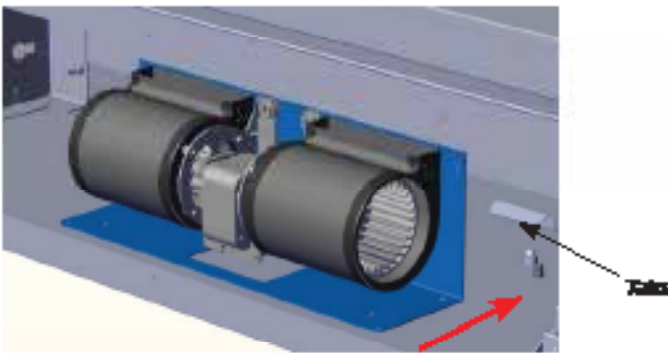
Unit must be grounded at all times. Do not cut the ground terminal off under any circumstances.

Follow these instructions before the initial installation into the framing. If installing the optional fan into an existing installation - follow instructions on the next two pages.

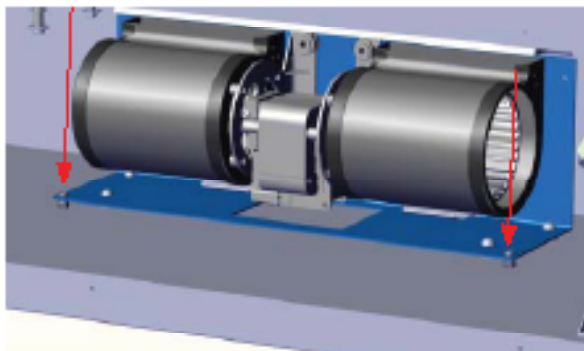
- 1) Remove 6 screws to remove front access panel.



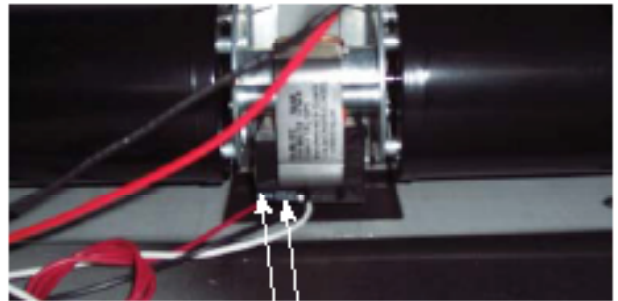
- 2) Slide the fan assembly through the front access panel - slide all the way back to the back of the two tabs.



- 3) Secure the fan to the floor of the unit with 2 screws, in locations shown below.



- 4) Attach the thermocouple wires - (by sliding them on) to the fan as shown below.



- 5) Slide in the thermocouple to the clip on in the location shown below.



Thermocouple clip

- 6) Secure the green ground wire to the ground lug located in the lower right of the unit.



- 7) Plug the fan into the receptacle located in the lower left front corner at the base of the unit.

NOTE: If installing the fan with a GTFM remote - please see GTFM remote instructions in the manual.

TO REMOVE THE FAN

- 1) Turn the power off.
- 2) Reverse the above instructions.

Maintenance: The sealed bearings are lubricated, there is no need to lubricate them further. (Extra lubricant will cause more oil and dust buildup - causing the bearings to prematurely fail). Regular cleaning and vacuuming of the fan area will add to the life of the motor.

IMPORTANT:

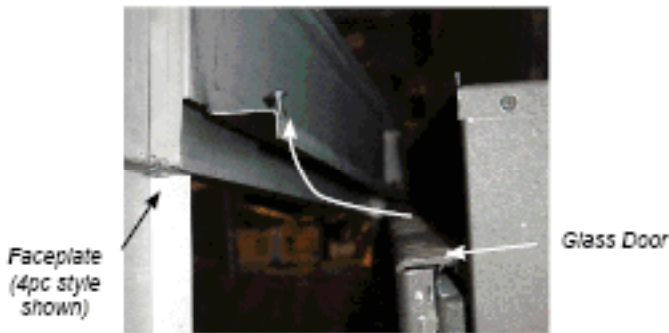
These fans collect a lot of dust from within your home. Ensure you maintain these fan motors on a regular basis by vacuuming the fan blades and housing using a soft brush nozzle.

OPTIONAL FAN INSTALLATION - INTO EXISTING INSTALLATIONS

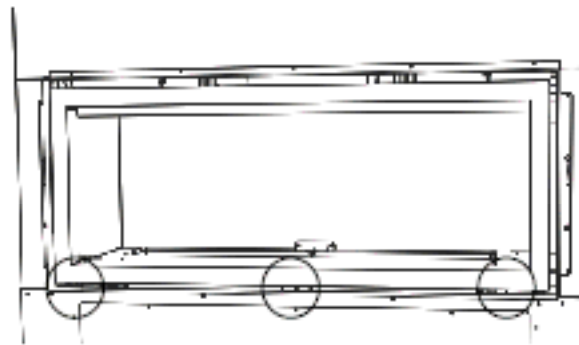
120 Volt AC power is needed for the fan switch and blower. The fan can be hard wired if desired. The receptacle box should be installed on the left hand side of the unit by a qualified electrician. The neutral (wider) slot of the polarized receptacle should be at the top.

Unit must be grounded at all times. Do not cut the ground terminal off under any circumstances.

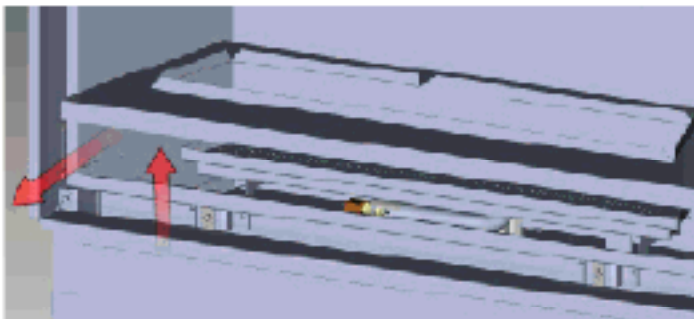
- 1) Shut off the gas and power supply to the unit.
- 3) Remove the faceplate or door frame by lifting it up off the glass door.



- 4) Remove the glass door.
 - a) Remove the 3 screws shown below at the bottom of the glass door.
 - b) Swing the door out 45° from the bottom and lift up and out.

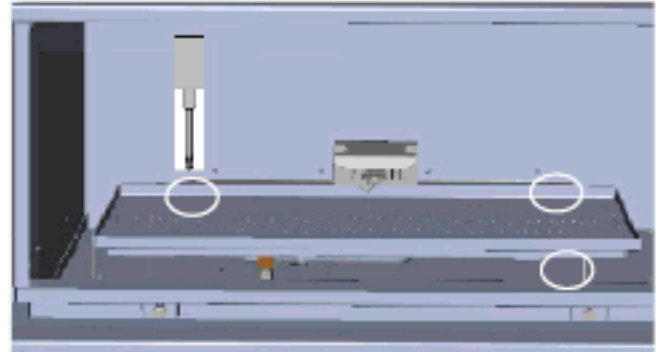


- 5) Remove the inner panels - reverse of "Inner panel Installation" in the Installation manual.
- 6) Remove the burner tray cover by lifting up and out as shown below.

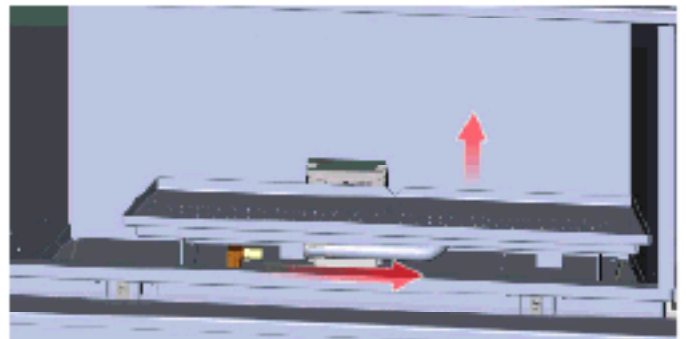


* Prior to removing burner - remove crystals, pebbles, spa stones and inner panels - if installed.

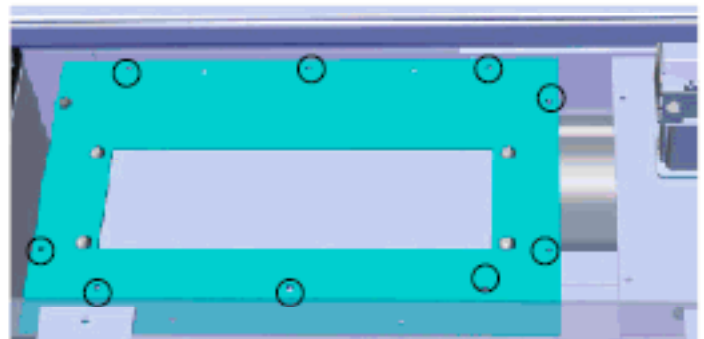
- 7) Loosen 3 screws at the back of the burner to release it.



- 8) Remove the burner by sliding it to the right - then lift out.

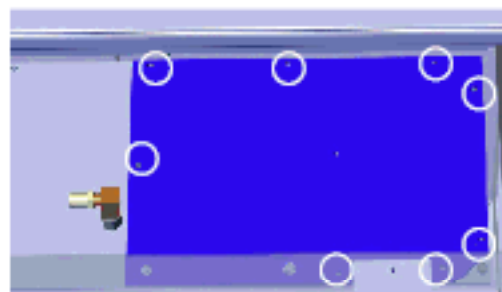


- 9) Remove the left access plate by undoing the 8 screws - see locations below.



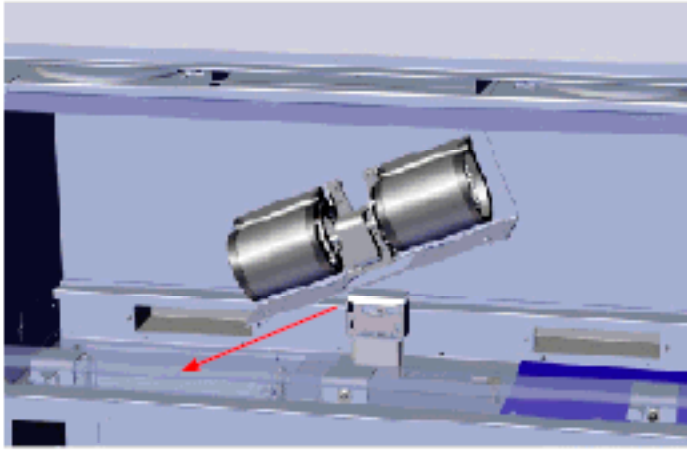
Location of screws on access plate

- 10) Remove the left access plate by undoing the 8 screws - see locations below.



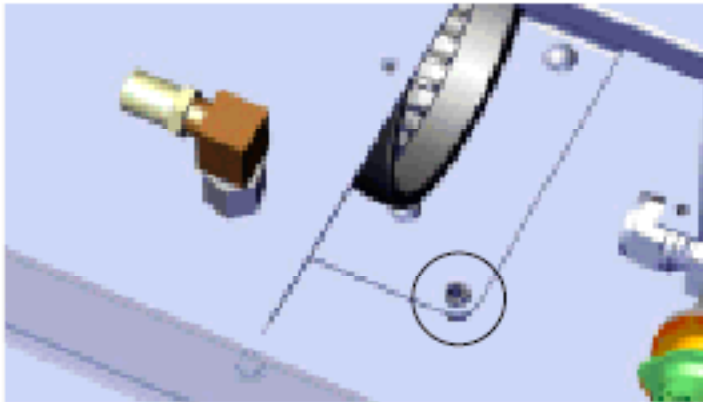
INSTALLATION

10) Maneuver fan through left access panel opening.



11) To complete fan installation - follow steps 2-7 on previous page.

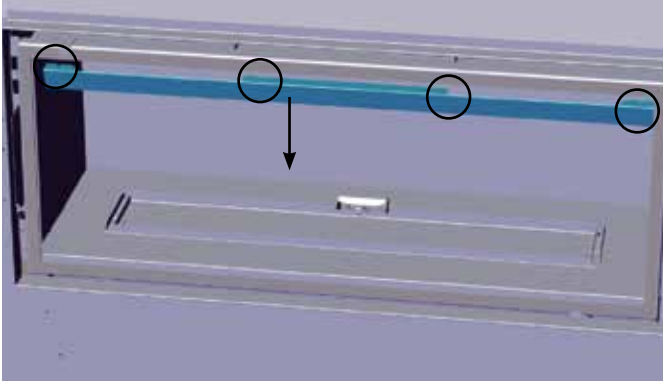
NOTE: The right access panel was removed to allow easier access to secure the right screw on the fan base.



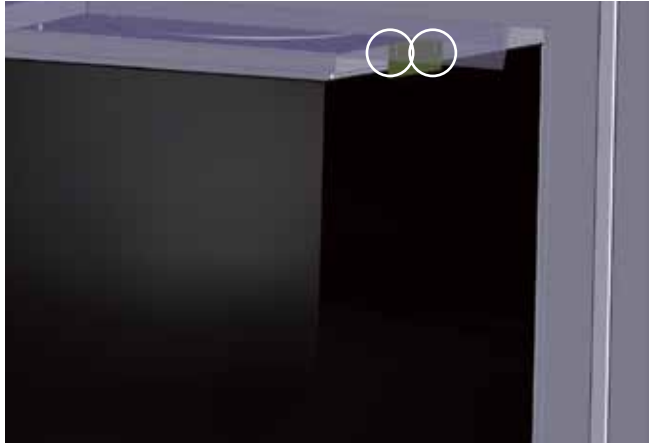
12) Reverse steps 9-1 to complete Install.

INNER PANEL INSTALLATION

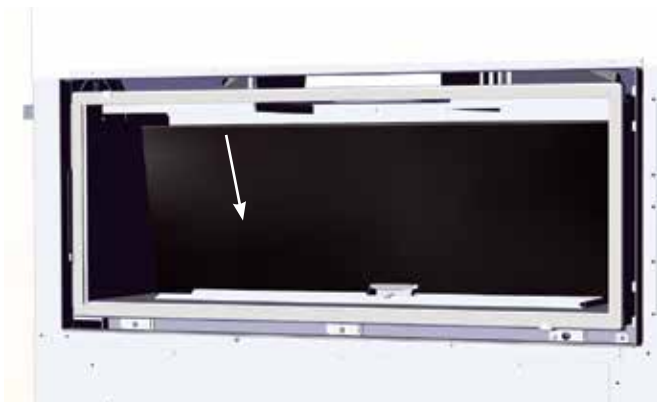
- 1) Remove the faceplate and glass door if already installed - see manual for instructions.
- 2) Remove 4 screws to remove top heat deflector.



- 5) Install the right side panel - secure in position with the panel clip and two screw.



- 3) Install the back panel first. Tilt the panel forward - position the bottom of the panel first. Use care not to scratch or mar the panel on the pilot shield.



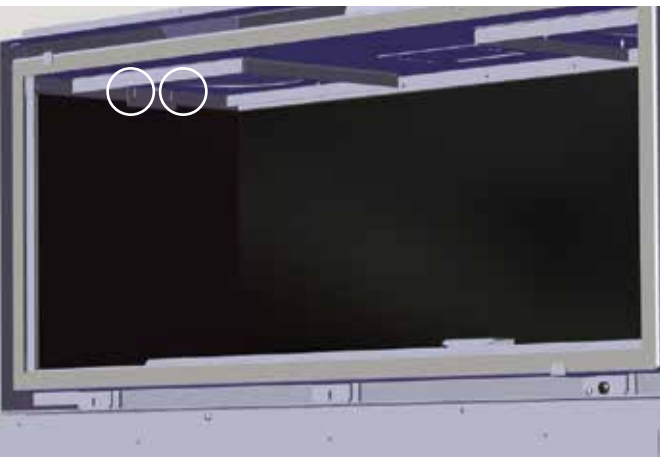
- 6) Reinstall heat deflector.

- 7) Reinstall glass door - reinstall faceplate.



Final Install

- 4) Install the left side panel - secure in position with the panel clip and two screws, as shown in the diagram below.



GLASS CRYSTALS OR OPTIONAL CERAMIC STONES INSTALLATION ON BURNER

Evenly spread the Glass Crystals or optional Ceramic Spa Stones over the burner. Ensure the crystals (or stones) do not overlap too much as this will effect the flame pattern.

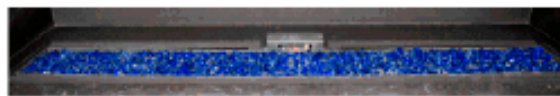
IMPORTANT NOTE:

Only the supplied approved Glass Crystals and Ceramic Spa Stones are to be used with these fireplaces. Use of any other type of glass crystals or stones can alter the unit's performance, any damage caused by the use of any unapproved glass or stones will not be covered under warranty.

When using Ceramic Spa Stones DO NOT cover burner ports or pilot light that lead to pilot flame. Ensure the crystals or stones do not overlap excessively as this will effect the flame pattern.

BURNER PACKAGES		
Unit	*Glass Crystals	Ceramic Spa Stones
HZ54E / HZ54EPV	3 lbs	1 lb Glass + 2 packages (140 spa stones)
HZ42 / HZ42E / HZ40E	2 lbs	1 lb Glass + 1 package (70 spa stones)
HZ42ST / HZ42STE HZ42STEPV	2 lbs	1 lb Glass + 1 package (70 spa stones)
HZ30E **	1 lb	1 lb Glass + 1 package (70 spa stones)**
HZ1234E ***	3/4 lb	3/4 lb Glass + 1 package (70 spa stones)***
HZ1390E/ HZ1390EB *	7 lbs [4 lbs burner + 3 lbs firebox]	2 lb Glass + 1 package (70 spa stones)
HZ1540EB *	8 lbs [4 lbs burner + 4 lbs firebox]	2 lb Glass + 1 package (70 spa stones)
HZO42/HZO42 (AUS)	3 lbs	Not Approved
L676S	1 lb	1 package = (70 spa stones)
P33S/P33SE ****	1 lbs	1 package = (70 spa stones)****
PTO30*/Plateau Series	10 lbs	Not Approved
PTO60*	20 lbs	Not Approved
U32S / U32SE	1 lb	1 package = (70 spa stones)
E33S	1 lb	1 package = (70 spa stones)

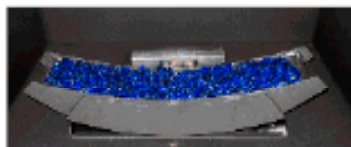
NOTE: * Glass Crystals are available in 1lb and 5lb bags. All units come standard with Cobalt Blue glass crystals except:
 * HZO42 comes with Copper glass crystals.
 * HZ1390E, HZ1390EB, HZ1540EB, PTO30, PTO60 & Plateau Series do NOT include glass crystals with units. Must purchase separately.
 • 1 Ceramic Spa stone package contains 70 stones.
 • 1 Ceramic Garden stone package contains 50 stones.
 ** Recommended - use only 40 of the 70 ceramic stones on the HZ30E burner.
 *** Recommended - use only 24 of the 70 ceramic stones on the HZ1234E burner.
 **** Recommended - use only 50 of the 70 ceramic stones on the P33S/P33SE burner.



Glass Crystals shown on Burner
 For Units HZ54E, HZ54EPV, HZ42ST, HZ42STE, HZ42STEPV,
 HZ1234E, HZ42E, HZ42, HZ40E, HZ30E,
 HZO42, HZO42 (AUS) PTO30, PTO60 Plateau Series only



Optional Ceramic Spa Stones + Glass Crystals shown on burner.
 For Units HZ54E, HZ54EPV, HZ42ST, HZ42STE, HZ42STEPV,
 HZ1234E, HZ42, HZ42E, HZ40E, HZ30E only



Glass Crystals shown on Burner
 For units P33S, P33SE, L676S, U32S, U32SE, E33S only



Optional Ceramic Spa Stones shown on burner.
 For units P33S, P33SE L676S, U32S, U32SE, E33S only



Glass Crystals shown on Burner and Firebox Floor
 For Units HZ1390E, HZ1390EB, HZ1540EB only

OPTIONAL PEBBLE / CRYSTAL INSTALLATION FOR FIREBOX BASE

Firebox (Around Burner) Packages		
Unit	Glass Crystals	Pebbles
HZ54E / HZ54EPV	6 lbs	2 packages (6 x bags pebbles)
HZ42 / HZ42E / HZ40E	5 lbs	2 packages (6 x bags pebbles)
HZ42ST / HZ42STE / HZ42STEPV	5 lbs	2 package (6 x bags pebbles)
HZ30E	2 lbs	1 package (3 x bags pebbles)
HZI540EB	4 lbs	1.5 packages (4 x bags pebbles)
HZI390E/ HZI390EB	3 lbs	1 package (3 x bags pebbles)
HZI234E	2 lbs	1 package (3 x bags pebbles)
HZO42 / HZO42 (AUS)	3 lbs	1 package (3 x bags pebbles)
P33S / P33SE	3 lbs	1 package (3 x bags pebbles)
U32S / U32SE	3 lbs	1 package (3 x bags pebbles)
E33S	3 lbs	1 package (3 x bags pebbles)

There are 2 optional packages to choose from to cover the firebox base:

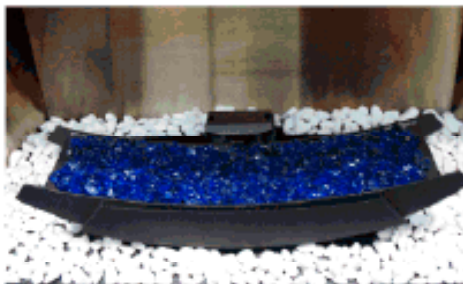
- 1) Natural River Pebbles
- 2) Glass Crystals (4 colors available)

Spread the pebbles / crystals evenly on the exposed base of the firebox. Pebbles are **NOT** to be placed anywhere on the burner or over top of the Glass Crystals or optional Ceramic Spa Stones.

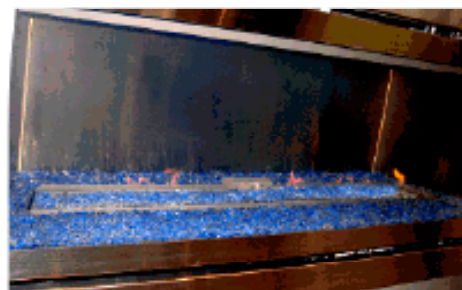
IMPORTANT NOTE: Only the supplied and approved pebbles / glass crystals are to be used with these fireplaces. Use of any other type of pebbles, glass crystals or other material can create a danger and will void the warranty.



Natural River Pebbles shown surrounding the a Horizon Burner



River Pebbles shown surrounding a Sunrise Burner



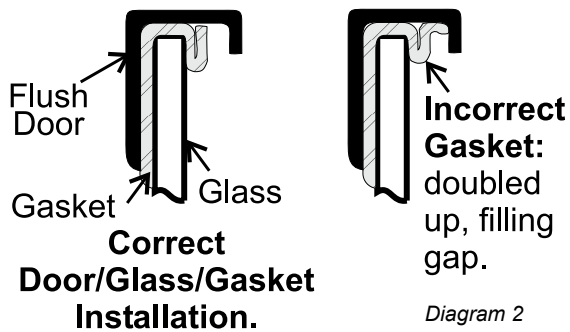
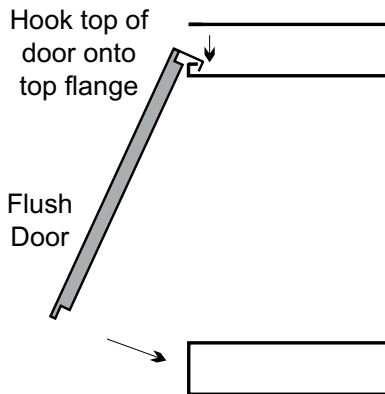
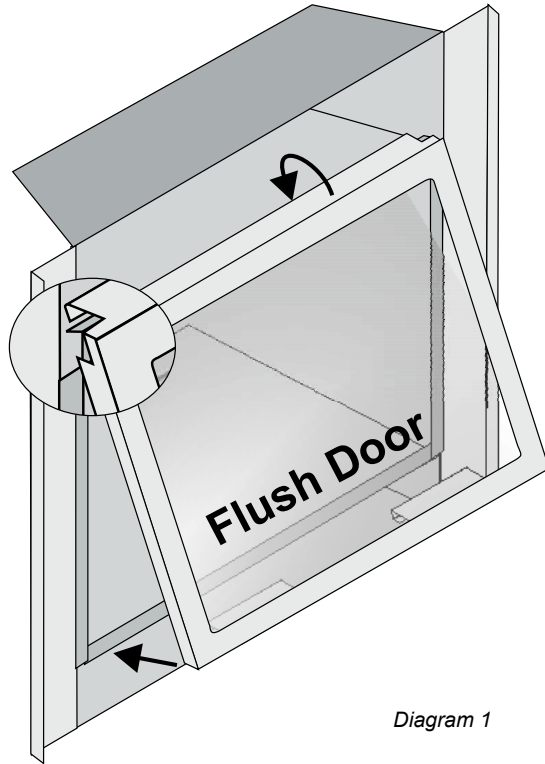
Glass Crystals shown surrounding the Burner

GLASS DOOR INSTALLATION

The glass door comes with a black frame.

1) To install the frame and glass door, simply hook the top door flange onto the top of the unit and swing the door towards the unit, Diagram 1.

Note: Be careful that the glass gasket does not roll up; there must be a gap between the gasket and the door lip to ensure that the door sits securely on the unit. See Diagram 2.



2) With the door in proper position - secure with 2 screws in locations shown in Diagram 3.

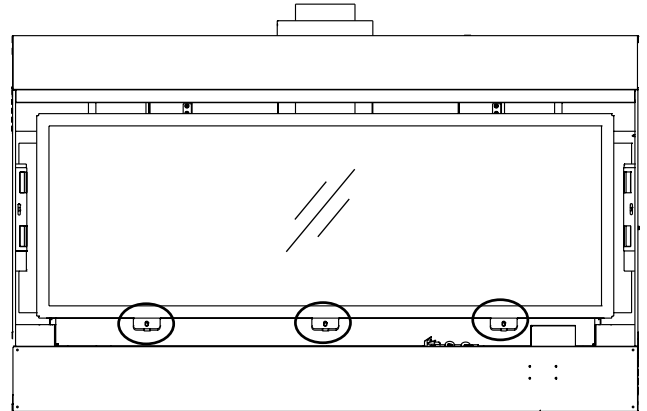
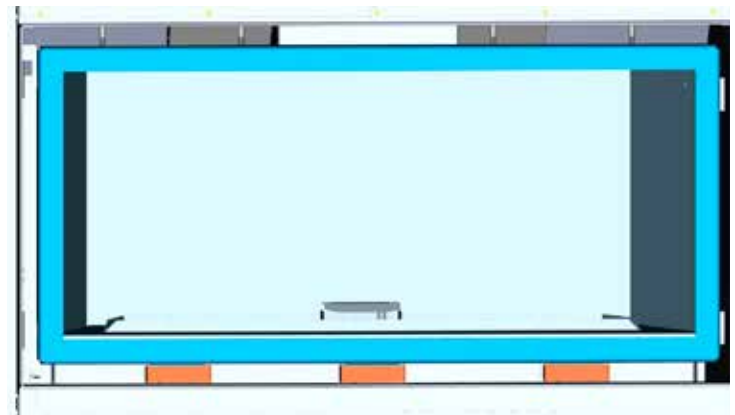
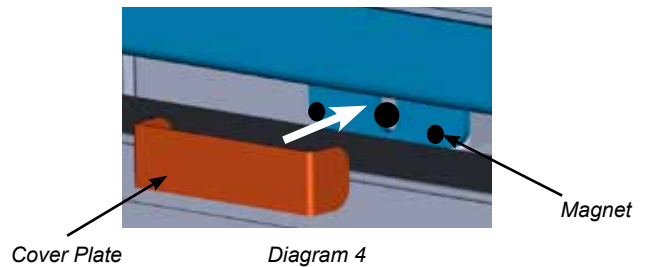


Diagram 3

3) Install cover plates over each screw with 2 magnets each as shown below.



Cover Plates Installed

Diagram 5

OPTIONAL MESH GLASS GUARD

- 1) Remove left side and right side door frame screws.



- 2) Using existing door frame screw, install lower mesh mounting brackets on left side and right side, as shown.



Lower mesh mounting brackets

- 3) Install mesh screen, flush side facing out.



- 4) Install left side and right side top mounting clips approximately 3" from each side.

NOTE: Clips should line up with the edge of the outer edge of the glass door flange - see glass door install for illustration.

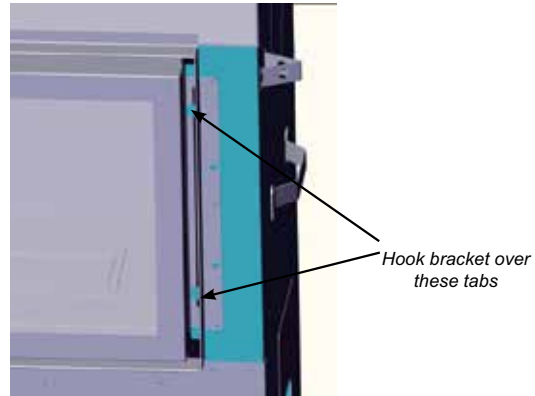
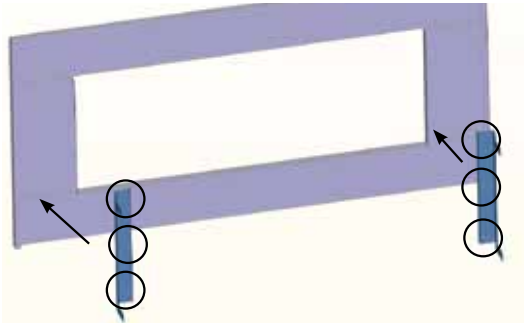


Mesh mounting clips

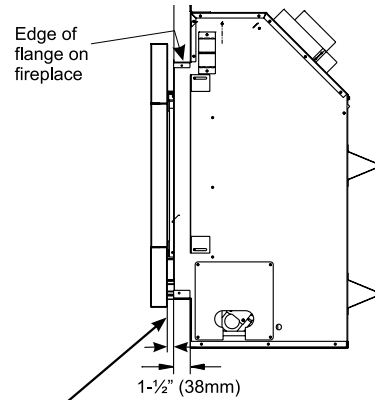
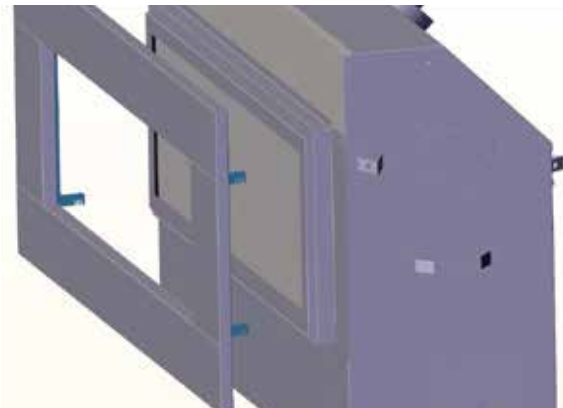
- 5) Install faceplate - refer to faceplate installation instructions in manual.

4 PIECE FACEPLATE INSTALLATION

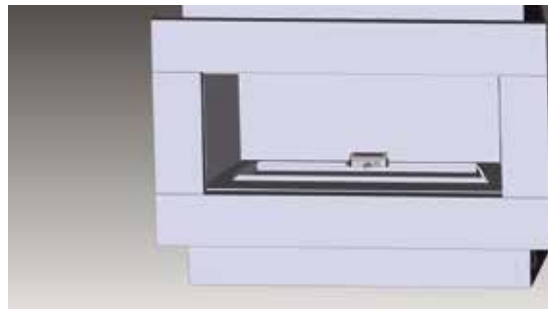
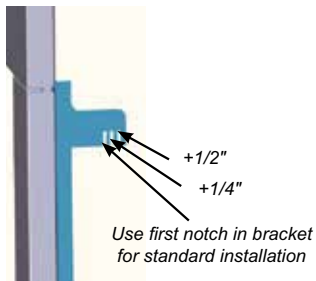
- 1) If installing optional mesh glass guard - See optional "Mesh Glass Guard" installation instructions.
- 2) Install brackets onto the back of the faceplate - 3 screws for each bracket in locations shown below.



- 3) To install the 4 pc. faceplate - hook brackets (located on back of faceplate) over the two middle tabs on the glass door frame. If thicker finishing materials are used - the faceplate may be adjusted out - up to 1/2".



Important: 1/2" gap required between faceplate and finished wall when using part #256-924, 256-926, 256-927 (4 pc. faceplate).

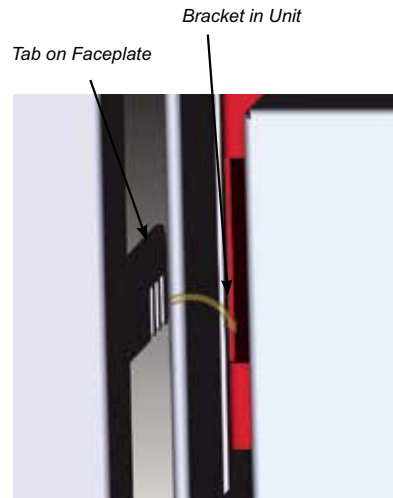
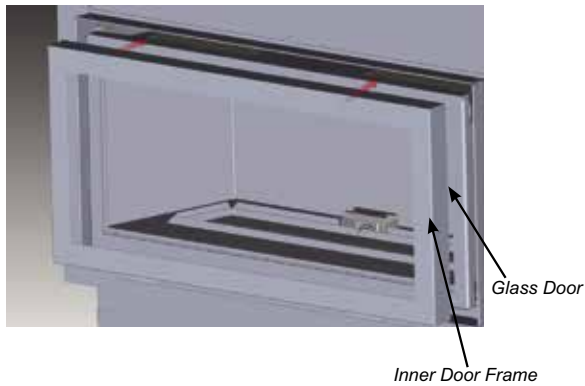


Final Install

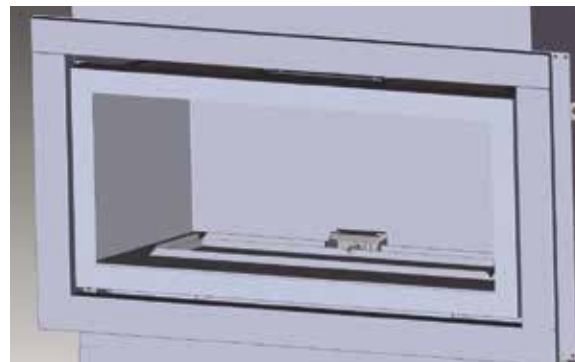
INNER AND OUTER DOOR FRAME INSTALLATION

Note: HZ40E only - if installing optional mesh glass guard - See optional mesh glass guard instruction in the manual.

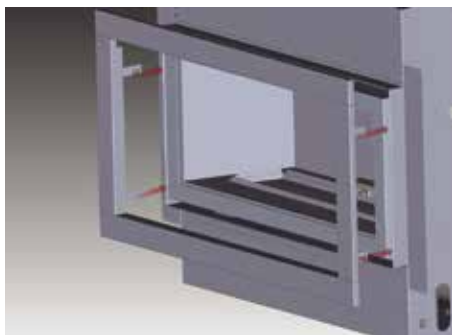
- 1) Install 4 magnets onto 4 corners of glass frame prior to installing the inner door frame.
- 2) Install the inner door frame - fit it over the glass door frame.



- 3) Install the outer door frame to the unit by hooking the left and right side mounting brackets into the mounting slots at the side of the firebox as shown below. It is recommended that you use the first mounting slot (the one closest to the door frame overlay) out of the 3 so that the faceplate and door frame overlay are flush with one another. **NOTE:** There are 3 mounting slots available, this is to accommodate any finishing that protrudes slightly beyond the faceplate.



Completed inner door frame and faceplate installation



Note: Inner door frame may be installed by itself, or with the outer door frame. The outer door frame cannot be installed by itself - if installing the outer door frame - the inner door frame must also be installed.

OPERATING INSTRUCTIONS

OPERATING INSTRUCTIONS

- 1) Read and understand these instructions before operating this appliance.
- 2) Check to see that all wiring is correct and enclosed to prevent possible shock.
- 3) Check to ensure there are no gas leaks.
- 4) Make sure the glass in the glass door frame is properly positioned. Never operate the appliance with the glass removed.
- 5) Verify that the venting and cap are unobstructed.
- 6) The unit should never be turned off, and on again without a minimum of a 60 second wait.

FIRST FIRE

The **FIRST FIRE** in your heater is part of the paint curing process. To ensure the paint is properly cured, it is recommended you burn your fireplace for at least four (4) hours the first time.

When first operated, the unit will release an odour caused by the curing of the paint and the burning off of any oils remaining from manufacturing. Smoke detectors in the house may go off at this time. Open a few windows to ventilate the room for a couple of hours. The glass may require cleaning.

NOTE: When the glass is cold and the appliance is lit, it may cause condensation and fog the glass. This condensation is normal and will disappear in a few minutes as the glass heats up.

DO NOT ATTEMPT TO CLEAN THE GLASS WHILE IT IS STILL HOT!

DO NOT BURN THE UNIT WITHOUT THE GLASS DOOR IN PLACE.

During the first few fires, a white film may develop on the glass front as part of the curing process. The glass should be cleaned after the unit has cooled down or the film will bake on and become very difficult to remove. Use a non-abrasive cleaner and DO NOT ATTEMPT TO CLEAN THE GLASS WHILE IT IS HOT.

LIGHTING PROCEDURE

IMPORTANT

To ignite or reignite the pilot, you must first remove the glass door.

- 1) Press and release on ON/OFF button once on the remote control or ON/OFF switch.
- 2) After approximately 4 seconds the spark ignition system will spark for 60 seconds to light the main burner.
- 3) The unit will turn on.

Note: The first try for ignition will last approximately 60 seconds. If there is no flame ignition (rectification) the board will stop sparking for approximately 35 seconds. After wait time, the board will start second try for ignition by sparking for approximately 60 seconds. If there is still no positive ignition the board will go into lock out.

The system will need to be reset as follows:

- a) Turn the system off using ON/OFF switch or press ON/OFF button - if using optional remote.
- b) After approximately 2 seconds turn on ON/OFF switch or press ON/OFF button if using optional remote.
- c) Repeat step 2.

If the appliance will not operate, follow the instructions "To Turn Off Gas to Appliance" and call your service technician or gas supplier.

SHUTDOWN PROCEDURE

- 1) Turn the wall mounted switch or remote to the "OFF" position.
- 2) Press "OFF" on the remote control.

NORMAL OPERATING SOUNDS OF GAS APPLIANCES

It is possible that you will hear some sounds from your gas appliance. This is perfectly normal due to the fact that there are various gauges and types of steel used within your appliance. Listed below are some examples. All are **normal operating sounds** and should not be considered as defects in your appliance.

Burner Tray:

The burner tray is positioned directly under the burner and is made of a different gauge material from the rest of the firebox and body. Therefore, the varying thicknesses of steel will expand and contract at slightly different rates which can cause "ticking" and "cracking" sounds. You should also be aware that as there are temperature changes within the unit these sounds will likely re-occur. Again, this is normal for steel fireboxes.

Pilot Flame:

While the pilot flame is on it can make a very slight "whisper" sound.

Gas Control Valve:

As the gas control valve turns ON and OFF, a dull clicking sound may be audible, this is normal operation of a gas regulator or valve.

Unit Body/Firebox:

Different types and thicknesses of steel will expand and contract at different rates resulting in some "cracking" and "ticking" sounds will be heard throughout the cycling process.

Blower Thermodisc:

When this thermally activated switch turns ON it will create a small "clicking" sound. This is the switch contacts closing and is normal.

MAINTENANCE INSTRUCTIONS

- 1) Always turn off the gas and electrical supply before cleaning. For relighting, refer to lighting instructions. Keep the burner and control compartment clean by brushing and vacuuming at least once a year.
 - 2) Clean appliance and door with a damp cloth (never when unit is hot). Never use an abrasive cleaner. The glass should be cleaned with a gas fireplace glass cleaner. **The glass should be cleaned when it starts looking cloudy.**
 - 3) The faceplate is finished in a heat resistant paint and should only be refinished with heat resistant paint. Regency® uses StoveBright Paint - Metallic Black #6309.
- Note: Faceplates and inner panels made from stainless steel will naturally change color over time.**
- 4) Make a periodic check of burner for proper position and condition. Visually check the flame of the burner periodically, making sure the flames are steady; not lifting or floating. If there is a problem, call a qualified service person.
 - 5) The appliance and venting system must be inspected before use, and at least annually, by a qualified field service person, to ensure that the flow of combustion and ventilation air is not obstructed.

Note: Never operate the appliance without the glass properly secured in place.

- 6) Do not use this appliance if any part has been under water. Immediately call a qualified service technician to inspect the appliance and to replace any part of the control system and any gas control which has been under water.
- 7) In the event this appliance has been serviced check that the vent-air system has been properly resealed & reinstalled in accordance with the manufacturer's instructions.
- 8) Verify operation after servicing.

GLASS GASKET

If the glass gasket requires replacement use a tadpole glass gasket (Part # 936-159).

GLASS DOOR

Your Regency® fireplace is supplied with high temperature 5mm-Ceramic glass. If your glass requires cleaning, we recommend using an approved glass cleaner available at all authorized dealers. Do not use abrasive materials.

CAUTION & WARNINGS:

- * Do not clean when the glass is hot.
- * The use of substitute glass will void all product warranties.
- * Care must be taken to avoid breakage of the glass.
- * Do not strike or abuse the glass.
- * Do not operate this fireplace without the glass front or with a cracked or broken glass front.
- * Wear gloves when removing damaged or broken glass.
- * Replacement of the glass panel(s) should be done by a licensed or qualified service person.

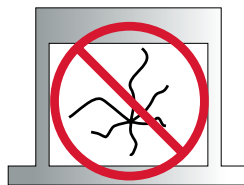
GLASS REPLACEMENT

In the event that you break your glass by impact, purchase your replacement from an authorized Regency® dealer only.

Replacement neo-ceramic glass (Part # 940-361/P) is shipped with gasket.

CAUTION: Wear gloves when removing damaged or broken glass.

WARNING: Do not operate the appliance with the glass panels removed, cracked or broken. Replacement of the glass panels should be done by a licensed or qualified service person.



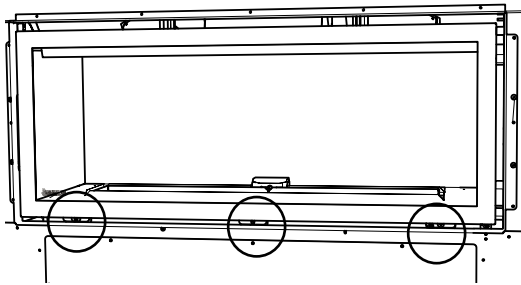
GENERAL VENT MAINTENANCE

Conduct an inspection of the venting system semi-annually. Recommended areas to inspect as follows:

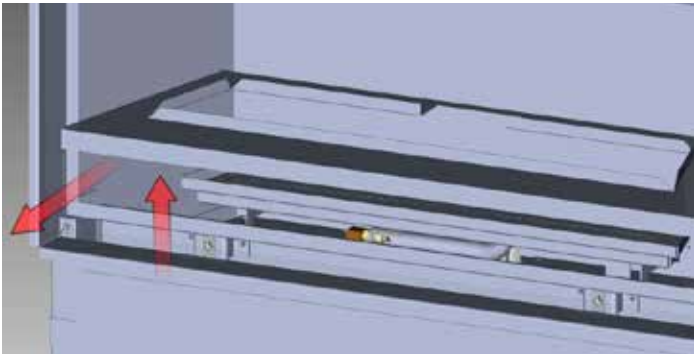
- 1) Check the Venting System for corrosion in areas that are exposed to the elements. These will appear as rust spots or streaks, and in extreme cases, holes. These components should be replaced immediately.
- 2) Remove the Cap, and shine a flashlight down the Vent. Remove any bird nests, or other foreign material.
- 3) Check for evidences of excessive condensation, such as water droplets forming in the inner liner, and subsequently dripping out the joints. Continuous condensation can cause corrosion of caps, pipe, and fittings. It may be caused by having excessive lateral runs, too many elbows, and exterior portions of the system being exposed to cold weather.
- 4) Inspect joints, to verify that no pipe sections or fittings have been disturbed, and consequently loosened. Also check mechanical supports such as Wall Straps, or plumbers' tape for rigidity.

VALVE ASSEMBLY REPLACEMENT

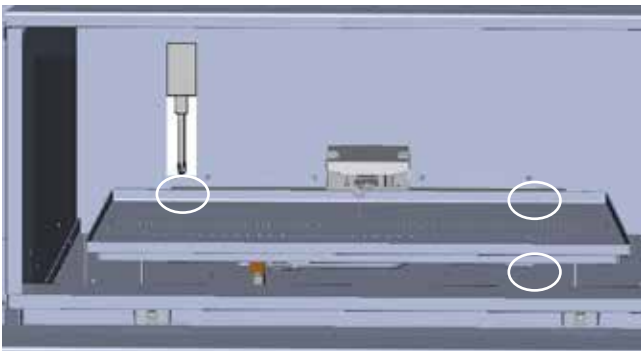
- 1) Turn the unit off and allow it to cool down to room temperature.
- 2) **Shut off** the gas and power supply to the unit.
- 3) Remove the faceplate or door frame -see instruction in this manual.
- 4) Remove the glass door.
 - a) Remove the 3 screws shown below at the bottom of the glass door.
 - b) Swing the door out 45° from the bottom and lift up and out.



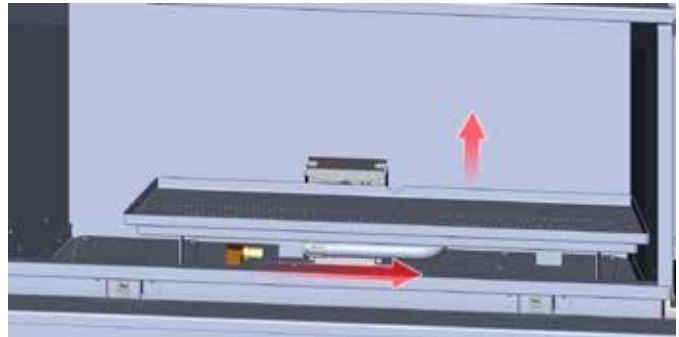
- 5) Remove the inner panels - reverse of "Inner panel Installation" in this manual.
 - 6) Remove the burner tray cover by lifting up and out as shown below.
- * Prior to removing burner - remove crystals, pebbles, spa stones and inner panels - if installed.



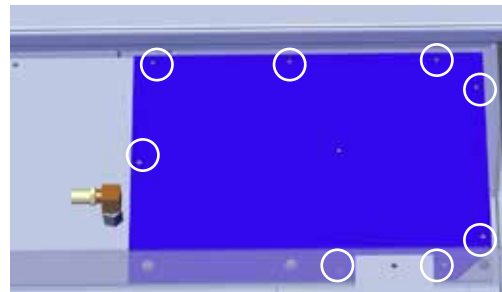
- 7) Remove 3 screws on the burner to release it - locations shown below.



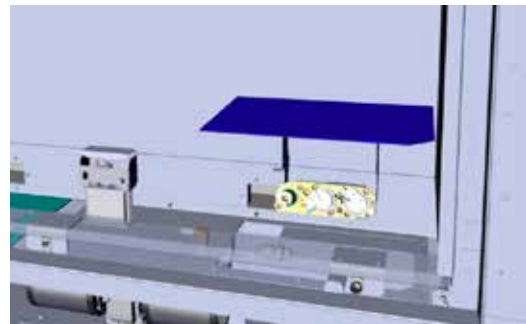
- 8) Remove the burner by sliding it to the right - then lift out.



- 9) Remove the valve access plate by undoing the 8 screws - see locations below.



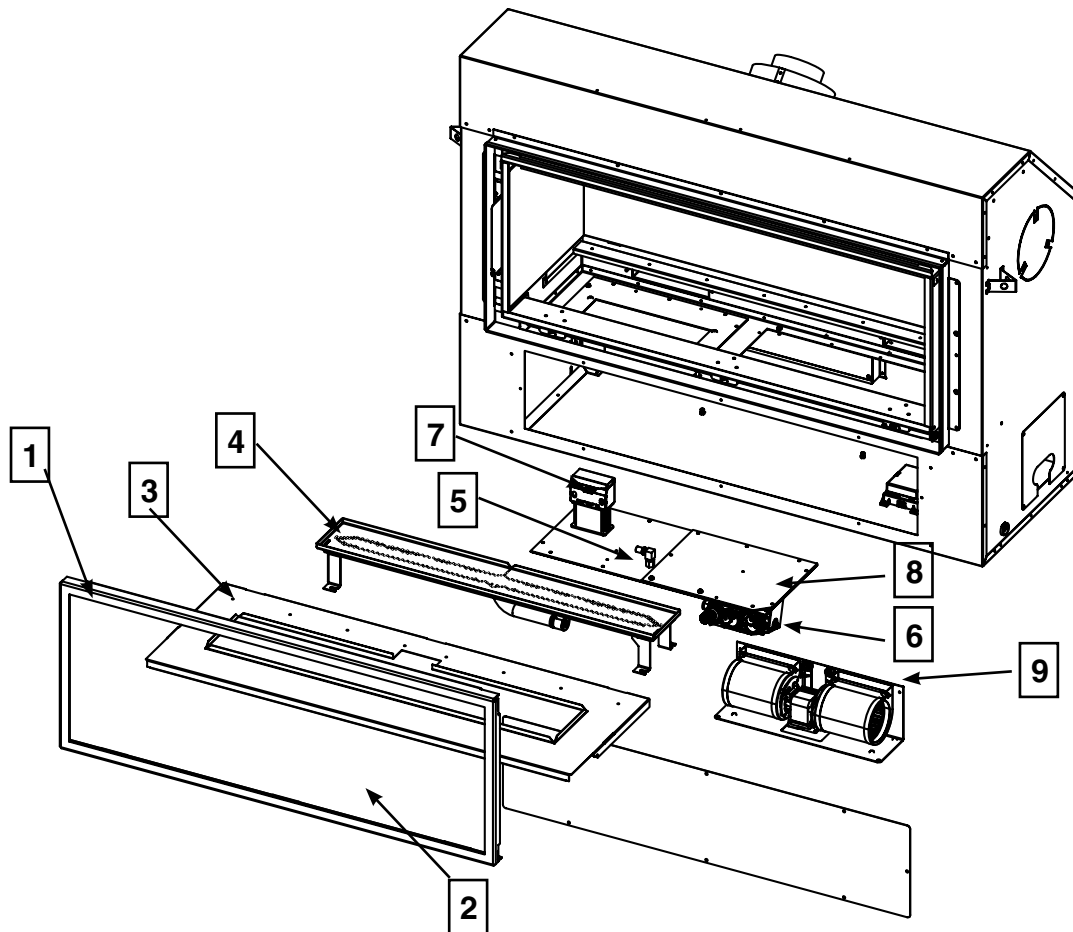
- 10) Disconnect the inlet gas line and remove the valve assembly.



- 11) Replace valve assembly and reverse steps.

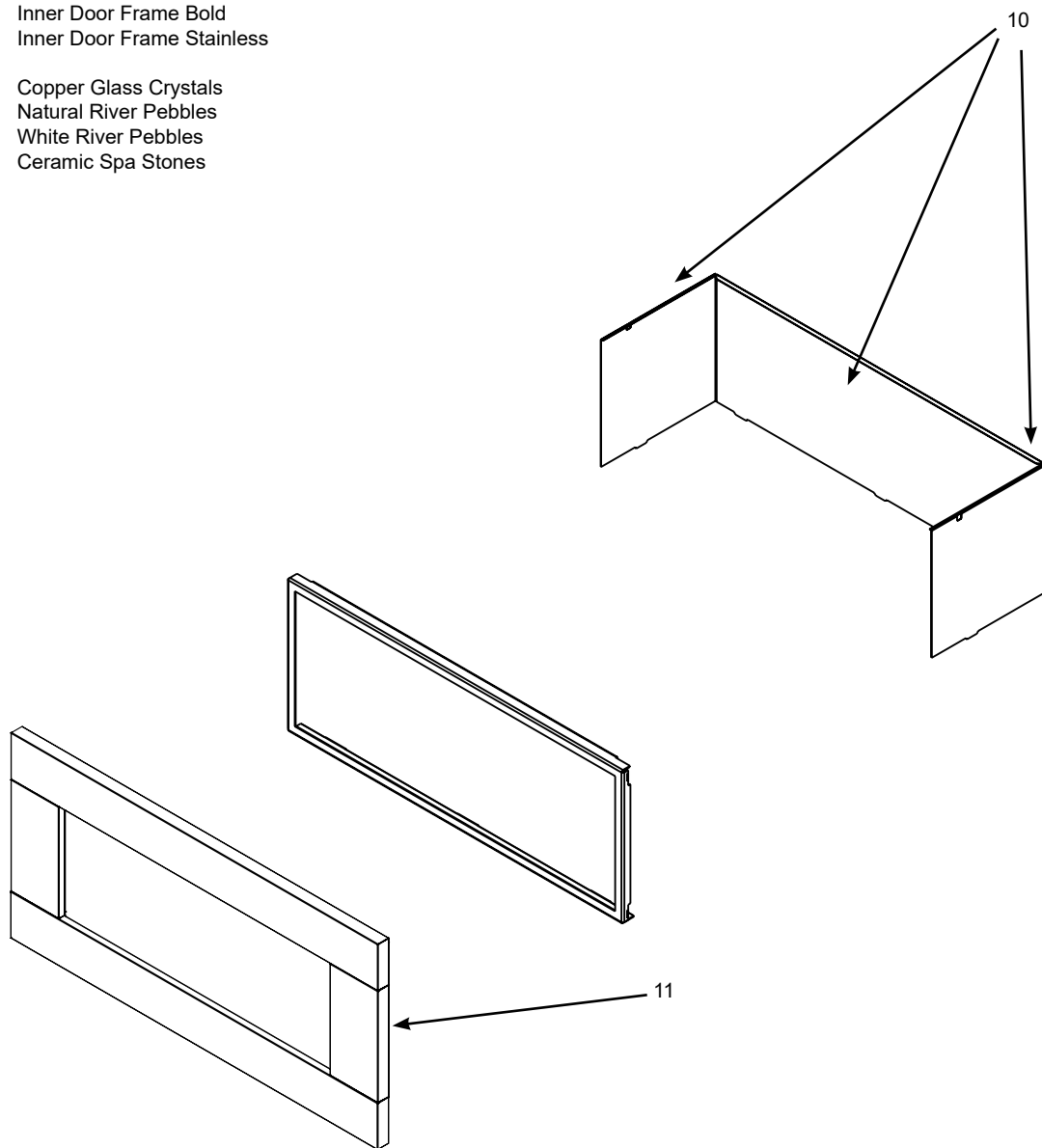
MAIN ASSEMBLY

	Part #	Description		Part #	Description
1	256-038	Frame Door HZ40E	6	911-024	Valve NG 880 SIT IPI
2	940-361/P	Glass Neoceram Flush HZ42		911-025	Valve LP 880 SIT IPI
3	256-039	Bottom Tray HZ40E	7	911-006	Pilot Assembly IPI NG
4	256-525	Burner Assembly NG c/w Cap HZ40E		911-007	Pilot Assembly IPI LP
	256-530	Burner Assembly LP c/w Cap HZ40E	8	256-574/P	Valve Assembly HZ40E NG SIT
5	904-345	Orifice #53 LP		256-576/P	Valve Assembly HZ40E NG SIT
	904-593	Orifice #40 NG	9	910-157/P	Fan Low Speed (Dual Blower)



ACCESSORIES

Part #	Description
10)	256-908 Black Enamel Inner Panels
11)	256-924 Faceplate Black
	256-926 Faceplate Sunset Bronze
	256-927 Faceplate Brushed Stainless
256-934	Outer Door Frame Black
256-936	Outer Door Frame Bold
256-947	Outer Door Frame Stainless
256-944	Inner Door Frame Black
256-946	Inner Door Frame Bold
256-947	Inner Door Frame Stainless
946-676	Copper Glass Crystals
946-672	Natural River Pebbles
946-673	White River Pebbles
946-674	Ceramic Spa Stones





Regency® Fireplace Products are designed with reliability and simplicity in mind. In addition, our internal Quality Assurance Team carefully inspects each unit thoroughly before it leaves our facility. Regency® Fireplace Products is pleased to extend this limited lifetime warranty to the original purchaser of a Regency® Product. This warranty is not transferable.

The Warranty: Limited Lifetime

The combustion chamber, heat exchanger, burner tubes/pans, logs, glass crystals, ceramic spa stones, pebbles, brick panels and gold plating (against defective manufacture only) are covered under the Limited Lifetime Warranty for five (5) years for parts and subsidized labour* and parts only thereafter.

Glass is covered for lifetime against thermal breakage only, parts and subsidized labour* for five (5) years and parts only thereafter from date of purchase.

External casting, surrounds and grills are covered against cracks and warps resulting from manufacturer defects, parts and subsidized labour* for three (3) years from the date of purchase and parts only thereafter.

Special Finishes - One year on stainless steel panels, nickel overlays, nickel faceplates, brushed nickel and antique copper full screens and doors. You can expect some changes in color as the product "ages" with constant heating and cooling. Regency warranties the product for any manufacturing defects on the original product. However, the manufacturers warranty does not cover changing colors and marks, ie. finger prints, etc applied after the purchase of the product. Damage from the use of abrasive cleaners is not covered by warranty.

Electrical and mechanical components such as blowers, switches, wiring, thermodiscs, Regency® remote controls, spill switches, thermopiles, thermocouples, pilot assembly components, and gas valves are covered for two years parts and one year subsidized labour* from the date of purchase. Blowers and valves replaced under warranty are considered repairs and continue as if new with appliance. ie. twelve (12) months from original purchase date of appliance with a minimum of three (3) months coverage from date of replacement.

Regency venting components are covered parts and subsidized labour* for three (3) years from date of purchase.

Simpson Dura-Vent venting components (Direct Vent units) are covered by Simpson Dura-Vent Inc. warranty.

Repair/replacement parts purchased by the consumer from Regency® after the original coverage has expired on the unit will carry a 90 day warranty, valid with a receipt only. Any item shown to be defective will be repaired or replaced at our discretion. No labor coverage is included with these parts.

Conditions:

Any part or parts of this unit which in our judgement show evidence of such defects will be repaired or replaced at Regency's option, through an accredited distributor or agent provided that the defective part be returned to the distributor or agent **Transportation Prepaid**, if requested.

Porcelain/Enamel - Absolute perfection is either guaranteed nor commercially possible. Any chips must be reported and inspected by an authorized dealer within three days of installation. Reported damage after this time will be subject to rejection.

It is the general practice of Regency® to charge for larger, higher priced replacement parts and issue credit once the replaced component has been returned to Regency and evaluated for manufacturer defect.

The authorized selling dealer is responsible for all in-field service work carried out on your Regency® product. Regency will not be liable for results or costs of workmanship from unauthorized service persons or dealers.

At all times Regency reserves the right to inspect product in the field which is claimed to be defective.

All claims must be submitted to Regency® by authorized selling dealers. It is essential that all submitted claims provide all of the necessary information including customer name, purchase date, serial #, type of unit, problem, and part or parts requested, without this information the warranty will be invalid.

Exclusions:

This limited Lifetime Warranty does not extend to or include paint, door or glass gasketing or trim.

At no time will Regency® be liable for any consequential damages which exceed the purchase price of the unit. Regency® has no obligation to enhance or modify any unit once manufactured. ie. as products evolve, field modifications or upgrades will not be performed.

Regency® will not be liable for travel costs for service work.

Installation and environmental problems are not the responsibility of the manufacturer and therefore are not covered under the terms of this warranty policy.

Embers, rockwool, gaskets, door handles and paint are not covered under the terms of this warranty policy.

Any unit which shows signs of neglect or misuse is not covered under the terms of this warranty policy.

The warranty will not extend to any part which has been tampered with or altered in any way, or in our judgment has been subject to misuse, improper installation, negligence or accident, spillage or downdrafts caused by environmental or geographical conditions, inadequate ventilation, excessive offsets, negative air pressure caused by mechanical systems such as furnaces, fans, clothes dryer, etc.

Freight damage to stoves and replacement parts is not covered by warranty and is subject to a claim against the freight carrier by the dealer.

Regency will not be liable for acts of God, or acts of terrorism, which cause malfunction of the appliance.

Performance problems due to operator error will not be covered by this warranty policy.

Products made or provided by other manufacturers and used in conjunction with the operation of this appliance without prior authorization from Regency®, may nullify your warranty on this product.

Any alteration to the unit which causes sooting or carboning that results in damage to the interior / exterior facia is not the responsibility of Regency®.

* Subsidy according to job scale as predetermined by FPI.

Register your Regency® warranty online www.regency-fire.com

Reasons to register your product online today!

- View and modify a list of all your registered products.
- Request automatic email notification of new product updates.
- Stay informed about the current promotions, events, and special offers on related products.

Installer: Please complete the following information

Dealer Name & Address: _____

Installer: _____

Phone #: _____

Date Installed: _____

Serial No.: _____