



U32 Sunrise™ Gas Insert

Owners & Installation Manual

MODELS: U32S-NG5
U32S-LP5



www.regency-fire.com

WARNING:

Improper installation, adjustment, alteration, service or maintenance can cause injury or property damage. Refer to this manual. For assistance or additional information consult an authorized installer, service agency or the gas supplier.

FOR YOUR SAFETY

Do not store or use gasoline or other flammable vapours and liquids in the vicinity of this or any other appliance.

Installation and service must be performed by an authorized installer, service agency or the gas supplier.

FOR YOUR SAFETY

What to do if you smell gas:

- Do not try to light any appliance
- Do not touch any electrical switch: do not use any phone in your building.
- Immediately call your gas supplier from a neighbour's phone. Follow the gas supplier's instructions.
- If you cannot reach your gas supplier, call the fire department.

Tested by:



Installer: Please complete the details on the back cover and leave this manual with the homeowner.

Homeowner: Please keep these instructions for future reference.

TO THE NEW OWNER

Congratulations! You are the owner of a state-of-the-art Gas Insert by Regency®.

The U32 Sunrise Gas Insert has been designed to provide you with all the warmth and charm of a fireplace, at the flick of a switch. The U32S-NG5 and U32S-LP5 have been approved by Warnock Hersey/Intertek for both safety and efficiency. As it also bears our own mark, it promises to provide you with economy, comfort and security for many trouble free years to follow.

Please take a moment now to acquaint yourself with these instructions and the many features of your Regency® Fireplace.



INFORMATION FOR MOBILE/MANUFACTURED HOMES AFTER FIRST SALE

This Regency product has been tested and listed by Warnock Hersey as a Direct Vent Wall Furnace to the following standards: CAN/CGA-2.17-M91, and ANSI Z21.88b-2007/CSA 2.33b-2007.

This Direct Vent System Appliance must be installed in accordance with the manufacturer's installation instructions and the Manufactured Home Construction and Safety Standard, Title 24 CFR, Part 3280, or the current Standard of Fire Safety Criteria for Manufactured Home Installations, Sites, and Communities ANSI/NFPA 501A, and with CAN/CSA Z240-MH Mobile Home Standard in Canada. See section "Manufactured Mobile Home Additional Requirements" for additional requirements.

This appliance installation must comply with the manufacturer's installation instructions and local codes, if any. In the absence of local codes follow the current National Fuel Gas Code, ANSI Z223.1 and the current National Electrical Code ANSI/NFPA 70 in the U.S.A., and the current CAN/CGA B149 Gas Installation Code and the current Canadian Electrical Code CSA C22.1 in Canada.

This Regency Mobile/Manufactured Home Listed appliance comes factory equipped with a means to secure the unit.

This Regency Mobile/Manufactured Home listed appliance comes equipped with a dedicated #8 ground lug to which an 18 gauge copper wire from the steel chassis ground must be attached.

TABLE OF CONTENTS

SAFETY LABEL

MA Code - CO Detector.....	6
----------------------------	---

DIMENSIONS

Unit Dimensions	7
-----------------------	---

INSTALLATION

Important Message	8
For Your Safety.....	8
Specifications	9
Gas Pressure Testing.....	9
Installation Into A Solid Fuel Burning Fireplace Or Factory Built Fireplace.....	9
Before You Start Installation Checklist.....	10
Manufactured Mobile Home Additional Requirements	10
Materials Required	10
Minimum Fireplace Dimensions	10
Clearances To Combustibles.....	10
Combustible Mantel	11
Clearances	11
Gas Connection	11
Venting.....	11
Flue Liner Installation	12
Gas Pipe Pressure Testing.....	12
Gas Insert	
Aeration System	12
Conversion from NG to LP	13
Optional Wall Thermostat	17
Optional Remote Control	17
Final Check.....	17
Wiring Diagrams	18
Glass Crystal or optional ceramic stones	20
installation on Burner	20
Optional Pebble / Crystal Installation.....	21
For Firebox Base	21
Optional Reflective Panel Installation.....	22
Standard Flush Door	24
faceplate and Door frame installation.....	25
Low profile faceplate install	27
Optional Hearth Trim Installation	29
low Profile FACEPLATE INSTALLATION	30

low Profile HEARTHTRIM INSTALLATION	31
---	----

OPERATING INSTRUCTIONS

Operating Instructions	32
Lighting Procedure	32
Shutdown Procedure.....	32
First Fire	32
Automatic Convection Fan Operation.....	32
Normal Operating Sounds Of	
Gas Appliances.....	32
Maintenance Instructions.....	33
Copy Of Lighting Instruction Plate	33

MAINTENANCE

General Vent Maintenance.....	34
Glass Gasket.....	34
Door Glass	34
Fan Maintenance.....	35
Fan Removal	35
Valve assembly Replacement	38

PARTS LIST




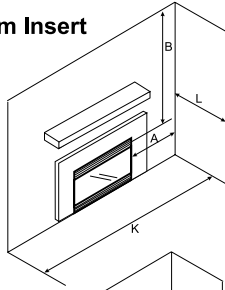
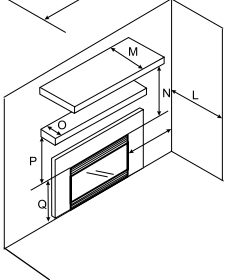

Main Assembly	40
Burner Assembly	41
faceplate and door frame.....	42
low profile faceplate	43

WARRANTY

The Warranty: Limited Lifetime	47
--------------------------------------	----

This is a copy of the label that accompanies each U32S-5 Gas Insert. We have printed a copy of the contents here for your review. The safety label is located on a plate inside the base of the unit visible when the bottom louver is opened.

NOTE: Regency® units are constantly being improved. Check the label on the unit and if there is a difference, the label on the unit is the correct one.

<i>Duplicate Serial number</i>		346														
	DO NOT REMOVE THIS LABEL / NE PAS ENLEVER CETTE ETIQUETTE Listed: VENTED GAS FIREPLACE HEATER Tested to: CAN/CGA-2.17-M91, ANSI Z21.88a-2007 / CSA 2.33a-2007 Certified for / Certifiée pour: CANADA AND U.S.A. WN# 16116															
	346 <i>Serial No. / No de serie</i>															
 Model/Modelo: U32S-NG5	NATURAL GAS FIREPLACE INSERT: MODEL U32S-NG5 Factory Equipped For Altitude 0-4500ft. (0-1370m) Min. supply pressure 5" WC (1.25 kpa) Low Setting Man. pressure 1,6" WC (0.41 kpa) Max. Manifold pressure 3,5" WC (0.87 kpa) Orifice size 42 DMS Minimum input 16,500 Btu/h (4.84 kW) Maximum input 24,500 Btu/h (7.18 kW)	WARNING: This fireplace has been converted for use with a gas fireplace insert only and cannot be used for burning wood or solid fuels unless all original parts have been replaced, and the fireplace re-approved by the authority having jurisdiction. This vented gas fireplace heater is not for use with air filters. This appliance must be installed in accordance with local codes, if any; if none, follow current ANSI Z223.1 in the USA or the current CAN/CSA-B149.1 in Canada. This appliance is not convertible for use with other gases, unless a certified kit is used (Kit # 434-969). For Manufactured Home Installation: This Direct Vent System Appliance must be installed in accordance with the manufacturer's installation instructions and Manufactured Home Construction and Safety Standard Title 24 CFR, Part 3280, or the current Standard for Fire Safety Criteria for Manufactured Home Installation, Sites, and Communities ANSI/NFPA 501A, and with CAN/CSA Z240 MH Mobile Home Standard in Canada. Electrical Supply: 115 V, 56 WATTS, 60 Hz NOT FOR USE WITH SOLID FUELS														
 Model/Modelo: U32S-LP5	PROPANE GAS FIREPLACE INSERT: MODEL U32S-LP5 Factory Equipped For Altitude 0-4500ft. (0-1370m) Min. supply pressure 12" WC (2.99 kpa) Low Setting Man. pressure 6,4" WC (1.59 kpa) Max. Manifold pressure 10" WC (2.48 kpa) Orifice size 54 DMS Minimum input 17,000 Btu/h (4.98 kW) Maximum input 20,500 Btu/h (6.01 kW)															
Minimum Clearances to Combustibles from Insert <table style="width: 100%;"> <tr> <td>Side wall</td> <td>A</td> <td>10" (255mm)</td> </tr> <tr> <td>Ceiling</td> <td>B</td> <td>47-1/2" (1205mm)</td> </tr> <tr> <td>Alcove Width</td> <td>K</td> <td>48" (1220mm)</td> </tr> <tr> <td>Max. Alcove Depth</td> <td>L</td> <td>36" (915mm)</td> </tr> </table>		Side wall	A	10" (255mm)	Ceiling	B	47-1/2" (1205mm)	Alcove Width	K	48" (1220mm)	Max. Alcove Depth	L	36" (915mm)	 		
Side wall	A	10" (255mm)														
Ceiling	B	47-1/2" (1205mm)														
Alcove Width	K	48" (1220mm)														
Max. Alcove Depth	L	36" (915mm)														
Mantel Clearances <table style="width: 100%;"> <tr> <td>Max. Mantel depth</td> <td>M</td> <td>12" (305mm)</td> </tr> <tr> <td>Max. Mantel height</td> <td>N</td> <td>17" (432mm)</td> </tr> <tr> <td>Min. Mantel depth</td> <td>O</td> <td>3-1/2" (89mm)</td> </tr> <tr> <td>Min. Mantel height</td> <td>P</td> <td>13" (330mm)</td> </tr> <tr> <td>Floor to top of unit</td> <td>Q</td> <td>20" (508mm)</td> </tr> </table> <p>* No Hearth required</p>		Max. Mantel depth	M	12" (305mm)	Max. Mantel height	N	17" (432mm)	Min. Mantel depth	O	3-1/2" (89mm)	Min. Mantel height	P	13" (330mm)	Floor to top of unit	Q	20" (508mm)
Max. Mantel depth	M	12" (305mm)														
Max. Mantel height	N	17" (432mm)														
Min. Mantel depth	O	3-1/2" (89mm)														
Min. Mantel height	P	13" (330mm)														
Floor to top of unit	Q	20" (508mm)														
		FPI Fireplace Products International Ltd., Delta BC, CANADA MADE IN CANADA / FABRIQUE AU CANADA  918-787														

For the State of Massachusetts, installation and repair must be done by a plumber or gasfitter licensed in the Commonwealth of Massachusetts.

For the State of Massachusetts, flexible connectors shall not exceed 36 inches in length.

For the State of Massachusetts, the appliances individual manual shut-off must be a t-handle type valve.

The State of Massachusetts requires the installation of a carbon monoxide alarm in accordance with NFPA 720 and a CO alarm with battery back up in the same room where the gas appliance is installed.

MA Code - CO Detector (for the State of Massachusetts only)

5.08: Modifications to NFPA-54, Chapter 10

(2) Revise 10.8.3 by adding the following additional requirements:

(a) For all side wall horizontally vented gas fueled equipment installed in every dwelling, building or structure used in whole or in part for residential purposes, including those owned or operated by the Commonwealth and where the side wall exhaust vent termination is less than seven (7) feet above finished grade in the area of the venting, including but not limited to decks and porches, the following requirements shall be satisfied:

1. **INSTALLATION OF CARBON MONOXIDE DETECTORS.** At the time of installation of the side wall horizontal vented gas fueled equipment, the installing plumber or gasfitter shall observe that a hard wired carbon monoxide detector with an alarm and battery back-up is installed on the floor level where the gas equipment is to be installed. In addition, the installing plumber or gasfitter shall observe that a battery operated or hard wired carbon monoxide detector with an alarm is installed on each additional level of the dwelling, building or structure served by the side wall horizontal vented gas fueled equipment. It shall be the responsibility of the property owner to secure the services of qualified licensed professionals for the installation of hard wired carbon monoxide detectors

a. In the event that the side wall horizontally vented gas fueled equipment is installed in a crawl space or an attic, the hard wired carbon monoxide detector with alarm and battery back-up may be installed on the next adjacent floor level.

b. In the event that the requirements of this subdivision can not be met at the time of completion of installation, the owner shall have a period of thirty (30) days to comply with the above requirements; provided, however, that during said thirty (30) day period, a battery operated carbon monoxide detector with an alarm shall be installed.

2. **APPROVED CARBON MONOXIDE DETECTORS.** Each carbon monoxide detector as required in accordance with the above provisions shall comply with NFPA 720 and be ANSI/UL 2034 listed and IAS certified.

3. **SIGNAGE.** A metal or plastic identification plate shall be permanently mounted to the exterior of the building at a minimum height of eight (8) feet above grade directly in line with the exhaust vent terminal for the horizontally vented gas fueled heating appliance or equipment. The sign shall read, in print size no less than one-half (1/2) inch in size, "**GAS VENT DIRECTLY BELOW. KEEP CLEAR OF ALL OBSTRUCTIONS**".

4. **INSPECTION.** The state or local gas inspector of the side wall horizontally vented gas fueled equipment shall not approve the installation unless, upon inspection, the inspector observes carbon monoxide detectors and signage installed in accordance with the provisions of 248 CMR 5.08(2)(a)1 through 4.

(b) **EXEMPTIONS:** The following equipment is exempt from 248 CMR 5.08(2)(a)1 through 4:

1. The equipment listed in Chapter 10 entitled "Equipment Not Required To Be Vented" in the most current edition of NFPA 54 as adopted by the Board; and

2. Product Approved side wall horizontally vented gas fueled equipment installed in a room or structure separate from the dwelling, building or structure used in whole or in part for residential purposes.

(c) **MANUFACTURER REQUIREMENTS - GAS EQUIPMENT VENTING SYSTEM PROVIDED.** When the manufacturer of Product Approved side wall horizontally vented gas equipment provides a venting system design or venting system components with the equipment, the instructions provided by the manufacturer for installation of the equipment and the venting system shall include:

1. Detailed instructions for the installation of the venting system design or the venting system components; and

2. A complete parts list for the venting system design or venting system.

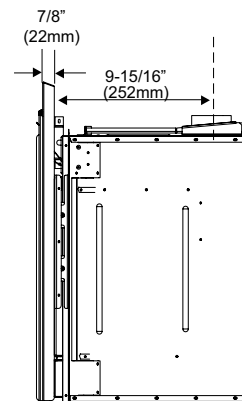
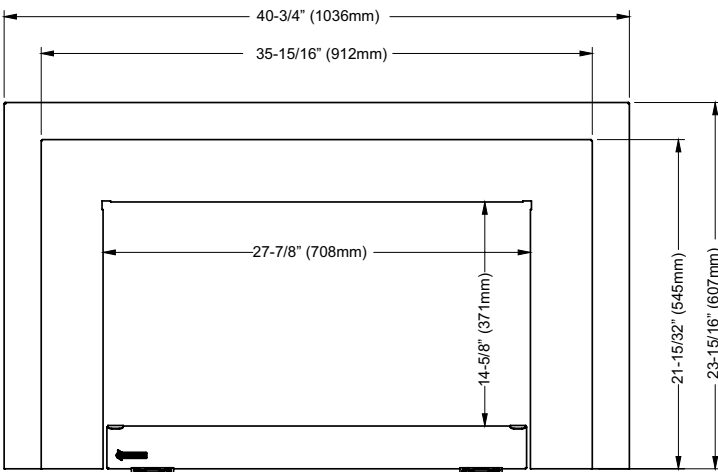
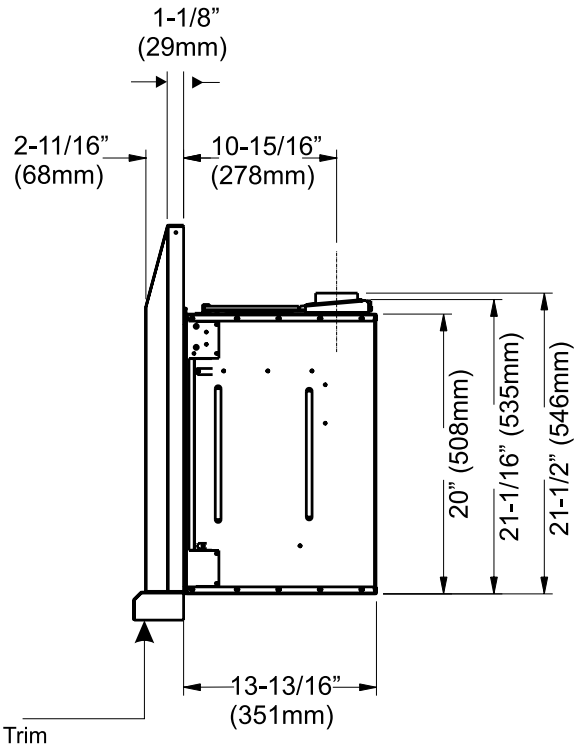
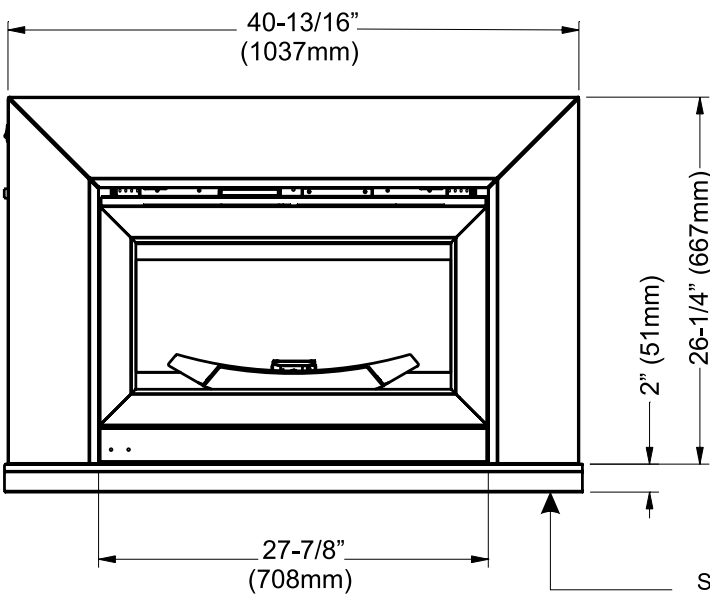
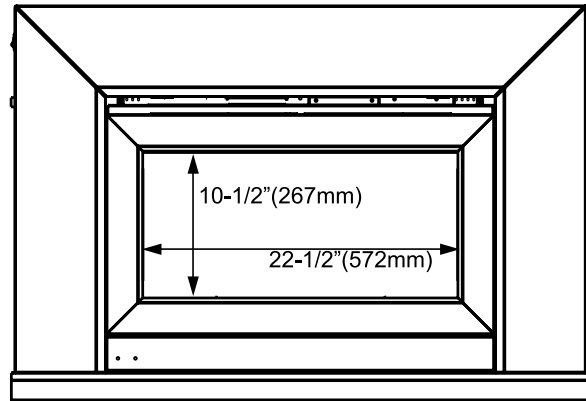
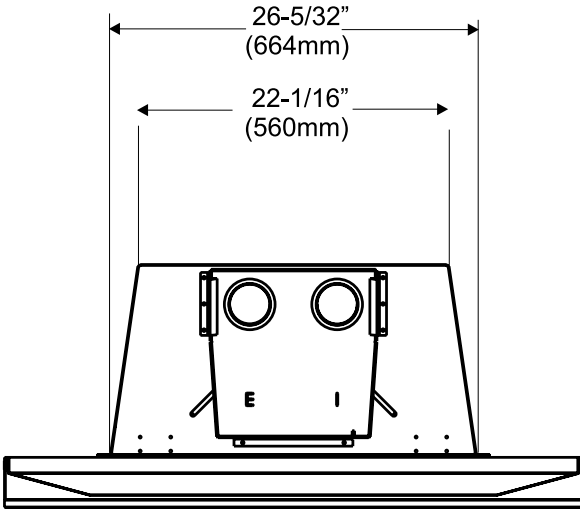
(d) **MANUFACTURER REQUIREMENTS - GAS EQUIPMENT VENTING SYSTEM NOT PROVIDED.** When the manufacturer of a Product Approved side wall horizontally vented gas fueled equipment does not provide the parts for venting the flue gases, but identifies "special venting systems", the following requirements shall be satisfied by the manufacturer:

1. The referenced "special venting system" instructions shall be included with the appliance or equipment installation instructions; and

2. The "special venting systems" shall be Product Approved by the Board, and the instructions for that system shall include a parts list and detailed installation instructions.

(e) A copy of all installation instructions for all Product Approved side wall horizontally vented gas fueled equipment, all venting instructions, all parts lists for venting instructions, and/or all venting design instructions shall remain with the appliance or equipment at the completion of the installation.

DIMENSIONS



INSTALLATION

IMPORTANT MESSAGE SAVE THESE INSTRUCTIONS

The Regency Gas Insert must be installed in accordance with these instructions. Carefully read all the instructions in this manual first. Consult the building authority having jurisdiction to determine the need for a permit prior to starting the installation.

NOTE: Failure to follow the instructions could cause a malfunction of the heater which could result in death, serious bodily injury, and/or property damage. Failure to follow these instructions may also void your fire insurance and/or warranty.

FOR YOUR SAFETY

This appliance requires air for proper combustion. Always provide adequate combustion and ventilation air. Follow instructions and information in CAN/CGAB149 (in Canada) or the National Fuel Gas Code ANSI Z223.1 (in the USA), regarding requirements for combustion and ventilation air.

INSTALLATION AND REPAIR SHOULD BE DONE BY AN AUTHORIZED SERVICE PERSON. THE APPLIANCE SHOULD BE INSPECTED BEFORE USE AND AT LEAST ANNUALLY BY A PROFESSIONAL SERVICE PERSON. MORE FREQUENT CLEANING MAY BE REQUIRED DUE TO EXCESSIVE LINT FROM CARPETING, BEDDING MATERIAL, ETC. IT IS IMPERATIVE THAT CONTROL COMPARTMENTS, BURNERS AND CIRCULATING AIR PASSAGEWAYS OF THE APPLIANCE BE KEPT CLEAN.

DUE TO HIGH TEMPERATURES, THE APPLIANCE SHOULD BE LOCATED OUT OF TRAFFIC AND AWAY FROM FURNITURE AND DRAPERIES.

WARNING: FAILURE TO INSTALL THIS APPLIANCE CORRECTLY WILL VOID YOUR WARRANTY AND MAY CAUSE A SERIOUS HOUSE FIRE.

CHILDREN AND ADULTS SHOULD BE ALERTED TO THE HAZARDS OF HIGH SURFACE TEMPERATURES, ESPECIALLY THE FIREPLACE GLASS, AND SHOULD STAY AWAY TO AVOID BURNS OR CLOTHING IGNITION.

YOUNG CHILDREN SHOULD BE CAREFULLY SUPERVISED WHEN THEY ARE IN THE SAME AREA AS THE APPLIANCE. TODDLERS, YOUNG CHILDREN AND OTHERS MAY BE SUSCEPTIBLE TO ACCIDENTAL CONTACT BURNS. A PHYSICAL BARRIER IS RECOMMENDED IF THERE ARE AT RISK INDIVIDUALS IN THE HOUSE. TO RESTRICT ACCESS TO A FIREPLACE OR STOVE, INSTALL AN ADJUSTABLE SAFETY GATE TO KEEP TODDLERS, YOUNG CHILDREN AND OTHER AT RISK INDIVIDUALS OUT OF THE ROOM AND AWAY FROM HOT SURFACES.

CLOTHING OR OTHER FLAMMABLE MATERIAL SHOULD NOT BE PLACED ON OR NEAR THE APPLIANCE.



SPECIFICATIONS

At pressures over 1/2 psig, the pipe to the unit must be disconnected.

Gas Input Capacity:

Natural Gas	24,500	Btu/h
Propane	20,500	Btu/h

Min. Input

Natural Gas	16,500	Btu/h
Propane	17,000	Btu/h

Fuels: Approved for use with both natural gas, and propane. Approved as is for use at 0' to 4,500' (0-1370m).

Electrical: 120V A.C. system.

Circulation Fan: Variable speed, 110 CFM.

Vent System: 3" co-linear aluminum flex.

The efficiency rating of the appliance is a product thermal efficiency rating determined under continuous operating conditions and was determined independent of any installed system.

GAS PRESSURE TESTING

The appliance must be isolated from the gas supply piping system by closing its individual manual shut off valve during any pressure testing of the gas supply piping system at test pressures equal to or less than 1/2 psig. (3.45 kPa).

INSTALLATION INTO A SOLID FUEL BURNING FIREPLACE OR FACTORY BUILT FIREPLACE

The U32S Gas Insert has been tested and approved to be vented into any masonry fireplace or approved solid fuel burning factory built fireplace that will allow the insert to physically fit into the firebox. Refer to "Minimum Fireplace Dimensions" section for minimum fireplace clearances.

If the factory built fireplace* height is too low for your Insert, you may remove the smoke baffle plate, damper, refractory (firebricks), glass doors, screen rails, screen mesh and log grates from the factory built fireplace as long as these items are saved and are reinstalled in the event that the Insert is removed.

Smoke shelves, shields and baffles may be removed if attached by mechanical fasteners. If any part is removed it must not weaken the structural integrity of the factory built fireplace.

NOTE: Any alterations made to the listed solid fuel burning factory built fireplace may void the listing of the fireplace.

*Check with your local inspector before commencing with this installation.

"WARNING: This fireplace has been converted for use with a gas fireplace insert only and cannot be used for burning wood or solid fuels unless all original parts have been replaced, and the fireplace re-approved by the authority having jurisdiction."

Installer must mechanically attach the supplied label to the inside of the firebox of the fireplace into which the gas fireplace insert is installed.

BEFORE YOU START

Safe installation and operation of this appliance requires common sense, however, we are required by the Canadian Safety Standards and ANSI Standards to make you aware of the following:

General Safety Information

- 1) The appliance installation must conform with local codes or in the absence of local codes, with CAN/CGA B149 (in Canada) or the National Fuel Gas Code ANSI Z223.1 in the U.S.A. This appliance should be installed by a qualified gas fitter technician only.
- 2) **Installation and repair should be done by a qualified service person.**
- 3) The appliance should be inspected before use and at least annually by a professional service person. More frequent cleaning may be required due to excessive lint from carpeting, bedding material, animal hair, etc. It is imperative that control compartments, burners and circulating air passageways of the appliance be kept clean.
- 4) See general construction and assembly instructions. This appliance may only be installed in a vented, noncombustible fireplace.
- 5) This appliance is Listed for bedroom installations when used with a Listed Millivolt Thermostat. Some areas may have further requirements, check local codes before installation.
- 6) Always connect this insert to a vent system venting to the outside of the building envelope. Never vent to another room or inside a building. Make sure that the vent is properly sized and is of adequate height to provide the proper draft.
- 7) Inspect the venting system annually for blockage and any signs of deterioration.
- 8) Any glass removed for servicing must be replaced prior to operating the appliance.
- 9) To prevent injury, do not allow anyone who is unfamiliar with the operation to use the fireplace.
- 10) Due to high temperatures, the appliance should be located out of high traffic areas and away from furniture and draperies. Children and adults should be alerted to the hazards of high surface temperatures, especially the fireplace glass and gold trims, and should stay away to avoid burns or clothing ignition. Young children should be carefully supervised when they are in the same room as the appliance. Clothing or other flammable material should not be placed on or near the appliance.

Emissions from burning wood or gas could contain chemicals known to the State of California to cause cancer, birth defects or other reproductive harm.

INSTALLATION CHECKLIST

Before installing vent system ensure that the damper plate is open and secure to prevent the damper plate from falling down and crushing the liner.

The Regency Gas Insert is installed as listed.

- 1) Check all clearances to combustibles, (Refer to sections "Minimum Fireplace Dimensions and Clearances to Combustibles")
- 2) Make the gas connection. (Refer to section "Gas Connection")
- 3) Install the 3" flue liner to the sliding connector plate. (Refer to section "Flue Liner Installation.")
- 4) Slide the unit half way into the fireplace.
- 5) Pull the vent connector plate through the tapered brackets and fasten to the front plate. Refer to section "Flue Liner Installation.")
- 6) Slide the unit fully into the fireplace.
- 7) Test gas pressure (Refer to section "Gas Pipe Pressure Testing"). Check aeration system (Refer to section "Gas Insert Aeration System").
- 8) Install standard and optional features. Refer to the following sections:
 - a. LP Conversion Kit
 - b. Glass Crystals
 - c. Optional Ceramic Spa Stones
 - d. Optional Inner Reflective panels
 - e. Standard Flush Door
 - f. Contemporary Faceplate & Door Frame or Slim Line Faceplate
 - g. Wall Thermostat
 - h. Remote Control

- 9) **Final check:** Before leaving this unit with the customer, the installer must ensure that the appliance is firing correctly. This includes:
 - a) Clocking the appliance to ensure the correct firing rate.
 - b) Adjusting the primary air, if required, to ensure that the flame does not carbon. See "Gas Insert Aeration System" section.
 - c) Ensuring that the appliance is venting correctly.

MANUFACTURED MOBILE HOME ADDITIONAL REQUIREMENTS

- 1) Ensure that structural members are not cut or weakened during installation.
- 2) Ensure proper grounding using the #8 ground lug provided.
- 3) Appliance must be anchored to the floor with the supplied anchoring methods.

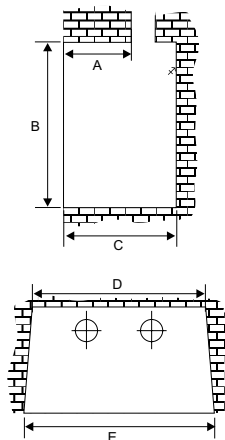
MATERIALS REQUIRED

No electrical power supply is required for the gas control to operate. A 120 Volt AC power cord is hooked up to the fan. Plug the 3 wire cord into a suitable receptacle. **Do not cut the ground terminal off under any circumstances.** When connected with 120 volts, the appliance must be electrically grounded in accordance with local codes, current version of CSA C22.1 (in Canada) or in the absence of local codes, with the National Electrical Code ANSI/NFPA 70-1987.

NOTE: This unit is equipped with a heat sensor thermidisc which will prevent the blower from operating until the unit reaches the correct temperature.

MINIMUM FIREPLACE DIMENSIONS

The minimum fireplace clearances & dimensions for the Regency gas insert are shown in the following diagrams:

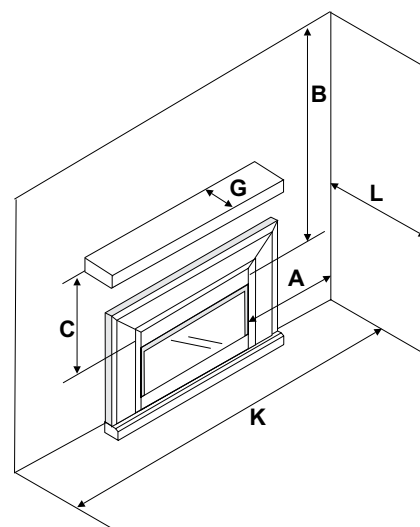


Max. Lintel Bar Depth A	Height B	Depth C	Width (rear) D	Width (front) E
9"	22"	14"	22-1/2"	26-1/2"

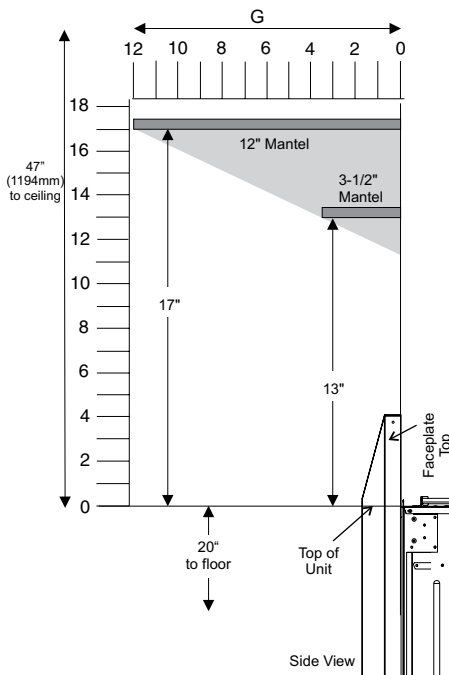
CLEARANCES TO COMBUSTIBLES

Minimum Clearances to Combustibles

	From Unit	
Sides	A	10" / 255 mm
Ceiling	B	47.5" / 1205 mm
Mantel	C	13" / 330mm
Max. Mantle Depth	G	12" / 305 mm
Min. Alcove Width	K	48" / 1220 mm
Max. Alcove Depth	L	36" / 915 mm



COMBUSTIBLE MANTEL CLEARANCES



Due to the extreme heat this fireplace emits, the mantel clearances are critical.

Note: A non-combustible mantel may be installed at a lower height if the framing is made of metal studs covered with a non-combustible board.

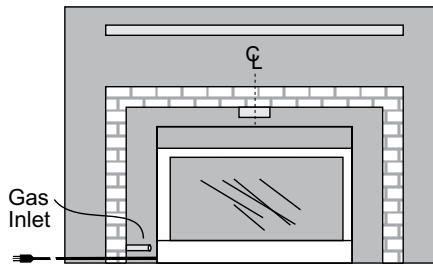
Mantel can be installed anywhere in shaded area or higher using the above scale.

Note: Ensure the paint that is used on the mantel and the facing is "heat resistant" or the paint may discolour.

GAS CONNECTION

GAS CONNECTION WARNING:
Only persons licensed to work with gas piping may make the necessary gas connections to this appliance.

- 1) If the appliance is to be installed into an existing chimney system, thoroughly clean the masonry or factory built fireplace.
- 2) The appliance is provided with an opening on the left hand side of the control compartment. A 3/8" NPT gas supply pipe must be brought near this inlet hole.
- 3) Locate the center point where the vent will pass through the chimney above the appliance. Move the appliance into the exact location where it is to be installed. Ensure that the Insert is level.



VENTING

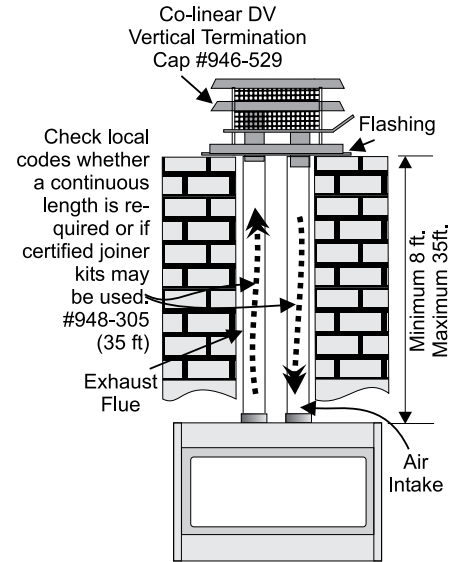
THE APPLIANCE MUST NOT BE CONNECTED TO A CHIMNEY FLUE SERVING A SEPARATE SOLID FUEL BURNING APPLIANCE.

This appliance is designed to be attached to two 3" (76mm) co-linear aluminium flex running the full length of the chimney. The flue length must be a minimum length of 8' (2.44m) and a maximum of 35' (10.7m). See chart below for minimum distances from roof. Periodically check that the vent is unrestricted.

Masonry chimneys may take various contours which the flexible liner will accommodate. However, **keep the flexible liner as straight as possible**, avoid unnecessary bending.

The Air Intake pipe must be attached to the inlet air collar of the termination cap.

Part #	Description
948-305	3" Flex - 35 ft.
946-529	Co-linear DV Vertical Termination Cap

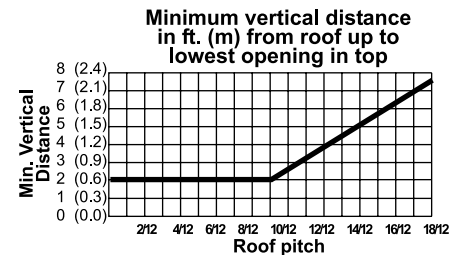


Alternate Approved Caps

- 46dva-VC Vertical Termination Cap
- 46dva-VCH High Wind Cap
- 46dva-GK 3" Co-linear Adaptor with flashing

In areas of consistently high winds, we recommend using the Simpson Dura-Vent System (46dva-GK adaptor and 46dva-VCH high-wind cap).

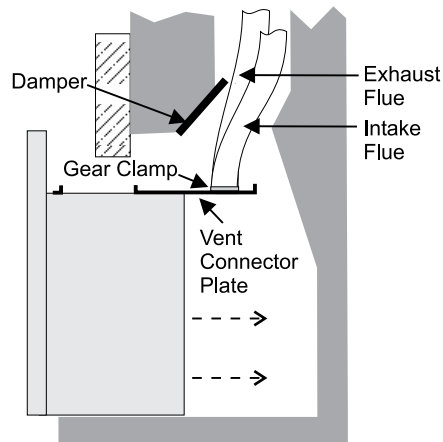
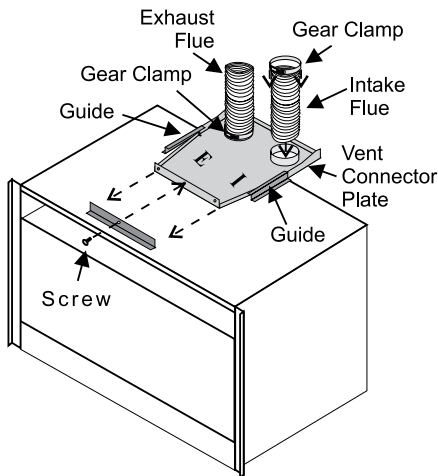
The Air Intake pipe must be attached to the inlet air collar of the termination cap.



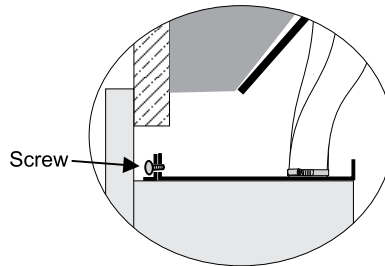
INSTALLATION

FLUE LINER INSTALLATION

- 1) Cut the flex liner as required.
- 2) **Mark the end of one liner to indicate Inlet.**
- 3) Connect the other end of the above liner to the inlet side of the termination adaptor, seal connection with high temperature silicone. Secure with gear clamp.
- 4) Connect the 2nd liner to the exhaust side of the adaptor, seal connection with high temperature silicone. Secure with gear clamp.
- 5) Install flashing.



Be careful not to damage thermal insulation when sliding on vent connector plate. This could cause blockage.



- 6) When finished reading manometer, turn off the gas valve, disconnect the hose and tighten the screw (clockwise) with a 1/8" flat screwdriver. **Note: Screw should be snug, but do not over tighten.**

GAS INSERT AERATION SYSTEM

The burner aeration is factory set but may need adjusting due to either the local gas supply or altitude. Open the air shutter for a blue flame or close for a yellow flame.

The burner assembly will need to be removed in order to adjust burner aeration if required. See steps 1-4 in 'Conversion from NG to LP.'

Minimum Air shutter Opening		
	Glass Crystals	Ceramic Stones
Natural Gas	3/8"	1/8"
Propane	1/2"	3/8"

CAUTION: Carbon will be produced if air shutter is closed too much.

Note: Any damage due to carboning resulting from setting the aeration controls improperly is NOT covered under warranty.

Note: Aeration Adjustment should only be performed by an authorized Regency Installer at the time of installation or service.

GAS PIPE PRESSURE TESTING

The appliance must be isolated from the gas supply piping system by closing its individual manual shut-off valve during any pressure testing of the gas supply piping system at test pressures equal to or less than 1/2 psig. (3.45 kPa). Disconnect piping from valve at pressures over 1/2 psig.

The manifold pressure is controlled by a regulator built into the gas control, and should be checked at the pressure test point.

Note: To properly check gas pressure, both inlet and manifold pressures should be checked using the valve pressure ports on the valve.

- 6) Insert both liners into chimney, passing through the damper opening.
- 7) Install termination cap.
- 8) Connect the **marked end** of the liner to the inlet collar of the vent connector plate marked with an "I", seal connection with high temperature silicone. Secure with gear clamp.
- 9) Connect the 2nd liner to the exhaust collar marked with an "E", seal connection with high temperature silicone. Secure with gear clamp.

NOTES:

- 1) Final gas connection should be made after unit is in place to avoid damage to line when pushing the unit into position.
- 2) Mill-pac may be used instead of high temperature silicone and screws may be used instead of gear clamps at connections of liner to inlet and vent collars.

- 1) Make sure the valve is in the "OFF" position.
- 2) Loosen the "IN" and/or "OUT" pressure tap(s), turning counterclockwise with a 1/8" wide flat screwdriver.
- 3) Attach manometer to "IN" and/or "OUT" pressure tap(s) using a 5/16" ID hose.
- 4) Light the pilot and turn the valve to "ON" position.
- 5) The pressure check should be carried out with the unit burning and the setting should be within the limits specified on the safety label.

CONVERSION KIT # 434-969 FROM NG TO LP

**THIS CONVERSION MUST BE DONE BY A QUALIFIED GAS FITTER
IF IN DOUBT DO NOT DO THIS CONVERSION!!**

NOTE: See page 1 for H25 / H27 conversion instructions and page 4 for P33S-4 conversion instructions.

Each Kit contains one LP Conversion Kit and one DC Sparker Kit.

LP Conversion Kit Contains:

Qty.	Part #	Description
1	904-163	Burner Orifice #54
1	918-590	Decal "Converted to LPG"
1	908-528	Red "LPG" label
1	904-529	5/32" Allen Key
1	910-037	LPG Injector (Pilot Orifice)
1	918-480	Instruction Sheet

DC Sparker Kit Contains:

Qty.	Part #	Description
1	820-475	Bracket DC Sparker
1	820-476	Bracket DC Sparker
1	904-153	Washer #8 External Star
1	904-330	Nut 8-32 Hex
1	904-438	Plug Nylon 0.750 Hole, Black (for H25 only)
1	904-531	Bushing Split Plastic 0.500 in.
1	904-543	Screw 8-32 x 3/4 Pan Head
2	904-553	Screw #8 x 1/2 Type "B", Black Oxide
1	910-073	Spark Generator Battery Holder
1	910-074	Spark Generator Switch C/W Wire
1	910-078	Battery Size AA Energizer En91
2	910-199	Clip Wire Holder
1	910-903	Wire Fan To Power Cord Ground 30 in.
	904-781	Velcro Hook, Black
	904-782	Velcro Hook, Black

- 1) Turn off the gas supply.
- 2) Remove the glass door.

E33S only:

- a) Remove the 2 screws at the bottom of the glass door.



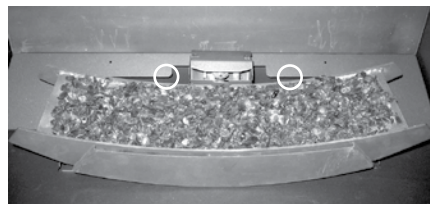
U32S only:

- a) Release the two hooks from the bottom of the glass door.



- b) Swing the door out 45 degrees from the bottom and lift up and out (applies to both units).

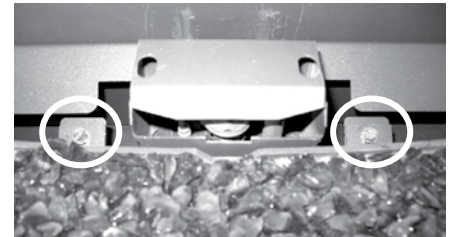
- 3) Remove the burner by undoing the 2 screws as shown below.



Burner

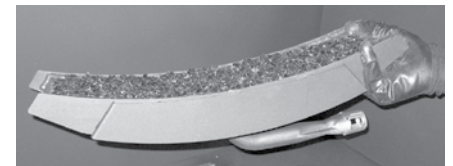


Burner screws on E33S



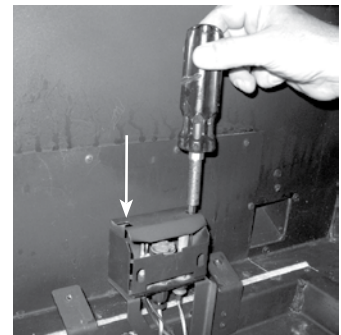
Burner screws on U32S

- 4) After screws have been removed, slide the burner to the left, then lift out carefully (**U32S unit only.**) (**E33S - lift burner directly out.**)

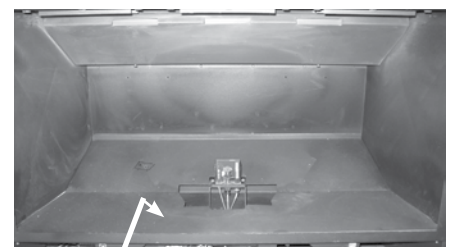


U32S burner shown

- 5) Remove the pilot shield by removing the 2 screws as shown below.



- 6) Remove the base cover by lifting up from the back and maneuver out.



Base Cover

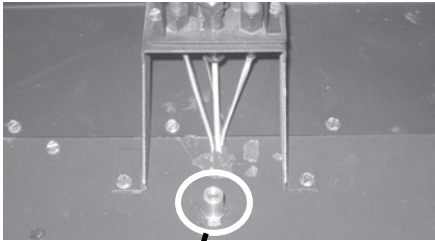
INSTALLATION



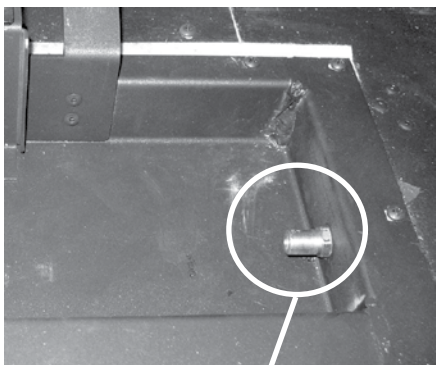
Lift up from the back.



- 7) Remove burner orifice with a 1/2" wrench and discard.



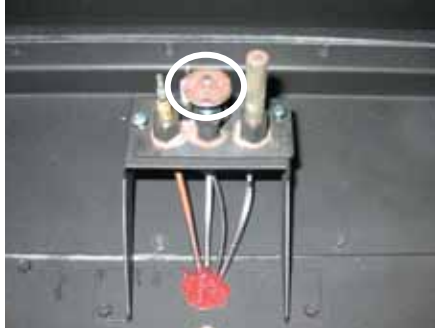
Burner Orifice - E33S



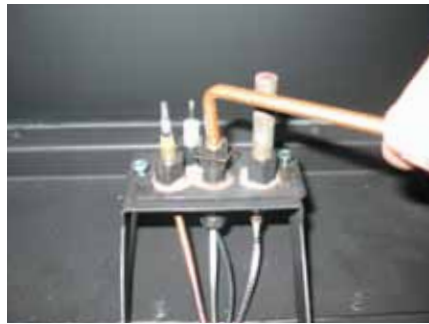
Burner Orifice -U32S

- 8) Install the new LP burner orifice stamped #54 and tighten.

- 9) Pull off the pilot cap to expose the pilot orifice.



- 10) Unscrew the pilot orifice with the supplied allen key and replace it with the LP pilot orifice and re-install the pilot cap.



- 11) Re-install base cover.

- 12) Re-install burner and back shield.

- 13) Reinstall pilot cover

LP Aeration Settings - set before reinstalling burner.		
E33S	1/4"	
U32S	Glass Crystals	Spa Stones
	1/2"	3/8"

- 14) From the valve remove the black protection cap by hand from the high-low knob (Fig.1).

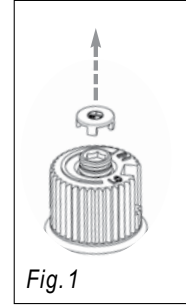


Fig.1

- 15) Insert the allen key into the hexagonal key-way of the screw (Fig. 2), rotate it counter-clockwise until it is free and extract it.

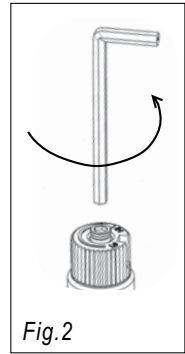


Fig.2

- 16) Check that the screw is clean and if necessary remove dirt.

- 17) Flip the screw (Fig. 3).

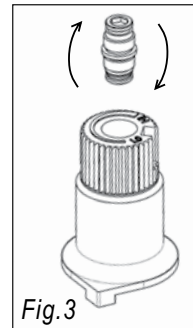


Fig.3

- 18) Using the allen key as shown in Fig.4, rotate the screw clockwise until snug, do not overtighten.

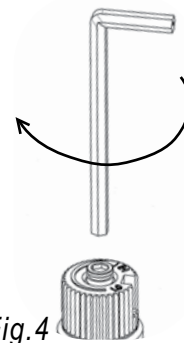
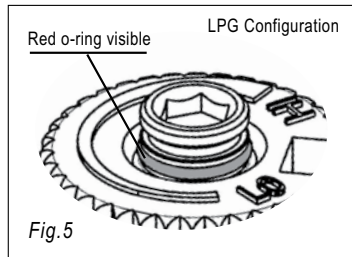


Fig.4

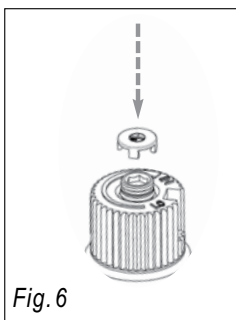
WARNING!

**Do not overtighten the screw.
Recommended to
grip the wrench by the short side.**

- 19) Verify that if the conversion is from NG to LPG, the screw must be re-assembled with the red o-ring visible (Fig. 5).



- 20) Re-assemble the black protection cap (Fig. 6).



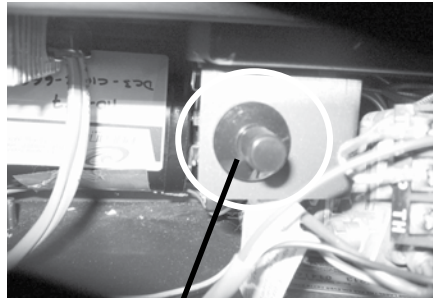
WARNING!

Also check that the pilot and main burner injectors are appropriate for the gas type.

- 21) Attach the label "This unit has been converted to Propane" near or on top of the serial # decal.
22) Replace yellow "Natural Gas" label with red "LPG" label.

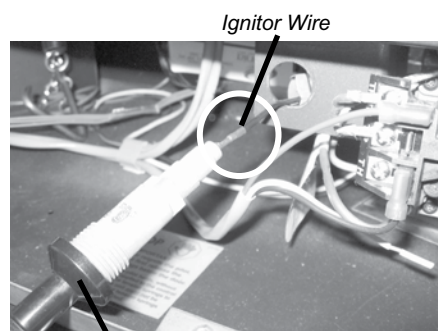
Installation of the DC Sparker:

- 1) Locate the Piezo Ignitor situated at the side of valve.



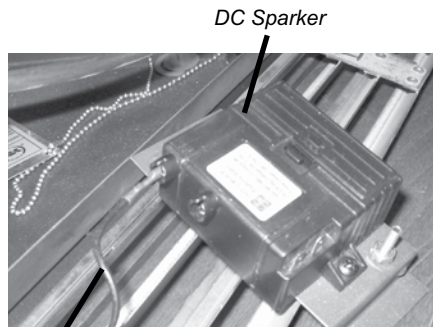
Piezo Ignitor

- 2) Remove the Piezo Ignitor by unscrewing the nut at the back of the mounting bracket.



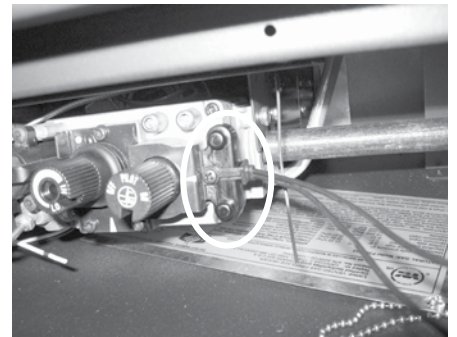
Piezo Ignitor

- 3) Disconnect the ignitor wire from the Piezo Ignitor and connect it to the DC Sparker.

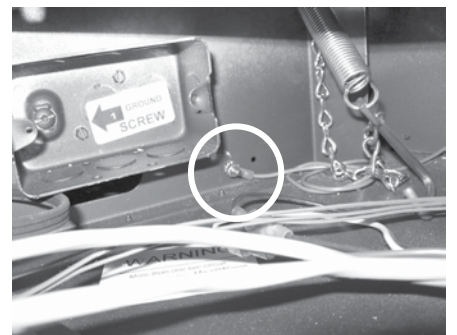


Ignitor Wire

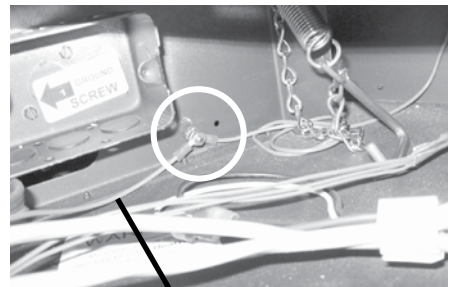
- 4) Connect the DC spark generator wires to the SIT Valve with the screw, which is provided in the kit.



- 5) Locate the ground lug at the receptical box, left of the unit.



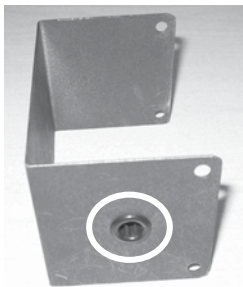
- 6) Connect one end of the supplied green ground wire to the lug with the nut and washer from the kit.



Ground wire from Kit

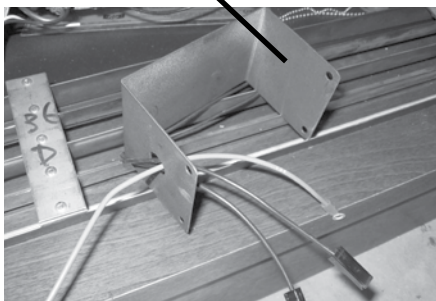
INSTALLATION

- 7) Install the 1/2" bushing to the heat shield.

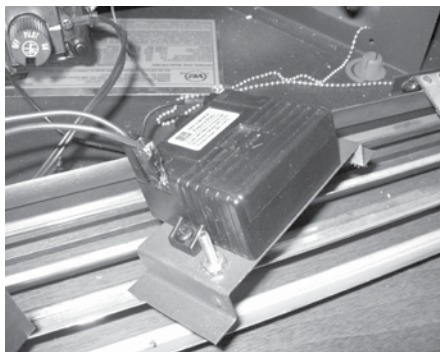


- 8) Run the other end of the ground wire and DC spark generator wires through the bushing on the heat shield.

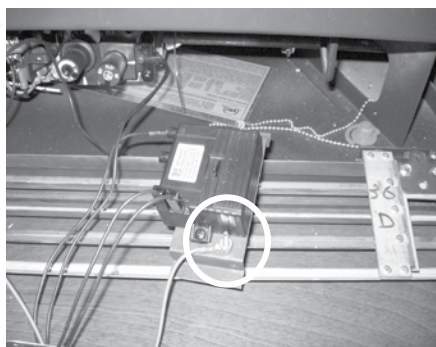
Heat Shield



- 9) Plug the DC spark generator wires to the DC Sparker.



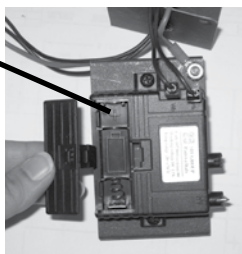
- 10) Connect the ground wire to the DC Sparker mounting bracket.



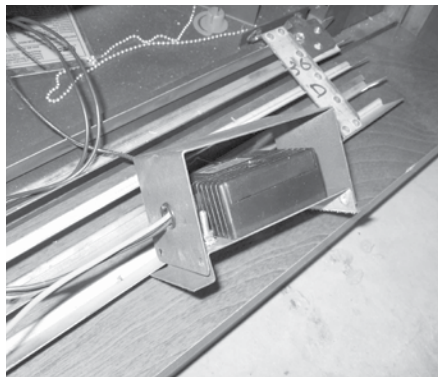
- 11) Install the supplied battery into the DC Sparker Box by opening the battery compartment.

NOTE: The battery in the DC Sparker Box will need to be replaced annually.

Battery Compartment

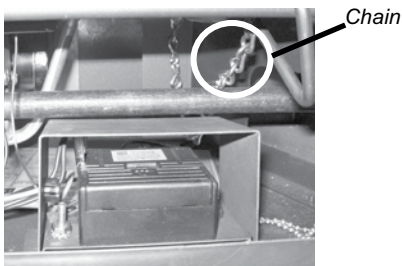


- 12) Mount the heat shield to the DC Sparker. Secure into place with the velcro, which is provided in the kit.

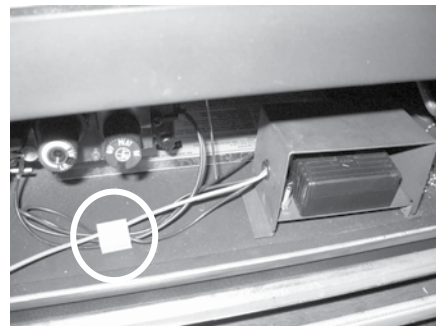


- 13) Find a location which is not too hot and is easy to reach for changing the battery. See image below as an example.

Note: It should be kept away from the chain (**U32S only**).



- 14) Tie up the loose wire with the wire clip.



- 15) Check for gas leaks with a proper soapy solution or leak detector.

- 16) Check for proper spark between the ignitor and pilot cap. Refer to "Lighting Procedure" section of the manual for lighting sequence.

- 17) Check inlet (12" WC min) and outlet (11" WC) pressures. Refer to "Gas Pipe Pressure Testing" section of the manual.

- 18) Check for proper flame appearance.

Installer Notice:
These instructions must be left with the appliance.

OPTIONAL WALL THERMOSTAT

A wall thermostat may be installed if desired, follow the wiring diagram below. Regency offers an optional programmable thermostat but any 250-750 millivolt rated non-anticipator type thermostat that is CSA, ULC or UL approved may be used.

CAUTION

Do not connect the millivolt wall thermostat wires to the 120V wires.

Recommended Maximum Lead Length (Two-Wire) When Using Wall Thermostat (CP-2 System)	
Wire Size	Max. Length
14 GA.	50 Ft.
16 GA.	32 Ft.
18 GA.	20 Ft.
20 GA.	12 Ft.
22 GA.	9 Ft.

OPTIONAL REMOTE CONTROL

Use the Regency Remote Control Kit approved for this unit. Use of other systems may void your warranty.

The remote control kit comes with a hand held transmitter, a receiver and a wall mounting plate.

- 1) Choose a convenient location on the wall to install the receiver and the receptacle box (protection from extreme heat is very important). Run wires from the fireplace to that location. Use Thermostat Wire Table.
- 2) Connect the wires as per the wiring diagrams in this manual.

CAUTION

Do not connect the millivolt remote control the 120V wires.

- 3) Install 3 AAA alkaline batteries in transmitter and 4 AA alkaline batteries in the receiver. Install the receiver and its cover in the wall. Switch the remote receiver to "remote" mode. The remote control is now ready for operation.

FINAL CHECK

Before leaving this unit with the customer, the installer must ensure that the appliance is firing correctly. This includes:

- 1) Locking the appliance to ensure the correct firing rate (rate noted on label) at 15 minutes.
- 2) If required, adjusting the primary air to ensure that the flame does not carbon. First allow the unit to burn for 15 min. to stabilize.
- 3) Check for proper draft.

CAUTION

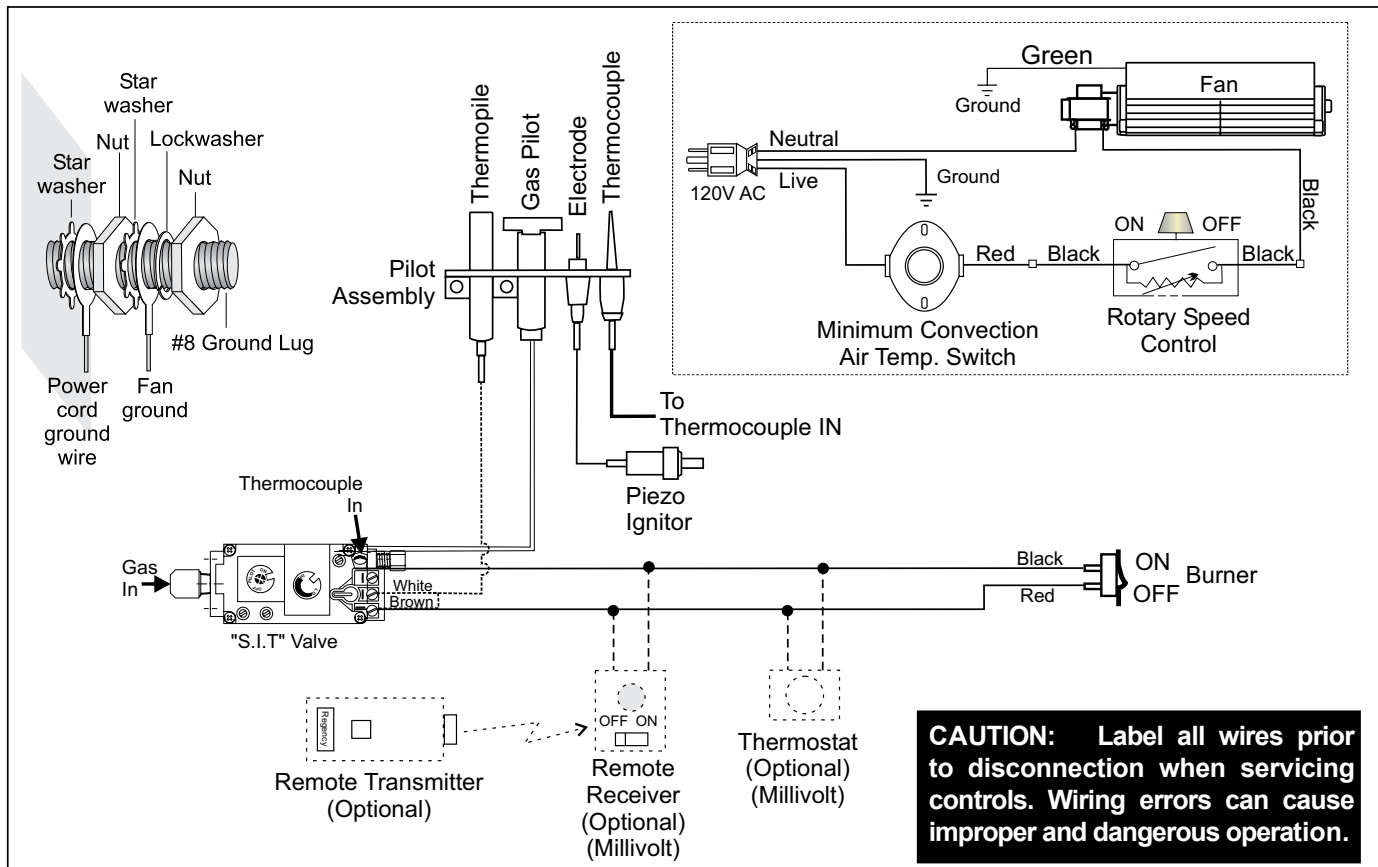
Any alteration to the product that causes sooting or carboning that results in damage to the exterior fascia is not the responsibility of the manufacturer.

WIRING DIAGRAMS

This heater does not require a 120V A.C. supply for operation. In case of a power failure, the burner switch and the optional remote control/thermostat will continue to operate. However, a 120V A.C. power supply is needed for the fan/blower operation.

Caution: Ensure that the wires do not touch any hot surfaces and are away from sharp edges.

For NATURAL GAS Units and Units NOT Equipped with DC Spark Boxes



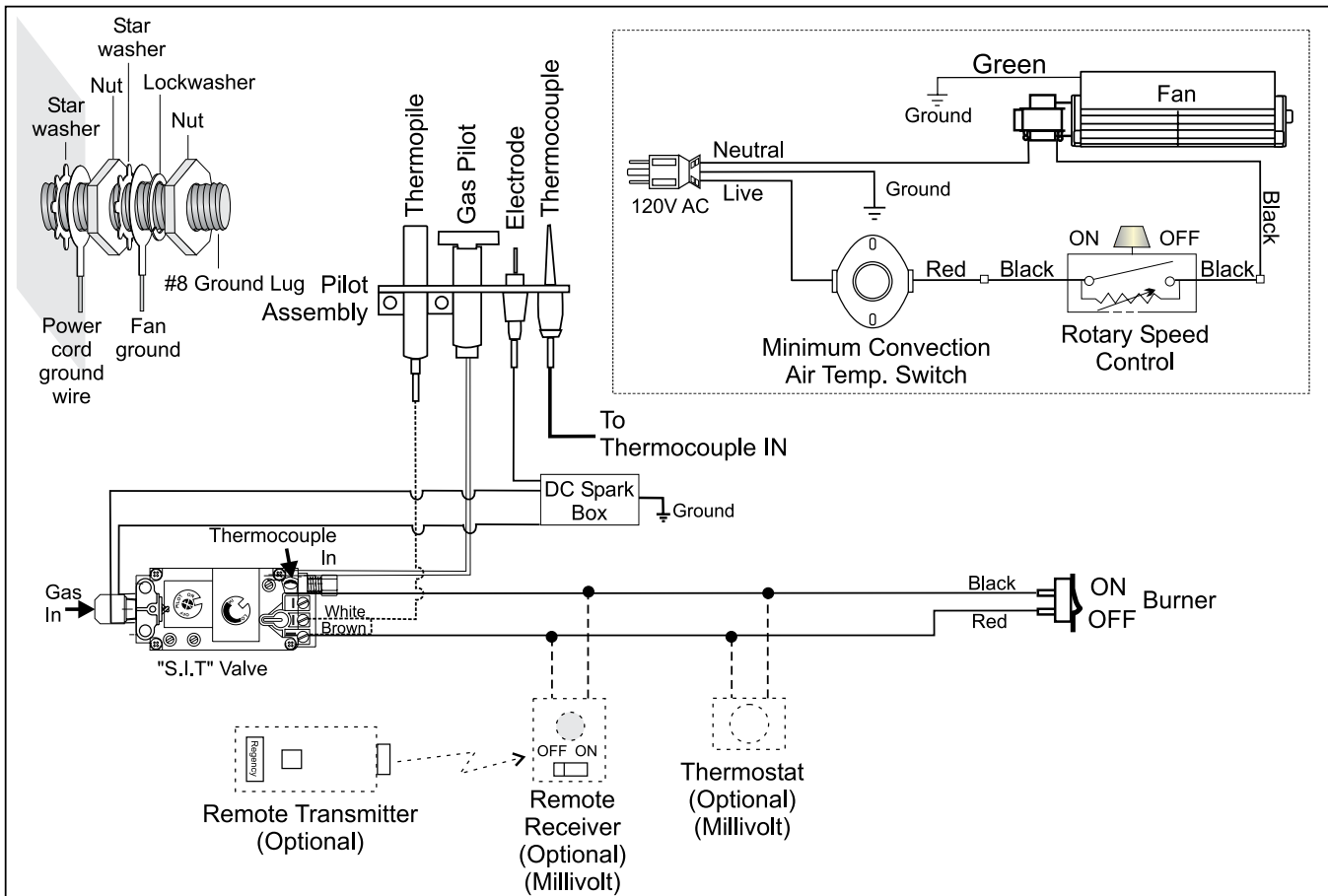
WARNING:

Electrical Grounding Instructions

This appliance is equipped with a three pronged (grounding) plug for your protection against shock hazard and should be plugged directly into a properly grounded three-prong receptacle. Do not cut or remove the grounding prong from this plug.

For PROPANE Units and Units Equipped with DC Spark Boxes*

*For installation of the DC Spark Box refer to the LP Conversion instructions in this manual.



INSTALLATION

GLASS CRYSTAL OR OPTIONAL CERAMIC STONES INSTALLATION ON BURNER

Unit	Glass Crystals	Pebbles
HZ54E / HZ54EPV	6 lbs	2 packages (6 x bags pebbles)
HZ42 / HZ42E / HZ40E	5 lbs	2 packages (6 x bags pebbles)
HZ42ST / HZ42STE / HZ42STEPV	5 lbs	2 package (6 x bags pebbles)
HZ30E	2 lbs	1 package (3 x bags pebbles)
HZI540EB	4 lbs	1.5 packages (4 x bags pebbles)
HZI390E/ HZI390EB	3 lbs	1 package (3 x bags pebbles)
HZI234E	2 lbs	1 package (3 x bags pebbles)
HZO42 / HZO42 (AUS)	3 lbs	1 package (3 x bags pebbles)
P33S / P33SE	3 lbs	1 package (3 x bags pebbles)
U32S / U32SE	3 lbs	1 package (3 x bags pebbles)
E33S	3 lbs	1 package (3 x bags pebbles)

There are 2 optional packages to choose from to cover the firebox base:

- 1) Natural River Pebbles
- 2) Glass Crystals (4 colors available)

Spread the pebbles / crystals evenly on the exposed base of the firebox. Pebbles are **NOT** to be placed anywhere on the burner or over top of the Glass Crystals or optional Ceramic Spa Stones.

IMPORTANT NOTE: Only the supplied and approved pebbles / glass crystals are to be used with these fireplaces. Use of any other type of pebbles, glass crystals or other material can create a danger and will void the warranty.



Natural River Pebbles shown surrounding the a Horizon Burner



River Pebbles shown surrounding a Sunrise Burner



Glass Crystals shown surrounding the Burner

OPTIONAL PEBBLE / CRYSTAL INSTALLATION FOR FIREBOX BASE

When using Ceramic Spa/ Lava Stones DO NOT cover burner ports or pilot light that lead to pilot flame. Ensure the crystals or stones do not overlap excessively as this will effect the flame pattern.

BURNER PACKAGES		
Unit	*Glass Crystals	Ceramic Spa / Volcanic Stones
HZ54E / HZ54EPV	3 lbs	1 lb Glass + 2 packages (140 spa stones)
HZ42 / HZ42E / HZ40E	2 lbs	1 lb Glass + 1 package (70 spa stones)
HZ42ST / HZ42STE HZ42STEPV	2 lbs	1 lb Glass + 1 package (70 spa stones)
HZ30E **	1 lb	1 lb Glass + 1 package (70 spa stones)**
HZI234E ***	3/4 lb	3/4 lb Glass + 1 package 70 spa stones)***
HZI390E/ HZI390EB *	7 lbs [4 lbs burner + 3 lbs firebox]	2 lb Glass + 1 package (70 spa stones) / 2 lb Glass + 1 package (volcanic stones)
HZI540EB *	8 lbs [4 lbs burner + 4 lbs firebox]	2 lb Glass + 1 package (70 spa stones) / 2 lb Glass + 1 package (volcanic stones)
HZO42/HZO42 (AUS)	3 lbs	Not Approved
L676S	1 lb	1 package = (70 spa stones)
P33S/P33SE ****	1 lbs	1 package = (70 spa stones)****
PTO30*/Plateau Series	10 lbs	Not Approved
PTO60*	20 lbs	Not Approved
U32S / U32SE	1 lb	1 package = (70 spa stones)
E33S	1 lb	1 package = (70 spa stones)

NOTE: * Glass Crystals are available in 1lb and 5lb bags. All units come standard with Cobalt Blue glass crystals except:
 * HZO42 comes with Copper glass crystals.
 * HZI390E, HZI390EB, HZI540EB, PTO30, PTO60 & Plateau Series do NOT include glass crystals with units. Must purchase separately.
 • 1 Ceramic Spa stone package contains 70 stones.
 ** Recommended - use only 40 of the 70 ceramic stones on the **HZ30E** burner.
 *** Recommended - use only 24 of the 70 ceramic stones on the **HZI234E** burner.
 **** Recommended - use only 50 of the 70 ceramic stones on the **P33S/P33SE** burner.



*Glass Crystals shown on Burner
 For Units HZ54E, HZ54EPV, HZ42ST, HZ42STE, HZ42STEPV,
 HZI234E, HZ42E, HZ42, HZ40E, HZ30E,
 HZO42, HZO42 (AUS) PTO30, PTO60 Plateau Series only*



*Optional Ceramic Spa Stones + Glass Crystals shown on burner.
 For Units HZ54E, HZ54EPV, HZ42ST, HZ42STE, HZ42STEPV,
 HZI234E, HZ42, HZ42E, HZ40E, HZ30E only*



*Glass Crystals shown on Burner
 For units P33S, P33SE, L676S, U32S, U32SE, E33S only*



*Optional Ceramic Spa Stones shown on burner.
 For units P33S, P33SE, L676S, U32S, U32SE, E33S only*



Glass Crystals shown on Burner and Firebox Floor

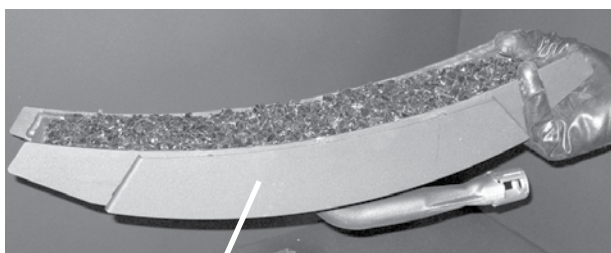
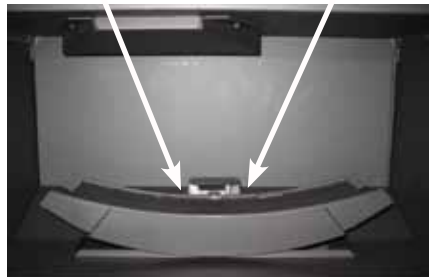
OPTIONAL REFLECTIVE PANEL INSTALLATION

Before installation, panels must be handled and cleaned as per instructions noted below:

Stainless Steel Panels	Black Enamel Panels
<ul style="list-style-type: none"> Stainless panels must be inspected for scratches and dimples prior to installation. All claims to be recorded at this time. Claims for damage after installation will not receive consideration. 	<ul style="list-style-type: none"> Black Enamel panels must be inspected for scratches and dimples prior to installation. All claims to be recorded at this time. Claims for damage after installation will not receive consideration.
<ul style="list-style-type: none"> To protect the finish during installation and handling - cotton gloves MUST be worn at all times while handling the panels (even when removing protective coating). 	
<ul style="list-style-type: none"> Use a hair dryer to remove the protective coating from the panels. 	
<ul style="list-style-type: none"> Stainless panels will discolor a little during normal operation. This is normal and should not be considered a defect. 	<ul style="list-style-type: none"> Black Enamel panels will discolor a little during normal operation. This is normal and should not be considered a defect.
<p>* All hand and finger marks MUST be cleaned off with a soft cloth and a stainless steel cleaner. Most stainless steel cleaners leave a film/residue on the surface of the panels. Use an ammonia based cleaner (ie. glass cleaner) to remove this film before applying heat to the unit. Failure to do this will result in burn stains on panels which you will be unable to remove. Not protected by product warranty.</p>	<p>* All hand and finger marks MUST be cleaned off with a soft cloth. Use an ammonia based cleaner (ie. glass cleaner) to remove any fingerprints before applying heat to the unit. Failure to do this will result in burn stain on panels which you will be unable to remove. Not protected by product warranty.</p>

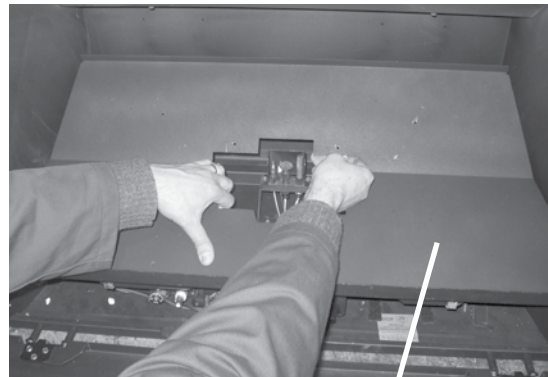
Removal of Standard Black Panels already in Unit:

- 1) Turn off power and gas supply.
- 2) Remove louvers and flush door.
- 3) Remove the burner by undoing the 2 screws that secure it in place.
 - a) Carefully slide the burner to the left.
 - b) Then lift the burner up and out carefully, ensuring not to spill the glass crystals.



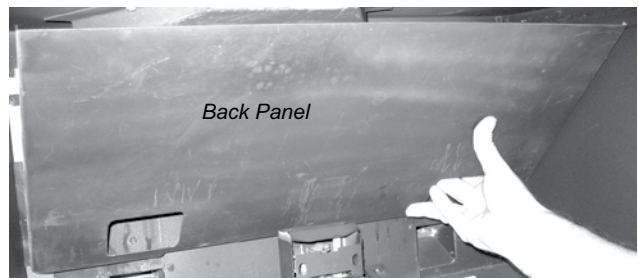
Burner

- 4) Remove the firebox base by lifting up from the back and maneuver out carefully. Ensure not to scratch the paint work or damage the pilot while lifting out.



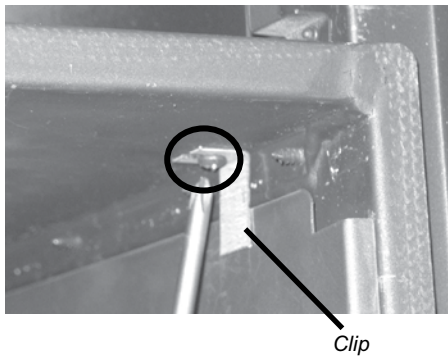
Firebox Base

- 5) Remove the back black panel by lifting up and slide out carefully.

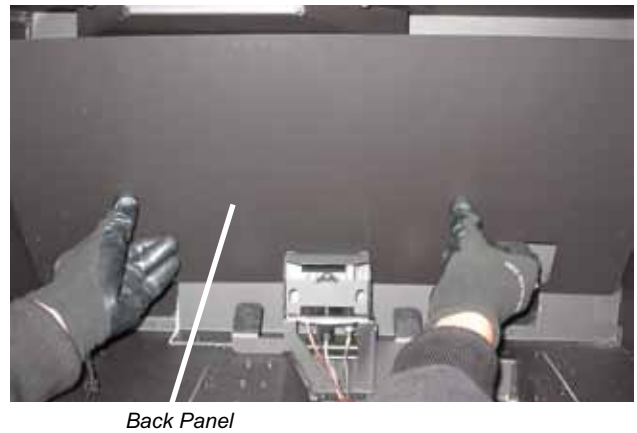


Back Panel

- 6) Remove left and right side panels by removing the clip that holds the panels in place. Right side panel clip shown.



- 8) Install the back panel by carefully placing it against the back wall of the firebox.



Installation of Black Enamel or Stainless Steel Panels

- 7) Slide the right side stainless steel / black enamel panel in place and secure with the panel clip and screw to the top of the firebox as shown below. Repeat for left side.



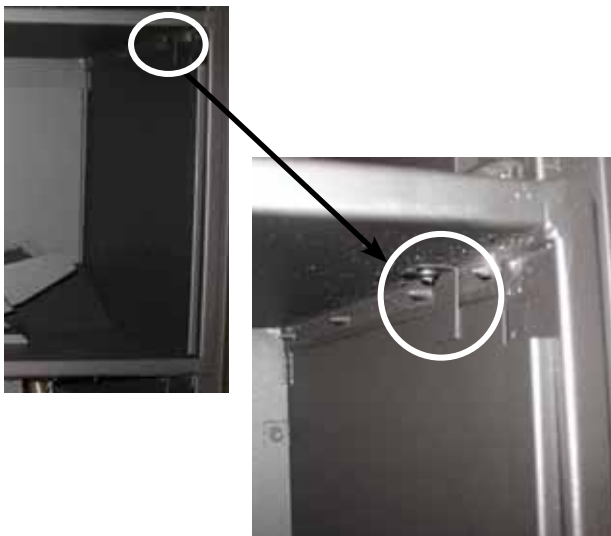
- 9) Re-install firebox base.

- 10) Re-install burner.



- 11) Re-install louvers and flush door.

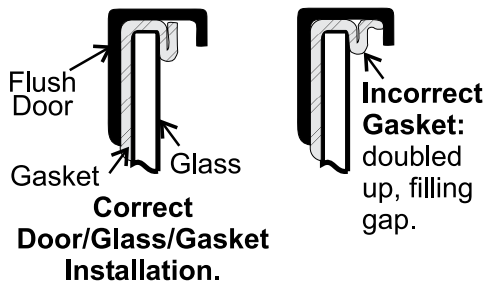
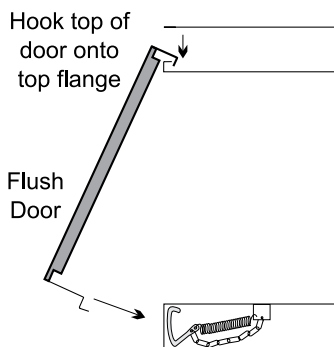
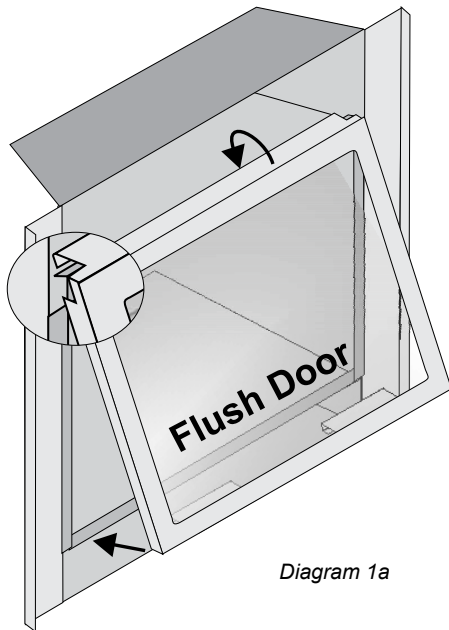
- 12) Turn on power and gas supply.



STANDARD FLUSH DOOR

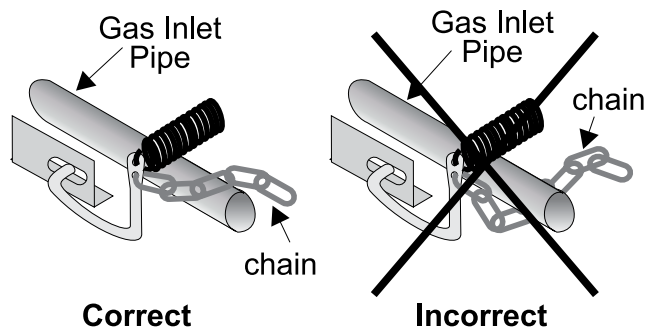
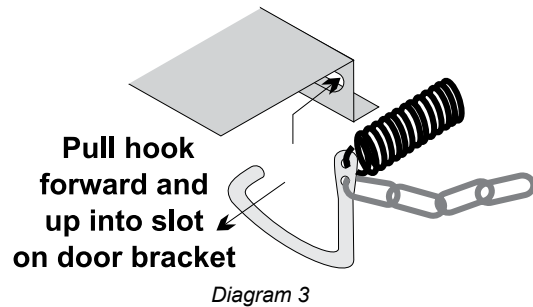
The standard flush door comes with a black frame. To install the frame, simply hook the top door flange onto the top of the unit and swing the door towards the unit, diagram 1. Be careful that the glass gasket does not roll up; there must be a gap between the gasket and the door lip to ensure that the door sits securely on the unit. Diagram 2.

Use the hook to pull the spring out until you can put the hook into the slot on the bottom door bracket. Repeat for 2nd spring. See diagram 3.



To remove the flush door, reverse the above steps.

IMPORTANT NOTE: The chain must rest on TOP of the gas inlet pipe never under it.

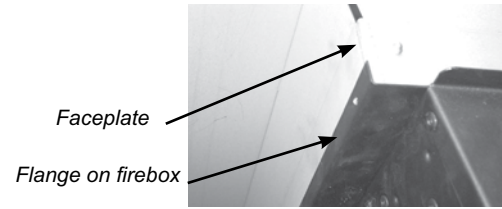


FACEPLATE AND DOOR FRAME INSTALLATION

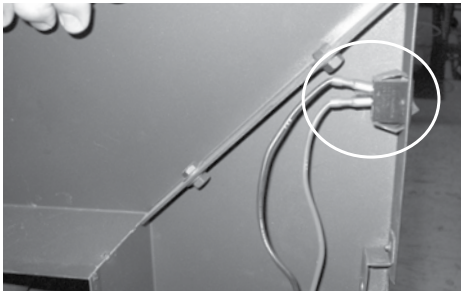
Kit# 425-914 Contents List:

1	Complete Faceplate with Switches
1	Door Frame
1	Bottom Louver
2	Hinges
2	Bottom Louver Brackets
4	Pan Head Screws
1	Wire Clip
1	Instruction Sheet

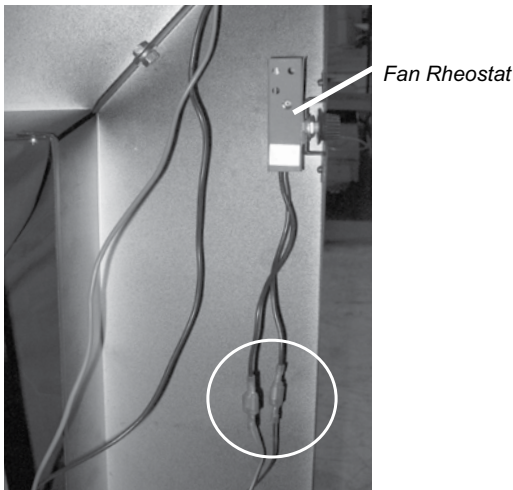
Note: Ensure that the flanges on the sides of the firebox are on the outside, when installing the faceplate (see below).



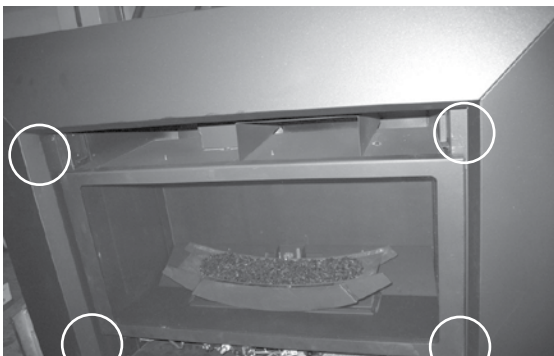
- 1) Bring the faceplate up in front of the unit and connect the red & black ON/OFF wires from the unit to the ON/OFF switch on the back of the left side of the faceplate.



- 2) Connect the grey coated female ends of the black & red fan wires from the unit to the male ends of the fan rheostat on the left side of the faceplate as shown.

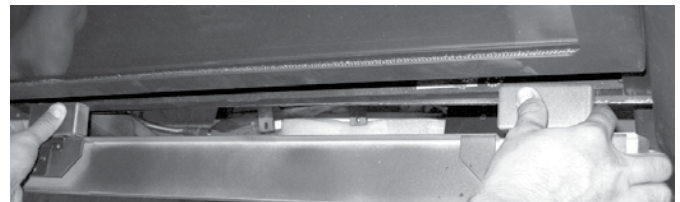


- 3) Position faceplate on unit lining up screw holes on faceplate with screw holes on unit - secure with 4 screws.



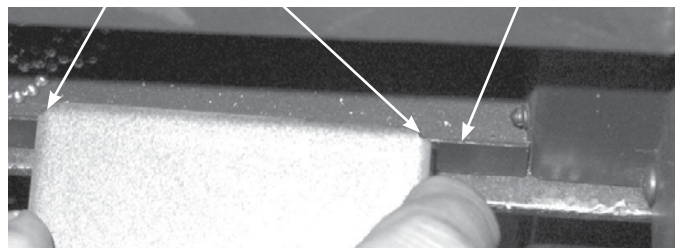
- 4) Fold down the 2 hinges on the bottom frame to a flat position. The bottom frame is installed with a friction fit - the opening in the corner of each hinge slides over the metal lip located on the floor of the unit.

Note: Ensure the bottom frame is positioned properly before installing, by making sure there is equal spacing on either side.

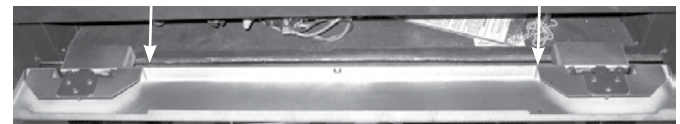


Openings on hinge

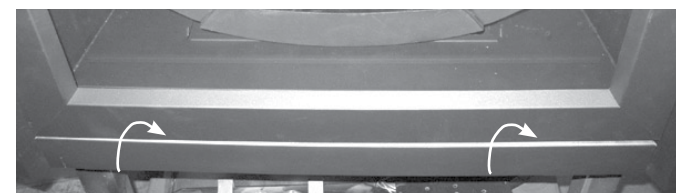
Metal Lip



- 5) Push both bottom frame hinges down on the metal lip until they are fully seated.

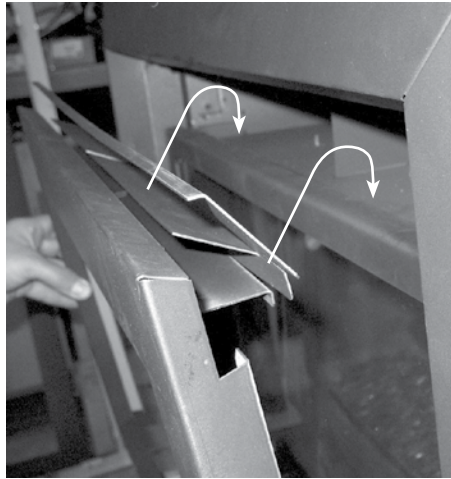


- 6) Flip bottom louver up to close.



INSTALLATION

7) Install the door frame by hooking the top flange over the top of the glass door.

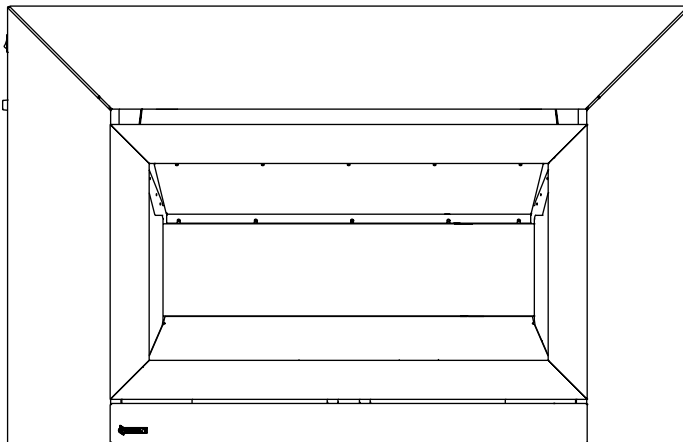


8) Lower the door frame gently into place.



9) Run supplied 120V power cord along front face of masonry fireplace and plug into nearest receptacle.

10) Slide unit into final position.



Completed Faceplate & Door Frame Installation

LOW PROFILE FACEPLATE INSTALLATION

- 1) Attach the inner faceplate panel to the insert body using 4 screws in the locations shown below.



Diagram 1

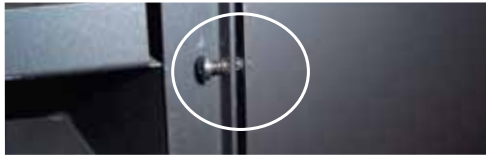


Diagram 2

- 2) Connect the male end black and red fan switch wires (in the black casing) to the wire connectors from the fan speed control.

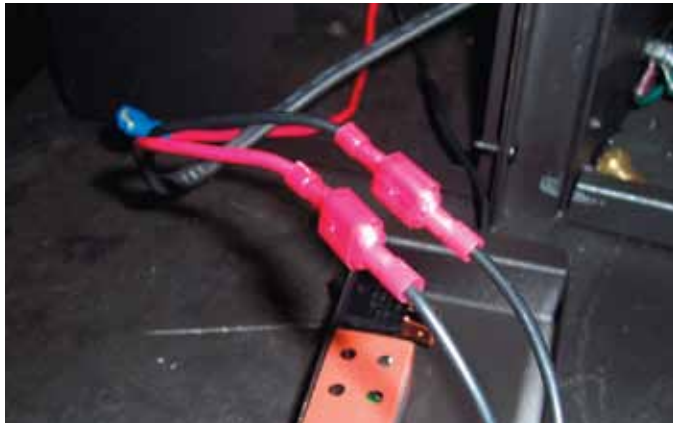


Diagram 3

- 3) Connect the female ends of the ON/OFF switch - to the ON/OFF switch in the control box.



- 4) Tuck the wires into the clip to keep them away from the insert using the clip provided. Attach the clip to the rear of the faceplate to ensure that the wires do not touch the side of the unit. The power cord should be run behind the inner faceplate panel.

- 5) Install the on /off switch - fan speed control box to the left hand bottom leg of the inner faceplate. Controls located on the left side.



Diagram 5

- 6) Secure the wires to the back of the inner faceplate with a wire clip



Diagram 6

- 7) Attach the 2 bottom louver hinges to the bottom flange on the firebox using 2 screws per hinge.



INSTALLATION

- 8) Attach the bottom louver to the 2 hinges using 2 screws per hinge.



Diagram 7

- 9) Install the top door pressure retainer, required.

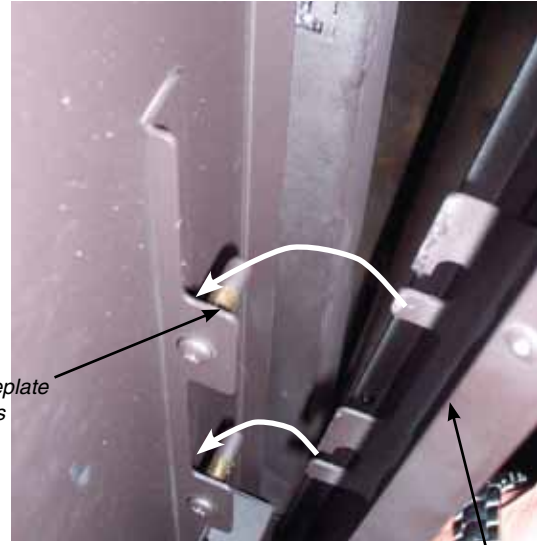


Diagram 8



Diagram 9

- 10) Take the outer faceplate, line up the openings on the left and right legs and install onto the inner faceplate panel pins.



Inner faceplate panel pins

Diagram 10

Outer faceplate



Final Install

Diagram 11

OPTIONAL HEARTH TRIM INSTALLATION

The Hearth Trim is an option that can be used to finish off the installation when the bottom of the fireplace is higher than the hearth or to raise the fireplace. The faceplate is assembled first and then the hearth trim is attached to the faceplate. There are 2 Hearth Trim options; a 2" and a 4".

2" Hearth Trim Installation:

- 1) Attach the Hearth Trim to the bottom of the faceplate side panels with the screws provided (3 per side) as shown in diagram 1. The holes in the Hearth Trim are oblong so the trim can be adjusted inwards or outwards as needed to suit finishing.

NOTE: Don't tighten the screws down completely at this point, do a trial fit to the unit, make any necessary adjustments, when trim fits properly, tighten the screws.

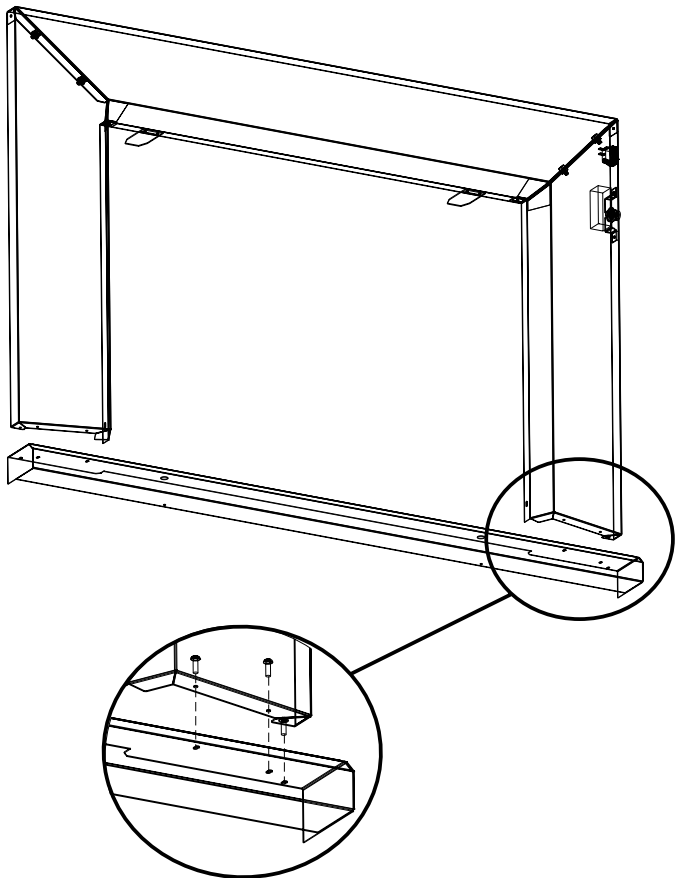


Diagram 1

4" Hearth Trim Installation:

- 1) Secure the two 2" hearth trim pieces together as shown in diagram 2. Secure using the 2 screws provided.
- 2) Attach the now 4" Hearth Trim to the bottom of the faceplate side panels with the screws provided (3 per side) as shown in diagram 1. The holes in the Hearth Trim are oblong so the trim can be adjusted inwards or outwards as needed to suit finishing.

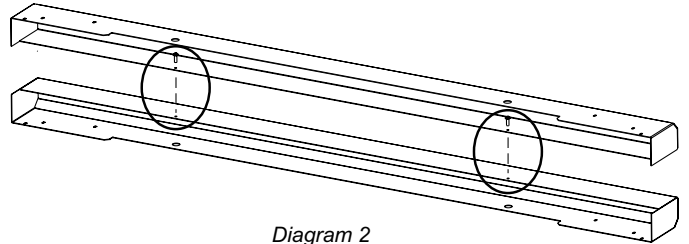


Diagram 2

INSTALLATION

LOW PROFILE FACEPLATE INSTALLATION

- 1) Attach the inner faceplate panel to the insert body using 4 screws in the locations shown below.



Diagram 1

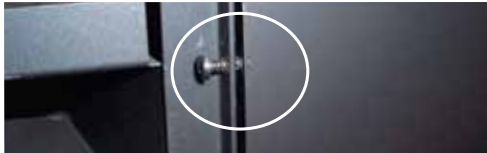


Diagram 2

- 2) Connect the male end black and red fan switch wires (in the black casing) to the wire connectors from the fan speed control.

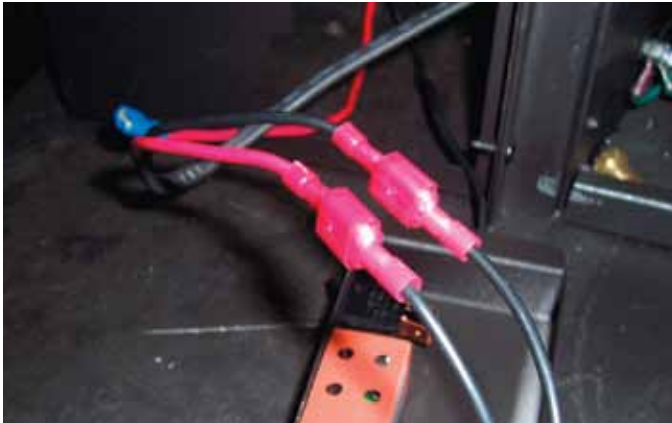


Diagram 3

- 3) Connect the female ends of the ON/OFF switch - to the ON/OFF switch in the control box.



- 4) Tuck the wires into the clip to keep them away from the insert using the clip provided. Attach the clip to the rear of the faceplate to ensure that the wires do not touch the side of the unit. The power cord should be run behind the inner faceplate panel.



Diagram 5

- 6) Secure the wires to the back of the inner faceplate with a wire clip.



Diagram 6

- 7) Attach the 2 bottom louver hinges to the bottom flange on the firebox using 2 screws per hinge.



LOW PROFILE HEARTHTRIM INSTALLATION

Hearth Trim is an option that can be used to finish off the installation when the bottom of the fireplace is higher than the hearth or to raise the fireplace.

1) For units L390E/HZI390E/L540E/HZI540E—remove 4 screws in locations shown below to remove outer faceplate.

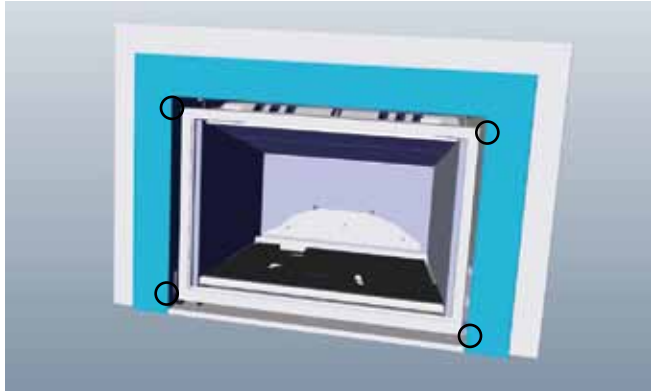


Diagram 1—Screw Locations

1a) For units U31/U32/E21/E33—remove outer faceplate by lifting up and off backing plate.

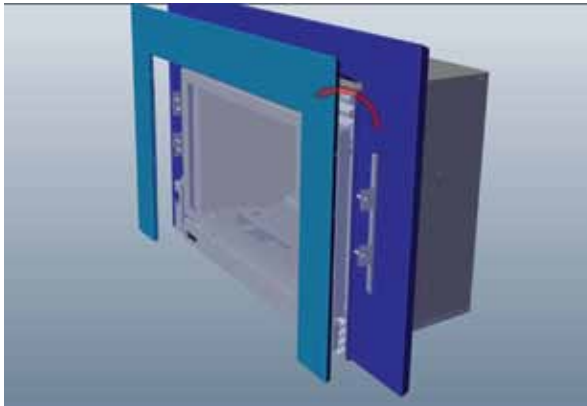


Diagram 2—Lift off Front Faceplate

**If no holes are present on the backing plate, proceed to the Step 3.

2) If screw holes are present on backing plate, secure the hearth trim to backing plate with 2 screws on each side.



Hearth Trim

Diagram 3—Hearth Trim Secured to Backing Plate

** If no screw holes are present.

3) Remove backing plate by removing 4 screws—lay down flat.

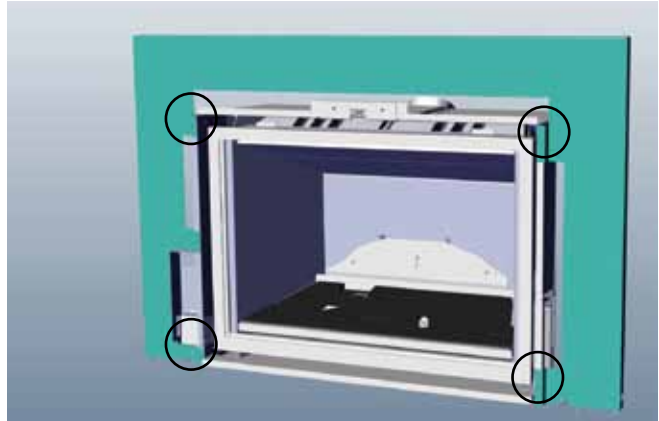


Diagram 4—Backing Plate Removal Units L390E/HZI390E/L540E/HZI540E

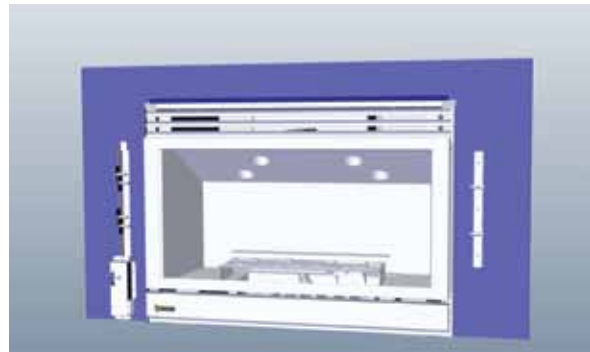
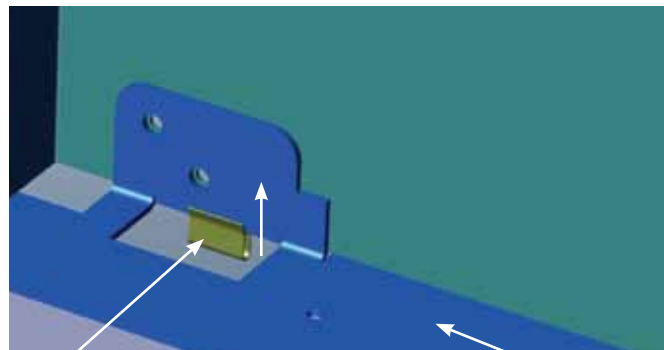


Diagram 5—Backing Plate Removal Units U31/U32/E21/E33

4) Secure hearth trim to backing plate with a clip on each side as shown in Diagram 6. Ensure the hearth trim is evenly spaced on either side of the backing plate.



Clip

Diagram 6—Hearth Trim Clip

Hearth Trim

5) Reinstall backing plate.

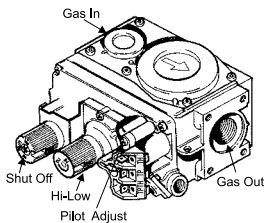
6) Reinstall outer faceplate.

OPERATING INSTRUCTIONS

Before operating this appliance, proceed through the following check list.

- 1) Read and understand these Instructions before operating this appliance.
- 2) Check to see that all wiring is correct and enclosed to prevent possible shock.
- 3) Check to ensure there are no gas leaks.
- 4) Make sure the glass door is in place. Never operate the appliance with the door glass removed.
- 5) Verify that all venting and the cap is unobstructed.
- 6) Verify log placement. If the pilot cannot be seen when lighting the unit - the logs or the embers have been incorrectly positioned.
- 7) The unit should never be turned off and on again without a minimum of a 60 second wait.
- 8) When lighting the appliance, the inside of the glass may fog up. This will burn off after a few minutes of operation.

DO NOT BURN THE APPLIANCE WITH THE GLASS ASSEMBLY REMOVED.



LIGHTING PROCEDURE

IMPORTANT

To ignite or reignite the pilot, you must first release the tension springs below the door.

Only when the pilot holds, without pressure being applied to the control knob, reapply the tension springs to the door. The unit **must not** be operated with the tension springs unattached.

NOTE: For all propane units and units equipped with electric spark boxes, see "Copy of Lighting Plate Instructions" section for more details.

IMPORTANT: Gas on/off knob cannot be turned from "PILOT" to "OFF" unless it is partially depressed.

- 1) Open the bottom louver assembly
- 2) If the control knob is in the "OFF" position proceed to Step 5.
- 3) Push in gas control knob slightly and turn clockwise to "OFF". Knob cannot be turned from "PILOT" to "OFF" unless knob is pushed in slightly. Do not force.
- 4) Wait five minutes to allow gas, that may have accumulated in the main burner compartment, to escape. If you do smell gas, follow the instructions on the front of this manual. If you don't smell gas continue on to the next step.
- 5) Turn the gas control counter clockwise to "PILOT".
- 6) Push in control knob all the way and hold in. Continually push and release the black button on spark igniter until pilot lights. Continue to hold the control knob in for approximately one minute, then release the gas control knob. The pilot flame should continue to burn. If the pilot does not remain lit, repeat operation allowing a longer period before releasing gas control knob.
- 7) Turn gas control knob counter clockwise to "ON".
- 8) Use the rocker switch to operate main burner.
- 9) Rotate the variable flame control to adjust the flame height higher or lower.
- 10) Close the bottom louver assembly.

SHUTDOWN PROCEDURE

- 1) Use the rocker switch to turn off the main burner.
- 2) Open the bottom louver assembly.
- 3) Push in the gas control knob slightly and turn clockwise to "OFF". Do not force.
- 4) Disconnect all electric power and gas to the appliance if service is to be performed.

FIRST FIRE

The first fire in your insert is part of the paint curing process. To ensure that the paint is properly cured, it is recommended that you burn your fireplace for at least four (4) hours the first time you use it with the fan on. When first operated, the unit will release an odour caused by the curing of the paint, the burning off of any oils remaining from manufacturing. Smoke detectors in the house may go off at this time. Open a few windows to ventilate the room for a couple of hours.

The glass panel may require cleaning after the unit has cooled down.

DO NOT ATTEMPT TO CLEAN THE GLASS WHILE IT IS HOT.

Note: When the glass is cold and the appliance is lit, it may cause condensation and fog the glass. This condensation is normal and will disappear in a few minutes as the glass heats up.

DO NOT BURN THE APPLIANCE WITHOUT THE GLASS FRONT IN PLACE.

During the first few fires, a white film may develop on the glass front as part of the curing process. The glass should be cleaned or the film will bake on and become very difficult to remove. Use a non-abrasive cleaner and NEVER clean the glass while it is hot.

AUTOMATIC CONVECTION FAN OPERATION

The fan operates automatically, turn the knob on the side of the faceplate to adjust to the desired speed. The fan will turn on as the insert comes up to operating temperature. After the unit has been turned off and the unit cooled to below a useful heat output range the fan will shut off automatically.

NORMAL OPERATING SOUNDS OF GAS APPLIANCES

It is possible that you will hear some sounds from your gas appliance. This is perfectly normal due to the fact that there are various gauges and types of steel used within your appliance. Listed below are some examples. All are **normal operating sounds** and should not be considered as defects in your appliance.

Blower:

Regency gas appliances use high tech blowers to push heated air farther into the room. It is not unusual for the fan to make a "whirring" sound when ON. This sound will increase or decrease in volume depending on the speed setting of your fan speed control.

Burner Tray:

The burner tray is positioned directly under the burner tube(s) and crystals and is made of a different gauge material from the rest of the firebox and body. Therefore, the varying thicknesses of steel will expand and contract at

COPY OF LIGHTING INSTRUCTION PLATE

slightly different rates which can cause "ticking" and "cracking" sounds. You should also be aware that as there are temperature changes within the unit these sounds will likely re-occur. Again, this is normal for steel fireboxes.

Blower Thermodisc:

When this thermally activated switch turns ON it will create a small "clicking" sound. This is the switch contacts closing and is normal.

Pilot Flame:

While the pilot flame is on it can make a very slight "whisper" sound.

Gas Control Valve:

As the gas control valve turns ON and OFF, a dull clicking sound may be audible, this is normal operation of a gas regulator or valve.

Unit Body/Firebox:

Different types and thicknesses of steel will expand and contract at different rates resulting in some "cracking" and "ticking" sounds will be heard throughout the cycling process.

MAINTENANCE INSTRUCTIONS

- Always turn the gas valve to off before cleaning. For relighting, refer to lighting instructions. Keep the burner and control compartment clean by brushing and vacuuming at least once a year. When cleaning the logs, use a clean soft paint brush as the logs are fragile and easily damaged.
- Clean (never when unit is hot) appliance, door and faceplate with a damp cloth. Never use an abrasive cleaner. The finishes on the door frame and faceplate may be scratched if abrasives are used to clean them. The heater is finished in a heat resistant paint and should only be refinished with heat resistant paint (not with wall paint). Regency uses StoveBrite Paint - Metallic Black #6309.
- Make a periodic check of burner for proper position and condition. Visually check the flame of the burner periodically, making sure the flames are steady; not lifting or floating. If there is a problem, call a qualified service person.
- The appliance and venting system must be inspected before use, and at least annually, by a qualified field service person, to ensure that the flow of combustion and ventilation air is not obstructed. During the annual service call, the burners should be removed from the burner tray and cleaned. Replace the embers but do not block the pilot.
- Keep the area near the appliance clear and free from combustible materials, gasoline and other flammable vapours and liquids.

FOR YOUR SAFETY READ BEFORE LIGHTING

This appliance must be installed in accordance with local codes, if any; if none, follow the National Fuel Gas Code, ANSI Z223.1/NFPA 54, or Natural Gas and Propane Installation Codes, CSA B149.1. (Australia: A S5601-2004, New Zealand: NZS 5261)

WARNING: If you do not follow these instructions exactly, a fire or explosion may result causing property damage, personal injury or loss of life. Improper installation, adjustment, alteration, service or maintenance can cause injury or property damage. Refer to the owner's information manual provided with this appliance. For assistance or additional information consult a qualified installer, service agency or gas supplier.

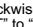
- This appliance has a pilot which must be lit by hand, following the instructions below exactly.
- BE FORE LIGHTING** smell all around the appliance area for gas. Be sure to smell next to the floor because some gas is heavier than air and will settle on the floor.
WHAT TO DO IF YOU SMELL GAS
 - Do not try to light any appliance
 - Do not touch any electric switch, do not use any phone in your building
 - Immediately call your gas supplier from a neighbors phone. Follow the gas supplier's instructions.
 - If you cannot reach your gas supplier, call the fire department.
- Use only your hand to push in or turn the gas control knob. Never use tools. If the knob will not push in or turn by hand, don't try to repair it, call a qualified service technician. Force or attempted repair may result in a fire or explosion.
- Do not use this appliance if any part has been under water. Immediately call a qualified service technician to inspect the appliance and to replace any part of the control system and any gas control which has been under water.
- This appliance needs fresh air for safe operation and must be installed so there are provisions adequate combustion + ventilation air.

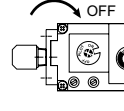
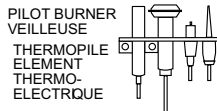
CAUTION: Hot while in operation. Do not touch. Severe Burns may result. Due to high surface temperatures keep children, clothing and furniture, gasoline and other liquids having flammable vapors away. Keep burner and control compartment clean. See installation and operating instructions accompanying appliance.

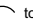

LIGHTING INSTRUCTIONS

STOP! Read the safety information above on this label.

FOR UNITS NOT EQUIPPED WITH ELECTRIC SPARK:

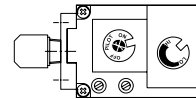
- Push in gas control knob slightly and turn clockwise  to "OFF". Knob cannot be turned from "PILOT" to "OFF" unless knob is pushed in slightly. Do not force.




- Wait five (5) minutes to clear out any gas. If you then smell gas STOP! follow "B" in the safety information above on this label. If you don't smell gas, go to the next step.
- Turn knob on gas control counterclockwise  to "PILOT".
- Push in control knob all the way and hold in. Immediately push black button on spark igniter until pilot lights. Continue to hold the control knob in for about 1/2 minute after the pilot is lit. Release knob and it will pop back up. Pilot should remain lit. If it goes out, repeat steps 3) and 4).
If knob does not pop up when released, stop and immediately call your service technician or gas supplier.
If the pilot will not stay lit after several tries, turn the gas control knob to "OFF" and call your service technician or gas supplier.
- Turn gas control knob counterclockwise  to "ON".
- Use rocker switch to operate main burner.

FOR ALL PROPANE UNITS AND UNITS EQUIPPED WITH ELECTRIC SPARK BOXES:

- Push in gas control knob slightly and turn to "PILOT" position.
- Push in control knob all the way and hold in until the pilot lights up. Continue to hold the control knob in for about 20 seconds after the pilot is lit. Release knob.
- Push in gas control knob slightly and turn to "ON" position.
- Turn ON the flame switch.



TO TURN OFF GAS APPLIANCE

- Turn off the flame switch.
- Push in the gas control knob slightly and turn clockwise  to "OFF". Do not force.
- Turn off all electric power to the appliance if service is to be performed.

You may shut off the pilot during prolonged non use periods to conserve fuel.

DO NOT REMOVE THIS INSTRUCTION PLATE

918-474b

WARNING: CHILDREN AND ADULTS SHOULD BE ALERTED TO THE HAZARDS OF HIGH SURFACE TEMPERATURE AND SHOULD STAY AWAY TO AVOID BURNS OR CLOTHING IGNITION. YOUNG CHILDREN SHOULD BE CAREFULLY SUPERVISED WHEN THEY ARE IN THE SAME ROOM AS THE APPLIANCE.

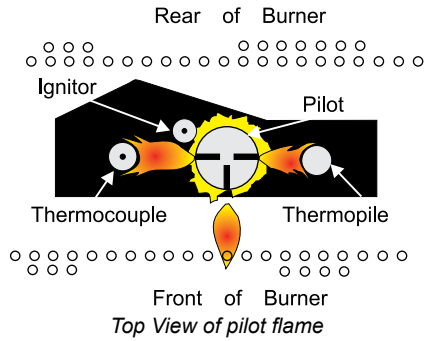
CAUTION: ANY SAFETY SCREEN OR GUARD REMOVED FOR SERVICING AN APPLIANCE MUST BE REPLACED PRIOR TO OPERATING THE APPLIANCE.

CLOTHING OR OTHER FLAMMABLE MATERIAL SHOULD NOT BE PLACED ON OR NEAR THE APPLIANCE.

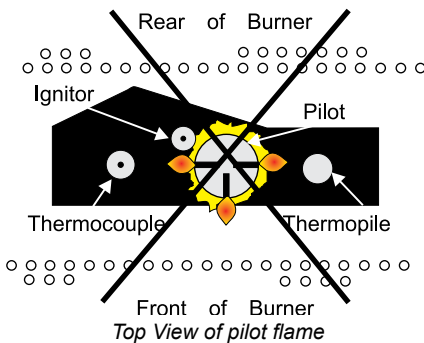
- Each time the appliance is lit, it may cause condensation and fog the glass. This condensation and fog is normal and will disappear in a few minutes as the glass heats up.

Never operate the appliance without the glass properly secured in place or with the door open.

- Do not use this appliance if any part has been under water. Immediately call a qualified service technician to inspect the appliance and to replace any part of the control system and any gas control which has been under water.
- Periodically check the pilot flames. Correct flame pattern has three strong blue flames: 1 flowing around the thermopile and 1 around the thermocouple, and 1 flowing across the rear of the burner (it does not have to be touching the burner).
If you have an incorrect flame pattern, contact your Regency dealer for further instructions.



Incorrect flame pattern will have small, probably yellow flames, not coming into proper contact with the rear of the burner or thermopile.



GENERAL VENT MAINTENANCE

Conduct an inspection of the venting system semi-annually. Recommended areas to inspect as follows:

- 1) Check the Venting System for corrosion in areas that are exposed to the elements. These will appear as rust spots or streaks, and in extreme cases, holes. These components should be replaced immediately.
- 2) Remove the Termination Cap, and shine a flashlight down the Vent. Remove any bird nests, or other foreign material.
- 3) Check for evidences of excessive condensation, such as water droplets forming in the inner liner, and subsequently dripping out the joints, Continuous condensation can cause corrosion of caps, pipe, and fittings. It may be caused by having excessive lateral runs, too many elbows, and exterior portions of the system being exposed to cold weather.
- 4) Inspect joints, to verify that no pipe sections or fittings have been disturbed, and consequently loosened. Also check mechanical supports such as Wall Straps, or plumbers' tape for rigidity.

that will withstand the highest heat that your unit will produce. If your glass requires cleaning, we recommend using an approved glass cleaner available at all authorized dealers. Do not use abrasive materials. Do not clean the glass when hot.

In the event that you break your glass by impact, purchase your replacement from an authorized Regency dealer only, and follow our step-by-step instructions for replacement.

Warning: Do not operate appliance with glass panels removed, cracked or broken. Replacement of the glass should be done by a licensed or qualified service person.

Caution: Wear gloves when removing damaged or broken glass.

Flush Glass Replacement

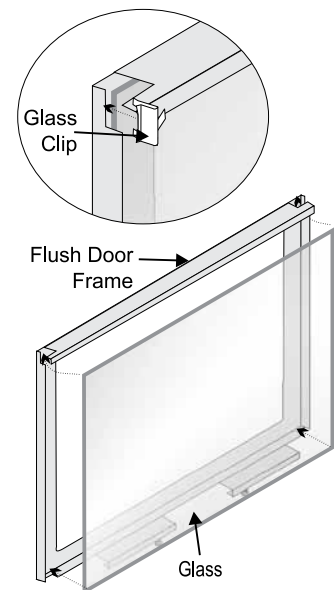
Remove the flush door front (as per instructions in section "Standard Flush Door"). Remove the 4 glass clips from each corner. Slide in the new replacement glass. Push the 4 glass clips back onto the frame.

GLASS GASKET

If the glass gasket requires replacement use glass gasket (Part # 936-155).

DOOR GLASS

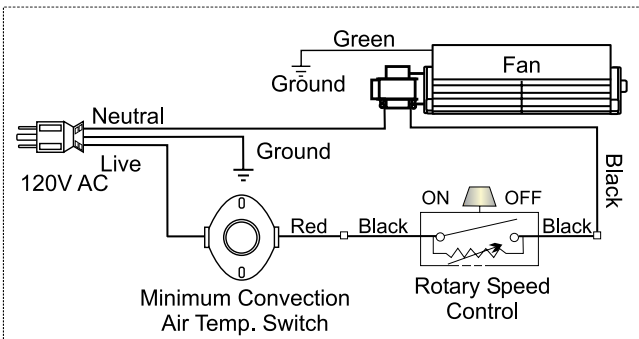
Your Regency insert is supplied with high temperature, 5 mm Neoceram ceramic glass



FAN MAINTENANCE

If your fan requires maintenance or replacement, access to the fan is through the plate on the rear wall of the firebox. **NOTE: the unit MUST NOT be operated without the fan access panel securely in place.**

Caution: Label all wires prior to disconnecting when servicing controls. Wiring errors can cause improper and dangerous operation. Verify proper operation after servicing.



FAN REMOVAL

- 1) Turn the unit off and allow it to cool down to room temperature.
- 2) Disconnect the power source and turn off the gas supply to the insert.
- 3) Open the bottom louver.
- 4) Remove the door frame by lifting out from the bottom and lift up off the glass door.

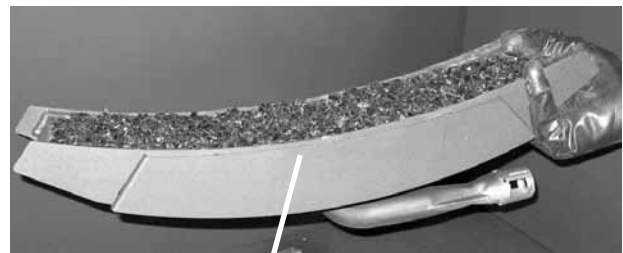


Door Frame Glass Door

- 5) Remove the glass door.
 - a) Remove the 2 hooks shown below at the bottom of the glass door.
 - b) Swing the door out 45° from the bottom and lift up and out.



- 7) Remove the burner by undoing the 2 screws shown.
 - a) Carefully slide the burner to the left.
 - b) Then lift the burner up and out carefully, ensuring not to spill the glass crystals.



Burner

MAINTENANCE

- 9) Remove the base cover by lifting up from the back and maneuver out.



Base Cover

- 10) Remove the back panel by manoeuvring it up and out of the firebox, as shown below.



- 11) Remove 1 screw holding the clip securing the right side panel

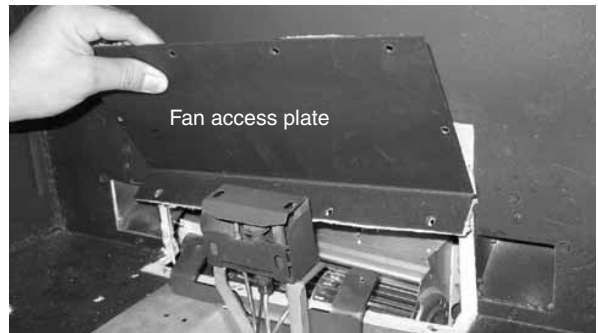
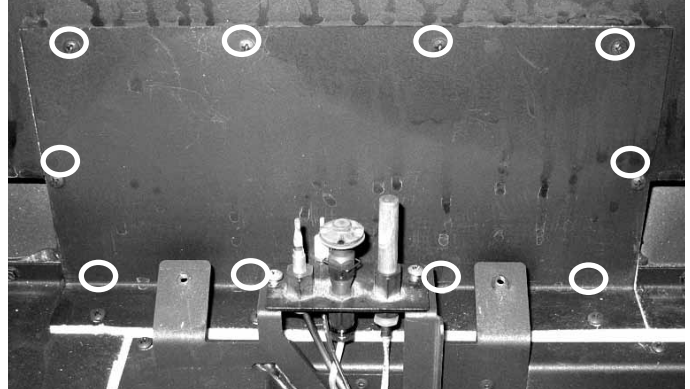


- 12) Remove the side panel.

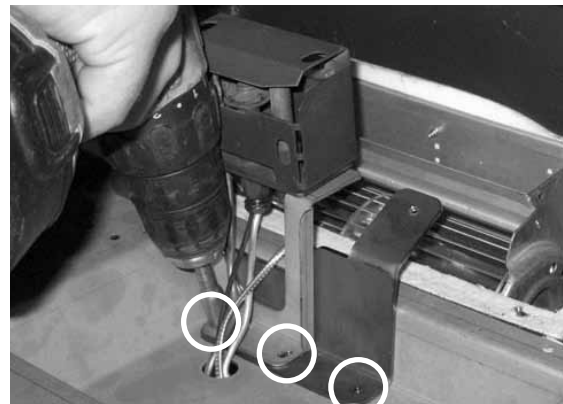


- 13) Repeat above 2 steps to remove the left side panel.

- 14) Remove the fan access plate by undoing the 10 screws shown.



- 15) Remove the 3 screws securing the burner bracket as shown below.



- 16) Move the pilot assembly out of the way - be careful of the wires leading from the pilot assembly.



Pilot assembly wires

17) Remove the burner bracket.



18) Remove the Fan Air Duct by removing the 2 screws, squeeze the sides together to remove.

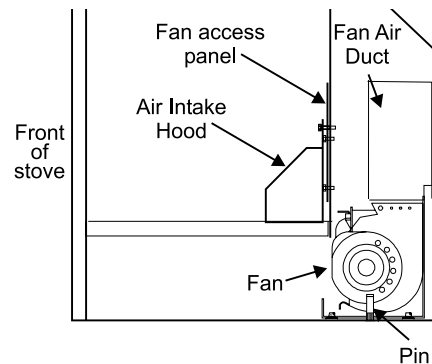
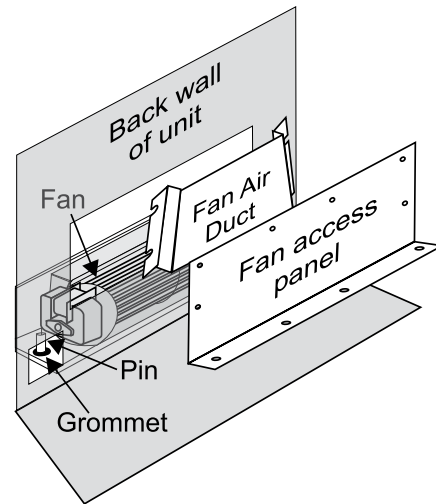


19) Unplug the 2 wires from the fan motor from inside the stove (located on the left side of the motor).

20) Lift Fan Assembly off of the 2 pins, tip forward and pull through firebox opening.



21) Disconnect green ground wire from power cord.



REPLACING THE FAN

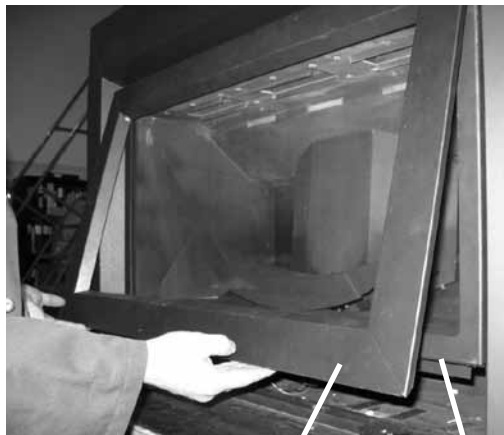
Scrape off the old gasket from the Fan Access Panel, replace and reverse above steps to replace fan

Hint: When pushing fan down onto pins - rub a dab of dishsoap on the grommet so it will slide more easily onto the pin.

Check to make sure the fan is seated properly on the pins, this is very important - try to move the fan back and forth, there shouldn't be any noise, if there is noise, check to see if the grommets have come loose.

VALVE ASSEMBLY REPLACEMENT

- 1) Turn the unit off and allow it to cool down to room temperature.
- 2) Disconnect the power source and turn off the gas supply to the insert.
- 3) Open the bottom louver.
- 4) Remove the door frame by lifting out from the bottom and lift up off the glass door.

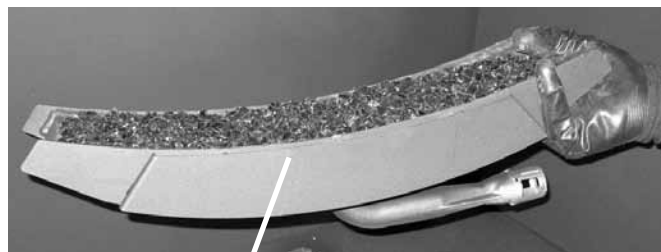


Door Frame Glass Door

- 5) Remove the glass door.
 - a) Remove the 2 hooks shown below at the bottom of the glass door.
 - b) Swing the door out 45° from the bottom and lift up and out.



- 6) Remove the burner by undoing the 2 screws shown. Carefully slide the burner to the left. Then lift the burner up and out ensuring not to spill glass crystals.
- 7) Carefully set aside the burner and glass crystals.



Burner

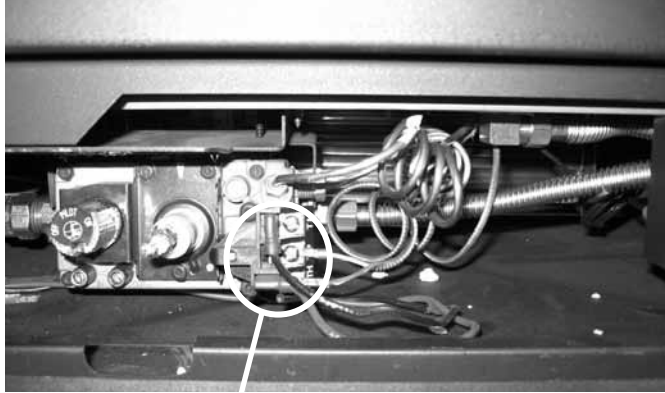
- 8) Remove the base cover by lifting up from the back and maneuver out.



Base Cover

- 9) Disconnect the ON/OFF connector wires from the valve.

NOTE: For LP units disconnect the DC Sparker ignitor wire from the valve.

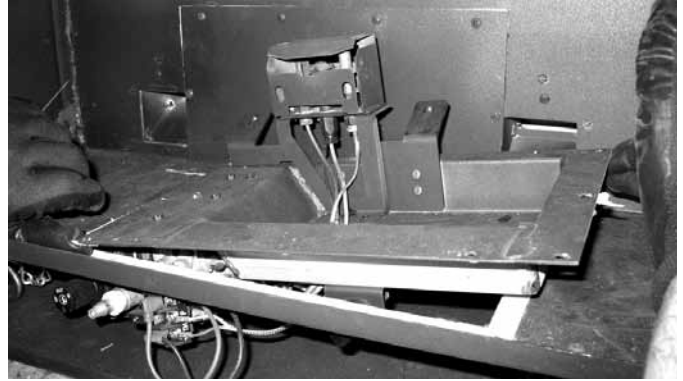


ON/OFF Wires

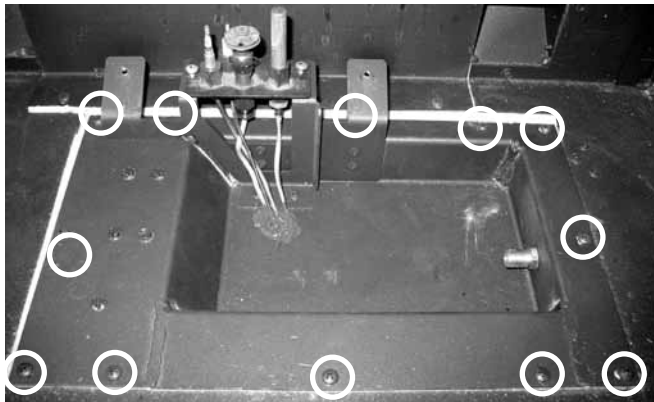
- 11) Slightly lift out valve tray.

- 12) Disconnect the inlet gas line.

- 13) Replace valve assembly and gasket, then reverse steps to reinstall new valve assembly.



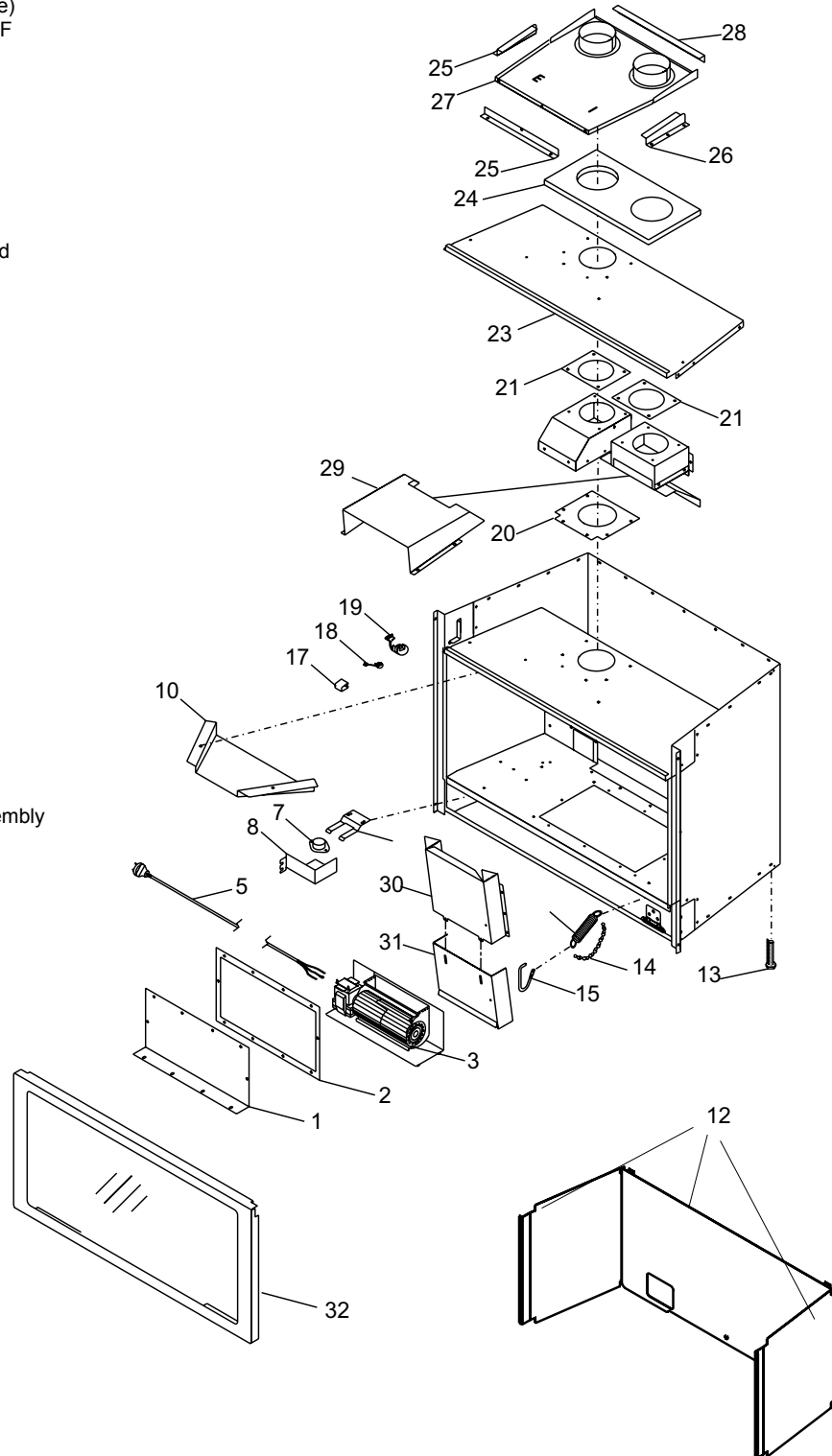
- 10) Remove the valve tray by undoing the 12 screws as shown below.



MAIN ASSEMBLY

Part #	Description
1) 420-122	Fan Access Panel
2) 420-142	Gasket - Fan Access Panel
422-518/P	Fan Assembly:
3) 910-215/P	Fan Motor (120 V)
5) 910-750	Power Cord (120 V)
910-752	Wire Harness (intermediate)
7) 910-142	Thermodisc-Fan Auto ON/OFF
8) *	Fan Switch Cover
9) *	Thermodisc Bracket
10) 420-140	Flue Restrictor
12) 425-017	Left/Right Panels
425-015	Rear Panel
425-907	Stainless Steel Panels
425-908	Black Enamel Panels
13) *	Levelling Bolt 5/16 x 3" Hex Hd
14) 948-045	Jack Chain
15) 948-247	Spring Lever Handle
16) 948-025	Door Extension Spring
17) *	Wire Holder Clip
18) *	Strain Relief
19) *	Grommet for Power Cord
514-969	Conversion Kit to Propane
20) 420-157	Gasket - Transition Box Bottom
21) 420-054	Gasket - Transition Box Top
22) *	Stove Top
23) 420-048	Thermal Insulation
24) *	Adaptor Stop
25) *	Adaptor Holding Brkt-Left
26) *	Adaptor Holding Brkt-Right
27) 320-518	Flue Adaptor Assy
28) *	Insulation Hold Down Brkt
29) 420-170	Top Fan Air Channel
30) 420-171	Upper Fan Air Channel
31) 420-172	Lower Fan Air Channel
32)	Complete Flush Door Assembly
940-307/P	Flush Glass
904-691	U Clip
936-155	Tadpole Glass Gasket
918-788	Manual

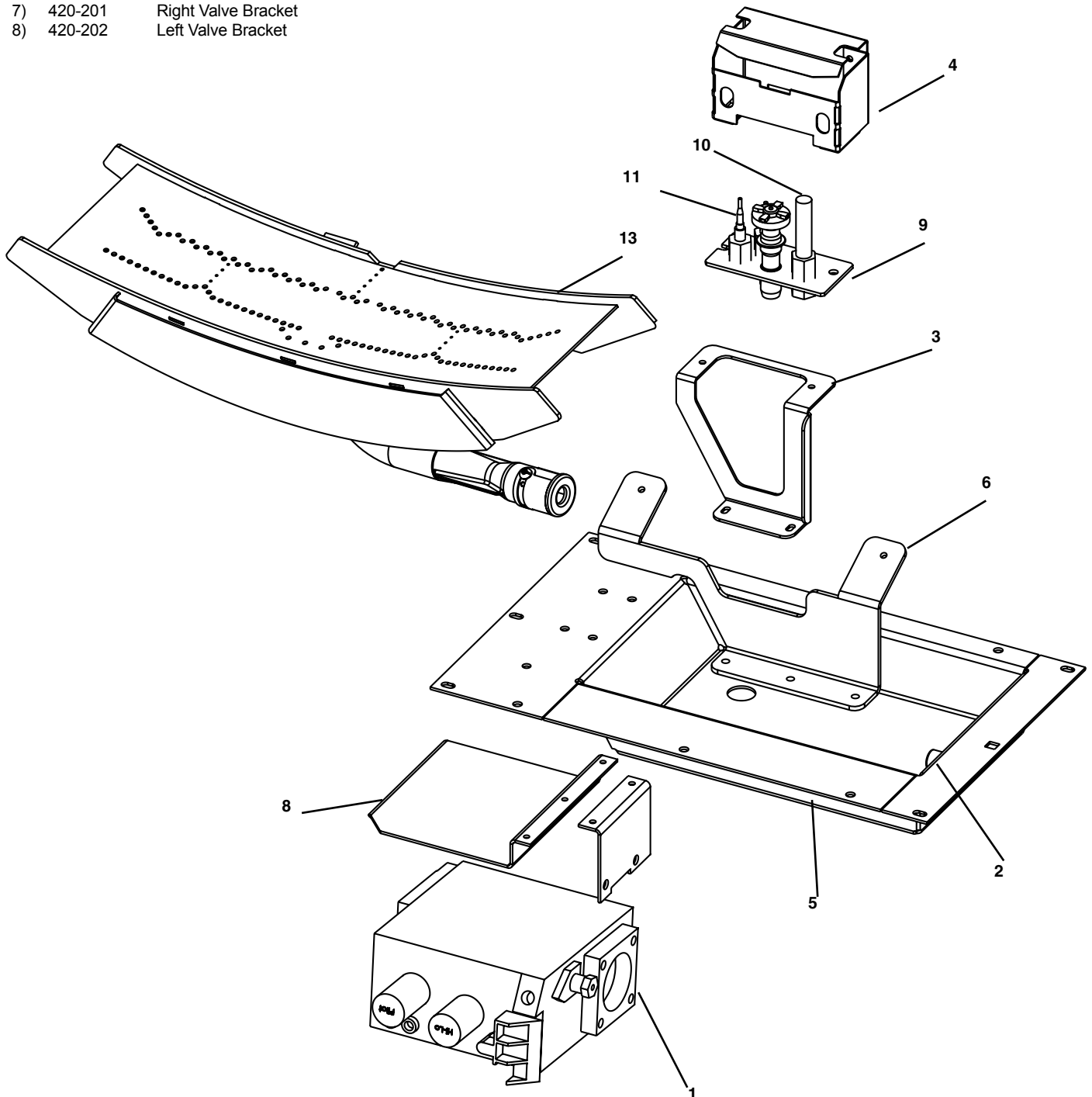
*Not available as a replacement part.



BURNER ASSEMBLY

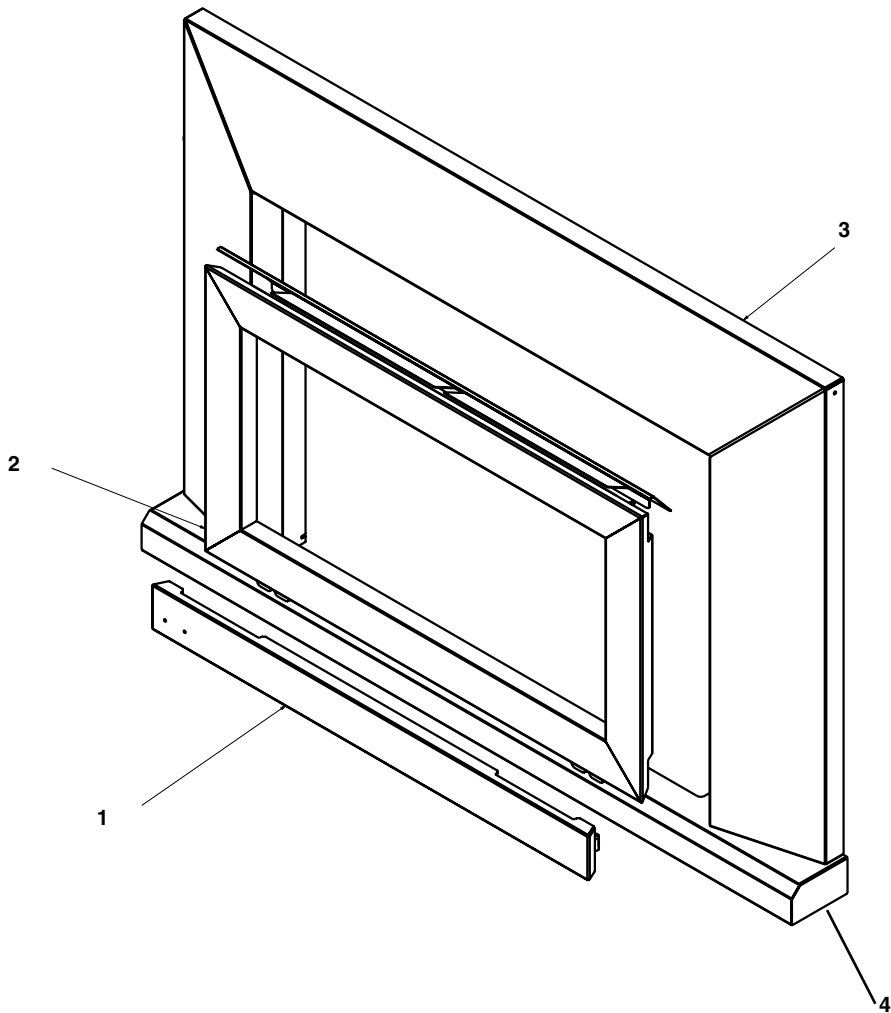
Part #	Description	Part #	Description
1) 910-568	Valve - SIT NG / LP	9) 910-038	Pilot Assembly 3 Flame - NG
2) 904-430	Burner Orifice Nat. Gas #42	910-039	Pilot Assembly 3 Flame - LP
904-163	Burner Orifice LP # 54	10) 910-341	Thermopile
3) 425-010	Pilot Holder	11) 910-336	Thermocouple
4) 434-031	Pilot Shield Hood	12) 910-030	Electrode (not shown)
5) 425-007	Valve Tray	13) 425-525	U32S Sunrise burner assembly
425-574/P	Valve Assembly NG		
425-576/P	Valve Assembly LP		
6) 425-008	Sunrise burner bracket		
7) 420-201	Right Valve Bracket		
8) 420-202	Left Valve Bracket		

*Not available as a replacement part.



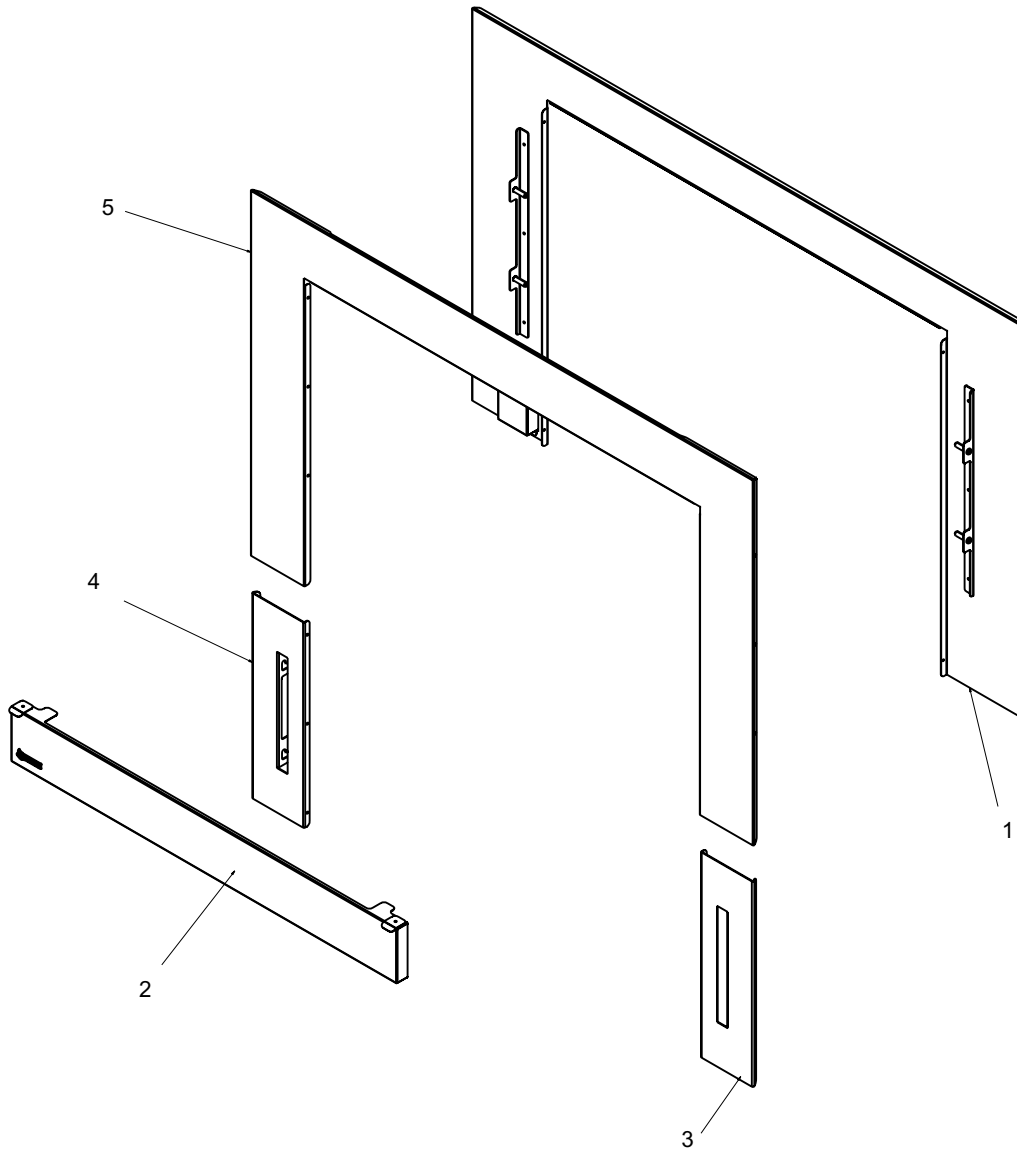
FACEPLATE AND DOOR FRAME

Part #	Description
1) 425-512	Door Bottom Assembly
2) 425-513	Frame Inside
3) 425-514	Faceplate Outside
4) 425-942	Hearth Trim



LOW PROFILE FACEPLATE

Part #	Description
1)	* Backplate Assembly
2)	* Bottom Louver
3)	* Right mounting bracket
4)	* Left mounting bracket
5)	* Front Frame





Regency® Fireplace Products are designed with reliability and simplicity in mind. In addition, our internal Quality Assurance Team carefully inspects each unit thoroughly before it leaves our facility. FPI Fireplace Products International Ltd. is pleased to extend this limited lifetime warranty to the original purchaser of a Regency® Product. This warranty is not transferable.

The Warranty: Limited Lifetime

The combustion chamber, heat exchanger, burner tubes/pans, logs, glass crystals, ceramic spa stones, pebbles, brick panels and gold plating (against defective manufacture only) are covered under the Limited Lifetime Warranty for five (5) years for parts and subsidized labour* and parts only thereafter.

Glass is covered for lifetime against thermal breakage only, parts and subsidized labour* for five (5) years and parts only thereafter from date of purchase.

External casting, surrounds and grills are covered against cracks and warps resulting from manufacturer defects, parts and subsidized labour* for three (3) years from the date of purchase and parts only thereafter.

Special Finishes - One year on stainless steel panels, nickel overlays, nickel faceplates, brushed nickel and antique copper full screens and doors. You can expect some changes in color as the product "ages" with constant heating and cooling. FPI warrants the product for any manufacturing defects on the original product. However, the manufacturers warranty does not cover changing colors and marks, ie. finger prints, etc applied after the purchase of the product. Damage from the use of abrasive cleaners is not covered by warranty.

Electrical and mechanical components such as blowers, switches, wiring, thermodiscs, FPI remote controls, spill switches, thermopiles, thermocouples, pilot assembly components, and gas valves are covered for two years parts and one year subsidized labour* from the date of purchase. Blowers and valves replaced under warranty are considered repairs and continue as if new with appliance. ie. twelve (12) months from original purchase date of appliance with a minimum of three (3) months coverage from date of replacement.

FPI venting components are covered parts and subsidized labour* for three (3) years from date of purchase.

Simpson Dura-Vent venting components (Direct Vent units) are covered by Simpson Dura-Vent Inc. warranty.

Repair/replacement parts purchased by the consumer from FPI after the original coverage has expired on the unit will carry a 90 day warranty, valid with a receipt only. Any item shown to be defective will be repaired or replaced at our discretion. No labor coverage is included with these parts.

Conditions:

Any part or parts of this unit which in our judgement show evidence of such defects will be repaired or replaced at FPI's option, through an accredited distributor or agent provided that the defective part be returned to the distributor or agent Transportation Prepaid, if requested.

Porcelain/Enamel - Absolute perfection is either guaranteed nor commercially possible. Any chips must be reported and inspected by an authorized dealer within three days of installation. Reported damage after this time will be subject to rejection.

It is the general practice of FPI to charge for larger, higher priced replacement parts and issue credit once the replaced component has been returned to FPI and evaluated for manufacturer defect.

The authorized selling dealer is responsible for all in-field service work carried out on your Regency® product. FPI will not be liable for results or costs of workmanship from unauthorized service persons or dealers.

At all times FPI reserves the right to inspect product in the field which is claimed to be defective.

All claims must be submitted to FPI by authorized selling dealers. It is essential that all submitted claims provide all of the necessary information including customer name, purchase date, serial #, type of unit, problem, and part or parts requested, without this information the warranty will be invalid.

Exclusions:

This limited Lifetime Warranty does not extend to or include paint, door or glass gasketing or trim.

At no time will FPI be liable for any consequential damages which exceed the purchase price of the unit. FPI has no obligation to enhance or modify any unit once manufactured. ie. as products evolve, field modifications or upgrades will not be performed.

FPI will not be liable for travel costs for service work.

Installation and environmental problems are not the responsibility of the manufacturer and therefore are not covered under the terms of this warranty policy.

Embers, rockwool, gaskets, door handles and paint are not covered under the terms of this warranty policy.

Any unit which shows signs of neglect or misuse is not covered under the terms of this warranty policy.

The warranty will not extend to any part which has been tampered with or altered in any way, or in our judgment has been subject to misuse, improper installation, negligence or accident, spillage or downdrafts caused by environmental or geographical conditions, inadequate ventilation, excessive offsets, negative air pressure caused by mechanical systems such as furnaces, fans, clothes dryer, etc.

Freight damage to stoves and replacement parts is not covered by warranty and is subject to a claim against the freight carrier by the dealer.

FPI will not be liable for acts of God, or acts of terrorism, which cause malfunction of the appliance.

Performance problems due to operator error will not be covered by this warranty policy.

Products made or provided by other manufacturers and used in conjunction with the operation of this appliance without prior authorization from FPI, may nullify your warranty on this product.

Any alteration to the unit which causes sooting or carboning that results in damage to the interior / exterior faceplate is not the responsibility of FPI.

* Subsidy according to job scale as predetermined by FPI.

Register your Regency® warranty online www.regency-fire.com

Reasons to register your product online today!

- View and modify a list of all your registered products.
- Request automatic email notification of new product updates.
- Stay informed about the current promotions, events, and special offers on related products.

Installer: Please complete the following information

Dealer Name & Address: _____

Installer: _____

Phone #: _____

Date Installed: _____

Serial No.: _____