



www.regency-fire.com

C33 Classic Freestanding Gas Stove

Owners & Installation Manual



Classic C33 model shown above features optional gold plated door and gold legs.

MODELS: C33-NG2 Natural Gas C33-LP2 Propane

WARNING:

If the information in these instructions are not followed exactly, a fire or explosion may result causing property damage, personal injury or loss of life.

FOR YOUR SAFETY

Do not store or use gasoline or other flammable vapors and liquids in the vicinity of this or any other appliance.

Installation and service must be performed by a qualified installer, service agency or the gas supplier.

FOR YOUR SAFETY

What to do if you smell gas:

- Do not try to light any appliance
- Do not touch any electrical switch: do not use any phone in your building.
- Immediately call your gas supplier from a neighbour's phone. Follow the gas supplier's instructions.
- If you cannot reach your gas supplier, call the fire department.

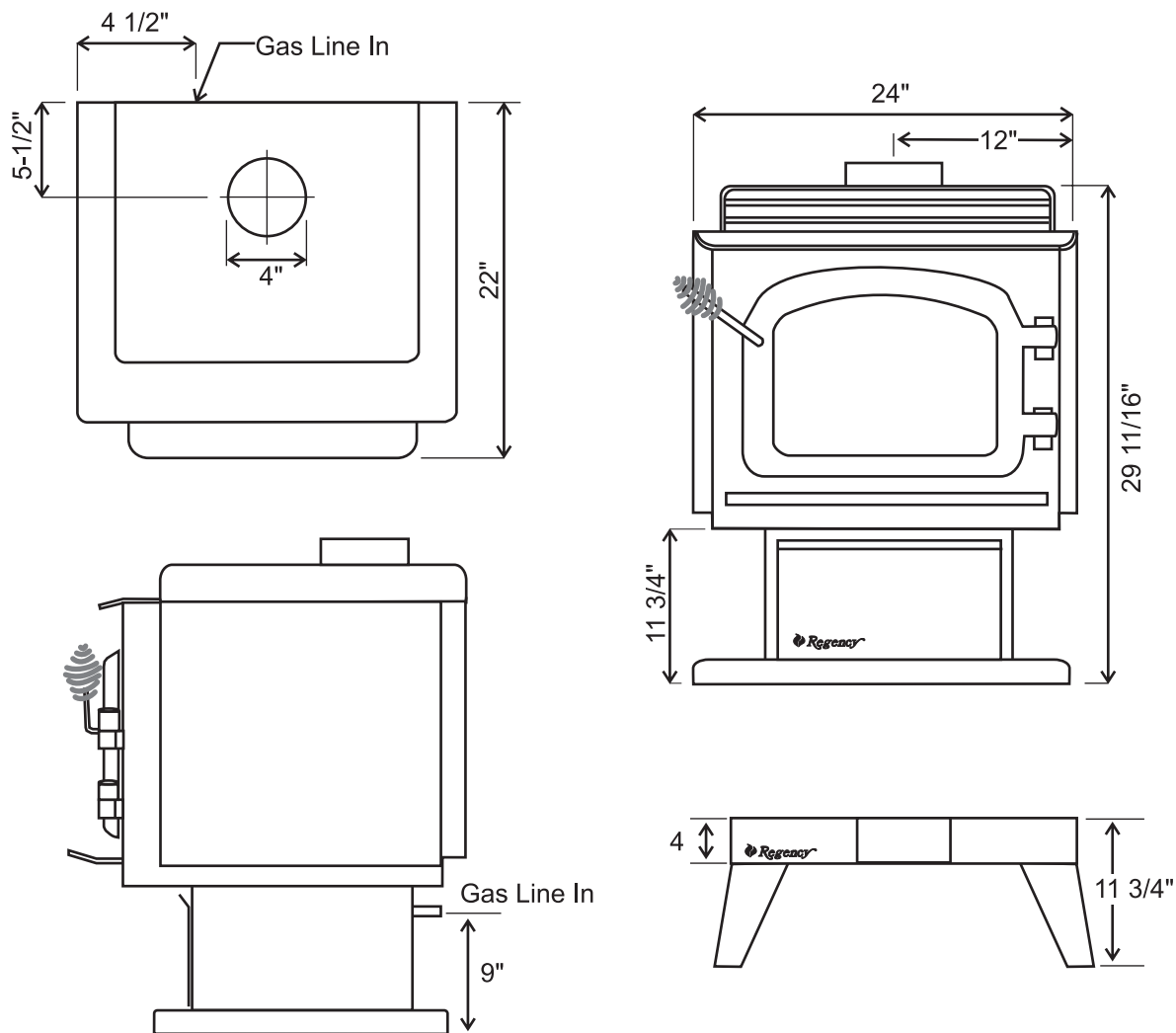
Tested by:



Installer: Please complete the details on the back cover and leave this manual with the homeowner.
Homeowner: Please keep these instructions for future reference.

To the New Owner:

Congratulations! You are the owner of a state-of-the-art Gas Stove by Fireplace Products International Ltd. The Regency Gas Series of hand crafted appliances has been designed to provide you with all the warmth and charm of a woodstove, at the flick of a switch. The models C33-NG2 and C33-LP2 have been approved by Warnock Hersey for both safety and efficiency. As it also bears our own mark, it promises to provide you with economy, comfort and security for many trouble free years to follow. Please take a moment now to acquaint yourself with these instructions and the many features of your CLASSIC Freestanding Gas Stove.



NATIONAL FIREPLACE INSTITUTE
NFI
CERTIFIED
www.nficertified.org

We recommend that our products be installed and serviced by professionals who are certified in the U.S. by the National Fireplace Institute® (NFI) or in Canada by Wood Energy Technical Training (WETT).

Wood Energy Technical Training
www.wettinc.ca

TABLE OF CONTENTS


	Page		Page
Safety Label		Operating Instructions	
Safety Label	4-5	Operating Instructions	14
		Lighting Procedure	14
		Shutdown Procedure	14
		Copy of Lighting Plate Instructions	15
Installation		Maintenance	
Before you start	6	Maintenance Instructions	14
General Safety Information	6	General Vent Maintenance	16
Installation Checklist	7	Thermopile/Thermocouple	16
Clearances to Combustibles	7	Aeration Adjustment	16
Optional Fan Installation	7	Pilot Adjustment	16
Pedestal Assembly	8	Log Replacement	17
Leg and Bottom Shield Assembly	9	Gold Plated Doors	17
Optional Outside Air	9	Glass Replacement	17
-Outside air through pedestal bottom	9	Removing Valve Assembly	18
-Outside air through pedestal rear	9	Installing Valve Assembly	18
Draft Hood	9		
Venting	9	Parts list	
-Venting requirements	9	Replacement & Spare Parts List	19
Gas Connection	10		
System Data Table	10	Warranty	
High Elevation	10	Warranty	23
Gas Pipe Pressure Testing	10		
Test for Flue Spillage	11		
Log Set Installation	11		
Safety Latch	12		
Door Handle	12		
Optional Remote Wall Switch	12		
Optional Remote Control Installation	12		
Optional Wall Thermostat	12		
Wiring Diagram	13		
Final Check	12		
Normal Operating Sounds of Gas Appliances	13		

SAFETY LABEL

This is a copy of the label that accompanies each CLASSIC Freestanding Gas Stove - **Natural Gas**. We have printed a copy of the contents here for your review. The safety label is located on the back panel.

NOTE: Regency units are constantly being improved. Check the label on the unit and if there is a difference, the label on the unit is the correct one.


Duplicate Serial No. **201**



REGENCY™
FIREPLACE PRODUCTS

FPI Fireplace Products International Ltd.
Delta, BC, Canada

Serial No. **201**



Listed: VENTED GAS FIREPLACE HEATER
Certified for: CANADA and USA
Report No. 476-1345-00 (Oct. 1996)

Tested to: ANSI Z21.88b-2003/CSA 2.33b-2003,
CAN/CGA-2.17-M91

FACTORY EQUIPPED FOR NATURAL GAS:
Model C33-NG2
Factory Equipped for 0-2000 ft.

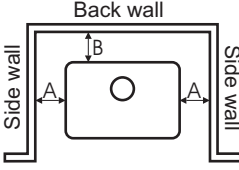
Minimum supply pressure	5" WC/C.E. (1.25Kpa)
Manifold pressure High	3.8" WC/C.E. (0.94Kpa)
Manifold pressure Low	1.1" WC/C.E. (0.27Kpa)
Orifice size	36 DMS
Altitude	0-2000 ft/pi (0-610 m)
Maximum Input	33,000 BTUH (9.67Kw/h)
Minimum Input	17,000 BTUH (4.98Kw/h)

HIGH ALTITUDE CONVERTED NATURAL GAS:
Model C33-NG2
Field Convertable for Altitude 2000-4500 ft.

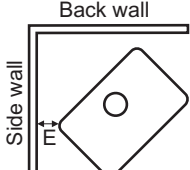
Minimum supply pressure	5" WC/C.E. (1.25Kpa)
Manifold pressure High	3.8" WC/C.E. (0.94Kpa)
Manifold pressure Low	1.1" WC/C.E. (0.27Kpa)
Orifice size	38 DMS
Altitude	2000-4500 ft/pi (610-1370m)
Maximum Input	29,000 BTUH (8.5Kw/h)
Minimum Input	15,300 BTUH (4.48Kw/h)

This appliance must be installed in accordance with local codes, if any; if none, follow the National Fuel Gas Code, ANSI Z223.1/NFPA 54, or Natural Gas and Propane Installation Codes, CSA B149.1.
FOR USE WITH GLASS DOORS CERTIFIED WITH APPLIANCE ONLY.
This vented gas fireplace heater is not for use with air filters.
Not for use with solid fuel.
Electrical Supply (115 V, 1.13A, 60 Hz)
Optional Fan: (Part #490-917)

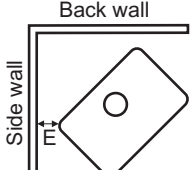
Minimum Clearances to Combustibles



A - 10"



B - 6"



E - 1.5"

Minimum ceiling height from top of unit: 36"/914mm

DO NOT REMOVE THIS LABEL

Made in Canada
908-634b

For the State of Massachusetts, installation and repair must be done by a plumber or gasfitter licensed in the Commonwealth of Massachusetts.



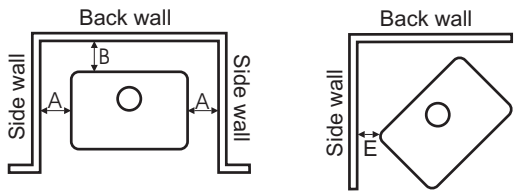
For the State of Massachusetts, flexible connectors shall not exceed 36 inches in length.

For the State of Massachusetts, the appliances individual manual shut-off must be a t-handle type valve.

SAFETY LABEL

This is a copy of the label that accompanies each CLASSIC Freestanding Gas Stove - **Propane**. We have printed a copy of the contents here for your review. The safety label is located on the back panel.

NOTE: Regency units are constantly being improved. Check the label on the unit and if there is a difference, the label on the unit is the correct one.

Duplicate Serial No. 200	
 <p>REGENCY™ FIREPLACE PRODUCTS</p> <p>FPI Fireplace Products International Ltd. Delta, BC, Canada</p>	
Serial No. 200	
<p>Listed: VENTED GAS FIREPLACE HEATER Certified for: CANADA and USA Report No. 476-1345-00 (Oct. 1996) Tested to: ANSI Z21.88b-2003/CSA 2.33b-2003</p>	
	
<p>FACTORY EQUIPPED FOR PROPANE: Model C33-LP2</p>	
Minimum supply pressure 12"	WC/C.E.(2.85Kpa)
Manifold pressure High 11"	WC/C.E.(2.61Kpa)
Manifold pressure Low 2.9"	WC/C.E.(0.72Kpa)
Orifice size 52	DMS
Altitude 0-2000 ft/pi	(0-610 m)
Maximum Input 33,000 BTUH	(9.67Kw/h)
Minimum Input 17,000 BTUH	(4.98Kw/h)
<p>This appliance must be installed in accordance with local codes, if any; if none, follow the National Fuel Gas Code, ANSI Z223.1/NFPA 54, or Natural Gas and Propane Installation Codes, CSA B149.1. FOR USE WITH GLASS DOORS CERTIFIED WITH APPLIANCE ONLY. This vented gas fireplace heater is not for use with air filters. Not for use with solid fuel. Electrical Supply (115 V, 1.13A, 60 Hz) Optional Fan: (Part #490-917)</p>	
<p>Minimum Clearances to Combustibles</p>  <p style="text-align: center;">A - 10" B - 6" E - 1.5"</p>	
<p>Minimum ceiling height from top of unit: 36"/914mm</p>	
<p>DO NOT REMOVE THIS LABEL</p>	
Made in Canada	908-635b

INSTALLATION

BEFORE YOU START

Safe installation and operation of this appliance requires common sense, however, we are required by the Canadian Safety Standards and ANSI Standards to make you aware of the following:

INSTALLATION AND REPAIR SHOULD BE DONE BY A QUALIFIED SERVICE PERSON. THE APPLIANCE SHOULD BE INSPECTED BEFORE USE AND AT LEAST ANNUALLY BY A PROFESSIONAL SERVICE PERSON. MORE FREQUENT CLEANING MAY BE REQUIRED DUE TO EXCESSIVE LINT FROM CARPETING, BEDDING MATERIAL, ETC. IT IS IMPERATIVE THAT CONTROL COMPARTMENTS, BURNERS AND CIRCULATING AIR PASSAGEWAYS OF THE APPLIANCE BE KEPT CLEAN.

DUE TO HIGH TEMPERATURES, THE APPLIANCE SHOULD BE LOCATED OUT OF TRAFFIC AND AWAY FROM FURNITURE AND DRAPERIES.

WARNING: FAILURE TO INSTALL THIS APPLIANCE CORRECTLY MAY CAUSE A SERIOUS HOUSE FIRE AND WILL VOID YOUR WARRANTY.

CHILDREN AND ADULTS SHOULD BE ALERTED TO THE HAZARDS OF HIGH SURFACE TEMPERATURES, ESPECIALLY THE FIREPLACE GLASS, AND SHOULD STAY AWAY TO AVOID BURNS OR CLOTHING IGNITION.

YOUNG CHILDREN SHOULD BE CAREFULLY SUPERVISED WHEN THEY ARE IN THE SAME ROOM AS THE APPLIANCE.

CLOTHING OR OTHER FLAMMABLE MATERIAL SHOULD NOT BE PLACED ON OR NEAR THE APPLIANCE.

IMPORTANT: SAVE THESE INSTRUCTIONS

The CLASSIC Freestanding Gas Stove must be installed in accordance with these instructions. Carefully read all the instructions in this manual first. Consult the "authority having jurisdiction" to determine the need for a permit prior to starting the installation.

GENERAL SAFETY INFORMATION

- 1) The appliance installation must conform with local codes or, in the absence of local codes, with the current Canadian or National Gas Codes, CAN1-B149 or ANSI Z223.1 Installation Codes.
- 2) The appliance when installed, must be electrically grounded in accordance with local codes, or in the absence of local codes with the current National Electrical Code, ANSI/NFPA 70 or CSA C22.1 Canadian Electrical Code.
- 3) This appliance is Listed for bedroom installations when used with a Listed Millivolt Thermostat. Some areas may have further requirements, check local codes before installation.
- 4) This appliance is Listed for Alcove installations, maintain minimum Alcove clearances as follows, minimum ceiling height of 65-11/16", minimum width of 48" and a maximum depth of 36".
- 5) This unit is not approved for installation into a mobile home.
- 6) See general construction and assembly instructions.
- 7) This appliance must be connected to a vent and terminate to the outside of the building envelope. Never vent to another room or inside a building.
- 8) Inspect the venting system annually for blockage and any signs of deterioration.
- 9) Any safety glass removed for servicing must be replaced prior to operating the appliance.
- 10) To prevent injury, do not allow anyone who is unfamiliar with the operation to use the fireplace.
- 11) Wear gloves and safety glasses for protection while doing required maintenance.

- 12) Under no circumstances should this appliance be modified. Parts that have to be removed for servicing should be replaced prior to operating this appliance.
- 13) Installation and any repairs to this appliance should be done by a qualified service person. A professional service person should be called to inspect this appliance annually. Make it a practice to have all of your gas appliances checked annually.
- 14) Do not strike the glass door.
- 15) Under no circumstances should any solid fuels (wood, paper, cardboard, coal, etc.) be used in this appliance.
- 16) The appliance area must be kept clear and free of combustible materials, (gases and other flammable vapours and liquids).

Emissions from burning wood or gas could contain chemicals known to the State of California to cause cancer, birth defects or other reproductive harm.

INSTALLATION CHECKLIST

- 1) Locate appliance, see Clearances to Combustibles, page 7.
- 2) Install Optional Fan, page 7.
- 3) Assemble stove base - pedestal or legs, pages 8 and 9.
- 4) If outside air is being used, see page 9.
- 5) Install venting, page 9.
- 6) Make gas and electrical connections, page 10. Test the pilot. Must be as per diagram, pages 16.
- 7) Test gas pressure, page 10.
- 8) Test for flue spillage, page 11.
- 9) Install log set, see page 11.
- 10) Install optional Wall Switch, Remote Control, or Wall Thermostat, page 12.
- 11) Final check, page 12.

Before leaving this unit with the customer, the installer must ensure that the appliance is firing correctly and operation fully explained to customer.

This includes:

- 1) Locking the appliance to ensure the correct firing rate (rate noted on label) after burning appliance for 15 minutes.

- 2) If required, adjusting the primary air to ensure that the flame does not carbon. First allow the unit to burn for 15-20 min. to stabilize.
- 3) Check for proper draft.

CAUTION: Any alteration to the product that causes sooting or carboning that results in damage is not the responsibility of the manufacturer.

CLEARANCES TO COMBUSTIBLES

The clearances listed below are MINIMUM distances. Measure the clearance to both the appliance and the chimney connector. The farthest distance is correct if the two clearances do not coincide. For example, if the appliance is set as indicated in one of the diagrams but the back wall is too close, move the stove until the correct clearance to the back wall is obtained.

This unit can be installed on a solid combustible surface like a wood floor. This unit can also be installed directly on carpeting or vinyl when the bottom pedestal cover plate (provided with the unit) is installed.

This appliance may be installed only with the clearances as shown in the situations pictured. Do not combine clearances from one type of installation with another in order to achieve closer clearances. Use the minimum clearances shown in the diagrams. Alcove installations are approved, as long as side wall clearances are maintained.

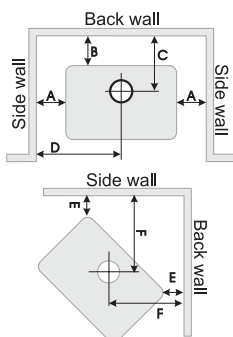
C33-2 Clearances to Combustibles

A	Side Wall to Unit	10" / 250 mm
B	Back Wall to Unit	6" / 150 mm
E	Side Wall to Unit	1.5" / 38 mm

C33-2 Reference Dimensions

		to Flue Centerline
C	Back Wall	11-1/2" / 292 mm
D	Side Wall	22" / 559 mm
F	Side Wall	13" / 330 mm

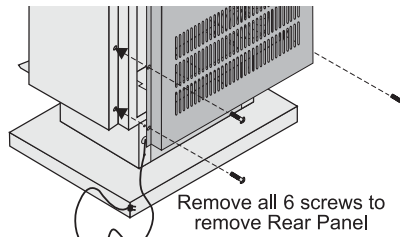
Minimum ceiling height is 36" / 914 mm from top of unit.



OPTIONAL FAN INSTALLATION

Important: Disconnect the power supply before installation or servicing.

For pedestal unit: To install the fan in an installed stove-access from front through the pedestal by following the directions below. If the stove is not installed - access through rear and follow steps 4 to 17.



For leg unit: remove 7 screws, remove bottom access panel and install fan assembly and follow steps 4 to 17.

- 1) Open pedestal door and remove door cover plate by removing 4 screws. See diagram 1.

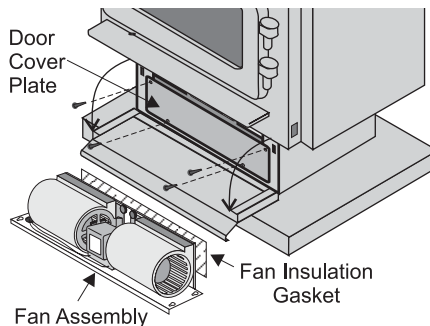


Diagram 1

- 2) Remove valve cover plate by removing 2 screws.
- 3) Remove wire from piezo ignitor.

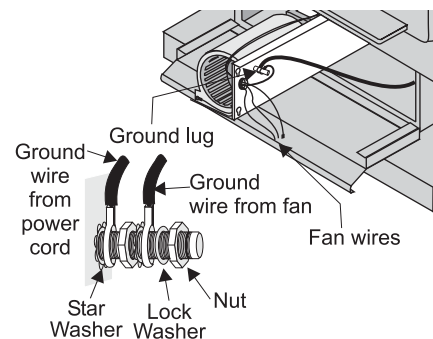


Diagram 2

- 4) Screw the four 8-32 x 3/4 screws provided into the nutserts as shown in diagram 3. Do not tighten screws.
- 5) Push all the fan wires through the hole on the fan assembly. See diagram 2
- 6) Put power cord (shown in diagram 3) through the hole and pull through to front of unit for easier installation of ground wire.
- 7) Place fan assembly partially in door cover plate hole. See diagram 2.
- 8) Attach the 2 ground wires (green) to the ground lug as per diagram 2.

Note: Ground lug is located on the bottom of the fan assembly. See diagram 2.

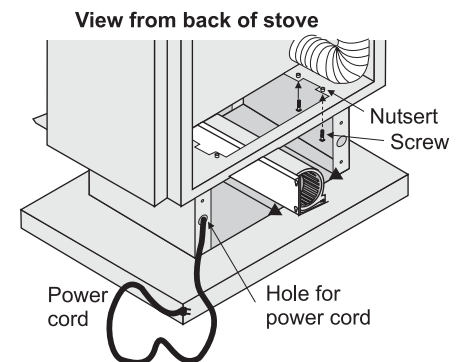


Diagram 3

- 9) Lift the fan assembly in through the pedestal and up through the cut out as shown in diagrams 3 and 4.
- 10) Put the insulation gasket on the back of the fan. Line up the keyhole slots with the matching screws and pull back slightly to lock into place. While holding fan assembly in place, tighten screws.

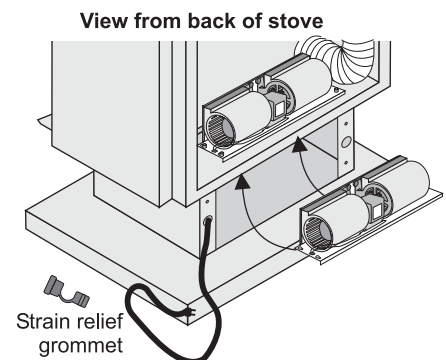
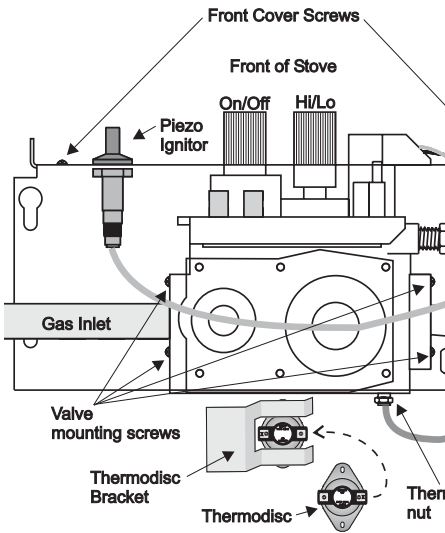


Diagram 4

INSTALLATION

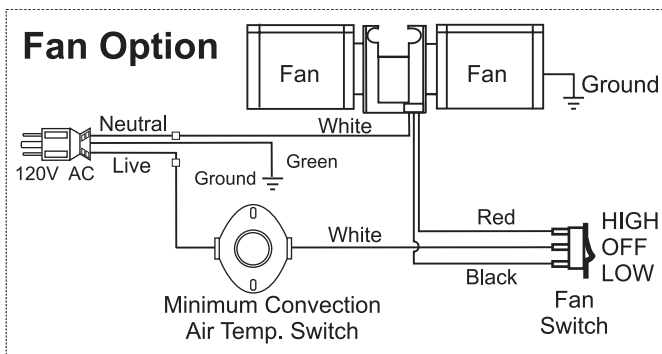
Wiring

- 11) Remove the dummy plug from the right side of the bottom shield or pedestal and install the supplied fan switch.
- 12) Attach hot wire from power cord to the thermodisc.
- 13) Slide the thermodisc under the bracket.



View from Bottom of Stove

- 14) Connecting wires to the 3 way switch -
 - a. Connect the red wire from the fan to the top of the 3 way switch.
 - b. Connect black wire from fan to the bottom of the 3 way switch.
 - c. Connect white jumper wire to middle of the three way switch. See wiring diagram below.
- 15) Connect white wire from fan motor to neutral on the power cord.



Wiring Diagram

- 16) Pull power wire back and put strain relief grommet in place as per diagram 4.
- 17) Reverse steps 3-1 to complete installation. Note: The #8 ground lug is a dedicated ground for mobile home use only.

Only C34 unit is approved for mobile homes.

Caution: Ensure that wires do NOT touch hot surfaces.

Fan Removal

- 1) Disconnect the power to fan.
- 2) Allow the stove to cool to room temperature.
- 3) Open the pedestal door and remove the screws on the door cover plate. Leg Units: Remove bottom access panel.
- 4) Loosen the nutsert screws.
- 5) Remove Fan Assembly from the key slots at the fan base. Take the fan out from the rectangular opening. Diagram 3.
- 6) Turn the fan around 90 degrees (Pedestal units only). Diagram 2.
- 7) Disconnect the green ground wires to the grounding lug.
- 8) Disconnect the white wire of the fan from the power cord.
- 9) Disconnect red wire and black wire (from fan to Fan Switch).
- 10) Take fan out from the stove body. Diagram 1.

PEDESTAL ASSEMBLY

- 1) For easier assembly, tip the stove on its back (preferably onto a soft surface to prevent scratching).
- 2) Unscrew the 4 bolts in the underside of the stove. Align the holes in the corners of the pedestal top with the corresponding holes in the base of the stove. Use washers which are supplied with the pedestal as shown in diagram. Reinstall bolts.

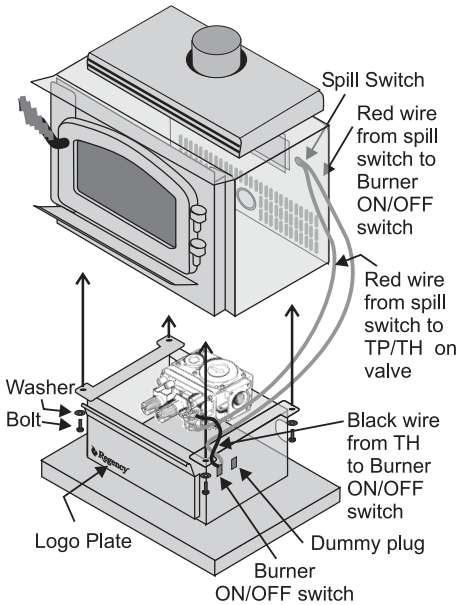


Diagram 1

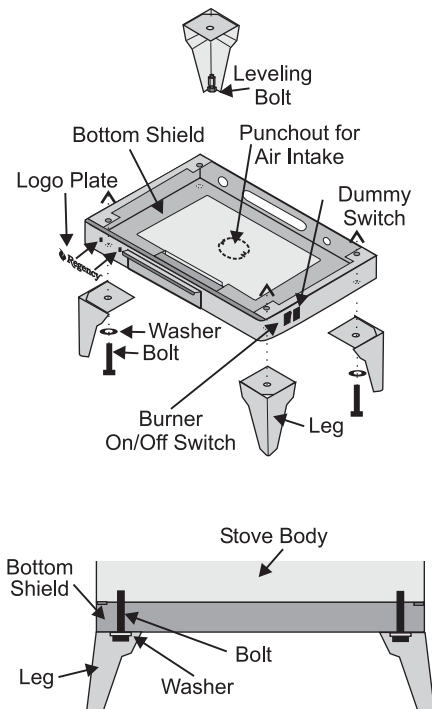
- 3) Hook up wires to Burner ON/OFF switch and valve assembly (be careful not to pinch wires). See Diagram 1.
- 4) Push the Regency logo into the two holes in the front bottom left corner of the pedestal cover plate.

Note: Any paint touch up should be done prior to placing logo on pedestal.

LEG AND BOTTOM SHIELD ASSEMBLY

These instructions apply to the steel leg, painted cast leg and the gold plated cast leg. It will be easier to attach the legs to the stove if it is tipped on its back (preferably on a soft surface to prevent scratching).

- 1) Remove the 4 bolts in the underside of the base and discard.
- 2) Put the bottom shield up against the bottom of the stove and loosely install the four supplied bolts and washers into the threaded holes in the four corners of the bottom the unit. Once the bolts are started, slip the leg under the washer and tighten the bolts.
- 3) Hook up wires to Burner ON/OFF switch and valve assembly as per pedestal assembly diagram (diagram 1).
- 4) Level the stove by adjusting the levelling bolts in the bottom of each leg.



OPTIONAL OUTSIDE AIR

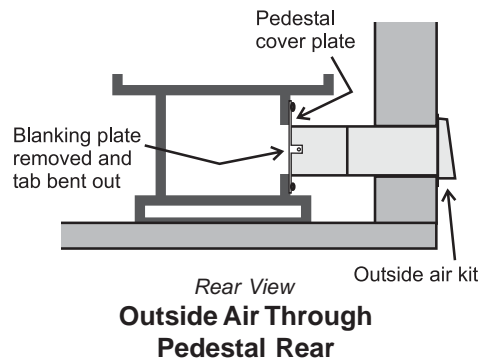
If needed, outside air for combustion can be brought in either through the bottom of the pedestal or through the rear plate of the pedestal.

The pedestal cover plate must be installed when using outside combustion air. Loosen the 4 screws on the rear of the pedestal and slide the cover plate over them. Slide the plate to the left to center it and tighten down the 4 screws.

Outside Air Through Pedestal Bottom

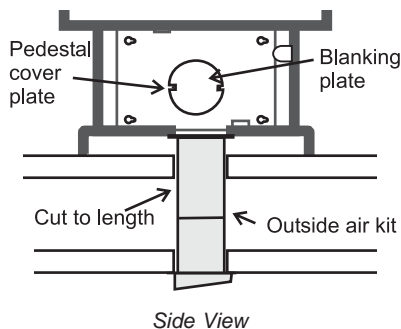
Once you have properly marked the position of your unit as outlined in "General Information" and "Clearances to Combustibles", cut a minimum 3 inch diameter hole through the floor directly under your pedestal base to the outside. Pipe fresh air into the pedestal area by using a minimum 3" duct pipe with a mesh grill at the outside termination.

Note: Blanking plate combustion air hole is 4" diameter.



Remove the blanking plate from the rear of the pedestal cover plate and bend the two tabs out 90 degrees. Pipe fresh air into the pedestal area by using a minimum 3" duct pipe with a mesh grill at the outside termination. Attach the pipe to the tabs with screws.

Note: The hole in the rear pedestal cover plate is 4" diameter.



IMPORTANT

Read all instructions carefully before starting the installation. Failure to follow these instructions may create a fire or other safety hazard, and will void the warranty. Be sure to check the venting and clearance to combustible requirements. Consult your local building codes before beginning installation.

DRAFT HOOD

The heater has a draft hood built into its back. It must not be altered or obstructed, and the unit must be installed so that the draft hood is in the same atmospheric pressure zone as the combustion air inlet to the burner.

VENTING

This heater is a vented appliance and must be connected to a chimney/flue in accordance with installation codes.

Note: The rear cover plate is only attached when outside air is being used. Do not install it when using room air for combustion.

For your safety this heater is equipped with a vent safety switch. This thermally actuated switch is located within the draft hood and will detect either a blocked chimney or backdraft condition where the chimney flow has reversed and will react by shutting off the gas supply.

Note: The spill switch is manually resettable and comes from the factory in the open position. Before trying to start up the unit, make sure the red button on the spill switch is pushed in.

Venting Requirements

Four inch diameter vent is required. B-Vent, Class A or Masonry with a liner are all acceptable. Follow all venting manufacturer's requirements and local building codes. For altitudes above 2000 ft. we recommend that a minimum flue height of 12 ft. is used.

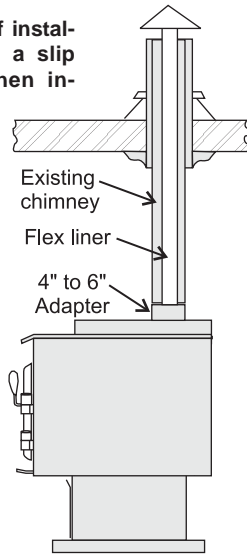
Note: Proper sizing of gas vents is critical to proper operation of all gas stoves and fireplaces. Ensure that proper sizing tables or vent manufacturers instructions are followed.

INSTALLATION

Installing into Existing Woodstove Flue System

- 1) Clean existing chimney system.
- 2) Install stove pipe adapter
- 3) Install any reducers that may be needed to fit 6" flue pipe adapter.
- 4) Run 4" flex liner into existing chimney.
- 5) Slip liner through 6" flue pipe and hook up to flue collar with screws.

Note: For ease of installation, use a slip section when installing with a vertical flue pipe.



GAS CONNECTION

The gas connection is a 3/8" NPT rigid pipe. The gas line can be rigid pipe or to make installation easier, use a listed flexible connector and/or copper pipe if allowed by local codes. For minimum and maximum supply pressure see the System Data table below.

Note: During any pressure testing of the gas supply piping system that exceeds test pressures of 1/2 psig, this appliance and its individual shut-off valve must be disconnected from the piping system. If test pressures equal to or less than 1/2 psig are used then this appliance must be isolated from the piping system by closing its individual manual shut-off valve during the testing.

Output capacity:

The efficiency rating of the appliance is a product thermal efficiency rating determined under continuous operating conditions and was determined independently of any installed system.

SYSTEM DATA (For 0 to 2,000 feet altitude)

Orifice Sizes:

Burner	Natural Gas	#36
Burner	Propane	#52

Max. Input Rating

Natural Gas	33,000 Btu/h
Propane	33,000 Btu/h

Min. Input Rating

Natural Gas	17,000 Btu/h
Propane	17,000 Btu/h

Output Capacity with blower Off

Natural Gas	23,200 Btu/h
Propane	23,100 Btu/h

Output Capacity with blower On

Natural Gas	24,600 Btu/h
Propane	24,420 Btu/h

Supply Pressure

Natural Gas	min.	5.0" w.c.
	max.	8.0" w.c.
Propane	min.	12.0" w.c.
	max.	13.0" w.c.

Manifold Pressure High

Natural Gas	3.8" +/- 0.2" w.c.
Propane	11" +/- 0.2" w.c.

Manifold Pressure Low

Natural Gas	1.1" +/- 0.2" w.c.
Propane	2.9" +/- 0.2" w.c.

Electrical: 120V, 1.13A, 60 Hz.
Circulation Fan: (optional) 2 speed
75/125 CFM.
Log Set: Ceramic fiber, 4 per set.

GAS PIPE PRESSURE TESTING

The appliance must be isolated from the gas supply piping system by closing its individual manual shut-off valve during any pressure testing of the gas supply piping system at test pressures equal to or less than 1/2 psig. (3.45 kPa). Disconnect piping from valve at pressures over 1/2 psig (14" w.c.).

The manifold pressure is controlled by a regulator built into the gas control, and should be checked at the pressure test point.

Note: To properly check gas pressure, both inlet and manifold pressures should be checked using the valve pressure ports on the valve.

- 1) Make sure the valve is in the "OFF" position.
- 2) Loosen the "IN" and/or "OUT" pressure tap(s), turning counterclockwise with a 1/8" wide flat screwdriver.
- 3) Attach manometer to "IN" and/or "OUT" pressure tap(s) using a 5/16" ID hose.
- 4) Light the pilot and turn the valve to "ON" position.
- 5) The pressure check should be carried out with the unit burning and the setting should be within the limits specified on the safety label.
- 6) When finished reading manometer, turn off the gas valve, disconnect the hose and tighten the screw (clockwise) with a 1/8" flat screwdriver. *Screw should be snug, but do not over tighten.*

HIGH ELEVATION

This unit is approved in Canada for altitude 0 to 4500 ft. (CAN1 2.17-M90) with the orifice supplied.

SYSTEM DATA (For 2,000 to 4,500 feet altitude)

Orifice Sizes:

Burner	Natural Gas	#38
---------------	-------------	-----

Max. Input Rating

Natural Gas	29,000 Btu/h
-------------	--------------

Min. Input Rating

Natural Gas	15,300 Btu/h
-------------	--------------

Output Capacity with blower Off

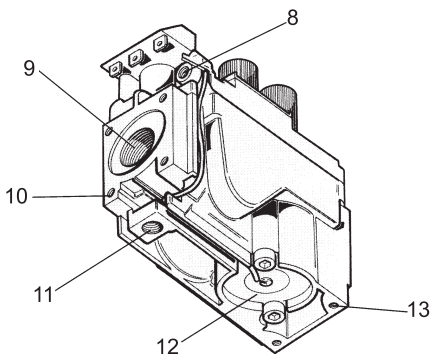
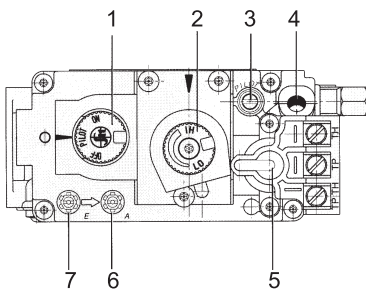
Natural Gas	20,400 Btu/h
-------------	--------------

Output Capacity with blower On

Natural Gas	21,600 Btu/h
-------------	--------------

Valve Description

- 1) Gas cock knob
- 2) Manual high/low adjustment
- 3) Pilot Adjustment
- 4) Thermocouple Connection
- 5) Main Operator
- 6) Outlet Pressure Tap
- 7) Inlet Pressure Tap
- 8) Pilot Outlet
- 9) Main Gas Outlet
- 10) Flange Securing Screw Holes
- 11) Alternative TC Connection Point
- 12) Thermoelectric Unit
- 13) Additional Valve Mounting Hole



TEST FOR FLUE SPILLAGE

This heater must be properly connected to a venting system.

WARNING: Operation of this heater when not connected to a properly installed and maintained venting system or tampering with the vent safety shutoff system can result in carbon monoxide (CO) poisoning and possible death.

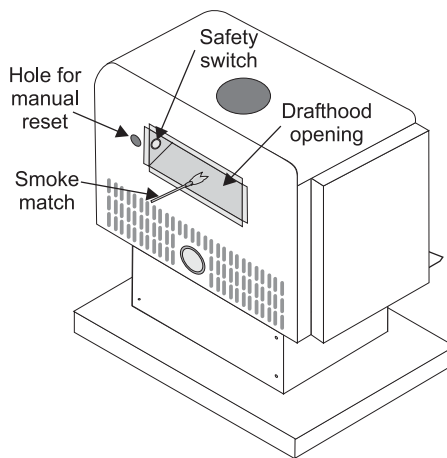
A "spillage" test must be made before the installed unit is left with the customer. Follow the procedure below:

- 1) Start all exhaust fans in the home and then close all doors and windows in the room.
- 2) Light the unit and set controls to maximum.
- 3) After five minutes, test that there is a "pull" on the flue by placing a smoke match, cigarette or similar device which gives off smoke, on the edge of the draft hood. See Diagram below.

The smoke should be drawn into the draft hood. If the smoke is still not drawn into the draft hood, turn the unit off and check for the cause of the lack of draft. If necessary, seek expert advice.

Note: If the flue is blocked or has a strong reverse flow, the thermally actuated safety switch mounted in the draft hood will automatically shut off the gas supply in less than 10 minutes. If the heater turns off because of this during the spillage test, check for the cause of the lack of draft and if necessary, seek expert advice.

To reset the thermally actuated safety switch, let the unit cool for 10 minutes, then press the red reset button on the back of the switch. See Diagram below.



LOG SET INSTALLATION

WARNING: Dangerous operating conditions may occur if these logs are not positioned in their approved locations. Read the instructions below carefully and refer to the diagrams. If logs are broken do not use the unit until they are replaced. Broken logs can interfere with the pilot and burner operation.

The gas log kit contains the following:

- a) Front Log
- b) Rear Log
- c) Small Cross Logs (2)
- d) Bag of embers
- e) Bag of rock wool

- 1) Remove the logs from the box and carefully unwrap them. **The logs are fragile, handle with care. Do not force into position.**
- 2) Place the rear deflector on the rear log support pins in the back of the unit.
- 3) Place the rear log into the rear of the firebox, aligning the holes on the underside of the log with the rear log support pins and carefully push the log down onto the pins. See diagrams 1 and 2.
- 4) Ensure the front deflector is over front log pins. See diagram 1.
- 5) Place the front log in the front of the unit, aligning the holes on the underside of the log with the log support pins in the front of the unit. Carefully push the log down onto the pins. See diagram 1.

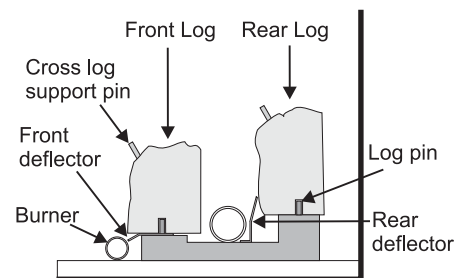


Diagram 1

- 6) Place the cross logs on top of the larger logs aligning the holes on the underside of the cross log with the log pins in the larger logs. See diagrams 1 & 2. Carefully push the cross logs onto the pins.

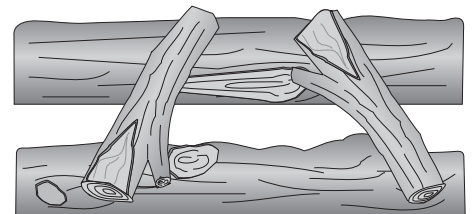


Diagram 2

- 7) Distribute the embers along the mesh ember tray, but do not cover the burner ports. (Burner ports are the little holes on the top of the burner tube.) Pull off ember size pieces from the rock wool. Gently place the pieces on top of the embers. See diagram 3.

INSTALLATION

Do not put the rock wool directly on the burner. Close the door and turn the unit on as per lighting instructions. Watch the flame to see if it flows smoothly around from one end to the other. (Use Extreme Caution and ensure proper light off of burner.)

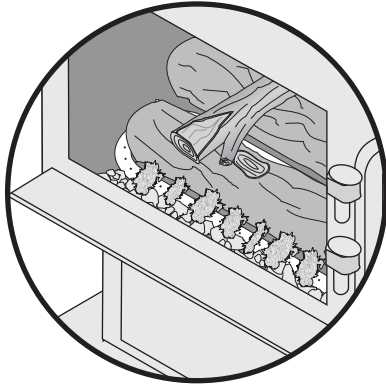


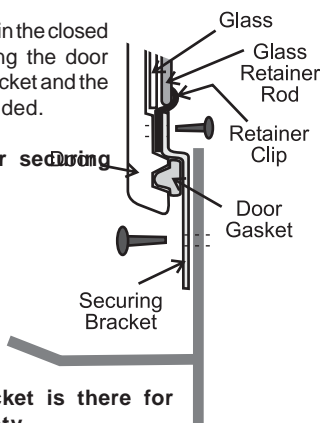
Diagram 3

- 8) If the flame hesitates at any point, check the area of hesitation and see if there is an ember or rock wool blocking a burner port or ports. If so, move the obstruction and then check the flame flow again.

SAFETY LATCH

Secure door in the closed position using the door securing bracket and the screw provided.

Note: Door securing

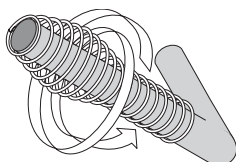


bracket is there for safety.

Note: The door must be kept closed at all times, except during maintenance. The unit must never be operated without the glass in the door, or with the door open.

DOOR HANDLE

Attach spring handle by rotating counter clockwise onto rod. Ensure that the spring fits into the entire length of the rod.



OPTION 1: REMOTE CONTROL INSTALLATION

Can be used with Options 2 or 3 but not both.

Use the Regency Remote Control Kit approved for this unit. Use of other systems may void your warranty.

The remote control kit comes with a hand held transmitter, a receiver and a wall mounting plate.

- 1) Choose a convenient location on the wall to install the receiver (**protection from extreme heat is very important**). Run wires from the fireplace to that location. Use the Thermostat Wire Table.

- 2) Connect the two wires to the gas valve. See diagram below.

CAUTION
Do not wire millivolt remote control wires to the 120V AC wires

- 3) Install 3 AAA alkaline batteries in transmitter and 4 AA alkaline batteries in the receiver. Install the receiver and its cover in the wall. Switch the remote receiver to "remote" mode. The remote control is now ready for operation.

OPTION 2: REMOTE WALL SWITCH

Can be used with Options 1 or 3 but not both.

- 1) Run the wire through the opening in the rear of the unit. Be careful not to damage any wires.

Note: We recommend a maximum of 15' of wire but if you wish to go with a longer run use the Thermostat Wire Table.

- 2) Connect the wire to the wall switch and install into receptacle box.

CAUTION
Do not wire millivolt wall switch for gas appliance to the 120V AC wires

OPTION 3: WALL THERMOSTAT INSTALLATION

Can be used with Options 1 or 2 but not both.

Regency offers an optional programmable thermostat but any 250-750 millivolt rated non-anticipator type thermostat that is CSA, ULC or UL approved may be used.

Connect the wires as per the wiring diagram. Use the Thermostat Wire Table to determine the maximum wire length.

CAUTION
Do not wire millivolt wall thermostat wires to the 120V AC wires

Note: Preferable if the thermostat is installed on an interior wall.

Thermostat Wire Table

Recommended Maximum Lead Length (Two-Wire) When Using Wall Thermostat (CP-2 System)	
Wire Size	Max. Length
14 GA.	50 Ft.
16 GA.	32 Ft.
18 GA.	20 Ft.
20 GA.	12 Ft.
22 GA.	9 Ft.

FINAL CHECK

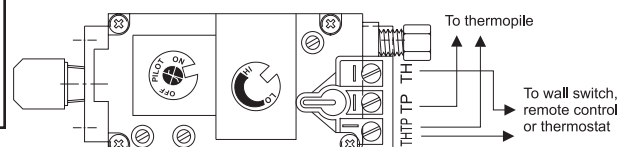
Before leaving this unit with the customer, the installer must ensure that the appliance is firing correctly. This includes:

- 1) Locking the appliance to ensure the correct firing rate (rate noted on label) after 15 minutes.

- 2) If required, adjusting the primary air to ensure that the flame does not carbon. First allow the unit to burn for 15 min. to stabilize.

- 3) Check for proper draft.

CAUTION: Any alteration to the product that causes sooting or carboning that results in damage to the unit is not the responsibility of the manufacturer and will not be covered by the warranty.

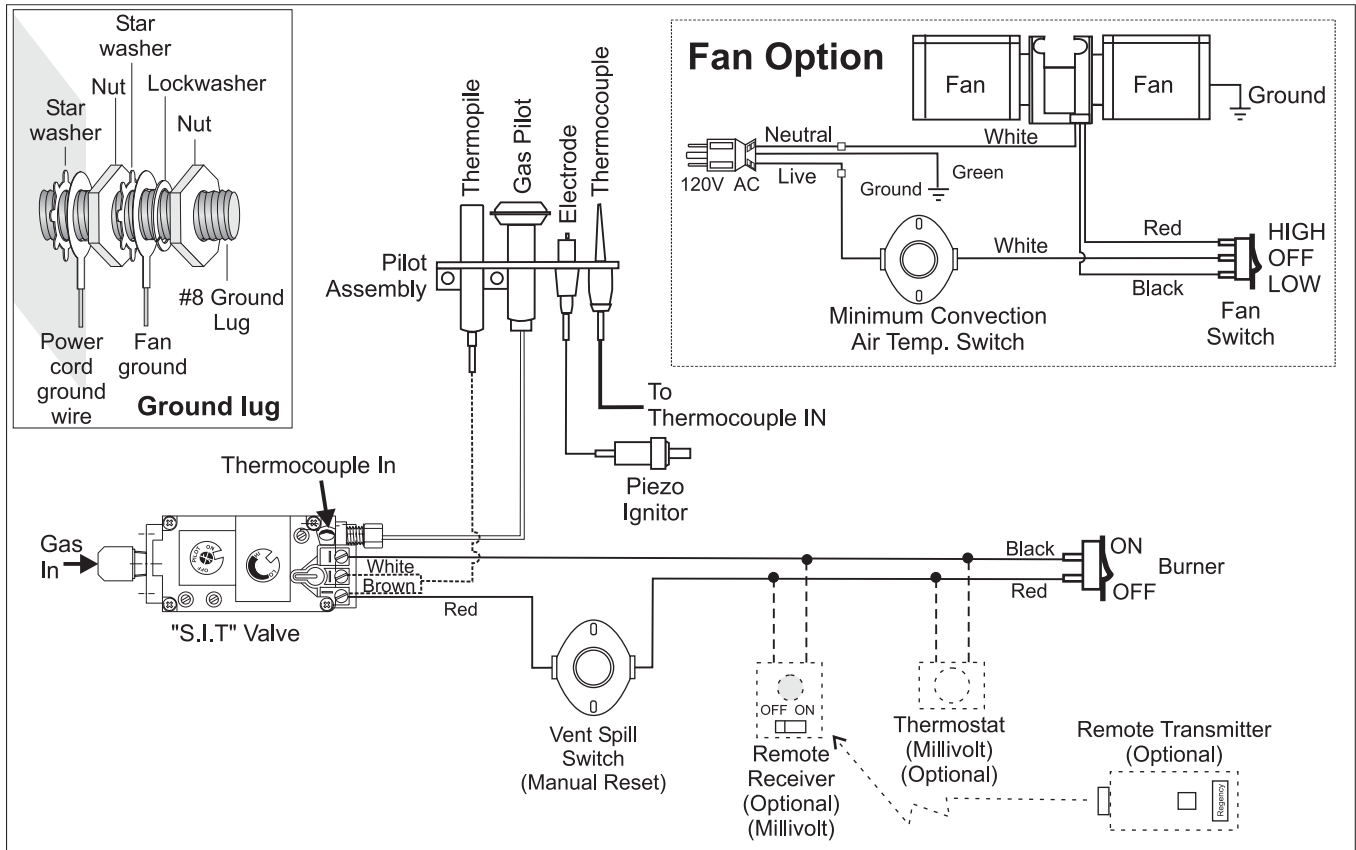


WIRING DIAGRAM

This heater does not require a 120V A.C. supply for operation. In case of a power failure, the burner switch and the optional remote control/thermostat will continue to operate. However, a 120V A.C. power supply is needed for the fan/blower operation.

Caution: Ensure that the wires do not touch any hot surfaces and are away from sharp edges.

CAUTION: Label all wires prior to disconnection when servicing controls. Wiring errors can cause improper and dangerous operation.



WARNING: Electrical Grounding Instructions

This appliance is equipped with a three pronged (grounding) plug for your protection against shock hazard and should be plugged directly into a properly grounded three-prong receptacle. Do not cut or remove the grounding prong from this plug.

NORMAL OPERATING SOUNDS OF GAS APPLIANCES

It is possible that you will hear some sounds from your gas appliance. This is perfectly normal due to the fact that there are various gauges and types of steel used within your appliance. Listed below are some examples. All are **normal operating sounds** and should not be considered as defects in your appliance.

Blower:

Regency gas appliances use high tech blowers to push heated air farther into the room. It is not unusual for the fan to make a "whirring" sound when ON. This sound will increase or decrease in volume depending on the speed setting of your fan speed control.

Burner Tray:

The burner tray is positioned directly under the burner tube(s) and logs and is made of a different gauge material from the rest of the firebox and body. Therefore, the varying thicknesses of steel will expand and contract at slightly different rates which can cause "ticking" and "cracking" sounds. You should also be aware that as there are temperature changes within the unit these sounds will likely re-occur. Again, this is normal for steel fireboxes.

Blower Thermodisc:

When this thermally activated switch turns ON it will create a small "clicking" sound. This is the switch contacts closing and is normal.

Pilot Flame:

While the pilot flame is on it can make a very slight "whisper" sound.

Gas Control Valve:

As the gas control valve turns ON and OFF, a dull clicking sound may be audible, this is normal operation of a gas regulator or valve.

Unit Body/Firebox:

Different types and thicknesses of steel will expand and contract at different rates resulting in some "cracking" and "ticking" sounds will be heard throughout the cycling process.

OPERATING INSTRUCTIONS

OPERATING INSTRUCTIONS

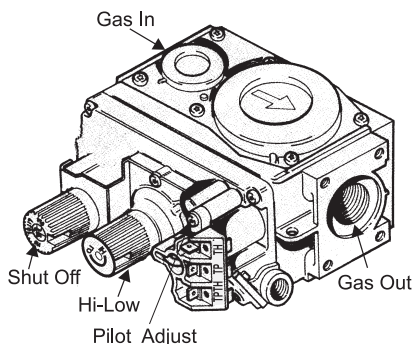
- 1) The **FIRST FIRE** in your stove is part of the paint curing process. To ensure that the paint is properly cured, it is recommended that you burn your fireplace for at least four (4) hours the first time you use it with the fan on. When first operated, the unit will release an odour caused by the curing of the paint and the burning off of any oils remaining from manufacturing. Smoke detectors in the house may go off at this time. Open a few windows to ventilate the room for a couple of hours. The glass panel may require cleaning.

Do Not Attempt To Clean The Glass While it is still hot!

Note: When the glass is cold and the appliance is lit, it may cause condensation and fog the glass. This condensation is normal and will disappear in a few minutes as the glass heats up.

DO NOT BURN THE APPLIANCE WITHOUT THE GLASS FRONT IN PLACE.

- 2) Read and understand these instructions before operating this appliance.
- 3) Check to see that all wiring is correct and enclosed to prevent possible shock.
- 4) Check to ensure there are no gas leaks.
- 5) Make sure the glass in the door frame is properly positioned. Never operate the appliance with the glass removed.
- 6) Verify that the venting is unobstructed.
- 7) Verify log placement. If the pilot cannot be seen when lighting the unit - the logs have been incorrectly positioned.
- 8) The unit should never be turned off, and on again without a minimum of a 60 second wait for purging.



LIGHTING PROCEDURE

IMPORTANT: Gas cock knob cannot be turned from "PILOT" to "OFF" unless it is partially depressed.

- 1) Turn burner OFF using "ON/OFF" switch.
- 2) Turn gas control knob so indicator points to "OFF" position and allow 5 minutes for any gas in the combustion chamber to escape.
- 3) Turn gas control knob counterclockwise so indicator points to the "PILOT" position. Depress the gas control knob fully. Depress the igniter button several times until the pilot lights. After approximately one minute, release the gas control knob. The pilot flame should continue to burn. If the pilot does not remain lit, repeat operation allowing a longer period before releasing gas control knob.
- 4) When the pilot stays lit, turn the gas knob further counterclockwise to the "ON" position.
- 5) Use the ON/OFF switch, wall switch, thermostat or remote control to turn on the unit.
- 6) Rotate the flame height regulator (Hi/Lo) to adjust the flame height higher or lower.

SHUTDOWN PROCEDURE

- 1) Use the "ON/OFF" switch, wall switch, thermostat or remote control to turn off the burner.
- 2) Push in the PILOT knob slightly and turn clockwise to "OFF". Do not force.
- 3) Turn off all electric power to the appliance if service is to be performed.

MAINTENANCE INSTRUCTIONS

- 1) Always turn off the gas valve before cleaning. For relighting, refer to lighting instructions. Keep the burner and control compartment clean by brushing and vacuuming at least once a year.

When cleaning the logs, use a soft clean brush as the logs are fragile and easily damaged.

- 2) Clean appliance and door with a damp cloth (never when unit is hot). Never use an abrasive cleaner. The glass should be cleaned with a gas fireplace glass cleaner (when it starts to cloud up).
- 3) The heater is finished in a heat resistant paint and should only be refinished with heat resistant paint. Regency uses Stove Brite Paint - Metallic Black #6309.
- 4) Make a periodic check of burner for proper position and condition. Visually check the flame of the burner periodically, making sure the flames are steady; not lifting or floating. If there is a problem, call a qualified service person.
- 5) The appliance and venting system must be inspected before use, and at least annually, by a qualified field service person, to ensure that the flow of combustion and ventilation air is not obstructed.

During the annual service call, the burners should be removed from the burner tray and cleaned. Replace the embers and rock wool.

- 6) Each time the appliance is lit, it may cause condensation and fog the glass. This condensation is normal and will disappear in a few minutes as the glass heats up.
- 7) Caution: Label all wires prior to disconnection when servicing controls. Wiring errors can cause improper and dangerous operation. Verify proper operation after servicing.

WARNING: CHILDREN AND ADULTS SHOULD BE ALERTED TO THE HAZARDS OF HIGH SURFACE TEMPERATURES AND SHOULD STAY AWAY TO AVOID BURNS OR CLOTHING IGNITION. YOUNG CHILDREN SHOULD BE CAREFULLY SUPERVISED WHEN THEY ARE IN THE SAME ROOM AS THE APPLIANCE.

COPY OF THE LIGHTING PLATE INSTRUCTIONS

FOR YOUR SAFETY READ BEFORE LIGHTING

This appliance must be installed in accordance with local codes, if any; if none, follow the National Fuel Gas Code, ANSI Z223.1/NFPA 54, or Natural Gas and Propane Installation Codes, CSA B149.1. (Australia: AG601, New Zealand: NZS 5261)

WARNING: If you do not follow these instructions exactly, a fire or explosion may result causing property damage, personal injury or loss of life. Improper installation, adjustment, alteration, service or maintenance can cause injury or property damage. Refer to the owner's information manual provided with this appliance. For assistance or additional information consult a qualified installer, service agency or gas supplier.

A) This appliance has a pilot which must be lighted by hand, following the instructions below exactly.

B) BEFORE LIGHTING smell all around the appliance area for gas. Be sure to smell next to the floor because some gas is heavier than air and will settle on the floor.

WHAT TO DO IF YOU SMELL GAS

- Do not try to light any appliance
- Do not touch any electric switch, do not use any phone in your building
- Immediately call your gas supplier from a neighbors phone. Follow the gas supplier's instructions.
- If you cannot reach your gas supplier, call the fire department.

C) Use only your hand to push in or turn the gas control knob. Never use tools. If the knob will not push in or turn by hand, don't try to repair it, call

a qualified service technician. Force or attempted repair may result in a fire or explosion.



D) Do not use this appliance if any part has been under water. Immediately call a qualified service technician to inspect the appliance and to replace any part of the control system and any gas control which has been under water.

This appliance needs fresh air for safe operation and must be installed so there are provisions for adequate combustion and ventilation air.

CAUTION: Hot while in operation. Do not touch. Severe Burns may result. Due to high surface temperatures keep children, clothing and furniture, gasoline and other liquids having flammable vapors away. Keep burner and control compartment clean. See installation and operating instructions accompanying appliance.

LIGHTING INSTRUCTIONS

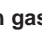
STOP! Read the safety information above on this label.

- 1) Push in gas control knob slightly and turn clockwise  to "OFF". Knob cannot be turned from "PILOT" to "OFF" unless knob is pushed in slightly. Do not force.
- 2) Wait five (5) minutes to clear out any gas. If you then smell gas **STOP!** follow "B" in the safety information above on this label. If you don't smell gas, go to the next step.
- 3) Turn knob on gas control counterclockwise to "PILOT". 
- 4) Push in control knob all the way and hold in. Immediately push black button on spark igniter until pilot lights. Continue to hold the control knob in for about 1/2 minute after the pilot is lit.

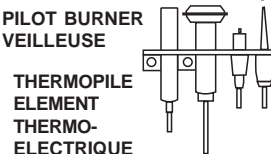
Release knob and it will pop back up. Pilot should remain lit. If it goes out, repeat steps 3) and 4).

If knob does not pop up when released, stop and immediately call your service technician or gas supplier.

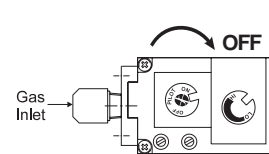
If the pilot will not stay lit after several tries, turn the gas control knob to "OFF" and call your service technician or gas supplier.

- 5) Turn gas control knob counterclockwise  to "ON".
- 6) Use rocker switch to operate main burner.


PILOT BURNER
VEILLEUSE



THERMOPILE
ELEMENT
THERMO-
ELECTRIQUE



TO TURN OFF GAS APPLIANCE

- 1) Push in the gas control knob slightly and turn clockwise  to "OFF". Do not force.
- 2) Turn off all electric power to the appliance if service is to be performed.

You may shut off the pilot during prolonged non use periods to conserve fuel.

DO NOT REMOVE THIS INSTRUCTION PLATE

908-649b

MAINTENANCE

CAUTION: ANY SAFETY SCREEN OR GUARD REMOVED FOR SERVICING AN APPLIANCE MUST BE REPLACED PRIOR TO OPERATING THE APPLIANCE.

CLOTHING OR OTHER FLAMMABLE MATERIAL SHOULD NOT BE PLACED ON OR NEAR THE APPLIANCE.

NEVER OPERATE THE APPLIANCE WITHOUT THE GLASS PROPERLY SECURED IN PLACE.

GENERAL VENT MAINTENANCE

Conduct an inspection of the venting system at least annually. Recommended areas to inspect are:

- 1) Check areas of the Venting System which are exposed to the elements for corrosion. These will appear as rust spots or streaks, and in extreme cases, holes. These components should be replaced immediately.
- 2) Remove the Cap, and shine a flashlight down the Vent. Remove any birds nests, or other foreign material.
- 3) Check for evidence of excessive condensation, such as water droplets forming in the liner, and subsequently dripping out the joints. Continuous condensation can cause corrosion of caps, pipe, and fittings. It may be caused by having excessive lateral runs, too many elbows, or exterior portions of the system being exposed to cold weather.
- 4) Inspect joints, to verify that no pipe sections or fittings have been disturbed, and consequently loosened. Also check mechanical supports such as Wall Straps for rigidity.

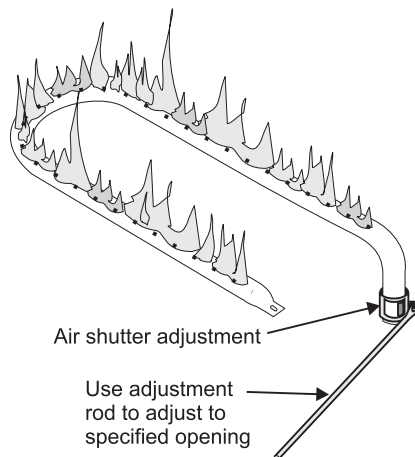
THERMOPILE/ THERMOCOUPLE

- 1) Loosen the thermocouple or thermopile with a 7/16" wrench at bracket.
- 2) Disconnect thermocouple by loosening nut from the valve with a 9mm wrench. Disconnect thermopile by loosening 2 screws marked TP on the valve.
- 3) Drop the thermocouple or thermopile down from the bracket and pull it out of the unit.
- 4) Reinstall the new ones in reverse order.

AERATION ADJUSTMENT

The aeration adjustment rod is attached to the air shutter on the burner. The air shutter adjustment rod is located under the ashlip on the right side. The rod is used to adjust the aeration on the burner. This adjustment is performed by the installer and is primarily used in installations at high elevations. Push the rod in for a yellow flame, or pull out on the rod for a bluer flame.

Air shutter opening:
Natural Gas 7/16"
Propane Wide open



Closed - Tall Yellow flame
Open - Short Blue flame

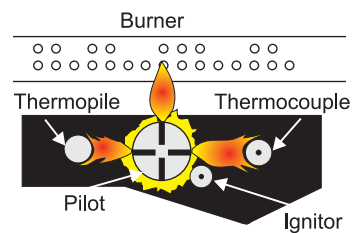
Caution: Carbon will be produced if air shutter is closed too much.

Note: Aeration Adjustment should only be performed by an authorized Regency Installer at the time of installation or service.

PILOT ADJUSTMENT

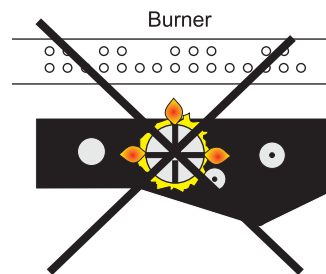
Periodically check the pilot flames. Correct flame pattern has three strong blue flames: 1 flowing around the thermopile, 1 around the thermocouple and 1 flowing across the burner (it does not have to be touching the burner).

Note: If you have an incorrect flame pattern, contact your Regency dealer for further instructions.



Top View of pilot flame

Incorrect flame pattern will have small, probably yellow flames, not coming into proper contact with the rear burner or thermopile or thermocouple.



Top View of pilot flame

LOG REPLACEMENT

The unit should never be used with broken logs. Turn off the gas valve and allow the unit to cool before opening door to carefully remove the logs. The pilot light generates enough heat to burn someone.

If for any reason a log should need replacement, use only Regency replacement logs. The position of these logs must be as shown in the diagram under Log Installation.

NOTE: Improper positioning of logs may create carbon build-up and will alter the unit's performance which is not covered under warranty.

GOLD-PLATED DOORS

The 24 carat gold plated finish on the door requires little maintenance, and need only be cleaned with a damp cloth. DO NOT use abrasive materials or chemical cleaners, as they may harm the finish and void the warranty. **Clean any fingerprints off before turning the unit on.**

GLASS REPLACEMENT

Your CLASSIC stove is supplied with high temperature, 5 mm Neoceram ceramic glass that will withstand the highest heat that your unit will produce. In the event that you break your glass by impact, purchase your replacement glass from an authorized Regency dealer only, and follow our step-by-step instructions for replacement.

- 1) Allow the stove to cool before removing or replacing glass.
- 2) To remove the door from the stove remove the securing screw located between the ashtray and the door, then unfasten the latch.
- 3) Remove gold hinge caps from door.
- 4) Lift door off hinge.
- 5) Lay door on a soft, flat surface.
- 6) Remove the screws in the glass retainer clips and remove the glass retainer rod. Remove any remaining pieces of glass and ensure that the door is free of debris. Use caution when removing broken glass to avoid injury.

7) Install the replacement glass. When placing the replacement glass in the door, make sure that the glass gasketing will properly seal your unit.

8) Put glass in place and then position glass retainer rod.

Note: Do not use substitute materials. If your glass does break, do not continue to use your unit until it has been replaced.

9) Position the glass retainer clips and door securing bracket. Secure the glass retaining screws but do not overtighten as this may cause the glass to break after the unit heats up.

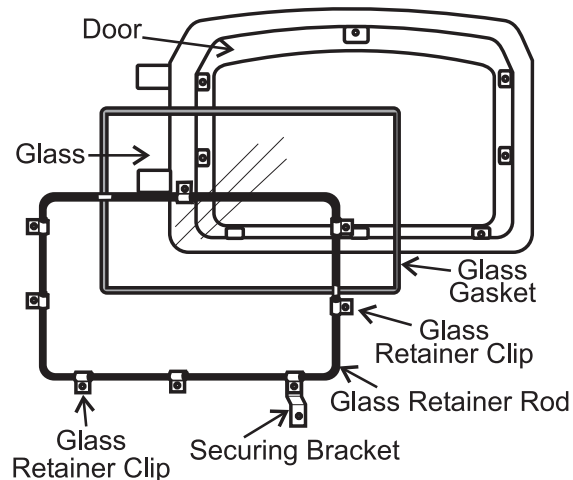
10) Tighten all screws evenly.

Note: Do not overtighten as this may cause breakage.

11) Slip door over hinge pins.

12) Put hinge caps back onto door.

13) Close door and secure the security bracket with the screw.



MAINTENANCE

REMOVING VALVE ASSEMBLY

- 1) Shut off gas supply.
- 2) If optional fan is installed, disconnect power source to stove.
- 3) Remove access panel.
 - a) Front panel on pedestal model. See diagram 1.
 - b) Panel from bottom of leg shield. See diagram 2.

Note: Access panel only has to be loosened to be taken out.

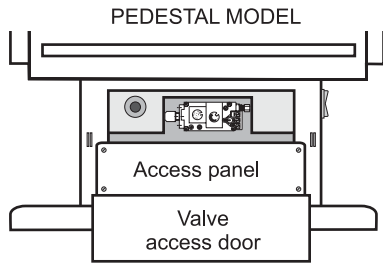


Diagram 1

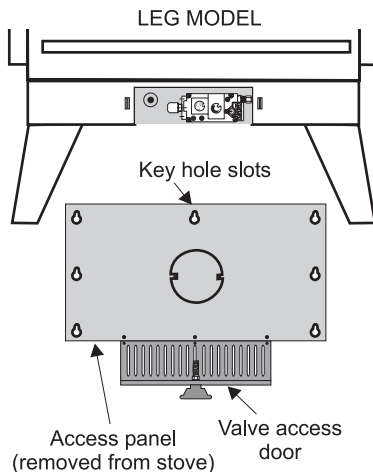
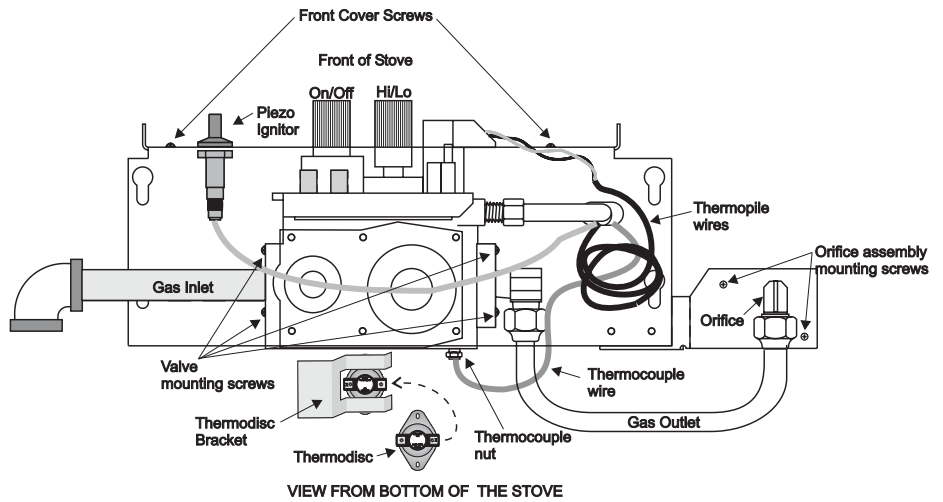


Diagram 2

- 4) Disconnect gas line to stove.
- 5) Disconnect 3/8" NPT pipe from 90° elbow on valve.
- 6) Disconnect the two (2) switch wires from valve.
- 7) Remove two (2) orifice bracket screws inside firebox.



- 8) If optional fan is installed, remove thermodisc to bracket by removing three (3) phillips head M5 screws.
- 9) Remove front cover with Piezo Igniter by removing two (2) sheet metal screws.
- 10) Loosen four (4) phillips head M5 valve mounting screws from underside of firebox. Push valve assembly forward on the teardrop slots and drop down. Diagram 3.

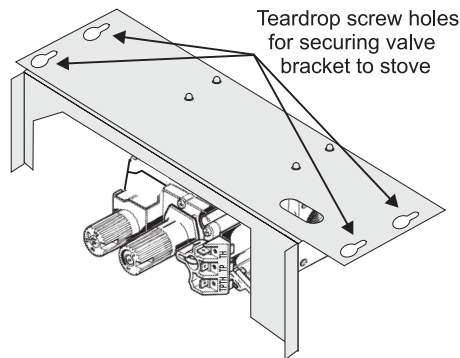


Diagram 3

- 11) Disconnect Piezo wire.

To remove valve from valve assembly, continue.

- 12) Remove two (2) thermopile wires.
- 13) Remove thermocouple with a 9 mm (metric) wrench.
- 14) Remove pilot nut with an 11 mm wrench.
- 15) Remove valve to orifice nut with a 13/16" wrench.

- 16) Remove inlet pipe with pipe wrench. Note orientation of 90° elbow.
- 17) Remove two (2) phillips head M5 screws on each side of the valve.
- 18) Remove valve and remove gas out 90° brass fitting. Note orientation of fitting.

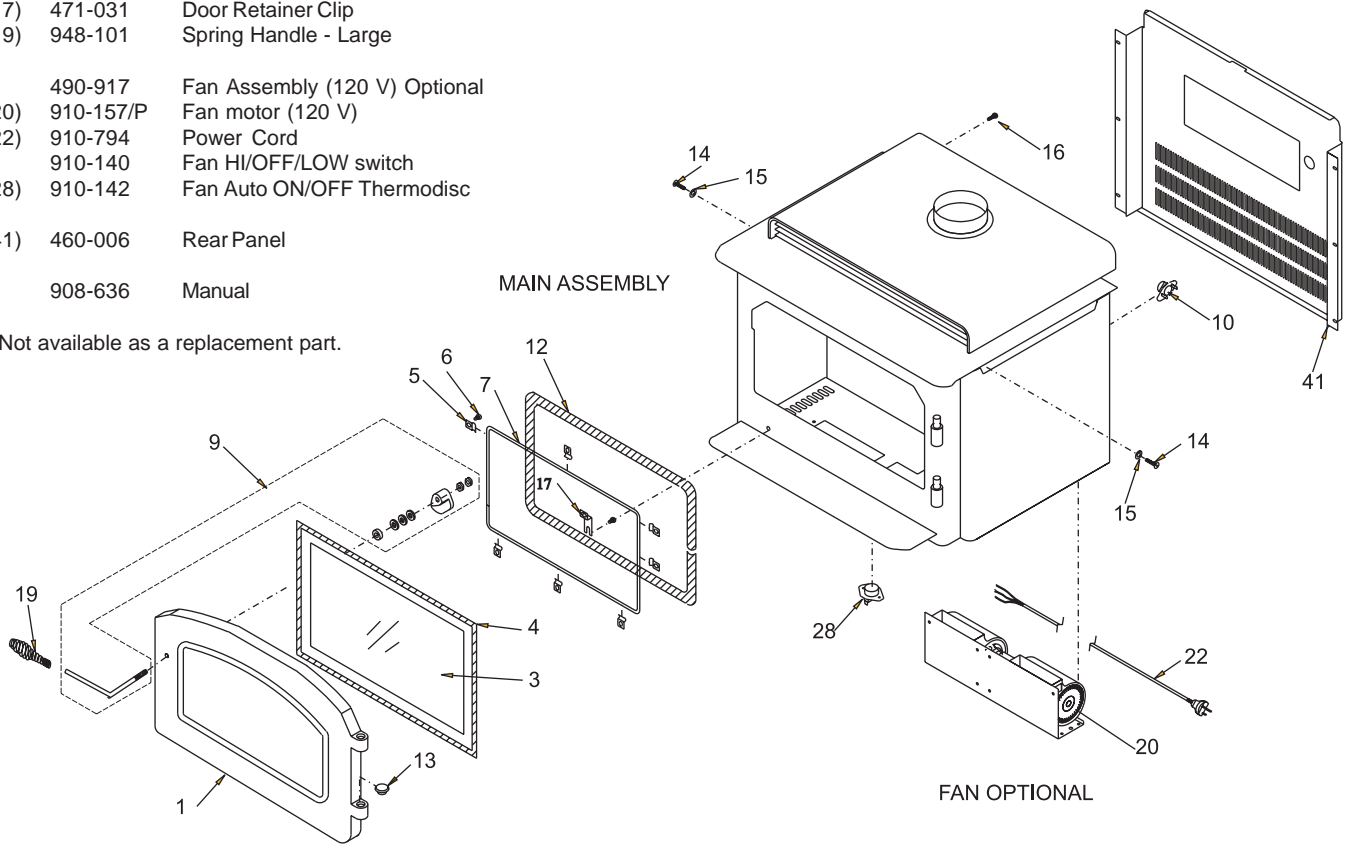
INSTALLING VALVE ASSEMBLY

- 1) To install a new valve assembly, reverse instructions for **removing valve**. See assembly steps 1-11.
- 2) Check for leaks and manifold pressure. See **Gas Pressure Test** instructions.
- 3) To reinstall valve, reverse instructions for removing valve assembly, steps 12-18.

MAIN ASSEMBLY

Part #	Description
1) 846-913 846-915	Door Assy-Gold (no glass) Door Assy-Black (no glass)
3) 846-302	Small Glass
4) 936-243	Glass Gasket (7/8")
5) 846-920	Glass Retainer Clips (8/set)
6) *	Screw 1/4 - 20 x 3/8"
7) 948-170/P	Small Glass Retainer
9) 846-973	Door Handle/Latch Assembly
10) 910-250	Spill Switch
12) 846-570	7/8" Gasket Repair Kit
13) 846-918	Hinge Cap - Gold (2/set)
14) *	Screw #10 - 24 x 3/4"
15) *	1/4" split lock washer
16) *	Screw #10 - 24 x 1/2"
17) 471-031	Door Retainer Clip
19) 948-101	Spring Handle - Large
490-917	Fan Assembly (120 V) Optional
20) 910-157/P	Fan motor (120 V)
22) 910-794	Power Cord
910-140	Fan HI/OFF/LOW switch
28) 910-142	Fan Auto ON/OFF Thermodisc
41) 460-006	Rear Panel
908-636	Manual

*Not available as a replacement part.

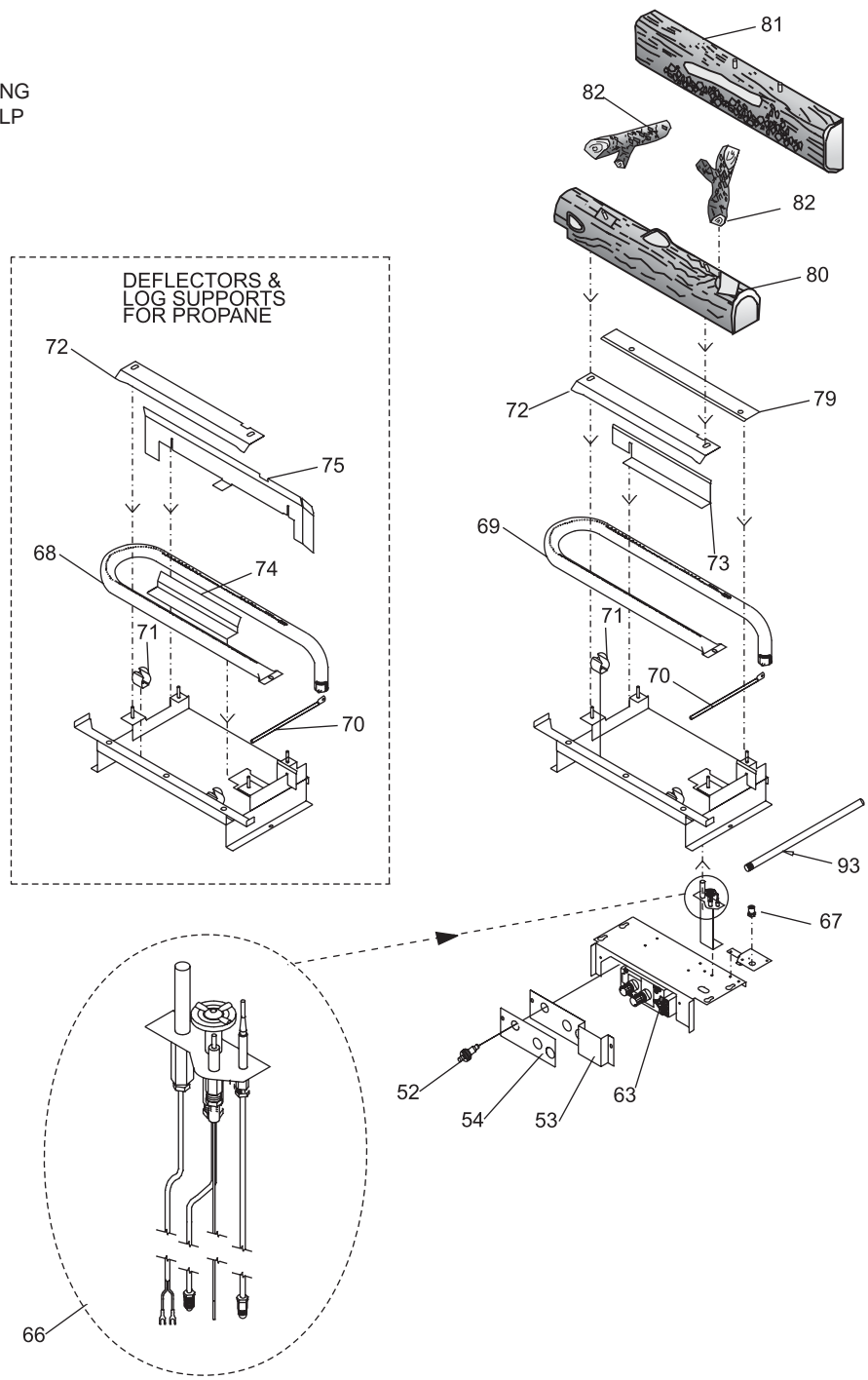


PARTS LIST

BURNER & LOGS

Part #	Description
52)	910-190 Piezo Ignitor & Nut
53)	* Control Panel
	908-672 Control Panel Decal
	462-560/P Valve Assembly - S.I.T. - NG
	462-561/P Valve Assembly - S.I.T. - LP
63)	910-378 Valve S.I.T. - NG
	910-380 Valve S.I.T. - LP
66)	910-034 Pilot Assembly-3 flame-S.I.T. -NG
	910-035 Pilot Assembly-3 flame-S.I.T. -LP
67)	904-604 Orifice #36 (NG)
	904-390 Orifice #52 (LP)
68)	948-279 Burner - LP
69)	948-294 Burner - NG
70)	948-232 Air Shutter Adjusting Rod
	* Burner Tray Assy-NG
	* Burner Tray Assy-LP
72)	490-023 Deflector - Front Log
73)	460-009 Deflector - Rear Burner Front
74)	490-025 Deflector - Btm
	Burner/Rear Log (LP)
75)	490-068 Rear Log Deflector Top - Propane
79)	460-011 Deflector - Rear Burner Back (NG)
80)	902-180 Front Log
81)	902-186 Rear Log
82)	902-182 Top Log (each)
93)	904-537 3/8 x 12" black mall nipple.

*Not available as a replacement part.

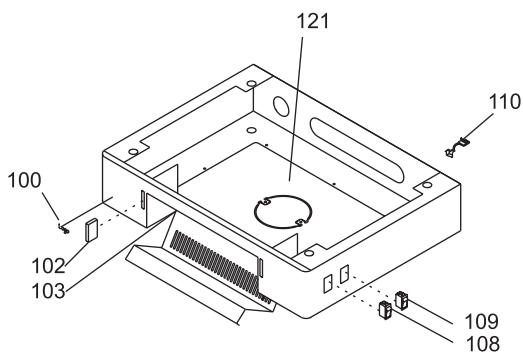


PILOT ASSEMBLY DETAILS

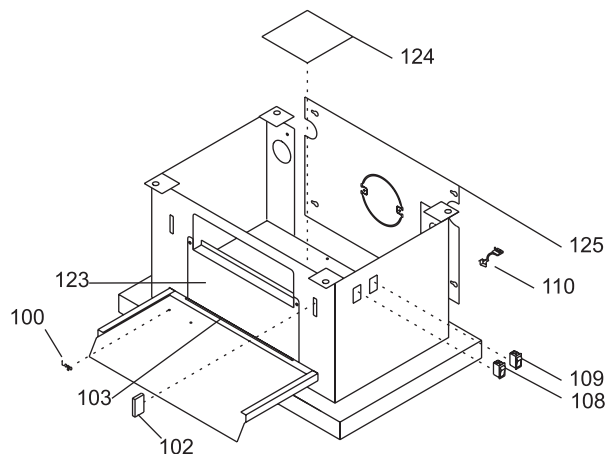
BASE OPTIONS

Part #	Description	Part #	Description
	490-921 Complete Floor Shield		490-926 Complete Pedestal
100)	948-216 Regency Logo	100)	948-216 Regency Logo
102)	904-257 Magnetic Catch (Large)	102)	904-257 Magnetic Catch (Large)
103)	* 11" Pedestal Hinge	103)	* 11" Pedestal Hinge
108)	910-246 Burner ON/OFF Switch (2-way)	108)	910-246 Burner ON/OFF Switch (2-way)
109)	910-272 LT. Dummy Plug	109)	910-272 LT. Dummy Plug
110)	* Strain Relief for power cord	110)	* Strain Relief for power cord
121)	* Access Panel	123)	* Pedestal Blanking Plate
		124)	820-058 Pedestal Cover Plate
140)	850-126 Cast Legs - Black	125)	* Rear Cover Plate
	850-127 Cast Legs - Gold		
	850-128 Cast Legs - Brush Nickel		
142)	850-125 Steel Legs		

*Not available as a replacement part.



FLOOR SHIELD (OPTIONAL)



PEDESTAL (OPTIONAL)



LEGS (OPTIONAL)



Regency Fireplace Products are designed with reliability and simplicity in mind. In addition, our internal Quality Assurance Team carefully inspects each unit thoroughly before it leaves our facility. FPI Fireplace Products International Ltd. is pleased to extend this limited lifetime warranty to the original purchaser of a Regency Product. This warranty is not transferable.

The Warranty: Limited Lifetime

The combustion chamber, heat exchanger, burner tubes/pans, logs and gold plating (against defective manufacture only) are covered under the Limited Lifetime Warranty for five (5) years for parts and subsidized labour* and parts only thereafter.

Glass is covered for lifetime against thermal breakage only, parts and subsidized labour* for five (5) years and parts only thereafter from date of purchase.

Special Finishes - One year on brushed nickel, louvers and doors. You can expect some changes in color as the product "ages" with constant heating and cooling. FPI warrants the product for any manufacturing defects on the original product. However, the manufacturers warranty does not cover changing colors and marks, ie. finger prints, etc applied after the purchase of the product. Damage from the use of abrasive cleaners is not covered by warranty.

Electrical and mechanical components such as blowers, switches, wiring, thermocouples, FPI remote controls, spill switches, thermopiles, thermocouples, pilot assembly components, and gas valves are covered for one year parts and subsidized labour* from the date of purchase. Blowers and valves replaced under warranty are considered repairs and continue as if new with appliance. ie. twelve (12) months from original purchase date of appliance with a minimum of three (3) months coverage from date of replacement.

FPI venting components (Direct Vent units) are covered parts and subsidized labour* for three (3) years from date of purchase.

Simpson Dura-Vent venting components (Direct Vent units) are covered by Simpson Dura-Vent Inc. warranty.

Conditions:

Any part or parts of this unit which in our judgement show evidence of such defects will be repaired or replaced at FPI's option, through an accredited distributor or agent provided that the defective part be returned to the distributor or agent Transportation Prepaid, if requested.

It is the general practice of FPI to charge for larger, higher priced replacement parts and issue credit once the replaced component has been returned to FPI and evaluated for manufacturer defect.

The authorized selling dealer is responsible for all in-field service work carried out on your Regency product. FPI will not be liable for results or costs of workmanship from unauthorized service persons or dealers.

At all times FPI reserves the right to inspect product in the field which is claimed to be defective.

All claims must be submitted to FPI by authorized selling dealers. It is essential that all submitted claims provide all of the necessary information including customer name, purchase date, serial #, type of unit, problem, and part or parts requested, without this information the warranty will be invalid.

Exclusions:

This limited Lifetime Warranty does not extend to or include paint, door or glass gasketing or trim.

At no time will FPI be liable for any consequential damages which exceed the purchase price of the unit. FPI has no obligation to enhance or modify any unit once manufactured. ie. as products evolve, field modifications or upgrades will not be performed.

FPI will not be liable for travel costs for service work.

Installation and environmental problems are not the responsibility of the manufacturer and therefore are not covered under the terms of this warranty policy.

Embers, glass and door gaskets, door handles and paint are not covered under the terms of this warranty policy.

Any unit which shows signs of neglect or misuse is not covered under the terms of this warranty policy.

The warranty will not extend to any part which has been tampered with or altered in any way, or in our judgment has been subject to misuse, improper installation, negligence or accident, spillage or downdrafts caused by environmental or geographical conditions, inadequate ventilation, excessive offsets, negative air pressure caused by mechanical systems such as furnaces, fans, clothes dryer, etc.

Freight damage to stoves and replacement parts is not covered by warranty and is subject to a claim against the freight carrier by the dealer.

FPI will not be liable for acts of God, or acts of terrorism, which cause malfunction of the appliance.

Performance problems due to operator error will not be covered by this warranty policy.

Products made or provided by other manufacturers and used in conjunction with the operation of this appliance without prior authorization from Regency, may nullify your warranty on this product.

Any alteration to the unit which causes sooting or carboning that results in damage to the interior / exterior facia is not the responsibility of FPI.

* Subsidy according to job scale as predetermined by FPI.



Regency fireplace products are designed with reliability and simplicity in mind. In addition, our internal Quality Assurance Team carefully inspects each unit thoroughly before it leaves our door.

Fireplace Products International Ltd. is pleased to extend this Limited Lifetime Warranty to the original purchaser of a Regency Product.

See the inside back cover for details.

Register your Regency online at
<http://www.regency-fire.com>

Installer: Please complete the following information

Dealer Name & Address: _____

Installer: _____

Phone #: _____

Date Installed: _____

Serial No.: _____