



INSTALLATION AND OPERATING INSTRUCTIONS FOR THE ULTIMATE FREESTANDING GAS STOVE

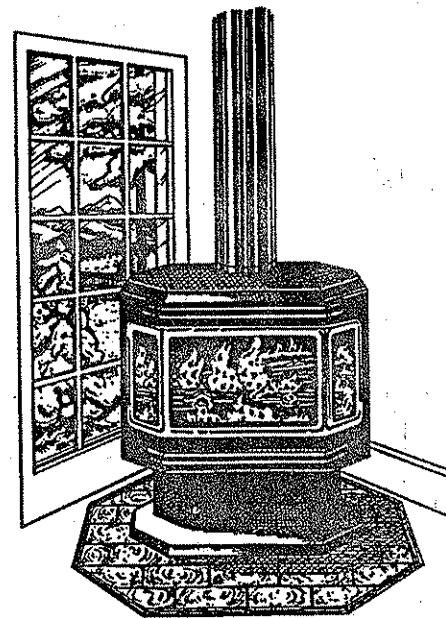
LISTINGS AND CODE APPROVALS

These gas appliances have been tested in accordance with National Safety Standards, and have been certified by Warnock Hersey for installation and operation as described in these Installation and Operating Instructions in the United States and Canada.

Check with your local building code agency before you begin your installation to ensure compliance with local codes, including the need for "permits" and follow-up inspections. If any problems are encountered regarding code approvals, or if you wish clarification of any of the instructions contained here, contact your local dealer.

Your unit should be serviced annually by a qualified service person.

Models: U43-NG1 Natural Gas
U43-LP1 Propane
U28-NG Natural Gas
U28-LP Propane



Dealer _____
Installer _____
Phone No. _____
Date Installed _____
Serial No. _____

Installer: PLEASE LEAVE THIS MANUAL WITH THE CUSTOMER
Homeowner: PLEASE KEEP THESE INSTRUCTIONS FOR FUTURE REFERENCE

WARNING:

Improper installation, adjustment, alteration, service or maintenance can cause injury or property damage. Refer to this manual. For assistance or additional information consult a qualified installer, service agency or the gas supplier.

FOR YOUR SAFETY

Do not store or use gasoline or other flammable vapours and liquids in the vicinity of this or any other appliance.

Installation and service must be performed by a qualified installer, service agency or the gas supplier.

FOR YOUR SAFETY

What to do if you smell gas:

- Do not try to light any appliance
- Do not touch any electrical switch: do not use any phone in your building.
- Immediately call your gas supplier from a neighbour's phone. Follow the gas supplier's instructions.
- If you cannot reach your gas supplier, call the fire department.

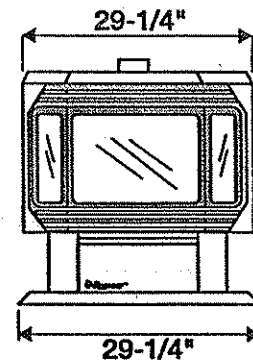
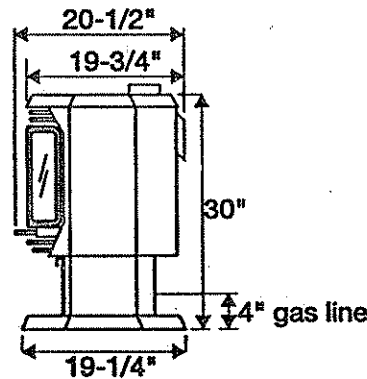
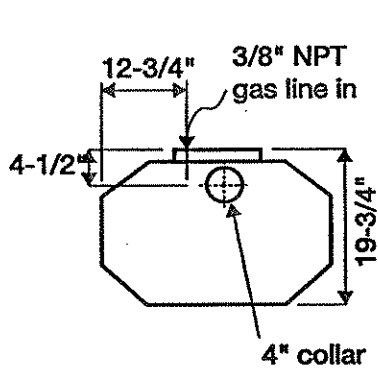
Fireplace Products International Ltd.
6988 Venture St., Delta, B.C.
Canada, V4G 1H4

Tested by Warnock Hersey:

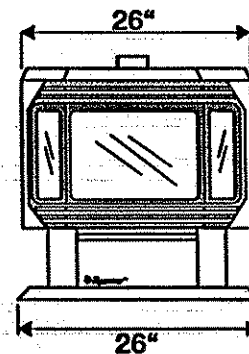
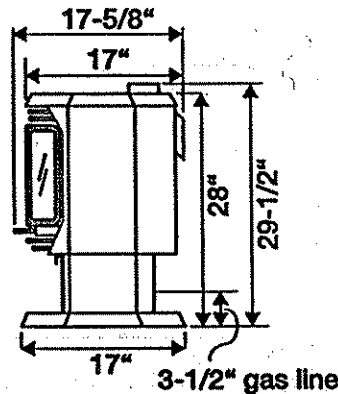
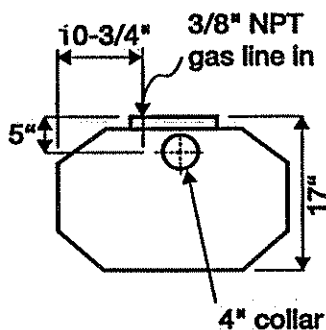


TO THE NEW OWNER:

Congratulations! You are the owner of a state-of-the-art ULTIMATE Gas Stove by FIREPLACE PRODUCTS INTERNATIONAL LTD. The Regency Gas Series of hand crafted appliances has been designed to provide you with all the warmth and charm of a woodstove, at the flick of a switch. The models U43-NG1, U43-LP1, U28-NG, and U28-LP of this series has been approved by Wamock Hersey for both safety and efficiency. As it also bears our own mark, it promises to provide you with economy, comfort and security for many trouble free years to follow. Please take a moment now to acquaint yourself with these instructions and the many features of your Regency Gas Stove.



U43-NG1 & U43-LP1



U28-NG & U28-LP

TABLE OF CONTENTS

	Page		Page
SAFETY LABEL		OPERATING INSTRUCTIONS	
Safety Label - U43-NG1	4	Operating Instructions	19
Safety Label - U43-LP1	5	Lighting Instructions	19
Safety Label - U29-NG/U29/LP	6	First Fire	19
		Shutdown Instructions	19
		Copy of Lighting Plate Instructions	20
INSTALLATION		Convection Fan Operation	21
General Installation Information	7	Pilot Adjustment	21
Minimum Clearances to Combustibles	8	Aeration Adjustment	21
Optional Outside Air	9	Normal Operating Sounds of	
- Outside Air through Bottom of Pedestal	9	Gas Appliances	22
- Outside Air through Rear of Pedestal	9		
Draft Hood	9	MAINTENANCE	
Venting	9	Maintenance Instructions	22
- Venting Requirements	9	Log Replacement	23
- Vent Terminations	10	Flame Height Adjustment	23
- Installation into Existing Woodstove		Gold Plated Doors	23
Flue System	10	Door and Glass Gasket	23
High Elevation	10	Glass Replacement	24
Gas Connection	11	- Mitred Door	24
System Data	11	- Panel Door	25
Gas Pressure Test	12	Fan Maintenance	26
Log Installation - U43	13	- Replacing Fan	26
Log Installation - U28	14	Removing Valve	27
Door Installation and Door Latch	15	Troubleshooting Guide	29
Test for Flue Spillage	16	Parts List - U43	30
Remote Wall Switch	16	Parts List - U28	31
Optional Remote Control Installation	16		
Optional Wall Thermostat	17	WARRANTY	
Wiring Diagram - U43	17	Warranty	35
Wiring Diagram - U28	18		


SAFETY LABEL

This is a copy of the label that accompanies each ULTIMATE Freestanding Gas Stove. We have printed a copy of the contents here for your review. The safety label is located on the inside of the drop down pedestal door.

NOTE: Regency units are constantly being improved. Check the label on the unit and if there is a difference, the label on the unit is the correct one.

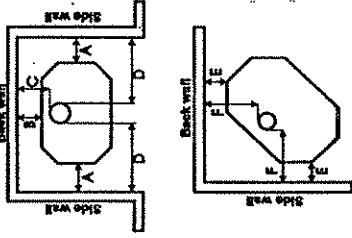
Copy of the Safety Label for the U43-NG1 Natural Gas

DO NOT REMOVE THIS LABEL/NE PAS ENLEVER CETTE ÉTIQUETTE



WH - U
Serial No./No de serie

Minimum Clearances to Combustibles
Degagement minimum des matériaux combustibles:



Listed: GAS FIRED VENTED ROOM HEATER
 Tested to: CAN1-2.1-M86, ANSI Z21.11.1a-1993,
 CGA 2.17-M91, ANSI Z21.50-1998/CGA 2.22-M98
 Certified for/Certifiée pour: CANADA and USA
 Report No. 476-1012 & 476-1053 (JULY 1994)

FACTORY EQUIPPED FOR NATURAL GAS: Model U43-NG1	ÉQUIPÉ À L'USINE POUR GAZ NATURAL:
Minimum supply pressure 5"	Pression d'alimentation minimum 1.25Kpa
Manifold pressure High 3.8"	Pression à la tubulure d'échappement élevée 0.94Kpa
Manifold pressure Low 1.1"	Pression à la tubulure d'échappement élevée 0.27Kpa
Orifice size #32	Dimensions de l'orifice
Output -Fan Off 27,740 BTU/h	Debit Calorifique -Ventilateur Eleint BTU/h 8.13Kw/h
Output -Fan On 29,260 BTU/h	Debit Calorifique -Ventilateur en Marche BTU/h 8.58Kw/h
Altitude 0-2000 ft/pl	L'altitude 0-610
Maximum Input 38,000 BTU/h	Debit calorifique maximum selon 11.14Kw/h
Minimum Input 20,000 BTU/h	Debit calorifique minimum selon 5.86Kw/h

FACTORY EQUIPPED FOR NATURAL GAS: Model U43-NG1

Minimum supply pressure 5" WC/C.E. (1.25Kpa)
Manifold pressure High 3.8" WC/C.E. (0.94Kpa)
Manifold pressure Low 1.1" WC/C.E. (0.27Kpa)
Orifice size #32 DMS
Output -Fan Off 27,740 BTU/h (8.13Kw/h)
Output -Fan On 29,260 BTU/h (8.58Kw/h)
Altitude 0-2000 ft/pl
Maximum Input 38,000 BTU/h (11.14Kw/h)
Minimum Input 20,000 BTU/h (5.86Kw/h)

HIGH ALTITUDE CONVERTED NATURAL GAS: Model U43-NG1

Minimum supply pressure 5" WC/C.E. (1.25Kpa)
Manifold pressure High 3.8" WC/C.E. (0.94Kpa)
Manifold pressure Low 1.1" WC/C.E. (0.27Kpa)
Orifice size #33 DMS
Output -Fan Off 24,620 BTU/h (7.28Kw/h)
Output -Fan On 26,180 BTU/h (7.67Kw/h)
Altitude 2000-4500ft/pl (610-1370m)
Maximum Input 34,000 BTU/h (9.98Kw/h)
Minimum Input 18,000 BTU/h (5.28Kw/h)

GAS FIRED VENTED ROOM HEATER
 This appliance must be installed in accordance with local codes, if any; if not, follow: ANSI Z223.1/CAN/CGA-B149

Electrical Supply (115 V, 1.13 A, 60 Hz)
 Not for use with solid fuel.

POLE R GAZ RADIATEUR VENTILE
 Cet appareil doit être installé conformément aux exigences des codes locaux, s'il n'existe aucun code local, se conformer à la norme: ANSI Z223.1 / CAN 1-B149 en vigueur.

Alimentation électrique
 Ne doit pas être utilisé avec un combustible solide.

Field Convertible for Altitude 2000-4500ft. (Report No. 476-1289)

Min. Ceiling Height from top of unit / Min. Plafond Hauteur en haut de l'appareil: 36" / 914 mm

A 7-1/2" / 190mm
 B 6" / 155mm
 C 8-1/2" / 215mm
 D 20" / 510mm
 E 2" / 50mm
 F 9" / 230 mm


908-885 WD

Copy of the Safety Label for the U43-LP1 Propane

WH - U

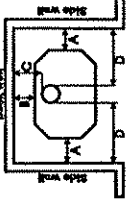
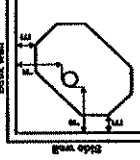
Serial No./No de serie

DO NOT REMOVE THIS LABEL/NE PAS ENLEVER CETTE ÉTIQUETTE



Listed: GAS FIRED VENTED ROOM HEATER
 Tested to: CAN1-2.1-M86, ANSI Z21.11.1a-1993,
 ANSI Z21.50-1996/CGA 2.22-M96
 Certified for/Certifié pour: CANADA and USA
 Report No. 476-1012 & 476-1053 (JULY 1994)

Minimum Clearances to Combustibles
 Degagement minimum des matériaux combustibles:

A	7-1/2"	/190mm
B	6"	/155mm
C	8-1/2"	/215mm
D	20"	/510mm
E	2"	/50mm
F	9"	/230 mm

Min. Ceiling Height from top of unit / Min. Plafond Hauteur en haut de l'appareil: 36" / 914 mm

FACTORY EQUIPPED FOR PROPANE GAS: Model U43-LP1 **ÉQUIPÉ À L'USINE POUR GAZ PROPANE:**

Minimum supply pressure	12"	WC/C.E.	(3.00Kpa)	Pression d'alimentation minimum
Manifold pressure High	11"	WC/C.E.	(2.74Kpa)	Pression a la tubure d'échappement élevée
Manifold pressure Low	2.9"	WC/C.E.	(0.72Kpa)	Pression a la tubure d'échappement élevée
Orifice size - Rear	54	DMS		Dimensions de l'orifice -arrière
Orifice size - Front	56	DMS		Dimensions de l'orifice -avant
Output -Fan Off	28,200	BTU/h	(8.26Kw/h)	Debit Calorifique -Ventilateur Eleint BTU/h
Output -Fan On	29,640	BTU/h	(8.69Kw/h)	Debit Calorifique -Ventilateur en Marche BTU/h
Altitude	0-2,000	ft/pi	(0-610m)	L'altitude
Maximum Input	38,000	BTU/h	(11.14Kw/h)	Débit calorifique maximum selon
Minimum Input	20,000	BTU/h	(5.86Kw/h)	Débit calorifique minimum selon

GAS FIRED VENTED ROOM HEATER
 This appliance must be installed in accordance with local codes, if any; if not, follow: ANSI Z223.1/CAN/CGA-8149.

POLE R GAZ RADIATEUR VENTILE
 Cet appareil doit être installé conformément aux exigences des codes locaux, s'il n'existe aucun code local, se conformer à la norme: ANSI Z223.1 / CAN 1-8149 en vigueur.

Electrical Supply (115 V, 1.13 A, 60 Hz)
 Not for use with solid fuel.

Alimentation électrique
 Ne doit pas être utilisé avec un combustible solide.


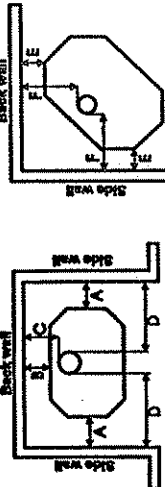
Model/Modele:
U43-LP1

Fireplace Products International Ltd., Delta, BC, Canada Made in CANADA / FABRIQUE AU CANADA

908-886 WD

SAFETY LABEL

Copy of the Safety Label for the U28-NG & U28-LP

<p>WATCOCK INDUSTRIES  WH - U Serial No./No de serie</p>		<p>Regency FIREPLACE PRODUCTS</p>		<p>DO NOT REMOVE THIS LABEL/NE PAS ENLEVER CETTE ÉTIQUETTE</p>			
<p>Listed: GAS FIRED VENTED ROOM HEATER Tested to: CAN1-2.1-M86, ANSI Z21.11.1a-1993, ANSI Z21.50-1996/CGA 2.22-M96 Certified for/Certifiée pour: CANADA and USA Report No. 476-1496 (FEB. 1998)</p>		<p>FACTORY EQUIPPED FOR NATURAL GAS: Model U28-NG ÉQUIPÉ À L'USINE POUR GAZ NATURAL: Minimum supply pressure (1.25Kpa) Pression d'alimentation minimum Manifold pressure High (0.94Kpa) Pression a la tubure d'échappement élevée Manifold pressure Low (0.27Kpa) Pression a la tubure d'échappement élevée Orifice size #41 DMS Dimensions de l'orifice Output -Fan Off 19,170 Btu/h Débit Calorifique -Ventilateur Eleint Btu/h Output -Fan On 20,061 Btu/h Débit Calorifique -Ventilateur en Marche Btu/h Altitude 0-4,500 ft/pl L'altitude Maximum Input 27,000 Btu/h Débit calorifique maximum selon Minimum Input 13,500 Btu/h Débit calorifique minimum selon</p>		<p>FACTORY EQUIPPED FOR PROPANE: Model U28-LP ÉQUIPÉ À L'USINE POUR GAZ PROPANE: Minimum supply pressure (3.00Kpa) Pression d'alimentation minimum Manifold pressure High (2.74Kpa) Pression a la tubure d'échappement élevée Manifold pressure Low (0.72Kpa) Pression a la tubure d'échappement élevée Orifice size #53 DMS Dimensions de l'orifice Output -Fan Off 19,440 Btu/h Débit Calorifique -Ventilateur Eleint Btu/h Output -Fan On 20,250 Btu/h Débit Calorifique -Ventilateur en Marche Btu/h Altitude 0-4500 ft/pl L'altitude Maximum Input 27,000 Btu/h Débit calorifique maximum selon Minimum Input 13,500 Btu/h Débit calorifique minimum selon</p>		<p>Made in CANADA / FABRIQUE AU CANADA Fireplace Products International Ltd, Delta, BC, Canada</p>	
<p>Model/Modele: U28-NG</p>		<p>Model/Modele: U28-LP</p>		<p>Minimum Clearances to Combustibles Degagement minimum des materiaux combustibles:</p>  <p>A 7-1/2" /190mm Min. Ceiling B 6" /155mm Height from top of unit / Min. C 8-3/4" /222mm Plafond Hauteur D 18-1/2" /470mm en haut de l'appareil: 36" / 914 mm E 2" /50mm F 9" /230 mm</p>			
<p>GAS FIRED VENTED ROOM HEATER This appliance must be installed in accordance with local codes, if any; if not, follow: ANSI Z223.1/CAN/CGA-B149 Electrical Supply (115 V, 1.13 A, 60 Hz) Not for use with solid fuel.</p>		<p>POLE R GAZ RADIATEUR VENTILE Cet appareil doit être installé conformément aux exigences des codes locaux, s'il n'existe aucun code local, se conformer à la norme: ANSI Z223.1 / CAN 1-B149 en vigueur. Alimentation électrique . Ne doit pas être utilisé avec un combustible solide.</p>		<p>908-996 WD</p>			

BEFORE YOU START

Safe installation and operation of this appliance requires common sense, however, we are required by the Canadian Safety Standards and ANSI Standards to make you aware of the following:

INSTALLATION AND REPAIR SHOULD BE DONE BY A QUALIFIED SERVICE PERSON. THE APPLIANCE SHOULD BE INSPECTED BEFORE USE AND AT LEAST ANNUALLY BY A PROFESSIONAL SERVICE PERSON. MORE FREQUENT CLEANING MAY BE REQUIRED DUE TO EXCESSIVE LINT FROM CARPETING, BEDDING MATERIAL, ETC. IT IS IMPERATIVE THAT CONTROL COMPARTMENTS, BURNERS AND CIRCULATING AIR PASSAGEWAYS OF THE APPLIANCE BE KEPT CLEAN.

DUE TO HIGH TEMPERATURES, THE APPLIANCE SHOULD BE LOCATED OUT OF TRAFFIC AND AWAY FROM FURNITURE AND DRAPERIES.

WARNING: FAILURE TO INSTALL THIS APPLIANCE CORRECTLY MAY CAUSE A SERIOUS HOUSE FIRE AND WILL VOID YOUR WARRANTY.

CHILDREN AND ADULTS SHOULD BE ALERTED TO THE HAZARDS OF HIGH SURFACE TEMPERATURES, ESPECIALLY THE FIREPLACE GLASS, AND SHOULD STAY AWAY TO AVOID BURNS OR CLOTHING IGNITION.

YOUNG CHILDREN SHOULD BE CAREFULLY SUPERVISED WHEN THEY ARE IN THE SAME ROOM AS THE APPLIANCE.

CLOTHING OR OTHER FLAMMABLE MATERIAL SHOULD NOT BE PLACED ON OR NEAR THE APPLIANCE.

GENERAL SAFETY INFORMATION

- 1) The appliance installation must conform with local codes or, in the absence of local codes, with the current Canadian or National Gas Codes, CAN1-B149 or ANSI-223.1 Installation Codes.
- 2) The appliance when installed, must be electrically grounded in accordance with local codes, or in the absence of local codes with the current National Electrical Code, ANSI/NFPA 70 or CSA C22.1 Canadian Electrical Code.

- 3) See general construction and assembly instructions.
- 4) This appliance must be connected to a vent and terminate to the outside of the building envelope. Never vent to another room or inside a building.
- 5) Inspect the venting system annually for blockage and any signs of deterioration.
- 6) Any safety glass removed for servicing must be replaced prior to operating the appliance.
- 7) To prevent injury, do not allow anyone who is unfamiliar with the operation to use the fireplace.
- 8) Wear gloves and safety glasses for protection while doing required maintenance.
- 9) Under no circumstances should this appliance be modified. Parts that have to be removed for servicing should be replaced prior to operating this appliance.
- 10) Installation and any repairs to this appliance should be done by a qualified service person. A professional service person should be called to inspect this appliance annually. Make it a practice to have all of your gas appliances checked annually.
- 11) Do not strike the glass door.
- 12) Under no circumstances should any solid fuels (wood, paper, cardboard, coal, etc.) be used in this appliance.
- 13) The appliance area must be kept clear and free of combustible materials, (gases and other flammable vapours and liquids).
- 14) This unit can be installed on a solid combustible surface like a wood floor as well as on carpeting as long as the carpet underneath the pedestal base has been removed.
- 15) Do not connect this gas appliance to chimney flue serving a separate solid-fuel burning appliance.

IMPORTANT: SAVE THESE INSTRUCTIONS

The ULTIMATE Freestanding Gas Stove must be installed in accordance with these instructions. Carefully read all the instructions in this manual first. Consult the "authority having jurisdiction" to determine the need for a permit prior to starting the installation.

INSTALLATION

CLEARANCES TO COMBUSTIBLES

The clearances listed below are MINIMUM distances. Measure the clearance to both the appliance and the chimney connector. (The farthest distance is correct if the two clearances do not coincide.) For example, if the appliance is set as indicated in one of the figures but the connector is too close, move the stove until the correct clearance to the connector is obtained.

This unit can be installed on a solid combustible surface like a wood floor as well as on carpeting as long as the carpet underneath the pedestal base has been removed.

This appliance may be installed only with the clearances as shown in the situations pictured. Do not combine clearances from one type of installation with another in order to achieve closer clearances.

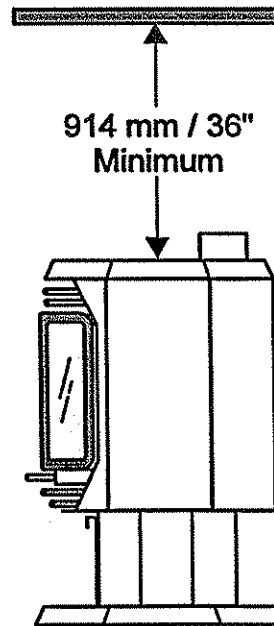
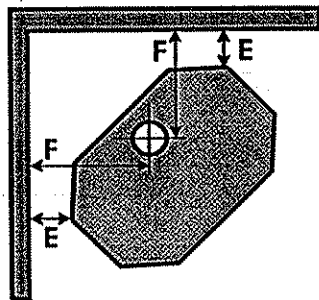
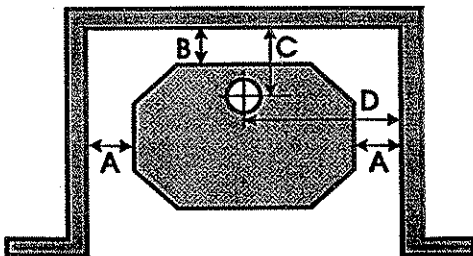
Use the minimum clearances shown in the diagrams below for installation with "B" vent.

U43-NG1 & U43-LP1 Clearances

A	Side Wall to Unit	7-1/2" / 190 mm
B	Back Wall to Unit	6" / 155 mm
C	Back Wall to Flue Centerline	10-1/2" / 265 mm
D	Side Wall to Flue Centerline	22" / 560 mm
E	Side Wall to Unit	2" / 50 mm
F	Side Wall to Flue Centerline	11" / 280 mm

U28-NG & U28-LP Clearances

A	Side Wall to Unit	7-1/2" / 190 mm
B	Back Wall to Unit	6" / 155 mm
C	Back Wall to Flue Centerline	10-3/4" / 273 mm
D	Side Wall to Flue Centerline	20-1/2" / 520 mm
E	Side Wall to Unit	2" / 50 mm
F	Side Wall to Flue Centerline	11" / 280 mm



Minimum ceiling height is 36" / 914 mm from top of unit.

If further reduced clearances are needed, obtain requirements for construction of a protected wall from your local building authorities and their allowable reductions of the listed clearances.

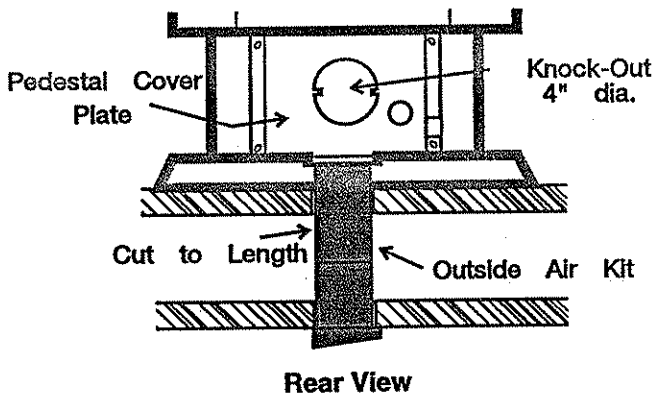
OPTIONAL OUTSIDE AIR

Outside air for combustion can be brought in either through the bottom of the pedestal or through the rear plate of the pedestal.

For both bottom and rear "outside air" the Pedestal Cover Plate must be installed. Loosen the 4 screws on the rear of the pedestal and slide the cover plate over them. Slide the plate to the left to center it and tighten down the 4 screws.

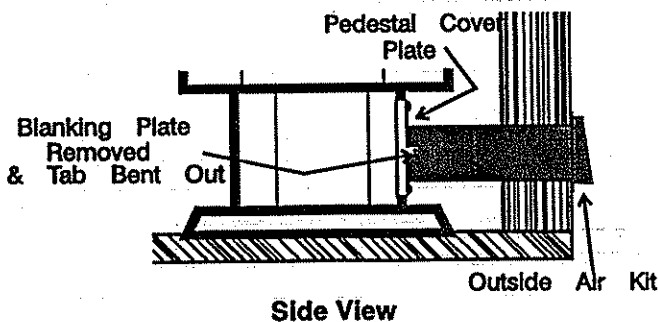
Outside Air Through Pedestal Bottom

Once you have properly marked the position of your unit as outlined in "General Information" and "Clearances to Combustibles", cut a properly sized hole through the floor directly under your pedestal base to the outside. Pipe fresh air into the pedestal area by using appropriate metallic duct pipe with a mesh grill at the outside termination. Do not remove the knockout.



Outside Air Through Rear of Pedestal

Remove the blanking plate from the rear of the pedestal cover plate and bend the two tabs out 90 degrees. Pipe fresh air into the pedestal area by using duct pipe with a mesh grill at the outside termination. Attach the pipe to the tabs with screws.



DRAFT HOOD

This heater has a draft hood built in. It must not be altered, obstructed, or blocked in any way, and the unit must be installed so that the draft hood is in the same atmospheric pressure zone as the combustion air inlet to the burner. This heater must be properly connected to a venting system. This heater is equipped with a vent safety shutoff system.

WARNING: Operation of this heater when not connected to a properly installed and maintained venting system or tampering with the vent safety shutoff system can result in carbon monoxide (CO) poisoning and possible death.

VENTING

This heater is a vented appliance and must be connected to a chimney/flue in accordance with the installation codes.

Note: The rear pedestal cover plate is only attached when outside air is being used. If using room air for combustion, do not install this plate on the back of the pedestal.

For your safety this heater is equipped with a vent safety switch designed to sense incorrect venting and react by shutting down the gas supply. This thermally actuated switch is located within the draft hood and will detect either a blocked chimney or backdraft condition where the chimney flow has reversed. If this switch shuts the unit down, it indicates a drafting problem that must be identified and rectified without delay - the thermally activated switch must never be bypassed or disconnected as a hazardous or deadly condition can result.

Venting Requirements

A four inch diameter vent is required. B-Vent, Class A or Masonry with an approved liner are all acceptable. For cosmetic or aesthetic purposes 6" outer vent can be used as long as an approved inner vent is installed. Fasten but do not penetrate the inner sleeve of the B-Vent when tightening the screw.

Follow all venting manufacturer's requirements and local building codes. In cold climates, we recommend the use of insulated B-vent, chase, and liners. For altitudes above 2000 ft. we recommend that a minimum flue height of 12 ft. is used.

GAS CONNECTION

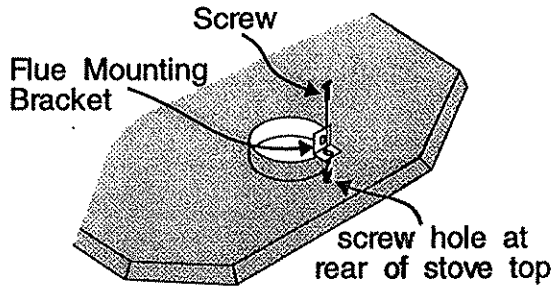
The gas line can be rigid pipe, or to make installation easier, use a listed flexible connector if allowed by local codes. Copper may also be used if approved by local codes.

The gas connection at the valve is 3/8" NPT. For minimum and maximum supply pressure see the System Data Table.

SYSTEM DATA - U43-NG1 & U43-LP1		
For 0 to 2000 feet altitude		
Burner Inlet Orifice Sizes:		
	Natural Gas	Propane
Burner (back)	#32	#54
(front)		#56
Max. Input	- Natural Gas/Propane 38,000 btu/h	
Min. Input	- Natural Gas/Propane 20,000 btu/h	
Output Capacity with blower Off		
Natural Gas	27,740 btu/h	
Propane	28,200 btu/h	
Output Capacity with blower On		
Natural Gas	29,260 btu/h	
Propane	29,640 btu/h	
Supply Pressure		
Natural Gas	min. 5" w.c.	
Propane	min. 12" w.c.	
Manifold Pressure		
Natural Gas	3.8"	+/- 0.2" w.c.
Propane	11"	+/- 0.2" w.c.
Electrical: 115 V. 1.13A 60Hz. Circulation: Variable speed fan, 125/75 CFM. Log Set: Ceramic fiber, 3 per set.		
SYSTEM DATA: HIGH ELEVATION - U43-NG1		
For 2,000 - 4,500 feet altitude		
Burner Inlet Orifice Sizes:		
	Natural Gas	
Burner	#33	
Max. Input Rating	34,000 btu/h	
Min. Input Rating	18,000 btu/h	
Output Capacity with blower Off		
Natural Gas	24,820 btu/h	
Max. Output Capacity with blower On		
Natural Gas	26,180 btu/h	

SYSTEM DATA - U28-NG & U28-LP		
For 0 to 4500 feet altitude		
Burner Inlet Orifice Sizes:		
	Natural Gas	Propane
Burner	#41	#53
Max. Input	- Natural Gas/Propane 27,000 btu/h	
Min. Input	- Natural Gas/Propane 13,500 btu/h	
Output Capacity with blower Off		
Natural Gas	19,170 btu/h	
Propane	19,440 btu/h	
Output Capacity with blower On		
Natural Gas	20,061 btu/h	
Propane	20,250 btu/h	
Supply Pressure		
Natural Gas	min. 5" w.c.	
Propane	min. 12" w.c.	
Manifold Pressure		
Natural Gas	3.8"	+/- 0.2" w.c.
Propane	11"	+/- 0.2" w.c.
Electrical: 115 V. 1.13A 60Hz. Circulation: Variable speed fan, 125/75 CFM. Log Set: Ceramic fiber, 3 per set.		

INSTALLATION

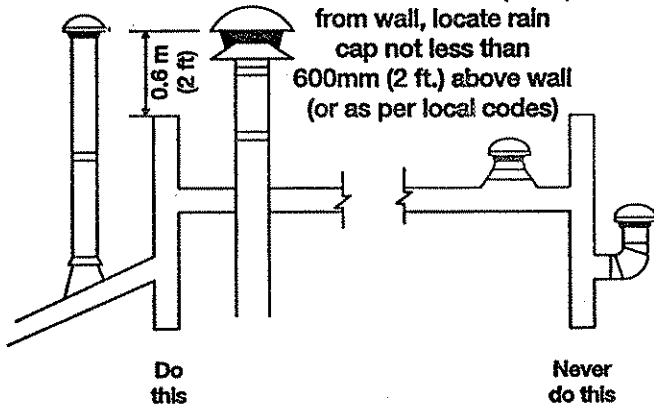


Flue Mounting Bracket

Attach the flue mounting bracket with the enclosed screw as shown in the diagram.

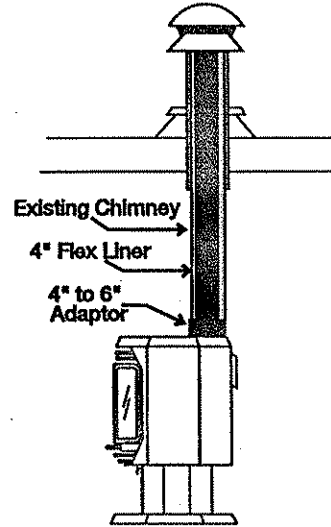
Vent Terminations

Vent less than 3m (10 ft.) from wall, locate rain cap not less than 600mm (2 ft.) above wall (or as per local codes)

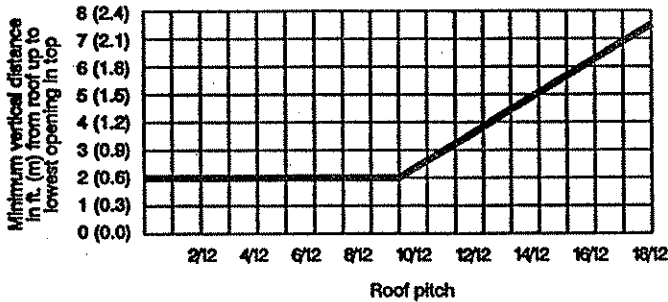


Installation into Existing Woodstove Flue System

- 1) Clean existing Chimney system.
- 2) Run an approved 4" flex liner or "B" vent into existing chimney.



Note: See the chimney systems manufacturer for detailed installation instructions.



HIGH ELEVATION

The U43 is approved in Canada for altitude 2000 ft. to 4500 ft. (CAN/CGA-2.17-M91) with the orifice kit (Part # 591-975). For Natural Gas installations above 4500 ft. follow current CAN/CGA-B149.1.

In U.S.A., for installations above 2000 ft. refer to current ANSI Z223.1 Sec8-8.1.2a appendix F, for resizing orifice.

INSTALLATION

GAS PIPE PRESSURE TESTING

The appliance must be isolated from the gas supply piping system by closing its individual manual shut-off valve during any pressure testing of the gas supply piping system at test pressures equal to or less than 1/2 psig. (3.45 kpa). Disconnect piping from valve at pressures over 1/2 psig (14" w.c.).

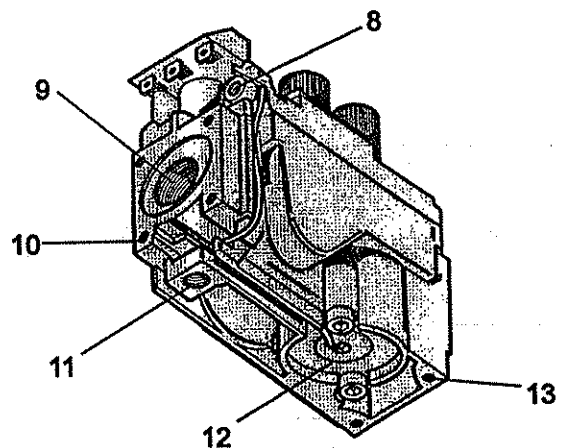
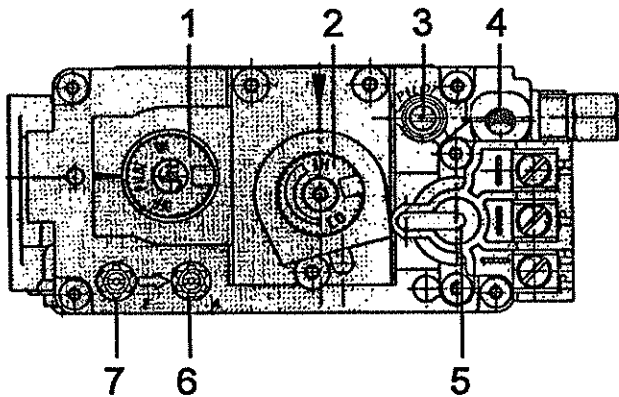
The manifold pressure is controlled by a regulator built into the gas control, and should be checked at the pressure test point.

Note: *To properly check gas pressure, both inlet and manifold pressures should be checked using the valve pressure ports on the valve.*

- 1) Make sure the valve is in the "OFF" position.
- 2) Loosen the "IN" (# 7) and/or "OUT" (# 6) pressure tap(s), turning counterclockwise with a 1/8" wide flat screwdriver.
- 3) Attach manometer to "IN" and/or "OUT" pressure tap(s) using a 5/16" ID hose.
- 4) Light the pilot and turn the valve to "ON" position.
- 5) The pressure check should be carried out with the unit burning and the setting should be within the limits specified on the safety label.
- 6) When finished reading manometer, turn off the gas valve, disconnect the hose and tighten the screw (clockwise) with a 1/8" flat screwdriver. *Screw should be snug, but do not over tighten.*

S.I.T. VALVE DESCRIPTION

- | | | |
|-------------------------------|------------------------|-------------------------------------|
| 1) Gas cock knob | 5) Main Operator | 10) Flange Securing Screw Holes |
| 2) Manual high/low adjustment | 6) Outlet Pressure Tap | 11) Alternative TC Connection Point |
| 3) Pilot Adjustment | 7) Inlet Pressure Tap | 12) Thermoelectric Unit |
| 4) Thermocouple Connection | 8) Pilot Outlet | 13) Additional Valve Mounting Hole |
| | 9) Main Gas Outlet | |



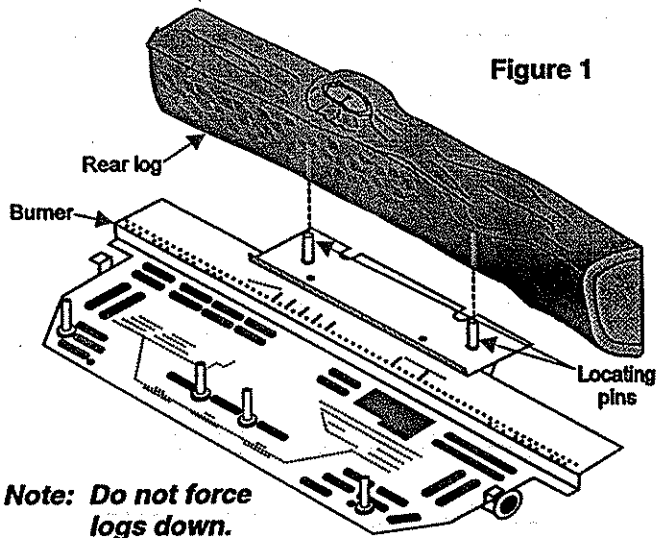
LOG INSTALLATION - U43

WARNING: Dangerous operating conditions may occur if these logs are not positioned in their approved locations. Read the instructions below carefully and refer to the diagrams. If logs are broken do not use the unit until they are replaced. Broken logs can interfere with the pilot operation and cause an explosion.

The gas log kit contains the following:

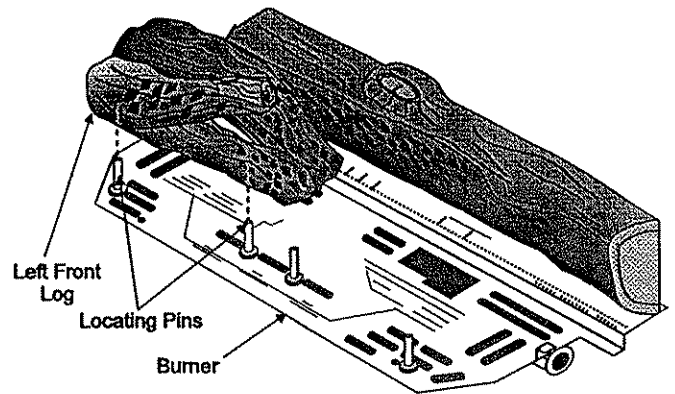
- a) Front Right Log - Part # 902-192
- b) Front Left Log - Part # 902-193
- c) Rear log - Part # 902-194
- d) Embers - Part # 902-151 (1 bag)
- e) Rockwool - Part # 902-153 (1 bag)
(Part # 650-933 for the set of three logs)

- 1) Remove the logs from the box and carefully unwrap them. The logs are fragile, handle with care - **DO NOT FORCE** into position.
- 2) Place the rear log, carefully sliding it down onto the pins, with the flat side of the log facing the back of the unit. See figure 1.

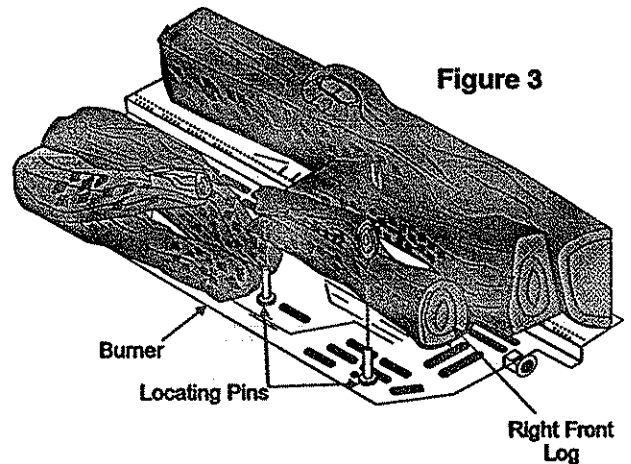


Note: Do not force logs down.

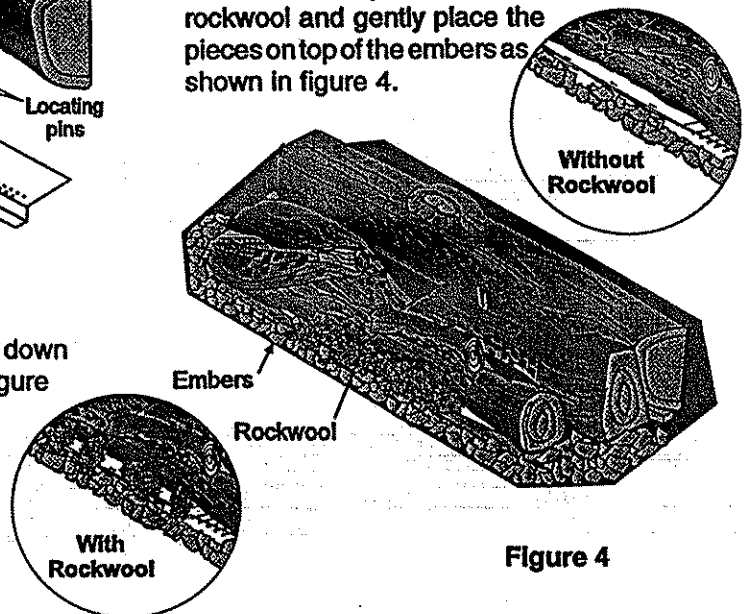
- 3) Place the left front log, carefully sliding it down onto the left pins of the front burner. See figure 2.



- 4) Place the right front log, carefully sliding it down onto the right pins of the front burner. See figure 3.



- 5) Distribute the embers on the base of the firebox. Pull off ember size pieces from the rockwool and gently place the pieces on top of the embers as shown in figure 4.



INSTALLATION

LOG INSTALLATION - U28

WARNING: Dangerous operating conditions may occur if these logs are not positioned in their approved locations. Read the instructions below carefully and refer to the diagrams. If logs are broken do not use the unit until they are replaced. Broken logs can interfere with the pilot operation and cause an explosion.

The gas log kit contains the following:

- a) Front Right Log - Part #902-209
 - b) Front Left Log - Part # 902-210
 - c) Rear log - Part # 902-211
 - d) Embers - Part # 902-151 (1 bag)
 - e) Rockwool - Part # 902-153 (1 bag)
(Part # 560-933 for the set of three logs)
- 1) Remove the logs from the box and carefully unwrap them. The logs are fragile, handle with care - **DO NOT FORCE** into position.
 - 2) Place the rear log, carefully sliding it down onto the pins, with the flat side of the log facing the back of the unit. See figure 1.

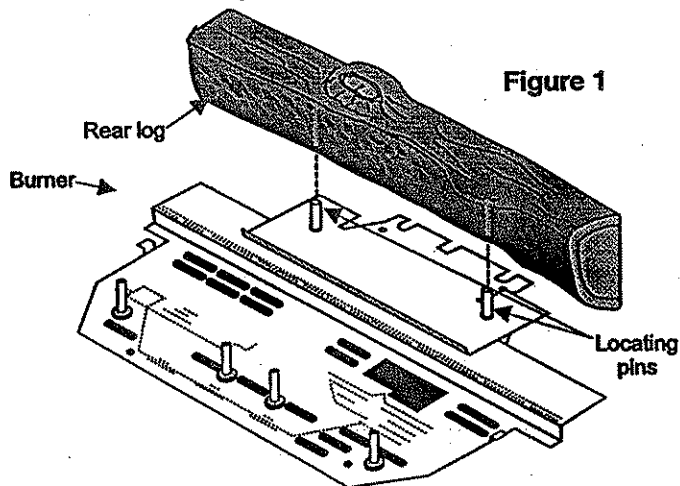


Figure 1

Note: Do not force logs down.

- 3) Place the left front log, carefully sliding it down onto the left pins of the front burner. See figure 2.

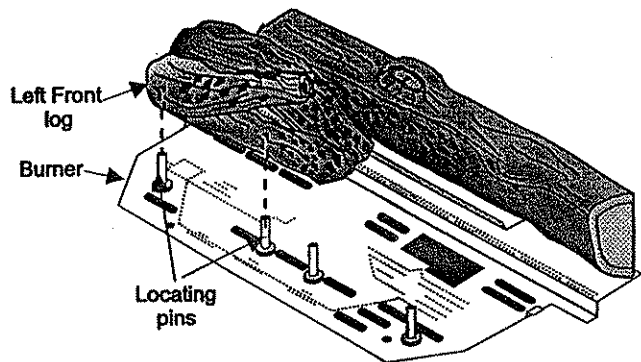


Figure 2

- 4) Place the right front log, carefully sliding it down onto the right pins of the front burner. See figure 3.

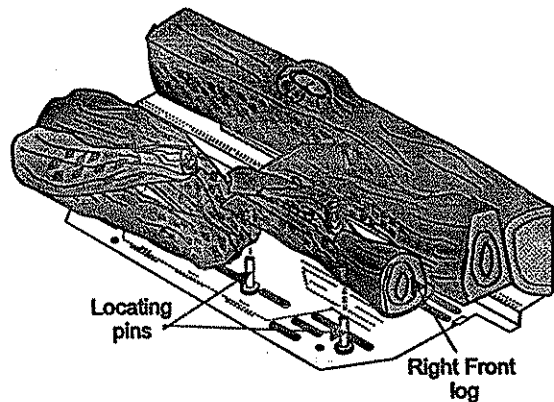


Figure 3

- 5) Distribute the embers on the base of the firebox on the left and right side, no embers in front (see Figure 4). Pull off ember size pieces from the rockwool and gently place the pieces on top of the embers as shown in figure 4.

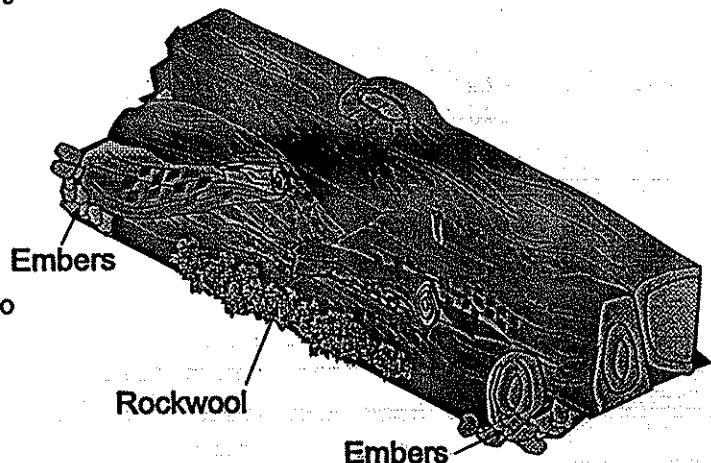
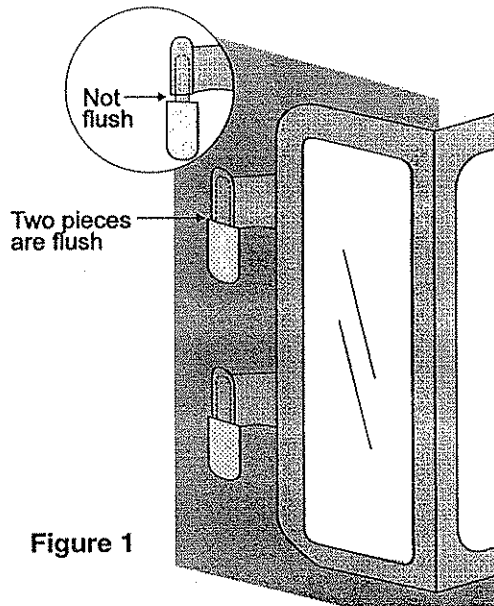


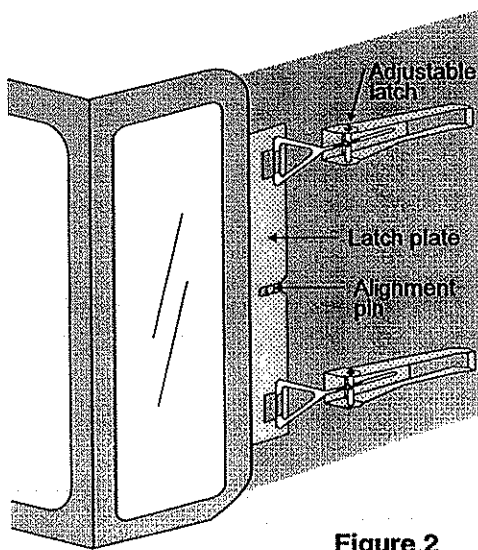
Figure 4

DOOR INSTALLATION (Packaged separately)

- 1) Open the two side panels.
- 2) Slide the door onto the two hinge pins making sure the two pieces are flush together. See figure 1.

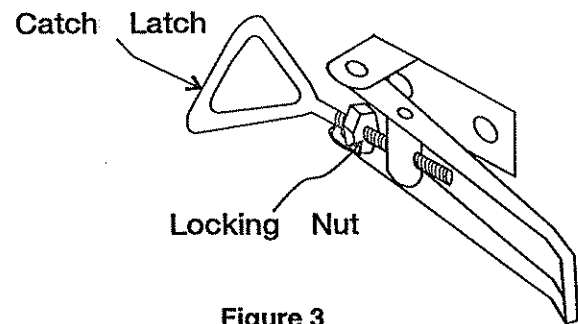


- 3) Close the door. The latch plate must be centered around the alignment pin. See figure 2. If the latch plate interferes with the corner of the stove you may want to angle the plate slightly so the door closes easier.



- 4) The latches should already be at the proper setting. If they are too hard or too easy to close, you may want to adjust them by loosening the locking nut and turning the latch catch. See figure 3.
- 5) Remove the blue plastic protective coating from the glass.
- 6) Test the seal around the door by placing a piece of paper between the unit and the door, close the door and try to pull the paper out. If it slips out easily, then the door is not properly sealed. Loosen the locking nut on the adjustable catch then tighten or loosen the latch. See figure 3.

Note: The door latch may require adjustment as the door gasket material compresses after a few fires and after glass replacement. Loosen the locking nut and turn the latch catch inward or outward.

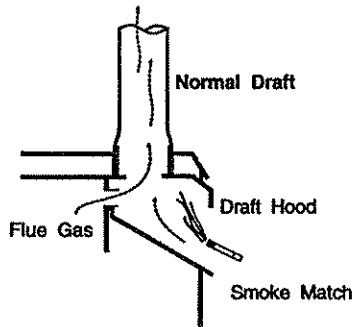


INSTALLATION

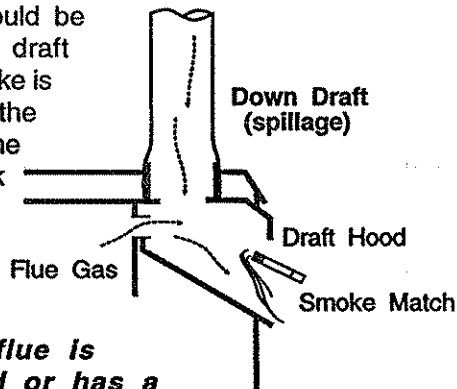
TEST FOR FLUE SPILLAGE

A "spillage" test must be made before the installed unit is left with the customer. Follow the procedure below:

- 1) Start all exhaust fans in the home and any other gas appliances. Then close all doors and windows.
- 2) Light the unit and set controls to maximum.
- 3) After five minutes, test that there is a "pull" on the flue by placing a smoke match, cigarette or similar device which gives off smoke, on the edge of the draft hood. See diagrams.

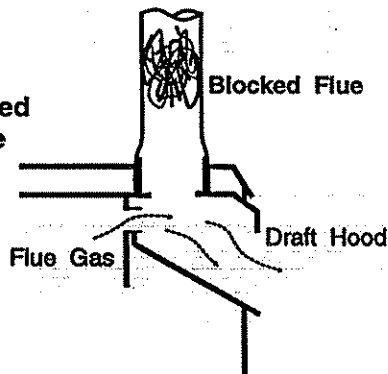


The smoke should be drawn into the draft hood. If the smoke is not drawn into the draft hood, turn the unit off and check for the cause of lack of draft.



Note: If the flue is blocked or has a strong reverse flow, the thermally actuated safety switch mounted in the draft hood will automatically shut off the gas supply within about 10 minutes. If the heater turns off because of this during the spillage test, check for the cause of the lack of draft.

The thermally activated safety switch must be manually reset before first startup.



REMOTE WALL SWITCH

- 1) Run the wire through the opening in the rear of the unit. Be careful not to damage wire.

Note: We recommend a maximum of 15' of wire but if you wish to go with a longer run use the Thermostat Wire Table (page 17).

- 2) Connect wire to supplied wall switch and install into receptacle box.

CAUTION

Do not wire millivolt remote wall switch for gas appliance to a 115V power supply.

OPTIONAL REMOTE CONTROL INSTALLATION

Use the Regency Remote Control Kit (Part # 910-358/P) approved for this unit. Use of other systems may void your warranty.

The remote control kit comes with a hand held transmitter, a receiver and a wall mounting plate.

- 1) Choose a convenient location on the wall to install the receiver and the receptacle box (protection from extreme heat is very important). Run wires from the fireplace to that location. Use Thermostat Wire Table.
- 2) Connect the two wires as per the wiring diagrams on pages 17 and 18.
- 3) Install a 9V alkaline battery in both receiver and the transmitter. Install the receiver and cover in the wall. The remote control is now ready for operation.

OPTIONAL WALL THERMOSTAT INSTALLATION

A wall thermostat may be installed if desired. Use chart below to determine the maximum wire length:

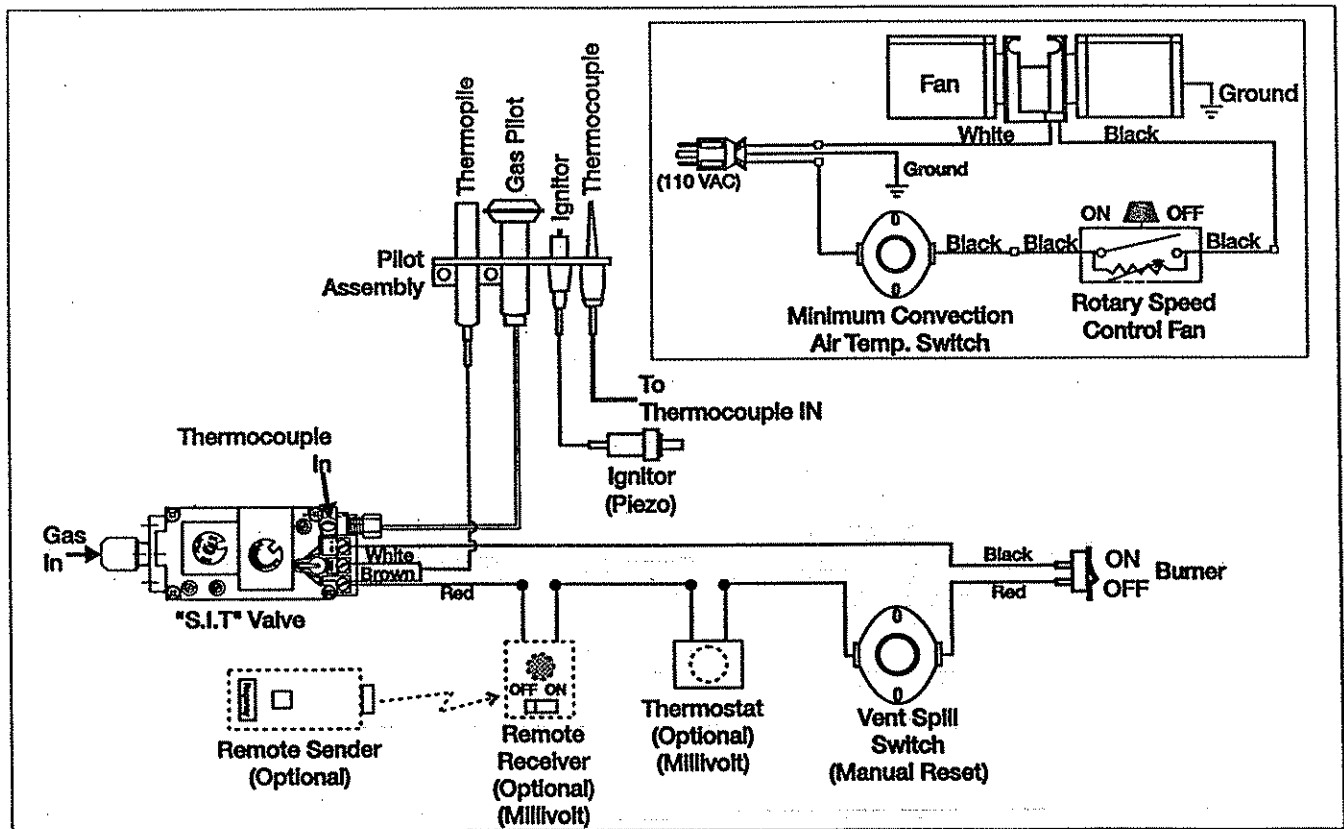
Thermostat Wire Table

Recommended max lead length (two wire) when using wall thermostat (CP-2 system) or remote control	
Wire size	Max. length
14 GA.	50 Ft.
16 GA.	32 Ft.
18 GA.	20 Ft.
20 GA.	12 Ft.
22 GA.	9 Ft.

Note: Preferable if the thermostat is installed on an interior wall.

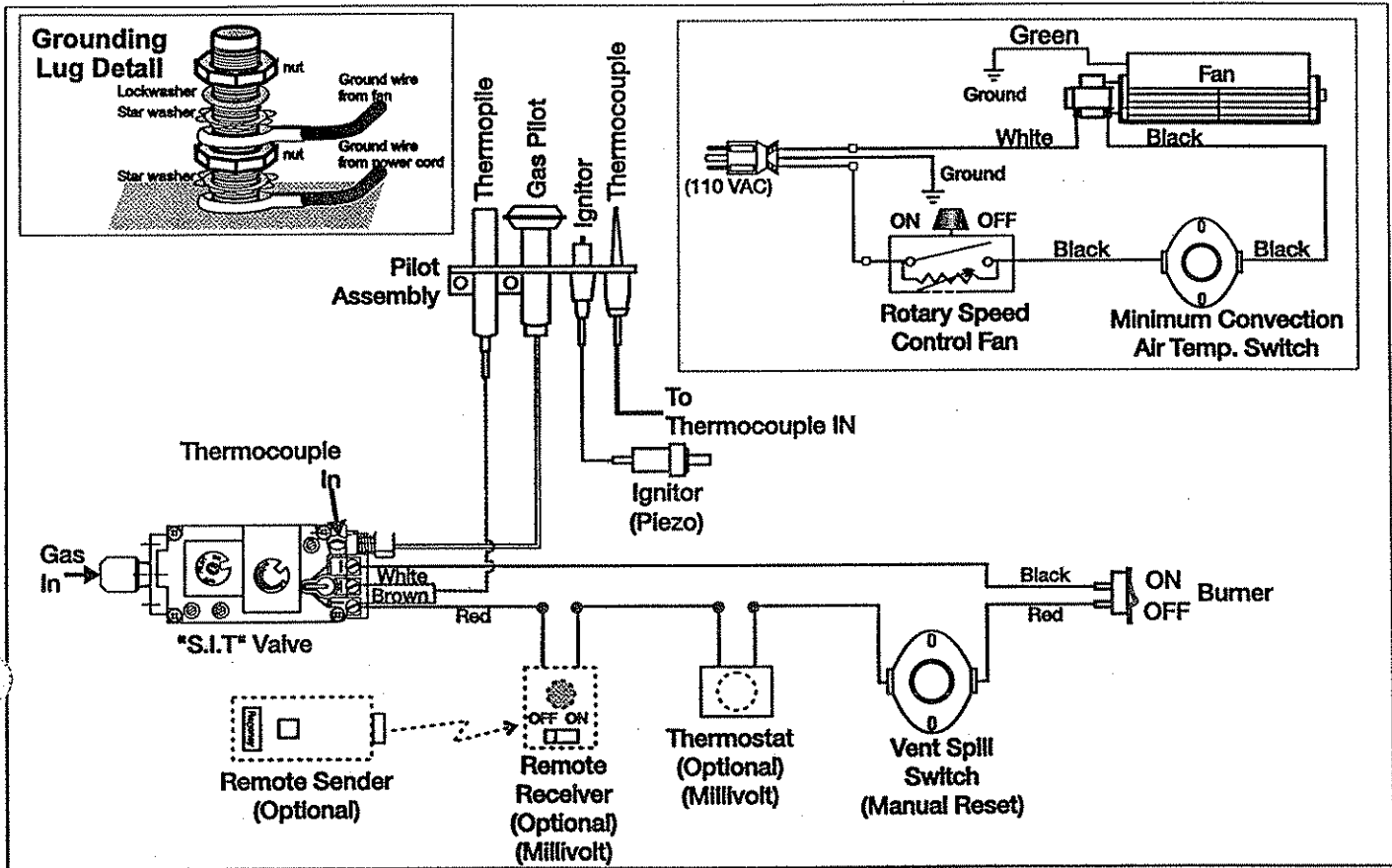
Regency offers a programmable thermostat but any CSA, ULC or UL approved millivolt thermostat, 250-750 millivolt rated non-anticipator type thermostat may be used.

WIRING DIAGRAM - U43



INSTALLATION

WIRING DIAGRAM - U28



OPERATING INSTRUCTIONS

OPERATING INSTRUCTIONS

Before operating this appliance, proceed through the following check list.

- 1) Read and understand these Instructions before operating this appliance.
- 2) Check to see that all wiring is correct and enclosed to prevent possible shock.
- 3) Check to ensure there are no gas leaks.
- 4) Make sure the three pieces of door glass are properly positioned. Never operate the appliance with any of the glass removed or with the door open.
- 5) Verify that all venting and the cap is unobstructed.
- 6) Verify log placement. If the pilot cannot be seen when lighting the unit - the logs or the embers have been incorrectly positioned.
- 7) The unit should never be turned off and on without a minimum of a 60 second wait.

LIGHTING INSTRUCTIONS

IMPORTANT: The PILOT knob cannot be turned from *pilot* to *off* unless it is partially depressed.

Note: *Open the pedestal door of the unit before lighting the pilot. Once the pilot is lit, close the door. You should never operate the unit with the door open.*

- 1) If the PILOT knob is in the *off* position proceed to Step 4.

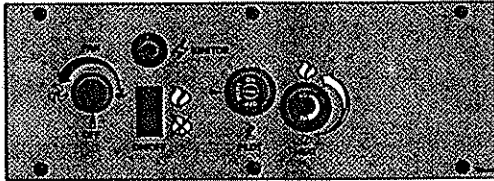


Diagram 1

- 2) Push in PILOT knob slightly and turn clockwise to *off*. Knob cannot be turned from *pilot* to *off* unless knob is pushed in slightly. Do not force.
- 3) Wait five minutes to allow gas, that may have accumulated in the main burner compartment, to escape. If you smell gas, follow the instructions on the front of this manual. If you don't smell gas continue on to the next step.

- 4) Turn the PILOT knob counterclockwise to *pilot* and align it with the arrow as shown in diagram 1.
- 5) Push in PILOT knob all the way in and hold. Immediately push IGNITOR button until pilot lights. Continue to hold the PILOT knob in for approximately one minute, then release the PILOT knob. The pilot flame should continue to burn. If the pilot does not remain lit, repeat operation allowing a longer period before releasing PILOT knob.
- 6) Turn PILOT knob counter clockwise to *on*.
- 7) Use the ON/OFF switch to turn on the burner.
- 8) Rotate the HEAT control to adjust the flame height *higher* or *lower*.

FIRST FIRE

The **FIRST FIRE** in your stove is part of the paint curing process. To ensure that the paint is properly cured, it is recommended that you burn your fireplace for at least four (4) hours the first time you use it with the fan on. When first operated, the unit will release an odour caused by the curing of the paint and the burning off of any oils remaining from manufacturing. Smoke detectors in the house may go off at this time. Open a few windows to ventilate the room for a couple of hours. The glass may require cleaning.

DO NOT ATTEMPT TO CLEAN THE GLASS WHILE IT IS STILL HOT!

Note: *When the glass is cold and the appliance is lit, it may cause condensation and fog the glass. This condensation is normal and will disappear in a few minutes as the glass heats up.*

DO NOT BURN THE APPLIANCE WITHOUT THE GLASS FRONT IN PLACE.

SHUTDOWN INSTRUCTIONS

- 1) Use the ON/OFF switch, wall switch, thermostat or remote control to turn off the burner.
- 2) Push in the PILOT knob slightly and turn clockwise to *off*. Do not force.
- 3) Turn off all electric power to the appliance if service is to be performed.

OPERATING INSTRUCTIONS

Copy of the Lighting Plate Instructions

FOR YOUR SAFETY READ BEFORE LIGHTING

This appliance must be installed in accordance with local codes, if any; if not, follow the current CAN1-B149/ANSI Z 223.1 (Australia: AG601, New Zealand: NZS 5261)

WARNING: If you do not follow these instructions exactly, a fire or explosion may result causing property damage, personal injury or loss of life. Improper installation, adjustment, alteration, service or maintenance can cause injury or property damage. Refer to the owner's information manual provided with this appliance. For assistance or additional information consult a qualified installer, service agency or gas supplier.

- A) This appliance has a pilot which must be lighted by hand, following the instructions below exactly.
- B) BEFORE LIGHTING smell all around the appliance area for gas. Be sure to smell next to the floor because some gas is heavier than air and will settle on the floor.
- WHAT TO DO IF YOU SMELL GAS**
- Do not try to light any appliance
 - Do not touch any electric switch, do not use any phone in your building
 - Immediately call your gas supplier from a neighbors phone. Follow the gas supplier's instructions.
 - If you cannot reach your gas supplier, call the fire department.
- C) Use only your hand to push in or turn the gas control knob. Never use tools. If the knob will not push in or turn by hand, don't try to repair it, call a qualified service technician. Force or attempted repair may result in a fire or explosion.
- D) Do not use this appliance if any part has been under water. Immediately call a qualified service technician to inspect the appliance and to replace any part of the control system and any gas control which has been under water.

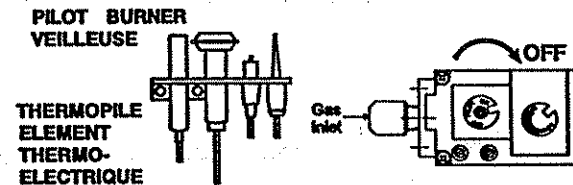
This appliance needs fresh air for safe operation and must be installed so there are provisions for adequate combustion and ventilation air.

CAUTION: Hot while in operation. Do not touch. Due to high surface temperatures keep children, clothing and furniture away. Keep burner and control compartment clean. See installation and operating instructions accompanying appliance.

LIGHTING INSTRUCTIONS

STOP! Read the safety information above on this label.

- 1) Push in gas control knob slightly and turn clockwise to "OFF". Knob cannot be turned from "PILOT" to "OFF" unless knob is pushed in slightly. Do not force.
- 2) Wait five (5) minutes to clear out any gas. If you then smell gas **STOP!** follow "B" in the safety information above on this label. If you don't smell gas, go to the next step.
- 3) Turn knob on gas control counterclockwise to "PILOT".
- 4) Push in control knob all the way and hold in. Immediately push red button on spark igniter until pilot lights. Continue to hold the control knob in for about 1/2 minute after the pilot is lit. Release knob and it will pop back up. Pilot should remain lit. If it goes out, repeat steps 3) and 4).
- 5) Turn gas control knob counterclockwise to "ON".
- 6) Use rocker switch to operate main burner.



TO TURN OFF GAS APPLIANCE

- 1) Push in the gas control knob slightly and turn clockwise to "OFF". Do not force.
- 2) Turn off all electric power to the appliance if service is to be performed.

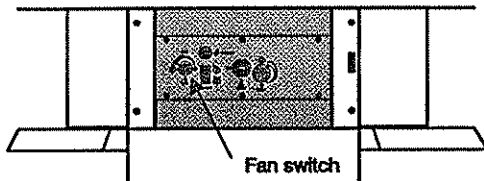
DO NOT REMOVE THIS INSTRUCTION PLATE

908-649

OPERATING INSTRUCTIONS

AUTOMATIC CONVECTION FAN OPERATION

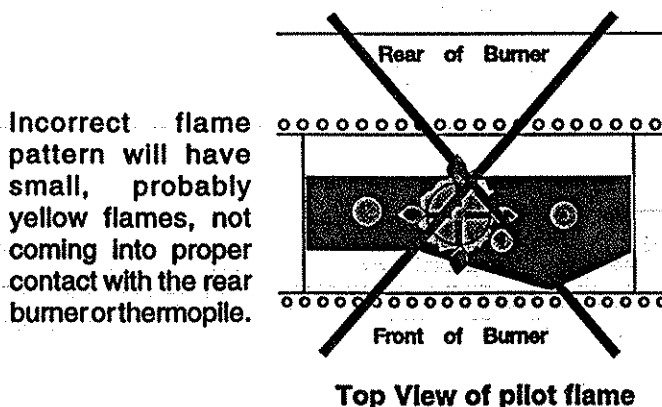
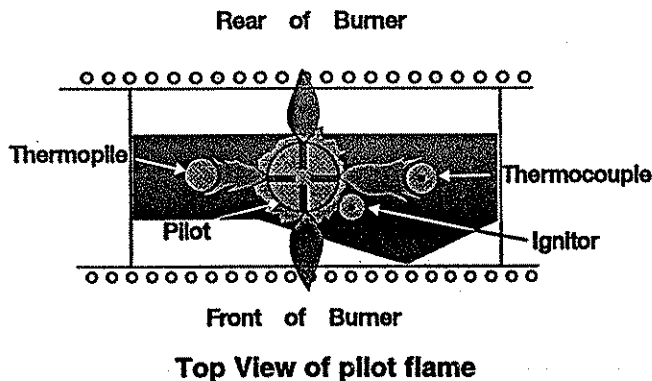
The fan operates automatically - turn the knob on the side of the faceplate to adjust to the desired speed. The fan will turn on as the stove comes up to operating temperature. After the unit has been turned off and cools to below a useful heat output range the fan will shut off automatically.



PILOT ADJUSTMENT

Periodically check the pilot flames. Correct flame pattern has four strong blue flames: 1 flowing around the thermopile and 1 around the thermocouple, 1 flowing across the rear burner and 1 reaching towards the front burner (it does not have to be touching the burner).

Note: If you have an incorrect flame pattern, contact your Regency dealer for further instructions.

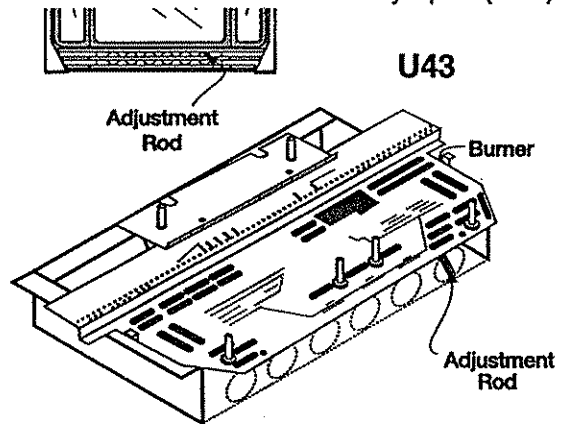


Incorrect flame pattern will have small, probably yellow flames, not coming into proper contact with the rear burner or thermopile.

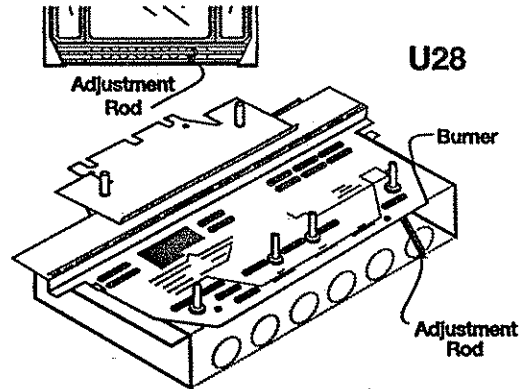
AERATION ADJUSTMENT

The burner aeration is factory set but may need adjusting due to either the local gas supply or altitude.

U43-NG1 Natural Gas: 1/4" open
 U43-LP1 Propane: Fully open (rear) and fully open (front)

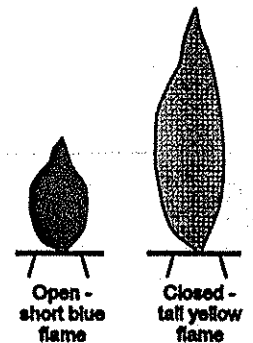


U28-NG Natural Gas 1/8" open
 U28-LP Propane 3/8" open



An aeration adjustment rod is attached to the air shutter on each burner. The rod is used to adjust the aeration on the main burner without having to take the appliance apart. This adjustment is performed by a qualified installer. The factory setting should be sufficient for most installations.

Note: Any damage due to carboning resulting from improperly setting the aeration controls is NOT covered under warranty.



MAINTENANCE

Normal Operating Sounds of Gas Appliances

It is possible that you will hear some sounds from your gas appliance. This is perfectly normal due to the fact that there are various gages and types of steel used within your appliance. Listed below are some examples, all are **normal operating sounds** and should not be considered as defects in your appliance.

Blower:

Regency gas appliances use high tech blowers to push heated air farther into the room. It is not unusual for the fan to make a "whirring" sound when ON. This sound will increase or decrease in volume depending on the speed setting of your fan rheostat.

Burner Tray:

The burner tray is positioned directly under the burner tube(s) and logs and is made of a different gage material from the rest of the firebox and body. Therefore, the varying thicknesses of steel will expand and contract at slightly different rates which can cause "ticking" and "cracking" sounds. You should also be aware that as there are temperature changes within the unit these sounds will likely re-occur, again, this is normal for steel fireboxes.

Blower Thermodisc:

When this thermally activated switch turns ON it will create a small "clicking" sound. This is the switch contacts closing and is normal.

Pilot Flame:

While the pilot flame is on it can make a very slight "whisper" sound.

Gas Control Valve:

As the gas control valve turns ON and OFF, a dull clicking sound may be audible, this is normal operation of a gas regulator or valve.

Unit Body/Firebox:

Different types and thicknesses of steel will expand and contract at different rates resulting in some "cracking" and "ticking" sounds will be heard throughout the cycling process.

MAINTENANCE INSTRUCTIONS

- 1) Always shut the valve off before cleaning. For relighting, refer to lighting instructions. Keep the burner and control compartment clean by brushing and vacuuming at least once a year. When cleaning the logs, use a soft clean brush as the logs are fragile and easily damaged.
- 2) Clean glass (never when unit is hot), appliance, louvers, and door with a damp cloth. Never use an abrasive cleaner. The gold louvers (and optional gold door) may be scratched if abrasives are used to clean them. The heater is finished in a heat resistant paint and should only be refinished with heat resistant paint (not with wall paint). Regency uses StoveBright Paint - Metallic Black #6309.
- 3) Make a periodic check of burner for proper position and condition. Visually check the flame of the burner periodically, making sure the flames are steady; not lifting or floating. If there is a problem, call a qualified service person.
- 4) The appliance and venting system must be inspected before use, and at least annually, by a qualified field service person, to ensure that the flow of combustion and ventilation air is not obstructed. During the annual service call, the burners should be removed from the burner tray and cleaned. Replace the embers - do not block the pilot or burner ports.
- 5) Keep the area near the appliance clear and free from combustible materials, gasoline and other flammable vapours and liquids.

WARNING: CHILDREN AND ADULTS SHOULD BE ALERTED TO THE HAZARDS OF HIGH SURFACE TEMPERATURE AND SHOULD STAY AWAY TO AVOID BURNS OR CLOTHING IGNITION. YOUNG CHILDREN SHOULD BE CAREFULLY SUPERVISED WHEN THEY ARE IN THE SAME ROOM AS THE APPLIANCE.

CAUTION: ANY SAFETY SCREEN OR GUARD REMOVED FOR SERVICING AN APPLIANCE MUST BE REPLACED PRIOR TO OPERATING THE APPLIANCE.

CLOTHING OR OTHER FLAMMABLE MATERIAL SHOULD NOT BE PLACED ON OR NEAR THE APPLIANCE.

DO NOT USE THIS APPLIANCE IF ANY PART HAS BEEN UNDER WATER. IMMEDIATELY CALL A QUALIFIED SERVICE TECHNICIAN TO INSPECT THE APPLIANCE AND TO REPLACE ANY PART OF CONTROL SYSTEM AND ANY GAS CONTROL WHICH HAS BEEN UNDER WATER.

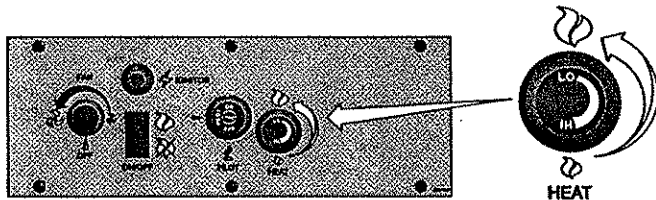
LOG REPLACEMENT

The unit should never be used with broken logs. Turn off the gas valve and allow the unit to cool before opening door to carefully remove the logs. The pilot light generates enough heat to burn someone. If for any reason a log should need replacement, you must use the proper replacement log. The position of these logs must be as shown in the diagram under Log Installation.

Note: Improper positioning of logs may create carbon build-up and will alter the unit's performance which is not covered under warranty.

ADJUSTING FLAME HEIGHT

Your heater has an adjustable flame to tailor the look and heat output to your specific needs. It is adjusted by turning the flame adjustment dial on the gas control valve.



Turn clockwise to adjust the flame higher, counterclockwise for a lower flame.

GOLD-PLATED DOORS

The 24 carat gold plated finish on the door requires little maintenance, and need only be cleaned with a damp cloth. DO NOT use abrasive materials or chemical cleaners, as they may harm the finish and will void the warranty. Clean any fingerprints off before turning the unit on.

DOOR AND GLASS GASKET

If the door gasket requires replacement use 7/8" diameter oval door gasket (Part # 650-920). The glass requires 5/8" flat glass gasket. See your Regency dealer.

MAINTENANCE

GLASS REPLACEMENT

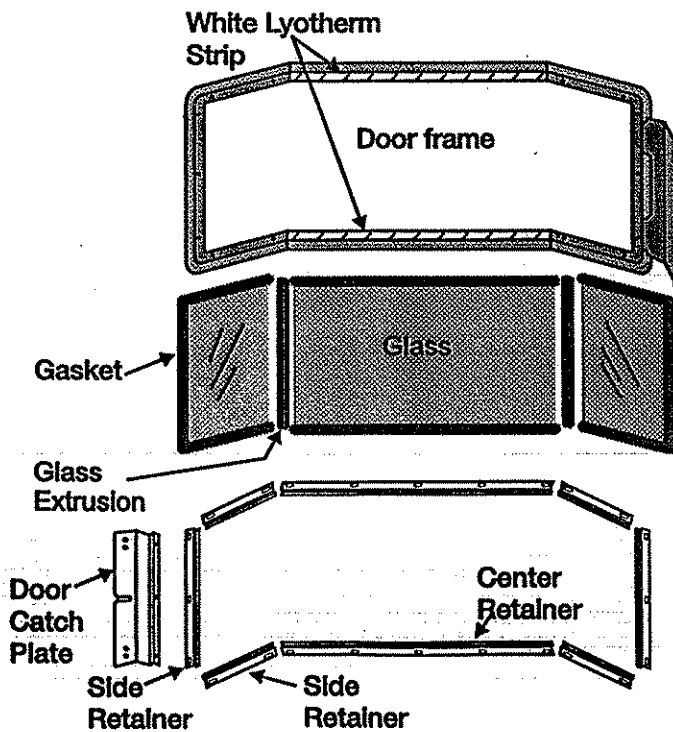
Your Regency stove is supplied with high temperature, 5 mm Neoceram ceramic glass that will withstand the highest heat that your unit will produce. In the event that you break your glass, purchase your replacement from an authorized Regency dealer only, and follow the step-by-step instructions for replacement.

MITRED DOOR

Removing Glass:

Note: Wearing gloves will protect your hands while handling glass.

- 1) Remove the door from the unit and place on a soft surface to prevent scratching.
- 2) Pull out the door gasket.
- 3) Remove the 24 nuts holding the glass retainers in place. *Do not remove the nuts underneath the retainers.*
- 4) Remove the door catch plate.
- 5) Remove glass retainers on sides first (3 each side) then remove two center retainers.

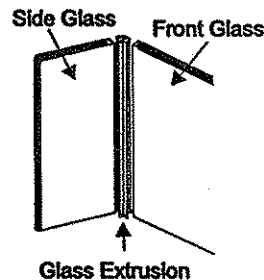


Note: Center glass retainers are glued to center glass.

- 6) Remove glass from extrusions. When removing center glass, leave white insulation in place.

Installing Glass

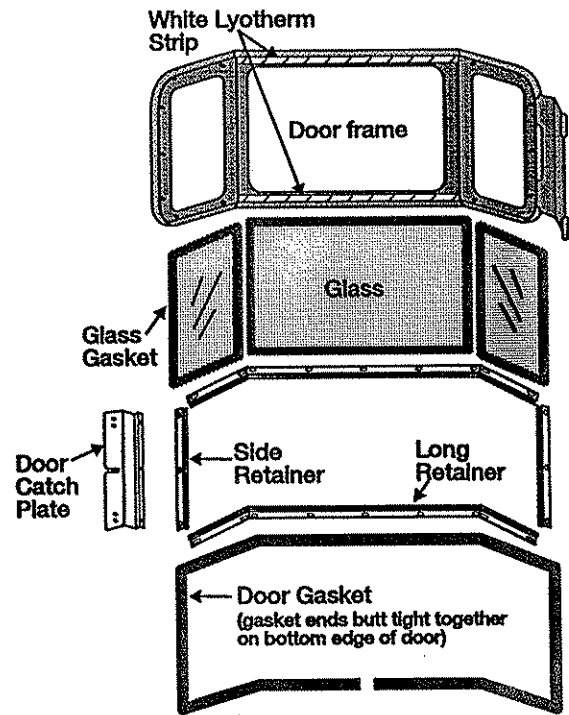
- 1) Install both center and side glass onto extrusions as per diagram.
- 2) Place glass assembly into door frame.
- 3) Install retainers by placing 1 drop of glue where previously glued and put in place.
- 4) Install side retainers.
- 5) Install door catch plate.
- 6) Install the 24 nuts loosely, do not tighten yet.
- 7) Tighten side panels nuts using the following procedure:
 - a. tighten top & bottom outside corner nuts (2)
 - b. tighten inside nuts (3)
 - c. tighten top & bottom inside corners (2)



- 8) Tighten the 10 nuts on center glass retainer.
- 9) Repeat step 7 for other side panel.
- 10) Replace new gasket by gluing it in place.
- 11) Install door onto stove and check the seal.

PANEL DOOR

- 1) Remove the door from the unit and place on a soft surface to prevent scratching.
- 2) Pull out the door gasket.
- 3) Remove the nuts holding the glass retainers in place.
- 4) Remove the glass retainers (sides, top and bottom) and the door catch plate.
- 5) Replace the glass. **The glass must have gasketing around it.**
- 6) Reverse the previous steps, replace the retainers and fasten with the nuts but do not overtighten, as this can break the glass. Note: the door catch plate fits on top of the left side retainer.
- 7) Put gasket glue on the retainers, but do not put glue on the screws. Replace the door gasket, the two ends butt tight together on the bottom edge of the door.
- 8) Replace door on the stove and check the seal.



MAINTENANCE

FAN MAINTENANCE

If your fan requires maintenance or replacement, access to the fan is through the access panel on the rear wall of the firebox.

Note: The unit **MUST NOT** be operated without the fan access panel securely in place and correctly sealed.

IMPORTANT: These fans collect a lot of dust from within your home. Ensure you maintain these fan motors on a regular basis by vacuuming out the fan squirrel cages and around the motor.

IMPORTANT

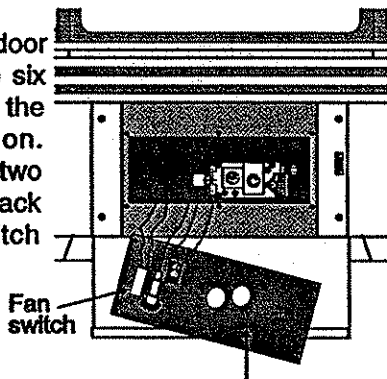
Disconnect power supply before servicing

WARNING: Electrical Grounding Instructions

This appliance is equipped with a three pronged (grounding) plug for your protection against shock hazard and should be plugged directly into a properly grounded three-prong receptacle. Do not cut or remove the grounding prong from this plug.

To remove U43 fan:

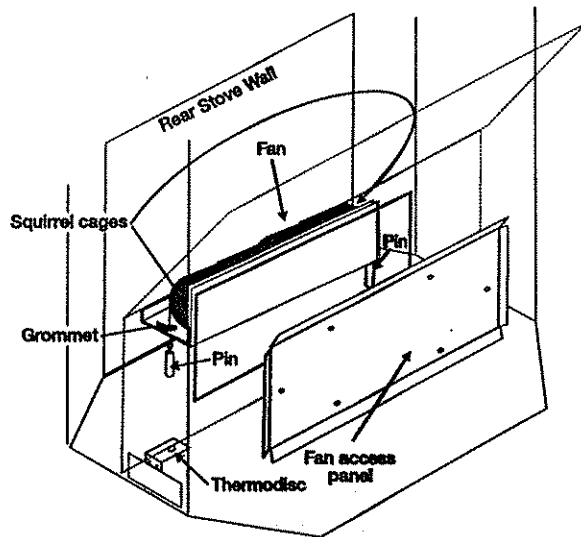
- 1) Unplug or disconnect power source to stove.
- 2) Open the left side panel door and disconnect the white wire from the thermodisc.
- 3) Open pedestal door and remove the six screws holding the control panel on. Disconnect the two wires from the back of the fan switch (marked with a "2").
- 4) Remove all logs and the rear log support, then remove the 6 screws holding the access panel in place.
- 5) Remove the green ground wire from the fan body.
- 6) Lift fan off of the 2 pins, tip back and pull through firebox opening.



Back of control panel

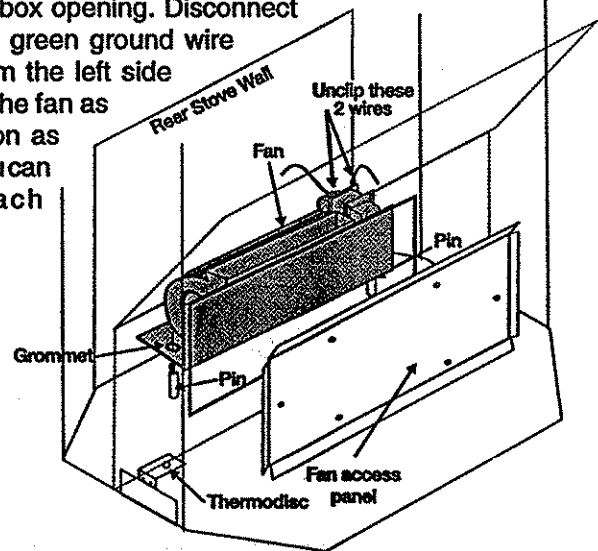
Replacing U43 fan:

Reverse steps (1-6 on removing the fan). If necessary install a new gasket before replacing the fan access panel (Part# 936-196). Make sure the fan switch wires are reattached. The wires are marked with a #2.



To remove U28 fan:

- 1) Unplug or disconnect power source to stove.
- 2) Remove all logs and the rear log support, then remove the 6 screws holding the access panel in place.
- 3) Unclip the black and white wires from the fan motor.
- 4) Lift fan off of the 2 pins, tip back and pull through firebox opening. Disconnect the green ground wire from the left side of the fan as soon as you can reach it.



Replacing U28 Fan:

Reverse the above steps (1 - 4). If necessary install a new gasket before replacing the fan access panel. Make sure the fan switch wires and the ground wire are reattached.

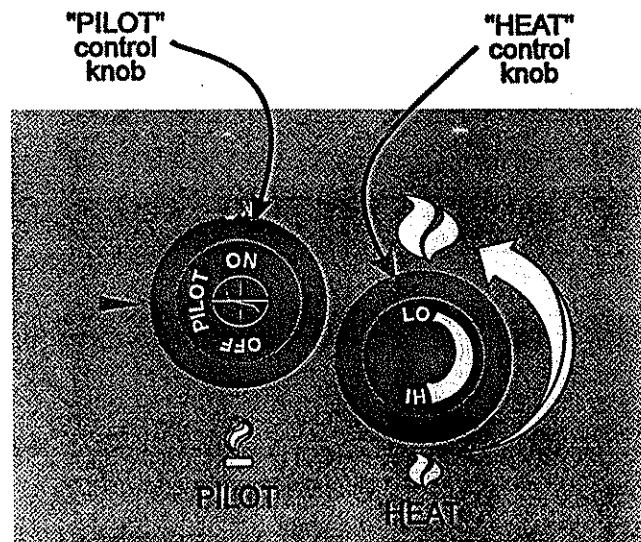
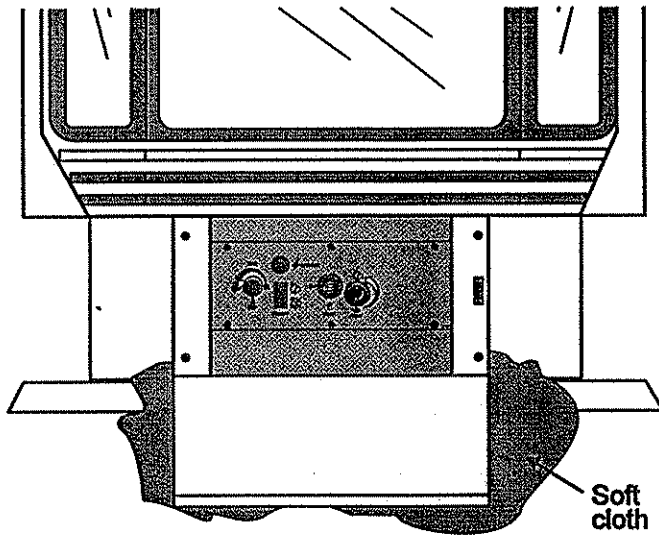
Hint for pushing fan down onto pins - rub a bit of dish soap on the pins so the grommets will slide down more easily. Check to make sure the fan is seated properly on the pins - try to move the fan back and forth, there should be no noise, if there is check that the grommets haven't come loose.

REMOVING VALVE

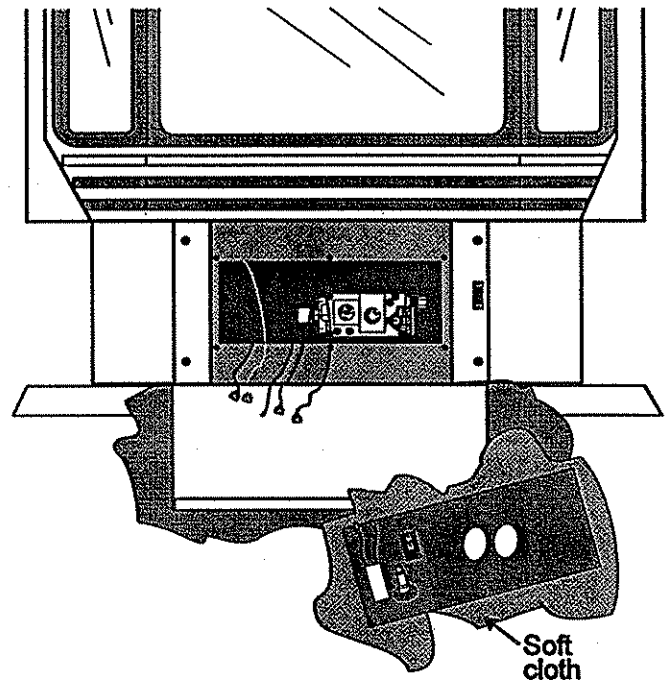
If your valve requires maintenance or replacement, follow these instructions:

NOTE: Always shut off the gas supply before removing the valve.

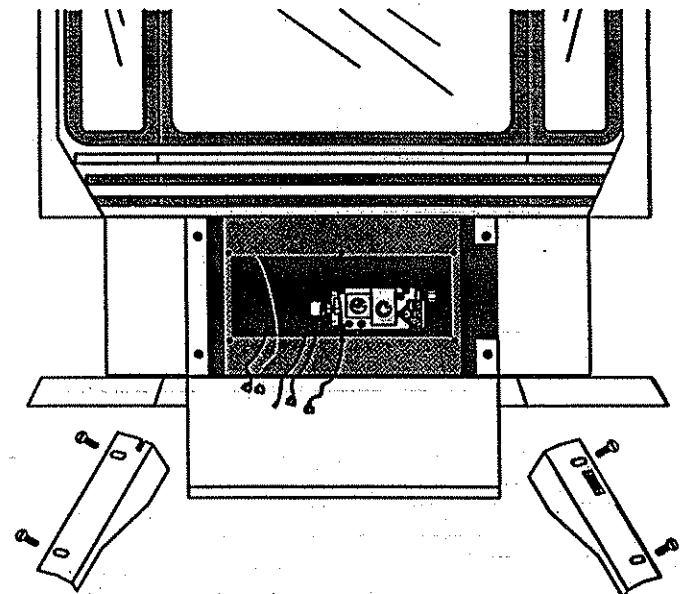
- 1) Open front pedestal door and unhook chain. You may want to put a soft cloth on the base of the unit so that when the pedestal door is open it doesn't scratch the paint. See diagram below.



- 2) Undo the six screws holding the control panel in place.
- 3) Disconnect all wires from the back of the panel and then remove panel. You should lay the panel on a soft cloth so it doesn't get marked up. See diagram below.



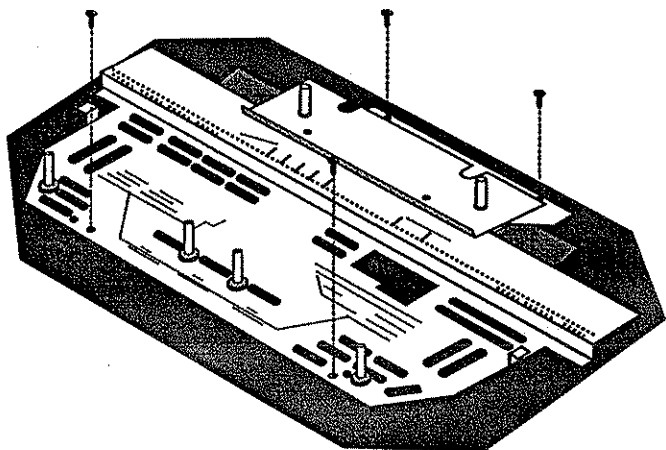
- 4) Remove the two outside frame pieces by removing two screws per side. See diagram below.



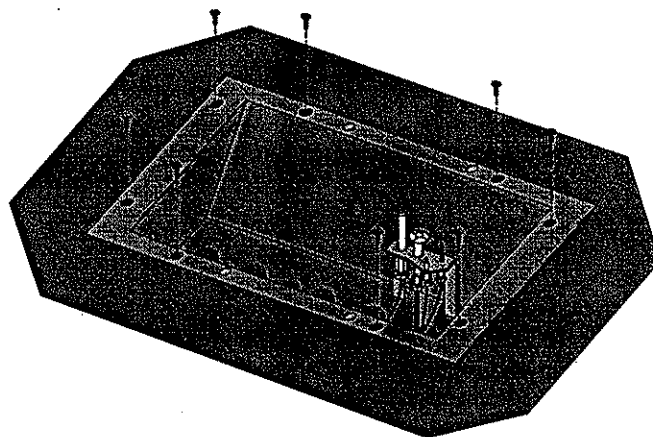
MAINTENANCE

- 5) Carefully remove the logs, embers and rockwool.
- 6) At this point you should disconnect the gas at the valve.
- 7) Remove the burner by removing the four 1/4" hex head screws. See diagram below.
- 8) Remove eight 1/4" hex head screws holding the burner tray assembly in place.

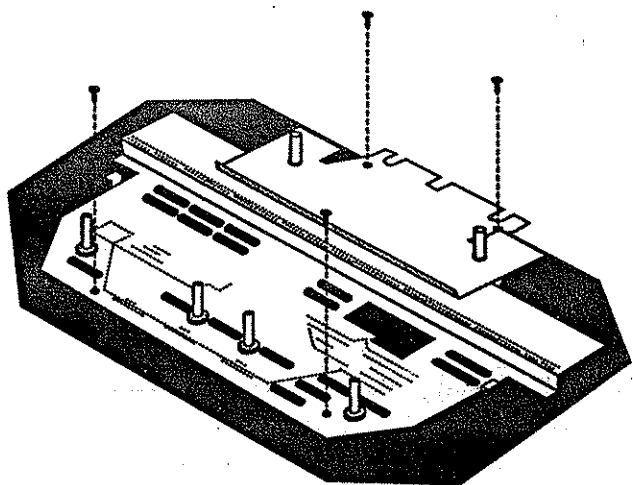
Note: Use a magnetic type screwdriver.



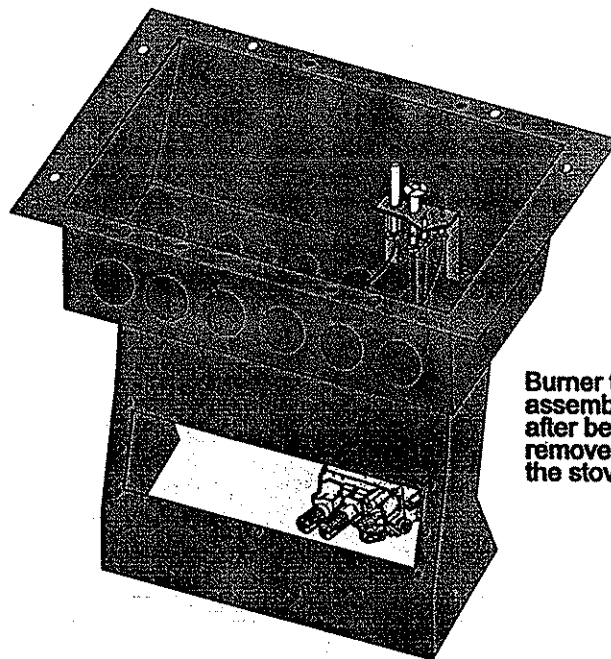
U43 Burner



- 9) Carefully lift the burner tray assembly out.



U28 Burner



Burner tray assembly, after being removed from the stove

- 10) To replace the burner tray assembly, simply reverse these instructions.

TROUBLESHOOTING THE GAS CONTROL SYSTEM

Note: Before troubleshooting the gas control system, be sure external gas shut off is in the "on" position.

• WARNING •

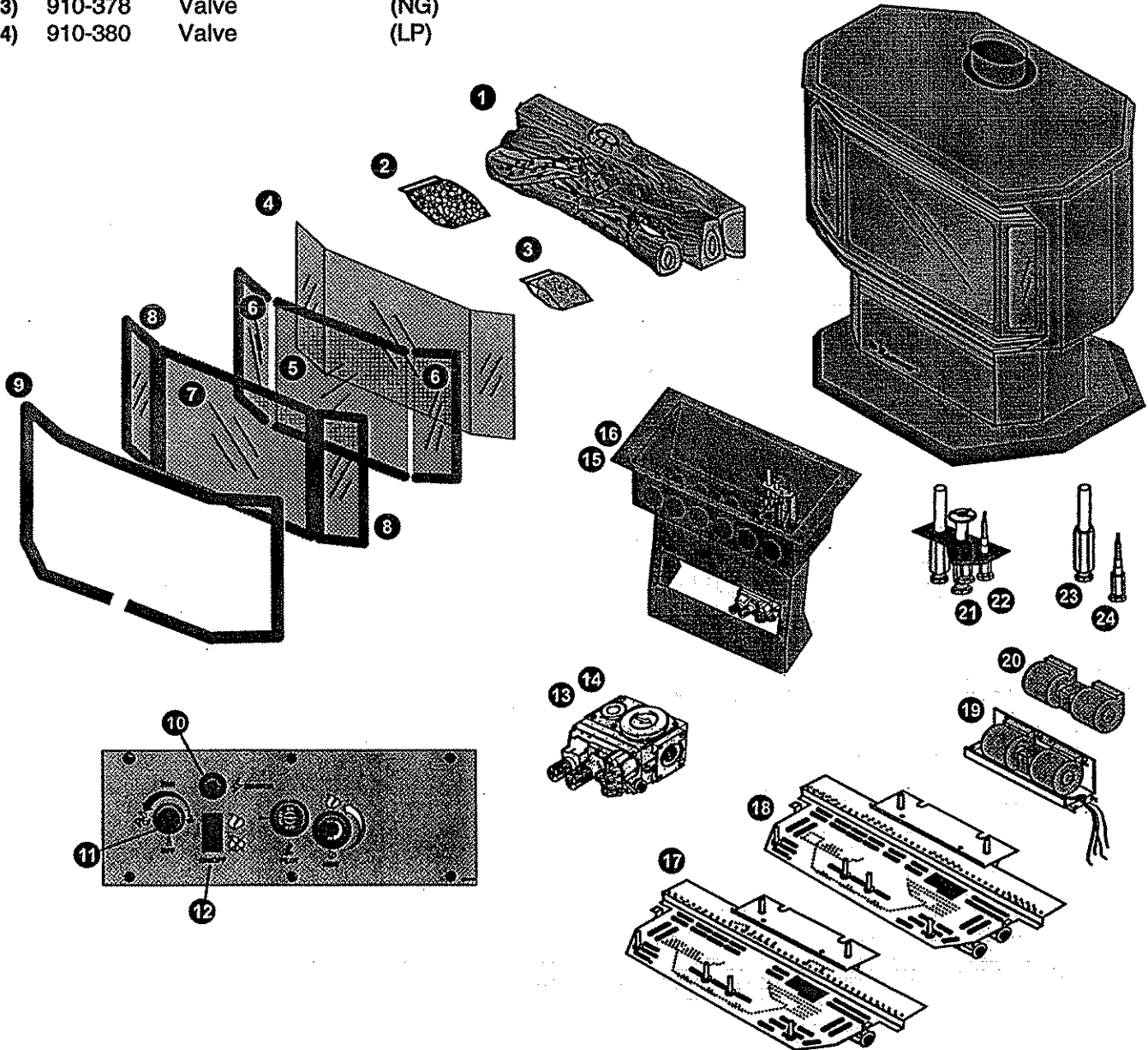
BEFORE DOING ANY GAS CONTROL SERVICE WORK, REMOVE THE GLASS FRONT.

TROUBLESHOOTING GUIDE		
PROBLEM	POSSIBLE CAUSES	CORRECTIVE ACTION
Spark igniter will not light pilot.	Piezo wire loose Defective Piezo igniter. Piezo wire grounding out. Electrode is grounding out and/or wrong location.	<ul style="list-style-type: none"> • Check for spark at electrode and pilot. If no spark, disconnect wire at electrode and put wire to ground and try igniter again. If still no spark follow Piezo wire to Piezo igniter to see where grounding may be occurring. • Bend electrode into pilot so gas may be able to contact spark.
Pilot will not stay lit after carefully following lighting instructions.	Defective thermopile. Defective thermocouple. Thermopile/thermocouple grounding out. Loose thermopile leads. TP-THTP on valve. Defective automatic gas valve.	<ul style="list-style-type: none"> • Check pilot flame, must impinge on thermopile and thermocouple. • Clean and/or adjust pilot so pilot is enveloped around thermopile and thermocouple. • Be sure wire connections at gas valve terminals are tight and thermopile and thermocouple are fully inserted into pilot bracket. • One of the switch wires may be grounded. May be grounded to gas appliance or gas supply. • Check thermopile with millivolt meter. Take reading at thermopile terminals of valve TP-TPTH. Should read 250 millivolts minimum while holding valve knob in pilot position with pilot on and wall switch/two way switch off. • Replace if lower than specified minimum. • Turn valve knob to on including pilot. Take reading at TP-TPTH with on/off switch in the on position. Reading should be 100mv or greater. If reading is okay and pilot does not hold, replace gas valve.
Pilot burning, no gas to burner. Valve knob is on. Wall switch is on.	Valve wire connections are loose. Valve wires are defective. Spill switch has not been reset (B-vent F/S). Spill switch is stuck in the open position. (B-vent INS - F/S).	<ul style="list-style-type: none"> • Check two way switch/wall switch for proper connections. Jumper wire across terminals at two way switch/wall switch. If burner comes on, replace switch. • If okay, jumper wire at valve at TH-THTP. If unit turns on, replace wires and/or check where loose wires are.
Frequent pilot outage problems.	Pilot flame may be too low or blowing high causing the pilot safety to drop out. Two way switch wires may be grounding out. Thermopile and/or thermocouple may be grounding out.	<ul style="list-style-type: none"> • Clean and/or adjust pilot for maximum flame impingement on thermopile and/or thermocouple. • Trace wires from valve to two way switch/wall switch for possible grounding against gas appliance and/or gas supply. • Trace thermopile wires from valve to thermopile for possible grounding against gas appliance and/or gas valve. • Follow same steps for thermocouple.
<p>Note: For service technicians only. See the Regency Troubleshooting Guide for more detailed information. (Troubleshooting Regency Gas Products - Part # 908-439.)</p>		

MAINTENANCE

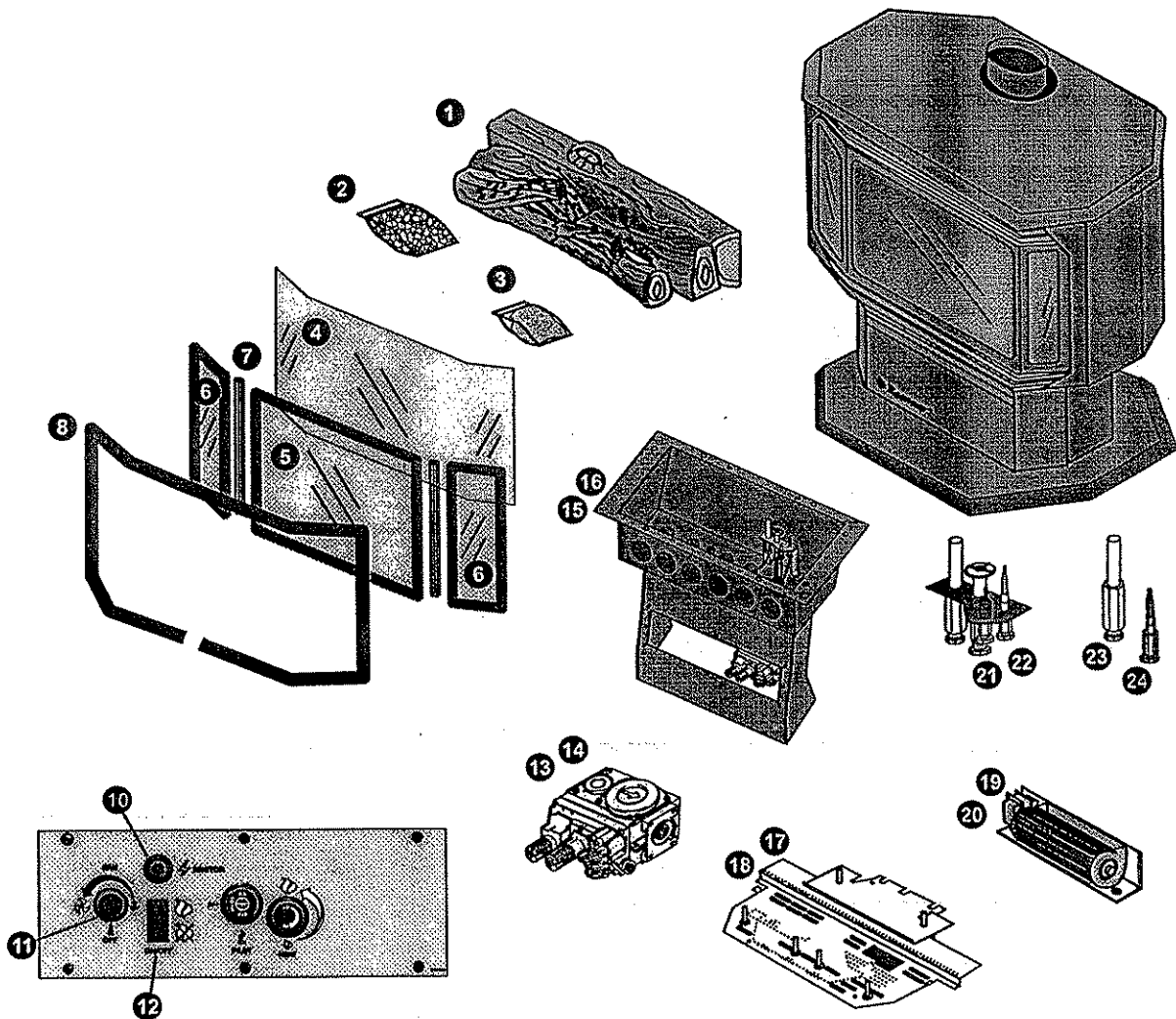
U43 REPLACEMENT / SPARE PARTS LIST

Part #	Name	Description	Part #	Name	Description
1)	650-933	Log Set	3 logs	15)	591-590/P Valve Assembly (NG)
2)	902-151	Embers	1 bag	16)	591-591/P Valve Assembly (LP)
3)	902-153	Rockwool	1 bag	17)	651-578/P Burner (NG)
4)	940-235	Wraparound Glass		18)	651-575/P Burner (LP)
5)	940-227	Mitred Glass	Large Center	19)	650-915 Fan Assembly
6)	940-226	Mitred Glass	Small Side (each)	20)	910-157 Fan Motor
7)	940-225	Panel Glass	Large Center	21)	910-384 Pilot Assembly (NG)
8)	940-226	Panel Glass	Small Side (each)	22)	910-385 Pilot Assembly (LP)
9)	650-920	Door Gasket		23)	910-341 Thermopile
10)	910-190	Piezo Ignitor		24)	910-386 Thermocouple
11)	910-330	Variable Speed Control			
12)	910-246	On/Off Switch			
13)	910-378	Valve	(NG)		
14)	910-380	Valve	(LP)		



U28 REPLACEMENT / SPARE PARTS LIST

Part #	Name	Description	Part #	Name	Description
1)	560-933	Log Set	3 logs	15)	560-520/P Valve Assembly (NG)
2)	902-151	Embers	1 bag	16)	560-523/P Valve Assembly (LP)
3)	902-153	Rockwool	1 bag	17)	560-510/P Burner (NG)
4)	940-238	Wraparound Glass		18)	560-515/P Burner (LP)
5)	940-237	Panel/Mitred Glass Large Center		19)	560-517 Fan Assembly
6)	940-236	Panel/Mitred Glass Small Side (each)		20)	910-331 Fan Motor
7)	560-032	Glass Extrusion		21)	910-384 Pilot Assembly (NG)
8)	650-920	Door Gasket		22)	910-385 Pilot Assembly (LP)
10)	910-190	Piezo Ignitor		23)	910-341 Thermopile
11)	910-330	Variable Speed Control		24)	910-386 Thermocouple
12)	910-246	On/Off Switch			
13)	910-378	Valve	(NG)		
14)	910-380	Valve	(LP)		



WARRANTY

Regency Fireplace Products are designed with reliability and simplicity in mind. In addition, our internal Quality Assurance Team carefully inspects each unit thoroughly before it leaves our door. Regency Industries Ltd. is pleased to extend this limited lifetime warranty to the original purchaser of a Regency Product.

The Warranty: Lifetime

Covered under the agreement are the following components:

Combustion chamber, heat exchanger, burner tubes, logs, embers, glass (thermal breakage) and all gold plating (against defective manufacture).

The above will be covered for parts and labour for the first five years and parts only thereafter.

Electrical components such as blowers, switches, wiring, thermodiscs, remote control, thermopiles, thermocouples and gas valves are covered for one year from the date of purchase.

Conditions:

All installations must be performed by a qualified gas fitter and installed according to all applicable local and national codes. Also, all service work must be carried out by a qualified gas service person. It is the responsibility of the installer to ensure that the appliance is firing as per rating plate. Any part or parts of this unit which in our judgement show evidence of such defect will be repaired or replaced at Regency's option, through an accredited distributor or agent provided that the defective part be returned to the distributor or agent **Transportation Prepaid**, if requested.

Exclusions:

This limited Lifetime Warranty does not extend to or include paint, door or glass gasketing or trim. It does not cover installation and operational related problems such as over-firing, downdrafts or spillage caused by environmental conditions, nearby trees, buildings, hilltops, mountains, inadequate venting or ventilation, excessive offsets, negative air pressures caused by insufficient make up air, mechanical systems such as furnaces, fans, clothes dryers etc.

The warranty does not extend to any part or parts which show evidence of misuse or abuse, neglect, accident or lack of maintenance.

Products made by other manufacturers and used in conjunction with the operation of this appliance without authorization from Regency, may nullify your warranty on this product.

Regency Industries Ltd., shall in no event be liable for any special, indirect consequential damages of any nature whatsoever which are in excess of the original purchase price of the product. Any alteration to the unit which causes sooting or carboning that results in damage to the exterior facia is not the responsibility of Regency Industries Ltd.

General:

It is essential that all submitted claims provide all of the necessary information including purchase date, serial #, type of unit and part or parts requested.

Please complete the information below for future reference.

DATE PURCHASED _____

MODEL NO. _____ SERIAL NO. _____

DEALERS NAME & ADDRESS _____
