



L390PB / HZI390PB Gas Insert

Owners & Installation Manual



www.regency-fire.com

MODELS: L390PB-NG2 / HZI390PB- NG2 Natural Gas

L390PB-LP2 / HZI390PB-LP2 Propane

WARNING:

Improper installation, adjustment, alteration, service or maintenance can cause injury or property damage. Refer to this manual. For assistance or additional information consult an authorized installer, service agency or the gas supplier.

FOR YOUR SAFETY

Do not store or use gasoline or other flammable vapours and liquids in the vicinity of this or any other appliance.

Installation and service must be performed by an authorized installer, service agency or the gas supplier.

FOR YOUR SAFETY

What to do if you smell gas:

- Do not try to light any appliance
- Do not touch any electrical switch: do not use any phone in your building.
- Immediately call your gas supplier from a neighbour's phone. Follow the gas supplier's instructions.
- If you cannot reach your gas supplier, call the fire department.

Tested by:




Installer: Please complete the details on the back cover and leave this manual with the homeowner.
Homeowner: Please keep these instructions for future reference.

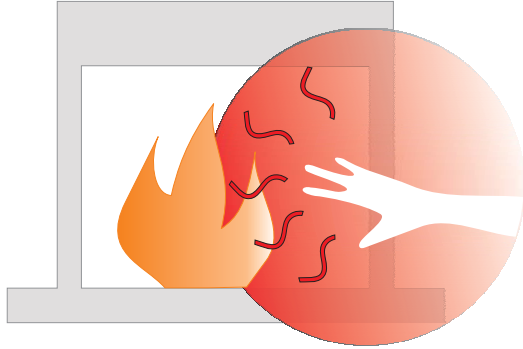
TO THE NEW OWNER

Congratulations! You are the owner of a state-of-the-art Gas Insert by Regency.

The Regency Gas Insert Series of hand crafted appliances has been designed to provide you with all the warmth and charm of a fireplace, at the flick of a switch. The models L390PB / HZI390PB of this series have been approved by Warnock Hersey for both safety and efficiency. As it also bears our own mark, it promises to provide you with economy, comfort and security for many trouble free years to follow.

Please take a moment now to acquaint yourself with these instructions and the many features of your Regency Fireplace.

 **WARNING**



**HOT GLASS WILL
CAUSE BURNS**

**DO NOT TOUCH GLASS
UNTIL COOLED**

**NEVER ALLOW CHILDREN
TO TOUCH GLASS**

**NATIONAL
FIREPLACE
INSTITUTE**
CERTIFIED
www.nficertified.org

We recommend that our products be installed and serviced by professionals who are certified in the U.S. by the National Fireplace Institute® (NFI) or in Canada by Wood Energy Technical Training (WETT).

**Wood Energy
Technical Training**
www.wettinc.ca

ONE REGENCY



ONE TREE TM

UNIT DIMENSIONS

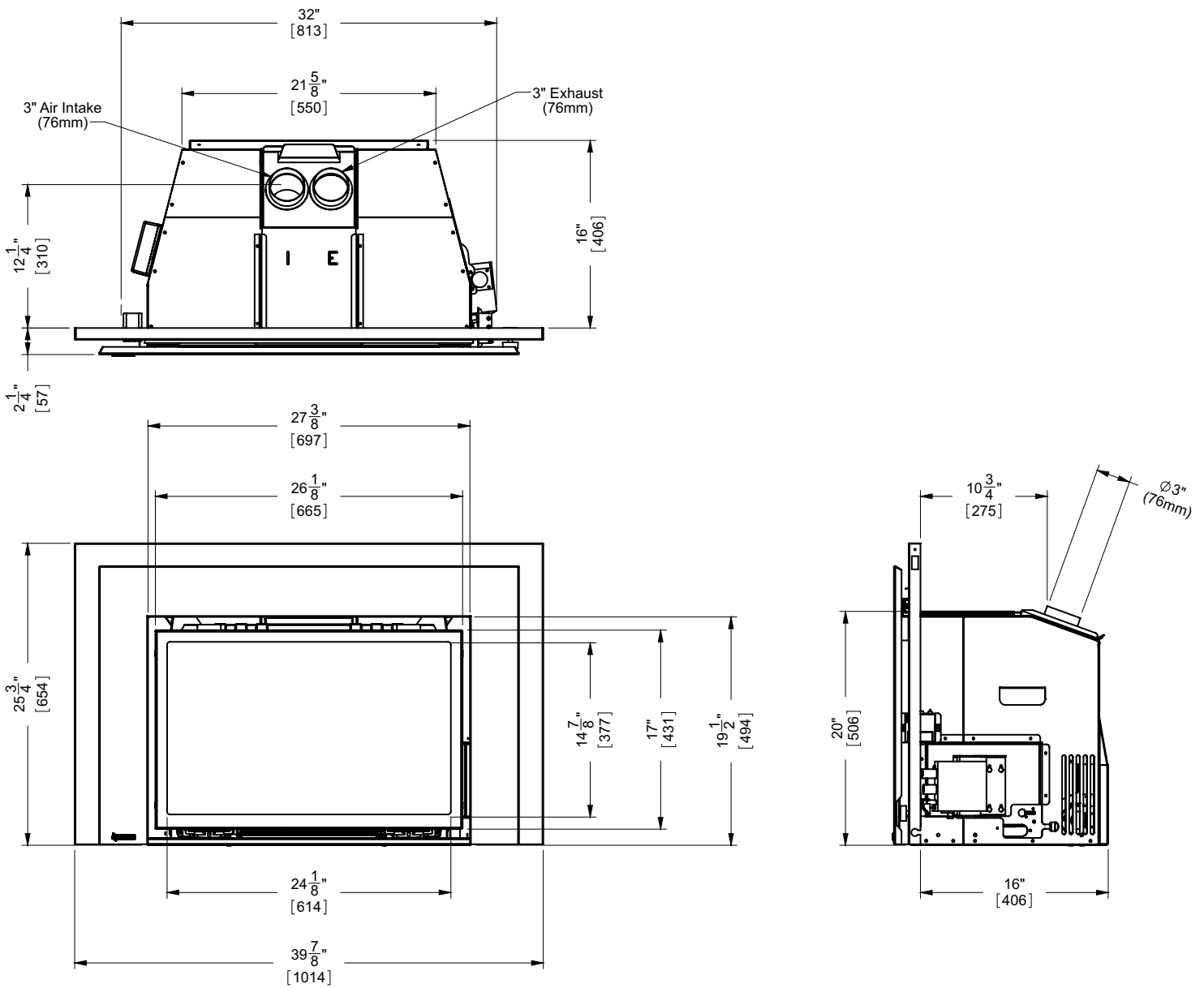


TABLE OF CONTENTS

DIMENSIONS

Unit dimensions	3
-----------------------	---

SAFETY LABEL

Copy of the Safety Label	5
--------------------------------	---

REQUIREMENTS

MA Code - CO Detector.....	7
----------------------------	---

INSTALLATION

Important Message	8
Before You Start	8
Important Message	9
For Your Safety.....	9
Specifications	9
Gas Pressure Testing	9
Installation Into A Solid Fuel Burning Fireplace Or Factory Built Fireplace.....	9
Before You Start	9
Installation Checklist.....	10
Materials Required	10
Minimum Fireplace Dimensions	10
Minimum Clearances to combustibles.....	11
Gas Connection.....	12
Venting.....	12
Flue / vent installation.....	13
Levelling leg adjustment.....	14
Air shutter Adjustment	15
High Elevation	16
Gas Line Installation	16
Gas Pipe Pressure Testing.....	16
820 S.I.T. Valve Description.....	16
Conversion from NG to LP	17
GT remote installation	19
GTM remote installation	20
GTMF remote installation	22
Wiring Diagrams	24
Wiring diagram for Gtmf remote	25
Optional Wall Thermostat	26
Optional Remote Control.....	26
Optional Wall Switch.....	26
Glass crystal / stone installation	27
Optional Pebbles / GLASS crystal Installation	27
HZI390PB optional log set installation	29
L390PB log set installation	31
Heat exchange return	34
Brick panel installation.....	35

Enamel panel installation.....	36
Glass door removal / installation	37
3 sided low profile faceplate installation	38
Optional Hearth Trim installation	39
Optional screen installation	40

OPERATING INSTRUCTIONS

Operating Instructions	41
Lighting Procedure	41
Shutdown Procedure.....	41
First Fire	41
Automatic Convection Fan Operation.....	41
Normal Operating Sounds Of Gas Appliances	42
Copy Of Lighting Instruction Plate	42

MAINTENANCE

Maintenance Instructions.....	43
Door Glass	43
Pilot Adjustment.....	44
General Vent Maintenance.....	44
Log Replacement	44
Glass Gasket.....	44
Glass crystal burner removal / installation HZI390PB	45
Glass Burner Removal	45
Glass Burner install	45
L390PB ceramic burner Removal / installation.....	46
Fan removal / installation.....	47
Fan Installation	47
Valve replacement	48

PARTS LIST




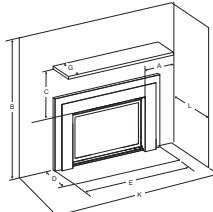

Main Assembly	49
Low profile faceplate	51

WARRANTY

Warranty	55
----------------	----

This is a copy of the labels that accompany each L390PB Gas Insert. We have printed a copy of the contents here for your review.

NOTE: **Regency units are constantly being improved. Check the label on the unit and if there is a difference, the label on the unit is the correct one.**

Duplicate Serial number		423																																
 Intertek 4001172	Listed: VENTED GAS FIREPLACE HEATER / FOYER AU GAZ À ÉVACUATION Certified for/Certifiée pour: CANADA and U.S.A. Tested to: CAN/CGA-2.17-M91(R2009) Conforms to: ANSI Z21.88a-2012 Certified to: CSA 2.33a-2012	DO NOT REMOVE THIS LABEL / NE PAS ENLEVER CETTE ÉTIQUETTE 423 Serial No. / No de serie																																
	 Model/Modèle: L390PB-NG2	NATURAL GAS FIREPLACE INSERT: MODEL L390PB-NG2 Factory Equipped For Altitude 0-4500ft. (0-1370m) <table border="0"> <tr><td>Min. supply pressure</td><td>5"</td><td>WC</td><td>(1.25 kpa)</td></tr> <tr><td>Low Setting Man. pressure</td><td>1.6"</td><td>WC</td><td>(0.41 kpa)</td></tr> <tr><td>Max. Manifold pressure</td><td>3.5"</td><td>WC</td><td>(0.87 kpa)</td></tr> <tr><td>Orifice size</td><td>#35</td><td>DMS</td><td></td></tr> <tr><td>Minimum input</td><td>22,000</td><td>Btu/h</td><td>(6.45 kW)</td></tr> <tr><td>Maximum input</td><td>31,000</td><td>Btu/h</td><td>(9.09 kW)</td></tr> </table>	Min. supply pressure	5"	WC	(1.25 kpa)	Low Setting Man. pressure	1.6"	WC	(0.41 kpa)	Max. Manifold pressure	3.5"	WC	(0.87 kpa)	Orifice size	#35	DMS		Minimum input	22,000	Btu/h	(6.45 kW)	Maximum input	31,000	Btu/h	(9.09 kW)	ÉQUIPÉ A L'USINE POUR GAZ NATURAL MODEL L390PB-NG2 Pression d'alimentation minimum Pression à la tubulure d'échappement basse Pression à la tubulure d'échappement élevée Dimensions de l'orifice Débit Calorifique minimum Débit Calorifique maximum							
Min. supply pressure	5"	WC	(1.25 kpa)																															
Low Setting Man. pressure	1.6"	WC	(0.41 kpa)																															
Max. Manifold pressure	3.5"	WC	(0.87 kpa)																															
Orifice size	#35	DMS																																
Minimum input	22,000	Btu/h	(6.45 kW)																															
Maximum input	31,000	Btu/h	(9.09 kW)																															
 Model/Modèle: L390PB-LP2	PROPANE GAS FIREPLACE INSERT: MODEL L390PB-LP2 Factory Equipped For Altitude 0-4500ft. (0-1370m) <table border="0"> <tr><td>Min. supply pressure</td><td>11"</td><td>WC</td><td>(2.73 kpa)</td></tr> <tr><td>Low Setting Man. pressure</td><td>6.4"</td><td>WC</td><td>(1.59 kpa)</td></tr> <tr><td>Max. Manifold pressure</td><td>10"</td><td>WC</td><td>(2.48 kpa)</td></tr> <tr><td>Orifice size</td><td>#53</td><td>DMS</td><td></td></tr> <tr><td>Minimum input</td><td>26,000</td><td>Btu/h</td><td>(7.62 kW)</td></tr> <tr><td>Maximum input</td><td>31,000</td><td>Btu/h</td><td>(9.09 kW)</td></tr> </table>	Min. supply pressure	11"	WC	(2.73 kpa)	Low Setting Man. pressure	6.4"	WC	(1.59 kpa)	Max. Manifold pressure	10"	WC	(2.48 kpa)	Orifice size	#53	DMS		Minimum input	26,000	Btu/h	(7.62 kW)	Maximum input	31,000	Btu/h	(9.09 kW)	ÉQUIPÉ A L'USINE POUR GAZ PROPANE MODEL L390PB-LP2 Pression d'alimentation minimum Pression à la tubulure d'échappement basse Pression à la tubulure d'échappement élevée Dimensions de l'orifice Débit Calorifique minimum Débit Calorifique maximum								
Min. supply pressure	11"	WC	(2.73 kpa)																															
Low Setting Man. pressure	6.4"	WC	(1.59 kpa)																															
Max. Manifold pressure	10"	WC	(2.48 kpa)																															
Orifice size	#53	DMS																																
Minimum input	26,000	Btu/h	(7.62 kW)																															
Maximum input	31,000	Btu/h	(9.09 kW)																															
Minimum Clearances to Combustibles from Insert <table border="0"> <tr><td>Side wall</td><td>A</td><td>6"</td><td>(152mm)</td></tr> <tr><td>Ceiling</td><td>B</td><td>60"</td><td>(1524mm)</td></tr> <tr><td>Mantel</td><td>C</td><td>24"</td><td>(610mm)</td></tr> <tr><td>Min. Alcove Width</td><td>K</td><td>54"</td><td>(1372mm)</td></tr> <tr><td>Max. Alcove Depth</td><td>L</td><td>36"</td><td>(914mm)</td></tr> </table>	Side wall	A	6"	(152mm)	Ceiling	B	60"	(1524mm)	Mantel	C	24"	(610mm)	Min. Alcove Width	K	54"	(1372mm)	Max. Alcove Depth	L	36"	(914mm)		Mantel Clearances <table border="0"> <tr><td>Min. Hearth Width</td><td>D</td><td>14"</td><td>(356mm)</td></tr> <tr><td>Min. Hearth Length</td><td>E</td><td>40"</td><td>(1016mm)</td></tr> <tr><td>Max. Mantle Depth</td><td>G</td><td>12"</td><td>(305mm)</td></tr> </table>	Min. Hearth Width	D	14"	(356mm)	Min. Hearth Length	E	40"	(1016mm)	Max. Mantle Depth	G	12"	(305mm)
Side wall	A	6"	(152mm)																															
Ceiling	B	60"	(1524mm)																															
Mantel	C	24"	(610mm)																															
Min. Alcove Width	K	54"	(1372mm)																															
Max. Alcove Depth	L	36"	(914mm)																															
Min. Hearth Width	D	14"	(356mm)																															
Min. Hearth Length	E	40"	(1016mm)																															
Max. Mantle Depth	G	12"	(305mm)																															
 Regency Fireplace Products, Delta BC, CANADA																																		
This appliance must be installed in accordance with local codes, if any; if none, follow the National Fuel Gas Code, ANSI Z223.1, or Natural Gas and Propane Installation Code, CSA B149.1. This appliance is only for use with the type of gas indicated on the rating plate. This appliance is not convertible for use with other gases unless a certified kit is used. This appliance is only for use with the type of gas indicated on the rating plate and may be installed in an aftermarket, permanently located, manufactured (mobile) home where not prohibited by local codes. See owner's manual for details. WARNING: This fireplace has been converted for use with a gas fireplace insert only and cannot be used for burning wood or solid fuels unless all original parts have been replaced, and the fireplace re-approved by the authority having jurisdiction. Installer l'appareil selon les codes ou règlements locaux, ou, en l'absence de tels règlements, selon les codes d'installation ANSI Z223.1, National Fuel Gas Code ou CSA-B149.1 en vigueur. Cet appareil doit être utilisé uniquement avec le type de gaz indiqué sur la plaque signalétique. Cet appareil peut être installé dans une maison préfabriquée ou mobile (E.-U. seulement) installée à demeure si les règlements locaux le permettent. Voir la notice de l'utilisateur pour plus de renseignements. Cet appareil ne peut pas être utilisé avec d'autres gaz sauf si une trousse de conversion certifiée est fournie. Cet appareil n'est pas convertible pour une utilisation avec d'autres gaz, sauf si un kit certifié est utilisé. Cet appareil doit être utilisé uniquement avec le type de gaz indiqué sur la plaque signalétique. Cet appareil peut être installé dans une maison préfabriquée ou mobile (E.-U. seulement) installée à demeure si les règlements locaux le permettent. Voir la notice de l'utilisateur pour plus de renseignements. AVERTISSEMENT : Ce foyer a été converti pour utilisation avec un foyer au gaz encastrable et ne peut être utilisé pour brûler du bois ou d'autres combustibles solides à moins que toutes les pièces d'origine aient été remplacées et que le foyer ait été approuvé de nouveau par l'autorité compétente. This vented gas fireplace heater is not for use with air filters. Ne pas utiliser de filtre à air avec ce foyer au gaz à évacuation. For use with glass doors certified with the appliance only. Pour utilisation uniquement avec les portes en verre certifiées avec l'appareil. For use only with barrier (Part # 397-929) Follow installation instructions. Pour l'utilisation seulement avec la Partie de barrière No. (397-929) Suivez les instructions d'installation.																																		
Electrical supply / Électrique 115VAC, 2.5 A, 60Hz, Less than 10A Fan Part # 911-071 VENTED GAS FIREPLACE HEATER - NOT FOR USE WITH SOLID FUELS. / FOYER AU GAZ À ÉVACUATION - NE PAS UTILISER AVEC DUCOMBUSTIBLE SOLIDE.																																		
919-274																																		

For the State of Massachusetts, installation and repair must be done by a plumber or gasfitter licensed in the Commonwealth of Massachusetts.

For the State of Massachusetts, flexible connectors shall not exceed 36 inches in length.




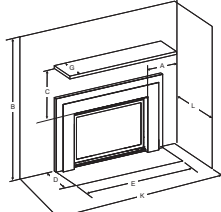

For the State of Massachusetts, the appliances individual manual shut-off must be a t-handle type valve.

The State of Massachusetts requires the installation of a carbon monoxide alarm in accordance with NFPA 720 and a CO alarm with battery back up in the same room where the gas appliance is installed.

SAFETY LABEL

This is a copy of the labels that accompany each HZI390PB Gas Insert. We have printed a copy of the contents here for your review.

NOTE: Regency units are constantly being improved. Check the label on the unit and if there is a difference, the label on the unit is the correct one.

Duplicate Serial number		424																																
 <p>Intertek 4001172</p>	<p>Listed: VENTED GAS FIREPLACE HEATER / FOYER AU GAZ À ÉVACUATION Certified for/Certifiée pour: CANADA and U.S.A. Tested to: CAN/CGA-2.17-M91(R2009) Conforms to: ANSI Z21.88a-2012 Certified to: CSA 2.33a-2012</p>	<p>DO NOT REMOVE THIS LABEL / NE PAS ENLEVER CETTE ÉTIQUETTE</p> <p>424</p> <p>Serial No. / No de serie</p>																																
 <p style="writing-mode: vertical-rl; transform: rotate(180deg);">Model/Modèle: HZI390PB-NG2</p>	<p>NATURAL GAS FIREPLACE INSERT: MODEL HZI390PB-NG2 ÉQUIPÉ A L'USINE POUR GAZ NATURAL Factory Equipped For Altitude 0-4500ft. (0-1370m) MODEL HZI390PB- NG2</p> <table border="0" style="width: 100%; font-size: small;"> <tr> <td>Min. supply pressure</td> <td>5"</td> <td>WC</td> <td>(1.25 kpa)</td> <td>Pression d'alimentation minimum</td> </tr> <tr> <td>Low Setting Man. pressure</td> <td>1.6"</td> <td>WC</td> <td>(0.41 kpa)</td> <td>Pression à la tubulure d'échappement basse</td> </tr> <tr> <td>Max. Manifold pressure</td> <td>3.5"</td> <td>WC</td> <td>(0.87 kpa)</td> <td>Pression à la tubulure d'échappement élevée</td> </tr> <tr> <td>Orifice size</td> <td>#35</td> <td>DMS</td> <td></td> <td>Dimensions de l'orifice</td> </tr> <tr> <td>Minimum input</td> <td>22,000</td> <td>Btu/h</td> <td>(6.45 kW)</td> <td>Débit Calorifique minimum</td> </tr> <tr> <td>Maximum input</td> <td>31,000</td> <td>Btu/h</td> <td>(9.09 kW)</td> <td>Débit Calorifique maximum</td> </tr> </table>	Min. supply pressure	5"	WC	(1.25 kpa)	Pression d'alimentation minimum	Low Setting Man. pressure	1.6"	WC	(0.41 kpa)	Pression à la tubulure d'échappement basse	Max. Manifold pressure	3.5"	WC	(0.87 kpa)	Pression à la tubulure d'échappement élevée	Orifice size	#35	DMS		Dimensions de l'orifice	Minimum input	22,000	Btu/h	(6.45 kW)	Débit Calorifique minimum	Maximum input	31,000	Btu/h	(9.09 kW)	Débit Calorifique maximum			
Min. supply pressure	5"	WC	(1.25 kpa)	Pression d'alimentation minimum																														
Low Setting Man. pressure	1.6"	WC	(0.41 kpa)	Pression à la tubulure d'échappement basse																														
Max. Manifold pressure	3.5"	WC	(0.87 kpa)	Pression à la tubulure d'échappement élevée																														
Orifice size	#35	DMS		Dimensions de l'orifice																														
Minimum input	22,000	Btu/h	(6.45 kW)	Débit Calorifique minimum																														
Maximum input	31,000	Btu/h	(9.09 kW)	Débit Calorifique maximum																														
 <p style="writing-mode: vertical-rl; transform: rotate(180deg);">Model/Modèle: HZI390PB-LP2</p>	<p>PROPANE GAS FIREPLACE INSERT: MODEL HZI390PB-LP2 ÉQUIPÉ A L'USINE POUR GAZ PROPANE Factory Equipped For Altitude 0-4500ft. (0-1370m) MODEL HZI390PB- LP2</p> <table border="0" style="width: 100%; font-size: small;"> <tr> <td>Min. supply pressure</td> <td>11"</td> <td>WC</td> <td>(2.73 kpa)</td> <td>Pression d'alimentation minimum</td> </tr> <tr> <td>Low Setting Man. pressure</td> <td>6.4"</td> <td>WC</td> <td>(1.59 kpa)</td> <td>Pression à la tubulure d'échappement basse</td> </tr> <tr> <td>Max. Manifold pressure</td> <td>10"</td> <td>WC</td> <td>(2.48 kpa)</td> <td>Pression à la tubulure d'échappement élevée</td> </tr> <tr> <td>Orifice size</td> <td>#53</td> <td>DMS</td> <td></td> <td>Dimensions de l'orifice</td> </tr> <tr> <td>Minimum input</td> <td>26,000</td> <td>Btu/h</td> <td>(7.62 kW)</td> <td>Débit Calorifique minimum</td> </tr> <tr> <td>Maximum input</td> <td>31,000</td> <td>Btu/h</td> <td>(9.09 kW)</td> <td>Débit Calorifique maximum</td> </tr> </table>	Min. supply pressure	11"	WC	(2.73 kpa)	Pression d'alimentation minimum	Low Setting Man. pressure	6.4"	WC	(1.59 kpa)	Pression à la tubulure d'échappement basse	Max. Manifold pressure	10"	WC	(2.48 kpa)	Pression à la tubulure d'échappement élevée	Orifice size	#53	DMS		Dimensions de l'orifice	Minimum input	26,000	Btu/h	(7.62 kW)	Débit Calorifique minimum	Maximum input	31,000	Btu/h	(9.09 kW)	Débit Calorifique maximum			
Min. supply pressure	11"	WC	(2.73 kpa)	Pression d'alimentation minimum																														
Low Setting Man. pressure	6.4"	WC	(1.59 kpa)	Pression à la tubulure d'échappement basse																														
Max. Manifold pressure	10"	WC	(2.48 kpa)	Pression à la tubulure d'échappement élevée																														
Orifice size	#53	DMS		Dimensions de l'orifice																														
Minimum input	26,000	Btu/h	(7.62 kW)	Débit Calorifique minimum																														
Maximum input	31,000	Btu/h	(9.09 kW)	Débit Calorifique maximum																														
<p>Minimum Clearances to Combustibles from Insert</p> <table border="0" style="width: 100%; font-size: small;"> <tr> <td>Side wall</td> <td>A</td> <td>6"</td> <td>(152mm)</td> </tr> <tr> <td>Ceiling</td> <td>B</td> <td>60"</td> <td>(1524mm)</td> </tr> <tr> <td>Mantel</td> <td>C</td> <td>24"</td> <td>(610mm)</td> </tr> <tr> <td>Min. Alcove Width</td> <td>K</td> <td>54"</td> <td>(1372mm)</td> </tr> <tr> <td>Max. Alcove Depth</td> <td>L</td> <td>36"</td> <td>(914mm)</td> </tr> </table>	Side wall	A	6"	(152mm)	Ceiling	B	60"	(1524mm)	Mantel	C	24"	(610mm)	Min. Alcove Width	K	54"	(1372mm)	Max. Alcove Depth	L	36"	(914mm)		<p>Mantel Clearances</p> <table border="0" style="width: 100%; font-size: small;"> <tr> <td>Min. Hearth Width</td> <td>D</td> <td>14"</td> <td>(356mm)</td> </tr> <tr> <td>Min. Hearth Length</td> <td>E</td> <td>40"</td> <td>(1016mm)</td> </tr> <tr> <td>Max. Mantle Depth</td> <td>G</td> <td>12"</td> <td>(305mm)</td> </tr> </table>	Min. Hearth Width	D	14"	(356mm)	Min. Hearth Length	E	40"	(1016mm)	Max. Mantle Depth	G	12"	(305mm)
Side wall	A	6"	(152mm)																															
Ceiling	B	60"	(1524mm)																															
Mantel	C	24"	(610mm)																															
Min. Alcove Width	K	54"	(1372mm)																															
Max. Alcove Depth	L	36"	(914mm)																															
Min. Hearth Width	D	14"	(356mm)																															
Min. Hearth Length	E	40"	(1016mm)																															
Max. Mantle Depth	G	12"	(305mm)																															
 <p>Regency Fireplace Products, Delta BC, CANADA</p>		<p>MADE IN CANADA /FABRIQUE AU CANADA</p>																																
<p>This appliance must be installed in accordance with local codes, if any; if none, follow the National Fuel Gas Code, ANSI Z223.1, or Natural Gas and Propane Installation Code, CSA B149.1. This appliance is only for use with the type of gas indicated on the rating plate. This appliance is not convertible for use with other gases unless a certified kit is used. This appliance is only for use with the type of gas indicated on the rating plate and may be installed in an aftermarket, permanently located, manufactured (mobile) home where not prohibited by local codes. See owner's manual for details WARNING: This fireplace has been converted for use with a gas fireplace insert only and cannot be used for burning wood or solid fuels unless all original parts have been replaced, and the fireplace re-approved by the authority having jurisdiction. Installer l'appareil selon les codes ou règlements locaux, ou, en l'absence de tels règlements, selon les codes d'installation ANSI Z223.1, National Fuel Gas Code ou CSA-B149.1 en vigueur. Cet appareil doit être utilisé uniquement avec le type de gaz indiqué sur la plaque signalétique. Cet appareil peut être installé dans une maison préfabriquée ou mobile (É.-U. seulement) installée à demeure si les règlements locaux le permettent. Voir la notice de l'utilisateur pour plus de renseignements. Cet appareil ne peut pas être utilisé avec d'autres gaz sauf si une trousse de conversion certifiée est fournie. Cet appareil n'est pas convertible pour une utilisation avec d'autres gaz, sauf si un kit certifié est utilisé. Cet appareil doit être utilisé uniquement avec le type de gaz indiqué sur la plaque signalétique. Cet appareil peut être installé dans une maison préfabriquée ou mobile (É.-U. seulement) installée à demeure si les règlements locaux le permettent. Voir la notice de l'utilisateur pour plus de renseignements. AVERTISSEMENT : Ce foyer a été converti pour utilisation avec un foyer au gaz encastrable et ne peut être utilisé pour brûler du bois ou d'autres combustibles solides à moins que toutes les pièces d'origine aient été remplacées et que le foyer ait été approuvé de nouveau par l'autorité compétente. This vented gas fireplace heater is not for use with air filters. Ne pas utiliser de filtre à air avec ce foyer au gaz à évacuation. For use with glass doors certified with the appliance only. Pour utilisation uniquement avec les portes en verre certifiées avec l'appareil. For use only with barrier (Part # 397-929) Follow installation instructions. Pour l'utilisation seulement avec la Partie de barrière No. (397-929) Suivez les instructions d'installation.</p>																																		
<p>Electrical supply / Électrique 115VAC, 2.5 A, 60Hz, Less than 10A. Fan Part # 911-071 VENTED GAS FIREPLACE HEATER - NOT FOR USE WITH SOLID FUELS. / FOYER AU GAZ À ÉVACUATION - NE PAS UTILISER AVEC DUCOMBUSTIBLE SOLIDE.</p>		919-276																																

For the State of Massachusetts, installation and repair must be done by a plumber or gasfitter licensed in the Commonwealth of Massachusetts.

For the State of Massachusetts, flexible connectors shall not exceed 36 inches in length.

For the State of Massachusetts, the appliances individual manual shut-off must be a t-handle type valve.

The State of Massachusetts requires the installation of a carbon monoxide alarm in accordance with NFPA 720 and a CO alarm with battery back up in the same room where the gas appliance is installed.

MA Code - CO Detector (for the State of Massachusetts only)

5.08: Modifications to NFPA-54, Chapter 10

(2) Revise 10.8.3 by adding the following additional requirements:

(a) For all side wall horizontally vented gas fueled equipment installed in every dwelling, building or structure used in whole or in part for residential purposes, including those owned or operated by the Commonwealth and where the side wall exhaust vent termination is less than seven (7) feet above finished grade in the area of the venting, including but not limited to decks and porches, the following requirements shall be satisfied:

1. **INSTALLATION OF CARBON MONOXIDE DETECTORS.** At the time of installation of the side wall horizontal vented gas fueled equipment, the installing plumber or gasfitter shall observe that a hard wired carbon monoxide detector with an alarm and battery back-up is installed on the floor level where the gas equipment is to be installed. In addition, the installing plumber or gasfitter shall observe that a battery operated or hard wired carbon monoxide detector with an alarm is installed on each additional level of the dwelling, building or structure served by the side wall horizontal vented gas fueled equipment. It shall be the responsibility of the property owner to secure the services of qualified licensed professionals for the installation of hard wired carbon monoxide detectors

a. In the event that the side wall horizontally vented gas fueled equipment is installed in a crawl space or an attic, the hard wired carbon monoxide detector with alarm and battery back-up may be installed on the next adjacent floor level.

b. In the event that the requirements of this subdivision can not be met at the time of completion of installation, the owner shall have a period of thirty (30) days to comply with the above requirements; provided, however, that during said thirty (30) day period, a battery operated carbon monoxide detector with an alarm shall be installed.

2. **APPROVED CARBON MONOXIDE DETECTORS.** Each carbon monoxide detector as required in accordance with the above provisions shall comply with NFPA 720 and be ANSI/UL 2034 listed and IAS certified.

3. **SIGNAGE.** A metal or plastic identification plate shall be permanently mounted to the exterior of the building at a minimum height of eight (8) feet above grade directly in line with the exhaust vent terminal for the horizontally vented gas fueled heating appliance or equipment. The sign shall read, in print size no less than one-half (1/2) inch in size, "**GAS VENT DIRECTLY BELOW. KEEP CLEAR OF ALL OBSTRUCTIONS**".

4. **INSPECTION.** The state or local gas inspector of the side wall horizontally vented gas fueled equipment shall not approve the installation unless, upon inspection, the inspector observes carbon monoxide detectors and signage installed in accordance with the provisions of 248 CMR 5.08(2)(a)1 through 4.

(b) **EXEMPTIONS:** The following equipment is exempt from 248 CMR 5.08(2)(a)1 through 4:

1. The equipment listed in Chapter 10 entitled "Equipment Not Required To Be Vented" in the most current edition of NFPA 54 as adopted by the Board; and

2. Product Approved side wall horizontally vented gas fueled equipment installed in a room or structure separate from the dwelling, building or structure used in whole or in part for residential purposes.

(c) **MANUFACTURER REQUIREMENTS - GAS EQUIPMENT VENTING SYSTEM PROVIDED.** When the manufacturer of Product Approved side wall horizontally vented gas equipment provides a venting system design or venting system components with the equipment, the instructions provided by the manufacturer for installation of the equipment and the venting system shall include:

1. Detailed instructions for the installation of the venting system design or the venting system components; and

2. A complete parts list for the venting system design or venting system.

(d) **MANUFACTURER REQUIREMENTS - GAS EQUIPMENT VENTING SYSTEM NOT PROVIDED.** When the manufacturer of a Product Approved side wall horizontally vented gas fueled equipment does not provide the parts for venting the flue gases, but identifies "special venting systems", the following requirements shall be satisfied by the manufacturer:

1. The referenced "special venting system" instructions shall be included with the appliance or equipment installation instructions; and

2. The "special venting systems" shall be Product Approved by the Board, and the instructions for that system shall include a parts list and detailed installation instructions.

(e) A copy of all installation instructions for all Product Approved side wall horizontally vented gas fueled equipment, all venting instructions, all parts lists for venting instructions, and/or all venting design instructions shall remain with the appliance or equipment at the completion of the installation.

INSTALLATION

IMPORTANT MESSAGE SAVE THESE INSTRUCTIONS

The L390PB / HZI390PB Gas Inserts must be installed in accordance with these instructions. Carefully read all the instructions in this manual first. Consult the "authority having jurisdiction" to determine the need for a permit prior to starting the installation. It is the responsibility of the installer to ensure this fireplace is installed in compliance with manufacturers instructions and all applicable codes.

BEFORE YOU START

Safe installation and operation of this appliance requires common sense, however, we are required by the Canadian Safety Standards and ANSI Standards to make you aware of the following:

INSTALLATION AND REPAIR SHOULD BE DONE BY AN AUTHORIZED SERVICE PERSON. THE APPLIANCE SHOULD BE INSPECTED BEFORE USE AND AT LEAST ANNUALLY BY A PROFESSIONAL SERVICE PERSON. MORE FREQUENT CLEANING MAY BE REQUIRED DUE TO EXCESSIVE LINT FROM CARPETING, BEDDING MATERIAL, ETC. IT IS IMPERATIVE THAT CONTROL COMPARTMENTS, BURNERS AND CIRCULATING AIR PASSAGEWAYS OF THE APPLIANCE BE KEPT CLEAN.

DUE TO HIGH TEMPERATURES, THE APPLIANCE SHOULD BE LOCATED OUT OF TRAFFIC AND AWAY FROM FURNITURE AND DRAPERIES.

WARNING: FAILURE TO INSTALL THIS APPLIANCE CORRECTLY WILL VOID YOUR WARRANTY AND MAY CAUSE A SERIOUS HOUSE FIRE.

CHILDREN AND ADULTS SHOULD BE ALERTED TO THE HAZARDS OF HIGH SURFACE TEMPERATURES, ESPECIALLY THE FIREPLACE GLASS, AND SHOULD STAY AWAY TO AVOID BURNS OR CLOTHING IGNITION.



YOUNG CHILDREN SHOULD BE CAREFULLY SUPERVISED WHEN THEY ARE IN THE SAME AREA AS THE APPLIANCE. TODDLERS, YOUNG CHILDREN AND OTHERS MAY BE SUSCEPTIBLE TO ACCIDENTAL CONTACT BURNS. A PHYSICAL BARRIER IS RECOMMENDED IF THERE ARE AT RISK INDIVIDUALS IN THE HOUSE. TO RESTRICT ACCESS TO A FIREPLACE OR STOVE, INSTALL AN ADJUSTABLE SAFETY GATE TO KEEP TODDLERS, YOUNG CHILDREN AND OTHER AT RISK INDIVIDUALS OUT OF THE ROOM AND AWAY FROM HOT SURFACES.

CLOTHING OR OTHER FLAMMABLE MATERIAL SHOULD NOT BE PLACED ON OR NEAR THE APPLIANCE.

IMPORTANT MESSAGE SAVE THESE INSTRUCTIONS

The Regency Gas Insert must be installed in accordance with these instructions. Carefully read all the instructions in this manual first. Consult the building authority having jurisdiction to determine the need for a permit prior to starting the installation.

NOTE: Failure to follow the instructions could cause a malfunction of the heater which could result in death, serious bodily injury, and/or property damage. Failure to follow these instructions may also void your fire insurance and/or warranty.

FOR YOUR SAFETY

This appliance requires air for proper combustion. Always provide adequate combustion and ventilation air. Follow instructions and information in CAN/CGA B149 (in Canada) or the National Fuel Gas Code ANSI Z223.1 (in the USA), regarding requirements for combustion and ventilation air.

SPECIFICATIONS

At pressures over 1/2 psig, the pipe to the unit must be disconnected.

Gas Input Capacity:

Natural Gas	31,000	Btu/h
Propane	31,000	Btu/h

Min. Input (with Proflame GTM or GTMF remote)

Natural Gas	22,000	Btu/h
Propane	26,000	Btu/h

Fuels: Approved for use with both natural gas, and propane. Approved as is for use at 0' to 4,500' (0-1370m).

Electrical: 120V A.C. system.

Circulation Fan: Variable speed, 140 CFM.

Log Set: Ceramic fibre, 6 per set - L390PB

Glass Crystals: 7lbs of glass crystals - HZI390PB

Vent System: 3" co-linear aluminum flex.

The efficiency rating of the appliance is a product thermal efficiency rating determined under continuous operating conditions and was determined independent of any installed system.

GAS PRESSURE TESTING

The appliance must be isolated from the gas supply piping system by closing its individual manual shut off valve during any pressure testing of the gas supply piping system at test pressures equal to or less than 1/2 psig. (3.45 kPa).

INSTALLATION INTO A SOLID FUEL BURNING FIREPLACE OR FACTORY BUILT FIREPLACE

The L390PB / HZI390PB Gas Inserts have been tested and approved to be vented into any masonry fireplace or approved solid fuel burning factory built fireplace that will allow the insert to physically fit into the firebox. Refer to "Minimum Fireplace Dimensions" section for minimum fireplace clearances.

If the factory built fireplace* height is too low for your Insert, you may remove the smoke baffle plate, damper, refractory (firebricks), glass doors, screen rails, screen mesh and log grates from the factory built fireplace as long as these items are saved and are reinstalled in the event that the Insert is removed.

Smoke shelves, shields and baffles may be removed if attached by mechanical fasteners. If any part is removed it must not weaken the structural integrity of the factory built fireplace.

NOTE: Any alterations made to the listed solid fuel burning factory built fireplace may void the listing of the fireplace.

*Check with your local inspector before commencing with this installation.

Installer must mechanically attach the supplied label to the inside of the firebox of the fireplace into which the gas fireplace insert is installed.

"WARNING: This fireplace has been converted for use with a gas fireplace insert only and cannot be used for burning wood or solid fuels unless all original parts have been replaced, and the fireplace re-approved by the authority having jurisdiction."

BEFORE YOU START

Safe installation and operation of this appliance requires common sense, however, we are required by the Canadian Safety Standards and ANSI Standards to make you aware of the following:

General Safety Information

- 1) The appliance installation must conform with local codes or in the absence of local codes, with CAN/CGA B149 (in Canada) or the National Fuel Gas Code ANSI Z223.1 in the U.S.A. This appliance should be installed by a qualified gas fitter technician only.
- 2) **Installation and repair should be done by a qualified service person.**
- 3) The appliance should be inspected before use and at least annually by a professional service person. More frequent cleaning may be required due to excessive lint from carpeting, bedding material, animal hair, etc. It is imperative that control compartments, burners and circulating air passageways of the appliance be kept clean.
- 4) See general construction and assembly instructions. This appliance may only be installed in a vented, noncombustible fireplace.
- 5) This appliance is Listed for bedroom installations when used with a Listed Millivolt Thermostat. Some areas may have further requirements, check local codes before installation.
- 6) Always connect this insert to a vent system venting to the outside of the building envelope. Never vent to another room or inside a building. Make sure that the vent is properly sized and is of adequate height to provide the proper draft.
- 7) Inspect the venting system annually for blockage and any signs of deterioration.
- 8) Any glass removed for servicing must be replaced prior to operating the appliance.
- 9) To prevent injury, do not allow anyone who is unfamiliar with the operation to use the fireplace.
- 10) Due to high temperatures, the appliance should be located out of high traffic areas and away from furniture and draperies. Children and adults should be alerted to the hazards of high surface temperatures, especially the fireplace glass and gold trims, and should stay away to avoid burns or clothing ignition. Young children should be carefully supervised when they are in the same room as the appliance. Clothing or other flammable material should not be placed on or near the appliance.

Emissions from burning wood or gas could contain chemicals known to the State of California to cause cancer, birth defects or other reproductive harm.

INSTALLATION

INSTALLATION CHECKLIST

Before installing vent system ensure that the damper plate is open and secure to prevent the damper plate from falling down and crushing the liner.

The Regency Gas Insert is installed as listed.

- 1) Check all clearances to combustibles, (Refer to sections "Minimum Fireplace Dimensions and Clearances to Combustibles")
- 2) Make the gas connection. (Refer to section "Gas Connection")
- 3) Install the two 3" flue liners (intake and exhaust) to the sliding connector plate. (Refer to section "Flue Liner Installation.")
- 4) Slide the unit half way into the fireplace.
- 5) Pull the vent connector plate through the tapered brackets and fasten to the front plate. Refer to section "Flue Liner Installation.")
- 6) Slide the unit fully into the fireplace. Level if necessary.
- 7) Test gas pressure (Refer to section "Gas Pipe Pressure Testing"). Check aeration system (Refer to section "Gas Insert Aeration System").
- 8) Install standard and optional features. Refer to the following sections:
 - a. Brick Panels
 - b. Enamel Panels
 - c. Log Set
 - d. Glass Crystals
 - e. Stones
 - f. Low Profile Faceplate
 - g. Optional Screen
 - h. Wall Thermostat
 - i. Remote Control
- 9) **Final check:** Before leaving this unit with the customer, the installer must ensure that the appliance is firing correctly. This includes:
 - a) Clocking the appliance to ensure the correct firing rate.
 - b) Adjusting the primary air, if required, to ensure that the flame does not carbon. See "Gas Insert Aeration System" section.
 - c) Ensuring that the appliance is venting correctly.

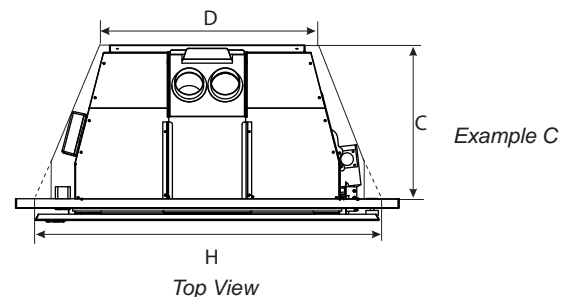
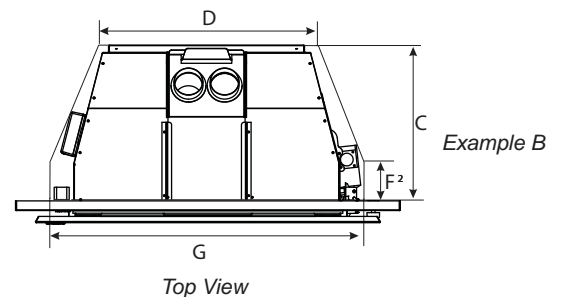
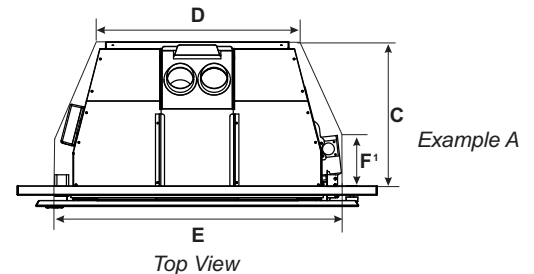
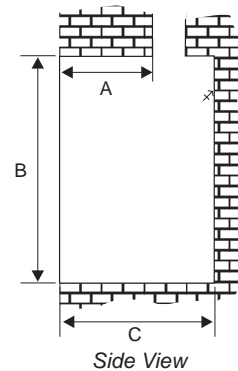
MATERIALS REQUIRED

No electrical power supply is required for the gas control to operate, however a AA battery is required for the DC sparker. A 120 Volt AC power cord is hooked up to the fan. Plug the 3 wire cord into a suitable receptacle. **Do not cut the ground terminal off under any circumstances.** When connected with 120 volts, the appliance must be electrically grounded in accordance with local codes, current version of CSA C22.1 (in Canada) or in the absence of local codes, with the National Electrical Code ANSI/NFPA 70-1987.

MINIMUM FIREPLACE DIMENSIONS

The minimum fireplace clearances & dimensions for the Regency gas insert are shown in the following diagrams:

	Max Lintel Bar Depth A	Height B	Overall Depth C	Width (rear) D	Width (front)* E	Front Depth (prior to taper) F ¹	Width (front)* G	Front Depth (prior to taper) F ²	Front Depth H
Low Profile Faceplate	10"	20"	16-1/8"	22"	32"	5-1/2"	33	3-1/2"	36"



MINIMUM CLEARANCES TO COMBUSTIBLES

The clearances listed below are Minimum distances unless otherwise stated:

A major cause of fires is failure to maintain required clearances (air space) to combustible materials. It is of the greatest importance that this decorative gas appliance be installed only in accordance with these instructions.

Clearance:	Dimension	Measured From:
A: Sides	6" / 152 mm	From inside edge of faceplate / doors
B: Ceiling	60" / 1524 mm	From top of unit
C: Mantel (Min. Height)	*12" / 305mm 15" / 381mm	From top of unit, or 32" from bottom of unit From top of unit, or 35" from bottom of unit
D: Min. Hearth Depth	14" / 356mm	
E: Min. Hearth Length	40" / 1016mm	
G: Max. Mantle Depth	0 -12" / 305 mm	@ 44" (1118mm) from bottom of unit
K: Min. Alcove Width	54" / 1372 mm	
L: Max. Alcove Depth	36" / 914 mm	
M: Mantel Deflector	3-1/2" / 89mm	

NOTE: 40" (1016MM) wide x 14" (356mm) deep hearth is required, unless the unit is raised 6" (152.4 mm) off the floor surface.

*An optional 3-1/2" deflector, reduces the mantel height to 32" from bottom of unit @ 1" depth.

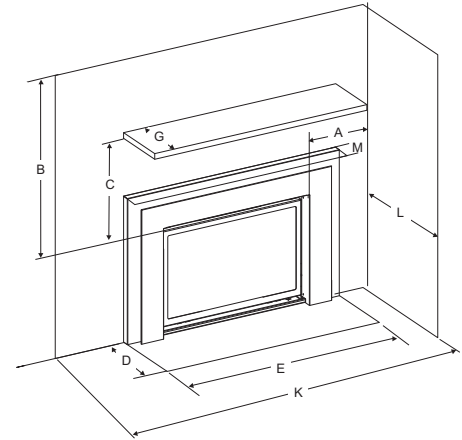


Diagram 1

MANTEL CLEARANCES WITHOUT DEFLECTOR

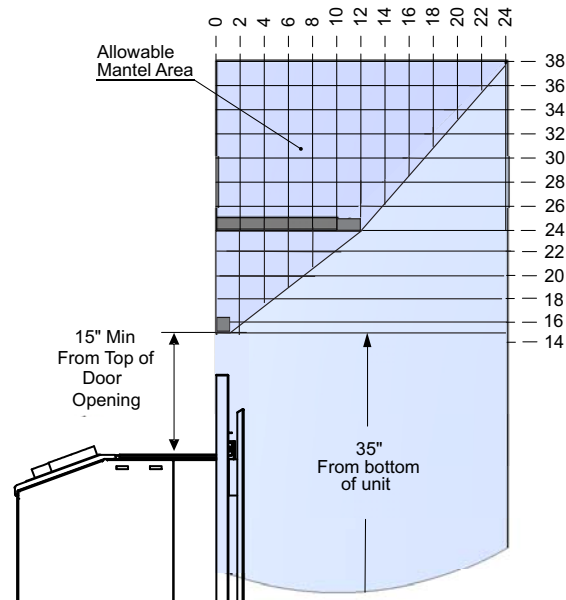


Diagram 2

MANTEL CLEARANCES WITH 3-1/2" DEFLECTOR

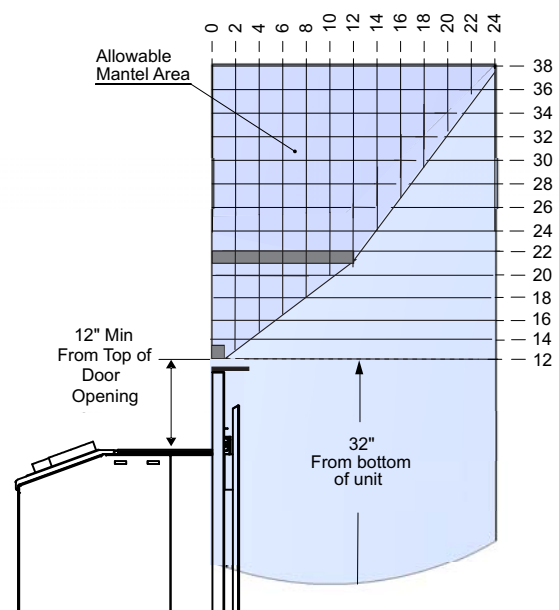


Diagram 3

WARNING

Although this appliance passes safety certification, the hearth in front of the fireplace becomes very hot when the fireplace heats. Do not use the hearth as a seat or shelf.

Note: A 3-1/2" mantel deflector to reduce mantel height to 32" from bottom of unit @ 1" depth.

A noncombustible mantel may be installed at a lower height if the framing is made of metal studs covered with a noncombustible board.

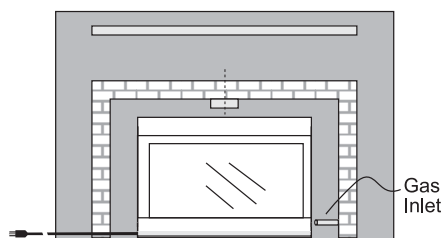
Note: All material used must be completely non-combustible.

INSTALLATION

GAS CONNECTION

GAS CONNECTION WARNING:
Only persons licensed to work with gas piping may make the necessary gas connections to this appliance.

- 1) If the appliance is to be installed into an existing chimney system, thoroughly clean the masonry or factory built fireplace.
- 2) The appliance is provided with an opening on the right hand side of the control compartment. A 3/8" NPT gas supply pipe must be brought near this inlet hole.
- 3) Locate the center point where the vent will pass through the chimney above the appliance. Move the appliance into the exact location where it is to be installed. Ensure that the Insert is level.
- 4) Do not cut any sheet-metal parts of the fireplace, in which the gas fireplace insert is to be installed.
- 5) If the factory-built fireplace has no gas access hole(s) provided, an access hole of 1-1/2" (37.5mm) or less may be drilled through the lower sides or bottom of the firebox in a proper workmanship like manner. This access hole must be plugged with a non-combustible insulation after the gas supply line has been installed.



VENTING

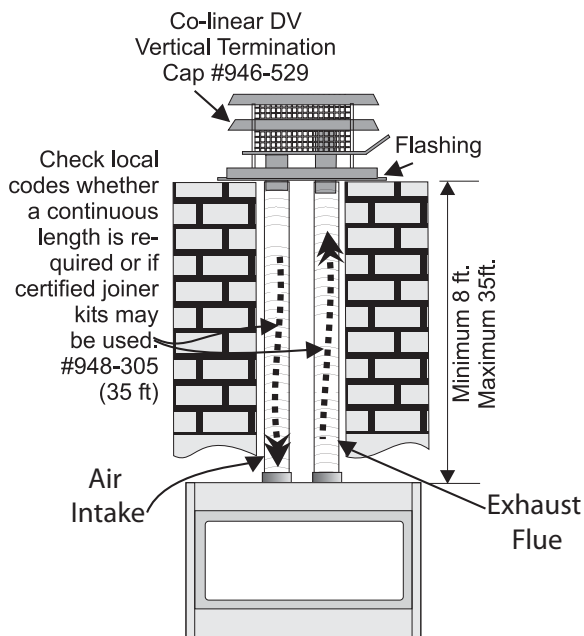
THE APPLIANCE MUST NOT BE CONNECTED TO A CHIMNEY FLUE SERVING A SEPARATE SOLID FUEL BURNING APPLIANCE.

This appliance is designed to be attached to two 3" (76mm) co-linear aluminium flex running the full length of the chimney. The flue length must be a minimum length of 8' (2.44m) and a maximum of 35' (10.7m). See chart for minimum distances from roof. Periodically check that the vent is unrestricted.

Masonry chimneys may take various contours which the flexible liner will accommodate. However, **keep the flexible liner as straight as possible**, avoid unnecessary bending.

The Air Intake pipe must be attached to the inlet air collar of the termination cap.

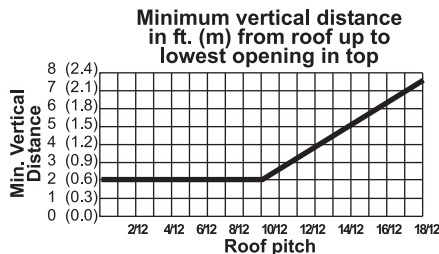
Part #	Description
948-305	3" Flex - 35 ft.
946-529	Co-linear DV Vertical Termination Cap



Alternate Approved Caps

- 46DVA-VC Vertical Termination Cap
- 46DVA-VCH High Wind Cap
- 46DVA-GK 3" Co-linear Adaptor with flashing

In areas of consistently high winds, we recommend using the Simpson Dura-Vent System (46DVA-GK adaptor and 46DVA-VCH high-wind cap). The Air Intake pipe must be attached to the inlet air collar of the termination cap.



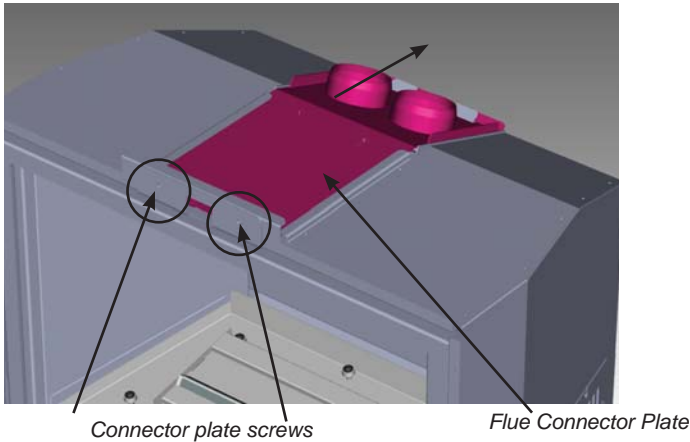
Gas & Electrical Connections

FLUE / VENT INSTALLATION

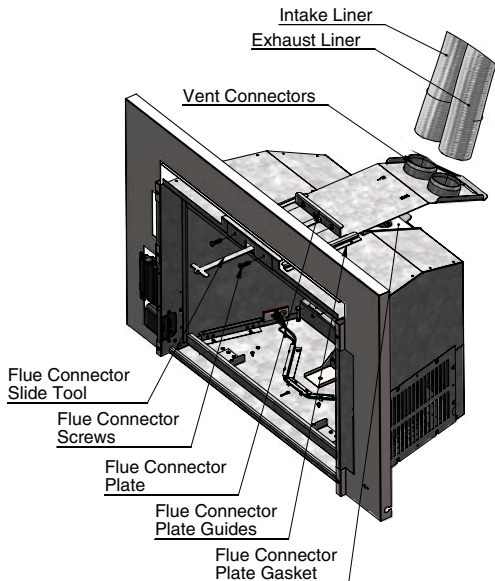


NOTE: Flue Plate Connector Gasket must not be damaged or removed. Care must be taken to ensure that this gasket remains intact to prevent flue leakage.

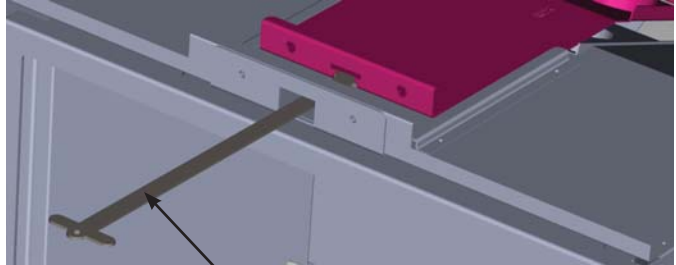
- 1) Detach the Flue Connector Plate from the unit by removing the Connector Plate Screws and sliding the Flue Connector Plate forward and off the unit.



- 2) Attach the Flue Liners onto the Flue Connector Plate using non RTV type sealant, then fasten with 3 screws. See the section in this manual on Venting installation.
- 3) Position the unit in front of the fireplace opening, start the Flue Connector Plate into the Flue Connector Plate Guides.



- 4) Use the Flue Connector Slide Tool to slowly pull the Flue Connector Plate forward as you move the Insert rearward into the Fireplace Chase.



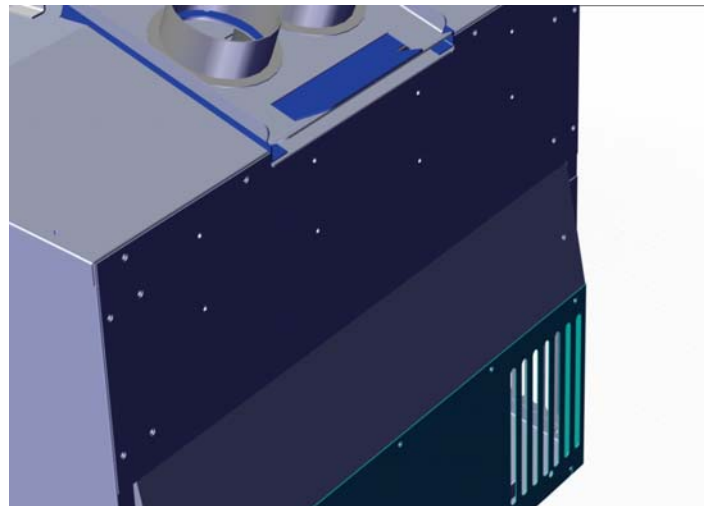
Flue Connector Slide Tool

- 5) When the Flue Connector Plate is close to the front of the unit, engage the Flue Connector Screws and carefully tighten the Flue Connector Plate the final amount.

****** Make sure the Rear Tabs connect into their respective slots in the Flue Connector Plate. Failure to do so will result in flue gas leakage and degrade the operation of the unit ****** (See diagram below of location.)

The Flue connection is complete when the Flue Connector Plate is fully forward and the Rear Tabs are fully engaged.

- 6) Remove the Flue Connector Tool and store for future use.



WARNING:

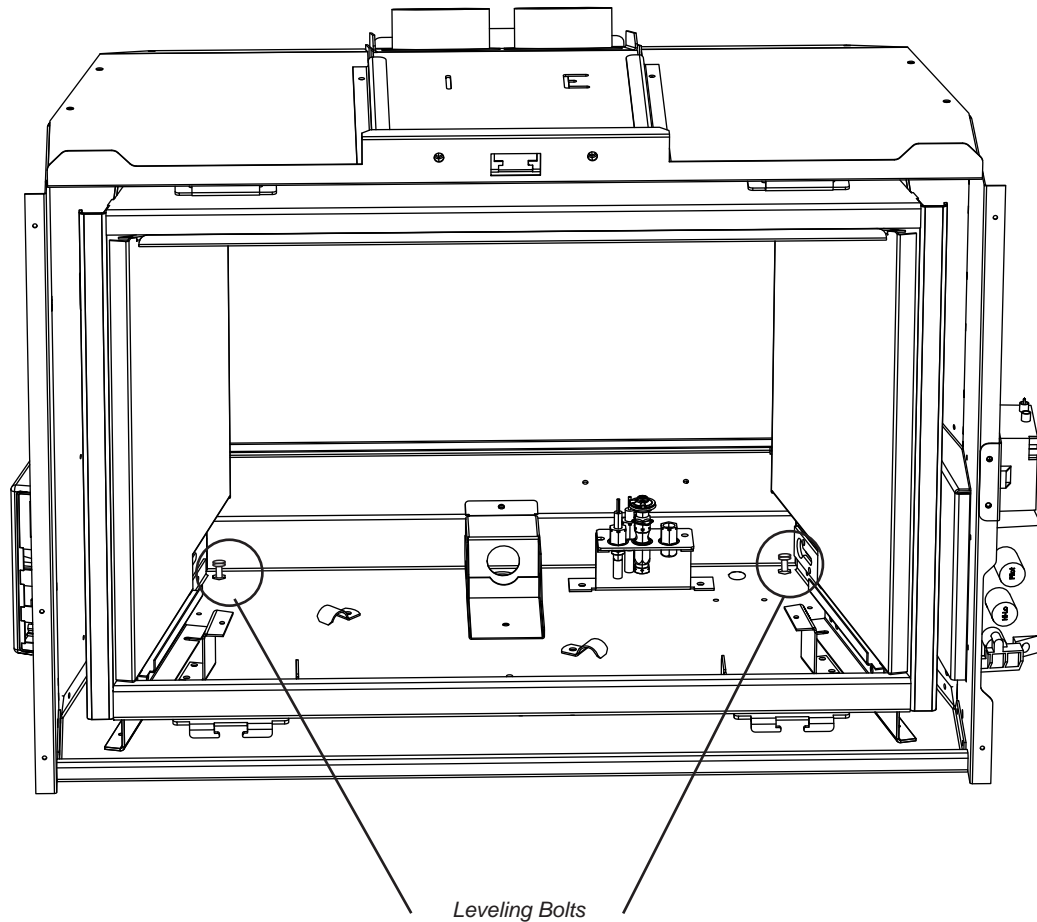
Failure to position the parts in accordance with these diagrams or failure to use only parts specifically approved with this appliance may result in property damage or personal injury.

LEVELLING LEG ADJUSTMENT

The L390PB / HZI390PB inserts are equipped with 2 levelling legs that are accessible while the appliance is in its final installation position. The unit can be adjusted up to 2" (51mm). The faceplate must not be installed to do this adjustment, if installed, remove faceplate.

Remove left and right side filler pieces. The rear levelling bolts are located in the back corners of the firebox and can be adjusted using a 7/16" wrench. Rotate the bolts clockwise to raise the rear of the firebox.

When the appliance is in position, adjust the bolts to level the appliance, making sure that the appliance is also level and is sitting on both bolts to prevent rocking.



AIR SHUTTER ADJUSTMENT

Air Shutters are required to increase or decrease the amount of air that is mixed with the fuel before combustion. This will have an affect on how well the fuel combusts and how the flame physically appears. Low primary air will leave a taller, yellower flame while higher primary air will leave a lower, bluer flame.

This setting is largely for appearance, however, not enough primary air may lead to carboning, sooting or a flame that reaches the top of the firebox. Situations that may require more primary air are; units that are burning propane, units installed at higher elevations or units that are run on high most of the time.

The L390PB / HZI390PB is equipped with an air shutter that is accessible from outside the firebox and can be adjusted during operation.

Aeration adjustments should only be made after the unit has been on for 30 minutes to 1 hour.

Slide the Air Shutter Lever towards you to increase the primary air setting.

Slide the Air Shutter away from you to decrease the primary air setting. Below you will see a chart showing the minimum primary air settings.

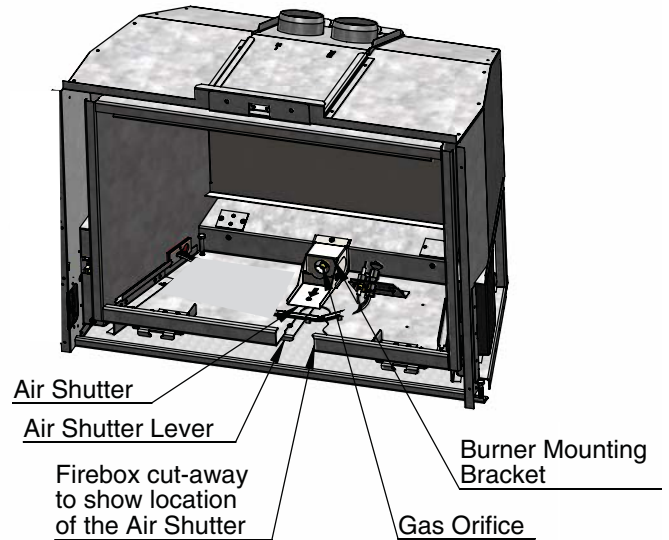
These are set from the factory, but due to fuel conversions or installation conditions, the air setting may need to be adjusted.

Unit	Fuel Type	Min. Air Setting
L390PB	NG	3/16" (5mm)
L390PB	LP	1/4" (6mm)
HZI390PB	NG	3/16" (5mm)
HZI390PB	LP	1/4" (6mm)

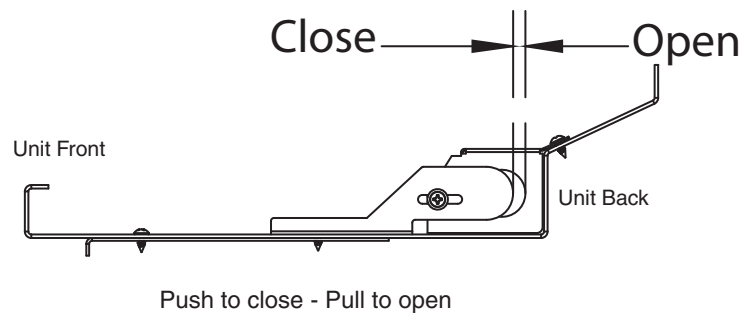
CAUTION: Carbon will be produced if air shutter is closed too much.

Note: any damage due to carboning resulting from improperly setting the aeration controls is NOT covered under warranty.

Note: Aeration Adjustment should only be performed by an authorized Regency Installer at the time of installation or service.



- 1) Slide the Air Shutter Lever towards you to increase the primary air setting.
- 2) Slide the Air Shutter away from you to decrease the primary air setting. Below you will see a chart showing the minimum primary air settings.



First Fire & Aeration

INSTALLATION

L390PB NG2 / HZI390PB NG2 SYSTEM DATA	
Min. Supply Pressure	5" WC (1.25 kpa)
Manifold Pressure	3.5" WC (0.87 kpa)
Orifice Size	#35 DMS
Maximum Input	31,000 Btu/h (9.09 kW)

L390PB LP2 / HZI390PB LP2 SYSTEM DATA	
Min. Supply Pressure	11" WC (2.73 kpa)
Manifold Pressure	10" WC (2.49 kpa)
Orifice Size	#53 DMS
Maximum Input	31,000 Btu/h (9.09 kW)

HIGH ELEVATION

This unit is approved for altitude 0 to 4500 ft. (CAN1 2.17-M91).

GAS LINE INSTALLATION

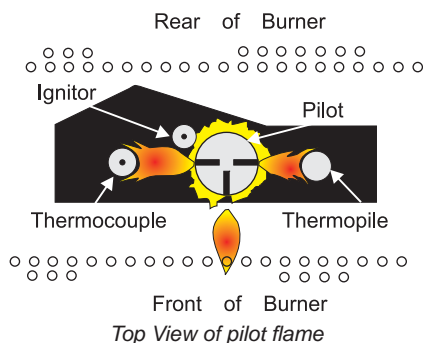
Since some municipalities have additional local codes it is always best to consult with your local authorities and the CAN/CGA B149 installation code.

For USA installations follow local codes and/or the current National Fuel Gas Code, ANSI Z223.1.

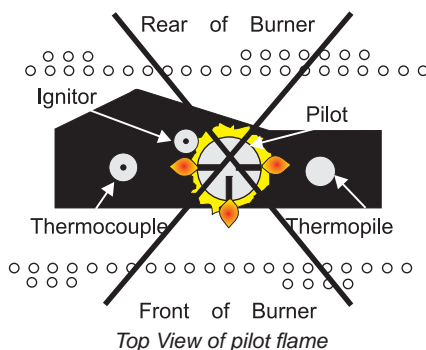
When using copper or flex connectors use only approved fittings. Always provide a union so that gas lines can be easily disconnected for servicing. Flare nuts for copper lines and flex connectors are usually considered to meet this requirement.

NOTE: A shutoff / dante valve should be supplied in or near the unit (or as per local codes) for ease of servicing this appliance.

IMPORTANT: Always check for gas leaks with a soap and water solution or gas leak detector. Do not use open flame for leak testing.



Incorrect flame pattern will have small, probably yellow flames, not coming into proper contact with the rear of the burner or thermopile.



If you have an incorrect flame pattern, contact your Regency dealer for further instructions.

GAS PIPE PRESSURE TESTING

The appliance must be isolated from the gas supply piping system by closing its individual manual shut-off valve during any pressure testing of the gas supply piping system at test pressures equal to or less than 1/2 psig. (3.45 kPa). Disconnect piping from valve at pressures over 1/2 psig.

The manifold pressure is controlled by a regulator built into the gas control, and should be checked at the pressure test point.

Note: To properly check gas pressure, both inlet and manifold pressures should be checked using the valve pressure ports on the valve.

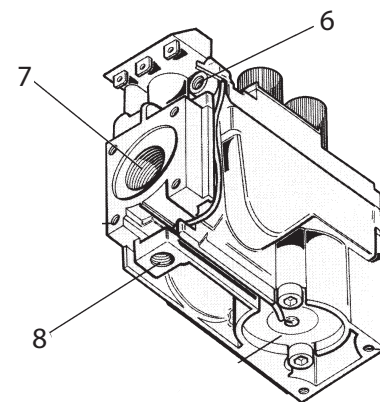
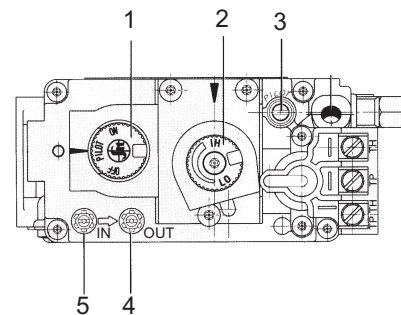
- 1) Make sure the valve is in the "OFF" position.
- 2) Loosen the "IN" and/or "OUT" pressure tap(s), turning counterclockwise with a 1/8" wide flat screwdriver.
- 3) Attach manometer to "IN" and/or "OUT" pressure tap(s) using a 5/16" ID hose.
- 4) Light the pilot and turn the valve to "ON" position.
- 5) The pressure check should be carried out with

the unit burning and the setting should be within the limits specified on the safety label.

- 6) When finished reading manometer, turn off the gas valve, disconnect the hose and tighten the screw (clockwise) with a 1/8" flat screwdriver. **Note: Screw should be snug, but do not over tighten.**

820 S.I.T. VALVE DESCRIPTION

- 1) Gas on/off knob
- 2) High/low adjustment
- 3) Pilot Adjustment
- 4) Manifold (Outlet) Pressure Tap
- 5) Inlet Pressure Tap
- 6) Pilot Outlet
- 7) Main Gas Outlet
- 8) Alternative TC Connection Point



CONVERSION FROM NG TO LP

L390PB-2/HZI390PB-2 using SIT 820 NOVA Gas Valve

**THIS CONVERSION MUST BE DONE BY A QUALIFIED GAS FITTER
IF IN DOUBT DO NOT DO THIS CONVERSION!**

WARNING

This conversion kit shall be installed by a qualified service agency in accordance with the manufacturer's instructions and all applicable codes and requirements of the authority having jurisdiction. If these instructions is not followed exactly, a fire, explosion or production of carbon monoxide may result causing property damage, personal injury or loss of life. The qualified service agency is responsible for the proper installation of this kit. The installation is not proper and complete until the operation of the converted appliance is checked as specified in the manufacturer's instructions supplied with the kit.

Conversion Kit includes:

1	904-947	Orifice #53
1	918-590	Decal - Conversion to LP
1	908-528	Label Propane
1	910-037	Pilot Orifice
1	904-529	Allen Key

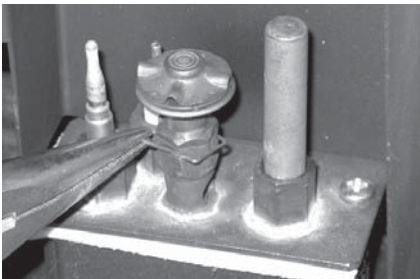
Before you begin:

Shut off the gas supply to the unit.

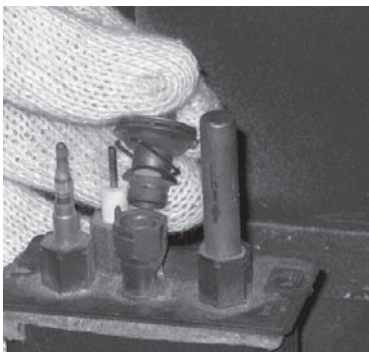
Disconnect all electrical supply to the unit.

Always let the appliance cool to room temperature before servicing.

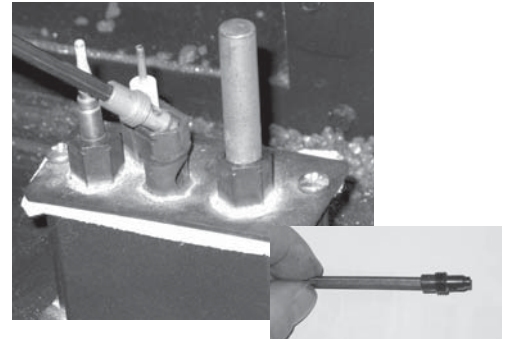
1. Remove Faceplate, backing plate, glass door, and inner panels (see manual for detailed instructions).
2. Remove the wire clip below the pilot cap.



3. Pull off the pilot cap to expose the pilot orifice.



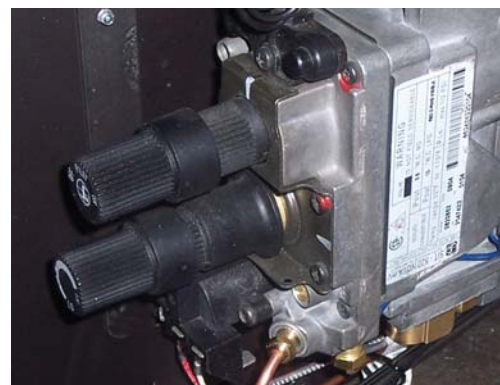
4. Unscrew the pilot orifice with the allen key; then replace with the LPG pilot orifice, provided in the kit.



5. Remove burner - see burner removal section in manual.
6. Using a 3/8" socket wrench, loosen and remove the main gas orifice. Replace with the LP gas orifice. Confirm the orifice size marked on the Orifice with the Rating Label on the appliance



7. Locate the valve on the right hand side of the unit. Pull off the Hi/Lo gas extension knob to access the hex screw.



INSTALLATION

8. Remove the black protection cap by hand from the hi-low knob (Fig.1).

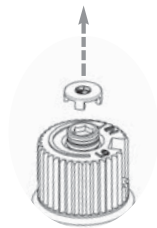


Fig.1

9. Insert a 5/32" or 4mm Allen wrench into the hexagonal key-way of the screw (Fig. 2), rotate it counter-clockwise until it is free and extract it.



Fig.2

10. Check that the screw is clean and if necessary remove any dirt.

11. Flip the screw (Fig. 3).

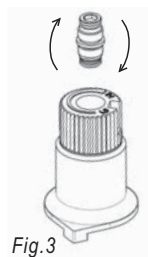


Fig.3

12. Using the Allen wrench as shown in Fig. 4, rotate the screw clockwise until snug, do not over-tighten.



Fig.4

WARNING!
Do not over tighten the screw.
Recommended to grip the wrench by the short side.

13. Verify that if the conversion is from NG to LPG, the screw must be re-assembled with the red o-ring visible (Fig. 5).

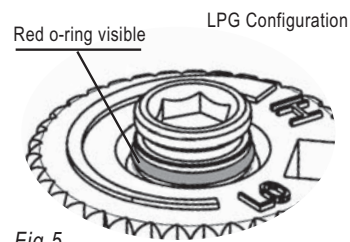


Fig.5



14. Re-assemble the black protection cap (Fig. 6).

15. Reverse steps 5 - 1.



Fig.6

16. Attach the label "This unit has been converted to LPG" near or on top of the serial # decal.

WARNING!
Also check that the pilot and main burner injectors are appropriate for the gas type.

17. Replace yellow "NG" label with red "LPG" label.

18. Check for gas leaks.

19. Adjust aerations settings - see Air Shutter Adjustment section in the manual.

20. Check inlet and outlet pressures.

21. Check operation of flame control.

Installer Notice:
These instructions must be left with the appliance.

GT REMOTE INSTALLATION

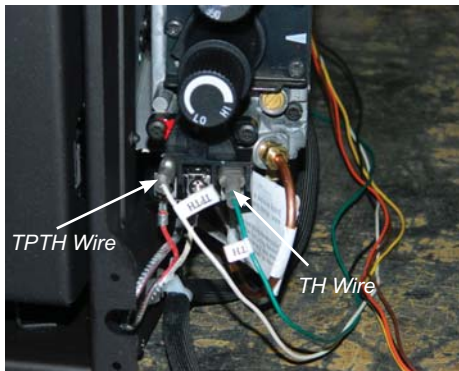
GT Remote Receiver Components		
1	946-680	GT remote control

Note: GT remote control installation must be completed prior to the unit being installed.

1. Bring the TH and TP-TH wires around back of the unit to the right side - where the valve is located.



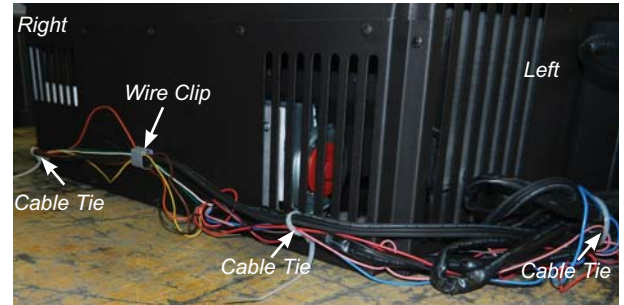
2. Connect the TH/TP-TH wires from the harness to the valve terminals also marked TH/TP-TH - locations as shown below.



3. Secure cable ties to the unit as shown by inserting cable ties into round holes. There will be a total of 4 cable ties that need to be inserted into the holes. (2 on the back and 2 on the left side located on the lower side of the firebox).



4. Bundle excess wires - with the exception of the wire marked receiver. Receiver wire requires enough slack to reach the front left of the unit to be connected to the receiver. Secure wires with cable ties installed in previous step. Additionally secure wires with a wire clip to be installed in location shown below.



4. Install receiver onto backing plate with 2 screws and plug in receiver wires.



5. Connect receiver wire from the wiring harness to the back side of the remote receiver as shown below.



8. Bundle excess receiver wire using a cable tie and secure to the front left of the firebox as shown below.



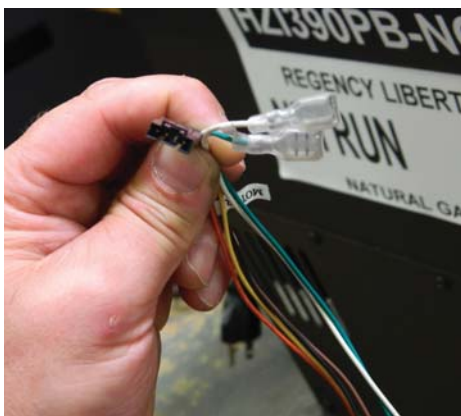
INSTALLATION

GTM REMOTE INSTALLATION

GTM Remote Receiver Components		
1	946-681	GTM remote control
1	946-683 (or) 946-984	Stepper Motor (NG) (sold separately) Stepper Motor (LP) (sold separately)

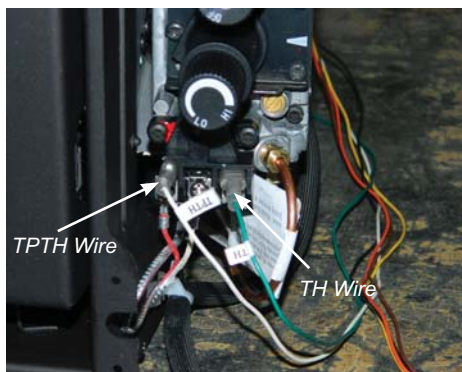
Note: GTM remote control installation must be completed prior to the unit being installed.

1. Bring the TH, TPTH, and Stepper motor wires around back of the unit to the right side - where the valve is located.



2. Connect the TH/TP-TH wires from the harness to the valve terminals also marked TH/TP-TH - locations as shown below.

3. Install stepper motor (installation instructions provided by SIT).



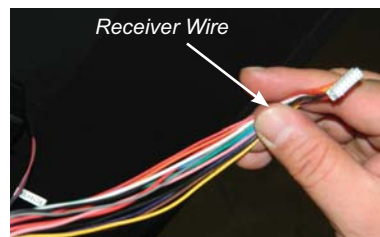
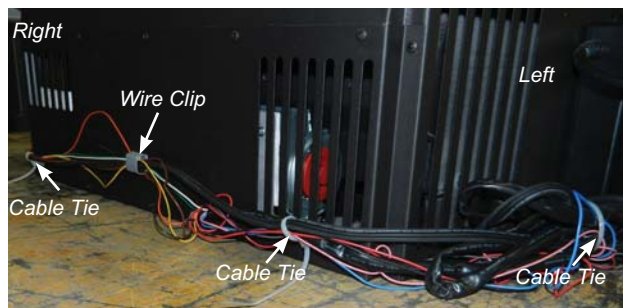
4. Connect the stepper motor wire (marked stepper) from the harness into the stepper motor wire on the motor.



5. Secure cable ties to the unit as shown by inserting cable ties into round holes. There will be a total of 4 cable ties that need to be inserted into 4 holes. (2 on the back and 2 on the left side located on the lower side of the firebox).



6. Bundle excess wires - with the exception of the wire marked receiver. Receiver wire requires enough slack to reach the front left of the unit to be connected to the receiver. Secure wires with cable ties installed in previous step. Additionally secure wires with a wire clip to be installed in location shown below.



7. Install receiver onto backing plate with 2 screws and plug in receiver cord shown in Step 6.



9. Connect receiver wire from the wiring harness to the back side of the remote receiver as shown below



8. Bundle excess receiver wire using the 4th cable tie and secure to the front left of the firebox as shown below.



INSTALLATION

GTMF REMOTE INSTALLATION

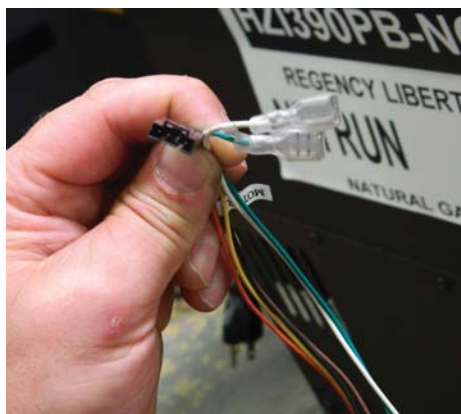
GTMF Remote Receiver Components		
1	946-682	GTMF remote control
1	946-683 (or) 946-984	Stepper Motor (NG) Stepper Motor (LP)
1	946-699	10 foot wiring harness package (Discard existing 2ft wire harness) 10 foot power extension cord for Fan Control Module

Note: GTMF remote control installation must be completed prior to the unit being installed.

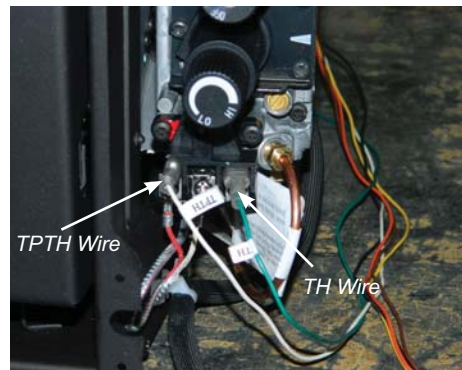
1. Remove heat shield from Fan Control Module and install to the left side of the unit with 2 screws as shown below.



2. Bring the TH/TP-TH, and Stepper motor wires around back of the unit to the right side - where the valve is located. All remaining wires from the wiring harness must remain near the fan control module.



3. Connect the TH/TP-TH wires from the harness to the valve terminals also marked TH/TP-TH - locations as shown below.



4. Install stepper motor (installation instructions provided by SIT).

5. Connect the stepper motor wire (marked motor) from the harness into the stepper motor wire on the motor.



6. Cut the cable tie to release the power cord bundled on the right side, bring around to the back of the unit to the left side near the fan control module.

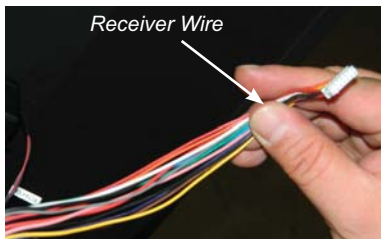
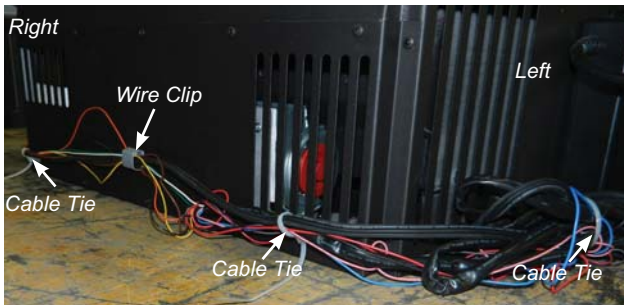
7. Plug power cord into the outlet marked FAN on the fan control module. See below.



8. Secure cable ties to the unit as shown by inserting cable ties into round holes. There will be a total of 4 cable ties that need to be inserted into the holes. (2 on the back and 2 on the left side located on the lower side of the firebox).



9. Bundle excess wires and power cord - with the exception of the wire marked receiver.
 Receiver wire requires enough slack to reach the front left of the unit to be connected to the receiver.
 Secure wires with cable ties installed in previous step.
 Additionally secure wires with a wire clip to be installed in location shown below.



10. Install receiver onto backing plate with 2 screws and plug in receiver cord shown in Step 9.



11. Connect receiver wire from the wiring harness to the back side of the remote receiver as shown below



12. Bundle excess receiver wire using the 4th cable tie and secure to the front left of the firebox as shown below.

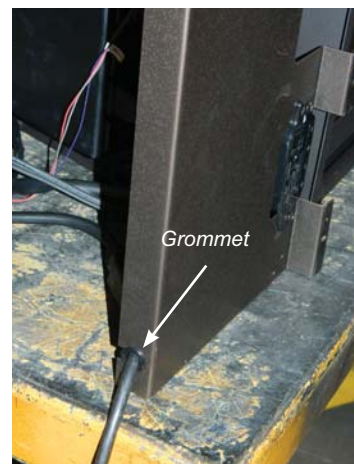


13. Plug the 10 foot extension cord into the FCM extension cord as shown below.



14. Install a grommet on power cord near the three prong plug connection made in previous step and secure to the faceplate as shown below.

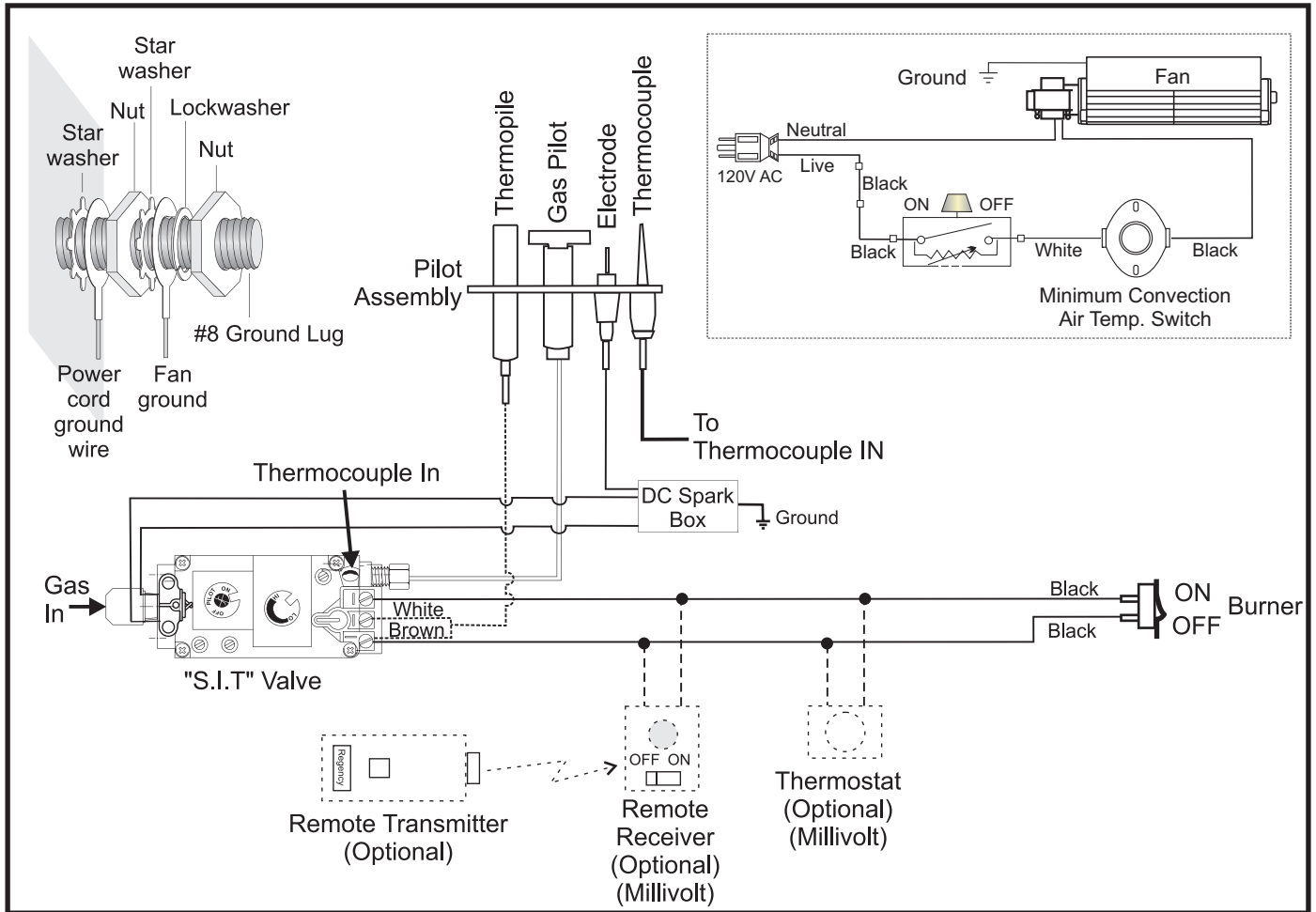
Note: 3 prong plugs should be left behind the faceplate after installation is completed.



INSTALLATION

WIRING DIAGRAMS

This heater does not require a 120V A.C. supply for operation. In case of a power failure, the burner switch and the optional remote control/ thermostat will continue to operate. However, a 120V A.C. power supply is needed for the fan/blower operation.



WARNING:

Electrical Grounding Instructions

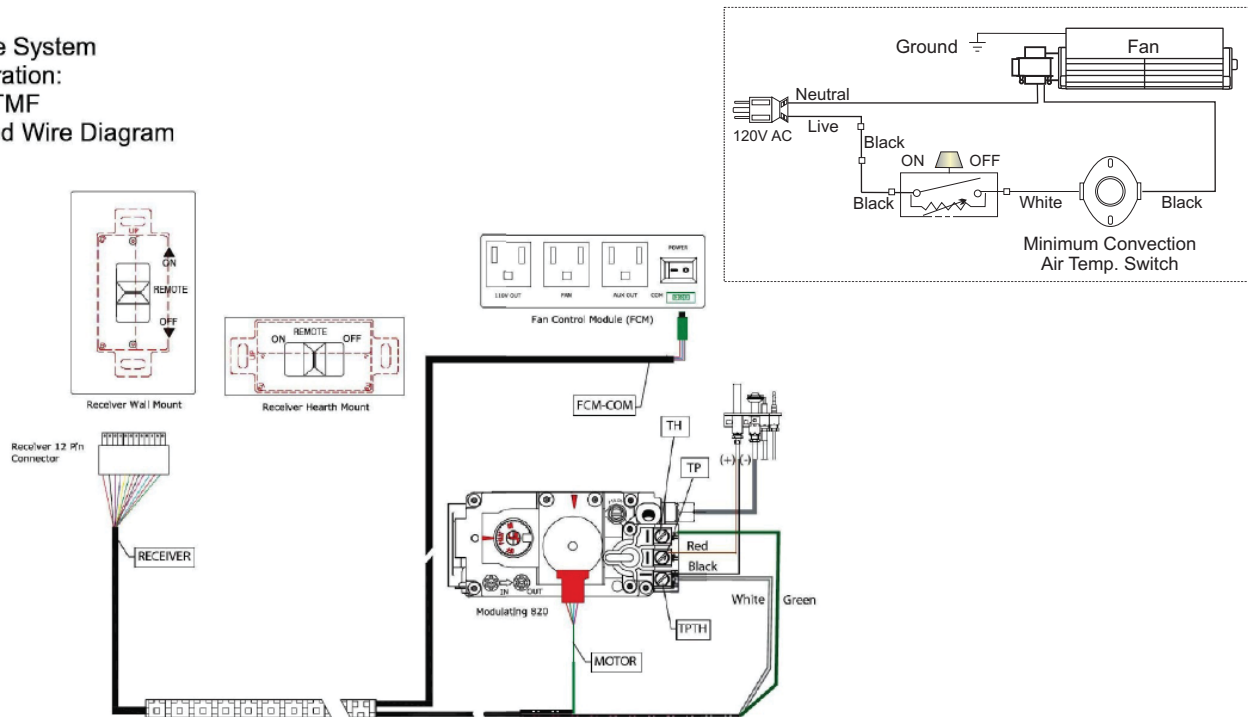
This appliance is equipped with a three pronged (grounding) plug for your protection against shock hazard and should be plugged directly into a properly grounded three-prong receptacle. Do not cut or remove the grounding prong from this plug.

CAUTION: Label all wires prior to disconnection when servicing controls. Wiring errors can cause improper and dangerous operation.

Caution: Ensure that the wires do not touch any hot surfaces and are away from sharp edges.

WIRING DIAGRAM FOR GTMF REMOTE

Proflame System
Configuration:
820 - GTMF
Illustrated Wire Diagram



INSTALLATION

Optional WALL THERMOSTAT

A wall thermostat may be installed if desired, connect the wires as per the wiring diagram. Use table below to determine the maximum wire length.

Note: Preferable if the thermostat is installed on an interior wall.

Regency® offers an optional programmable thermostat but any 250-750 millivolt rated non-anticipator type thermostat that is CSA, ULC or UL approved may be used.

CAUTION
Do not wire millivolt wall thermostat wires to 120V wire.

Thermostat Wire Table

Recommended Maximum Lead Length (Two-Wire) When Using Wall Thermostat (CP-2 System)	
Wire Size	Max. Length
14 GA.	50 Ft.
16 GA.	32 Ft.
18 GA.	20 Ft.
20 GA.	12 Ft.
22 GA.	9 Ft.

Optional REMOTE CONTROL

Use the Regency® Remote Control Kit approved for this unit. Use of other systems may void your warranty.

The remote control kit comes with a hand held transmitter, a receiver and a wall mounting plate.

- 1) Choose a convenient location on the wall to install the receiver and the receptacle box (protection from extreme heat is very important). Run wires from the fireplace to that location. Use Thermostat Wire Table.
- 2) Connect the two wires to the gas valve. See diagram below.

CAUTION
Do not wire millivolt remote control wires to 120V wire.

- 3) Install 3 AAA alkaline batteries in transmitter and 4 AA alkaline batteries in the receiver. Install the receiver and its cover in the wall. Switch the remote receiver to "remote" mode. The remote control is now ready for operation.

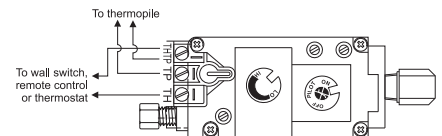
Optional WALL SWITCH

- 1) Run the supplied 10' of wire through the right or left side gas inlet opening. Be careful not to damage wire.

Note: We recommend a maximum of 10' of wire but if you wish to go with a longer run, use the Thermostat Wire Table.

- 2) Connect the wire to a wall switch and install into the receptacle box. Also attach wires to the valve as shown below.

CAUTION
Do not wire millivolt wall switch wire to 120V wire.



DC SPARKER BATTERY INSTALLATION

1. The DC Sparker requires 1 AA battery to operate. **Note:** Pilot cannot be lit without battery in place.
2. Remove Facia and DC sparker.
3. Remove the battery cover from the DC Sparker.
4. Insert 1 AA battery, as illustrated below. Replace the battery cover, reinstall DC sparker and Fascia.



DC sparker



Replace 1- AA battery



Replace battery cover.

GLASS CRYSTAL / STONE INSTALLATION

Spread the Glass Crystals or Stones evenly over the burner. Ensure the crystals/stones do not overlap excessively as this will affect the flame pattern.

IMPORTANT NOTE:

Only the supplied approved Glass Crystals and Stones are to be used with these fireplaces. Use of any other type of glass crystals or stones can alter the unit's performance, any damage caused by the use of any unapproved glass or stones will not be covered under warranty.

When using Ceramic Spa/Volcanic Stones **DO NOT** cover burner ports or pilot light that lead to pilot flame.

BURNER PACKAGES		
Unit	*Glass Crystals	Stones - Spa / Ceramic / Volcanic
HZI390PB	8 lbs [5 lbs burner + 3 lbs firebox]	2 lb Glass + 1 package (70 Spa Stones)
<p>NOTE: * Glass Crystals are not supplied with the unit. Must purchase separately - see quantities above. Glass Crystals are available in 1lb and 5lb bags. Note: 1 Spa stone package contains 70 stones.</p>		

OPTIONAL PEBBLES / GLASS CRYSTAL INSTALLATION FOR FIREBOX BASE (AROUND BURNER)

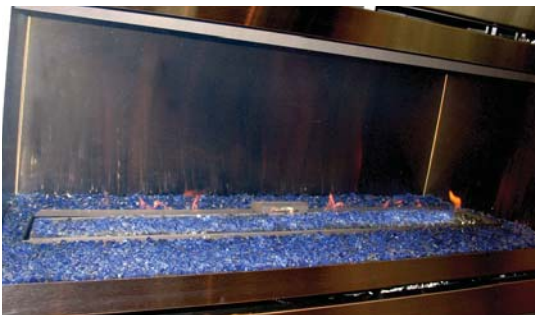
There are 2 optional packages to choose from to cover the firebox base:

- 1) Natural River Pebbles
- 2) Glass Crystals (4 colors available)

Spread the pebbles / crystals evenly on the exposed base of the firebox. Pebbles are **NOT** to be placed anywhere on the burner or over top of the Glass Crystals or optional Stones.

IMPORTANT NOTE: Only the supplied and approved pebbles / glass crystals are to be used with these fireplaces. Use of any other type of pebbles, glass crystals or other material can create a danger and will void the warranty.

Firebox (Around Burner) Packages		
Unit	Glass Crystals	Pebbles
HZI390PB	3 lbs	1 package (3 x bags pebbles)



Glass Crystals shown surrounding the Burner



Natural River Pebbles shown surrounding the a Horizon Burner



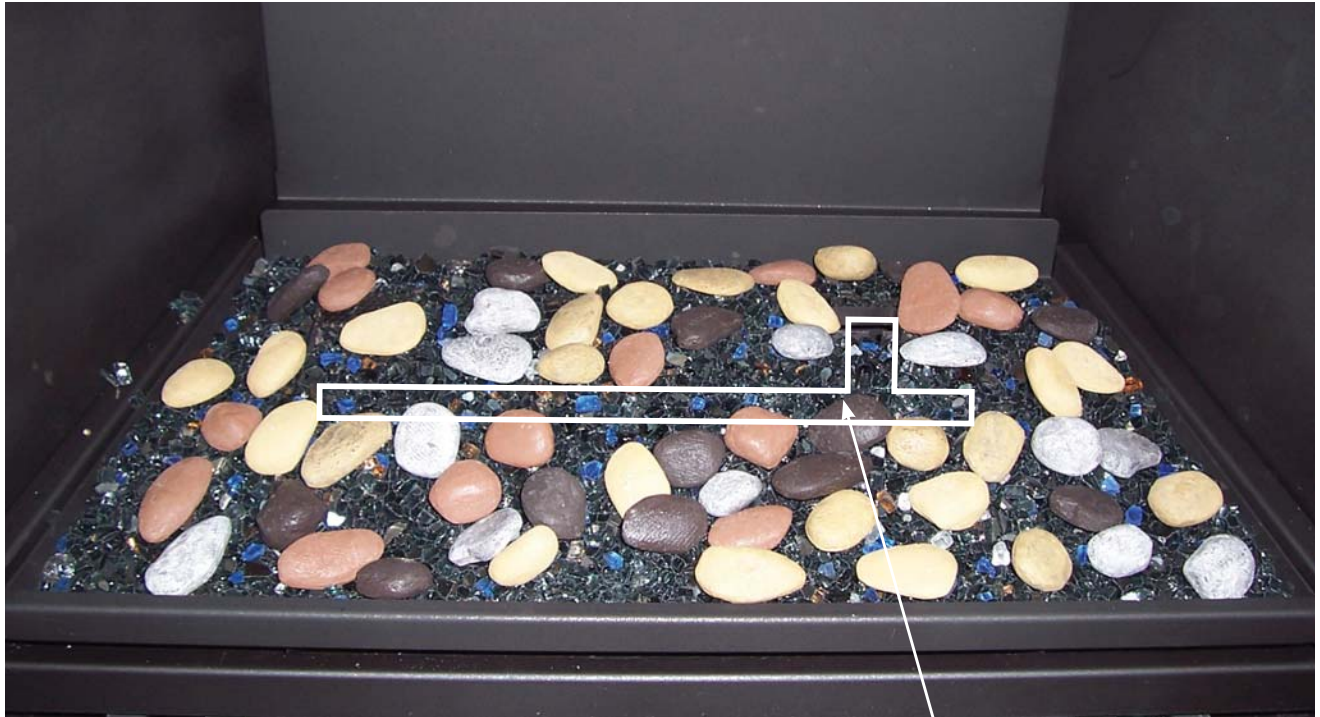
*Glass Crystals shown on Burner and Firebox Floor
For Units HZI390E, HZI540E*



DO NOT block pilot area with glass crystals

CAUTION

DO NOT place spa stones over pilot and burner ports.



No spa stones in this area.



Installing Glass Crystals

HZI390PB OPTIONAL LOG SET INSTALLATION

Read the instructions below carefully and refer to the images. If the logs are broken do not use the unit until they are replaced. Broken logs can interfere with pilot operation.

Improper positioning of the logs may create carbon build-up and can alter the unit's performance which is not covered under warranty.

*For Touch Ups: Satin Black paint is included for burner, and Dark Brown Paint is included for log set,

Note: This Log installation is for NG units only.

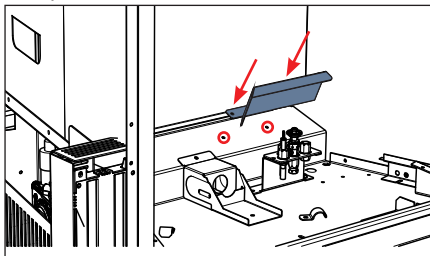
1	Rear Centre Log
2	Centre Right Front Angled Log Piece
3	Right Forked Upright Log
4	Left Angled Upright Log
5	Left Angled Cross Log
6	Right Front Angled Log Piece
7	Centre Left Front Angled Log Piece
	Rear Log Bracket (540/390 units)
	Pilot shield (390 units only)
	Lava Rock and Embers

Glass quantities with Log installation	
HZI390	5 lbs
HZI540	6 lbs
Note: If glass previously installed - remove 2lbs to equal above quantity.	

Ensure unit is cooled to room temperature and remove glass door.

1. HZI390 Unit only.

Remove burner (see manual for instructions).
Remove existing pilot shield by removing 2 screws.
Install pilot shield provided with Log Set using 2 screws from previous pilot shield. Reinstall burner.



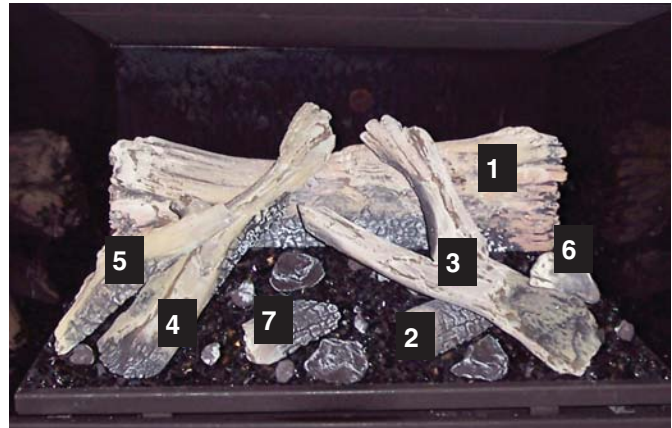
New Pilot Shield - HZI390 Only

2. Both HZI540 & HZI390 Units.

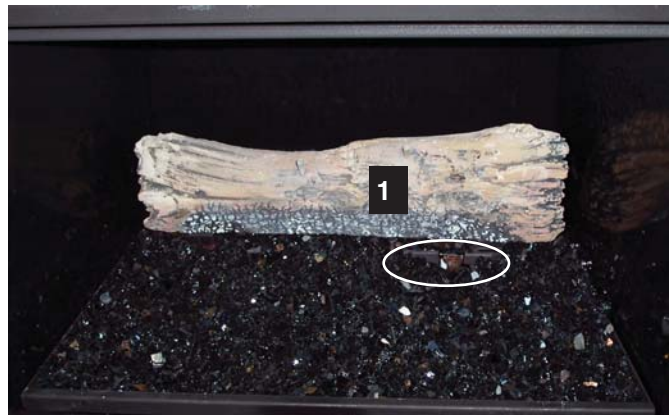
Sweep glass aside (if already installed) to install Rear Log Bracket, clip the front edge of the rear bracket on to rear of the burner as shown below.



Rear Log Bracket

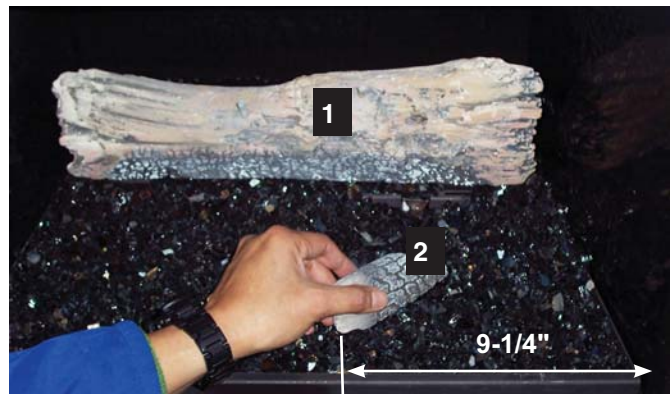


3. Place Log 1 on Rear Log Bracket, ensure Log is centered. Place small amount of glass crystals on pilot cover, over top pilot area in front of Log 1.



Center Log 1 on bracket

4. Place Log 2 on the glass, angled with the non charred point of the Log is approximately 9-1/4" from the right side of the burner tray.



Position Log 2

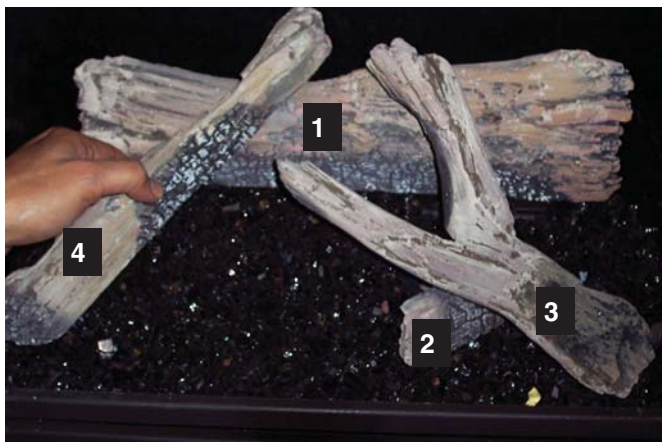
INSTALLATION

5. Place Log 3, rest on Log 2, match pin locator on Log 2 with landing pin on Log 1. Angle the longest point on Log 3 is approximately 1/4' from the outside edge of the burner tray.



Line up pin locator and pin, Logs 1,3

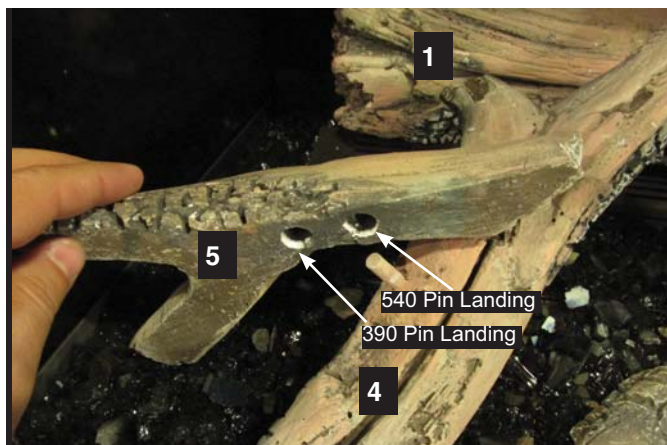
6. Place Log 4, match pin locator on Log 4 with landing pin on Log 1. Angle the longest point on Log 4 is approximately 1/4' from the outside edge of the burner tray.



Line up pin locator and pin, Logs 1,4

7. Place Log 5 across Log 4, match pin locator on Log 5 with landing pin on Log 4.

Note: there are 2 pin locators on Log 5, lower locator is for 390 units and the upper locator is for the 540 units.



Line up pin locator and pin, Logs 5,4

8. Place Log 6 - rest on Log 3 as shown below.



Position Log 6

9. Place Log 7 on the glass as shown below.



Position Log 7

10. Place embers and Lava rocks on the glass as shown below.

Note: Properly positioned, Logs 3 & 4 should measure 1/4" from their longest point to the outside edge of the burner tray.



Place Lava Rock and Embers on Glass

11. Reinstall Glass Door.

12. Adjust aeration setting to fully open (manual for detailed instructions)

Note: Logs to be installed in NG units only.

L390PB LOG SET INSTALLATION

Log Set Up



Read the instructions below carefully and refer to the images. If the logs are broken do not use the unit until they are replaced. Broken logs can interfere with pilot operation.

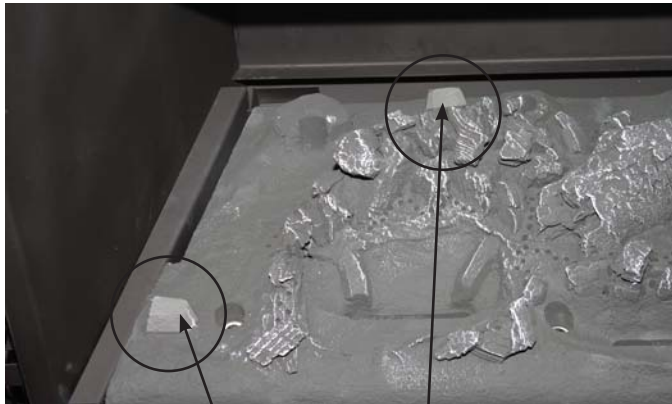
Improper positioning of the logs may create carbon build-up and can alter the unit's performance which is not covered under warranty.

*For Touch Ups: Satin Black paint is included for burner, and Dark Brown Paint is included for log set,

1	Rear Bottom Left Log
2	Right Upright Log
3	Front Log Piece
4	Front Angled Log Piece
5	Back Top Log
6	Front Left Cross Log



1) Identify Log 1 pins on left side of log burner in unit - see below.



Log 1 pins on burner tray

2) Identify corresponding locators on bottom of Log 1 - see below.



Log 1 locators

3) Position Log 1 on burner pins as far forward on the back pin as possible and as far to the left as the left pin allows.



4) Position Log 2 on burner pins located in the right rear corner. When seated, Log 2 should sit flat and not rock.



INSTALLATION

- 5) Position Log 3 in front and to the right of Log 1. Log 3 fits in a recess in the burner tray. Pull log forward on the burner tray until it rests against the ridge in the burner tray shown below.



Ridge in burner tray (highlighted)

- 6) Position Log 4 in front and to the right of Log 3. Log 4 fits in a recess in the burner tray. Pull log forward on the burner tray until it rests against the ridge in the burner tray shown below.



Ridge in burner tray (highlighted)

- 7) When installed - ensure the air gap at the rear of the log is maintained - as indicated by arrow below.



- 8) Identify the locators for Log 5 - a pin on Log 1 and a cavity in the front right corner on the burner tray as shown below.



Pin on Log 1 (highlighted)

Cavity in burner tray (highlighted)

- 9) Orient Log 5 as shown below - then match up locators on log with those in the firebox (indicated above).



- 10) Correct positioning of Log 5 is shown below.



Log 5 - correct position L

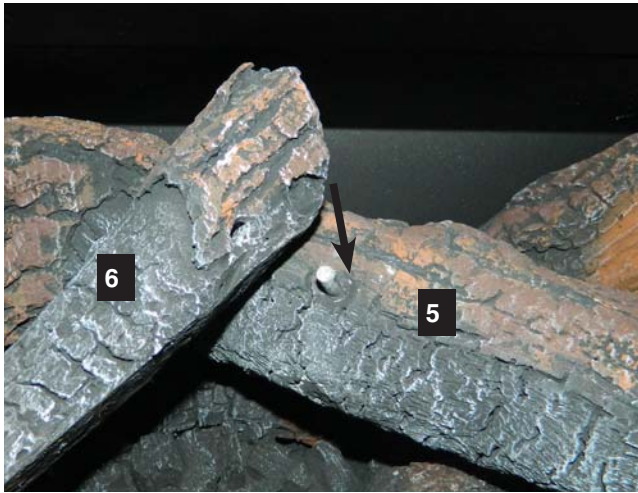


Log 5 - correct position R

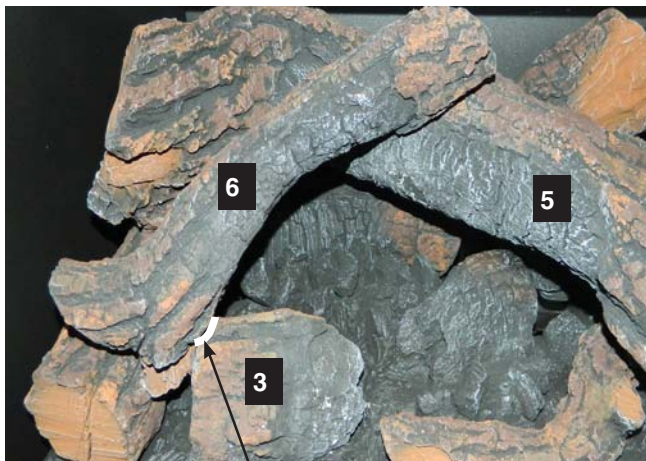


Log 5 - correct position installed

11) Match up pin on Log 5 with locator on Log 6 as shown below.



12) Rest Log 6 in notch on Log 3—as shown below.



Notch in Log 3



Final Install

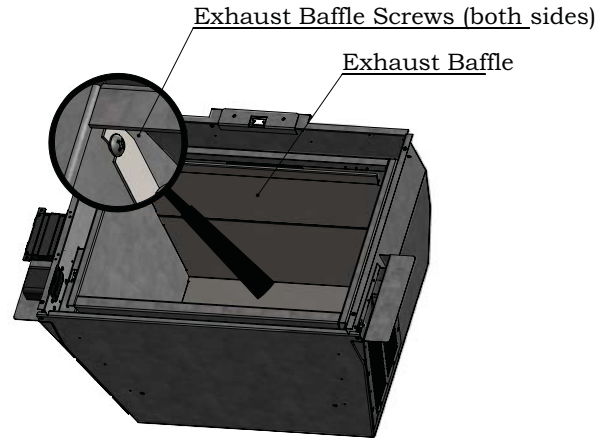
INSTALLATION

HEAT EXCHANGE RETURN

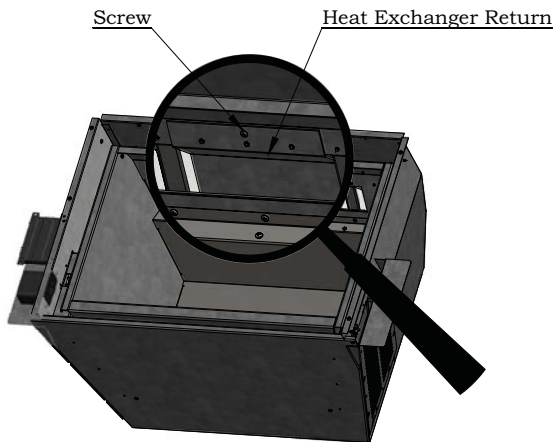
NOTE: Only installed if chimney is at "maximum height" of 35 feet.

ADDING THE HEAT EXCHANGER RETURN

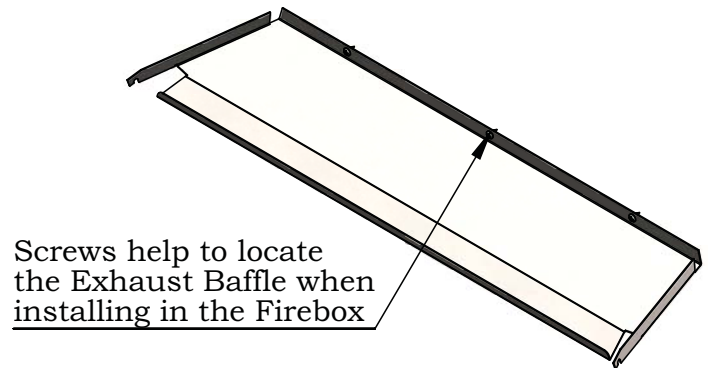
- 1) Remove the glass front.
- 2) Remove the inner panels if they are already installed.
- 3) Remove one screw in the upper left and upper right of the firebox. If the unit has been previously operated, spray these screws with WD-40. Once the screws have been removed, lower the front edge of the exhaust baffle and pull towards you. There are 3 screws at the rear of the exhaust baffle that help to position the baffle and keep it straight during operation.
- 4) Install the heat exchange return as shown.
- 5) Reinstall the exhaust baffle.



Exhaust Baffle



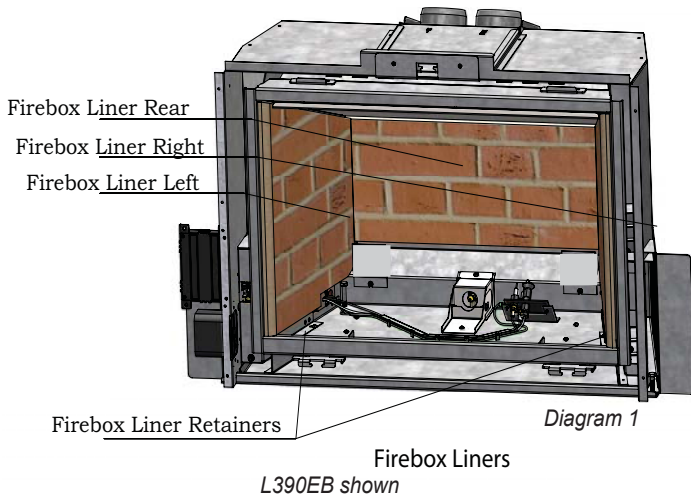
Heat Exchanger Return



Exhaust Baffle

BRICK PANEL INSTALLATION

Brick panels are soft and fragile. Use caution when handling the panels, being careful not to jar them or scratch the painted surfaces.

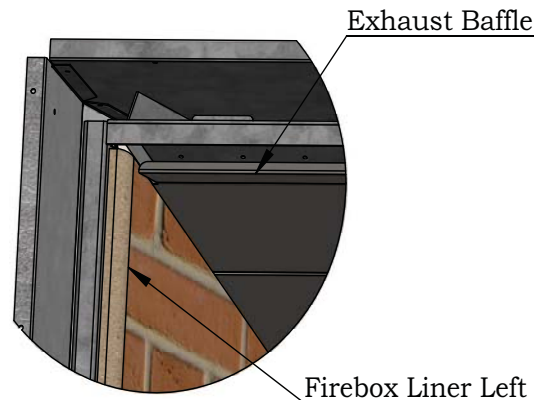


- 2) Remove the firebox liners from their packaging. Inspect them prior to installation to make sure they haven't been damaged during shipping.
- 3) Install the rear brick panel, by placing it against the rear of the firebox. The bottom of the brick panel rests on a small sheet metal lip, just above the air intake at the bottom rear of the Firebox. You will need to hold this panel in place while you install the right brick panel. Do not let go of the panel or it may fall forward and be damaged.
- 4) While holding the rear brick panel in place, slide the right along the side of the firebox toward the rear of the firebox. Each side Firebox Liner will sit upon a Firebox Liner Retainer and the top will be held between the Exhaust Baffle and the side of the firebox.

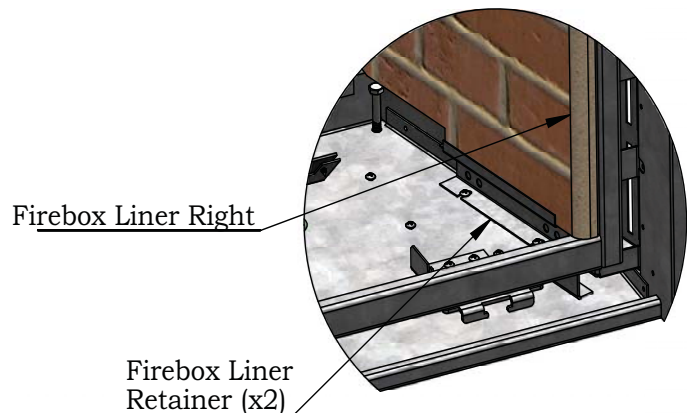
- 1) Remove left/right filler sections and discard - see below.



Left /right filler sections



Upper Left of Firebox



Lower Right of Firebox

- 5) Once one Firebox Liner Side is installed, you can release the Firebox Liner Rear. The side Liner will hold the rear Liner in place. Install the Firebox Liner Left the same way you installed the Firebox Liner Right. Both side liners should be just slightly back from the front edge of the Firebox.



Brick Panel Installation

ENAMEL PANEL INSTALLATION

Before you Start:

Black Enamel Panels

• Black Enamel panels must be inspected for scratches and dimples prior to installation. All claims to be recorded at this time. Claims for damage after installation will not receive consideration.

• Black Enamel panels will discolor a little during normal operation. This is normal and should not be considered a defect.

* All hand and finger marks **MUST** be cleaned off with a soft cloth. Use an ammonia based cleaner (ie. glass cleaner) to remove any fingerprints before applying heat to the unit.

Failure to do this will result in burn stains on panels which you will be unable to remove. Not protected by product warranty.

Sheet metal components may have sharp edges. Please handle with care. The enamel panels require an insulation panel installed behind them. Failure to do so may result in an elevated operating temperature and premature failure of the appliance. The Insulation panels may contain fibre glass or ceramic elements. These may become airborne or stick to carpets and/or clothing. Handle with caution. The use of work gloves and dust masks is recommended when handling panels and insulation.

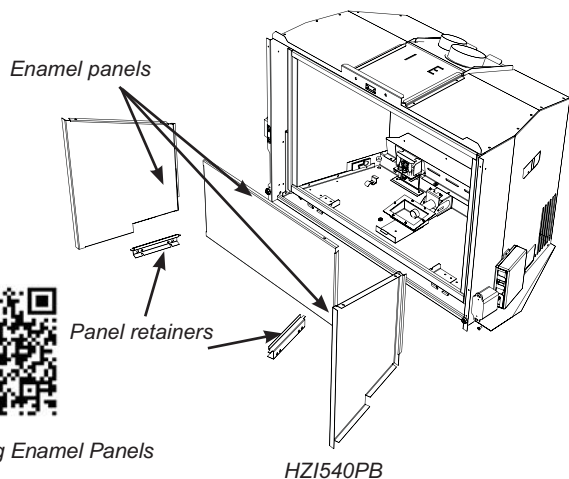
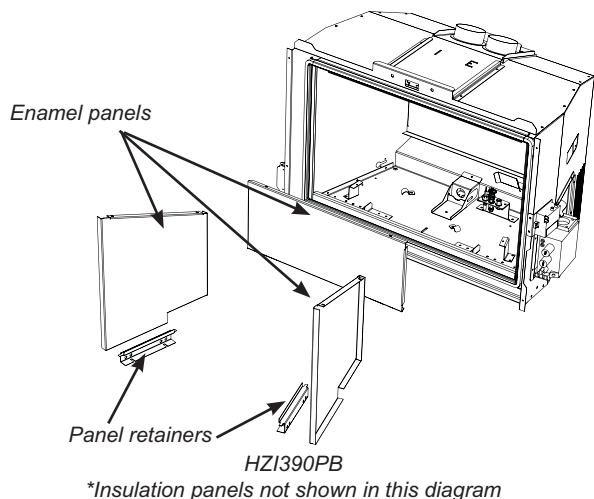
- 1) Remove filler sections from right and left sides of the burner and discard - see below.



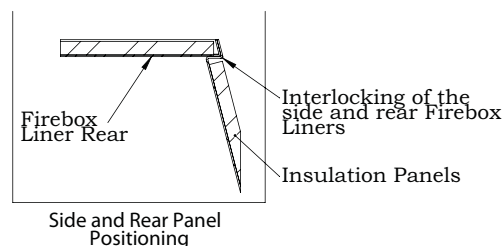
Filler section

- 2) Using a screw driver, loosen the screws that hold down the Firebox Liner Retainers (x4). Move the Firebox Liner Retainers toward the center of the Firebox - see diagram below.

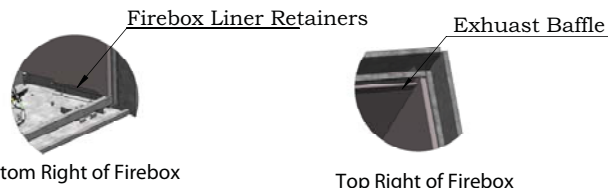
- 3) Place the insulation panels on the inside of their respective firebox liners. Have both the rear liner and the right liner within reach of the Firebox. The rear liner has one long edge with perpendicular lip and one long edge with a lip angled downward. The angled lip is the top of the panel. The liner sits on a sheet metal ledge at the rear of the firebox, just above the air inlet near the bottom. While holding the rear liner in place, slide the firebox liner right (and the corresponding insulation panel) into the right side of the Firebox. The side liners will sit on the firebox liner retainers and fit at the top in-between the firebox side and the exhaust baffle. The rear flange on the Firebox Liner Side, sits between the rear liner and the firebox side. When the side liner is properly installed, the front edge should sit just inside the front edge of the firebox.



Installing Enamel Panels



Side and Rear Panel Positioning

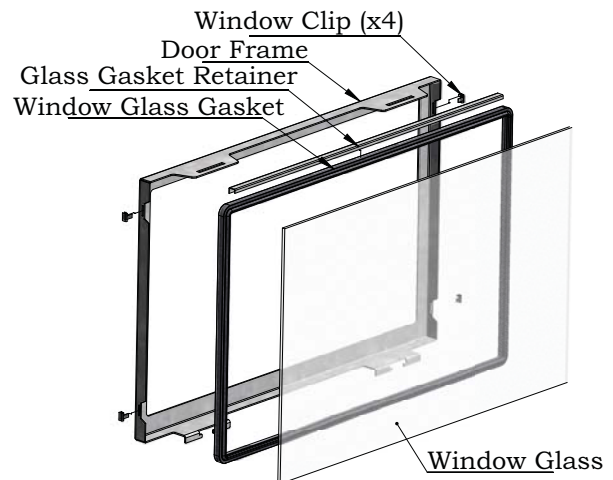
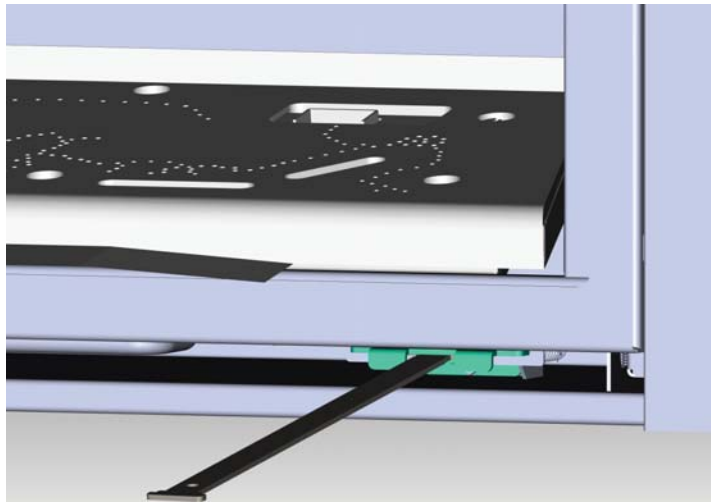
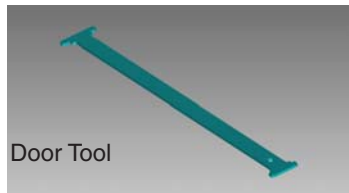
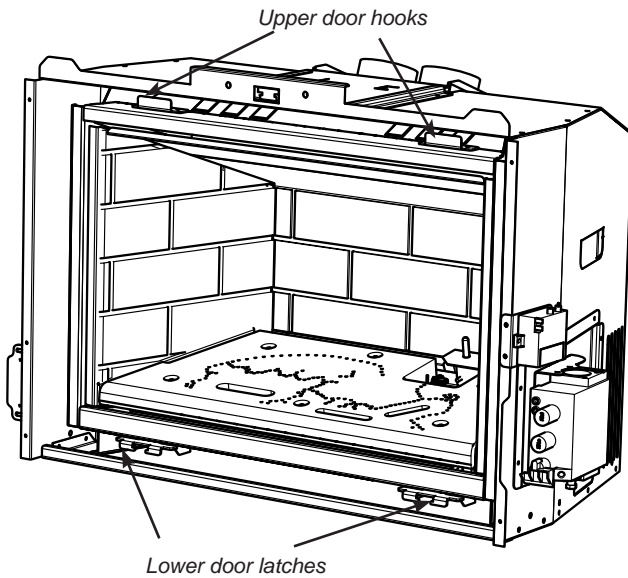


- 4) Install the firebox liner Left, with the corresponding Insulation Panel by sliding it into the left side of the firebox. The rear flange of the liner must fit between the firebox liner rear and the firebox. You may have to push the liner against the firebox as you push it rearward.

GLASS DOOR REMOVAL / INSTALLATION

WARNING: Do not operate the appliance with the glass panels removed, cracked or broken. Replacement of the glass panels should be done by a licensed or qualified service person.

- 1) Insert the door tool into the lower door latch.



Door Components

- 2) Pull forward until the lower door latch is disengaged from the door frame.
- 3) Push downward until the Lower Door Latch is below the Door Frame.
- 4) Release the lower door latch until it reaches its resting point.
- 5) Remove the door tool and repeat steps 1-5 on the other lower door latch.
- 6) Pull the bottom of the door towards you until the door is angled away from the firebox by about 30°. Lift the door up and over the upper door hooks.
- 7) To install the glass door - reverse steps.



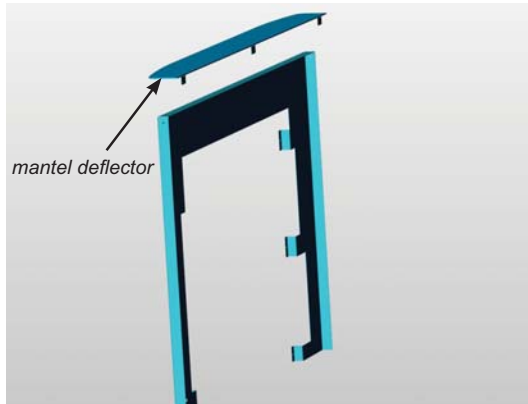
Glass Door Cleaning & Removal

INSTALLATION

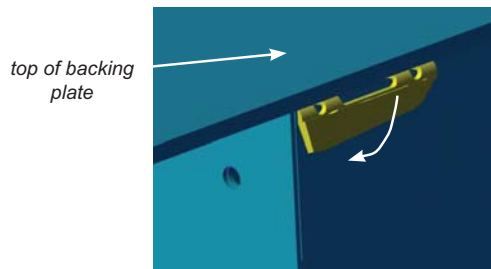
3 SIDED LOW PROFILE FACEPLATE INSTALLATION

Note: A mantel deflector may be installed to reduce the minimum mantel height. Refer to minimum clearances in the installation manual. If not installing the mantel deflector - proceed to step 3.

- 1) Line up the mantel deflector (tabs to the back) with the Low Profile backing plate.

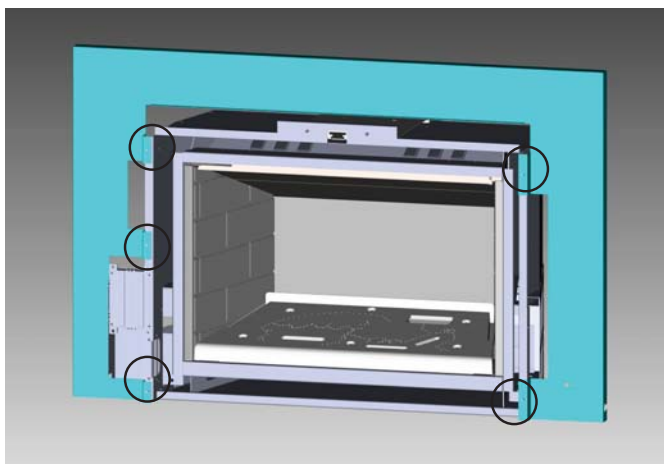


- 2) Bend all 3 tabs 90° to secure the deflector to the top of the backing plate. The tabs should be flush with the underside of the top lip of the back plate.

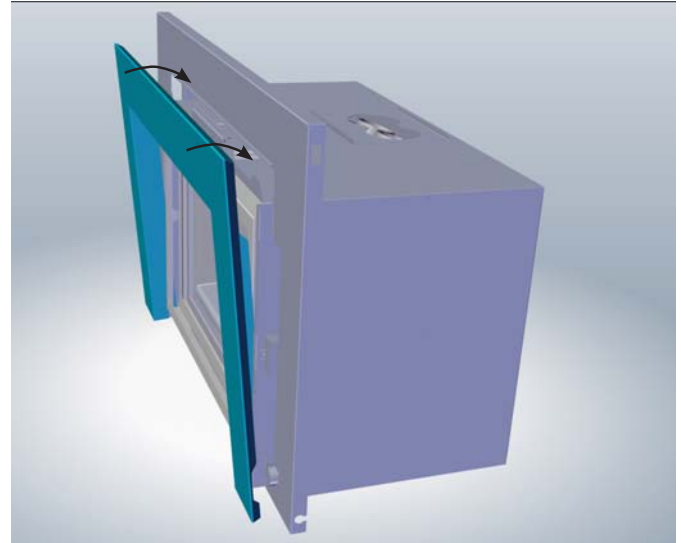


Note: Faceplate may be installed after the unit is in its final position.

- 3) Install Low Profile faceplate backing plate and secure to the unit with 5 screws (provided) in locations shown below.

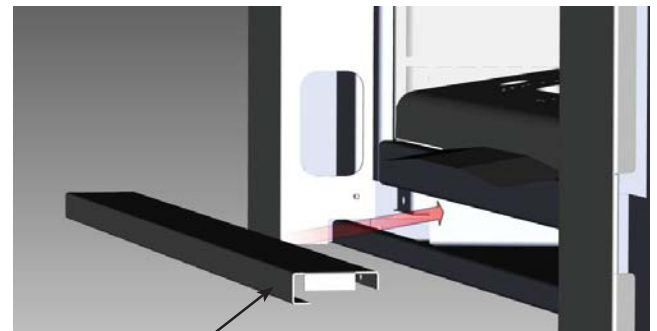


- 4) Install front faceplate—install bottom of faceplate first then lift up slightly to hook tabs on faceplate over flange on unit in locations shown below.

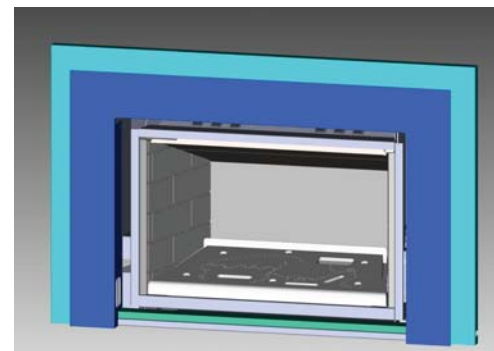


Install bottom of Front Faceplate first

- 5) Install lower trim piece oriented as shown below.



Trim



Final Install

- 6) To uninstall reverse steps.

Important: When removing Front Faceplate, lift faceplate from bottom first to release from magnets, then lift up slightly to clear flange.

OPTIONAL HEARTH TRIM INSTALLATION

Hearth Trim is an option that can be used to finish off the installation when the bottom of the fireplace is higher than the hearth or to raise the fireplace.

- 1) For units L390E/HZI390E/L540E/HZI540E—remove 4 screws in locations shown below to remove outer faceplate.

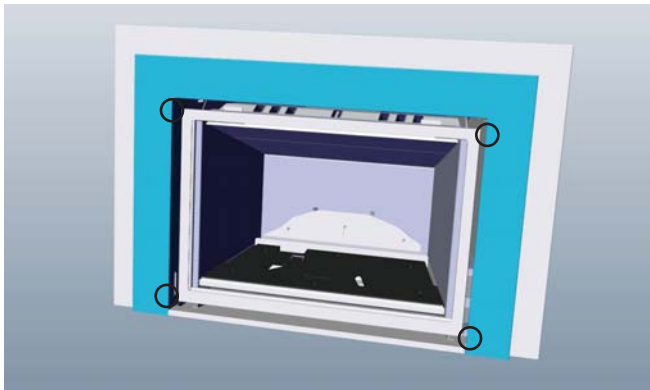


Diagram 1—Screw Locations

- 1a) For units L390PB/HZI390PB/U31/U32/E21/E33—remove outer faceplate by lifting up and out from backing plate.

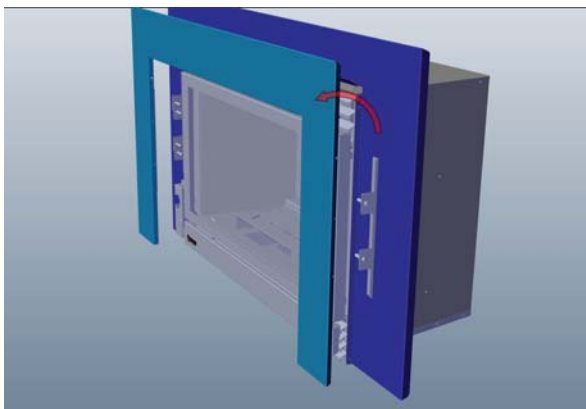


Diagram 2—Lift off Front Faceplate

**If no holes are present on the backing plate, proceed to the Step 3.

- 2) If screw holes are present on backing plate, secure the hearth trim to backing plate with 2 screws on each side.



Diagram 3—Hearth Trim Secured to Backing Plate

** If no screw holes are present.

- 3) Remove backing plate by removing 4 screws—lay down flat.

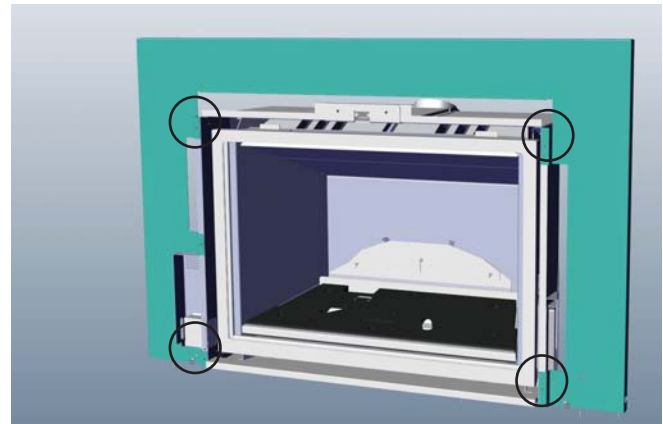


Diagram 4—Backing Plate Removal Units L390E/HZI390E/L540E/HZI540E

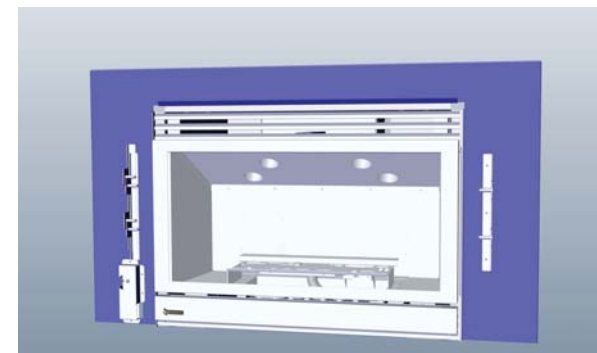


Diagram 5—Backing Plate Removal Units U31/U32/E21/E33

- 4) Secure hearth trim to backing plate with a clip on each side as shown in Diagram 6. Ensure the hearth trim is evenly spaced on either side of the backing plate.

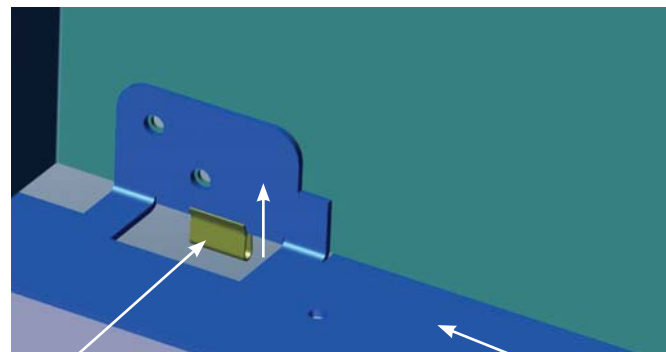
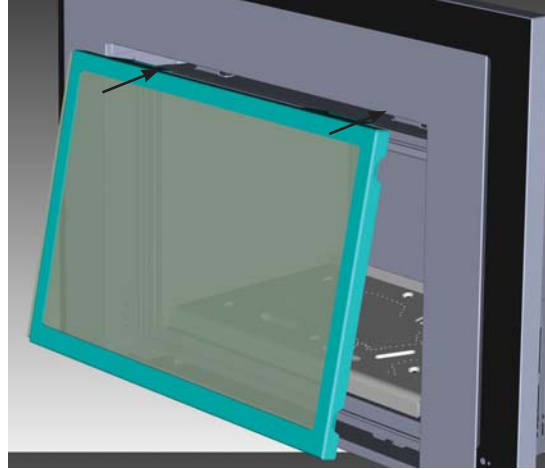


Diagram 6—Hearth Trim Clip

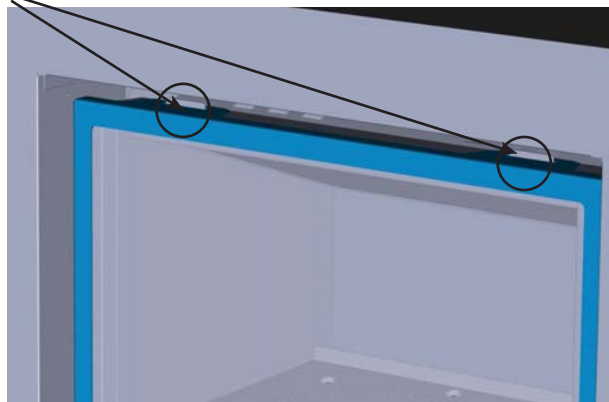
- 5) Reinstall backing plate.
6) Reinstall outer faceplate.

OPTIONAL SCREEN INSTALLATION

- 1) Install the optional screen by hooking the top of the screen over the two tabs at the top of the glass door. Locations shown in the diagrams below.



Tabs



- 2) Secure the screen by placing provided magnets between the back of the screen and the unit in locations shown below.



- 3) To remove - reverse steps.

OPERATING INSTRUCTIONS

Before operating this appliance, proceed through the following check list.

- 1) Read and understand these Instructions before operating this appliance.
- 2) Check to see that all wiring is correct and enclosed to prevent possible shock.
- 3) Check to ensure there are no gas leaks.
- 4) Make sure the glass door is in place. Never operate the appliance with the door glass removed.
- 5) Verify that all venting and the cap is unobstructed.
- 6) Verify log /glass crystal placement. If the pilot cannot be seen when lighting the unit - the logs / crystals, or the embers have been incorrectly positioned.
- 7) The unit should never be turned off and on again without a minimum of a 60 second wait.
- 8) When lighting the appliance, the inside of the glass may fog up. This will burn off after a few minutes of operation.

DO NOT BURN THE APPLIANCE WITH THE GLASS DOOR REMOVED.

LIGHTING PROCEDURE

IMPORTANT

To ignite or reignite the pilot, you must first remove the glass door.

- 1) Push in gas control knob slightly and turn to "PILOT" position.
- 2) Push control knob in all the way - hold in until the pilot lights up. Continue to hold the control knob in for about 20 seconds after the pilot is lit. Release knob.

If pilot does not light:

- 2a) Push in gas control knob slightly and turn clockwise to "OFF" position. Knob cannot be turned from "PILOT" to "OFF" unless knob is pushed in slightly. Do not force.
- 2b) Wait five (5) minutes to clear out any gas. If you then smell gas STOP! Follow step "B" in the Safety Information above on this label. If you don't smell gas, repeat Steps 1 and 2.
- 3) Push in gas control knob slightly and turn to "ON" position.
- 4) Turn ON the flame switch.

SHUTDOWN PROCEDURE

- 1) Turn off the flame switch.
- 2) Remove front fascia.
- 3) Push in the gas control knob slightly and turn clockwise to "OFF". Do not force.
- 4) Turn off all electric power to the appliance if service is to be performed. Pilot must be shut off during prolonged non use periods to conserve fuel.

FIRST FIRE

The first fire in your stove is part of the paint curing process. To ensure that the paint is properly cured, it is recommended that you burn your fireplace for at least four (4) hours the first time you use it with the fan on. When first operated, the unit will release an odour caused by the curing of the paint, the burning off of any oils remaining from manufacturing. Smoke detectors in the house may go off at this time. Open a few windows to ventilate the room for a couple of hours.

The glass panel may require cleaning after the unit has cooled down.

DO NOT ATTEMPT TO CLEAN THE GLASS WHILE IT IS HOT.

Note: When the glass is cold and the appliance is lit, it may cause condensation and fog the glass. This condensation is normal and will disappear in a few minutes as the glass heats up.

DO NOT BURN THE APPLIANCE WITHOUT THE GLASS FRONT IN PLACE.

During the first few fires, a white film may develop on the glass front as part of the curing process. The glass should be cleaned or the film will bake on and become very difficult to remove. Use a non-abrasive cleaner and NEVER clean the glass while it is hot.

AUTOMATIC CONVECTION FAN OPERATION

The fan operates automatically, turn the knob on the side of the faceplate to adjust to the desired speed. The fan will turn on as the stove comes up to operating temperature. After the unit has been turned off and the unit cooled to below a useful heat output range the fan will shut off automatically.



Glass Door Cleaning & Removal

NORMAL OPERATING SOUNDS OF GAS APPLIANCES

It is possible that you will hear some sounds from your gas appliance. This is perfectly normal due to the fact that there are various gauges and types of steel used within your appliance. Listed below are some examples. All are **normal operating sounds** and should not be considered as defects in your appliance.

Blower:

Regency gas appliances use high tech blowers to push heated air farther into the room. It is not unusual for the fan to make a "whirring" sound when ON. This sound will increase or decrease in volume depending on the speed setting of your fan speed control.

Burner Tray:

The burner tray is positioned directly under the burner tube(s) and logs and is made of a different gauge material from the rest of the firebox and body. Therefore, the varying thicknesses of steel will expand and contract at slightly different rates which can cause "ticking" and "cracking" sounds. You should also be aware that as there are temperature changes within the unit these sounds will likely re-occur. Again, this is normal for steel fireboxes.

Blower Thermodisc:

When this thermally activated switch turns ON it will create a small "clicking" sound. This is the switch contacts closing and is normal.

Pilot Flame:

While the pilot flame is on it can make a very slight "whisper" sound.

Gas Control Valve:

As the gas control valve turns ON and OFF, a dull clicking sound may be audible, this is normal operation of a gas regulator or valve.

Unit Body/Firebox:

Different types and thicknesses of steel will expand and contract at different rates resulting in some "cracking" and "ticking" sounds will be heard throughout the cycling process.

COPY OF LIGHTING INSTRUCTION PLATE

FOR YOUR SAFETY READ BEFORE LIGHTING

This appliance must be installed in accordance with local codes, if any; if none, follow the National Fuel Gas Code, ANSI Z223.1/NFPA 54, or Natural Gas and Propane Installation Codes, CSA B149.1.

WARNING: If you do not follow these instructions exactly, a fire or explosion may result causing property damage, personal injury or loss of life. Improper installation, adjustment, alteration, service or maintenance can cause injury or property damage. Refer to the owner's information manual provided with this appliance. For assistance or additional information consult a qualified installer, service agency or gas supplier.

AVERTISSEMENT: Quiconque ne respecte pas à la lettre les instructions dans la présente notice risquerait déclencher un incendie ou une explosion entraînant des dommages, des blessures ou la mort.

Une installation, d'ajustement, de modification, de service ou d'entretien peut provoquer des blessures ou des dommages matériels. Reportez-vous au manuel du propriétaire de l'information fournie avec cet appareil. Pour obtenir de l'aide ou des informations supplémentaires consulter un installateur qualifié, une agence de service ou fournisseur de gaz.

A) This appliance is equipped with an ignition device which automatically light the pilot. Do not try to light the pilot by hand.

B) BEFORE LIGHTING smell all around the appliance area for gas. Be sure to smell next to the floor because some gas is heavier than air and will settle on the floor.

WHAT TO DO IF YOU SMELL GAS

- Do not try to light any appliance
- Do not touch any electric switch, do not use any phone in your building.
- Immediately call your gas supplier from a neighbour's phone. Follow the gas supplier's instructions.
- If you cannot reach your gas supplier, call the fire department.

C) Do not use this appliance if any part has been under water. Immediately call a qualified service technician to inspect the appliance and to replace any part of the control system and any gas control which has been under water.

A) Cet appareil est muni d'un dispositif d'allumage qui allume automatiquement la veilleuse. Ne tentez pas d'allumer la veilleuse manuellement.

B) AVANT DE FAIRE FONCTIONNER, reniflez tout autour de l'appareil pour détecter une odeur de gaz. Reniflez près du plancher, car certains gaz sont plus lourds que l'air et peuvent s'accumuler au niveau du sol.

QUE FAIRE SI VOUS SENTEZ UNE ODEUR DE GAZ :

- Ne pas tenter d'allumer d'appareil
- Ne touchez à aucun interrupteur; ne pas vous servir des téléphones se trouvant dans le bâtiment.
- Appelez immédiatement votre fournisseur de gaz depuis un voisin. Suivez les instructions du fournisseur.
- Si vous ne pouvez rejoindre le fournisseur, appelez le service des incendies

C) N'utilisez pas cet appareil s'il a été plongé dans l'eau, même partiellement. Faites inspecter l'appareil par un technicien qualifié et remplacez toute partie du système de contrôle et toute commande qui ont été plongés dans l'eau.

CAUTION: Hot while in operation. Do not touch. Severe Burns may result. Due to high surface temperatures keep children, clothing and furniture, gasoline and other liquids having flammable vapors away. Keep burner and control compartment clean. See installation and operating instructions accompanying appliance.

LIGHTING INSTRUCTIONS

STOP! Read the safety information above on this label.

FOR ALL PROPANE UNITS AND UNITS EQUIPPED WITH ELECTRIC SPARK BOXES:

- 1) Push in gas control knob slightly and turn to "PILOT" position.
- 2) Push control knob in all the way - hold in until the pilot lights up. Continue to hold the control knob in for about 20 seconds after the pilot is lit. Release knob.

If pilot does not light:

- 2a) Push in gas control knob slightly and turn clockwise to "OFF" position. Knob cannot be turned from "PILOT" to "OFF" unless knob is pushed in slightly. Do not force.
- 2b) Wait five (5) minutes to clear out any gas. If you then smell gas STOP! Follow step "B" in the Safety Information above on this label. If you don't smell gas, repeat Steps 1 and 2.
- 3) Push in gas control knob slightly and turn to "ON" position.
- 4) Turn ON the flame switch.

1) Enfoncez légèrement le bouton de commande de gaz et tournez en position 'PILOT'.

2) Maintenez le bouton enfoncé jusqu'à ce que la veilleuse s'allume et pendant encore 20 secondes après qu'elle se soit allumée. Relâchez le bouton

Si le pilote ne s'allume pas:

- 2a) Enfoncez le bouton de commande de gaz légèrement et tournez-vous dans le sens des aiguilles d'une montre vers la position de "OFF". Le bouton ne peut pas être tourné du « PILOTE » à "OFF" à moins que le bouton soit enfoncé légèrement. Ne forcez pas.
- 2b) Attendez cinq (5) minutes pour laisser se dissiper le gaz. Après ce temps, si vous sentez une odeur de gaz, ARRÊTEZ! Suivez l'étape B des renseignements de sécurité sur l'étiquette. S'il n'y a aucune odeur, répétez les étapes 1 et 2.
- 3) Enfoncez légèrement le bouton de commande de gaz en position ON.
- 4) Actionnez l'interrupteur de flamme

TO TURN OFF GAS APPLIANCE

- | | |
|--|---|
| <ol style="list-style-type: none"> 1) Turn off the flame switch. 2) Push in the gas control knob slightly and turn clockwise to "OFF". Do not force. 3) Turn off all electric power to the appliance if service is to be performed.
Pilot must be shut off during prolonged non use periods to conserve fuel. | <ol style="list-style-type: none"> 1) Fermez l'interrupteur de flamme. 2) Enfoncez légèrement le bouton de commande de gaz et tournez dans le sens horaire, en position OFF. Ne forcez pas. 3) Avant d'effectuer des opérations d'entretien, coupez l'alimentation électrique de l'appareil. Pour économiser le carburant, éteignez la veilleuse lorsque l'appareil reste longtemps inutilisé. |
|--|---|

DO NOT REMOVE THIS INSTRUCTION PLATE

919-277

MAINTENANCE INSTRUCTIONS

- 1) Always turn the gas valve to off before cleaning. For relighting, refer to lighting instructions. Keep the burner and control compartment clean by brushing and vacuuming at least once a year. When cleaning the logs, use a clean soft paint brush as the logs are fragile and easily damaged.
- 2) Clean (never when unit is hot) appliance, door and louvers with a damp cloth. Never use an abrasive cleaner. The gold louvers (and optional gold door) may be scratched if abrasives are used to clean them.
The heater is finished in a heat resistant paint and should only be refinished with heat resistant paint (not with wall paint). Regency uses StoveBrite Paint - Metallic Black #6309.
- 3) Make a periodic check of burner for proper position and condition. Visually check the flame of the burner periodically, making sure the flames are steady; not lifting or floating. If there is a problem, call a qualified service person.
- 4) The appliance and venting system must be inspected before use, and at least annually, by a qualified field service person, to ensure that the flow of combustion and ventilation air is not obstructed.
During the annual service call, the burners should be removed from the burner tray and cleaned. Replace the embers but do not block the pilot.
- 5) Keep the area near the appliance clear and free from combustible materials, gasoline and other flammable vapours and liquids
- 6) Each time the appliance is lit, it may cause condensation and fog the glass. This condensation and fog is normal and will disappear in a few minutes as the glass heats up.

Never operate the appliance without the glass properly secured in place or with the door open.
- 7) Do not use this appliance if any part has been under water. Immediately call a qualified service technician to inspect the appliance and to replace any part of the control system and any gas control which has been under water.
- 8) Periodically check the pilot flames. Correct flame pattern has three strong blue flames: 1 flowing around the thermopile and 1 around the thermocouple, and 1 flowing across the rear of the burner (it does not have to be touching the burner).

WARNING: CHILDREN AND ADULTS SHOULD BE ALERTED TO THE HAZARDS OF HIGH SURFACE TEMPERATURE AND SHOULD STAY AWAY TO AVOID BURNS OR CLOTHING IGNITION. YOUNG CHILDREN SHOULD BE CAREFULLY SUPERVISED WHEN THEY ARE IN THE SAME ROOM AS THE APPLIANCE.

CAUTION: ANY SAFETY SCREEN OR GUARD REMOVED FOR SERVICING AN APPLIANCE MUST BE REPLACED PRIOR TO OPERATING THE APPLIANCE.

CLOTHING OR OTHER FLAMMABLE MATERIAL SHOULD NOT BE PLACED ON OR NEAR THE APPLIANCE.

DOOR GLASS

Your Regency insert is supplied with high temperature, Neoceram ceramic glass that will withstand the highest heat that your unit will produce. If your glass requires cleaning, we recommend using an approved glass cleaner available at all authorized dealers. Do not use abrasive materials. Do not clean the glass when hot.

In the event that you break your glass by impact, purchase your replacement from an authorized Regency dealer only, and follow our step-by-step instructions for replacement.

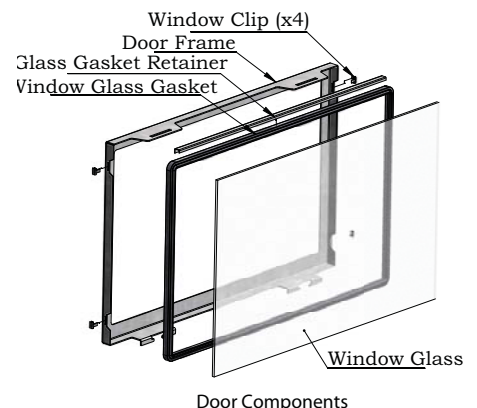
Warning: Do not operate appliance with glass panels removed, cracked or broken. Replacement of the glass should be done by a licensed or qualified service person.

CAUTION & WARNINGS:

- * Do not clean when the glass is hot.
- * The use of substitute glass will void all product warranties.
- * Care must be taken to avoid breakage of the glass.
- * Do not strike or abuse the glass.
- * Do not operate this fireplace without the glass front or with a cracked or broken glass front.
- * Wear gloves when removing damaged or broken glass.
- * Replacement of the glass panel(s) should be done by a licensed or qualified service person.

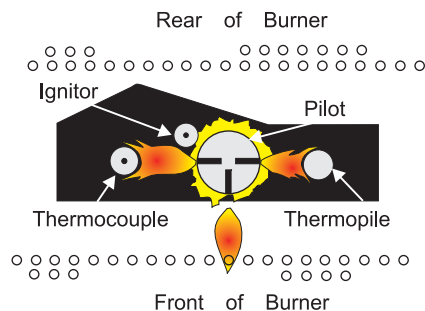
GLASS REPLACEMENT

In the event that you break your glass by impact, purchase your replacement from an authorized Regency® dealer only. Replacement Neoceram glass (#940-371/P) is shipped with a gasket.



PILOT ADJUSTMENT

Periodically check the pilot flames. Correct flame pattern has three strong blue flames: 1 flowing around the thermopile, 1 around the thermocouple and 1 flowing across the burner (it does not have to be touching the burner).



Note: If you have an incorrect flame pattern, contact your Regency® dealer for further instructions.

Incorrect flame pattern will have small, probably yellow flames, not coming into proper contact with the rear burner or flame sensor.

GENERAL VENT MAINTENANCE

Conduct an inspection of the venting system semi-annually. Recommended areas to inspect as follows:

- 1) Check the Venting System for corrosion in areas that are exposed to the elements. These will appear as rust spots or streaks, and in extreme cases, holes. These components should be replaced immediately.
- 2) Remove the Termination Cap, and shine a flashlight down the Vent. Remove any bird nests, or other foreign material.
- 3) Check for evidences of excessive condensation, such as water droplets forming in the inner liner, and subsequently dripping out the joints. Continuous condensation can cause corrosion of caps, pipe, and fittings. It may be caused by having excessive lateral runs, too many elbows, and exterior portions of the system being exposed to cold weather.
- 4) Inspect joints, to verify that no pipe sections or fittings have been disturbed, and consequently loosened. Also check mechanical supports such as Wall Straps, or plumbers' tape for rigidity.

LOG REPLACEMENT

The unit should never be used with broken logs. Turn off the gas valve and allow the unit to cool before opening door to carefully remove the logs. The pilot light generates enough heat to burn someone. If for any reason a log should need replacement, you must use the proper replacement log. The position of these logs must be as shown in the diagram under Log Installation.

NOTE: Improper positioning of logs may create carbon build-up and will alter the unit's performance which is not covered under warranty.

GLASS GASKET

If the glass gasket requires replacement use glass gasket for the Flush Front (Part # 936-112).

GLASS CRYSTAL BURNER REMOVAL / INSTALLATION HZI390PB

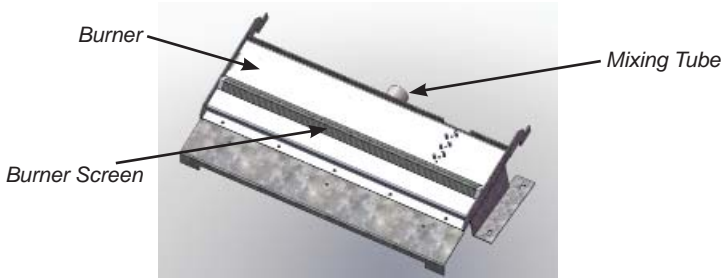
Disconnect unit from gas supply and allow unit to cool before removing burner.

GLASS BURNER REMOVAL

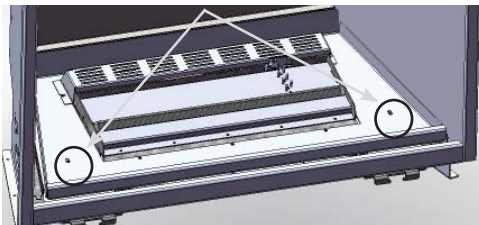
- 1) If already installed, removed glass crystals and ceramic spa stones.
- 2) Remove filler sections from right and left sides of burner. Discard filler section if enamel panels are to be installed - see below.



Filler section



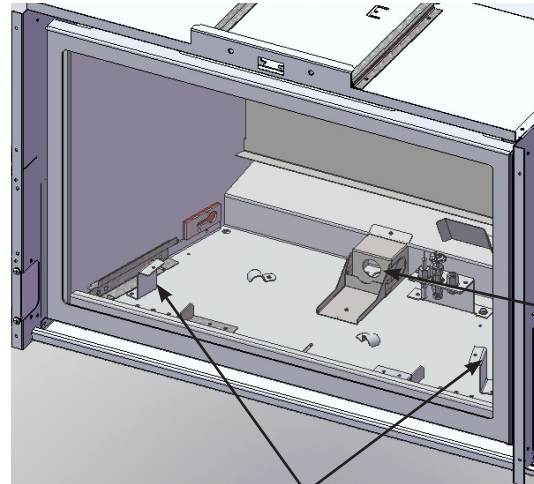
- 3) Remove the 2 screws as shown. Lift the burner with both hands.



- 4) Pull gently upwards and outwards to the front of the firebox.
- 5) Continue onto burner installation.

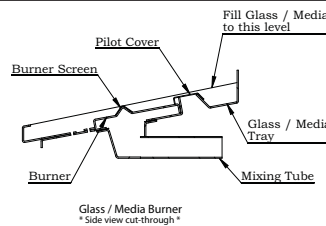
GLASS BURNER INSTALL

- 1) Lift the burner assembly with both hands. Point the mixing tube towards the rear of the firebox. Lean the rear of the burner assembly downward. Partially lift the burner assembly so that the mixing tube will then slide into the air shutter.
- 2) Lower the front edge of the burner assembly so that the burner front mounting tab rests on the burner mounting bracket left and right, near the front of the firebox. These tabs will not line up unless the mixing tube is inside the air shutter at the rear of the firebox.



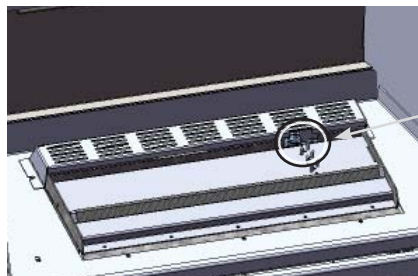
Burner Mounting Brackets

Care must be taken when installing the burner into the firebox. Do not damage, knock or scrap the pilot assembly. The flame sensor and ignition lead are fragile and can be damaged easily.



- 3) Place the Burner Cover Screen over the Burner Ports. Place the Pilot Cover over the rear gap between the Burner and the Media Tray. This will sit around the Pilot Provision.
- 4) Distribute the glass crystals throughout the Media Tray. The media should be level with the side of the Media Tray.

**** Do not to install glass or other media over or in front of the Pilot Provision as shown.**



Important:
Do not to install glass or other media in this area, as this will black the path of the pilot to the burner.

L390PB CERAMIC BURNER REMOVAL / INSTALLATION

REMOVAL

- 1) Remove left/right filler sections - see below.
Discard fillers only if inner panels are being installed.



Left /right filler sections.

- 2) Remove burner by removing left and right screws off the burner bracket.



- 3) Lift the Burner slightly while pulling forward to clear the mixing tube.

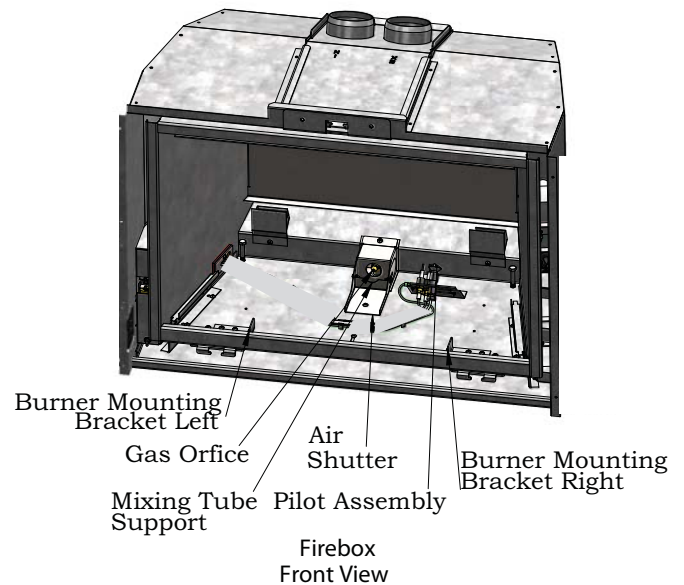


- 4) To install - reverse Steps 3-2, see Step 1 for correct installation tips.

INSTALLATION

Care must be taken when installing the burner into the firebox.
Do not damage, knock or scrape the pilot assembly.
The flame sensor and ignition lead are fragile and can be damaged easily.

*Satin black paint is included if touch ups are required.



Important Note:

A correctly installed burner - the burner is back far enough, lower the front edge so that the front flange of the burner (underneath) sits down into the grooves in the burner mounting brackets Left and Right. There will be a small gap between the Ceramic Burner and the firebox Bottom Flange. The Burner should be situated about ¼" (6mm) inside the front edge of the firebox.



FAN REMOVAL / INSTALLATION

Note: To access the rear access panel, both the gas and venting (see vent/flue installation in this manual) will need to be disconnected for proper removal. There is no access to the blower from the front of this appliance.

Before you begin:
Shut off the gas supply to the unit.
Disconnect all electrical supply to the unit.
Always let the appliance cool to room temperature before servicing.

1. Remove 9 screws and loosen 5 screws along the bottom to remove fan access panel -see Diagram 1

○ = Remove
 □ = Loosen

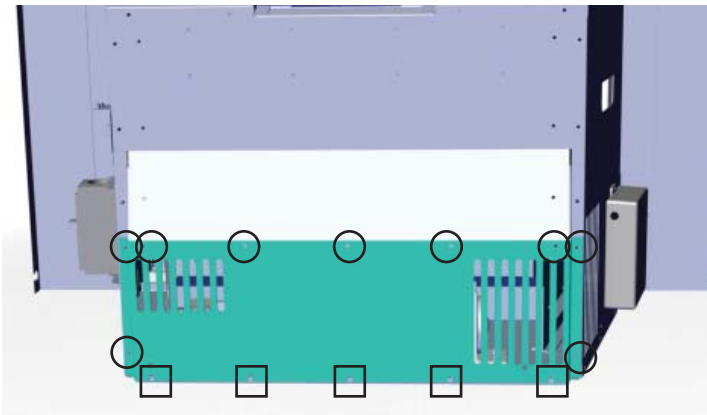
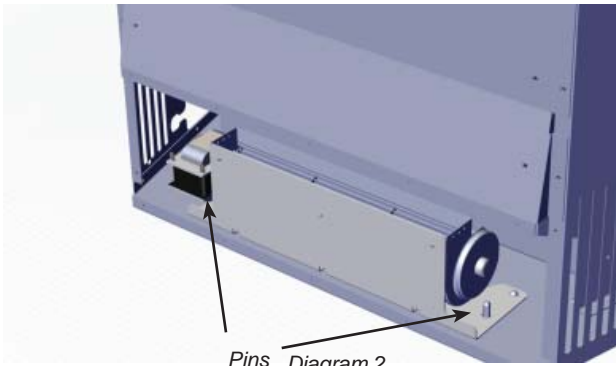


Diagram 1

2. Lift fan bracket and fan off pins from base of unit.



Pins Diagram 2

3. Pull out bracket and fan, disconnect wires. Remove fan (to service or replace) from bracket by removing three (3) screws as shown below.

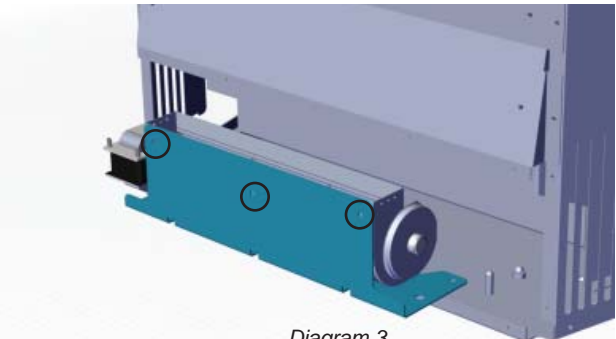


Diagram 3

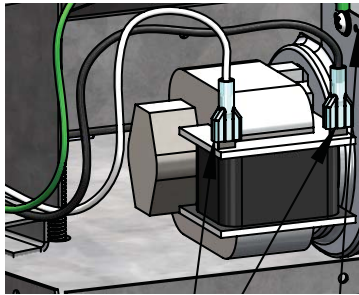
FAN INSTALLATION

4. Position gasket between fan and back access panel as shown below in Diagram 4. Secure fan and gasket to fan bracket with 3 screws.



Diagram 4

5. Connect the wires from the wire harness to the fan terminals (see Diagram 5a) and connect the other end to the wires of the fan control box (see Diagram 5b). See wiring diagram on next in this manual.



Fan Terminals
 Diagram 5a



Fan Control Box
 Diagram 5b

6. Reverse steps 2-1.

VALVE REPLACEMENT

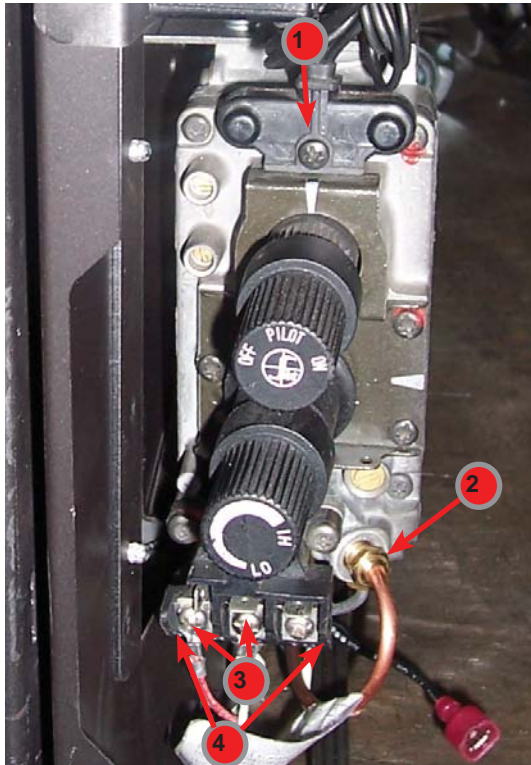
Before you begin:

* Shut off the gas supply to the unit.
Disconnect electrical supply to the unit.

Always let the appliance cool to room temperature before servicing.

Remove unit flue collars (see section in manual) slide unit out.

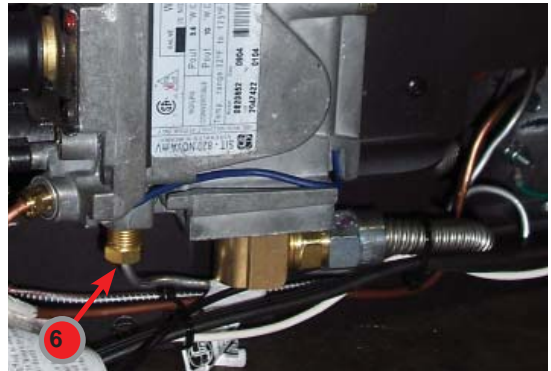
1. Disconnect the following from the valve:
 1. DC sparker
 2. Thermocouple
 3. Thermopile leads
 4. ON/OFF control



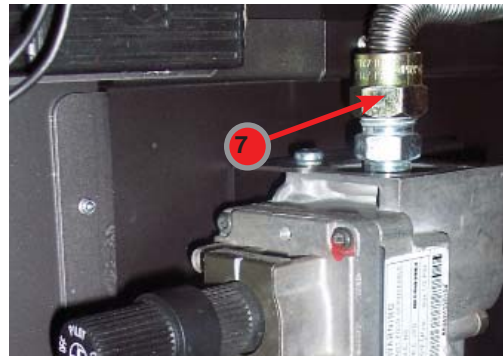
2. Disconnect the Gas Orifice supply line (5) from the outlet of the Gas Valve.



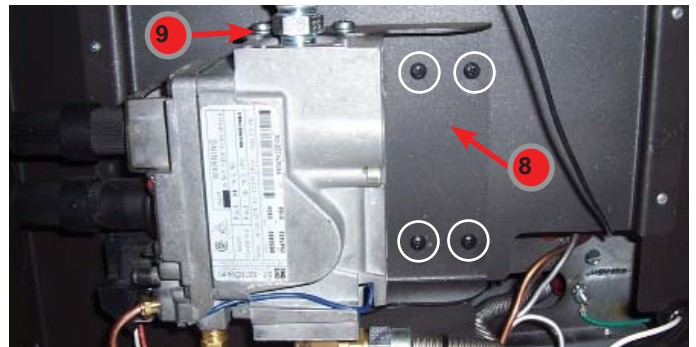
3. Disconnect the Pilot Supply Line (6) from the Gas Valve



4. Disconnect the Gas Supply Line (7) from the On/Off Safety Shut off Valve.



5. Loosen 4 screws (8) that secure the Gas Valve Mounting bracket, slide bracket up to release.



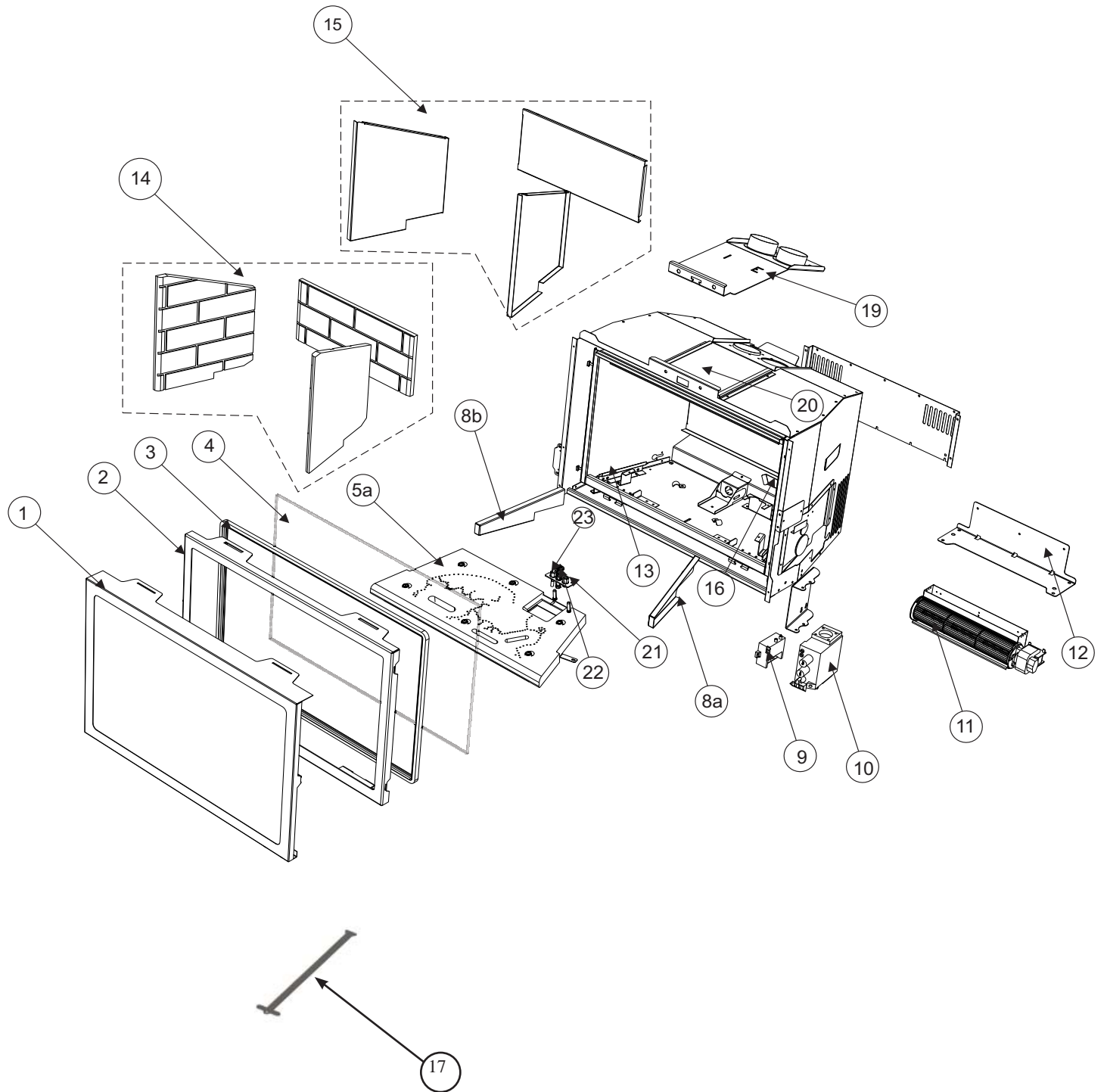
6. Remove valve from bracket by removing 4 screws (9).

7. Replace valve and reverse steps to reinstall.

MAIN ASSEMBLY

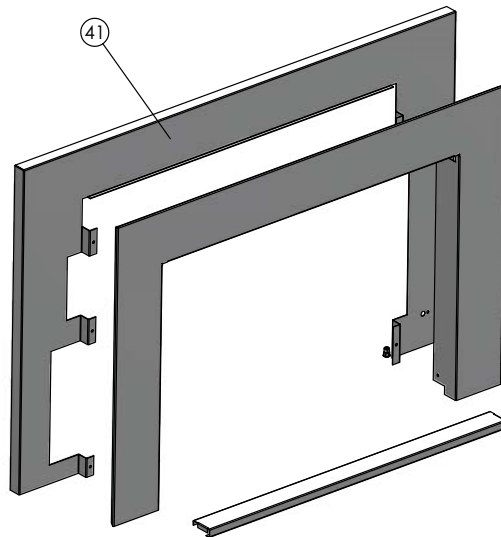
Part #	Description	Part #	Description
1	397-929 Screen assembly	12	416-018 Fan bracket
2	396-035 Door Frame	13	396-043 FB Liner Retainers
3	936-159 Door Gasket	14	396-901 Brick Panels - Brown
4	940-371/P Door Glass		396-902 Brick Panels - Red
5	398-525/P Glass Burner (not shown)	15	396-908 Enamel Panels
5a	398-530 Log burner		396-525 Glass Burner Assembly
6	910-038 Pilot Assembly NG		Various Glass Crystals
	910-039 Pilot Assembly LP	16	296-145 Pilot Shield
7	910-036 Pilot orifice NG	17	396-042/f Door Tool
	910-037 Pilot orifice LP	19	416-535 Flue adaptor assembly
8a	416-019 Filler section- right	20	398-018 Flue Connector Gasket
8b	396-114 Filler section- left		919-275 Manual
9	910-073 DC sparker	*	Not Shown
	910-074 DC sparker wire	*	911-149 Fan Thermodisc
10	910-568 Sit valve 820	*	904-790 Magnets (ea)
11/12	416-517/P Fan assembly	*	820-389 Thermodisc bracket
11	911-071/P Fan Motor only		398-003 Log Stand
			398-930 Log Set
			396-112 Glass Gasket Retainer
			904-691 Glass clip (ea)
			910-372 Valve extension knob Hi/Lo
			910-373 Valve extension knob pilot/ON/OFF
			904-946 NG burner orifice #37
			904-947 LP burner orifice #53
		21	910-033 Pilot Assembly NG
			910-039 Pilot Assembly LP
		22	910-341 Thermopile
		23	910-356 Thermocouple
		*	910-096 3 way pilot hood
		*	910-030 Spark electrode
		*	910-432 Pilot Tube

PARTS LIST



LOW PROFILE FACEPLATE

	Part #	Description
41	416-922	3 sided low profile faceplate - Sunset bronze
	416-924	3 sided low profile faceplate - Metallic black
	416-925	3 sided low profile faceplate - Iron grey



NOTES

NOTES



Regency Fireplace Products are designed with reliability and simplicity in mind. In addition, our internal Quality Assurance Team carefully inspects each unit thoroughly before it leaves our facility. FPI Fireplace Products International Ltd. is pleased to extend this limited lifetime warranty to the original purchaser of a Regency Product. This warranty is not transferable.

The Warranty: Limited Lifetime

The combustion chamber, heat exchanger, burner tubes/pans, logs, brick panels and gold plating (against defective manufacture only) are covered under the Limited Lifetime Warranty for five (5) years for parts and subsidized labour* and parts only thereafter.

Glass is covered for lifetime against thermal breakage only, parts and subsidized labour* for five (5) years and parts only thereafter from date of purchase.

External casting, surrounds and grills are covered against cracks and warps resulting from manufacturer defects, parts and subsidized labour* for three (3) years from the date of purchase and parts only thereafter.

Special Finishes - One year on brushed nickel and antique copper full screens and doors. You can expect some changes in color as the product "ages" with constant heating and cooling. FPI warrants the product for any manufacturing defects on the original product. However, the manufacturers warranty does not cover changing colors and marks, ie. finger prints, etc applied after the purchase of the product. Damage from the use of abrasive cleaners is not covered by warranty.

Electrical and mechanical components such as blowers, switches, wiring, thermodiscs, FPI remote controls, spill switches, thermopiles, thermocouples, pilot assembly components, and gas valves are covered for two years parts and one year subsidized labour* from the date of purchase. Blowers and valves replaced under warranty are considered repairs and continue as if new with appliance. ie. twelve (12) months from original purchase date of appliance with a minimum of three (3) months coverage from date of replacement.

FPI venting components are covered parts and subsidized labour* for three (3) years from date of purchase.

Simpson Dura-Vent venting components (Direct Vent units) are covered by Simpson Dura-Vent Inc. warranty.

Repair/replacement parts purchased by the consumer from FPI after the original coverage has expired on the unit will carry a 90 day warranty, valid with a receipt only. Any item shown to be defective will be repaired or replaced at our discretion. No labor coverage is included with these parts.

Conditions:

Any part or parts of this unit which in our judgement show evidence of such defects will be repaired or replaced at FPI's option, through an accredited distributor or agent provided that the defective part be returned to the distributor or agent **Transportation Prepaid**, if requested.

Porcelain/Enamel - Absolute perfection is neither guaranteed nor commercially possible. Any chips must be reported and inspected by an authorized dealer within three days of installation. Reported damage after this time will be subject to rejection.

It is the general practice of FPI to charge for larger, higher priced replacement parts and issue credit once the replaced component has been returned to FPI and evaluated for manufacturer defect.

The authorized selling dealer is responsible for all in-field service work carried out on your Regency product. FPI will not be liable for results or costs of workmanship from unauthorized service persons or dealers.

At all times FPI reserves the right to inspect product in the field which is claimed to be defective.

All claims must be submitted to FPI by authorized selling dealers. It is essential that all submitted claims provide all of the necessary information including customer name, purchase date, serial #, type of unit, problem, and part or parts requested, without this information the warranty will be invalid.

Exclusions:

This limited Lifetime Warranty does not extend to or include paint, door or glass gasketing or trim.

At no time will FPI be liable for any consequential damages which exceed the purchase price of the unit. FPI has no obligation to enhance or modify any unit once manufactured. ie. as products evolve, field modifications or upgrades will not be performed.

FPI will not be liable for travel costs for service work.

Installation and environmental problems are not the responsibility of the manufacturer and therefore are not covered under the terms of this warranty policy.

Embers, rockwool, gaskets, door handles and paint are not covered under the terms of this warranty policy.

Any unit which shows signs of neglect or misuse is not covered under the terms of this warranty policy.

The warranty will not extend to any part which has been tampered with or altered in any way, or in our judgment has been subject to misuse, improper installation, negligence or accident, spillage or downdrafts caused by environmental or geographical conditions, inadequate ventilation, excessive offsets, negative air pressure caused by mechanical systems such as furnaces, fans, clothes dryer, etc.

Freight damage to stoves and replacement parts is not covered by warranty and is subject to a claim against the freight carrier by the dealer.

FPI will not be liable for acts of God, or acts of terrorism, which cause malfunction of the appliance.

Performance problems due to operator error will not be covered by this warranty policy.

Products made or provided by other manufacturers and used in conjunction with the operation of this appliance without prior authorization from FPI, may nullify your warranty on this product.

Any alteration to the unit which causes sooting or carboning that results in damage to the interior / exterior facia is not the responsibility of FPI.

Register your Regency® warranty online www.regency-fire.com

Reasons to register your product online today!

- View and modify a list of all your registered products.
- Request automatic email notification of new product updates.
- Stay informed about the current promotions, events, and special offers on related products.

Installer: Please complete the following information

Dealer Name & Address: _____

Installer: _____

Phone #: _____

Date Installed: _____

Serial No.: _____



Liberty L390PB



Horizon HZI390PB