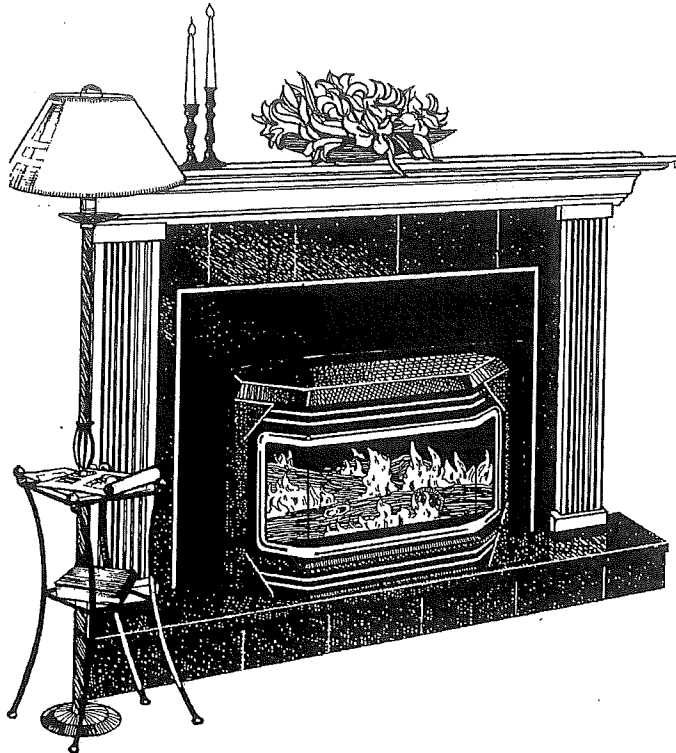


INSTALLATION AND OPERATING INSTRUCTIONS FOR THE I40 GAS INSERT STOVE



**MODEL I40-NG NATURAL GAS
MODEL I40-LP PROPANE GAS**

LISTINGS AND CODE APPROVALS

The gas appliances have been tested in accordance with AG 103 and approved by the Australian Gas Association for installation and operation according to these instructions

Your unit should be serviced annually by a qualified service person.

Install to AG 601 or local codes

PLEASE KEEP THESE INSTRUCTIONS FOR FUTURE REFERENCE



IMPROPER INSTALLATION, ADJUSTMENT, ALTERATION, SERVICE OR MAINTENANCE CAN CAUSE INJURY OR PROPERTY DAMAGE. REFER TO THIS MANUAL FOR ASSISTANCE OR ADDITIONAL INFORMATION. CONSULT A QUALIFIED INSTALLER, SERVICE AGENCY OR THE GAS SUPPLIER.

FOR YOUR SAFETY

What to do if you smell gas ?

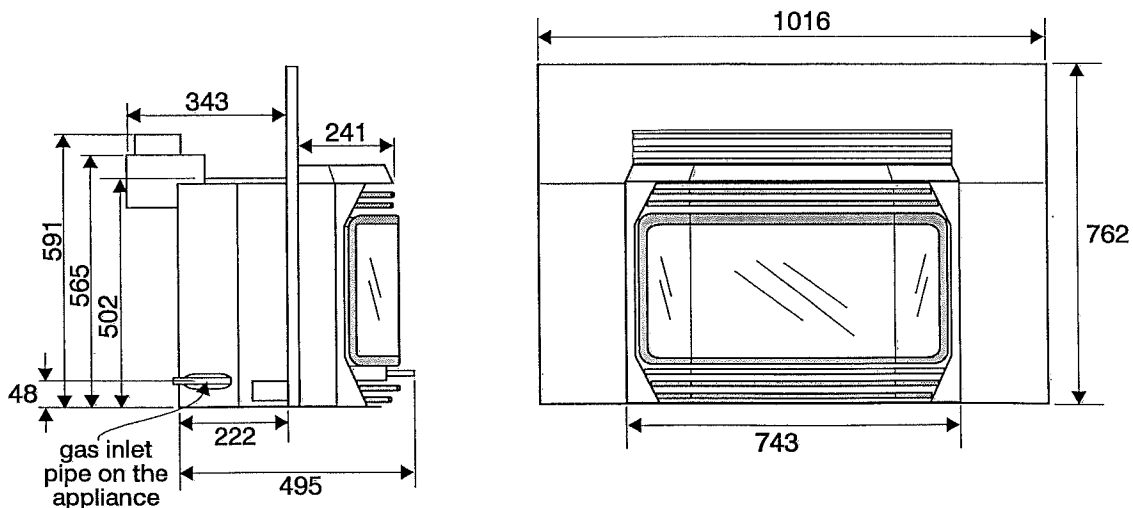
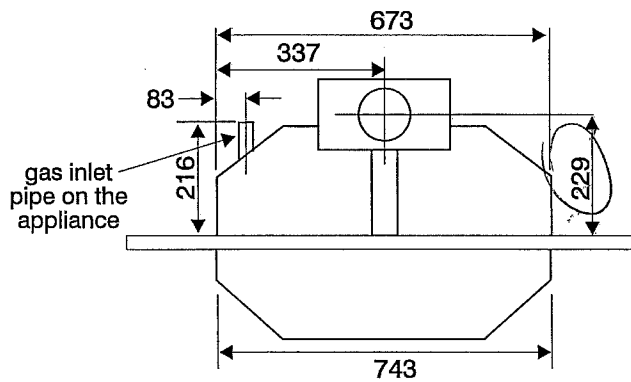
- 1) Open windows.
- 2) Turn off main gas supply
- 3) Do not touch any electrical switch
- 4) Extinguish any open flames
- 5) Immediately call your gas supplier

Do not store or use gasoline or other flammable vapours and liquids in the vicinity of this or any other appliance.

REGENCY I40 GAS FIREPLACE INSERT

TO THE NEW OWNER

Congratulations! You are the owner of a state-of-the-art Gas Insert by REGENCY. The REGENCY I40 Gas Fireplace Series of hand crafted appliances has been designed to provide you with all the warmth and charm of a wood fireplace, at the flick of a switch. The model I40 of this series has been approved by the Australian Gas Association for both safety and efficiency. As it also bears our own mark, it promises to provide you with economy, comfort and security for many trouble free years to follow. Please take a moment now to acquaint yourself with these instructions and the many features of your Regency Fireplace.



All dimensions are in millimeters

TABLE OF CONTENTS

TABLE OF CONTENTS

SAFETY LABEL		OPERATING INSTRUCTIONS	
Safety Label	4	Optional Wall Thermostat Installation	17
		Operating Instructions	17
		Lighting Procedure	17
		Shutdown Procedure	18
		First Fire	18
		Automatic Convention Fan Operation	18
INSTALLATION REQUIREMENTS		MAINTENANCE	
For your safety	5	Maintenance instructions	19
Gas Pipe Testing	5	Log Replacement	20
Specifications	5	Gold plated Doors	20
Before you start	5	Door Gasket and Glass Gasket	20
General Safety Information	5	Latch Adjustment	20
Clearances to combustibles	6	Glass Replacement	20
Clearances to combustibles (con't)	7	Glass removal	21
Wiring Diagram	7	Fan Maintenance	21
		Removing fan	21
		Replacing fan	21
		Parts List	22
		Notes	23
INSTALLATION INSTRUCTIONS			
Materials Required	8		
Installation Sequence	8		
Fluing	8		
Draft Hood Connection	8		
Combustion & Ventilation Air	9		
Gas Connection	9		
Specifications table	9		
Faceplate & Trim Installation	10		
Brick Panels	11		
Log Installation	11		
Door Installation & Door Latches	13		
Gas Pressure Test	14		
Aeration System	14		
Test For Flue Spillage	15		
Troubleshooting table	16		

SAFETY LABELS

Regency Gas Fireplace

Model	<input type="radio"/>	<input type="radio"/>	<input type="radio"/>	<input type="radio"/>	<input type="radio"/>	<input type="radio"/>
Gas Type	Nat	Prop	Nat	Prop	Nat	Prop
Model	I24NG	I24LP	I30NG	I30LP	I40NG	I40LP
Gas Consumption	24mj.	24mj.	28mj.	28mj.	39mj.	39mj.
Manifold Pressure	.875kpa	2.6kpa	.85kpa	2.74kpa	.85kpa	2.5kpa
Injector Size -Front:	1x#43	1x#54	1x#38	1x#53	1x#49	1x#56
-Back:	n/a	n/a	n/a	n/a	1x#42	1x#54
AGA Approval No. to Code AG103	5192	5192			5341	5341

Distributed by:

Australian Heating Distributors Pty. Ltd.
49 James St.
Guildford, WA, 6055

To be installed in a non-combustible fireplace by an authorized person in accordance with installation instructions provided with the appliance

Electrical Conforms to AS3100 240V 50Hz 1.0 amp Max.

Serial Number

908-568

THE GUARD IS FITTED TO THIS APPLIANCE TO REDUCE THE RISK OR FIRE OR INJURY FROM BURNS AND NO PART OF IT SHOULD BE PERMANENTLY REMOVED.

FOR PROTECTION OF YOUNG CHILDREN OR THE INFIRM, A SECONDARY GUARD IS REQUIRED.

INSTALLATION REQUIREMENTS

IMPORTANT: SAVE THESE INSTRUCTIONS

The Regency I40 Gas Fireplace must be installed in accordance with these instructions. Carefully read all the instructions in this manual first.

NOTE: Failure to follow these instructions could cause a malfunction of the heater which could result in death, serious bodily injury, and/or property damage. Failure to follow these instructions may also void your fire insurance and/or warranty.

FOR YOUR SAFETY

This appliance requires air for proper combustion. Always provide adequate combustion and ventilation air. Follow instructions and information in the current AG 601 or local codes

GAS PIPE TESTING

The appliance must be isolated from the gas supply piping system by closing its individual manual shutoff valve during any pressure testing of the gas supply piping system at test pressures equal to or less than 1/2 psig. (3.45 kPa).

SPECIFICATIONS

Fuel: Natural Gas or Propane
Electrical: 240 volt. system
Fan/Blower: Two speed, 140 CFM
Log Sets: Ceramic fibre, 4 per set

BEFORE YOU START

Installation is to be carried out ONLY by an authorised person.

- 1) The appliance installation must conform with local codes or in the absence of local codes, with AG 601. This appliance **MUST** be installed by a qualified gas fitter technician only.
- 2) Installation and repair should be done by a qualified service person.
- 3) The appliance should be inspected before use and at least annually by a professional service person. More frequent cleaning may be required due to excessive lint from carpeting, bedding material, etc. It is imperative that control compartments, burners and circulating air passageways of the appliance be kept clean and free from excessive lint from carpeting.
- 4) See general construction and assembly instructions. This appliance may only be installed in a vented, noncombustible fireplace. The appliance and vent should be enclosed when installed or passing through a living area, where children may come in contact with it.
- 5) Always connect this fireplace to a chimney and vent to the outside of the building envelope. Never vent to another room or inside a building. Make sure that the vent is properly sized and is of adequate height to provide the proper draft.
- 6) Inspect the venting system annually for blockage and any signs of deterioration.
- 7) Any safety glass removed for servicing must be replaced prior to operating the appliance.
- 8) To prevent injury, do not allow anyone who is unfamiliar with the operation to use the fireplace.

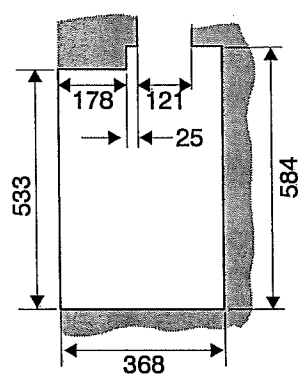
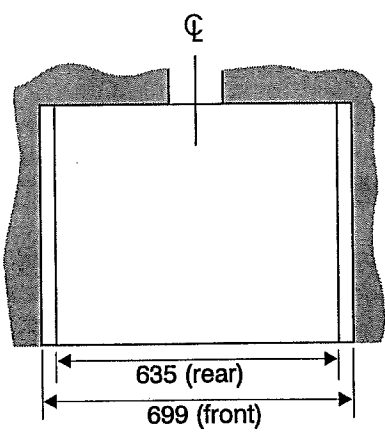
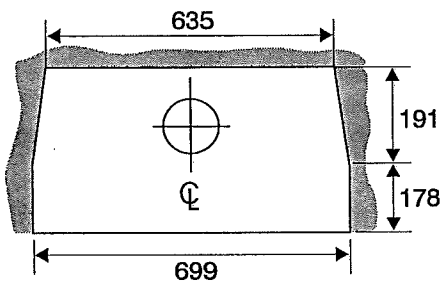
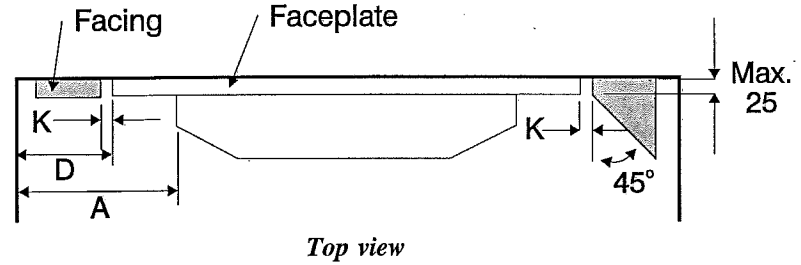
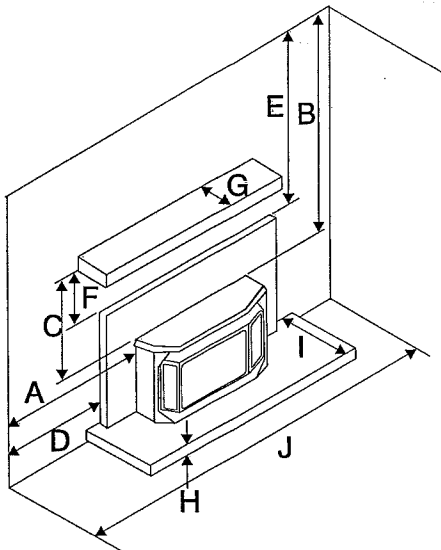
INSTALLATION REQUIREMENTS

CLEARANCES TO COMBUSTIBLES

The minimum fireplace clearance for the Regency I40 gas fireplace insert are shown in the following diagrams:

From unit		
Sides	A	190mm
Ceiling	B	890mm
Mantle	C (My)	320mm
From surround		
Sides	D	50mm
Ceiling	E	650mm
Mantle	F	75mm

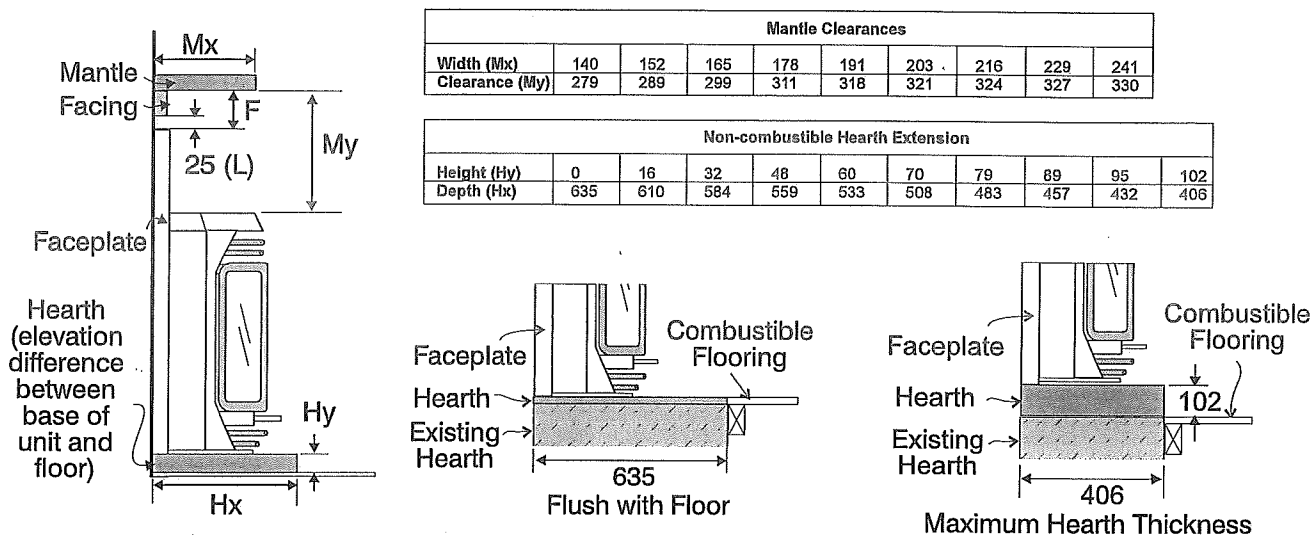
Min. alcove width	J	1120mm
Mantle width	G (Mx)	190mm
Facing (mantle leg)		
Side*	K	25mm
Top	L	25mm
* Mx. width of 25mm at 25mm from surround, calculate depth at 45° as shown in the diagram.		



All dimensions are in millimeters

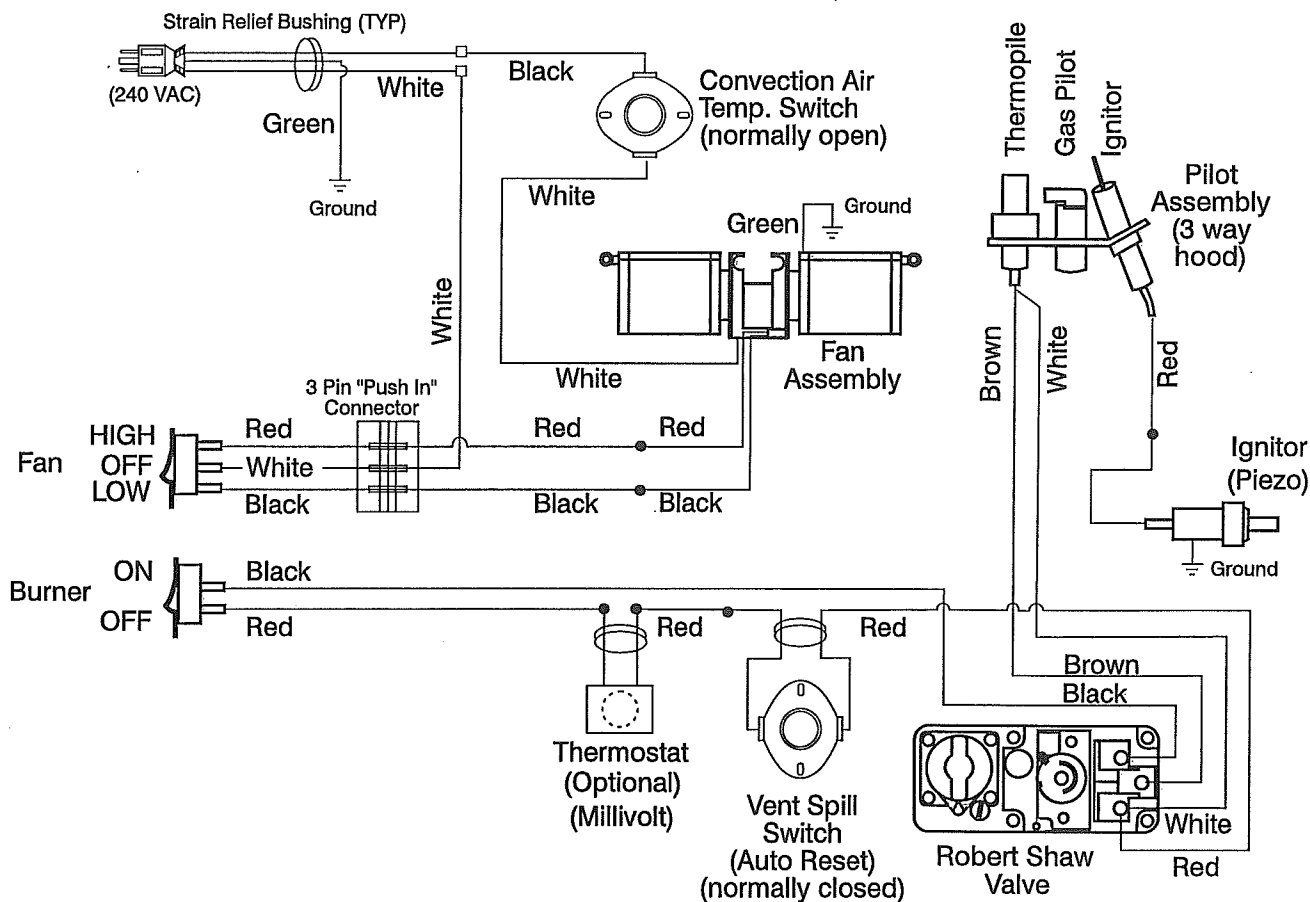
INSTALLATION REQUIREMENTS

CLEARANCES TO COMBUSTIBLES (CON'T)



All dimensions are in millimeters

WIRING DIAGRAM



INSTALLATION INSTRUCTIONS

MATERIALS REQUIRED

No electrical power supply is required for the gas control to operate. A 240 Volt AC power cord is hooked up to the fan switch and blower. Plug 3 wire cord into a suitable receptacle. Do not cut the ground terminal off under any circumstances.

When connected with 240 volts, the appliance must be electrically grounded in accordance with local codes..

NOTE: This unit is equipped with a heat sensor thermodisc which will prevent the blower from operating until the unit reaches the correct temperature.

INSTALLATION SEQUENCE

The Regency I40 Gas Insert is installed in the steps as listed below. Detailed instructions follow.

- 1) Install the flue or liner and connect the sliding draft hood to the flue. See page 8.
- 2) Make the gas connections and electrical connection for fan and vent spill switch. See pages 8 & 9.
- 3) Slide the unit into the fireplace and level.
- 4) Assemble and install the faceplate and trim. See page 10.
- 5) Install the brick panels. See page 11.
- 6) Install the 4 logs and pin See page 11
- 7) **FINAL CHECK:** Before leaving this unit with the customer, the installer must ensure that the appliance is firing correctly. This includes:
 - A) Clocking the appliance to ensure the correct firing rate.
 - B) Adjusting the primary air, if required, to ensure that the flame does not carbon on the components. See page 14.
 - C) Ensuring that the appliance is venting correctly.

FLUING

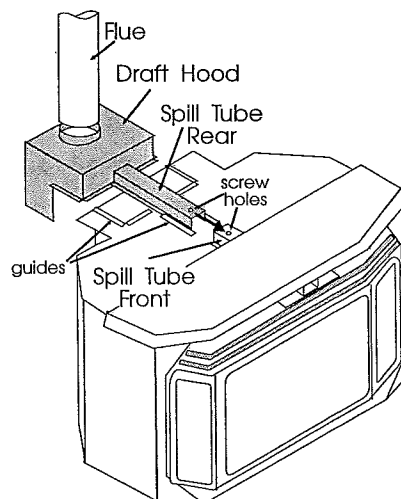
B-Vent chimneys require a 25mm clearance to combustibles.

The Regency I40 Gas Insert incorporates its own internal draft hood, so no additional external draft hood is required. Periodically check that the flue is unrestricted and an adequate draft is present when the unit is in operation. (See page 15 for spillage test).

Before installing flue system ensure that the damper plate is locked into the open position and secure to prevent the damper plate from falling down and crushing the liner.

DRAFT HOOD CONNECTION

- 1) Attach the vent to the flue collar on the detachable draft hood. The flue collar of the appliance will fit inside a standard vent and may be fastened directly to the vent by sheet metal screw or a B-Vent, single wall vent connector.



- 2) Before pushing the appliance into position inside the fireplace, align the draft hood with the guides on the insert top and push forward. While pushing the unit back into place keep pulling the draft hood forward until the screw hole in the spill tube-rear aligns with the screw hole in the spill tube-front. (If screw holes do not line up then draft hood is not positioned correctly). Secure the two spill tubes with a screw.

NOTE: Final gas connection should be after unit is in place to avoid damage to line when pushing the unit into position.

INSTALLATION INSTRUCTIONS

COMBUSTION & VENTILATION AIR

WARNING: This appliance needs fresh air for safe operation and must be installed with provisions for adequate combustion and ventilation air available to the room in which it is to be operating.

Air for combustion is drawn in through the front of the unit, therefore, the front of the unit must be kept clear of any obstructions.

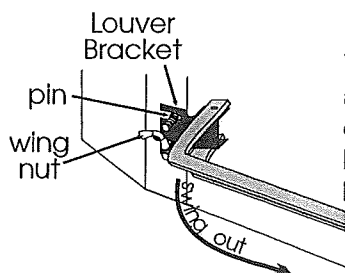
- 3) Locate the centre point where the vent will pass through the chimney above the appliance. Move the appliance into the exact location where it is to be installed. Ensure that the Insert is level.
- 4) A 3mm test point is provided on the gas control valve. It is located near the outlet to the Main Burner immediately upstream of the gas supply connection to the appliance, and is easily accessible for a test gauge connection (see diagram on page 14).
- 5) Once the gas has been connected ensure that the pilot valve is in line with burner.

GAS CONNECTION

NOTE:

During any pressure testing of the gas supply piping system that exceeds test pressures of 3.45 kPa this appliance and its individual shutoff valve must be disconnected from the piping system. If test pressures equal to or less than 3.45kPa are used then this appliance must be isolated from the piping system by closing its individual manual shut-off valve during the testing.

CAUTION: If the door is removed or opened for servicing, it must be replaced and closed prior to operating the appliance. The glass must be fixed in the door when operating.



Valve Access: Loosen and remove the wing nut on the left side of the bottom louver. Swing the bottom louver open.

GAS CONNECTION WARNING:

Only persons licensed to work with gas piping may make the necessary gas connections to this appliance.

- 1) If the appliance is to be installed into an existing chimney system, thoroughly clean the masonry fireplace and have the chimney swept.
- 2) The gas connection is a 9.5mm NPT male pipe on the rear left side of the unit.

SPECIFICATIONS

	Natural Gas	
Injector size	#41	2.45
Input rating	27mj	
Manifold pressure	.875 kPa	
	Propane	
Injector size	#53	1.5
Input rating	27mj	
Manifold pressure	2.5 kPa	

INSTALLATION INSTRUCTIONS

FACEPLATE & TRIM INSTALLATION

- 1) With the side door closed slide the faceplate tabs into the bracket on the side of the insert. Open the side door until you have access to the screws and then tighten the screws. See diagrams 1 and 2.

Close the side door, there should be a gap of approx. 3mm between the faceplate and the door, if necessary loosen the screws on the faceplate bracket and adjust. Repeat for other side faceplate.

Diagram 1

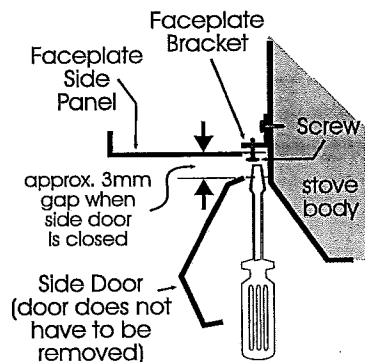
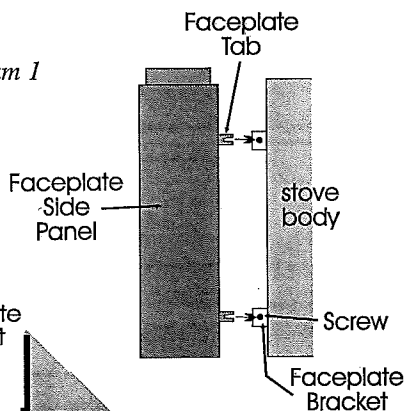
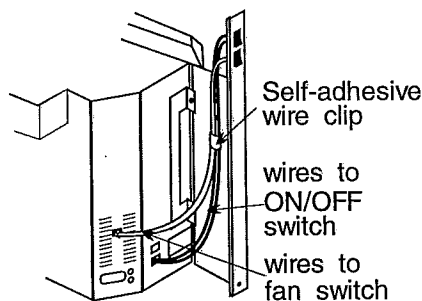


Diagram 2:
Top View

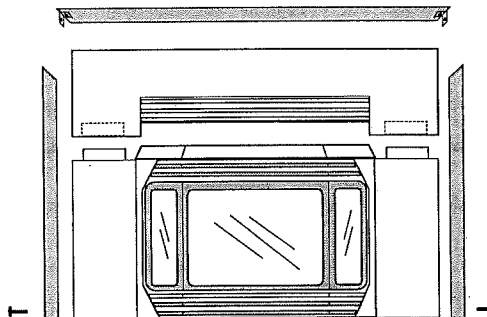
- 2) Fan Switch wires: Connect the plug end from the fan switches to the matching plug from the unit. See Diagram 3. Make sure the plugs are pushed together as far as they can go. Push the connection into the hole in the side of the insert so it is locked into place.

Diagram 3



- 3) ON/OFF wires: Hook-up the ON/OFF wires to the left side trim. Diagram 3.

- 4) Place the trim on the assembled faceplate panels, aligning the wire connections from the switches with the notch on the left side panel. Tuck the wires into the faceplate to keep them away from the insert using the clip provided. Attach the clip to the rear of the faceplate to ensure that the wires do not touch the side of the unit. Diagram 3. Secure the trim with a screw at the bottom.
- 5) Slide right trim onto the right faceplate and secure with a screw at the bottom.
- 6) The power cord should be run behind the faceplate panel.
- 7) Slide the top faceplate onto the two side faceplate panels. Check that the faceplate louvers are level. If not remove the top faceplate panel and loosen the screws securing the louvers to the louver bracket, adjust the louvers and tighten the screws. Replace the top faceplate.
- 8) Take the corner clips and slide into the top trim. Tighten the top screws (the bottom screws do not have to be tightened). Slide the top trim onto the side trim. Diagram 4.



- 9) Push the logo plate into the two holes in the bottom left corner of the faceplate.

NOTE: If you are making custom faceplates, you must use the faceplate louvers. Failure to do so will void the certification on your unit. The faceplate louvers can be purchased separately, part # 610-909.

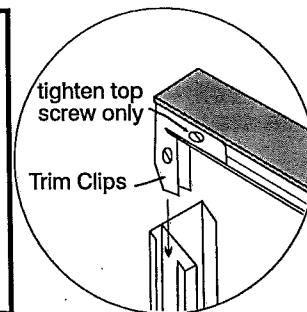
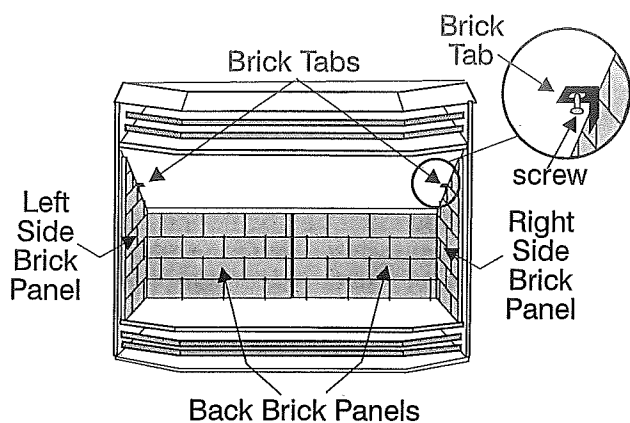


Diagram 4:
View from Rear

INSTALLATION INSTRUCTIONS

BRICK PANELS

- 1) Unwrap the brick pattern panels from the protective wrapping.
- 2) Open the door and position the back panels first, then the two side panels. Slide the side brick panel into place from the front of the firebox, there are 2 tabs to hold the panel in place, one on each side.



- 3) The brick panels should be tight against the firebox sides and back.

NOTE: Use caution when sliding side panels in as they can easily be scratched by the hard component parts.

LOG INSTALLATION

WARNING: Dangerous operating conditions may occur if these logs are not positioned in their approved locations. Read the instructions below carefully and refer to the diagrams. If logs are broken do not use the unit until they are replaced. Broken logs can interfere with the pilot operation and cause an explosion.

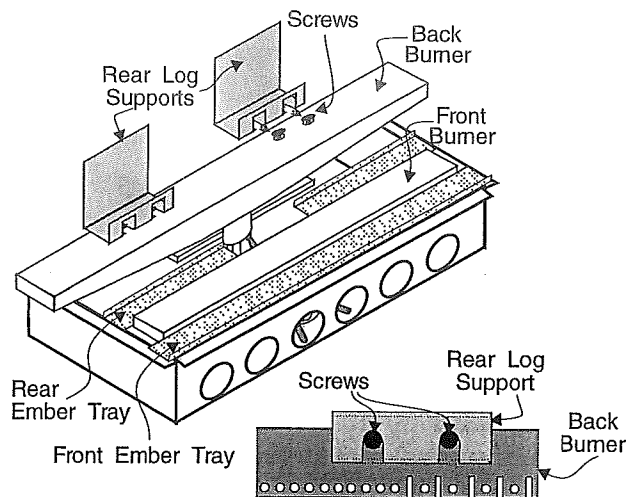
The gas log kit contains the following:

- a) Front Log - Part # 902-161
- b) Rear Log (with knot) - Part # 902-160
- c) Small Cross Logs (2) - Part # 902-162
- d) Embers - Part # 650-934
- e) Rear log supports (2)
- f) Log pins (4) 90mm -Part #904-591

(Part # 650-932 for the set of four logs)

1) Log Stand Installation

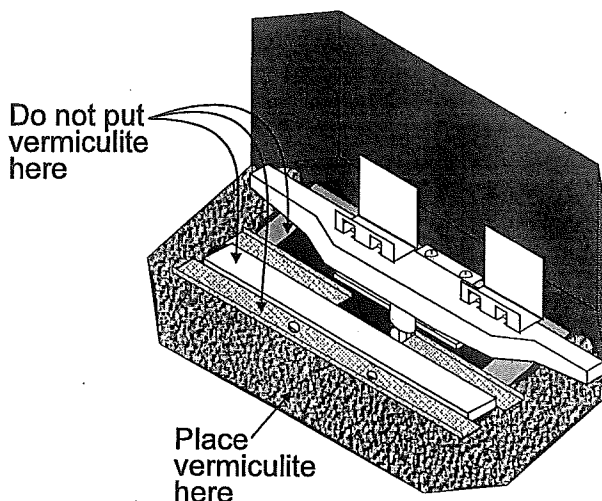
- a) Loosen the 4 screws in the top of the rear burner.
- b) Slide the two rear log support brackets into position as shown in the diagram.
- c) Push the rear log support brackets tight against the screws and then tighten down the screws.



Top View

Push bracket forward until it is tight against the screws, then tighten screws.

- 2) Take the vermiculite and sprinkle it to cover the bottom of the stove. Do not put it on the burner, the ember tray or in the burner tray.



- 3) Remove the logs from the heater and carefully unwrap them. **The logs are fragile, handle with care - DO NOT FORCE** into position.

INSTALLATION INSTRUCTIONS

- Place embers along full length of the front burner tray. Embers should be about the size of the end of your thumb, if you have larger pieces break them into smaller pieces. If the ember pieces are too large they can cause sooting problems and block holes in the burner.

Put embers on top of the front burner but **keep embers clear of the pilot** and make sure the embers do not prevent the front log from sitting properly on the front log stands. See Dia.1. **Do not put any embers in the rear ember tray.**

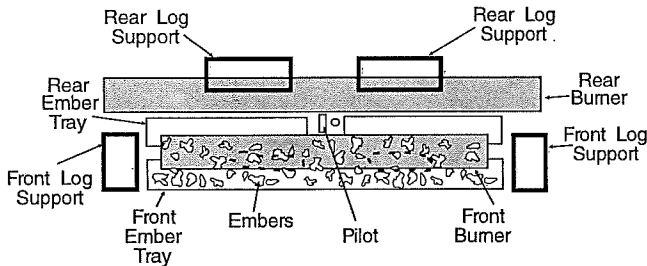


Diagram 1:
Top View

- Carefully place the rear log (with **no** cutouts) so it rests on the rear supports (with the flat part of the log to the back) and then push the log flush against the back. Center the log, relative to the rear burner. The knot in the log should sit just to the right of center. See dia.1 & 2.

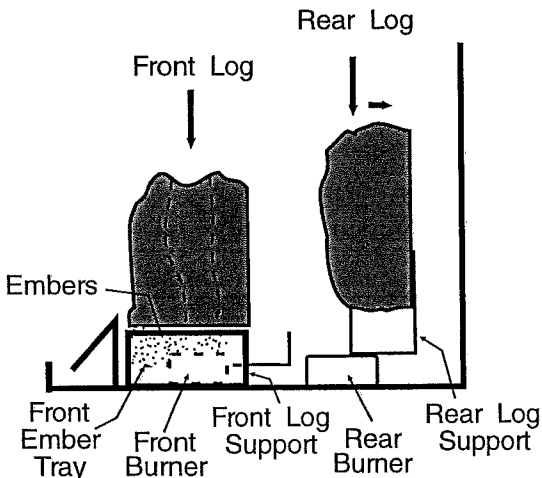


Diagram 2: Side View

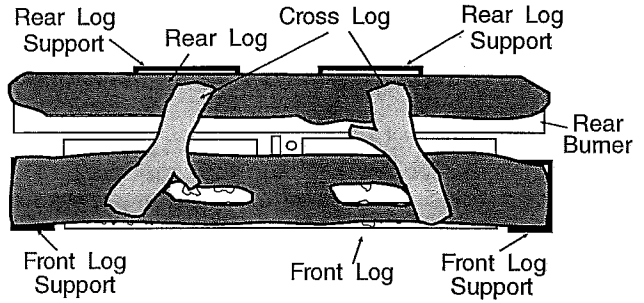


Diagram 3: Top View

- Place the front log (with the cutouts) on the two front log supports, the log must be even with the front edge of the supports. See dia. 1, 2 & 3.
- The cross logs must be positioned on the front and rear logs as shown in Dia. 4.** Incorrectly positioned cross logs will affect the flame pattern and proper operation of the unit. Use the two top holes in the front log for positioning. The inside edge of the **left** log is even with the left edge of the hole and the "thumb" just touches the front edge of the hole. The inside edge of the **right** log is even with the right edge of the hole and the "thumb" is centered above the knot in the rear log.

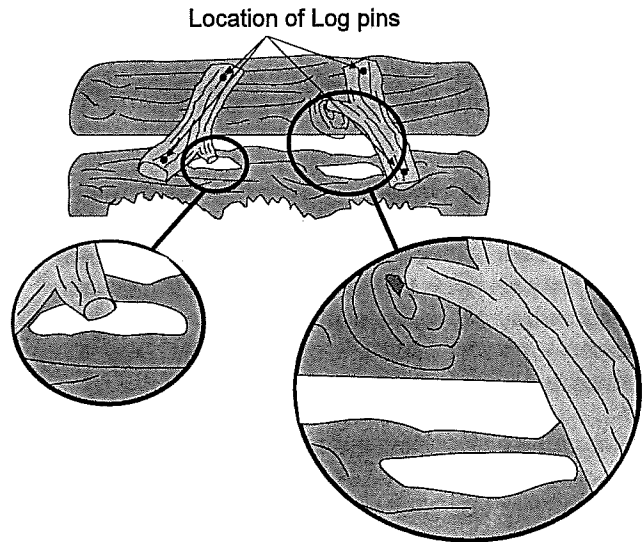


Diagram 4: Top View

INSTALLATION INSTRUCTIONS

GAS PRESSURE TEST

The unit is preset to give the correct gas input at the specified manifold pressures. The maximum gas input pressure is:

Natural gas	97mm W.C.
Propane	267mm W.C.

The manifold pressure is controlled by a regulator built into the gas control, and should be checked at the pressure test point.

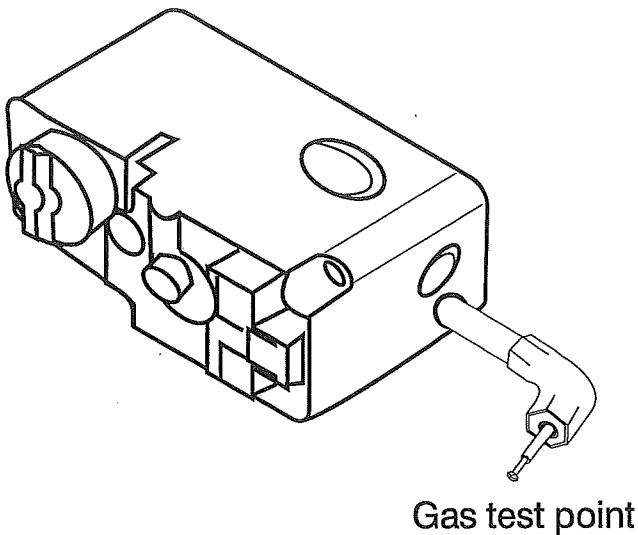
The pressure check should be carried out with the unit burning.

AERATION SYSTEM

The burner aeration is factory set but may need adjusting due to either the local gas supply, air supply or altitude.

This adjustment is performed by a qualified installer. The factory setting should be sufficient for most installations.

NOTE: Any damage due to carboning resulting from improper setting of the aeration is NOT covered by warranty.



INSTALLATION INSTRUCTIONS

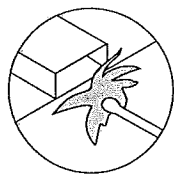
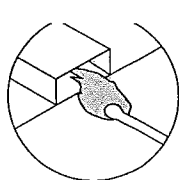
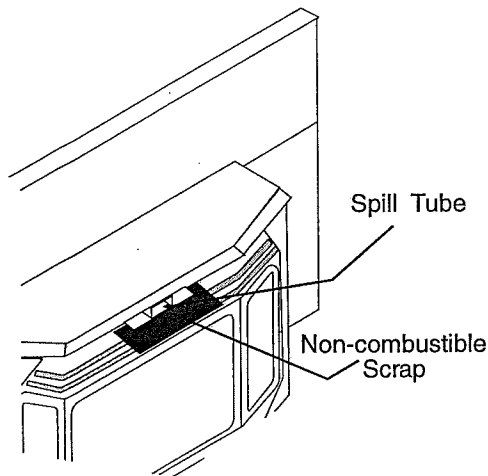
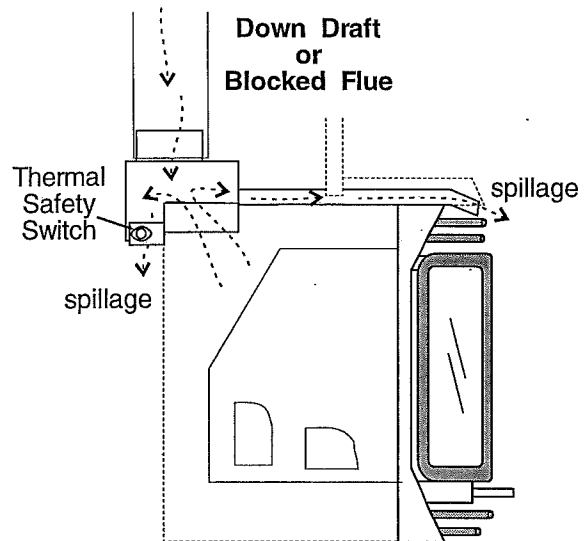
TEST FOR FLUE SPILLAGE

A "spillage" test must be made before the installed unit is left with the customer. Follow the procedure below:

- 1) Start all exhaust fans in the home and then close all doors and windows in the room.
- 2) Light the unit and set controls to maximum. Turn fan off.
- 3) After five minutes, test that there is a "pull" on the flue by placing a smoke match, cigarette or similar device which gives off smoke, in front of the spill tube. To ensure a valid test, place a scrap piece of sheet metal (or other non-combustible material) between the spill tube and the upper louver, this will prevent the natural convection of the unit from interfering with the test. See diagrams below. The smoke should be drawn into the spill tube, if it does not, leave the unit for a further five minutes and retest as above. If the smoke is still not drawn into the spill tube, turn the unit off and check for the cause of the lack of draft. If necessary, seek expert advice.

NOTE: The thermally activated safety switch will sense the change in temperature and shut down the gas valve in the event of a severe downdraft of air or a blocked or disconnected vent. The switch acts as a safety shut-off to prevent a build up of carbon monoxide. If the flue is blocked or has no "draw", the switch will automatically shut off the supply of gas within 5 - 10 minutes. Tampering with the switch can result in carbon monoxide (CO) poisoning and possible death.

If the heater turns off because of lack of draft during the spillage test, check for the cause and if necessary, seek expert advice.



The thermally actuated safety switch will automatically reset after it has reduced in temperature. The switch will continue to cycle until the draft problem is corrected. DO NOT BYPASS OR DISCONNECT THIS SWITCH.

INSTALLATION INSTRUCTIONS

TROUBLE SHOOTING FOR REGENCY I40 GAS INSERT		
SYMPTOM	PROBABLE CAUSE	CORRECTIVE ACTION
1) Thin black coating [soot] forms on viewing glass.	a) Incorrect gas pressure b) Not enough combustion air	Check and correct gas pressure if sooting continues open eration shutter on burner. Note: To clean glass, remove and wipe with cloth or paper towel
2) A change in flame appearance or burner operations	a) A change in gas pressure b) Carbon dirt or lint	Check gas pressure. Clean out carbon, spider webs, lint etc. from burner area.
3) No air flow	a) Fan failure	Check and replace fan switch Check and replace thermodisc Check and replace fan assembly
4) Burners will not light.	a) Pilot flame out b) Control knob on pilot	Relight [follow lighting procedure completely] page 17
5) Pilot goes out.	a) Check thermocouple voltage TBA mil volts on pilot TBA mil volts with burner on	Adjust pilot flame Thermopile, check and replace if faulty



service should be carried out by authorized personnel only

ABNORMAL OPERATION

if main burner does not light but pilot stays on, shut down heater and contact your dealer. if excessive carbon on logs or glass contact your dealer for service.

THE MOST IMPORTANT ITEM TO CHECK DURING THE INSTALLATION AND THE FIRST THING TO CHECK WHEN PROBLEMS OCCUR IS GAS PRESSURE.

THE MAJOR CAUSE OF OPERATING PROBLEMS WITH GAS HEATERS IS IMPROPER GAS PRESSURE

Such problems as changes in flame colour or configuration, burner outages, intermittent operations, changes in heat output, excessive burner noise, are nearly always the result of changes in gas pressure or improper gas pressure at time of installation.

CHECK DATA PLATE FOR CORRECT PRESSURE SETTINGS

INCORRECT INSTALLATION OR GAS PRESSURE SETTINGS ARE NOT COVERED BY WARRANTY, A SERVICE OR CALLOUT FEE WILL BE CHARGED IN THESE CIRCUMSTANCES

OPERATING INSTRUCTIONS

OPTIONAL WALL THERMOSTAT INSTALLATION

A wall thermostat may be installed if desired, follow the wiring diagram on page 7. The thermostat is not supplied by REGENCY, use a CSA, ULC or UL approved millivolt thermostat, 250-75 millivolt rated. A non-anticipator type thermostat is recommended.

Recommended Maximum Lead Length (Two-Wire) When Using Wall Thermostat (CP-2 System)	
Wire Size	Max. Length
14 GA.	30.48m
16 GA.	19.5m
18 GA.	12.19m
20 GA.	7.62m
22 GA.	5.49m

OPERATING INSTRUCTIONS

Before operating this appliance, proceed through the following check list.

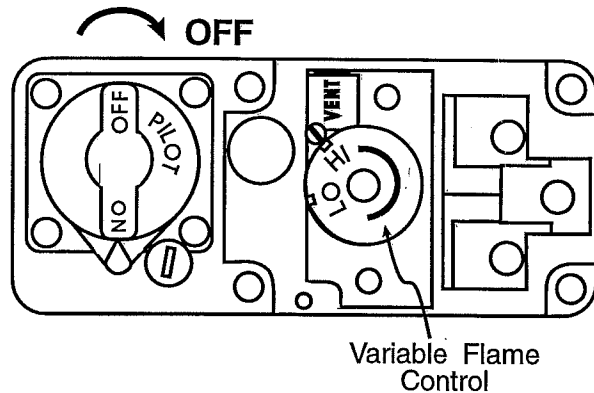
- 1) Read and understand these Instructions before operating this appliance.
- 2) Check to see that all wiring is correct and enclosed to prevent possible shock.
- 3) Check to ensure there are no gas leaks.
- 4) Make sure the three door glass pieces are in place. Never operate the appliance with the door glass or safety screen removed.
- 5) Verify that all venting and the cap is unobstructed.
- 6) Verify log placement. If the pilot cannot be seen when lighting the unit - the logs or the embers have been incorrectly positioned.
- 7) The unit should never to turned off and on without a minimum of a 60 second wait.
- 8) When lighting the appliance, the inside of the glass may fog up. This will burn off after a few minutes of operation.

**DO NOT BURN THE APPLIANCE WITH
THE DOOR OPEN**

LIGHTING PROCEDURE

IMPORTANT: Gas cock knob cannot be turned from "PILOT" to "OFF" unless it is partially depressed.

- 1) Open the bottom louver assembly by turning the wing nut and swinging the louvers out. (See page 8 for diagram.)
- 2) If the control knob is in the "OFF" position proceed to Step 5.
- 3) Push in gas control knob slightly and turn clockwise to "OFF". Knob cannot be turned from "PILOT" to "OFF" unless knob is pushed in slightly. Do not force.



- 4) Wait five minutes to allow gas, that may have accumulated in the main burner compartment, to escape. If you do smell gas, follow the instructions on the front of this manual. If you don't smell gas continue on to the next step.
- 5) Turn the gas control counterclockwise to "PILOT".
- 6) Push in control knob all the way and hold in. Immediately push red button on spark igniter until pilot lights. Continue to hold the control knob in for approximately one minute, then release the gas control knob. The pilot flame should continue to burn. If the pilot does not remain lit, repeat operation allowing a longer period before releasing gas control knob.
- 7) Turn gas control knob counterclockwise to "ON".
- 8) Use rocker switch to operate main burner.
- 9) Rotate the variable flame control to adjust the flame height higher or lower.
- 10) Close the bottom louver assembly and tighten the wing nut.
- 11) The door must be closed when operating the unit.

SHUTDOWN PROCEDURE

- 1) Use the rocker switch to turn off the main burner.
- 2) Open the bottom louver assembly by turning the wing nut and swinging the louvers out.
- 3) Push in the gas control knob slightly and turn clockwise to "OFF". Do not force.
- 4) Disconnect all electric power to the appliance if service is to be performed.

FIRST FIRE

The first fire in your stove is part of the paint curing process. To ensure that the paint is properly cured, light the unit and leave it on for 5 minutes and let it cool down for 30 minutes. Repeat 3 or 4 times. When first operated, the unit will release an odour caused by the curing of the paint, the burning off of any oils remaining from manufacturing and burning off the starch in the gas logs.

The glass panel will require cleaning after the unit has cooled down. **DO NOT ATTEMPT TO CLEAN THE GLASS WHILE IT IS HOT. NEVER OPERATE THE UNIT WITH THE DOOR OPEN.**

AUTOMATIC CONVECTION FAN OPERATION

The fan operates automatically, push the rocker switch on the side of the faceplate to either "HIGH" or "LOW" for fan speed. The fan will turn on as the stove comes up to operating temperature. After the unit has been turned off and the unit cooled to below a useful heat output range the fan will shut off automatically.

MAINTENANCE

MAINTENANCE INSTRUCTIONS

- 1) Always turn off the gas valve before cleaning. For relighting, refer to lighting instructions. Keep the burner and control compartment clean by brushing and vacuuming at least once a year. When cleaning the logs, use a clean soft paint brush as the logs are fragile and easily damaged.
- 2) Clean glass (never when unit is hot), appliance, door and louvers with a damp cloth. Never use an abrasive cleaner. The gold louvers (and optional gold door) may be scratched if abrasives are used to clean them. The heater is finished in a heat resistant paint and should only be refinished with heat resistant paint (not with wall paint). Regency uses Stove Brite Paint - Metallic Black #6309.
- 3) Make a periodic check of burner for proper position and condition. Visually check the flame of the burner periodically, making sure the flames are steady; not lifting or floating. If there is a problem, call a qualified service person.
- 4) The appliance and venting system must be inspected before use, and at least annually, by a qualified field service person, to ensure that the flow of combustion and ventilation air is not obstructed.

During the annual service call, the burners should be removed from the burner tray and cleaned. Replace the embers but do not block the pilot.
- 5) Keep the area near the appliance clear and free from combustible materials, gasoline and other flammable vapours and liquids.

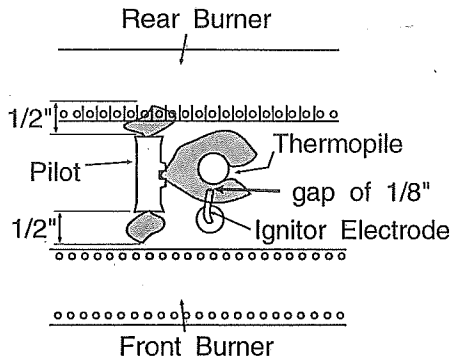
WARNING: CHILDREN AND ADULTS SHOULD BE ALERTED TO THE HAZARDS OF HIGH SURFACE TEMPERATURE AND SHOULD STAY AWAY TO AVOID BURNS OR CLOTHING IGNITION. YOUNG CHILDREN SHOULD BE CAREFULLY SUPERVISED WHEN THEY ARE IN THE SAME ROOM AS THE APPLIANCE.

CAUTION: ANY SAFETY SCREEN OR GUARD REMOVED FOR SERVICING AN APPLIANCE MUST BE REPLACED PRIOR TO OPERATING THE APPLIANCE.

CLOTHING OR OTHER FLAMMABLE MATERIAL SHOULD NOT BE PLACED ON OR NEAR THE APPLIANCE.

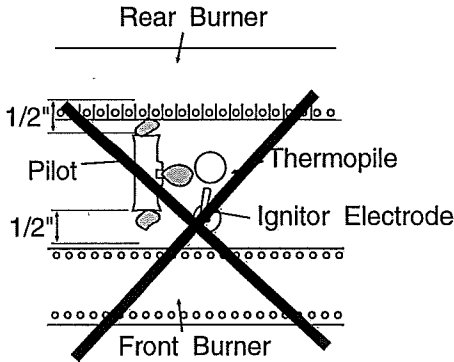
- 6) Each time the appliance is lit, it may cause condensation and fog the glass. This condensation and fog is normal and will disappear in a few minutes as the glass heats up.
Never operate the appliance without the glass properly secured in place or with the door open.
- 7) Periodically check the pilot flames, there should be three strong blue flames approx. 13mm long -1 flame to the front burner, 1 to the rear burner and 1 to the thermopile. See diagrams below. If you have an incorrect flame pattern, contact your Regency dealer for further instructions.

Correct flame pattern has three strong blue flames: 1 flowing around the thermopile and ignitor electrode, 1 flowing across the rear burner and 1 reaching towards the front burner (it does not have to be touching the burner).



Top View of pilot flame.

Incorrect flame pattern will have small, probably yellow flames, not coming into proper contact with the rear burner or thermopile.



Top View of pilot flame

LOG REPLACEMENT

The unit should never be used with broken logs. Turn off the gas valve and allow the unit to cool before opening door to carefully remove the logs. The pilot light generates enough heat to burn someone. If for any reason a log should need replacement, you must use the proper replacement log. The position of these logs must be as shown in the diagram under Log Installation.

GOLD-PLATED DOORS

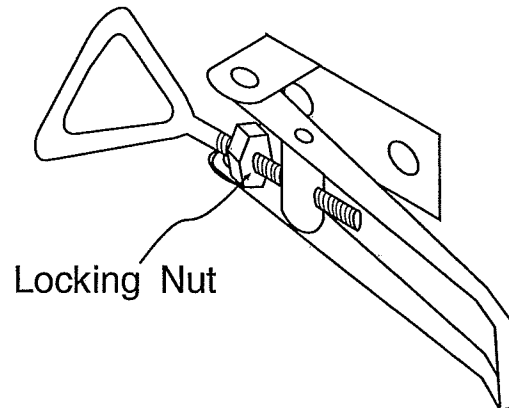
The 24 carat gold plated finish on the door requires little maintenance, and need only be cleaned with a damp cloth. DO NOT use abrasive materials or chemical cleaners, as they may harm the finish and void the warranty. Clean any fingerprints off before turning the unit on. **If the door starts to discolor, check the gasket seal and replace if necessary.**

DOOR GASKET AND GLASS GASKET

If the door gasket requires replacement use 22mm diameter oval door gasket (Part # 650-920). The glass requires 16mm flat glass gasket (Part # 846-530). See your Regency Dealer.

LATCH ADJUSTMENT

The door latch may require adjustment as the door gasket material compresses after a few fires and after glass replacement. Turn the locking nut on the adjustable latch to tighten or loosen the latch.



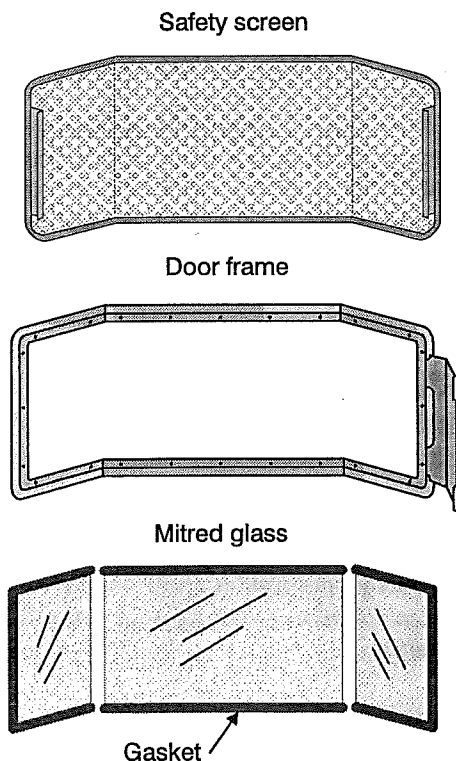
GLASS REPLACEMENT

Your Regency stove is supplied with high temperature, 5 mm Neoceram ceramic glass that will withstand the highest heat that your unit will produce. In the event that you break your glass by impact, purchase your replacement from an authorized Regency dealer only, and follow our step-by-step instructions for replacement.

MAINTENANCE

GLASS REMOVAL

- 1) Remove the safety screen from the front of the door.
- 2) Remove the door from the unit and place on a soft surface to prevent scratching.
- 3) Pull out the door gasket.
- 4) Remove the nuts holding the glass retainers in place.
- 5) Remove the glass retainers (sides, top and bottom) and the door catch plate.
- 6) Replace the glass. **The glass must have gasketing around it.**
- 7) Reverse the previous steps, replace the retainers and fasten with the nuts but do not overtighten, as this can break the glass. **Note: the door catch plate fits on top of the left side retainer.**
- 8) Put gasket glue on the retainers, but do not put glue on the screws. Replace the door gasket, the two ends butt tight together on the bottom edge of the door.
- 9) Replace door on the stove and check the seal.



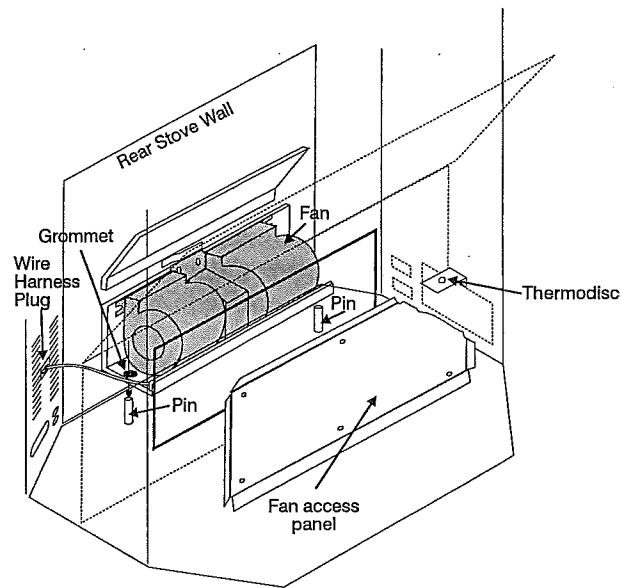
FAN MAINTENANCE

If your fan requires maintenance or replacement, access to the fan is through the plate on the rear wall of the firebox.

NOTE: the unit MUST NOT be operated without the fan access panel securely in place.

REMOVING FAN

- 1) Unplug or disconnect power source to stove.
- 2) Disconnect white wire from thermodisc.
- 3) Unplug wire harness on left rear side panel (from inside the stove).
- 4) Remove all logs and the rear log supports, then remove the 6 screws holding the access panel in place.
- 5) Lift fan off of the 2 pins, tip forward and pull through firebox opening.
- 6) Disconnect green wire from power cord.



REPLACING FAN

Reverse above steps. Hint for pushing fan down onto pins - rub a bit of dish soap on the grommet so it will slide more easily onto the pin. Check to make sure the fan is seated properly on the pins - try to move the fan back and forth, there should be no noise, if there is check that the grommets haven't come loose.

PARTS LIST

650-915 Fan assembly
650-920 Door gasket
650-932 Log set
650-934 Embers
650-950 Front burner
650-952 Rear burner
610-960 Valve assembly (NG)
610-962 Valve Assembly (LP)
846-325 Center glass (L)
846-326 Side glass (S)

