



# P36D Zero Clearance Direct Vent Gas Fireplace

MODELS: P36D-NG Natural Gas P36D-LP Propane

## Owners & Installation Manual



REGENCY®  
FIREPLACE PRODUCTS



HAMPTON®



PALACE  
DESIGNER FIREPLACES

### WARNING:

If the information in these instructions are not followed exactly, a fire or explosion may result causing property damage, personal injury or loss of life.

### FOR YOUR SAFETY

Do not store or use gasoline or other flammable vapors and liquids in the vicinity of this or any other appliance.

Installation and service must be performed by a qualified installer, service agency or the gas supplier.

### FOR YOUR SAFETY

What to do if you smell gas:

- Do not try to light any appliance
- Do not touch any electrical switch: do not use any phone in your building.
- Immediately call your gas supplier from a neighbour's phone. Follow the gas supplier's instructions.
- If you cannot reach your gas supplier, call the fire department.

Tested by:



**Installer:** Please complete the details on the back cover and leave this manual with the homeowner.  
**Homeowner:** Please keep these instructions for future reference.

**To the New Owner:**

**Congratulations!**

You are the owner of a state-of-the-art Gas Fireplace by FPI FIREPLACE PRODUCTS INTERNATIONAL LTD. The P36D is a hand crafted appliance and has been designed to provide you with all the warmth and charm of a wood fireplace at the flick of a switch. The model P36D has been approved by Warnock Hersey for both safety and efficiency. As it also bears our own mark, it promises to provide you with economy, comfort and security for many trouble free years to follow. Please take a moment now to acquaint yourself with these instructions and the many features of your FPI Fireplace.

**INFORMATION FOR MOBILE/MANUFACTURED HOMES AFTER FIRST SALE**

This FPI product has been tested and listed by Warnock Hersey to the following standards: VENTED GAS FIREPLACE HEATERS ANSI Z21.88b-2003/CSA 2.33b-2003 and GAS-FIRED APPLIANCES FOR USE AT HIGH ALTITUDES CAN/CGA 2.17-M91.

This Direct Vent System Appliance must be installed in accordance with the manufacturer's installation instructions and the Manufactured Home Construction and Safety Standard, Title 24 CFR, Part 3280, or the current Standard of Fire Safety Criteria for Manufactured Home Installations, Sites, and Communities ANSI/NFPA 501A, and with CAN/CSA Z240-MH Mobile Home Standard in Canada.

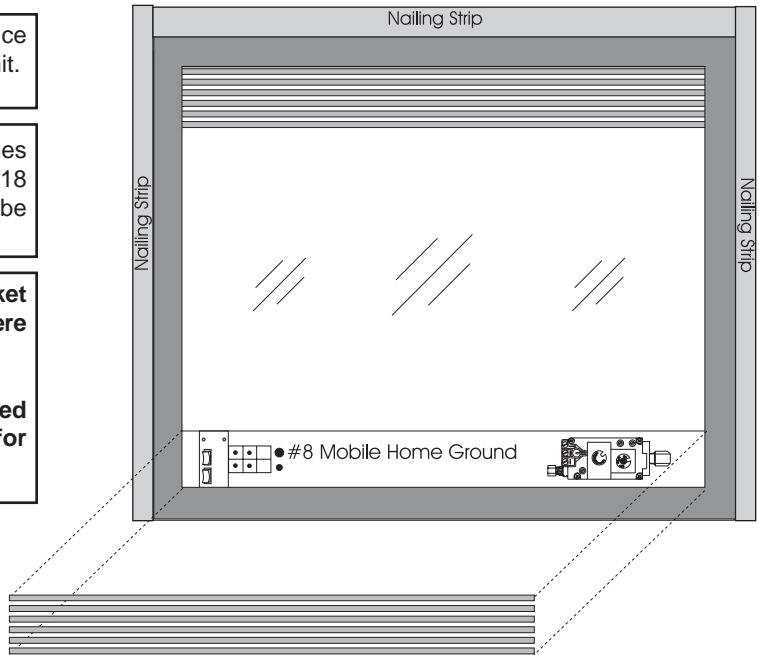
This appliance installation must comply with the manufacturer's installation instructions and local codes, if any. In the absence of local codes follow the current National Fuel Gas Code, ANSI Z223.1 and the current National Electrical Code ANSI/NFPA 70 in the U.S.A., and the current CAN/CGA B149 Gas Installation Code and the current Canadian Electrical Code CSA C22.1 in Canada.

This FPI Mobile/Manufactured Home Listed appliance comes factory equipped with a means to secure the unit.

This FPI Mobile/Manufactured Home listed appliance comes equipped with a dedicated #8 ground lug to which an 18 gauge copper wire from the steel chassis ground must be attached.

**This appliance may only be installed in an aftermarket permanently located, manufactured (mobile) home, where not prohibited by local codes.**

**This appliance is only use with the type of gas indicated on the rating plate. This appliance is not convertible for use with other gases, unless a certified kit is used.**



**NATIONAL FIREPLACE INSTITUTE**  
**NFI**  
**CERTIFIED**  
www.nficertified.org

We recommend that our products be installed and serviced by professionals who are certified in the U.S. by the National Fireplace Institute® (NFI) or in Canada by Wood Energy Technical Training (WETT).

**Wood Energy Technical Training**  
www.wett.com

# TABLE OF CONTENTS

<b>SAFETY LABEL</b>		Horizontal Venting with Two Elbows .....	27
Safety Label .....	5	Vertical Venting with Two Elbows .....	28
<b>INSTALLATION</b>		Vertical Terminations - Co-Linear Flex System .....	29
Unit Dimensions .....	6	Venting Arrangements - Vertical Terminations .....	30
Before You Start .....	7	Venting - Dura-Vent Horizontal Installations .....	31
General Safety Information .....	7	Venting - Dura-Vent Vertical Termination .....	32
Installation Checklist .....	7	Venting - Installation for Direct Vent System (Flex) .....	33
Locating Your Gas Fireplace .....	8	System Data .....	34
Manufactured Home Additional Requirements .....	8	High Elevation .....	34
HeatWave Duct System (optional) .....	8	Gas Line Installation .....	34
Heat Release Kit (optional) .....	8	Pilot Adjustment .....	34
Clearances .....	9	Gas Pipe Pressure Test .....	34
Regency Clearances .....	10	SIT Valve Description .....	34
Arch Door Clearances .....	10	Conversion to Propane .....	35
Hampton Clearances .....	10	Brick Panels (optional) .....	36
Palace Series Clearances .....	10	Log Set Installation .....	36
Regency Mantel Clearances .....	11	Flush Door .....	38
Hampton Mantel Clearances .....	13	Remote Wall Switch (optional) .....	39
Palace Series Mantel Clearances .....	14	Remote Control (optional) .....	39
Mantel Leg Clearances .....	15	Wall Thermostat (optional) .....	39
Framing and Finishing .....	16	Wiring Diagram .....	40
Barcelona & Palace Series Framing Note .....	17	Fan Installation (optional) .....	41
Arch Door Framing Note .....	18	<b>OPERATING INSTRUCTIONS</b>	
Unit Assembly Prior to Installation		Operating Instructions .....	42
Top Standoff Assembly .....	19	Lighting Procedure .....	42
Top Facing Suprt & Side Nailing Strip Assembly .....	19	Shutdown Procedure .....	42
Venting Introduction .....	19	First Fire .....	42
Exterior Vent Termination Locations .....	20	Aeration Adjustment .....	42
Venting .....	21	Normal Operating Sounds .....	42
Direct Vent System (Flex) .....	21	Lighting Plate Instructions .....	43
Rigid Pipe Venting Components list .....	22		
Rigid Pipe Venting Systems .....	23		
Venting Arrangements			
Horizontal Terminations .....	24		
Vertical Terminations .....	25		

**NOTE:** All installation instructions apply to Regency, Hampton & The Palace Series unless otherwise specified.

# TABLE OF CONTENTS

---

## MAINTENANCE

Maintenance Instructions .....	43
General Vent Maintenance .....	44
Gold-Plated or Brass Louvers .....	44
Gold Plated or Brass Trim .....	44
Log Replacement .....	44
Thermopile/Thermocouple .....	44
Glass Gasket .....	44
Door Glass .....	44
Flush Glass Replacement .....	44
Bay Glass Replacement .....	44
Removing Valve .....	45
Installing Valve .....	45

## REGENCY FLUSH & BAY DOOR OPTIONS

Flush Trim .....	47
Louvers - Flush .....	47
Double Screen Door .....	47
Bay Front .....	48
Bay Trim .....	48
Louvers - Bay .....	48
Full Screen Front .....	49
Arch Screen Door .....	51

## HAMPTON CAST FACEPLATE OPTION

Hampton Cast Faceplate .....	54
Hampton Cast Grills .....	55

## PALACE SERIES OPTIONS

The Kensington Front .....	57
The Westminster Front .....	58
The Balmoral Front .....	59

## REPLACEMENT PARTS LIST

Part List .....	62
-----------------	----

## WARRANTY

Warranty .....	71
----------------	----

This is a copy of the label that accompanies each P36D Zero Clearance Direct Vent Gas Fireplace. We have printed a copy of the contents here for your review. The safety label is located on the front inside base of the unit, visible when the bottom louver is open.

NOTE: FPI units are constantly being improved. Check the label on the unit and if there is a difference, the label on the unit is the correct one.

### Copy of Safety Decal for P36D

Duplicate S/N

214



**Listed: VENTED GAS FIREPLACE HEATER**  
**Certified for/Certifiée pour: CANADA and U.S.A.**  
**Tested to: Gas-Fired Appliances For Use At High Altitudes CAN/CGA-2.17-M91,**  
**Vented Gas Fireplace Heaters ANSI Z21.88b-2003/CSA 2.33b-2003**  
**Report No. 476-3059100 (June 2004)**



**DO NOT REMOVE THIS LABEL / NE PAS ENLEVER CETTE ÉTIQUETTE**  
 Serial No./ No de serie

214

For the State of Massachusetts, installation and repair must be done by a plumber or gasfitter licensed in the Commonwealth of Massachusetts.

For the State of Massachusetts, flexible connectors shall not exceed 36 inches in length.

For the State of Massachusetts, the appliances individual manual shut-off must be a t-handle type valve.

**NATURAL GAS: Model P36D-NG**

Minimum supply pressure	5"	WC(1.25 kPa)
Manifold pressure high	3.8"	WC(0.95 kPa)
Manifold pressure low	1.1"	WC(0.27 kPa)
Orifice size	# 37	DMS
Minimum input	15,500	Btu/h (4.54 kW)
Maximum input	30,000	Btu/h (8.79 kW)
Altitude	0-4500	ft/pi(0-1372 m)

**Model/Modelé: P36D-NG**

**PROPANE: Model P36D-LP**

Minimum supply pressure	12"	WC(3.00 kPa)
Manifold pressure high	11"	WC(2.74 kPa)
Manifold pressure low	2.9"	WC(0.72 kPa)
Orifice size	# 52	DMS
Minimum input	15,000	Btu/h (3.96 kW)
Maximum input	30,000	Btu/h (7.91 kW)
Altitude	0-4500	ft/pi(0-1372 m)

**Model/Modelé: P36D-LP**

**VENTING:** This appliance must be installed in accordance with local codes, if any; if none, follow the National Fuel Gas Code, ANSI Z223.1/NFPA 54, or Natural Gas and Propane Installations Codes, CSA B149.1. For Manufactured Home Installation: This Direct Vent System Appliance must be installed in accordance with the manufacturer's installation instructions and Manufactured Home Construction and Safety Standard Title 24 CFR, Part 3280, or the current Standard for Fire Safety Criteria for Manufactured Home Installations, Sites, and Communities ANS/INFPA 501A, and with CAN/CSA Z240 MH Mobile Home Standard in Canada. Optional Fan (Part # 432-917) Optional Bay Window (Part #510-930) Optional Heat Wave Kit # 946-556 Electrical supply 115VAC, 1, 13 A, 60Hz.

**NOT FOR USE WITH SOLID FUELS. This vented gas fireplace is not for use with filters.**

**MAY BE INSTALLED IN MANUFACTURED (MOBILE) HOMES AFTER FIRST SALE.**

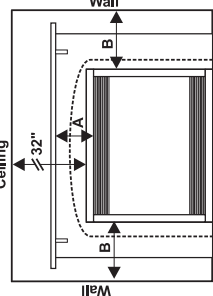
**Minimum Clearances to Combustibles /Degagement Minimum De Matériaux Combustibles**

0" Clearance to combustibles from: Top, sides, bottom and rear of unit

**Mantel Clearances from Top:**  
 (A) Min. 7" (177mm)

**Side Wall Clearance from Side Facing**  
 B) 6" with Flush or Bay Front  
 B) 8" with Barcelona Trim

Alcove approved for Bay & Flush Louvers.



**The "Bay Louvers" MUST be used with the Bay Glass option**

**DOOR SEAL: Please check that the door is properly sealed**

(See Instruction Manual for Detailed Instructions)

**Alcove Clearances:**  
 Max Depth 36" (914mm)  
 Min. Width 48" (1219mm)  
 Min. Height 72" (1229mm)

**Minimum Vent Clearances:**  
 Horizontal Top 2-1/2" (63mm)  
 Horizontal Side 1-1/2" (38mm)  
 Horizontal Bottom 1-1/2" (38mm)

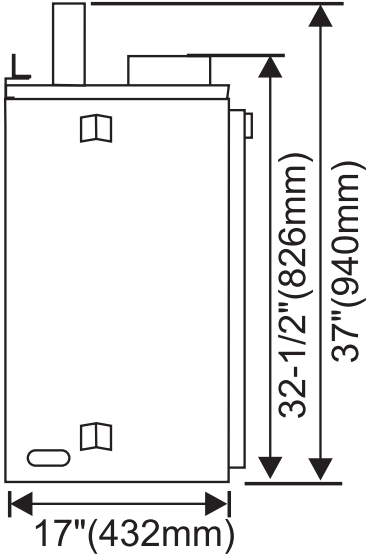
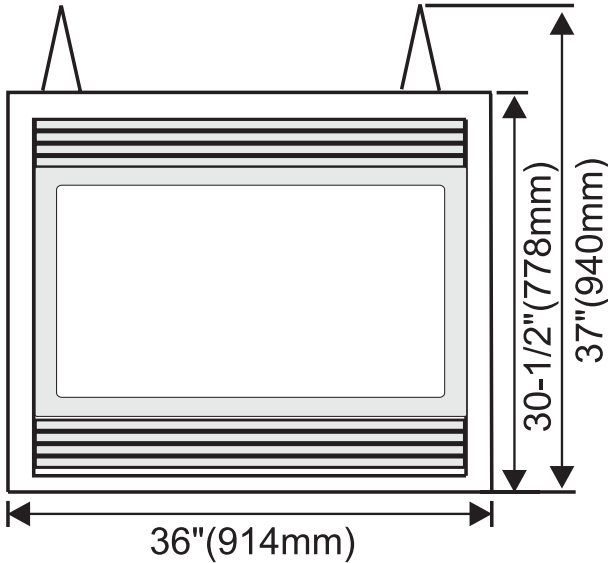
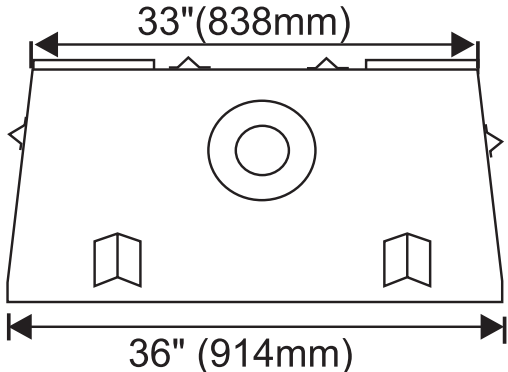
**FPI Fireplace Products International Ltd.**  
 Delta, BC, Canada

918-060d

Made in Canada/Fabrique au Canada

# UNIT DIMENSIONS

---





## IMPORTANT: SAVE THESE INSTRUCTIONS

The P36D-NG or P36D-LP Direct Vent Fireplace must be installed in accordance with these instructions. Carefully read all the instructions in this manual first. Consult the "authority having jurisdiction" to determine the need for a permit prior to starting the installation. It is the responsibility of the installer to ensure this fireplace is installed in compliance with manufacturer's instructions and all applicable codes.

## BEFORE YOU START

Safe installation and operation of this appliance requires common sense, however, we are required by the Canadian Safety Standards and ANSI Standards to make you aware of the following:

**INSTALLATION AND REPAIR SHOULD BE DONE BY A QUALIFIED SERVICE PERSON. THE APPLIANCE SHOULD BE INSPECTED BEFORE USE AND AT LEAST ANNUALLY BY A PROFESSIONAL SERVICE PERSON. MORE FREQUENT CLEANING MAY BE REQUIRED DUE TO EXCESSIVE LINT FROM CARPETING, BEDDING MATERIAL, ETC. IT IS IMPERATIVE THAT CONTROL COMPARTMENTS, BURNERS AND CIRCULATING AIR PASSAGEWAYS OF THE APPLIANCE BE KEPT CLEAN.**

**DUE TO HIGH TEMPERATURES, THE APPLIANCE SHOULD BE LOCATED OUT OF TRAFFIC AND AWAY FROM FURNITURE AND DRAPERIES.**

**WARNING: FAILURE TO INSTALL THIS APPLIANCE CORRECTLY WILL VOID YOUR WARRANTY AND MAY CAUSE A SERIOUS HOUSE FIRE.**

**CHILDREN AND ADULTS SHOULD BE ALERTED TO THE HAZARDS OF HIGH SURFACE TEMPERATURES, ESPECIALLY THE FIREPLACE GLASS, AND SHOULD STAY AWAY TO AVOID BURNS OR CLOTHING IGNITION.**

**YOUNG CHILDREN SHOULD BE CAREFULLY SUPERVISED WHEN THEY ARE IN THE SAME ROOM AS THE APPLIANCE.**

**CLOTHING OR OTHER FLAMMABLE MATERIAL SHOULD NOT BE PLACED ON OR NEAR THE APPLIANCE.**

## GENERAL SAFETY INFORMATION

- 1) The appliance installation must conform with local codes or, in the absence of local codes, with the current Canadian or National Gas Codes, CAN1-B149 or ANSI Z223.1 Installation Codes.
- 2) The appliance when installed, must be electrically grounded in accordance with local codes, or in the absence of local codes with the current National Electrical Code, ANSI/NFPA 70 or CSA C22.1 Canadian Electrical Code.
- 3) See general construction and assembly instructions. The appliance and vent should be enclosed.
- 4) This appliance must be connected to the specified vent and termination cap to the outside of the building envelope. Never vent to another room or inside a building. Make sure that the vent is fitted as per Venting instructions.
- 5) Inspect the venting system annually for blockage and any signs of deterioration.
- 6) Venting terminals shall not be recessed into a wall or siding.
- 7) Any safety glass removed for servicing must be replaced prior to operating the appliance.
- 8) To prevent injury, do not allow anyone who is unfamiliar with the operation to use the fireplace.
- 9) Wear gloves and safety glasses for protection while doing required maintenance.
- 10) Be aware of electrical wiring locations in walls and ceilings when cutting holes for termination.
- 11) Under no circumstances should this appliance be modified. Parts that have to be removed for servicing should be replaced prior to operating this appliance.
- 12) Installation and any repairs to this appliance should be done by a qualified service person. A professional service person should be called to inspect this appliance annually. Make it a practice to have all of your gas appliances checked annually.
- 13) Do not slam shut or strike the glass door.

- 14) Under no circumstances should any solid fuels (wood, paper, cardboard, coal, etc.) be used in this appliance.
- 15) The appliance area must be kept clear and free of combustible materials, (gases and other flammable vapours and liquids).

Emissions from burning wood or gas could contain chemicals known to the State of California to cause cancer, birth defects or other reproductive harm.

## INSTALLATION CHECKLIST

- 1) Locate appliance
  - a) Room location, page 8.
  - b) Clearances to Combustibles, pages 9 - 14.
  - c) Mantle Clearances, pages 11 - 13.
  - d) Framing & Finishing Requirements, page 15.
  - e) Venting Requirements, pages 21 - 25.
- 2) Assemble Top Standoffs and Top Facing Support and Side Nailing Strips, page 19. (NOTE: must be done before installing unit into fireplace.)
- 3) Install vent, pages 30 - 32.
- 4) Make gas and electrical connections. Test the pilot. Must be as per diagram. Page 34.
- 5) Install brick panels (optional), page 36.
- 6) Install log set where indicated on page 36.
- 7) Install standard Flush Door, page 35.
- 8) Install Optional Regency Flush or Bay Fronts. pages 47 - 51.
- 9) Install Optional Hampton Cast Faceplate, page 54.
- 10) Install Optional Palace Series Fronts, pages 57 - 59.
- 11) Install optional Wall Switch, Remote Control, or Wall Thermostat, page 39.
- 12) Install Optional Fan, page 41.
- 13) Final check.

# INSTALLATION

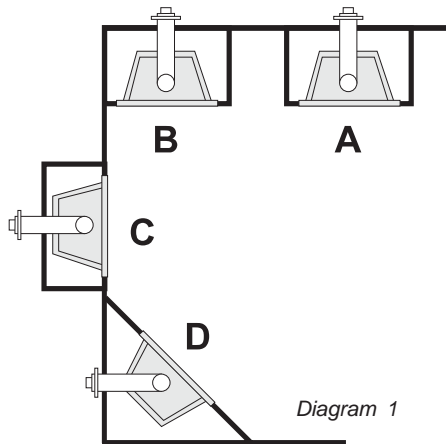
## This includes:

- 1) Clocking the appliance to ensure the correct firing rate (rate noted on label 30,000 Btu/h) after burning appliance for 15 minutes.
- 2) If required, adjusting the primary air to ensure that the flame does not carbon. First allow the unit to burn for 15-20 min. to stabilize.

**CAUTION:** Any alteration to the product that causes sooting or carboning that results in damage is not the responsibility of the manufacturer.

## LOCATING YOUR GAS FIREPLACE

- 1) When selecting a location for your fireplace, ensure that the clearances outlined on this page are met.
- 2) Provide adequate clearances for servicing.
- 3) The appliance must be installed on a flat, solid, continuous surface (e.g. wood, metal, concrete). This may be the floor, or raised up on a platform to enhance its visual impact. If the appliance is going to be installed on carpeting, combustible linoleum tile or other combustible material other than wood flooring, the appliance must be installed on a metal or wood panel extending the full width and depth of the appliance.
- 4) The P36D Direct Vent Gas Fireplace can be installed in a recessed position or framed out into the room as in A, B, C, D. See Diagram 1.



- A) Flat on Wall
- B) Flat on Wall Corner
- C) Recessed into Wall/Alcove
- D) Corner

- 5) This appliance is Listed for bedroom installations when used with a Listed Millivolt Thermostat. Some areas may have further requirements, check local codes before installation.
- 6) The P36D Direct Vent Gas Fireplace is approved for alcove installations, which meet the clearances listed on this page.
- 7) We recommend that you plan your installation on paper using exact measurements for clearances and floor protection before actually installing this appliance. Have a qualified inspector, dealer, or installer review your plans before installation.

**Note:** For vent terminations see page 20.

## MANUFACTURED MOBILE HOME ADDITIONAL REQUIREMENTS

- 1) Ensure that structural members are not cut or weakened during installation.
- 2) Ensure proper grounding using the #8 ground lug provided. See page 40.



## DUCT SYSTEM OPTION KIT #946-556

The **HeatWave** Air Duct Kit increases the effectiveness of your fireplace by dispersing warm air from the fireplace to remote locations in the same room or other rooms in your home.

Up to two kits may be installed on the fireplace. **Please Note:** Only 1 HeatWave kit may be operated at one time. This includes the internal blower option as well.

## OPTIONAL HEAT RELEASE KIT #946-570

The Heat Release Kit expels warm air from the fireplace to the outside of the building, allowing the fireplace to be operated with less heat entering the room. The kit may be used on either the left or right side.



## CLEARANCES

The clearances listed below are Minimum distances unless otherwise stated:

A major cause of chimney related fires is failure to maintain required clearances (air space) to combustible materials. It is of the greatest importance that this fireplace and vent system be installed only in accordance with these instructions.

**IMPORTANT: See page 17 for framing note on Barcelona Trim and Palace Series Fronts.**

### Clearance to Combustibles from:

Back	0"	(0mm)
Side	0"	(0mm)
Floor	0"	(0mm)

**NOTE: The minimum floor clearance must be maintained from the top surface of the carpeting, tile, etc.**

### Minimum Clearance from Top of Unit to:

Ceiling from top of unit. 32" (1016mm)

### Side Wall Clearances:

Bay or Flush Front	6"	(152mm)
Barcelona Trim	6"	(152mm)
Cast Faceplate	6"	(152mm)
Kensington Front	6"	(152mm)
Balmoral & Westminster Front	6"	(152mm)

\* Measured from Surround or Front. See page 14 for dimensions.

### Horizontal Vent Clearances:

Top	2"	(51mm)
Side	1-1/2"	(38mm)
Bottom	1-1/2"	(38mm)

Vertical Vent Clearances 1-1/4" (32mm)

### Alcove Clearances\*\*:

Max. Depth	36"	(914mm)
Min. Width	48"	1219mm)
Min. Height	72"	1829mm)

\*\*Approved for one sidewall installation only when using *Barcelona Trim*.

**WARNING: Fire hazard is an extreme risk if these clearances are not adhered to.**



The **HeatWave** Duct Kit and the Heat Release Kit have different clearance and framing requirements, check the **HeatWave** and Heat Release manual for details.

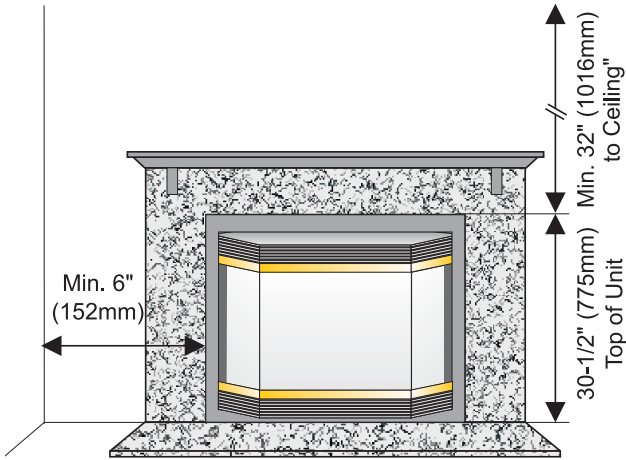
**Heat Release Kit**

**Barcelona & Double Screen Door Installations**

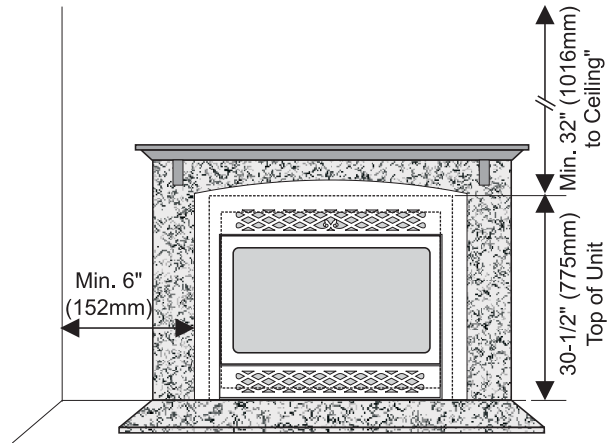
To install the combination of the Barcelona front and screen doors you must use **non-combustible mantel** in conjunction with the already **required framing specs for the Barcelona front**. Steel studs and non-combustible material on the facing must be adhered to.

# INSTALLATION

## REGENCY CLEARANCES

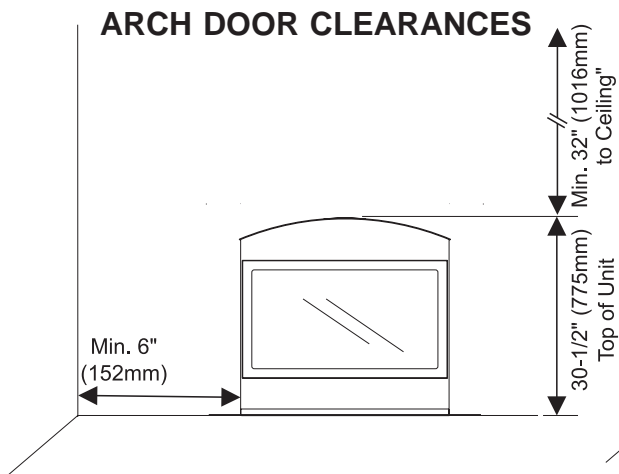


Clearances for Bay or Flush Front

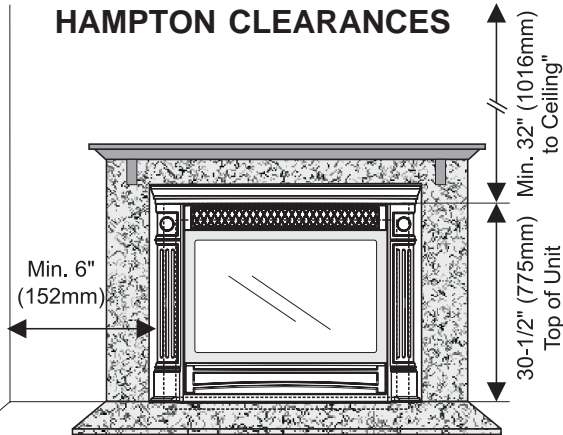


Clearances for Barcelona Trim

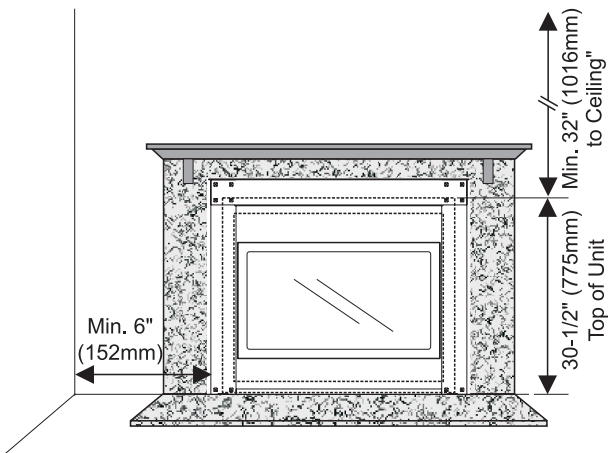
## ARCH DOOR CLEARANCES



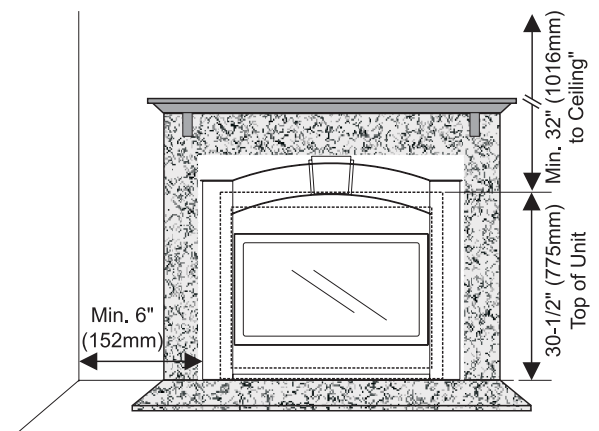
## HAMPTON CLEARANCES



## PALACE SERIES CLEARANCES



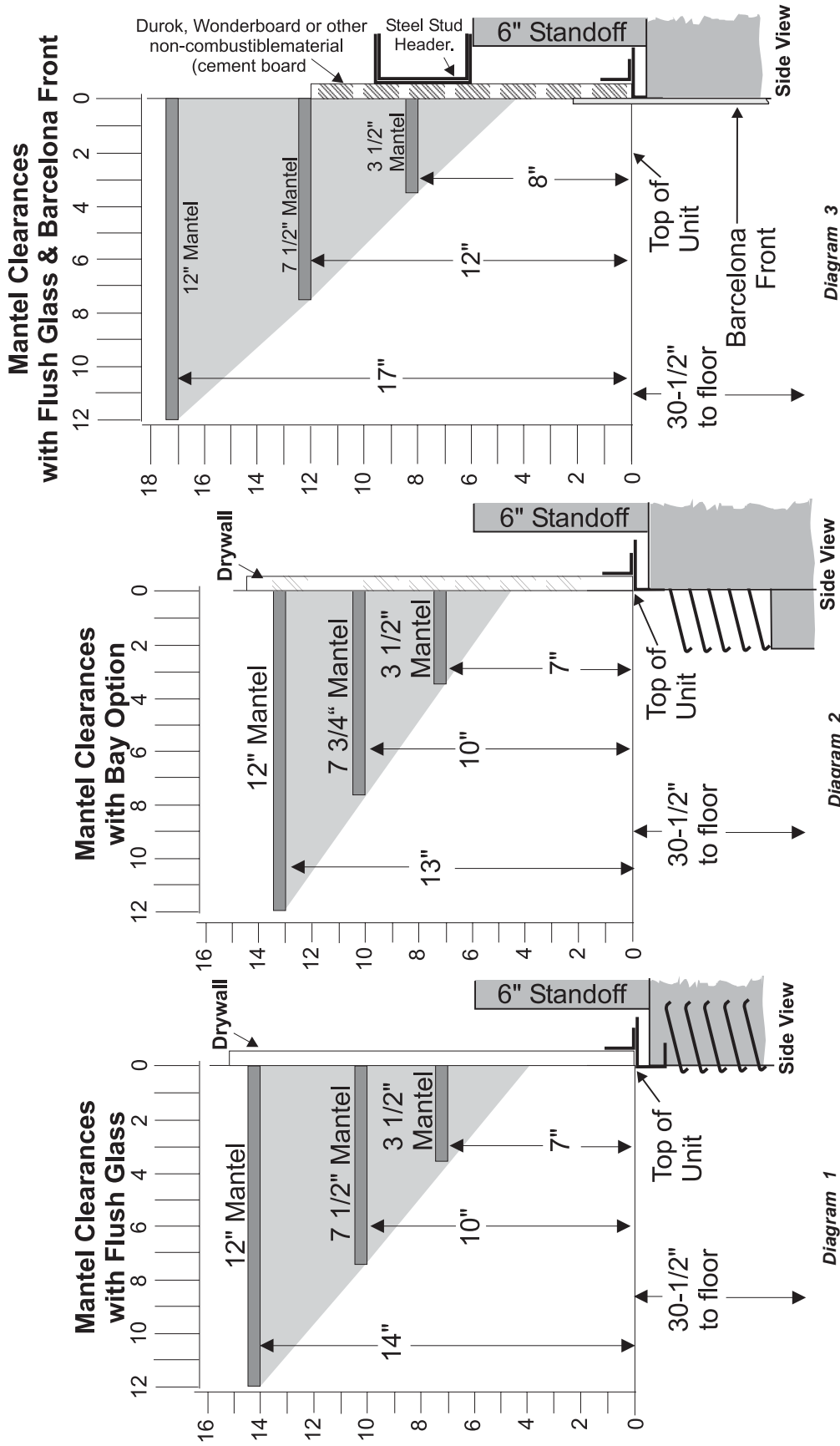
Clearances for The Balmoral & The Westminster Front



Clearances for The Kensington Front

## REGENCY COMBUSTIBLE MANTEL CLEARANCES

Because of the extreme heat this fireplace emits, the mantel clearances are critical. Note: A non-combustible mantel may be installed at a lower height if the framing is made of metal studs covered with a non-combustible board. Combustible mantel clearances from top of unit are shown in Diagrams 1, 2, & 3.



These drawings are to scale at 1:6 (one inch = 6 inches)  
Mantel can be installed anywhere in shaded area or higher using the above scale.

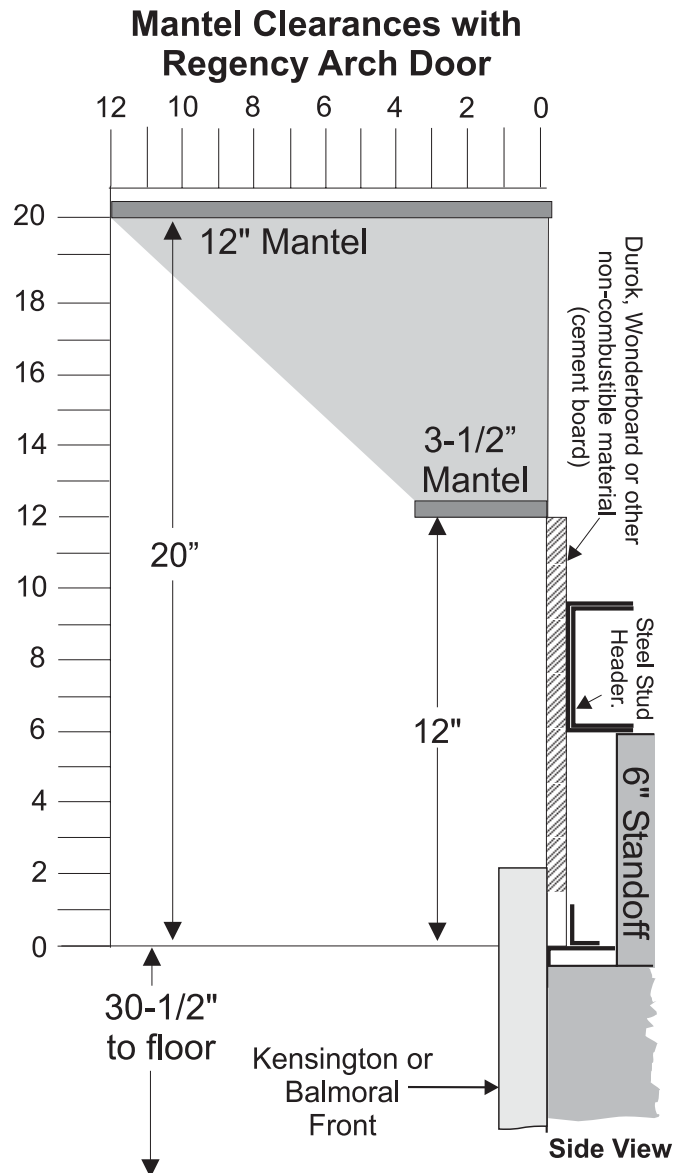
**Note:** Ensure the paint that is used on the mantel and the facing is "heat resistant" or the paint may discolour.

# INSTALLATION

## REGENCY SERIES COMBUSTIBLE MANTEL CLEARANCES

Because of the extreme heat this fireplace emits, the mantel clearances are critical. Combustible mantel clearances from top of unit are shown in the diagram below.

**Note:** A non-combustible mantel may be installed at a lower height if the framing is made of metal studs covered with a non-combustible board.



These drawings are to scale at 1:6 (one inch = 6 inches)

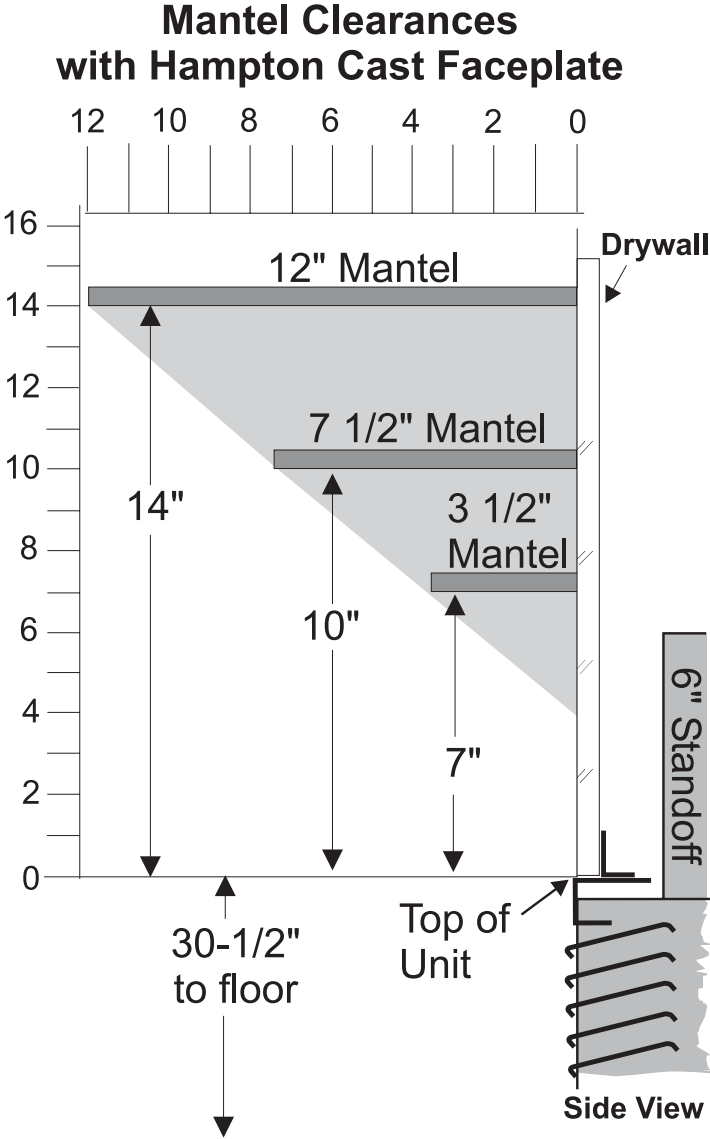
Mantel can be installed anywhere in shaded area or higher using the above scale.

**Note:** Ensure the paint that is used on the mantel and the facing is "heat resistant" or the paint may discolour.

HAMPTON COMBUSTIBLE MANTEL CLEARANCES

Because of the extreme heat this fireplace emits, the mantel clearances are critical. Combustible mantel clearances from top of unit are shown in the diagram below.

Note: A non-combustible mantel may be installed at a lower height if the framing is made of metal studs covered with a non-combustible board.



These drawings are to scale at 1:6 (one inch = 6 inches)  
Mantel can be installed anywhere in shaded area or higher using the above scale.

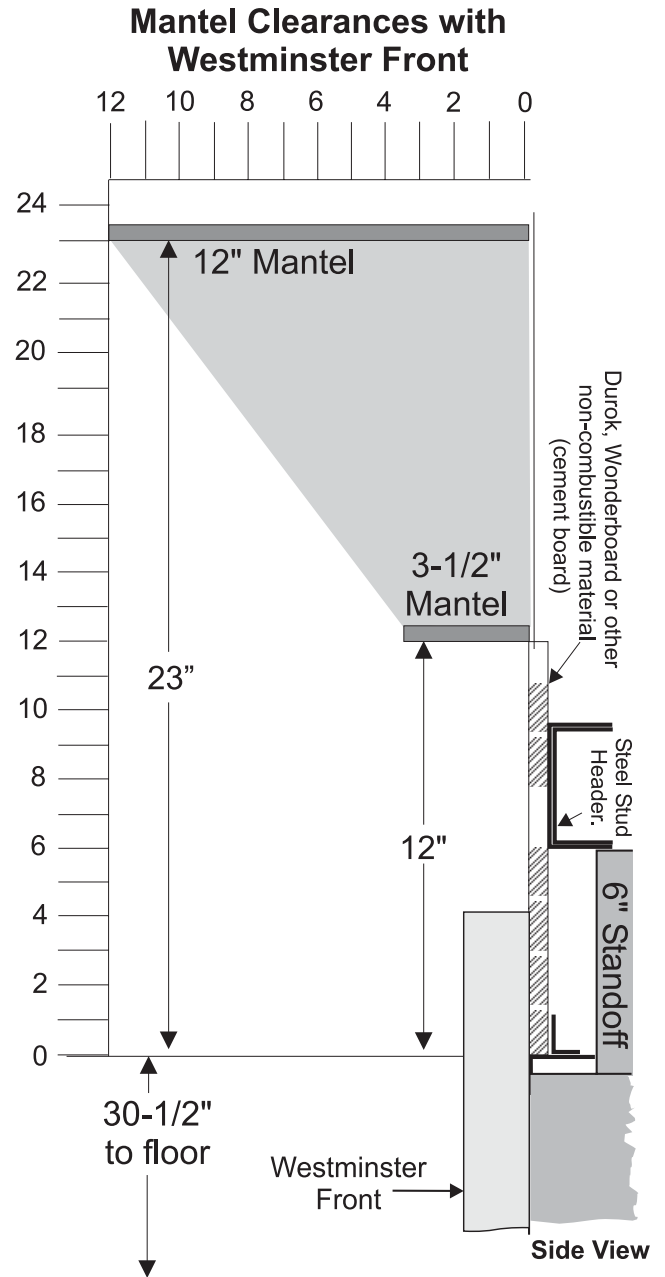
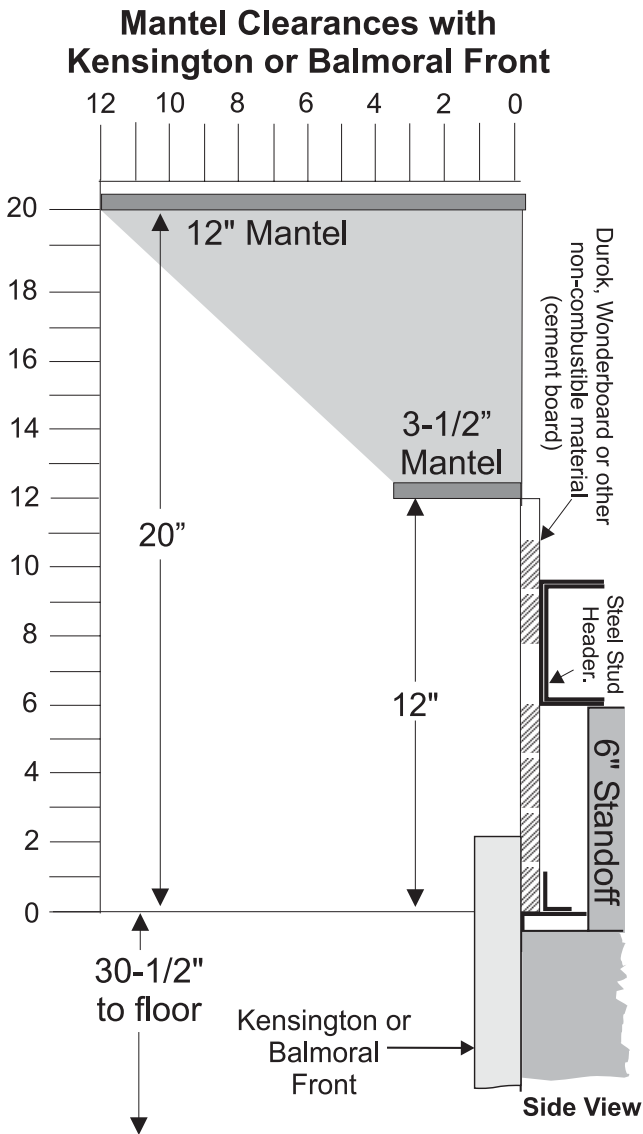
Note: Ensure the paint that is used on the mantel and the facing is "heat resistant" or the paint may discolour.

# INSTALLATION

## PALACE SERIES COMBUSTIBLE MANTEL CLEARANCES

Because of the extreme heat this fireplace emits, the mantel clearances are critical. Combustible mantel clearances from top of unit are shown in the diagram below.

**Note:** A non-combustible mantel may be installed at a lower height if the framing is made of metal studs covered with a non-combustible board.



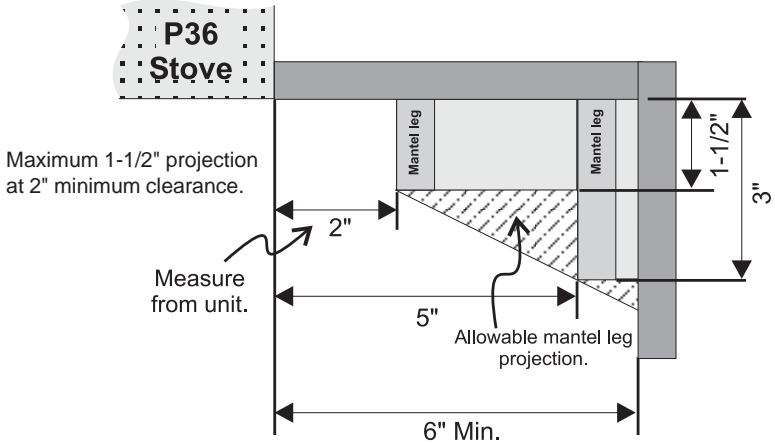
These drawings are to scale at 1:6 (one inch = 6 inches)  
Mantel can be installed anywhere in shaded area or higher using the above scale.

**Note:** Ensure the paint that is used on the mantel and the facing is "heat resistant" or the paint may discolour.



REGENCY MANTEL LEG CLEARANCES

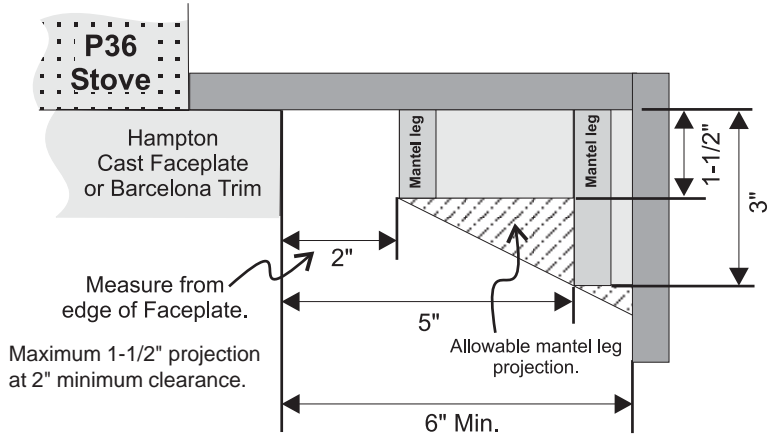
Combustible mantel leg clearances as per diagram:



HAMPTON & BARCELONA TRIM MANTEL LEG CLEARANCES

Combustible mantel leg clearances as per diagram:

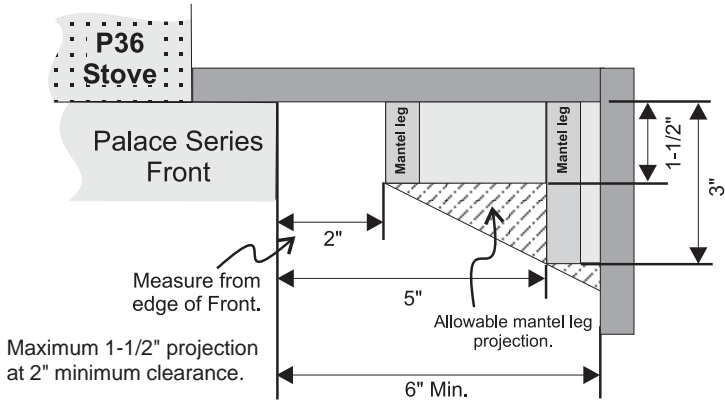
Hampton Cast Faceplate Width: 43-1/4"  
Barcelona Trim Width: 40"



PALACE SERIES MANTEL LEG CLEARANCES

Combustible mantel leg clearances as per diagram:

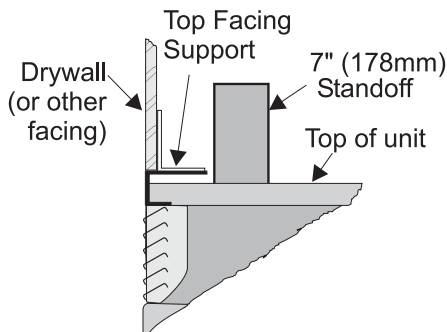
Kensington Front Width: 42-5/8"  
Balmoral Front Width: 40-5/8"  
Westminster Front Width: 40-5/8"



# INSTALLATION

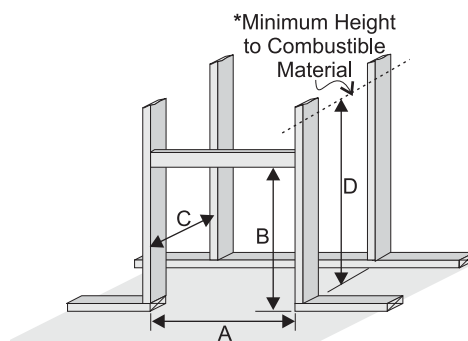
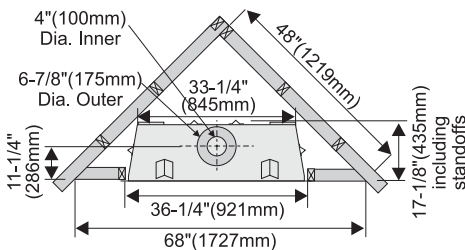
## FRAMING AND FINISHING

- 1) Determine the total thickness of facing material (e.g. drywall plus ceramic tiles) to allow the finished surface to be flush with the front of the unit. Total facing thickness can vary from 1/2" (13mm) to 1-1/4" (32mm) thick.



**Install Side Nailing Strips, Top Facing Support, and Top Standoffs before unit is slipped into position. See page 17 for assembly details.**

- 2) Frame in the enclosure for the unit with framing material. The framed opening is 37-1/4" high x 36-1/4" wide x 17-3/8" deep (946mm high x 921mm wide x 441mm deep).

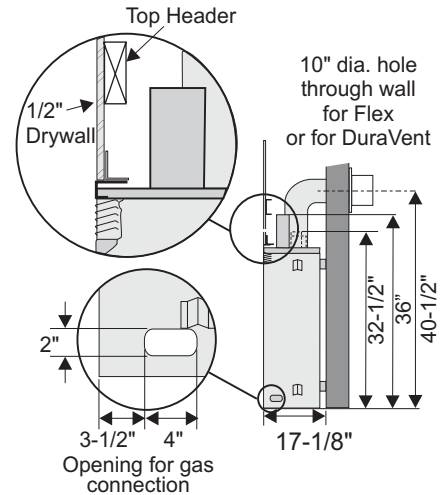


**NOTE: See next page for important Barcelona and Palace Series framing note.**

Framing Dimensions			
A	B	C	D
36-1/4"	37-1/4"	17-3/8"	46-1/2"*
921mm	946mm	441mm	1181mm*

\* 'D' is Minimum height to combustible materials including the Minimum 2-1/2" (64mm) Top clearance to the Horizontal Vent.

- 3) For exterior walls, insulate the enclosure to the same degree as the rest of the house, apply vapour barrier and drywall, as per local installation codes. (**Do not insulate the fireplace itself.**)
- 4) The top of the unit must not be closer than 32" (813mm) to the ceiling.



**Note: 40-1/2" (1029mm) is the minimum height for both flex termination or Simpson Dura-Vent venting.**

**Note: The unit does not have to be completely enclosed in a chase. The clearance on top of the unit is 0" to the standoffs so combustible building materials can be laid directly on top of the standoffs. You must maintain clearance from the vent to combustible materials for flex, see Vent Clearances.**

- 5) Use steel studs for framing where the 1-1/2" (38mm) clearance from the vent to combustible material cannot be maintained, e.g. front top header.

**BARCELONA & PALACE SERIES FRAMING NOTE**

When installing the optional Barcelona Front or Palace Series, a non-combustible material 12" (305mm) above the unit and 6" (153mm) on each side must be used. See diagram 1.

The Barcelona Front and Palace Series also requires steel stud framing above and on each side of the unit. See diagram 1.

**Front Framing Dimensions using the Barcelona or Palace Series Option**

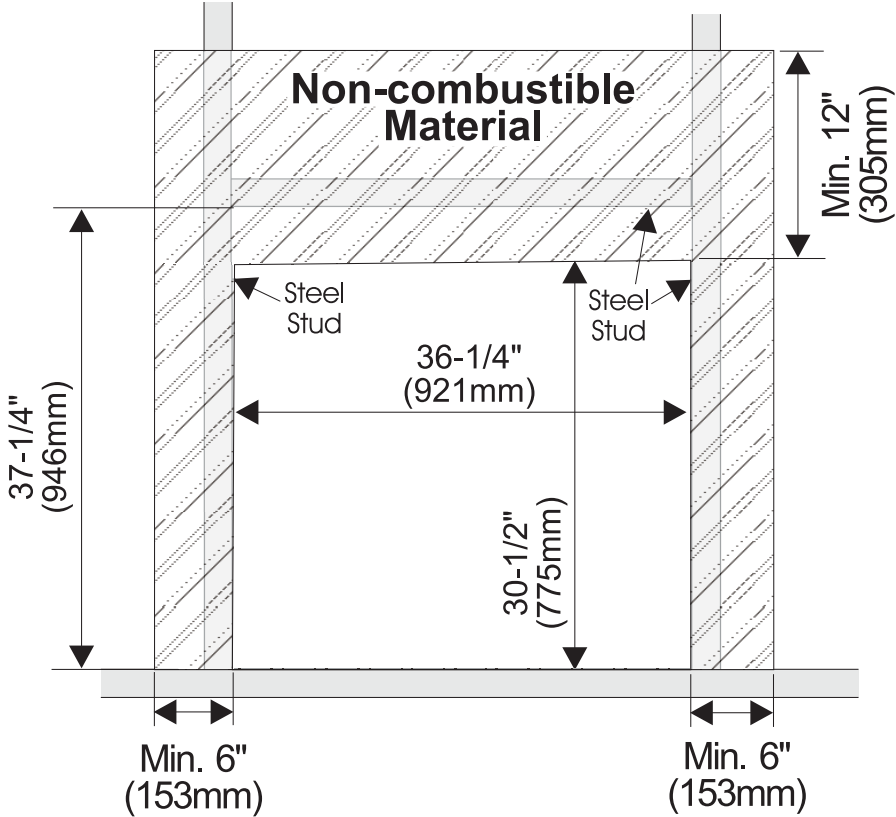


Diagram 1

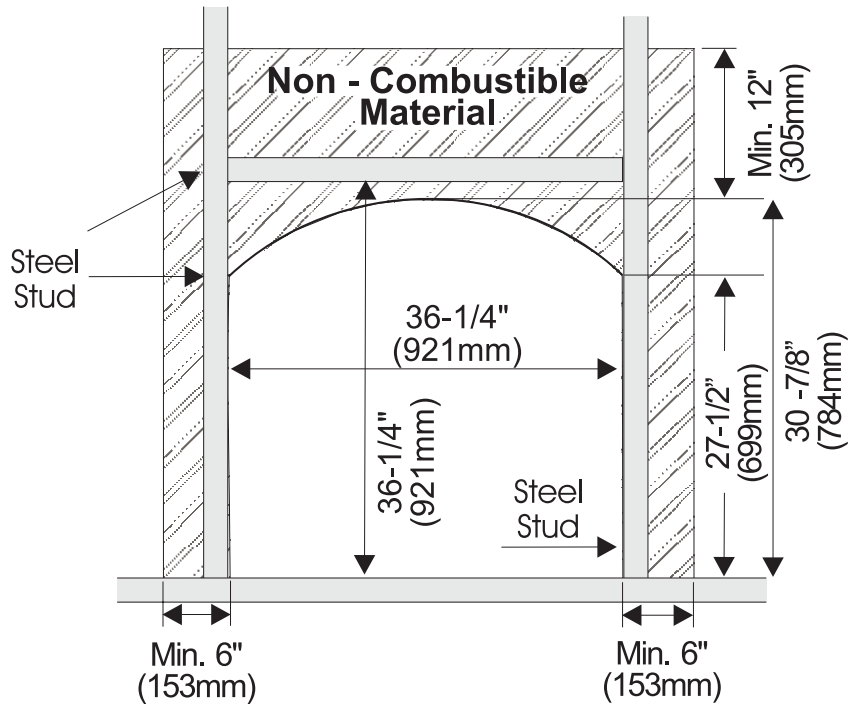
# INSTALLATION

## ARCH DOOR SERIES FRAMING NOTE

When installing the optional Arch Door Series, a non-combustible material 12" (305mm) above the unit and 6" (153mm) on each side must be used. See diagram 2.

The Arch Door Series also requires steel stud framing above and on each side of the unit. See diagram 2.

### Front Framing Dimensions using the Arch Door Series Option



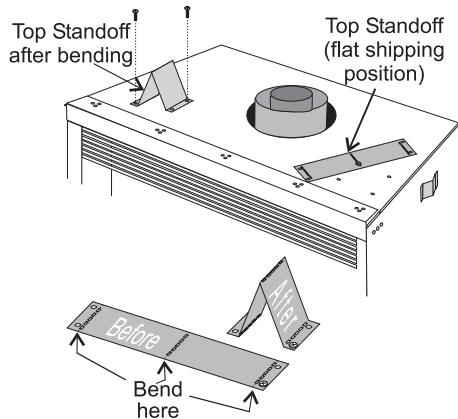
## UNIT ASSEMBLY PRIOR TO INSTALLATION

The Top Facing Support, the Side Nailing Strips and the 2 Top Standoffs must be correctly positioned and attached to the top before unit is slipped into position.

### Top Standoff Assembly

The top standoffs are shipped in a flat position and must be folded into shape and attached.

- 1) Remove the standoffs from the fireplace top.
- 2) Take each standoff and bend into the correct shape. Bend up at the bend lines until the screw holes in the standoff and the pre-punched screw holes on the fireplace top line up.
- 3) Attach the standoff securely to the top with 2 screws per standoff (on opposite corners).



### Top Facing Support and Side Nailing Strips

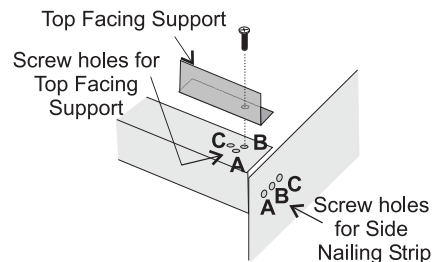
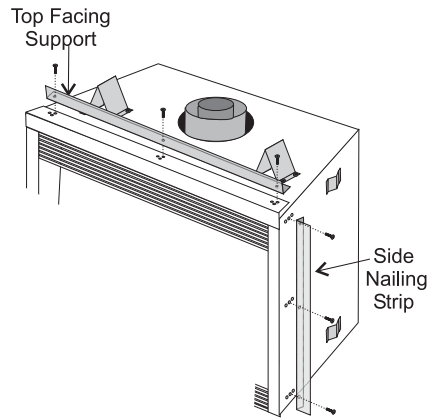
Determine the total thickness of facing material (e.g. drywall plus ceramic tiles) to allow the finished surface to be flush with the front of the unit. Total facing thickness can vary from 1/2" (13mm) to 1-1/4" (32mm) thick.

The Top Facing Support & Side Nailing Strips can be mounted in 3 different positions depending on the thickness of the facing material.

Screw Position	Facing Material Depth
A	1/2" / 13mm
B	7/8" / 22mm
C*	1-1/4" / 32mm

\* For "C" screw position the top facing support is reversed.

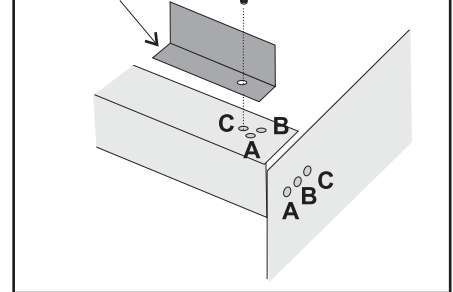
- 1) Mount Top Facing Support using the 3 supplied screws into the three pre-punched screw holes on the top front of the unit. Use hole positions A, B, or C depending on your facing depth.



#### "C" Screw Position:

For a facing material depth of 1-1/4" (32mm), the top facing support must be reversed.

Top Facing Support is reversed for "C" hole position



- 2) Use the same screw hole position for the Side Nailing Strips as was used for the Top Facing Support. Attach each side nailing strip using 3 screws.

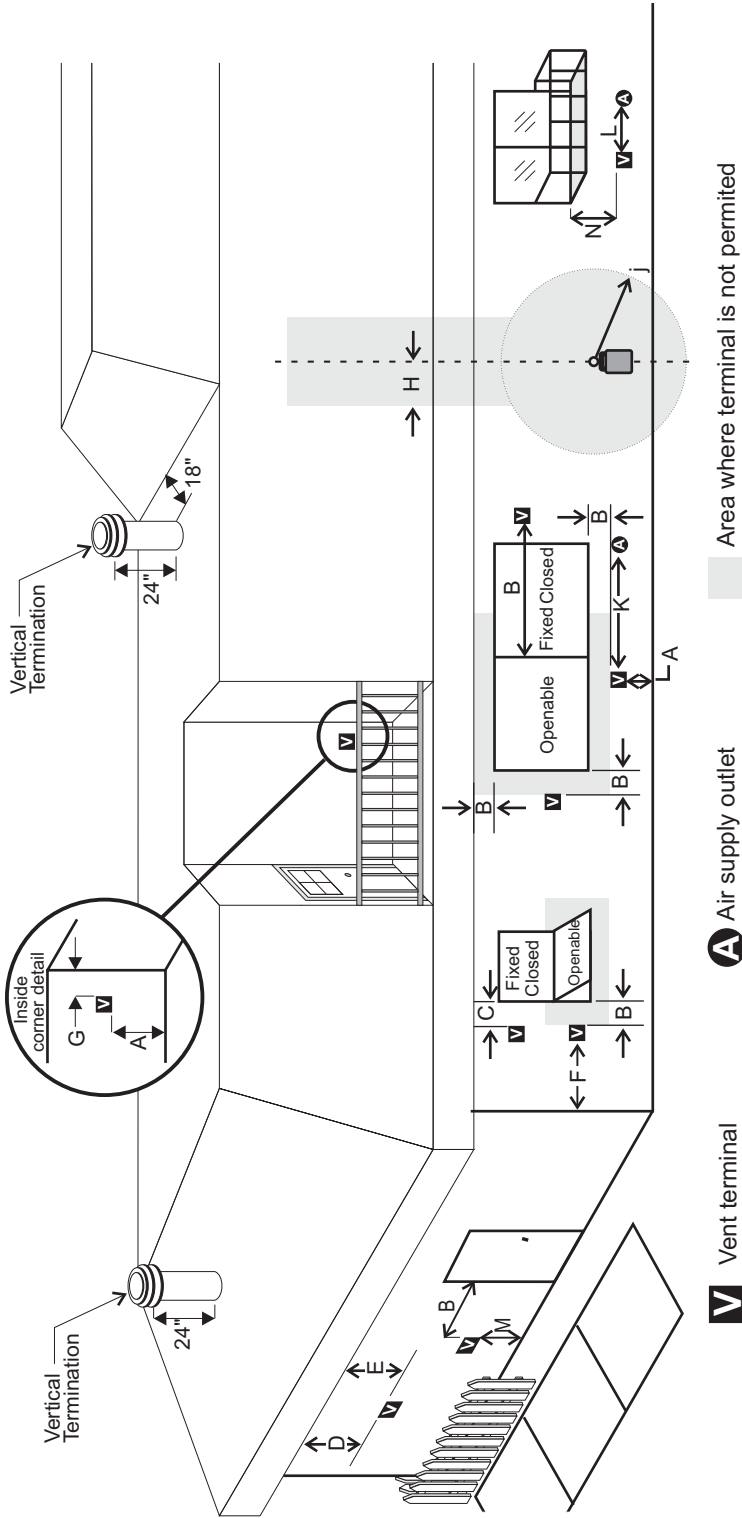
## VENTING INTRODUCTION

The P36D uses the "balanced flue" technology Co Axial system. The inner liner vents products of combustion to the outside while the outer liner draws outside combustion air into the combustion chamber thereby eliminating the need to use heated room air for combustion and losing warm room air up the chimney.

**Note: These flue pipes must not be connected to any other appliance.**

The gas appliance and vent system must be vented directly to the outside of the building, and never be attached to a chimney serving a separate solid fuel or gas burning appliance. Each direct vent gas appliance must use its own separate vent system. Common vent systems are prohibited.

## EXTERIOR VENT TERMINATION LOCATIONS



- A= Clearance above grade, veranda, porch, deck, or balcony \*(min. 12"/30cm)
- B= Clearance to window or door that may be opened \*(12"/30cm)
- C= Clearance to permanently closed window \*(min. 12"/30cm)
- D= Vertical clearance to ventilated soffit located above the terminal within a horizontal distance of (24"/60cm) from the centerline of the terminal (min. 18"/46cm) check with local code.
- E= Clearance to unventilated soffit (min. 15"/38cm)
- F= Clearance to outside corner: with **AstroCap** Termination Cap (min. 6"/15cm), with Dura-Vent Termination Cap (14"/36cm)
- G= Clearance to inside corner: with **AstroCap** Termination Cap (min. 6"/15cm), with Dura-Vent Termination Cap (12"/30cm)
- H= Not to be installed above a meter/regulator assembly within (3'/90cm) horizontally from the centerline of the regulator.
- J= Clearance to service regulator vent outlet \*(min. 36"/90cm)
- K= Clearance to non-mechanical air supply inlet to building or the combustion air inlet to any other appliance \*(12"/30cm)
- L= Clearance to a mechanical air supply inlet \*(min. 72"/1.8m)
- M= Clearance above paved sidewalk or a paved driveway located on public property \*(min. 84"/2.1m)
- N= Clearance under veranda, porch, deck, or balcony \*(min. 12"/30cm)

**Note:**

- A vent shall not terminate directly above a sidewalk or paved driveway which is located between two single family dwellings and serves both dwellings.
- Only permitted if veranda, porch, deck, or balcony is fully open on a minimum of two sides beneath the floor.
- If the vent termination is accessible, a certified guard shall be installed.
- \* As specified in CGA B149 Installation Code. Note: Local codes or regulations may require different clearances.



## VENTING

### FPI Direct Vent System (Flex) Horizontal Terminations Only

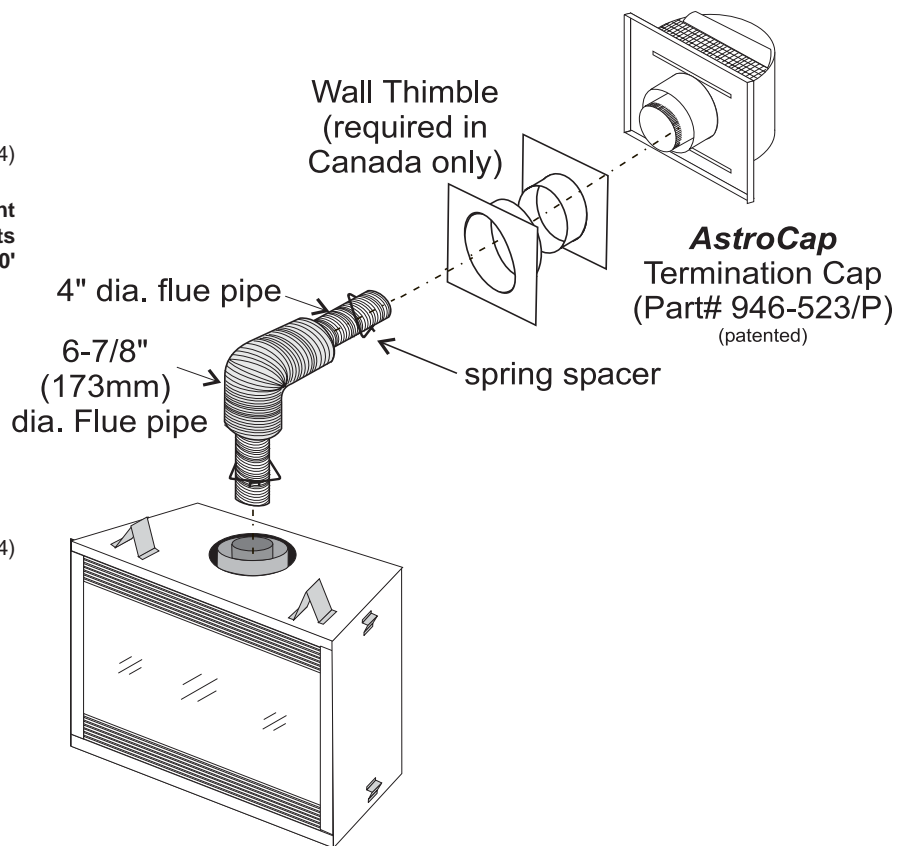
These venting systems, in combination with the P36D Direct Vent Gas Fireplace, have been tested and listed as a direct vent heater system by Warnock Hersey. The location of the termination cap must conform to the requirements in the Vent Terminal Locations diagram on page 20.

**FPI Direct Vent (Flex) System Termination Kit (Part # 946-515) includes all the parts needed to install the P36D with a maximum run of 4 feet.**

- 1) 6-7/8" dia. flexible liner (4 ft. length)
- 2) 4" dia. flexible liner (4 ft. length)
- 3) spring spacers (4)
- 4) thimble (2)
- 5) **AstroCap** termination cap (1)
- 6) screws (12)
- 7) tube of Mill Pac (1)
- 8) plated screws (8)
- 9) screws #8 x 1-1/2" Drill Point, Stainless Steel (4)

**If longer runs are needed, the FPI Direct Vent system (Flex) # 946-516 includes all the parts needed to install the P36D with a maximum 10' run.**

- 1) 6-7/8" dia. flexible liner (10 ft. length)
- 2) 4" dia. flexible liner (10 ft. length)
- 3) spring spacers (7)
- 4) thimble (2)
- 5) **AstroCap** termination cap (1)
- 6) screws (12)
- 7) tube of Mill Pac (1)
- 8) plated screws (8)
- 9) screws #8 x 1-1/2" Drill Point, Stainless Steel (4)



#### Notes:

- 1) Liner sections should be continuous without any joints or seams.
- 2) Only Flex pipe purchased from FPI may be used for Flex installations.

# INSTALLATION

## RIGID PIPE VENTING COMPONENTS LIST

All Simpson Dura-Vent components are available directly from FPI.

Description	Simpson Dura-Vent Direct VentGS®	Selkirk Direct-Temp™	Amerivent® Direct Vent
6" Pipe Length, Galvanized	908	4DT-6	N/A
6" Pipe Length, Black	908B	4DT-6B	N/A
7" Pipe Length, Galvanized	N/A	N/A	4D7
7" Pipe Length, Black	N/A	N/A	4D7B
9" Pipe Length, Galvanized	907	4DT-9	N/A
9" Pipe Length, Black	907B	4DT-9B	N/A
12" Pipe Length, Galvanized	906	4DT-12	4D12
12" Pipe Length, Black	906B	4DT-12B	4D12B
18" Pipe Length, Galvanized	N/A	4DT-18	N/A
18" Pipe Length, Black	N/A	4DT-18B	N/A
24" Pipe Length, Galvanized	904	4DT-24	4D2
24" Pipe Length, Black	904B	4DT-24B	4D2B
36" Pipe Length, Galvanized	903	4DT-36	4D3
36" Pipe Length, Black	903B	4DT-36B	4D3B
48" Pipe Length, Galvanized	902	4DT-48	4D4
48" Pipe Length, Black	902B	4DT-48B	4D4B
Adjustable Length, 11"-14", Galv.	911	4DT-AJ	N/A
Adjustable Length, 11"-14", Black	911B	4DT-AJB	N/A
Adjustable Length, 17"-24", Black	917B	N/A	N/A
Adjustable Length, 7" Galvanized	N/A	N/A	4D7A
Adjustable Length, 7" Black	N/A	N/A	4D7AB
Adjustable Length, 12" Galvanized	N/A	N/A	4D12A
Adjustable Length, 12" Black	N/A	N/A	4D12AB
45° Elbow, Galvanized	945	4DT-EL45	4D45L
45° Elbow, Black	945B	4DT-EL45B	4D45LB
45° Elbow, Swivel, Galvanized	945G	N/A	N/A
45° Elbow, Swivel, Black	945BG	N/A	N/A
90° Elbow, Galvanized	990	4DT-EL90S	4D90LS
90° Elbow, Black	990B	4DT-EL90SB	4D90LBS
90° Elbow, Swivel, Galvanized	990G	N/A	N/A
90° Elbow, Swivel, Black	990BG	N/A	N/A
Ceiling Support	949 - n/a from FPI	4DT-CS	4DFSP
Cathedral Support Box	941	4DT-CSS	4DRSB
Wall Support/Band	988	4DT-WS/B	4DWS
Offset Support	989 - n/a from FPI	4DT-OS	N/A
Wall Thimble, Black	942	4DT-WT	4DWT
Wall Thimble Support Box/Ceiling Support	940	N/A	N/A
Firestop Spacer	963	4DT-FS	4DFSP
Trim Plate, Black	N/A	4DT-TP	4DFPB
Brass Trim for Wall Thimble/Ceiling Support	3951	N/A	N/A
Attic Insulation Shield 12"	N/A	N/A	4DAIS12
Attic Insulation Shield - Cold Climates 36"	N/A	N/A	4DAIS36
Basic Horizontal Termination Kit (A)	970	4DT-HKA	4DHTK2
Horizontal Termination Kit (B)	971	4DT-HKB	4DHTK1
Vertical Termination Kit	978	4DT-VKC	4DVTK
High Wind Vertical Cap	991	N/A	N/A
High Wind Horizontal Cap	985	N/A	N/A
Horizontal Square Termination Cap	984	4DT-HHC	4DHC
Verical Termination Cap	980	4DT-HVC	4DVC
Storm Collar	953	4DT-SC	4DSC
Adjustable Flashing, 0/12-6/12	943	4DT-AF6	4DF
Adjustable Flashing, 6/12-12/12	943S	4DT-AF12	4DF12
Vinyl Siding Standoff	950	4DT-VS	N/A
Vinyl Siding Shield Plate	N/A	4DT-VSP	N/A
Snorkel Termination 14"	982	4DT-ST14	4D12S
Snorkel Termination 36"	981	4DT-ST36	4D36S
946-506/P Vent Guard (Optional)	946-205	Vinyl Siding Shield for Riser Vent Terminal	
510-994 Rigid Pipe Adaptor (Must use with all Rigid Piping)	946-208/P	Vent Guard (Optional) - Riser Vent Terminal	
640-994 U37 Rigid Pipe Adaptor	946-523/P	AstroCap Horizontal Cap	
640-530/P Riser Vent Terminal	946-206	Vinyl Siding Standoff - AstroCap	

## RIGID PIPE VENTING SYSTEMS *Horizontal or Vertical Terminations*

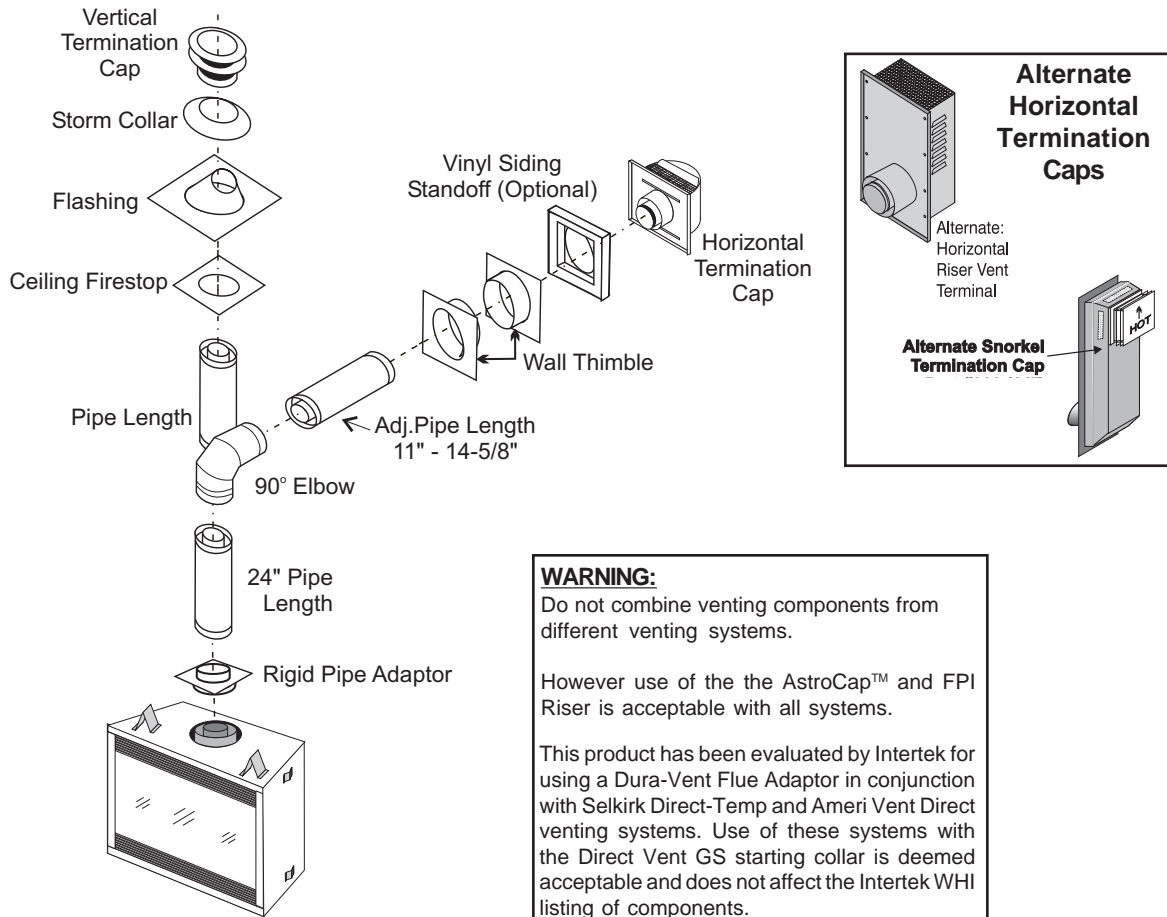
The minimum components required for a basic horizontal termination are:

- 1 Horizontal Termination Cap
- 1 90° Elbow
- 1 Rigid Pipe Adaptor
- 1 Wall Thimble
- 1 Length of pipe to suit wall thickness (see chart)

Wall thickness is measured from the back standoffs to the inside mounting surface of termination cap. For siding other than vinyl furring strips may be used, instead of the vinyl siding standoff, to create a level surface to mount the vent terminal. The Terminal must not be recessed into siding. Measure the wall thickness including furring strips.

If a Vinyl Siding Standoff is required (it must be used with vinyl siding), measure to outside surface of wall without siding and add 2 inches.

Flat Wall Installation	
Wall Thickness (inches)	Vent Length Required (inches)
4" - 5-1/2"	6"
7" - 8-1/2"	9"
10" - 11-1/2"	12"
9" - 14-1/2"	11" - 14-5/8" Adj. Pipe
15" - 23-1/2"	17" - 24" Adj. Pipe
Corner Installation	
Wall Thickness (inches)	Vent Length Required (inches)
3-1/4" - 6-3/4"	11" - 14-5/8" Adj. Pipe
7-3/4" - 16-1/4"	17" - 24" Adj. Pipe
7-1/4" - 8-3/4"	6" + 12" 9" + 9"
4-1/4" - 5-3/4"	6" + 9"



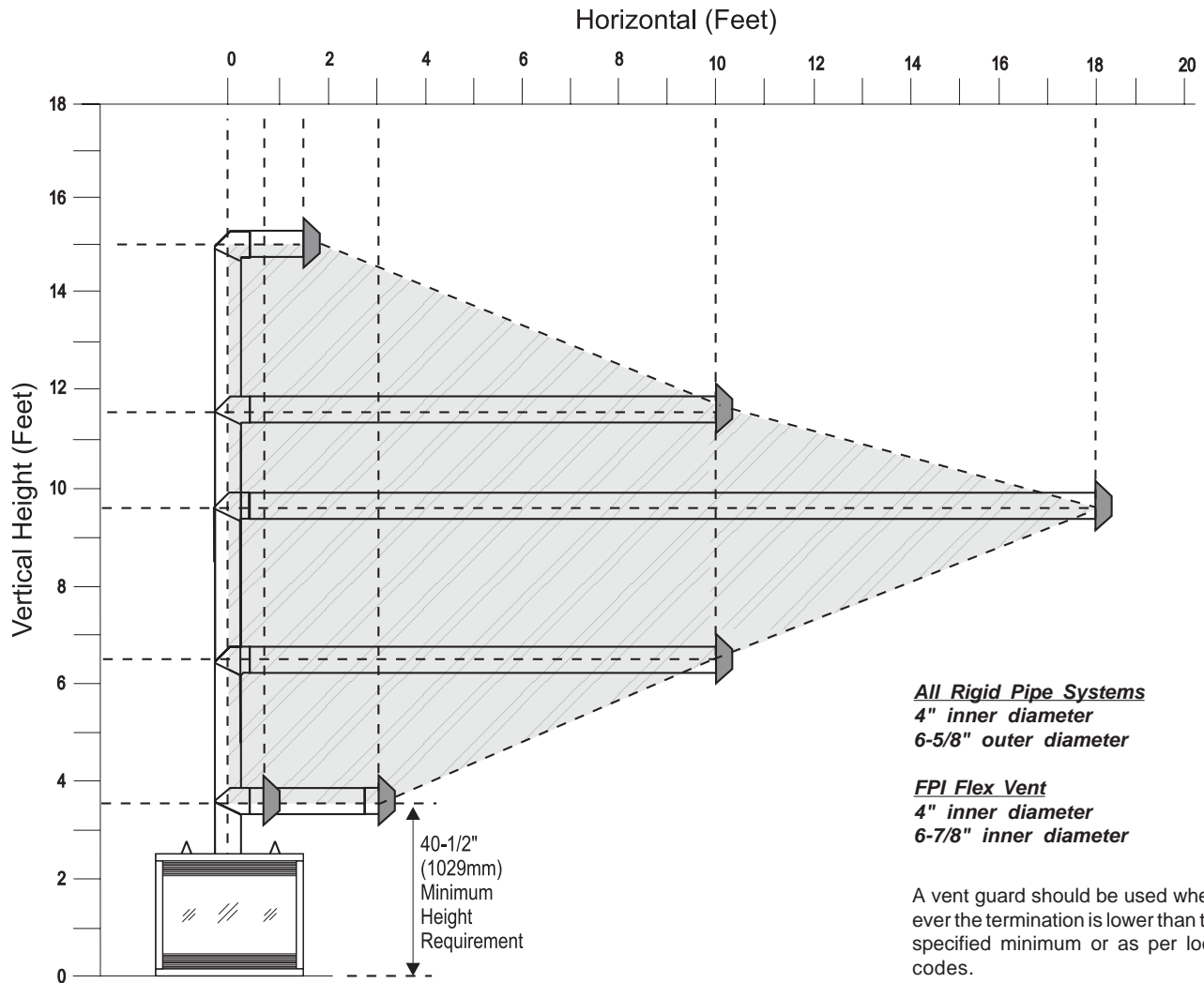
The FPI AstroCap™ and FPI Riser Vent terminal is certified for installations using FPI venting systems as well as Simpson Dura-Vent®, Direct Vent GS, American Metal Products, and AmeriVent Direct Vent. FPI™, and FPI AstroCap™ are the proprietary trademarks of FPI Fireplace Products International Ltd. Dura-Vent® and Direct Vent GS are registered and/or proprietary trademarks of Simpson Dura-Vent Co. Inc.

# INSTALLATION

## VENTING ARRANGEMENTS - HORIZONTAL TERMINATIONS RIGID PIPE and FPI DIRECT VENT SYSTEM (FLEX) (Propane & Natural Gas)

The diagram shows all allowable combinations of vertical runs with horizontal terminations, using one 90° elbow (two 45° elbows equal one 90° elbow).

**Note:** Must use optional rigid pipe adaptor (Part # 510-994) when using Rigid Pipe venting systems.



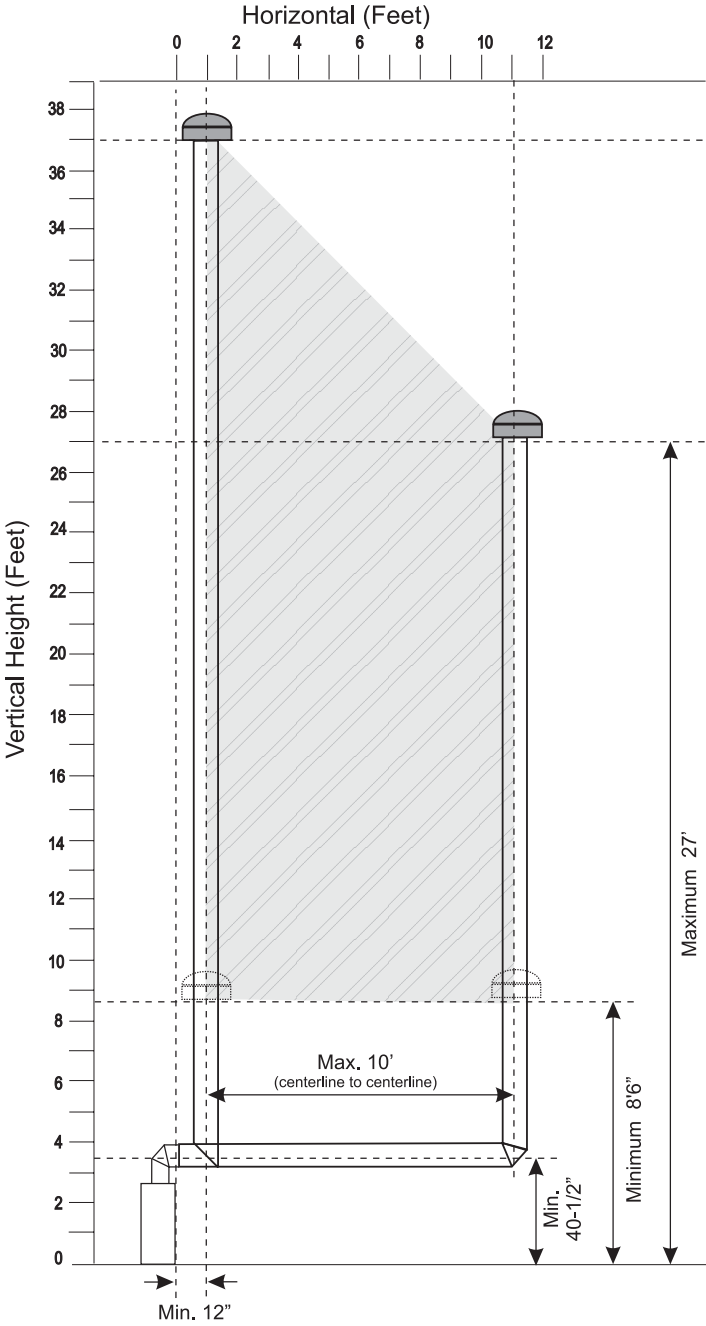
**Note:** FPI Direct Vent System (Flex) Part #'s 946-515 and 946-516 is only approved for horizontal terminations.

- Maintain clearances to combustibles.
- Horizontal vent must be supported every 3 feet.
- Firestops are required at each floor level and whenever passing through a wall.

**NOTE:** If you are installing the P36D into a FPI cabinet Mantel Kit, use the minimum horizontal vent height (centre-line of 40-1/2"). Remember to include the mantel base (3" in height) in your calculations and to maintain the 2" clearance from the top with rigid or flex pipe systems to the underside of the mantel top.

## VENTING ARRANGEMENTS - VERTICAL TERMINATIONS RIGID PIPE SYSTEM (Propane & Natural Gas)

The shaded area in the diagram shows all allowable combinations of straight vertical and offset to vertical terminations, using two 90° elbow, with rigid pipe vent systems for Propane and Natural Gas.



- Vent must be supported at offsets.
- Firestops are required at each floor level and whenever passing through a wall.
- Maintain clearances to combustibles.

Note: Must use optional rigid pipe adaptor when using rigid pipe vent systems (Part # 510-994).

# INSTALLATION

The P36D is approved for a 40 ft. straight vertical, with **rigid pipe** vent systems for Propane and Natural Gas, as per the diagram 1.

The shaded area in the diagram 1 shows all allowable combinations of straight vertical and offset to vertical terminations with **rigid pipe** vent systems for Propane and Natural Gas. Maximum two 45° elbows allowed.

- **Vent must be supported at offsets**
- **Firestops are required at each floor level and whenever passing through a wall.**
- **Maintain clearances to combustibles.**

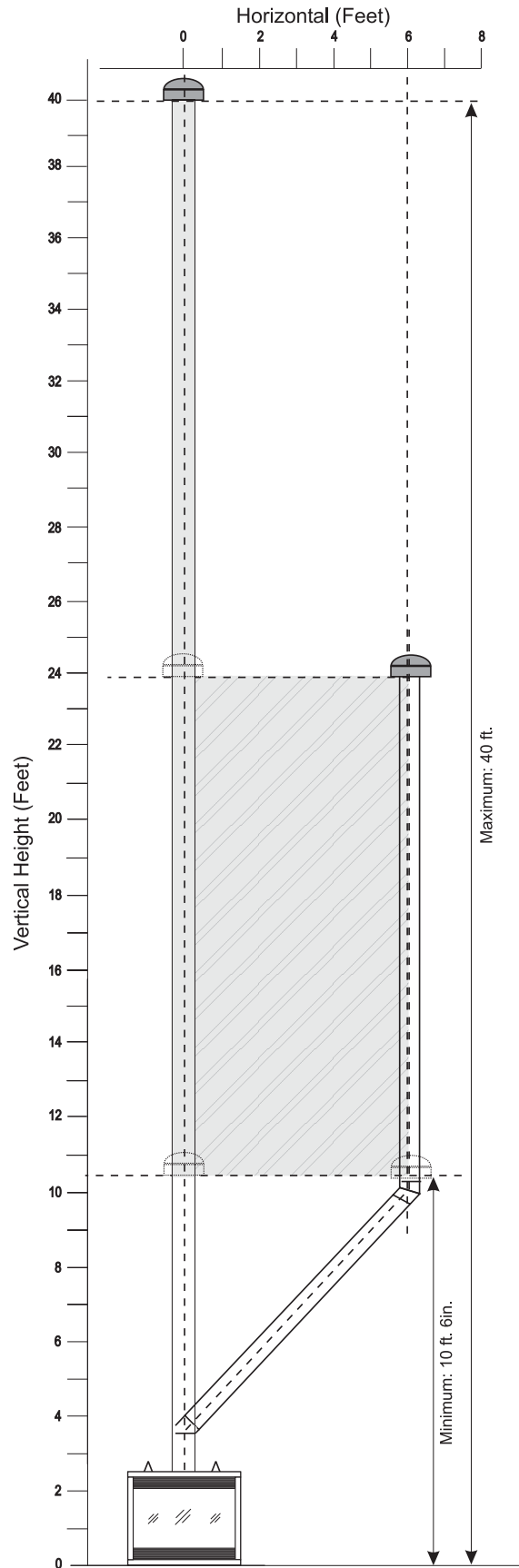
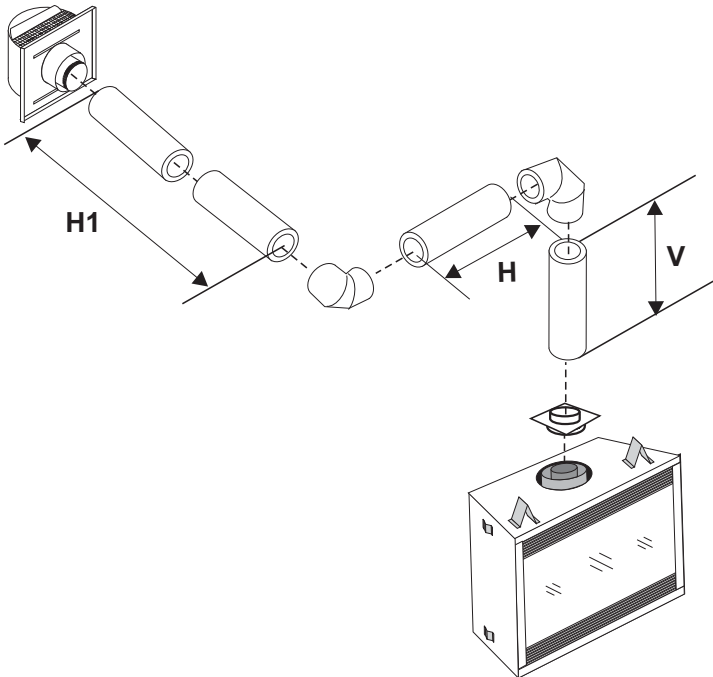


Diagram 1



## Horizontal Venting with Two (2) 90° Elbows

One 90° elbow = Two 45° elbows.



Option	V	H + H1
A)	0' Min.	2' Max.
B)	1' Min.	3' Max.
C)	2' Min.	4' Max.
D)	3' Min.	5' Max.
E)	4' Min.	6' Max.
F)	5' Min.	7' Max.
G)	6' Min.	8' Max.

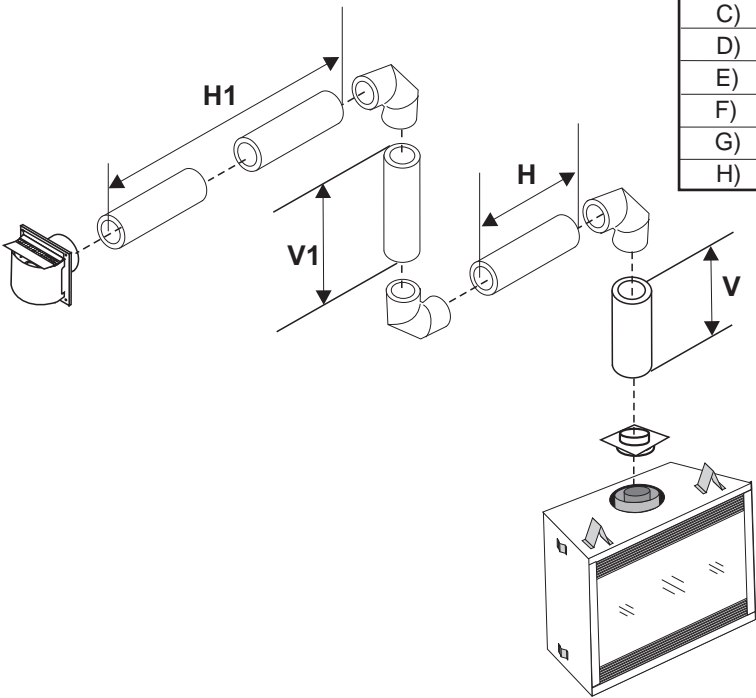
With these options, maximum total pipe length is 30 feet with minimum of 6 feet total vertical and maximum 8 feet total horizontal.

**Please note minimum 1 foot between 90° elbows is required.**

Lengths do not include elbow indicated.

## Horizontal Venting with Three (3) 90° Elbows

One 90° elbow = Two 45° elbows.



Option	V	H	V + V1	H + H1
A)	0' Min.	1' Max.	1' Min.	2' Max.
B)	1' Min.	2' Max.	3' Min.	3' Max.
C)	2' Min.	2' Max.	5' Min.	4' Max.
D)	3' Min.	2' Max.	7' Min.	5' Max.
E)	4' Min.	3' Max.	9' Min.	6' Max.
F)	5' Min.	4' Max.	10' Min.	7' Max.
G)	6' Min.	5' Max.	11' Min.	8' Max.
H)	7' Min.	6' Max.	12' Min.	9' Max.

With these options, max. total pipe length is 30 feet with min. of 12 feet total vertical and max. 9 feet total horizontal.

**Please note min. 1 foot between 90° elbows is required.**

Lengths do not include elbow indicated.

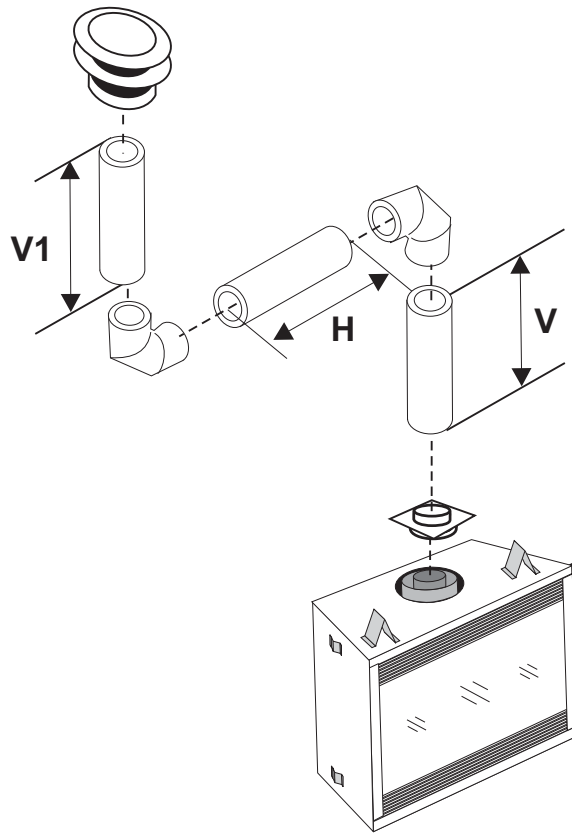
# INSTALLATION

## Vertical Venting with Two (2) 90° Elbows

One 90° elbow = Two 45° elbows.

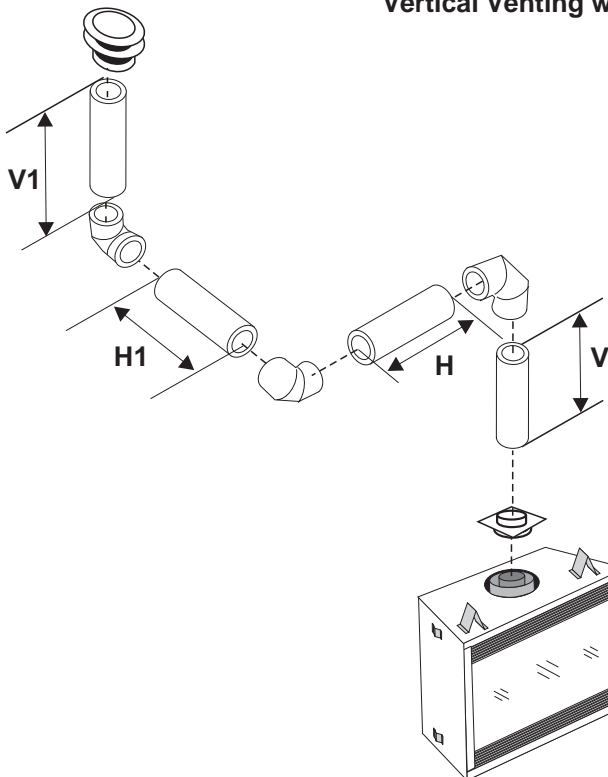
Option	V	H	V + V1	With these options, max. total pipe length is 30 feet with min. of 7 feet total vertical and max. 8 feet total horizontal.  <i>Please note min. 1 foot between 90° elbows is required.</i>
A)	0' Min.	2' Max.	1' Min.	
B)	1' Min.	4' Max.	3' Min.	
C)	2' Min.	5' Max.	4' Min.	
D)	3' Min.	6' Max.	5' Min.	
E)	4' Min.	7' Max.	6' Min.	
F)	5' Min.	8' Max.	7' Min.	

Lengths do not include elbow indicated.



## Vertical Venting with Three (3) 90° Elbows

One 90° elbow = Two 45° elbows.



Option	V	H + H1	V + V1	With these options, max. total pipe length is 30 feet with min. of 10 feet total vertical and max. 8 feet total horizontal.  <i>Please note min. 1 foot between 90° elbows is required.</i>
A)	0' Min.	2' Max.	2' Min.	
B)	1' Min.	2' Max.	3' Min.	
C)	2' Min.	3' Max.	4' Min.	
D)	3' Min.	4' Max.	6' Min.	
E)	4' Min.	5' Max.	7' Min.	
F)	5' Min.	6' Max.	8' Min.	
G)	6' Min.	7' Max.	9' Min.	
H)	7' Min.	8' Max.	10' Min.	

Lengths do not include elbow indicated.

## VERTICAL TERMINATION WITH CO-LINEAR FLEX SYSTEM

**THE APPLIANCE MUST NOT BE CONNECTED TO A CHIMNEY FLUE SERVING A SEPARATE SOLID FUEL BURNING APPLIANCE.**

Masonry chimneys may take various contours which the flexible liner will accommodate. However, **keep the flexible liner as straight as possible**, avoid unnecessary bending.

The Air Intake pipe must be attached to the inlet air collar of the termination cap.

This appliance is designed to be attached to two 3" (76mm) co-linear aluminium flex running the full length of the chimney. See the Venting Arrangements on next page for minimum and maximum heights.

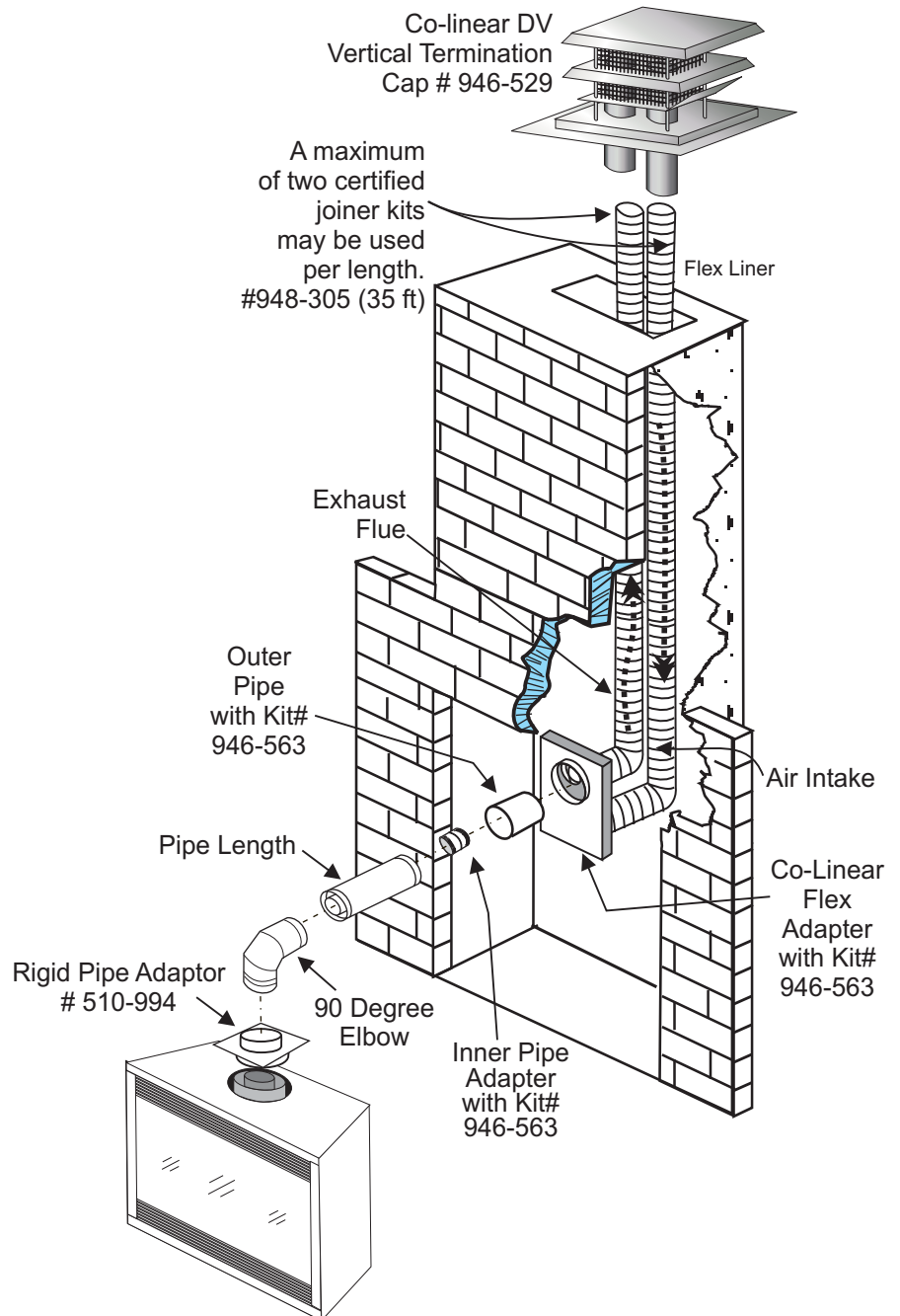
### Required Parts:

Part #	Description
946-529	Co-linear DV Vertical Termination Cap
948-305	3" Flex - 35 ft.
946-563	Co-Axial to Co-Linear Adapter Kit which contains the following: Co-linear Flex Adapter Outer Pipe Inner Pipe Adapter
510-994	Rigid Pipe Adaptor

### Alternate Approved Caps

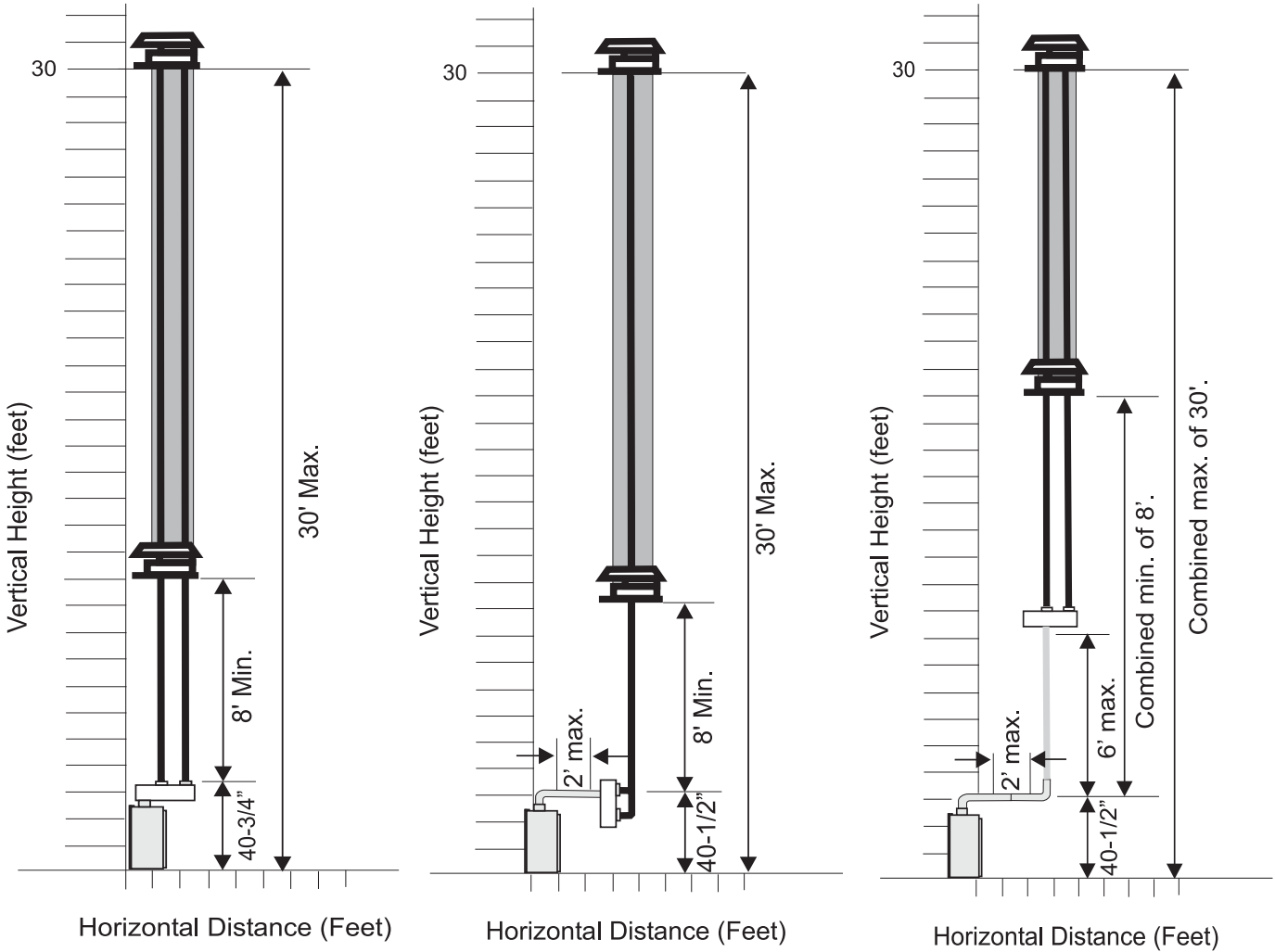
980	Vertical Termination Cap
991	High Wind Cap
923GK	3" Co-linear Adapter with flashing

**FPI Cabinet and/or Flat Wall Mantles may be used in these applications ensuring that clearances to combustibles are maintained.**



# INSTALLATION

## Venting Arrangements - Vertical Terminations with Co-linear Flex System for both Residential & Manufactured Homes into Masonry Fireplaces



The shaded area in the diagrams show the allowable vertical terminations.

## HORIZONTAL INSTALLATIONS

Install the vent system according to the manufacturer's instructions included with the components.

- 1) Set the unit in its desired location. Check to determine if wall studs or roof rafters are in the way when the venting system is attached. If this is the case, you may want to adjust the location of the unit. Rough in the gas preferably on the right side of the unit and the electrical (junction block is on the left side) on the left.
- 2) Direct Vent pipe and fittings are designed with special twist-lock connections to connect the venting system to the appliance flue outlet. A twist-lock appliance adaptor is an available option that must be used in conjunction with the Simpson Dura-Vent Direct Vent GS system.
- 3) Put a bead of silicone inside the outer section of the adapter and a bead of Mill Pac on the inner collar. Slip the adapter over the existing inner and outer flue collar and fasten to the outer collar only with the 3 supplied screws (drilling pilot holes will make this easier). Level the fireplace and fasten it to the framing using nails or screws through the nailing strips.
- 4) Assemble the desired combination of pipe and elbows to the appliance adaptor and twist-lock for a solid connection.

**Note:**

- a) Twist-lock procedure: Four indentations, located on the female ends of pipes and fittings, are designed to slide straight onto the male ends of adjacent pipes and fittings, by orienting the four pipe indentations so they match and slide in to the four entry slots on the male ends, Diagram 1. Push the pipe sections completely together, then twist-lock one section clockwise approximately one-quarter turn, until the two sections are fully locked. The female locking lugs will not be visible from the outside, on the Black Pipe or fittings. They may be located by examining the inside of the female ends.

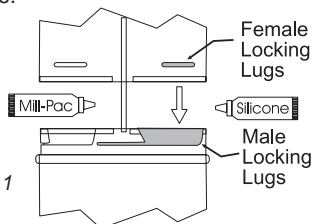


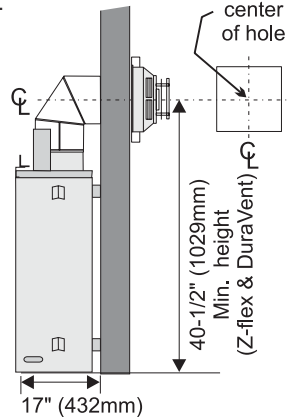
Diagram 1

**Note:** Apply sealant "Mill-Pac" to inner pipe and high temperature silicone sealant to outer pipe on every twist-lock joint.

- b) Horizontal runs of vent must be supported every three feet. Wall straps are available for this purpose.
- 5) Mark the wall for a 10" x 10" square hole. The center of the square hole should line up with the centerline of the horizontal pipe. Cut and frame the 10 inch square hole in the exterior wall where the vent will be terminated. If the wall being penetrated is constructed of non-combustible material, i.e. masonry block or concrete, a 7"(178mm) dia. (7-1/2"(191mm) dia. for flex) hole is acceptable.

**Note:** With Dura-Vent, the minimum height is achieved by installing a 90° elbow directly to the rigid pipe adaptor.

Diagram 2



**Note:**

- a) The horizontal run of vent must be level, or have a 1/4 inch rise for every 1 foot of run towards the termination. Never allow the vent to run downward. This could cause high temperatures and may present the possibility of a fire.
- b) The location of the horizontal vent termination on an exterior wall must meet all local and national building codes, and must not be blocked or obstructed. For External Vent Terminal Locations, see diagram on page 20.

**c) Snorkel Terminations:**

For installations requiring a vertical rise on the exterior of the building, 14-inch and 36-inch tall Snorkel Terminations are available, as well as the standard Riser Vent. Follow the same installation procedures as used for standard Horizontal Termination. NEVER install the snorkel upside down.

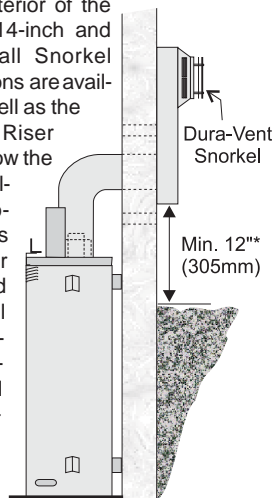
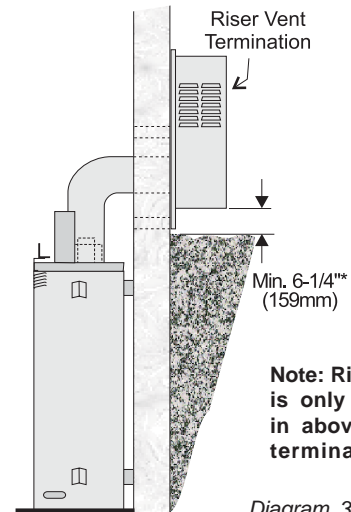


Diagram 3



**Note:** Riser Vent is only for use in above grade terminations.

Diagram 3a

**\*Diagrams 3 & 4:** As specified in CGA B149 Installation Code. Local codes or regulations may require different clearances.

**Below Grade Installation**

If the Snorkel Termination must be installed below grade, i.e. basement application, proper drainage must be provided to prevent water from entering the Snorkel Termination. Refer to Diagram 4. Do not attempt to enclose the Snorkel within the wall, or any other type of enclosure.

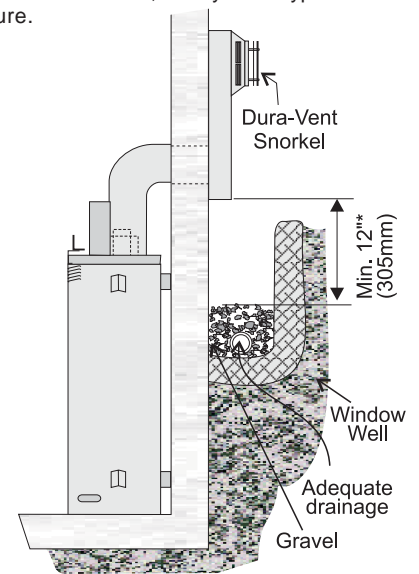


Diagram 4

**NOTE:** For Snorkel terminations in ABOVE grade installations, follow national or local code requirements.

- 6) The arrow on the vent cap should be pointing up. Insure that the 1-1/2" clearances to combustible materials are maintained (Diagram 4). Install the termination cap.

# INSTALLATION

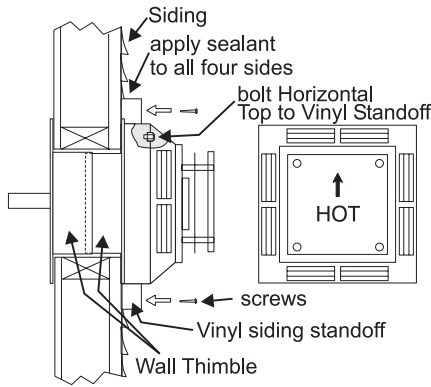


Diagram 5

The four wood screws provided should be replaced with appropriate fasteners for stucco, brick, concrete, or other types of sidings.

**Note:** If installing termination on a siding covered wall, a vinyl siding standoff or furring strips must be used to ensure that the termination is not recessed into the siding.

- 7) Before connecting the horizontal run of vent pipe to the vent termination, slide the Wall Thimble over the vent pipe.
- 8) Slide the appliance and vent assembly towards the wall carefully inserting the vent pipe into the vent cap assembly. It is important that the vent pipe extends into the vent cap sufficient distance so as to result in a minimum pipe overlap of 1-1/4 inches. Secure the connection between the vent pipe and the vent cap by attaching the two sheet metal strips extending from the vent cap assembly into the outer wall of the vent pipe. Use the two sheet metal screws provided to connect the strips to the pipe section. See Diagram 6.

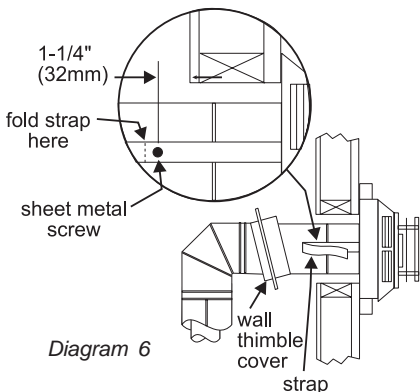


Diagram 6

- 9) Install wall thimble in the center of the 10" square and attach with wood screws (Diagram 7).

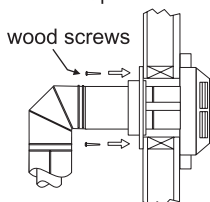


Diagram 7

## VERTICAL TERMINATION

- 1) Maintain the 1-1/4" clearances (air spaces) to combustibles when passing through ceilings, walls, roofs, enclosures, attic rafter, or other nearby combustible surfaces. Do not pack air spaces with insulation. Check for the maximum vertical rise of the venting system and the maximum horizontal offset limitations.
- 2) Set the gas appliance in its desired location. Drop a plumb bob down from the hole in the ceiling to the position of the appliance flue exit, and mark the location where the vent will penetrate the ceiling. Drill a small hole at this point. Next, drop a plumb bob from the roof to the hole previously drilled in the ceiling, and mark the spot where the vent will penetrate the roof. Determine if ceiling joists, roof rafters or other framing will obstruct the venting system. You may wish to relocate the appliance or to offset, as shown in Diagram 2 to avoid cutting load bearing members.

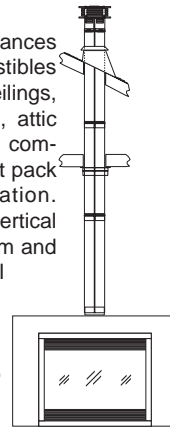


Diagram 1

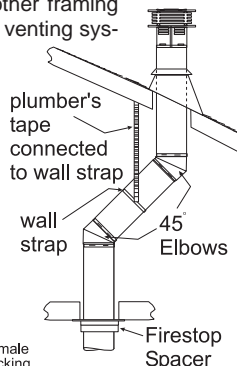
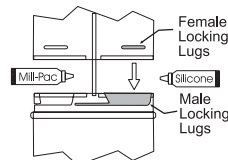


Diagram 2



**Note:** Apply sealant "Mill-Pac" to inner pipe and high temperature silicone sealant to outer pipe on every twist-lock joint.

- 3) A Firestop spacer must be installed in the floor or ceiling of every level. To install the Firestop spacer in a flat ceiling or wall, cut a 10 inch square hole. Frame the hole as shown in Diagram 3 and install the firestop.

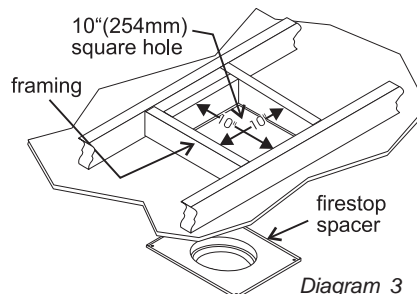


Diagram 3

- 4) Assemble the desired lengths of pipe and elbows. Ensure that all pipes and elbow connections are in the fully twist-locked position and sealed.
- 5) Cut a hole in the roof centered on the small drilled hole placed in the roof in Step 2. The hole should be of sufficient size to meet the minimum requirements for clearance to combustibles of 1-1/2". Slip the flashing under the shingles (shingles should overlap half the flashing) as per Diagram 4.

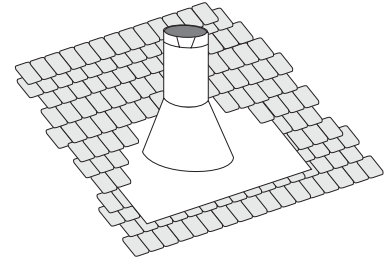


Diagram 4: The upper half of the flashing is installed under the roofing material and not nailed down until the chimney is installed. This allows for small adjustments.

- 6) Continue to assemble pipe lengths.

**Note:** If an offset is necessary in the attic to avoid obstructions, it is important to support the vent pipe every 3 feet, to avoid excessive stress on the elbows, and possible separation. Wall straps are available for this purpose (Diagram 2).

Galvanized pipe is desirable above the roofline due to its higher corrosion resistance. Continue to add pipe sections through the flashing until the height of the vent cap meets the minimum height requirements specified in Diagram 5 or local codes. Note that for steep

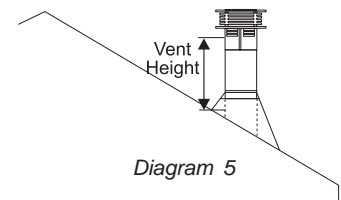


Diagram 5

Roof Pitch	Minimum Vent Height	
	Feet	Meters
flat to 7/12	2	0.61
over 7/12 to 8/12	2	0.61
over 8/12 to 9/12	2	0.61
over 9/12 to 10/12	2.5	0.76
over 10/12 to 11/12	3.25	0.99
over 11/12 to 12/12	4	1.22
over 12/12 to 14/12	5	1.52
over 14/12 to 16/12	6	1.83
over 16/12 to 18/12	7	2.13
over 18/12 to 20/12	7.5	2.29
over 20/12 to 21/12	8	2.44



# INSTALLATION

roof pitches, the vertical height must be increased. A poor draft, or down drafting can result from high wind conditions near big trees or adjoining roof lines, in these cases, increasing the vent height may solve the problem.

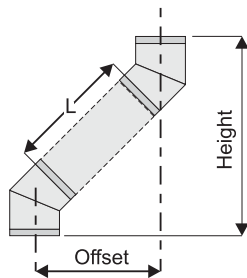
- 7) Ensure vent is vertical and secure the base of the flashing to the roof with roofing nails, slide storm collar over the pipe section and seal with a mastic.

- 8) Install the vertical termination cap by twist-locking it.

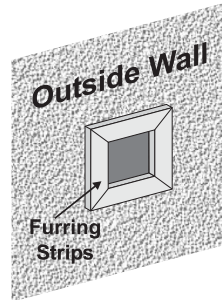
**Note:** Any closets or storage spaces, which the vent passes through must be enclosed.

## Offset Chart

GS 6"(152mm) Nominal Diameter ID					
Offset		Pipe Length (L)		Height	
inches	mm	inches	mm	inches	mm
4 3/4	121	0	0	13 1/4	337
9	229	6	152	17 1/2	445
11 1/4	286	9	229	19 1/2	495
13 1/4	337	12	305	21 3/4	552
21 3/4	552	24	610	30 1/4	768
30 1/4	768	36	914	39	991
38	965	48	1219	47	1194



**Note:** To make the installation more aesthetically pleasing, we recommend framing out a square to mount the terminal to.



**Note:** If installing termination on a siding covered wall, furring strips must be used to ensure that the termination is not recessed into the siding.

- 2) Level the fireplace and fasten it to the framing using nails or screws through the nailing strips.

- 3) Assemble the vent assembly by applying Mill Pac to the 4"(100mm) inner collar of the termination and slipping the 4"(100mm) liner over it at least 1-3/8" (35mm). Fasten with the 3 screws (drilling pilot holes will make this easier). Apply Mill Pac or high temperature silicone to the 6-7/8"(175mm) flex pipe and slip it over the 6-7/8" outer collar of the vent terminal at least 1-3/8"(35mm) and fasten with the 3 screws.

**NOTE:** Horizontal sections must be supported at intervals not exceeding 3 feet (0.9 meter). (Flame picture and performance will be affected by sags in the liner).

- 4) Separate the 2 halves of the wall thimble and securely fasten the one with the tabs to the outside wall making sure that the tabs are on top and bottom. Fasten the other thimble half to the inside wall. The thimble halves slip inside each other and can be adjusted for 2 x 4 or 2 x 6 walls. **The liners must slip over the collars a minimum of 1-3/8".**

- 5) Slip the assembled liner and termination assembly through the thimble making sure the termination cap faces up (there are markings on the cap that show which way is up). This will position the termination cap with proper down slope for draining water. Fasten the cap to the outer wall with the 4 supplied screws.

- 6) Pull the centre 4"(100mm) liner and outer 6-7/8"(175mm) liner out enough to slip over the flue collars of the fireplace. (You may wish to cut the liner shorter to make it more workable.) Do not bend liner more than 90°.

- 7) Apply Mill Pac over the fireplace inner collar and slip the 4"(100mm) liner down over it and attach with 3 supplied screws.

- 8) Do the same with the 6-7/8"(175mm) liner.

- 9) Apply a bead of silicone between the thimble and termination and around the outer edge of the terminal at the wall in order to keep the water out.

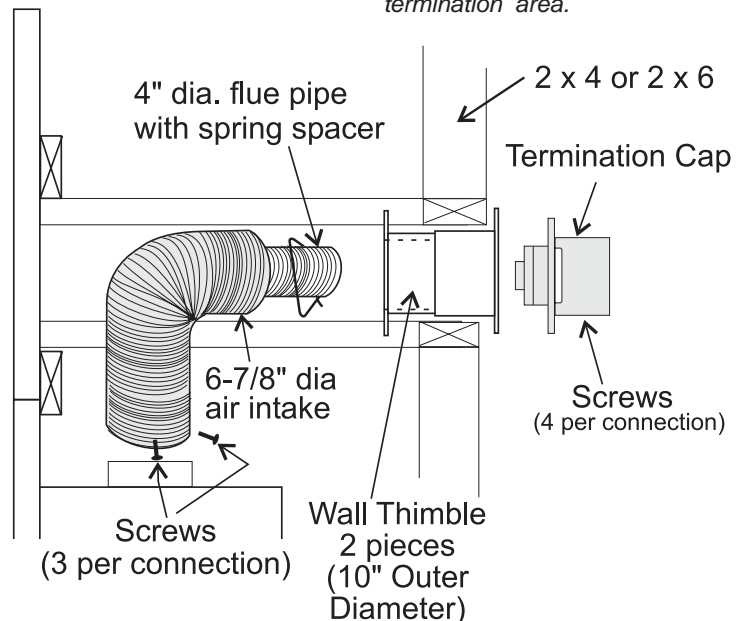
**IMPORTANT:** Do not locate termination hood where excessive snow or ice build-up may occur. Be sure to check vent termination area after snow falls, and clear to prevent accidental blockage of venting system. When using snow blowers, make sure snow is not directed towards vent termination area.

## INSTALLATION PROCEDURES

### for FPI Direct Vent System (Flex)

- 1) Locate the unit in the framing, rough in the gas (preferably on the right side of the unit) and the electrical (Junction block is on the left side) on the left. Locate the centerline of the termination and mark wall accordingly. Cut a 10"(254mm) hole in the wall (inside dimension).

**Note:** A 1-1/2"(38mm) clearance around the liner must be maintained except that only a 1" (25mm) clearance is needed at the termination end. We recommend framing a 10"(254mm) x 10"(254mm) (inside dimensions) hole to give structural rigidity for mounting the termination.



# INSTALLATION

P36D-NG System Data	
For 0 to 4500 feet altitude <b>Burner Inlet Orifice Sizes:</b> #37	
<b>Max. Input Rating</b>	30,000 Btu/h
<b>Min. Input Rating</b>	15,500 Btu/h
<b>Supply Pressure</b>	min.5.0" w.c.
<b>Manifold Pressure (High)</b>	3.8"+/- 0.2"w.c.
<b>Electrical:</b> 120 V A.C. System. <b>Circulation Fan:</b> variable speed 130 CFM. <b>Log Set:</b> Ceramic fibre, 7 per set. <b>Vent System:</b> Simpson Dura-Vent Direct Vent System or FPI Direct Vent System (Flex)	

P36D-LP System Data	
For 0 to 4500 feet altitude <b>Burner Inlet Orifice Sizes:</b> #52	
<b>Max. Input Rating</b>	30,000 Btu/h
<b>Min. Input Rating</b>	15,000 Btu/h
<b>Supply Pressure</b>	min.12.0" w.c.
<b>Manifold Pressure (High)</b>	11"+/- 0.2" w.c.
<b>Electrical:</b> 120 V A.C. System. <b>Circulation Fan:</b> variable speed 130 CFM. <b>Log Set:</b> Ceramic fibre, 7 per set. <b>Vent System:</b> Simpson Dura-Vent Direct Vent System	

## HIGH ELEVATION

This unit is approved in Canada for altitude 0 to 4500 ft. (CAN1 2.17-M91) with the orifice supplied.

## GAS LINE INSTALLATION

The gas line can be brought through either the right or the left side of the appliance. The gas valve is situated on the right hand side of the unit and the gas inlet is on the right hand side of the valve.

**Note:** If the gas line is being installed from the left side, be sure to leave room to accommodate servicing of the fan.

The gas line connection may be made of rigid pipe, copper pipe or an approved flex connector. (If you are using rigid pipe, ensure that the valve can be removed for servicing.) Since some municipalities have additional local codes

it is always best to consult with your local authorities and the CAN/CGA B149 installation code.

For USA installations follow local codes and/or the current National Fuel Gas Code, ANSI Z223.1.

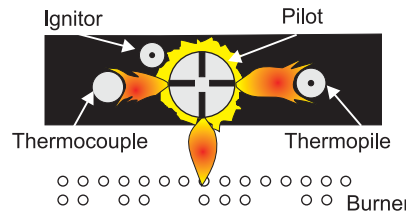
When using copper or flex connectors use only approved fittings. Always provide a union so that gas lines can be easily disconnected for servicing. Flare nuts for copper lines and flex connectors are usually considered to meet this requirement.

**Important:** Always check for gas leaks with a soap and water solution or gas leak detector. Do not use open flame for leak testing.

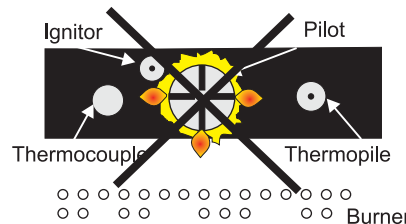
## PILOT ADJUSTMENT

Periodically check the pilot flames. Correct flame pattern has three strong blue flames: 1 flowing around the thermopile, 1 around the thermocouple and 1 flowing across the burner (it does not have to be touching the burner).

**Note:** If you have an incorrect flame pattern, contact your FPI dealer for further instructions.



**Incorrect flame pattern will have small, probably yellow flames, not coming into proper contact with the rear burner or thermopile or thermocouple.**



## GAS PIPE PRESSURE TESTING

The appliance must be isolated from the gas supply piping system by closing its individual manual shut-off valve during any pressure testing of the gas supply piping system at test pressures equal to or less than 1/2 psig. (3.45 kPa). Disconnect piping from valve at pressures over 1/2 psig.

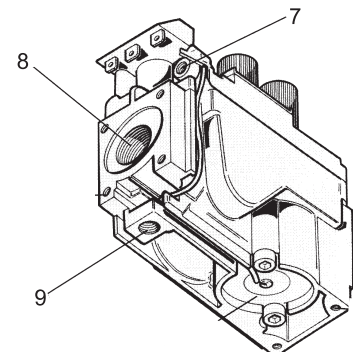
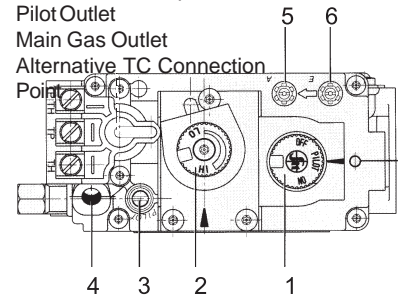
The manifold pressure is controlled by a regulator built into the gas control, and should be checked at the pressure test point.

**Note:** To properly check gas pressure, both inlet and manifold pressures should be checked using the valve pressure ports on the valve.

- 1) Make sure the valve is in the "OFF" position.
- 2) Loosen the "IN" and/or "OUT" pressure tap(s), turning counterclockwise with a 1/8" wide flat screwdriver.
- 3) Attach manometer to "IN" and/or "OUT" pressure tap(s) using a 5/16" ID hose.
- 4) Light the pilot and turn the valve to "ON" position.
- 5) The pressure check should be carried out with the unit burning and the setting should be within the limits specified on the safety label.
- 6) When finished reading manometer, turn off the gas valve, disconnect the hose and tighten the screw (clockwise) with a 1/8" flat screwdriver. **Note: Screw should be snug, but do not over tighten.**

## S.I.T. VALVE DESCRIPTION

- 1) Gas cock knob
- 2) Manual high/low adjustment
- 3) Pilot Adjustment
- 4) Thermocouple Connection - option
- 5) Outlet Pressure Tap
- 6) Inlet Pressure Tap
- 7) Pilot Outlet
- 8) Main Gas Outlet
- 9) Alternative TC Connection



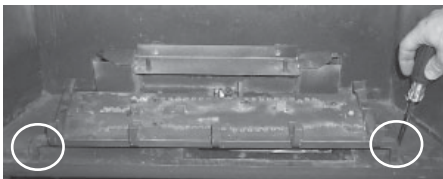
## CONVERSION KIT FROM NATURAL GAS TO PROPANE MODEL #512-969 FOR P36D USING SIT 820 NOVA GAS VALVE

**THIS CONVERSION MUST BE DONE BY A QUALIFIED GAS FITTER IF IN DOUBT DO NOT DO THIS CONVERSION !!**

Conversion Kit Contains:

Qty.	Part #	Description
1	910-018	SIT Conversion Kit-50% Turndown LP
1	910-037	LP Injector (Pilot Orifice)
1	904-390	Burner Orifice #52
1	908-255	Decal "Converted to Propane"
1	908-528	Red "PROPANE" label
1	918-013	LP Conversion Decal (not required for P90)
1	908-529	5/32" Allen Key
1	908-793	Instruction Sheet

- 1) Shut off the gas supply.
- 2) Remove the louvers (and bay door if it is installed).
- 3) Open the flush door and remove the door.
- 4) Remove the logs, embers, and brick panels (if used).
- 5) Remove the 2 screws holding the Burner Assembly to the firebox base. Push the Burner Assembly to the left and lift out.



Remove the 2 screws, push Burner Assembly to the left and lift out.

- 6) Pull off the pilot cap to expose the pilot orifice.



- 7) Unscrew the pilot orifice with the allen key and replace with the LP pilot orifice in the kit and replace pilot cap.



- 8) Remove burner orifice with a 1/2" wrench and discard. Use another wrench to hold on to the elbow behind the orifice.



Burner Orifice

- 9) Reinstall new burner orifice LP stamped #52 and tighten.
- 10) Remove and discard the 3 pressure regulator mounting screws (A), pressure regulator tower (B) and diaphragm (C).
- 11) Insure that the rubber gasket (D) is properly positioned and install the new HI/LO pressure regulator assembly to the valve using the new screws (E) supplied with the kit. Tighten screws securely.

- 12) Reverse steps 5) to 2).

- 13) Attach clear label "This unit has been converted to Propane" near or on the serial # decal. Attach white label "This valve has been converted from NG to LPG using SIT conversion Kit Code 0.907.202" onto the valve.

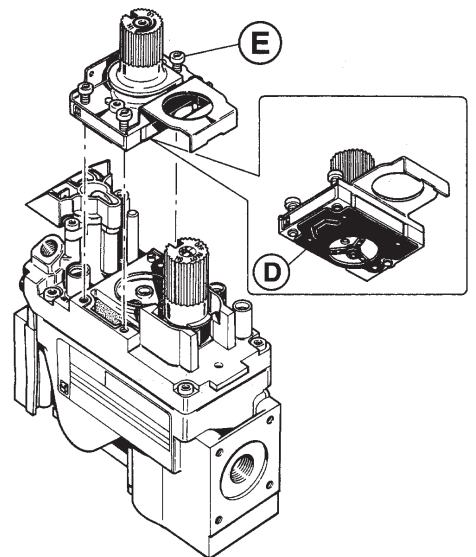
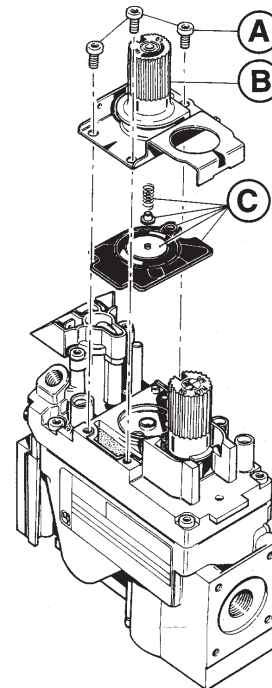
- 14) Replace yellow "Natural Gas" label with red "Propane" label

- 15) Check for gas leaks.

- 16) Check inlet and outlet pressures.

- 17) Check operation of flame control.

- 18) Check for proper flame appearance and glow on logs.





# INSTALLATION

## OPTIONAL BRICK PANELS

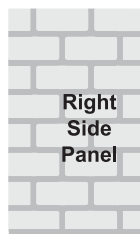
- 1) Undo the bottom 2 door latches and open and remove glass door. Remove logs.

**Note:** The logs must not be in the unit.

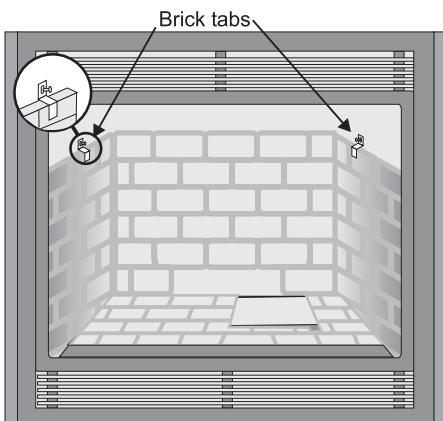
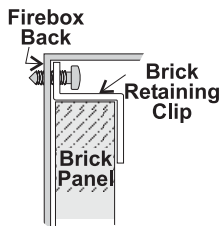
- 2) Insert the back brick panel first by carefully slipping it between the back wall of the firebox and the rear log bracket.



- 3) Put the side panels in next. Slide them in from the front and push them flat up against the wall. Be very careful not to scratch them on the firebox hardware.



- 4) Install the 2 brick retaining clips, one on each side.



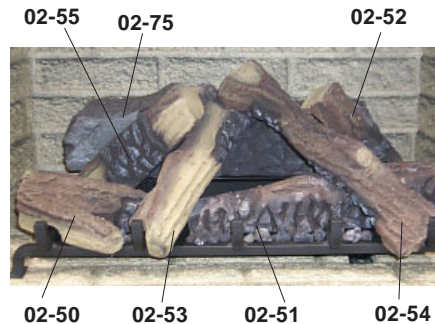
**Note:** If the bottom brick panel must be removed: Remove the Rear Log Stand, then remove the Burner Tray.

## LOG SET INSTALLATION

Read the instructions below carefully and refer to the diagrams. If logs are broken do not use the unit until they are replaced. Broken logs can interfere with the pilot operation.

The gas log kit (Part # 780-930) contains the following pieces:

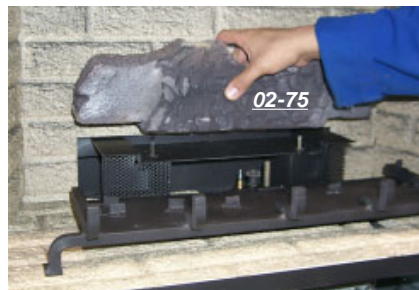
- a) 02-75 Rear Log
- b) 02-55 Middle Left Log
- c) 02-50 Front Left Log
- d) 02-53 Center Left Log
- e) 02-51 Front Bottom Log
- f) 02-54 Center Right Log
- g) 02-52 Middle Right Log
- h) Embers



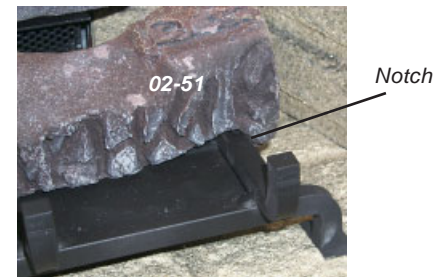
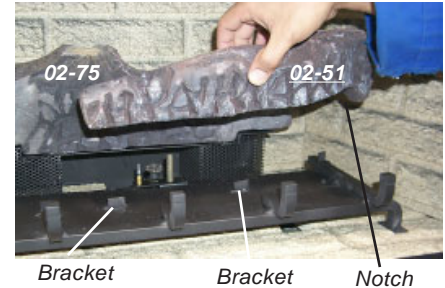
The "02" refer numbers (i.e. 02-75) are molded into the rear of each log.

**NOTE:** If you will be installing the optional Brick Panels, install the Brick Panels prior to installing the logs.

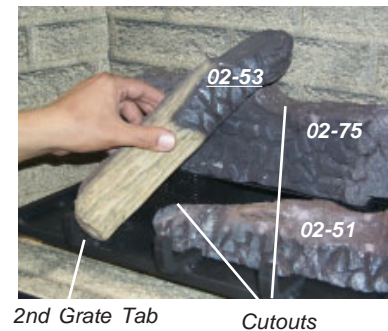
- 1) Carefully remove the logs from the box and unwrap them. The logs are fragile, handle with care - **do not force into position.**
- 2) Sprinkle the vermiculite all over the top of the base brick panel.
- 3) Place the Log 02-75 on the rear log support pins with the flat side to the back.



- 4) Place Log 02-51 on the front right side of the burner. Push the back of the log against the 2 brackets with the notch on the bottom right side of the log fitting into the right side of the grate.

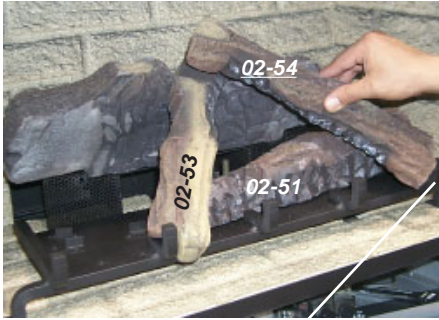


- 5) Position Log 02-53 across the cutouts in Logs 02-75 and 02-51 with the notch on the left side of the log fitting into the 2nd grate tab.



- 6) Position Log 02-54 across the cutouts in Logs 02-51 and 02-53. The notch in the bottom right end fitting against the 5th grate tab.

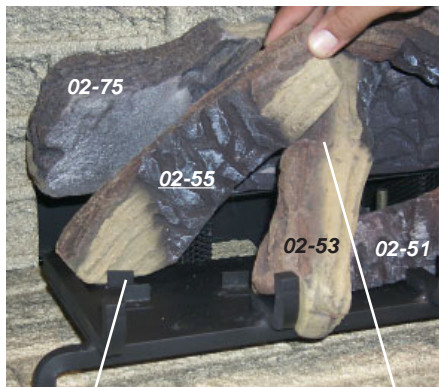
# INSTALLATION



5th Grate Tab



- 7) Place the bottom left front edge of Log 02-55 against the rear bracket on the burner tray and rest the log on the cutout on Log 02-53.



Rear Bracket

Cutouts

- 8) Place Log 02-52 between Logs 02-51 and 02-75 and on the indentation on Log 02-54. The bottom right end sits behind the rear grate tab.



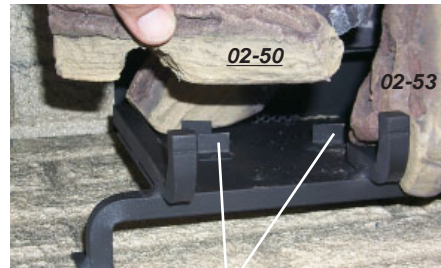
Log indentation



Rear Grate Tab

Photo shows rear grate tab. Log 02-51 was removed to show the positioning of Log 02-52.

- 9) Sit Log 02-50 on the front left side of the burner. Push the back of the log against the 2 front brackets with the notch on the bottom of the log fitting into the first grate tab.



Front Brackets



Notch

- 10) Place the embers on the front of the burner tray in the places shown on the photos below.



Place embers in these 3 locations on the burner tray.



Do not block the burner holes in this area adjacent to the Log 02-54

- 11) Test fire to ensure proper light off (make sure flame flows smoothly from one end of burner to the other). If there is any flame hesitation, check that area for any blockage of the burner ports.

- 12) Install flush glass and bay glass (if used) as per instructions in this manual.

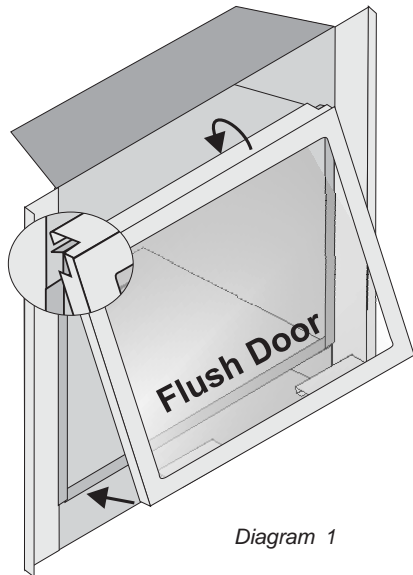




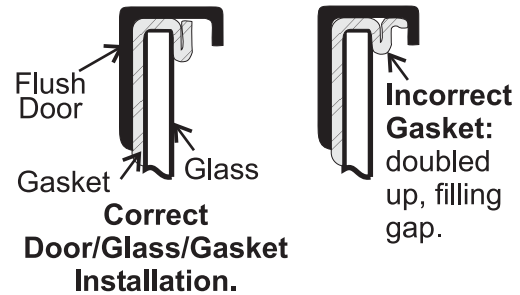
# INSTALLATION

## STANDARD FLUSH DOOR

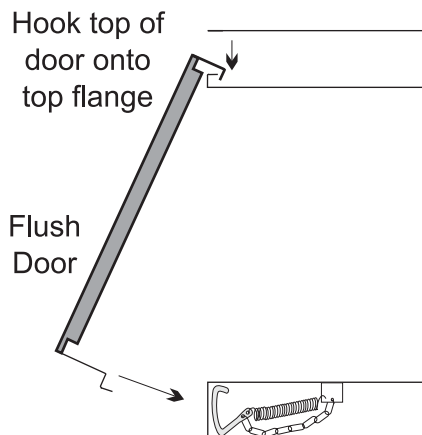
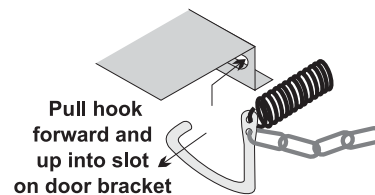
The **standard flush door** comes with a black frame. To install the frame, simply hook the top door flange onto the top of the unit and swing the door towards the unit, see diagram 1.



Be careful that the glass gasket does not roll up; there must be a gap between the gasket and the door lip to ensure that the door sits securely on the unit, see Diagram 2.



Use the hook to pull the spring out until you can put the hook into the slot on the bottom door bracket. Repeat for 2nd spring. See diagram 3.



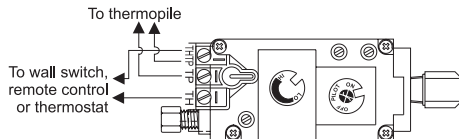
To remove the flush door, reverse the above steps.

## Option 1: REMOTE CONTROL

Use the FPI Remote Control Kit approved for this unit. Use of other systems may void your warranty.

The remote control kit comes with a hand held transmitter, a receiver and a wall mounting plate.

- 1) Choose a convenient location on the wall to install the receiver and the receptacle box (protection from extreme heat is very important). Run wires from the fireplace to that location. Use the Thermostat Wire Table.
- 2) Connect the two wires to the gas valve. See diagram below.



**CAUTION**  
Do not connect millivolt remote control wires to a 120V wire.

- 3) Install 3 AAA alkaline batteries in transmitter and 4 AA alkaline batteries in the receiver. Install the receiver and its cover in the wall. Switch the remote receiver to "remote" mode. The remote control is now ready for operation.

## Option 2: WALL SWITCH

- 1) Run the wire through the right or left side inlet opening. Be careful not to damage wire.

**Note: We recommend a maximum of 15' of wire but if you wish to go with a longer run, use the Thermostat Wire Table.**

- 2) Connect the wire to the wall switch and install into the receptacle box.

**CAUTION**  
Do not connect millivolt wall switch wire to a 120V wire.

## Option 3: WALL THERMOSTAT

A wall thermostat may be installed if desired, connect the wires as per the wiring diagram. Use the table below to determine the maximum wire length.

**Note: Preferable if the thermostat is installed on an interior wall.**

FPI offers an optional programmable thermostat but any 250-750 millivolt rated non-anticipator type thermostat that is CSA, ULC or UL approved may be used.

**CAUTION**  
Do not connect millivolt wall thermostat wires to a 120V wire.

**Thermostat Wire Table**

Recommended Maximum Lead Length (Two-Wire) When Using Wall Thermostat (CP-2 System)	
Wire Size	Max. Length
14 GA.	50 Ft.
16 GA.	32 Ft.
18 GA.	20 Ft.
20 GA.	12 Ft.
22 GA.	9 Ft.

# INSTALLATION

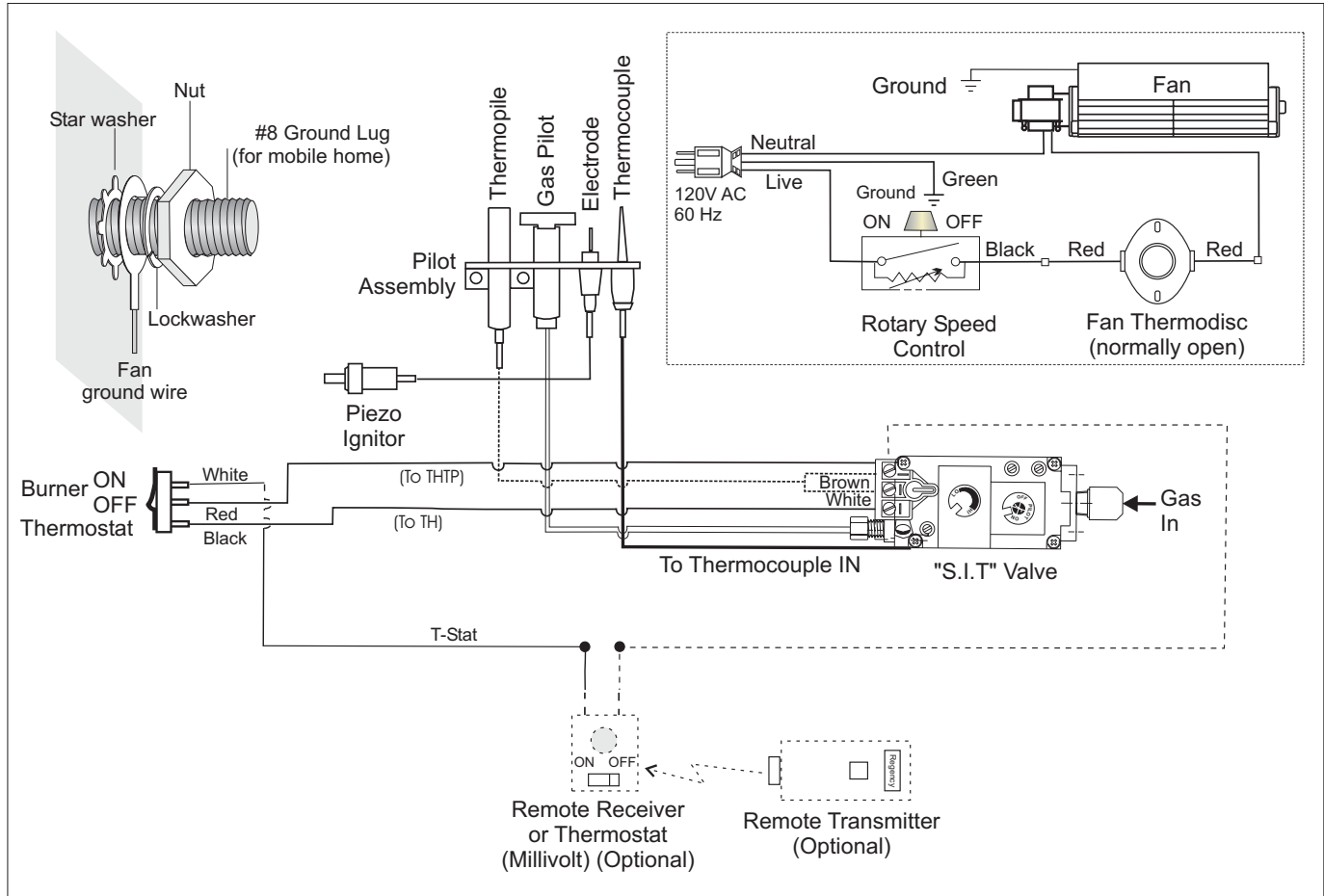
## WIRING DIAGRAM

This heater does not require a 120V A.C. supply for operation. In case of a power failure, the burner switch and the optional remote control/thermostat will continue to operate.

However, a 120V A.C. power supply is needed for the fan/blower operation.

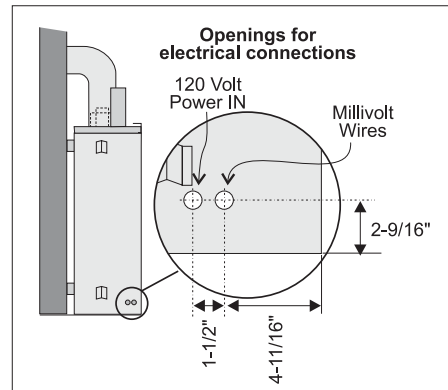
**NOTE:** Even if the fan is not purchased with the unit, it is still a good idea to bring power to the receptacle box (provided with the unit) in case the fan is installed at a later date.

**(Do not cut the ground terminal off under any circumstances.)**



**Caution:** Ensure that the wires do not touch any hot surfaces and are away from sharp edges.

**CAUTION:** Label all wires prior to disconnection when servicing controls. Wiring errors can cause improper and dangerous operation.



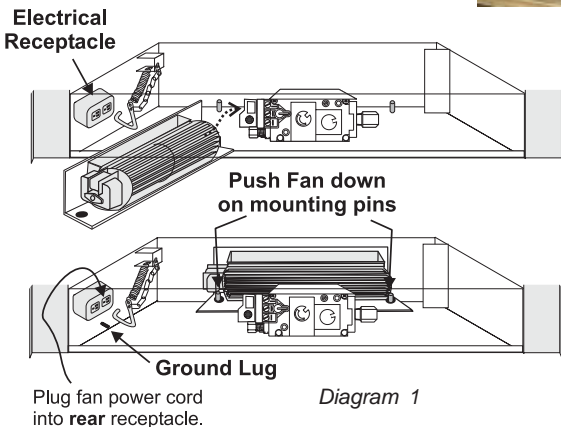


## INSTALLING THE OPTIONAL FAN

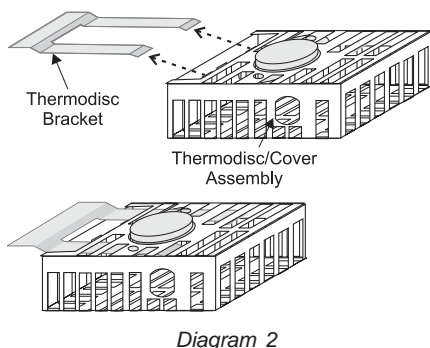
120 Volt AC power is needed for the fan switch and blower. The fan can be hard wired if desired. The receptacle box should be installed on the left hand side of the unit by a qualified electrician. The neutral (wider) slot of the polarized receptacle should be at the top.

**Unit must be grounded at all times. Do not cut the ground terminal off under any circumstances.**

- 1) Shut the power off.
- 2) Remove the standard flush door and the optional bay door, if installed. Open the bottom louver door.
- 3) Loosen the 2 screws holding the Burner ON/OFF switch and bracket to the bottom louver and lift the assembly out.
- 4) Turn the fan base on its side (with the base facing towards you) and then slide the fan in towards the rear of the unit. Turn the fan upright and slip it over the two mounting studs. Take care not to damage the insulation on the fan base. **Ensure that the fan blades do not rub against the valve tubing.** Diagram 1.



- 5) Connect fan ground cable to ground lug. Refer to wiring diagram.
- 6) Slide the thermodisc/cover assembly into the bracket clip on the underside of the



firebox. Check that no wire will touch the hot surfaces. Diagram 2.

- 7) Attach the Fan control box to the Burner ON/OFF control box.



*Use the clip & hook on the side of the control boxes to join them together.*

- 8) Secure the two boxes together with one screw.



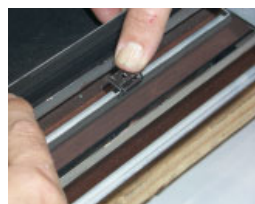
*Secure the 2 boxes together with one screw.*

- 9) Position the control box assembly on the bottom louver and mark the position of the slot on the right side bracket.



*Hold control box assembly in place and mark the position of the right side slot*

- 10) Remove the control box assembly and push the hold-down clip onto the louver. Bend the tab until it is at 90° to the louver.



- 11) Attach the two control boxes to the bottom louver and tighten the 2 screws on the left side and 1 screw on the right side.



*Secure left side with 2 screws.*



*Secure right side with one screw.*

- 12) Secure the fan wires and power cord by attaching one of the adhesive backed wire holder clips (Part #910-199) onto the stove base. Use the second clip to bundle up the wires approximately 4" from the control box. Ensure that there is no interference with the wires when the louver is closed and that no wire will touch the hot metal surfaces or sharp edges.

- 13) Plug the fan power cord into the rear end of the receptacle box to provide the maximum clearance from the louvers.

## TO REMOVE THE FAN

- 1) Shut the power off.
- 2) Reverse the above instructions.

**Note: The bearings are lubricated for life. Do not lubricate them. Make sure you vacuum the fan area on a regular basis.**

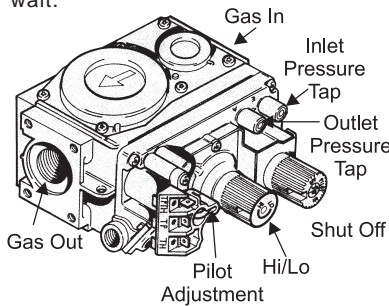
### IMPORTANT:

These fans collect a lot of dust from within your home. Ensure you maintain these fan motors on a regular basis by vacuuming out the fan blades and housing using a soft brush nozzle.

# OPERATING INSTRUCTIONS

## OPERATING INSTRUCTIONS

- 1) Read and understand these instructions before operating this appliance.
- 2) Check to see that all wiring is correct and enclosed to prevent possible shock.
- 3) Check to ensure there are no gas leaks.
- 4) Make sure the glass in the door frame is properly positioned. Never operate the appliance with the glass removed.
- 5) Verify that the venting and cap are unobstructed.
- 6) Ensure that the brick panels are installed.
- 7) Verify log placement. If the pilot cannot be seen when lighting the unit, the logs have been incorrectly positioned.
- 8) The unit should never be turned off, and on again without a minimum of a 60 second wait.



## LIGHTING PROCEDURE

**IMPORTANT**  
To ignite or reignite the pilot, you must first release the tension springs below the door.

Only when the pilot holds, without pressure being applied to the control knob, reapply the tension springs to the door. The unit **must not** be operated with the tension springs unattached.

**IMPORTANT** Gas cock knob cannot be turned from "PILOT" to "OFF" unless it is partially depressed.

- 1) Turn burner OFF using "ON/OFF" switch.
- 2) Turn gas control knob so indicator points to "OFF" position and allow 5 minutes for any gas in the combustion chamber to escape.

- 3) Turn gas control knob counterclockwise so indicator points to the "PILOT" position. Depress the gas control knob fully. Depress the igniter button several times until the pilot lights. After approximately one minute, release the gas control knob. The pilot flame should continue to burn. If the pilot does not remain lit, repeat operation allowing a longer period before releasing gas control knob.
- 4) When the pilot stays lit, turn the gas knob further counterclockwise to the "ON" position.
- 5) Use the wall switch, thermostat or remote control to turn on the unit.
- 6) Rotate the flame height regulator to adjust the flame height higher or lower.

## SHUTDOWN PROCEDURE

- 1) Use the wall switch, thermostat or remote control to turn off the main burner.
- 2) Turn the main gas control clockwise to the "OFF" position to turn off the pilot.
- 3) Turn off all electric power to appliance if service is to be performed.

## FIRST FIRE

The first fire in your stove is part of the paint curing process. To ensure that the paint is properly cured, it is recommended that you burn your fireplace for at least four (4) hours the first time before you use it with the fan on.

When first operated, the unit will release an odour caused by the curing of the paint, the burning off of any oils remaining from manufacturing. Smoke detectors in the house may go off at this time. Open a few windows to ventilate the room for a couple of hours.

The glass panel may require cleaning after the unit has cooled down. **DO NOT ATTEMPT TO CLEAN THE GLASS WHILE IT IS HOT.**

**Note:** When the glass is cold and the appliance is lit, it may cause condensation and fog the glass. This condensation is normal and will disappear in a few minutes as the glass heats up.

**DO NOT BURN THE APPLIANCE WITHOUT THE GLASS FRONT IN PLACE.**

During the first few fires, a white film may develop on the glass front as part of the curing process. The glass should be cleaned or the film will bake on and become very difficult to remove. Use a non-abrasive cleaner and NEVER clean the glass while it is hot.

## AERATION ADJUSTMENT

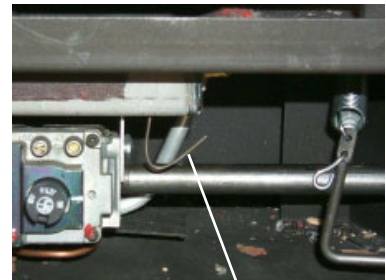
The air shutter can be adjusted by moving the adjusting wire up or down. The wire is accessed through the bottom louver opening. Open the air shutter for a blue flame or close for a yellow flame. The burner aeration is factory set but may need adjusting due to either the local gas supply or altitude.

**Minimum Air Shutter Opening:**  
3/16" Natural Gas  
1/4" Propane

**CAUTION:** Carbon will be produced if air shutter is closed too much.

**Note:** Any damage due to carboning resulting from improperly setting the aeration controls is NOT covered under warranty.

**Note:** Aeration Adjustment should only be performed by an authorized FPI Installer at the time of installation



Adjustment Wire: Push to close or pull to open aeration cap.

**Closed - Tall yellow**  
**Open - Short Blue**  
or service.

## NORMAL OPERATING SOUNDS OF GAS APPLIANCES

It is possible that you will hear some sounds from your gas appliance. This is perfectly normal due to the fact that there are various gauges and types of steel used within your appliance. Listed below are some examples.

# OPERATING INSTRUCTIONS

## COPY OF THE LIGHTING PLATE INSTRUCTIONS

All are **normal operating sounds** and should not be considered as defects in your appliance.



### FOR YOUR SAFETY READ BEFORE LIGHTING

This appliance must be installed in accordance with local codes, if any; if none, follow the National Fuel Gas Code, ANSI Z223.1/NFPA 54, or Natural Gas and Propane Installation Codes, CSA B149.1. (Australia: AG601, New Zealand: NZS 5261)

**WARNING:** If you do not follow these instructions exactly, a fire or explosion may result causing property damage, personal injury or loss of life. Improper installation, adjustment, alteration, service or maintenance can cause injury or property damage. Refer to the owner's information manual provided with this appliance. For assistance or additional information consult a qualified installer, service agency or gas supplier.

A) This appliance has a pilot which must be lighted by hand. When lighting the pilot, follow these instructions exactly.

B) **BEFORE LIGHTING** smell all around the appliance area for gas. Be sure to smell next to the floor because some gas is heavier than air and will settle on the floor.

#### WHAT TO DO IF YOU SMELL GAS

- Do not try to light any appliance.
- Do not touch any electric switch, do not use any phone in your building.
- Immediately call your gas supplier from a neighbour's phone. Follow the gas supplier's instructions.
- If you cannot reach your gas supplier, call the fire department.

C) Use only your hand to push in or turn the gas control knob. Never use tools. If the knob will not push in or turn by hand, don't try to repair it, call a qualified service technician. Force or attempted repair may result in a fire or explosion.



D) Do not use this appliance if any part has been under water. Immediately call a qualified service technician to inspect the appliance and to replace any part of the control system and any gas control which has been under water.

E) This appliance needs fresh air for safe operation and must be installed so there are provisions for adequate combustion and ventilation air.

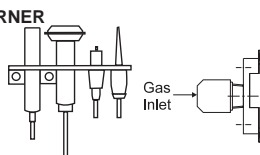
**CAUTION:** Hot while in operation. Do not touch. Severe Burns may result. Due to high surface temperatures keep children, clothing and furniture, gasoline and other liquids having flammable vapors away. Keep burner and control compartment clean. See installation and operating instructions accompanying appliance.

### LIGHTING INSTRUCTIONS


**STOP!** Read the safety information above on this label.

- 1) Push in gas control knob slightly and turn clockwise  to "OFF". Knob cannot be turned from "PILOT" to "OFF" unless knob is pushed in slightly. Do not force.
- 2) Wait five (5) minutes to clear out any gas. If you then smell gas **STOP!** Follow step "B" in the Safety Information above on this label. If you don't smell gas, go to the next step.
- 3) Turn knob on gas control counterclockwise  to "PILOT".

PILOT BURNER  
VEILLEUSE  
THERMOPILE  
ELEMENT  
THERMO-  
ELECTRIQUE

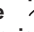


4) Push in control knob all the way and hold in. Continually push and release the black button on spark igniter until pilot lights. Continue to hold the control knob in for about 1/2 minute after the pilot is lit. Release knob and it will pop back up. Pilot should remain lit. If it goes out, repeat steps 1) to 4). If knob does not pop up when released, stop and immediately call your service technician or gas supplier. If the pilot will not stay lit after several tries, turn the gas control knob to "OFF" and call your service technician or gas supplier.

- 5) Turn gas control knob counterclockwise  to "ON".
- 6) Use rocker switch to operate main burner.

### TO TURN OFF GAS APPLIANCE

You may shut off the pilot during prolonged non use periods to conserve fuel.

- 1) Push in the gas control knob slightly and turn clockwise  to "OFF". Do not force.
- 2) Turn off all electric power to the appliance if service is to be performed.

**DO NOT REMOVE THIS INSTRUCTION PLATE** 908-017b

#### Blower:

FPI gas appliances use high tech blowers to push heated air farther into the room. It is not unusual for the fan to make a "whirring" sound when ON. This sound will increase or decrease in volume depending on the speed setting of your fan speed control.

#### Burner Tray:

The burner tray is positioned directly under the burner tube(s) and logs and is made of a different gauge material from the rest of the firebox and body. Therefore, the varying thicknesses of steel will expand and contract at slightly different rates which can cause "ticking" and "cracking" sounds. You should also be aware that as there are temperature changes within the unit these sounds will likely re-occur. Again, this is normal for steel fireboxes.

#### Blower Thermodisc:

When this thermally activated switch turns ON it will create a small "clicking" sound. This is the switch contacts closing and is normal.

#### Pilot Flame:

While the pilot flame is on it can make a very slight "whisper" sound.

#### Gas Control Valve:

As the gas control valve turns ON and OFF, a dull clicking sound may be audible, this is normal operation of a gas regulator or valve.

#### Unit Body/Firebox:

Different types and thicknesses of steel will expand and contract at different rates resulting in some "cracking" and "ticking" sounds will be heard throughout the cycling process.

## MAINTENANCE INSTRUCTIONS

- 1) Always turn off the gas valve before cleaning. For relighting, refer to lighting instructions. Keep the burner and control compartment clean by brushing and vacuuming at least once a year. When cleaning the logs, use a soft clean paint brush as the logs are fragile and easily damaged.
- 2) Clean appliance and door with a damp cloth (never when unit is hot). Never use an abrasive cleaner. The glass should be cleaned with a gas fireplace glass cleaner. **The glass should be cleaned when it starts looking cloudy.**
- 3) The heater is finished in a heat resistant paint and should only be refinished with heat resistant paint. FPI uses StoveBright Paint - Metallic Black #6309.



# MAINTENANCE

4) Make a periodic check of burner for proper position and condition. Visually check the flame of the burner periodically, making sure the flames are steady; not lifting or floating. If there is a problem, call a qualified service person.

5) The appliance and venting system must be inspected before use, and at least annually, by a qualified field service person, to ensure that the flow of combustion and ventilation air is not obstructed.

**Note: Never operate the appliance without the glass properly secured in place.**

6) Do not use this appliance if any part has been under water. Immediately call a qualified service technician to inspect the appliance and to replace any part of the control system and any gas control which has been under water.

7) Verify operation after servicing.

## General Vent Maintenance

Conduct an inspection of the venting system semi-annually. Recommended areas to inspect as follows:

1) Check the Venting System for corrosion in areas that are exposed to the elements. These will appear as rust spots or streaks, and in extreme cases, holes. These components should be replaced immediately.

2) Remove the Cap, and shine a flashlight down the Vent. Remove any bird nests, or other foreign material.

3) Check for evidences of excessive condensation, such as water droplets forming in the inner liner, and subsequently dripping out the joints. Continuous condensation can cause corrosion of caps, pipe, and fittings. It may be caused by having excessive lateral runs, too many elbows, and exterior portions of the system being exposed to cold weather.

4) Inspect joints, to verify that no pipe sections or fittings have been disturbed, and consequently loosened. Also check mechanical supports such as Wall Straps, or plumbers' tape for rigidity.

## GOLD-PLATED or BRASS LOUVERS

The 24 carat gold-plated or brass finish on the louvers and trim requires little maintenance, and need only be cleaned with a damp cloth. DO NOT use abrasive materials or chemical cleaners, as they may harm the finish and void the

warranty. **Clean any fingerprints off before turning the unit on.**

## GOLD-PLATED or BRASS TRIM

The 24 carat gold plated or brass finish on the trim requires little maintenance, and need only be cleaned with a damp cloth. DO NOT use abrasive materials or chemical cleaners, as they may harm the finish and void the warranty. **Clean any fingerprints off before turning the unit on. If the top louvers start to discolour, check the door gasket seal and replace if necessary.**

## LOG REPLACEMENT

The unit should never be used with broken logs. Turn off the gas valve and allow the unit to cool before opening door and carefully remove the logs. (The pilot light generates enough heat to burn someone.) If for any reason a log should need replacement, you must use the proper replacement log. The position of these logs must be as shown in the diagrams under Log Installation.

**Note: Improper positioning of logs may create carbon build-up and will severely alter the unit's performance which is not covered under warranty.**

## THERMOPILE/ THERMOCOUPLE

- 1) Open the bottom louvers.
- 2) Loosen the thermocouple or thermopile with a 7/16" wrench.
- 3) Disconnect thermocouple by loosening nut from the valve with a 9mm wrench. Disconnect thermopile by loosening 2 screws marked TP on the valve.
- 4) Drop the thermocouple or thermopile down from the bracket and pull it out of the unit.
- 5) Reinstall the new ones in reverse order.

## GLASS GASKET

If the glass gasket requires replacement use 5/8" flat glass gasket for the Bay Front (Part # 936-243) and a tadpole glass gasket for the Flush Front (Part # 936-155).

## DOOR GLASS

Your FPI fireplace is supplied with high temperature, 5 mm Neoceram ceramic glass that will withstand the highest heat that your unit will produce. If your glass requires cleaning, we recommend using an approved glass cleaner available at all authorized dealers. Do not use abrasive materials. Do not clean the glass when hot.

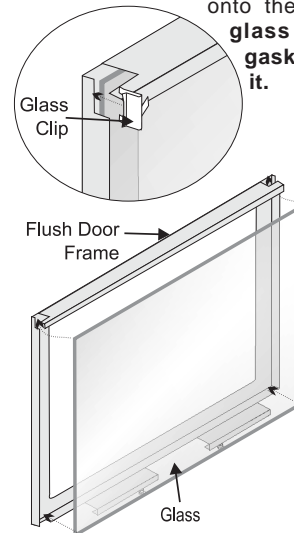
In the event that you break your glass by impact, purchase your replacement from an authorized FPI dealer only, and follow our step-by-step instructions for replacement.

**WARNING: Do not operate the appliance with the glass panels removed, cracked or broken. Replacement of the glass panels should be done by a licensed or qualified service person.**

**Caution: Wear gloves when removing damaged or broken glass.**

## Flush Glass Replacement

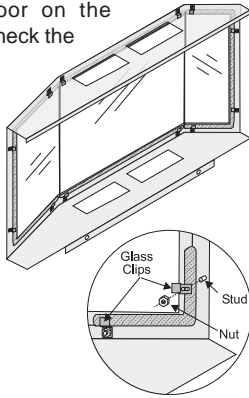
Remove the flush door front. Remove the 4 glass clips from each corner. Slide in the new replacement glass. Push the 4 glass clips back onto the frame. **The glass must have gasketing around it.**



## Bay Glass Replacement

- 1) Remove the door from the unit and place on a soft surface to prevent scratching.
- 2) Remove the nuts holding the glass clips in place and remove.
- 3) Replace the glass. **The glass must have gasketing around it.**
- 5) Reverse the previous steps, replace the glass clips and fasten with the nuts but do not over tighten, as this can break the glass.

- 6) Replace door on the stove and check the seal.



## REMOVING VALVE

- 1) Shut off the gas supply.
- 2) Remove the louvers (and bay door if it is on).
- 3) Open the flush door and remove the door.
- 4) Remove the logs.
- 5) Remove the burner/grate assembly by removing the two Phillips head screws and then lift the burner assembly out.

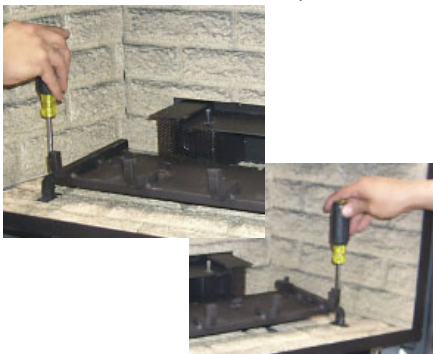
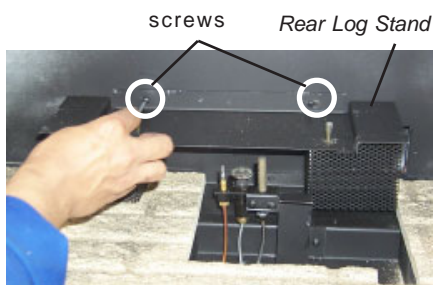


Diagram 1: Remove the left and right screws and then lift out the burner/grate assembly.

- 6) Remove the rear log stand by removing the 2 screws.



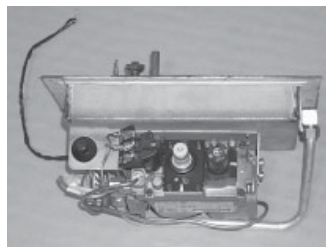
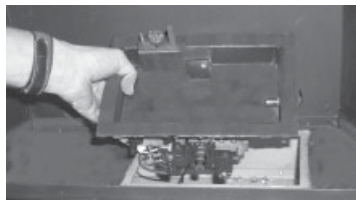
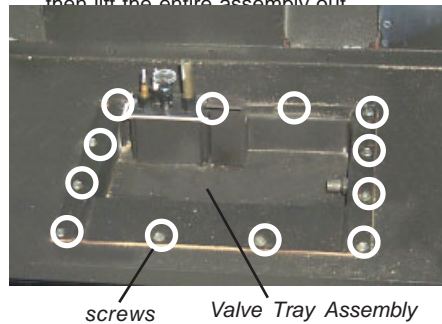
- 7) Lift out the bottom brick panel.



- 8) Disconnect the inlet gas line. See diagram 2.

- 9) Disconnect the 2 TP wires and the 2 TH wires from the valve.

- 10) Remove the 10 Phillips head screws securing the valve tray assembly in place and then lift the entire assembly out.



- 11) Undo the pilot tube from the valve with a 7/16" wrench.

- 12) Undo the quick drop out thermocouple nut on the valve with a 9mm (metric) wrench.

- 13) Remove the Piezo igniter wire and push button assembly.

- 14) Undo the "gas out" flare nut with a 13/16" wrench.

- 15) Undo the "gas out" flare fitting with an 11/16" wrench.

- 16) Remove the 4 Phillips head screws from the sides of the valve bracket and remove valve.

**Hint:** If you are using black pipe, ensure that there is a union by the valve, otherwise removal will be almost impossible.

## INSTALLING VALVE

- 1) Attach the valve to the valve bracket with the 4 (m5x8 metric) screws provided.

- 2) Reconnect the "gas out" flare fitting with an 11/16" wrench.

- 3) Reconnect the "gas out" flare nut with a 13/16" wrench.

- 4) Install piezo ignitor push button assembly and reconnect wire.

- 5) Reconnect the quick drop out thermocouple nut with a 9mm wrench.

- 6) Reconnect the pilot tube nut with a 7/16" wrench.

- 7) Scrape off the old gasket from the floor of the firebox and from the valve tray assembly.

- 8) Install a new gasket and reinstall the valve tray assembly.

**Note:** Failure to install a new gasket may severely affect the appliance performance.

- 9) Reinstall the 10 hold down screws.

- 10) Hook up the 2 TP and 2 TH wires to the appropriate connections on the valve.

- 11) Reinstall the bottom brick panel and the front log stand.

- 12) Install Burner/grate assembly

- 13) Hook up the gas line and check for gas leaks with a soap and water solution or a gas leak detector. (Do not use open flame for leak testing.)

- 14) Fire up the unit temporarily

- 15) Check the manifold pressure.

- 16) Reinstall the logs and brick panels as needed.

- 17) Close the door and replace the louvers.

- 18) Fire up the unit again and check for proper flame appearance and glow on logs.



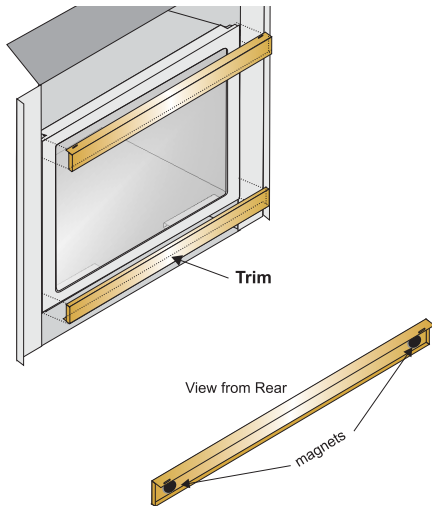
# FLUSH & BAY DOOR OPTIONS





## FLUSH TRIM

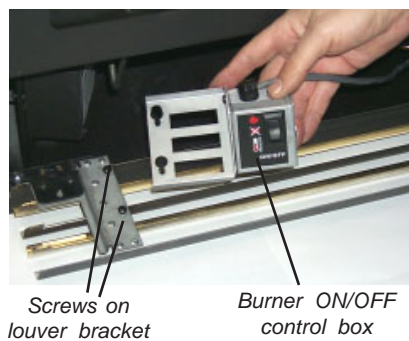
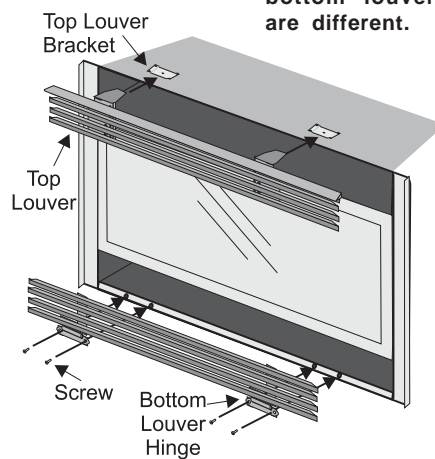
Attach the round magnets to the back of the top trim piece and to the bottom trim piece, then attach trim to the top and bottom of Flush door.



## FLUSH LOUVERS

- 1) Install the top louver by sliding the two bracket clips into the brackets located underneath the top of the firebox.
- 2) The bottom louver has a hinge that is attached (2 screws per hinge) to the lip on bottom of the unit.
- 3) Open the bottom louver. Pull the Burner ON/OFF control box from inside the bottom of the fireplace and position the slots in the bracket over the 2 screws on the left side of the bottom louver. Push down to lock into place. Tighten the screws.

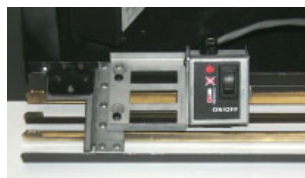
**Note: Top and bottom louvers are different.**



Screws on louver bracket

Burner ON/OFF control box

Burner ON/OFF control box attached to bottom flush louver.



## DOUBLE SCREEN DOOR

- 1) Pull out the top louver.
- 2) Center the screen door and hook over the flush door.
- 3) Open the screen door(s) and secure the screen door to the flush door front with 2 clips on the bottom left and right side.



Clip installed on right side.



Clip locations

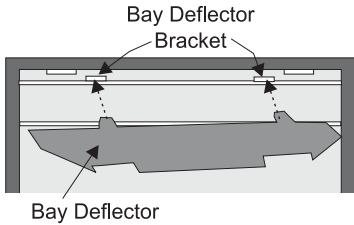
# REGENCY OPTIONS

## BAY DOOR

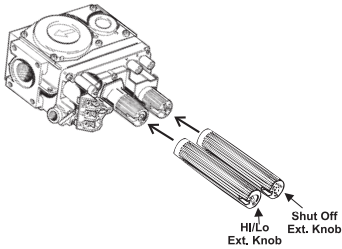
**The Bay louvers *MUST* be used with the Bay glass option.**

The optional Bay door is an overlay on the flush front. The standard flush door and glass must remain on the unit.

- 1) Slide the Bay Deflector into the 2 Bay Deflector brackets in the top of the unit.



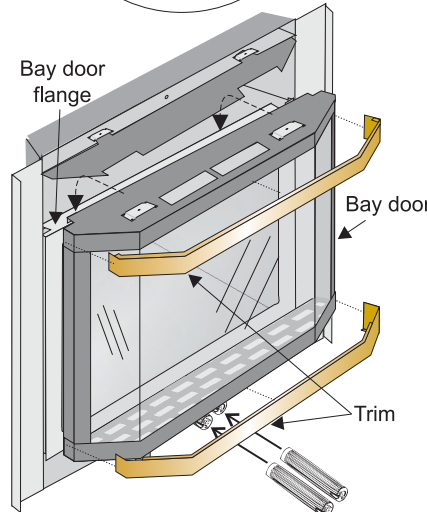
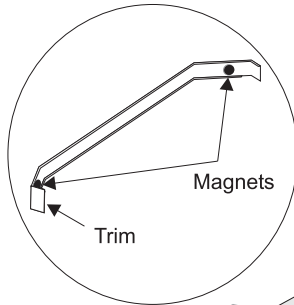
- 2) Hook the top of the bay door over the flush door flange and swing the bottom against the bottom flange of the flush door.
- 3) Secure to the flush door bottom bracket with 2 screws provided.
- 4) Slide the valve extension knobs onto the valve knobs.



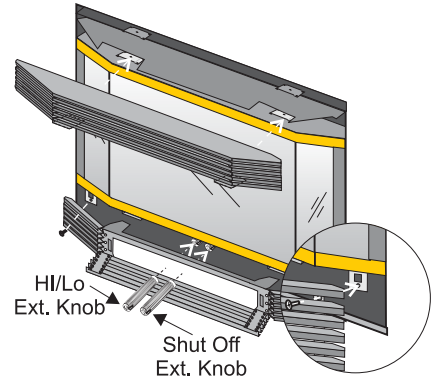
**Note: If any maintenance etc. must be done in the firebox, first remove the Bay louvers and door.**

## BAY TRIM

Attach supplied magnets each to the back of the top and bottom trim pieces, and attach trim to the top and bottom of Bay door.



- 2) Install bottom louver by sliding the two bracket clips into the brackets located underneath the bay door. Secure with 1 screw into each Bottom Louver Mounting Bracket as per diagram below. Use the bottom hole in the bracket.



- 3) Slide the valve extension knobs onto the valve knobs. Match the correct ext. knob with the valve knob.
- 4) Open the bottom louver. Pull the Burner ON/OFF control box from inside the bottom of the fireplace and position the slots in the bracket over the 2 screws on the left side of the bottom louver. Push down to lock into place. Tighten the screws.

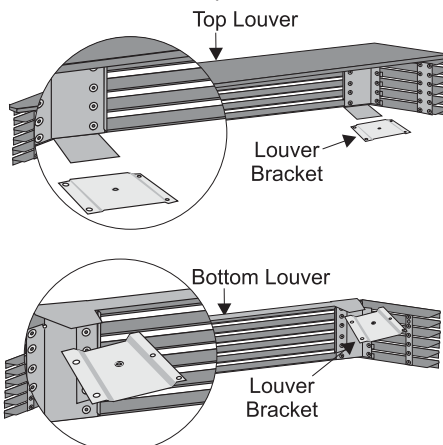
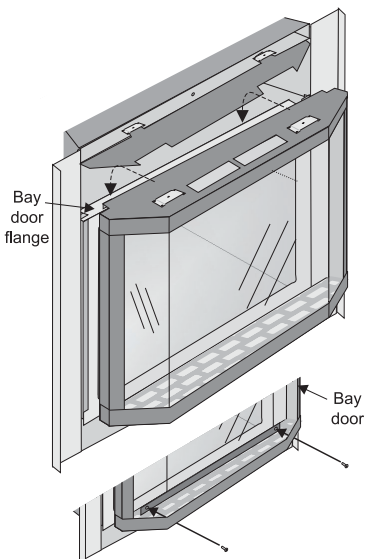
Burner ON/OFF control box



Screws on louver bracket

## BAY LOUVERS

- 1) Install top louver by sliding the two bracket clips into the brackets located on top of the bay door. See below. The fitted louver leaves a small gap between faceplate bottom and louver top.





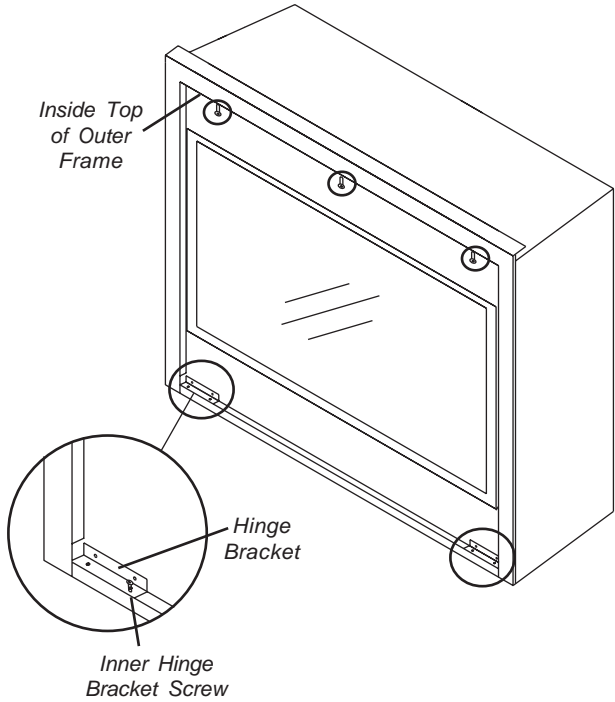
## FULL SCREEN FRONT INSTALLATION

1) Before beginning the installation, remove the Screen Doors from the Full Screen Door Frame by fully opening the doors and lifting up off of the hinges. See important note in step 7.

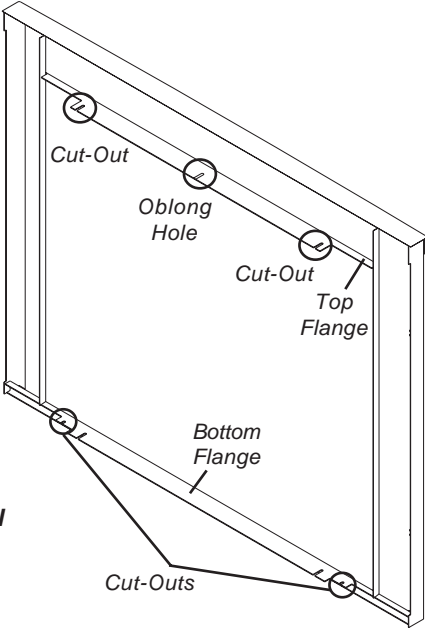
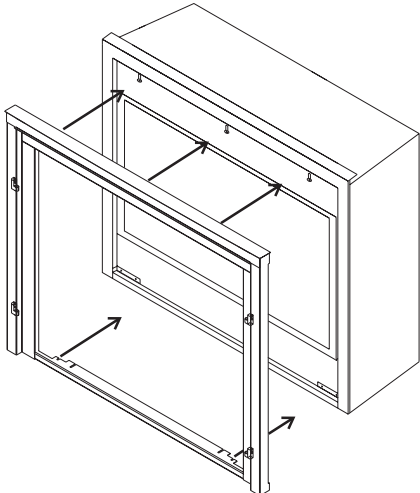
### 2) Full Screen Door Frame Installation

a) Before attaching the Full Screen Door Frame to the unit, loosen the left and right side #8 Philips Head Screws located on the inside top of the outer frame of the appliance. Also remove the center screw.

Loosen the #8 Philips Head Screw on the inner side of each hinge bracket as shown below.



b) Slide the cut-outs in the Top and Bottom Flange of the Full Screen Door Frame under the screw heads which were loosened in step 2a. Once the Frame is in place, tighten the screws to secure. Also re-secure the top center screw through the oblong hole.

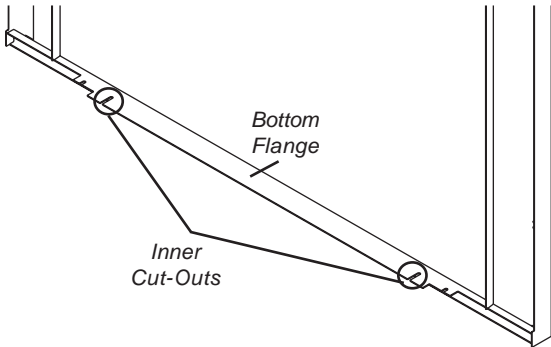


**Backside of Full Screen Door Frame Shown**

**NOTE:** Should the finished wall protrude beyond the face of the unit, you can accommodate up to 1/2" depth.

Simply push in the Full Screen Door Frame until it aligns against the finished wall. Secure Top Flange of Full Screen Door Frame as described in step 2.

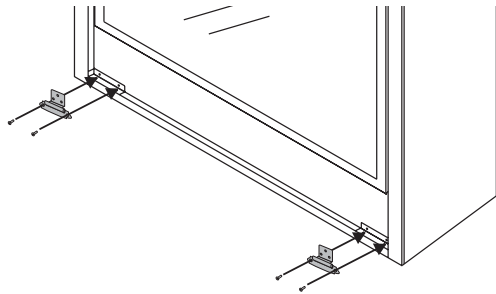
For the Bottom Flange of the Full Screen Door Frame, push the bottom of the Frame until it aligns with the wall. Use the inner cut-outs to secure the base of the Frame using the 2 x Hex Head Drill Point Screws provided.



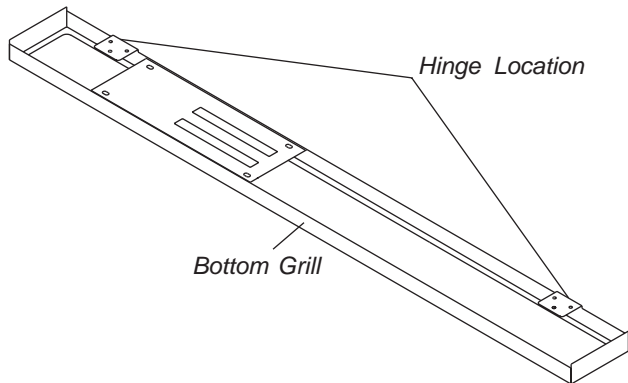
**Backside of Full Screen Door Frame Shown**

# REGENCY OPTIONS

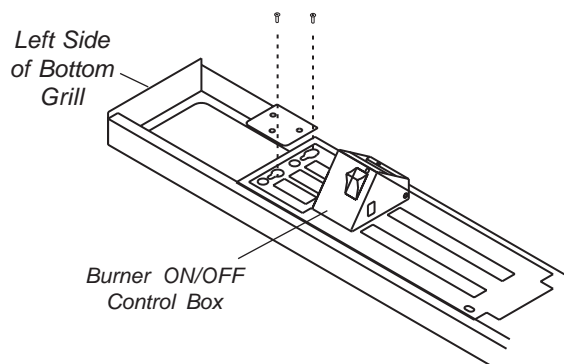
- 3) Install the hinges to the hinge brackets on the left and right side of the bottom of the outer frame, secure using 2 x #8 Philips Head Screws per hinge.



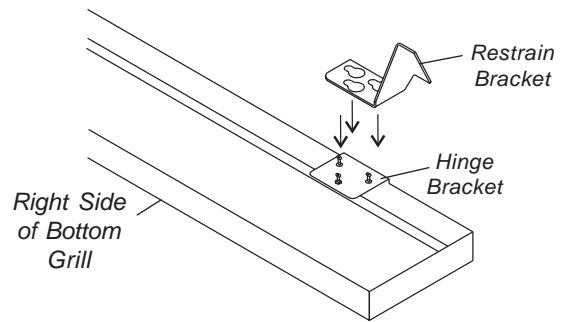
- 4) Place the Bottom Grill near hinge. Flip the hinge over the Bottom Grill and secure with 3 x #8 Philips Head Screws per side.



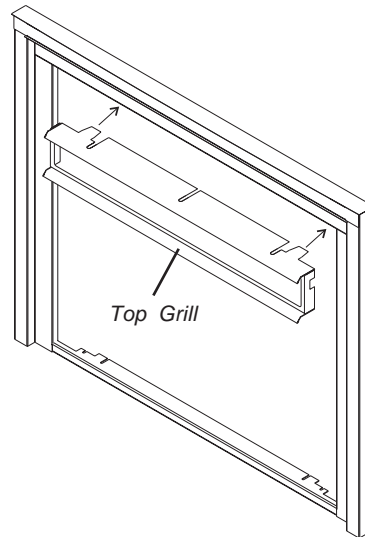
- 5) Mount the Burner ON/OFF Control Box to the left side of the Bottom Grill using 2 x #8 - 1/4" Philips Head Screws.



Loosen the 3 screws which secure the Right Side Hinge Bracket to the Bottom Grill. Place the keyholes in the Restrain Bracket through the screws and slide the Bracket to the right. Tighten the screws to secure bracket in place.

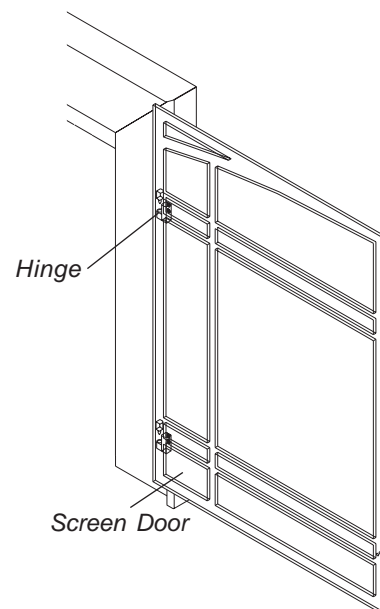


- 6) Slide the Top Grill into the lower brackets located on the inside top of the firebox. Push in place.



- 7) Install the Left and Right Side Screen Doors in the fully open position by placing over top of the hinges on the Full Screen Door Frame.

**NOTE:** Failure to install the doors in the fully open position could result in paint damage to the surface of the door.



- 8) Close screen doors.

## ARCH SCREEN DOOR INSTALLATION

### Framing & Finishing

A non-combustible material 12" (305mm) above the Arch and 6" (153mm) on each side must be used. The Arch Screen Front also requires steel stud framing above and on each side of the unit (refer to Diagram 1).

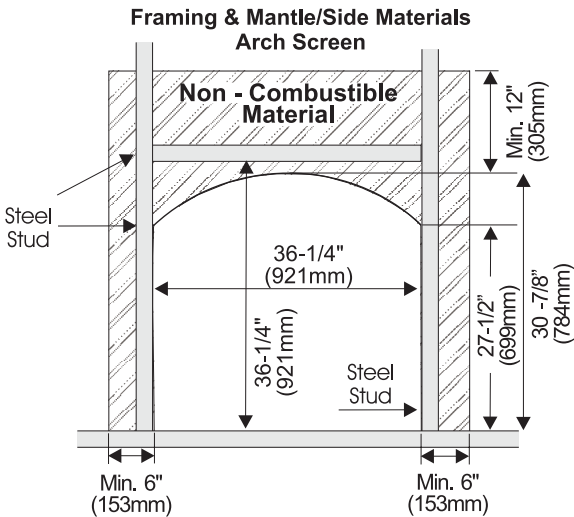


Diagram 1

**Note:** The facing material has to go on after the unit is set.

- 1) Remove Glass Door. Refer to P36 Manual.
- 2) Remove 2 screws and bracket as indicated.

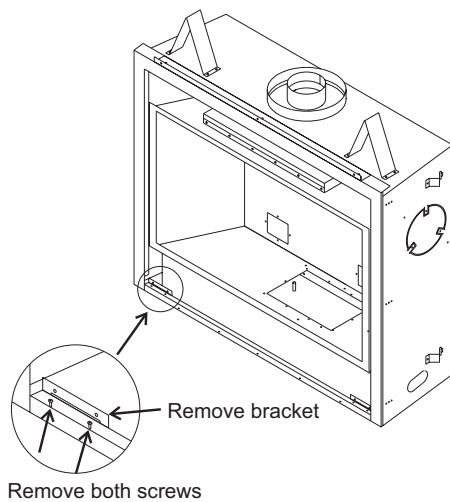


Diagram 2

- 3) Install On/Off switch.

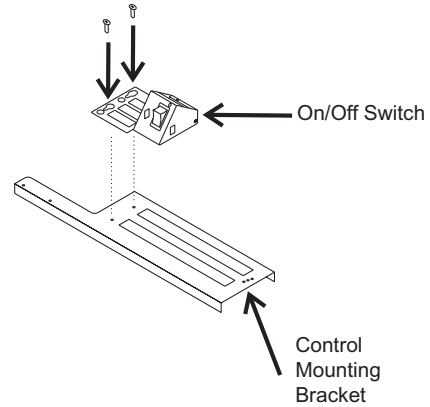


Diagram 3

- 4) Place bracket under the Flange. Secure with 2 screws as indicated in Diagram 4.

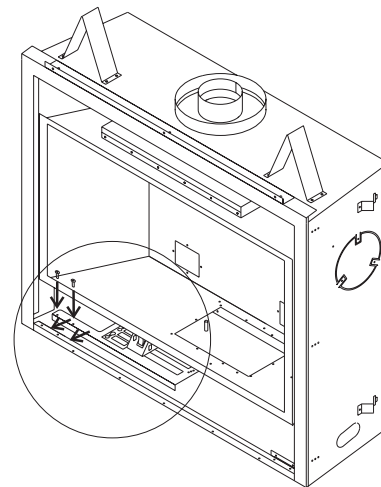
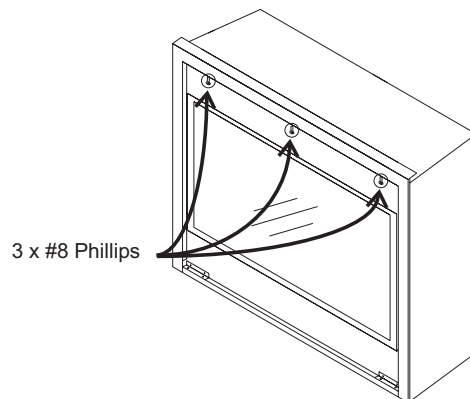


Diagram 4

- 5) Loosen the 3 x #8 Phillips Head Screws located on the inside top of the outer frame of the appliance.

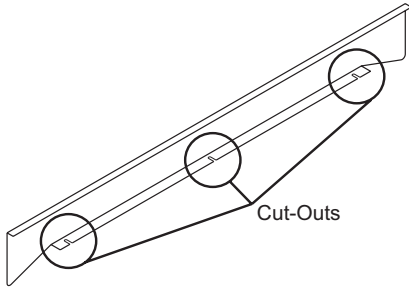


# REGENCY OPTIONS

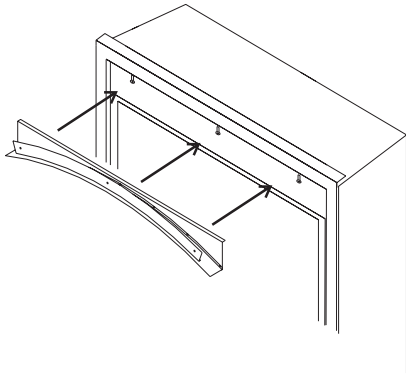
## 6) Install Top Support Frame

Slide in the Top Support Frame using the slots as a guide. Secure and re-tighten the screws to the unit.

a) View of backside of Top Support Frame.



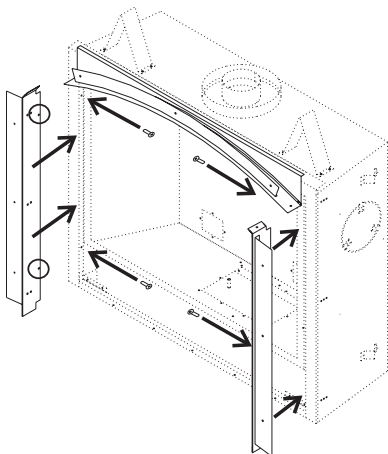
b)



## 7) Side Support Frame

a) Mount Side Support Frame to unit as shown in diagram, then secure with 2 screws on each side.

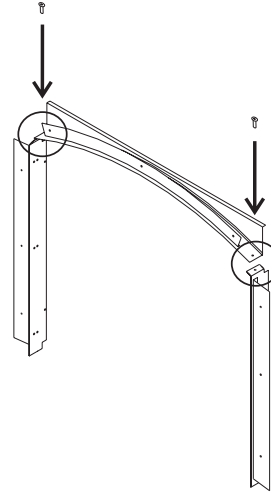
b) Repeat step on the other side.



## 8) Attach Top and Side Support Frame

a) Ensure the Side Supports are aligned with the corresponding hole on the Top Support Frame, then secure with 1 screw.

b) Repeat step on the other side.



**Note:** The Nailing Strips can be adjusted, depending on the facing material (as indicated in Diagram 2).

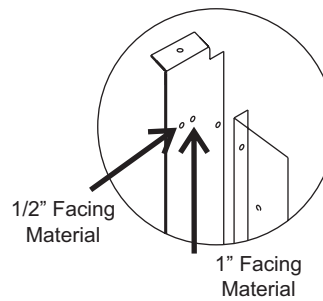


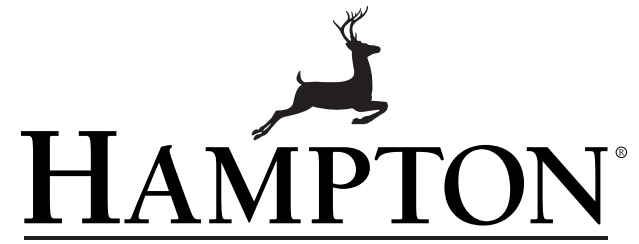
Diagram 2

## 9) Optional

Install Optional 3-Panel Arch Door. (Refer to Install 3-Panel Arch Door Instruction Sheet).

## 10) Change in Logo

Replace existing logo with Regency logo.



# **CAST FACEPLATE**



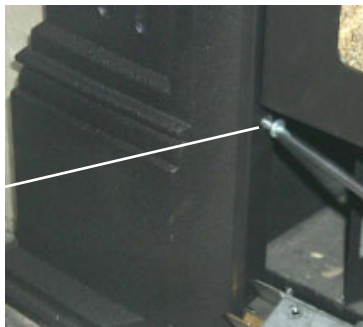
# HAMPTON OPTIONS

## HAMPTON CAST FACEPLATE

- 1) Remove top louver.
- 2) Open bottom louver.
- 3) Install the left side faceplate by pushing in at the side of the firebox and line up with top and bottom holes on side. Secure with screws, tighten loosely.



*Secure top of faceplate with screw.*



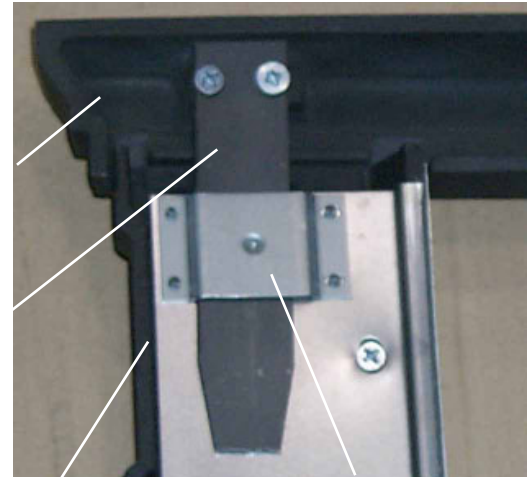
*Secure bottom of faceplate with screw.*

- 4) Repeat step 3 for the right side faceplate.

**NOTE: Do not push in side faceplates all the way, allow for room to place the top faceplate.**

- 5) Slide top piece of faceplate into side faceplates by fitting mounting plates into brackets.

*(Back View)*



*Top piece Faceplate*

*Mounting Plate*

*Side piece Faceplate*

*Bracket on back of side faceplate.*

- 6) Push in both side faceplate pieces and completely tighten screws.
- 7) Re-install top louver.
- 8) Close bottom louver.





## HAMPTON CAST GRILLS

- 1) Remove the 3 faceplate mounting phillips head screws from the inside top of firebox, and discard if necessary.



- 2) Place top grill in brackets located inside top of firebox as shown.



*Bracket inside top of firebox.*



- 3) Remove hinge brackets on bottom left and right side of firebox by removing 2 screws and discard brackets only.



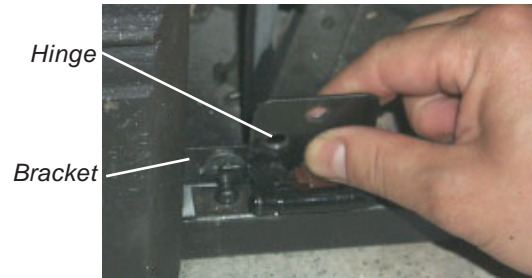
*Hinge bracket. Left side shown.*

- 4) Install new hinge brackets using the same 2 screws removed in step 3.



*New hinge bracket. Left side shown.*

- 5) Install hinge to bracket then secure with screw.



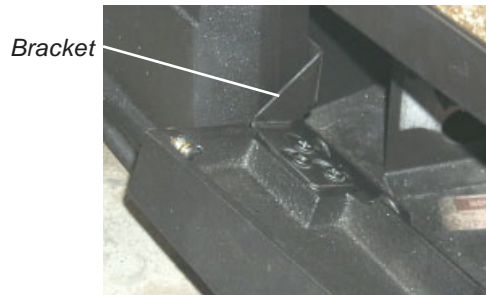
- 6) Place something underneath bottom grill to prevent scratching.

- 7) Line up hinge holes in bottom grill holes.

- 8) Place screws half way in -- do not secure completely.



- 9) Place bracket over screws then push to the side against faceplate to lock in place as per diagram.



- 10) Tighten screws. (Screws will easily be tightened if using a stubby screwdriver.)

**Black Metallic Grills Only:** Mount grill stopper to bottom of firebox securing with one screw.



*Grill Stopper*

- 11) Adjust ball plunger if necessary.

# PALACE

DESIGNER FIREPLACES



*The Westminster Front*



*The Kensington Front*



*The Balmoral Front*



## THE KENSINGTON FRONT INSTALLATION

- 1) Bend tabs downwards located at the back of the Kensington Front.



*Bend tabs downwards.*

**Backside of front shown.**

- 2) Secure the bottom frame of the Front by loosening the inner screw on the hinge brackets on both the left and right side of the firebox. Slide frame in place and secure.

*Hinge bracket on bottom of firebox*

*Kensington Front frame*



**Left Side Shown**

- 3) Slide tabs into louver brackets located on the inside top of the firebox.

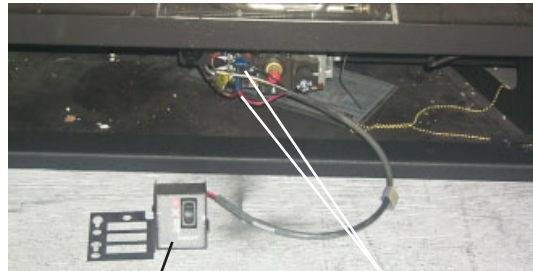


*Bracket inside top of firebox.*



*Tabs*

- 4) Remove existing control switch box from under firebox by disconnecting wires connected to the valve at TH-TH/TP terminals and discard.



*Control Box*

*Wires connected to Valve.*

- 5) Connect the ON/OFF switch wires coming from the left side of the Front to the valve, with black hooked up to the TH/TP terminal and red hooked up to the TH terminal.

**NOTE:** If fan option is not used please see step (5) of optional fan installation for placement of fan control box.



*Fan Control Box*

*ON/OFF Switch Wires*

*Valve*

- 6) For optional fan installation, see page 60.  
7) For 2-panel & 3-panel door installation, see page 61.

# PALACE SERIES OPTIONS

## THE WESTMINSTER FRONT INSTALLATION

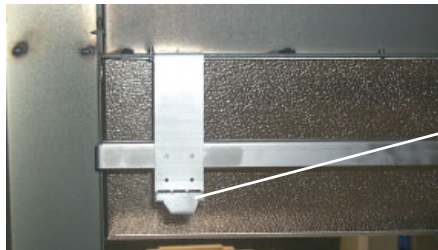
- 1) Install the hood to the Westminster Front by sliding the 4 cut-outs through the screws and tighten to secure.



Westminster Front

Cut-out in Hood

- 2) Bend tabs located at the back of the Westminster Front upwards 90 degrees.



Bend tab upwards 90 degrees.

Backside of front shown.

- 3) Secure the bottom frame of the Front by loosening the inner screw on the hinge brackets on both the left and right side of the firebox. Slide frame in place and secure.

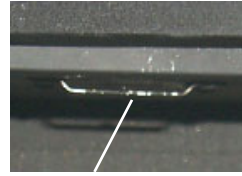


Hinge bracket on bottom of firebox

Westminster Front frame

Left Side Shown

- 4) Slide tabs into louver brackets located on the inside top of the firebox.

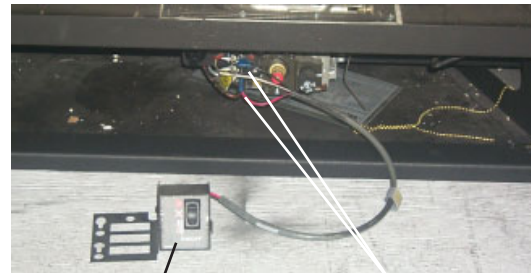


Bracket inside top of firebox.



Tabs

- 5) Remove existing control switch box from under firebox by disconnecting wires connected to the valve at TH-TH/TP terminals and discard.



Control Box

Wires connected to Valve.

- 6) Connect the ON/OFF switch wires coming from the left side of the Front to the valve, with black hooked up to the TH/TP terminal and red hooked up to the TH terminal.

**NOTE:** If fan option is not used please see step (5) of optional fan installation for placement of fan control box.



Fan Control Box

ON/OFF Switch Wires

Valve

- 7) For optional fan installation, see page 60.

- 8) For 2-panel & 3-panel door installation, see page 61.

## THE BALMORAL FRONT INSTALLATION

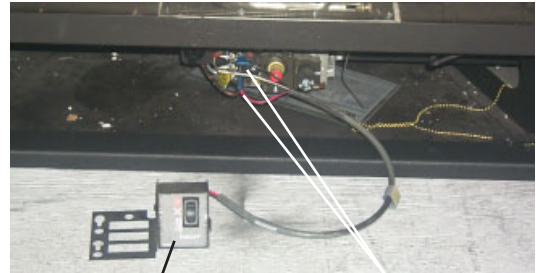
- 1) Bend tabs located at the back of the Balmoral Front upwards 90 degrees.



*Bend tab upwards 90 degrees.*

**Backside of Front shown.**

- 4) Remove existing control switch box from under firebox by disconnecting wires connected to the valve at TH-TH/TP terminals and discard.



**Control Box**

**Wires connected to Valve.**

- 2) Secure the bottom frame of the Front by loosening the inner screw on the hinge brackets on both the left and right side of the firebox. Slide frame in place and secure.

*Hinge bracket on bottom of firebox*

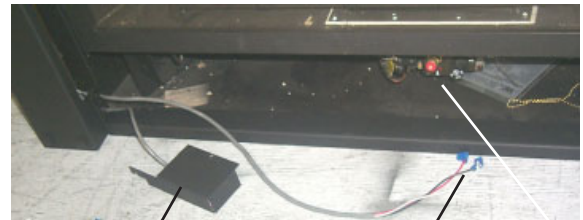
*Balmoral Front frame*



**Left Side Shown**

- 5) Connect the ON/OFF switch wires coming from the left side of the Front to the valve, with black hooked up to the TH/TH/TP terminal and red hooked up to the TH terminal.

**NOTE:** If fan option is not used please see step (5) of optional fan installation for placement of fan control box.



**Fan Control Box**

**ON/OFF Switch Wires**

**Valve**

- 3) Slide tabs into louver brackets located on the inside top of the firebox.



**Tabs**



**Bracket inside top of firebox.**

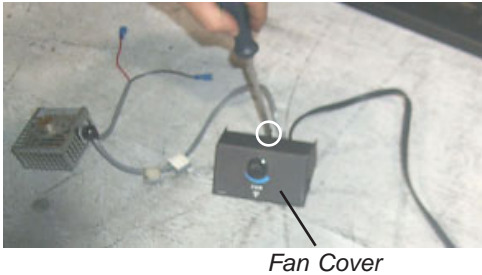
- 6) For optional fan installation, see page 60.

- 7) For 2-panel & 3-panel door installation, see page 61.

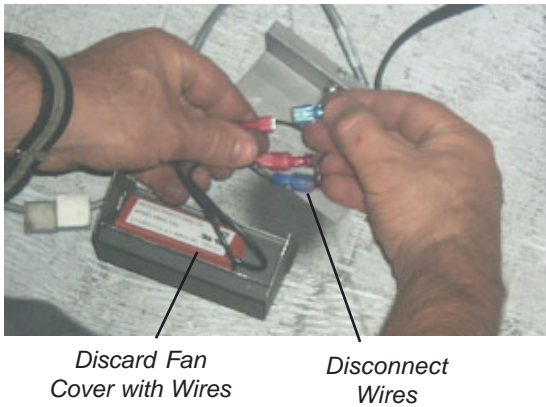
# PALACE SERIES OPTIONS

## THE KENSINGTON, WESTMINSTER & BALMORAL FRONT OPTIONAL FAN INSTALLATION

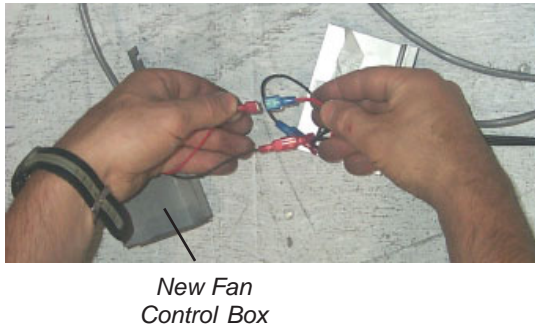
- 1) Remove fan cover by undoing screw.



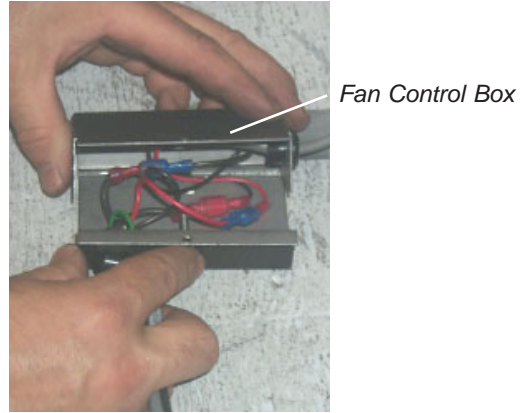
- 2) Disconnect fan switch wires and discard fan cover with wires.



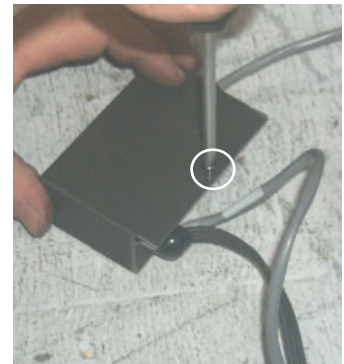
- 3) Connect new fan control box wires to the existing fan plug wires (red to red, black to black).



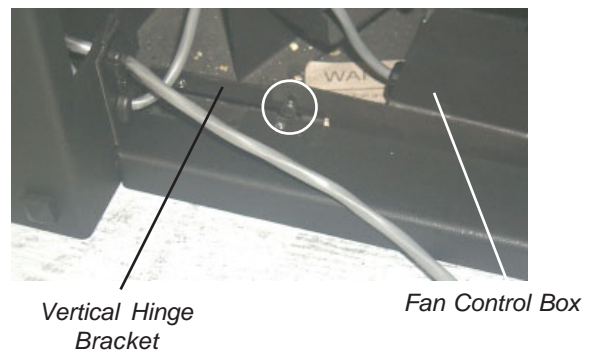
- 4) Tuck wires in new fan control box and secure with screw.



Secure with screw.



- 5) Place fan control box under left side of firebox and secure to left side vertical hinge bracket supplied screw.

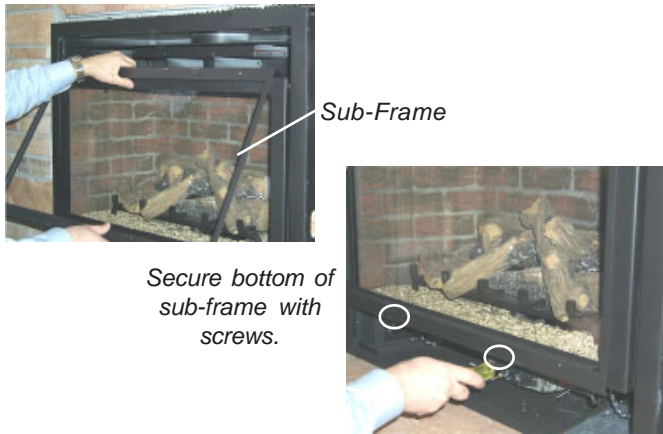




## THE KENSINGTON, WESTMINSTER & BALMORAL FRONT

### 2-PANEL DOOR INSTALLATION:

- 1) Install sub-frame by hooking top over glass door, push in bottom of frame and secure with 2 screws.

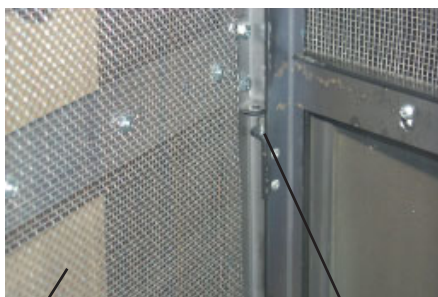


- 2) Mount 2-panel door frame to flange on sub-frame, ensuring to line up holes. Secure using the 6 screws provided.



- 3) Hook left side door to door frame by placing the door hinges (top & bottom) over pins on door frame. Repeat for right side door.

**Note:** It will be easier to put the door in place by starting with the bottom hinge.



Left Side Door

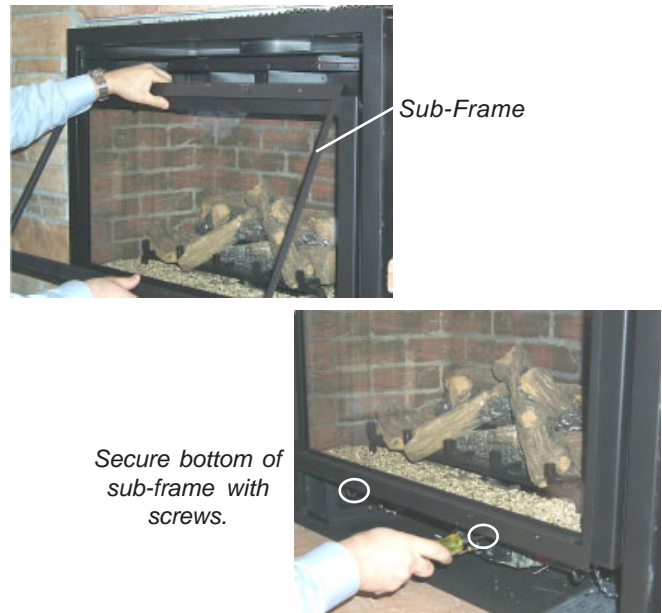
Pin on door frame

**Note:** If you find that the left or right side door is lower than the other, use the spacer provided to help align the doors.

The spacer is to be placed over the bottom pin before installing the screen door.

### 3-PANEL DOOR INSTALLATION:

- 1) Install sub-frame by hooking top over glass door, push in bottom of frame and secure with 2 screws.



- 2) Mount 3-panel door frame to flange on sub-frame, ensuring to line-up holes. Secure using the 4 screws provided.

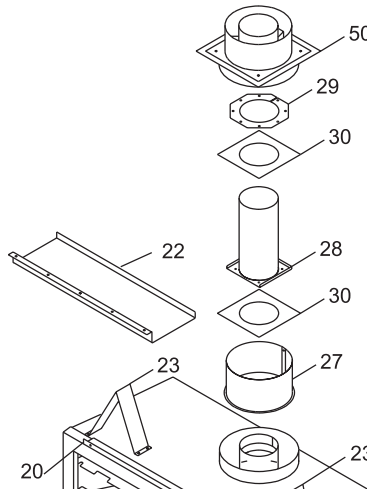
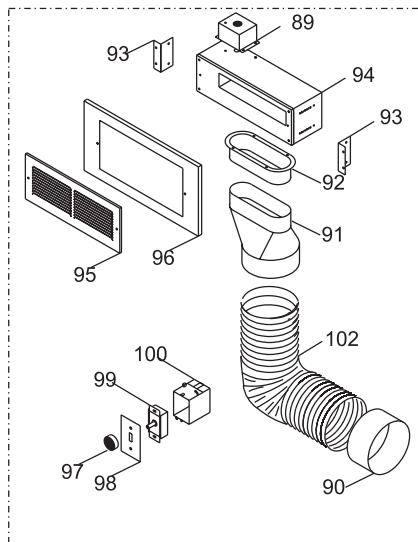


# **REPLACEMENT PARTS LIST**

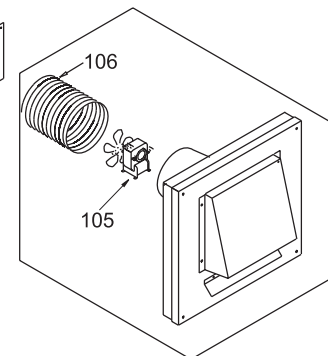
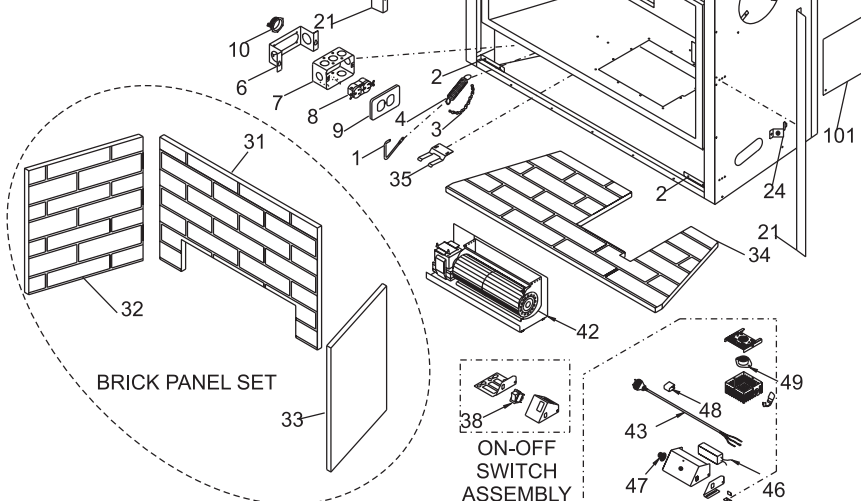
## MAIN ASSEMBLY

Part #	Description	Part #	Description	Part #	Description
1)	948-253 Door Handle	780-928	Brick Panel Set - Standard	43)	910-813 Power Cord (120 Volts)
2)	510-026 Hinge Bracket - Left/Right	780-901	Brick Panel Set - Standard Brown	46)	910-330 Fan Speed Control Switch
3)	948-045 Chain	780-902	Brick Panel Set - Standard Red	47)	904-586 Knob - Speed Control
4)	948-115 Spring	780-903	Brick Panel Set - Herringbone Brown	48)	910-199 Wire Holder Clip
6)	430-129 Receptacle Box Mount	780-904	Brick Panel Set - Herringbone Red	49)	910-142 Thermodisc-Fan (Auto ON/OFF)
7)	910-429 Box - Receptacle	31)	* Brick Panel - Back	910-845	Wire Harness - Plug In Fan
8)	910-428 Duplex Receptacle	32)	* Brick Panel - Left	50)	510-994 Optional Rigid Pipe Adaptor
9)	910-430 Cover - Receptacle	33)	* Brick Panel - Right	946-556	Optional Heat Wave Duct Kit
10)	904-687 Clamp Connector	34)	* Brick Panel - Bottom	89)	946-004 Junction Box
20)	510-033 Top Nailing Strip	35)	* Thermodisc Bracket	90)	946-000 Round Duct Adaptor
21)	510-064 Side Nailing Strip	432-967	Burner ON/OFF Switch Assy	91)	946-002 Round to Oval Adaptor
22)	780-010 Baffle Plate	38)	910-241 Switch-Burner ON/OFF(3-way)	92)	946-001 Oval Duct Adaptor
23)	780-011 Standoff - Top	910-899	Wire Harness-Valve to Burner	93)	946-007 Angle Bracket
24)	780-013 Standoff - Side/Back	432-917	Fan & Speed Control Assy (120 Volts) Optional	94)	946-517/P Fan Assembly - HeatWave Option
27)	* Outer Flue Collar	42)	910-331/P Fan Motor	95)	946-006 Grill Plate - White
28)	* Inner Flue Collar Assy	432-966	Fan Switch Assy (120 Volts) Optional	96)	946-005/01 Wall Adaptor Plate - White
29)	* Flue Mounting Plate			97)	910-417 Knob - White
30)	* Gasket for Flue Collar			98)	910-366 Switch Cover Plate - White
				99)	910-412 Fan Speed Controller
				100)	910-367 Box - Plastic Switch Receptacle
				101)	690-022 Cover Plate - Outer Box Side
				102)	946-010 Flexible Air Duct
					946-011 Insulation 6" dia. x 24"
				946-570	Heat Release Duct Kit (Optional)
				105)	910-165 Fan (120 Volts)
				106)	946-000 Flexible Air Release Duct
				918-059	Manual
				512-969	Conversion Kit - NG to LP

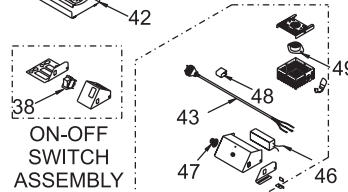
\*Not available as a replacement part.



DOORS & LOUVERS PLEASE REFER SEPARATE SECTION



HEAT RELEASE DUCT KIT



FAN SWITCH ASSEMBLY

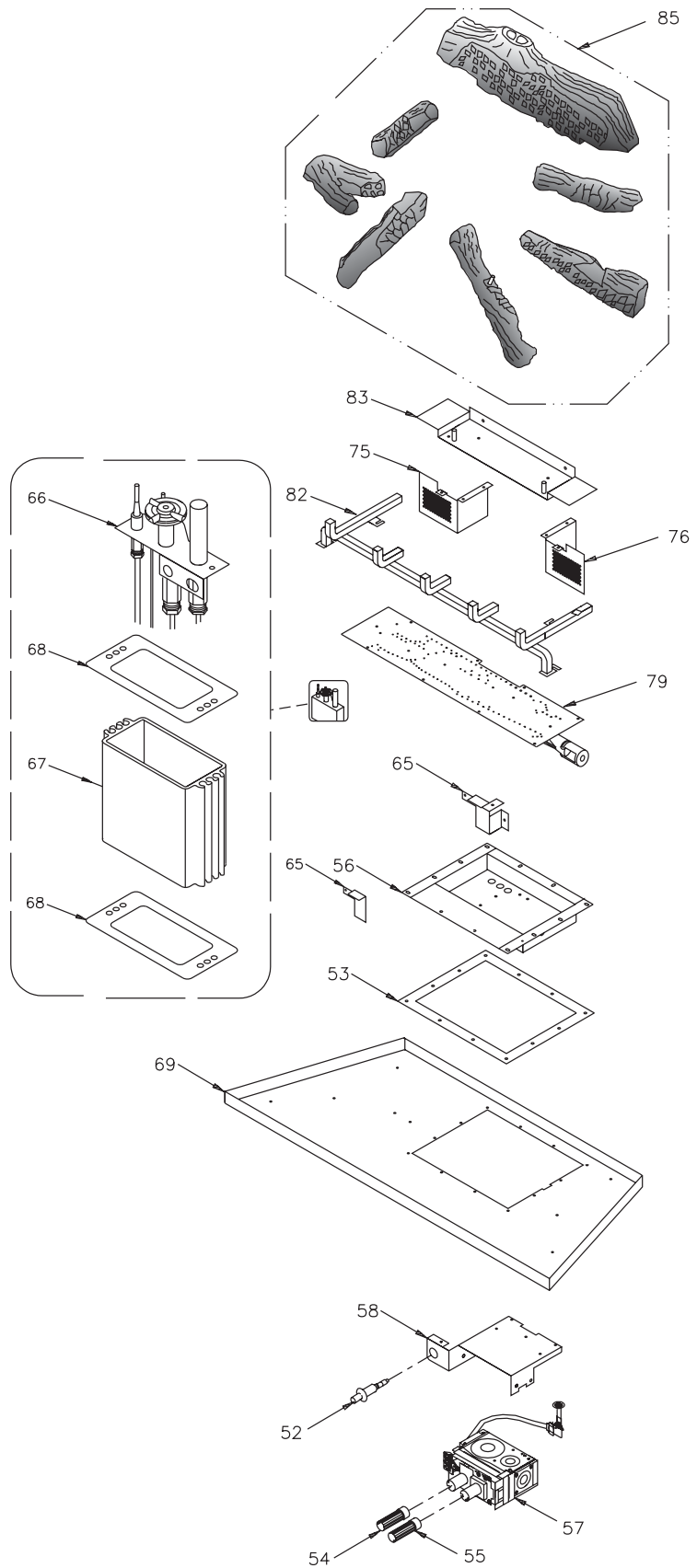


# PARTS LIST

## BURNER ASSEMBLY & LOG SET

Part #	Description
52)	910-190 Piezo Ignitor & Nut
53)	780-021 Gasket - Valve Access Plate NG/LP
54)	910-421 Pilot ON/OFF 3" Extension Knob
55)	910-422 Flame HI/LOW 3" Extension Knob
	780-524/P Valve Assy - Natural Gas
	780-526/P Valve Assy - Propane
56)	* Valve Tray - NG/LP
57)	910-378 Valve - S.I.T. - Natural Gas
	910-380 Valve - S.I.T. - Propane
58)	* Valve Bracket
65)	* Pilot Bracket
66)	910-038 Pilot Assy - S.I.T. - 3 Flame NG
	910-039 Pilot Assy - S.I.T. - 3 Flame LP
67)	* PilotHolder
68)	W840470 Pilot Assembly Gasket
	904-240 Orifice #37 - Natural Gas
	904-390 Orifice #52 - Propane
	936-170 Orifice Gasket
69)	* Firebox Base
75)	* Deflector - Left
76)	* Deflector - Right
79)	790-525 Burner Assy - NG/LP
82)	511-030 Burner Grate Assy
83)	780-520 Rear Log Support Bracket
84)	* Deflector
85)	780-930 Log Set

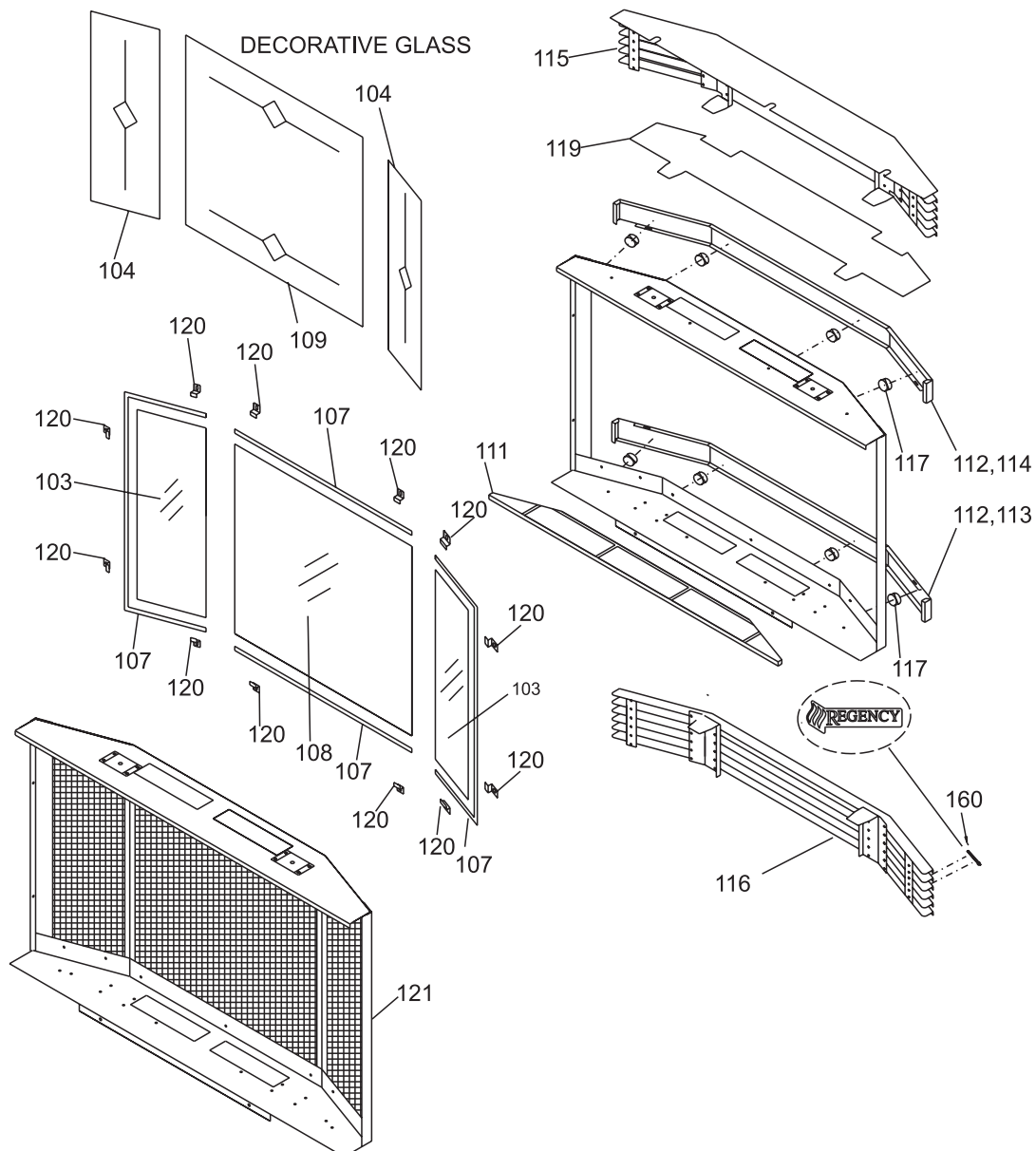
\*Not available as a replacement part.



## REGENCY BAY FRONT ASSEMBLY

Part #	Description	Part #	Description
780-931	Bay Front Complete	114) *	Bay Front Trim-Gold-Top
780-953	Bay Front - Decorative Glass-Complete	510-988	Bay Louvers - Black
103) 940-092/P	Side Glass	510-993	Bay Louvers - Steel/Black
104) 940-096/P	Side Glass - Decorative	510-990	Bay Louvers - Gold/Black
107) 936-243	Glass Gasket	510-992	Bay Louvers - Brass/Black
108) 940-094/P	Center Glass	115) *	Bay Louver Assy-Top
109) 940-098/P	Center Glass - Decorative	116) *	Bay Louver Assy-Btm
111) 902-285	Bay Brick Panel - Standard	117) 904-196	Magnet (1" round)
780-905	Bay Brick Panel - Standard Brown	119) 780-025	Bay Door Baffle
780-906	Bay Brick Panel - Standard Red	120) *	Glass Retainer Bracket
780-938	Bay Front Trim (Set) - Brass	121) 780-932	Bay Front Screen
780-936	Bay Front Trim (Set) - Steel	160) 948-216	Regency Logo Plate
112) *	Bay Front Trim - Top/Bottom		
780-934	Bay Front Trim (Set) - Gold		
113) *	Bay Front Trim-Gold-Bottom		

\*Not available as a replacement part.

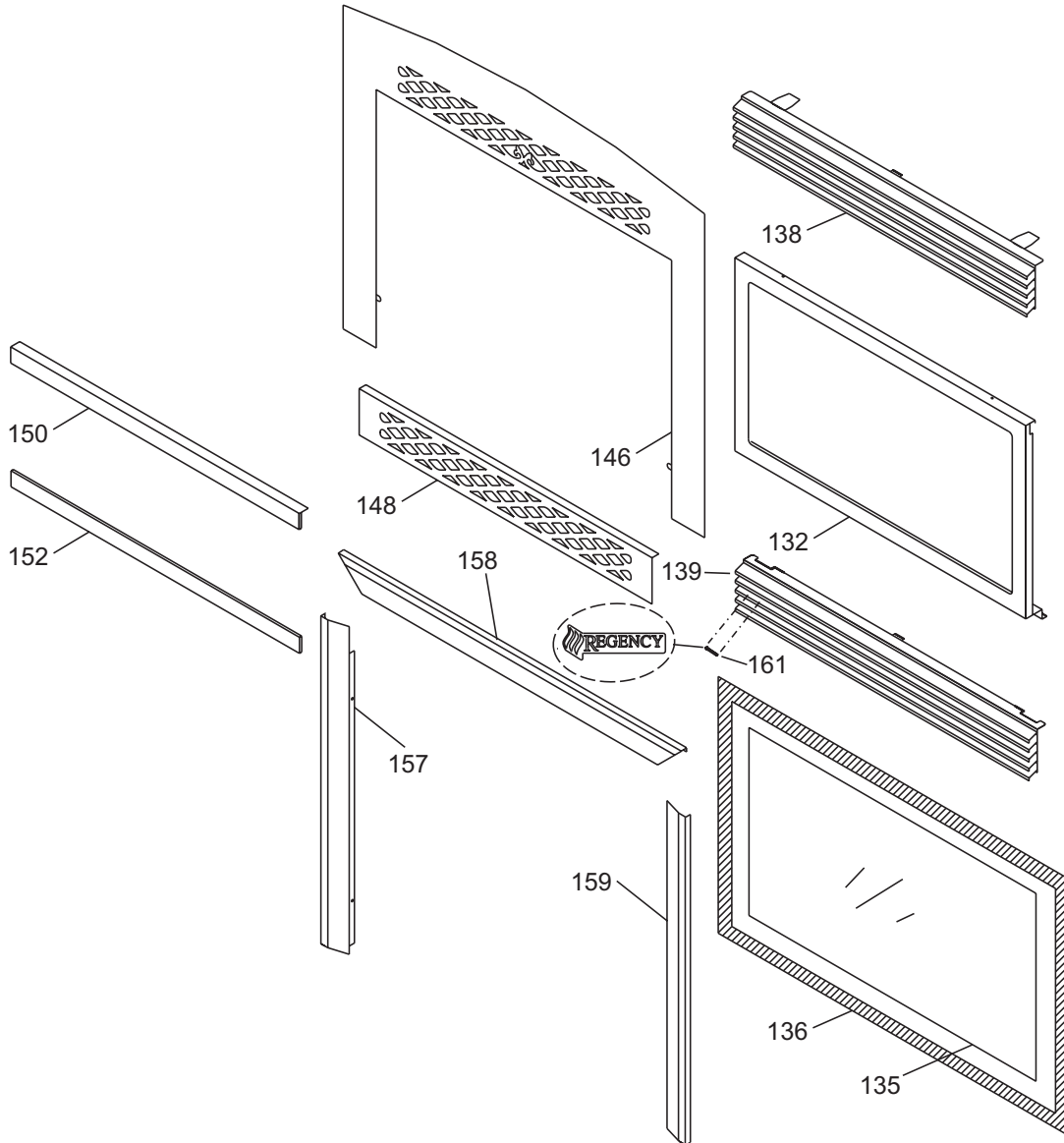


# PARTS LIST

## REGENCY FLUSH FRONT ASSEMBLY

Part #	Description	Part #	Description
132)	512-518 Flush Door Assembly	152)	* Flush Glass Trim
135)	940-090/P Glass (Flush)	904-196	Magnet
136)	936-155 Glass Gasket (Tadpole)		
904-691	U-Clip		
		510-932	Flush Glass Trim (Set) - Gold
510-920	Flush Louvers (Set)-Gold/Blk	150)	* Flush Glass Trim
510-921	Flush Louvers (Set)-Brass/Blk	904-196	Magnet
510-922	Flush Louvers (Set)-Black		
510-923	Flush Louvers (Set)-Steel/Black	510-950	Finishing Trim (Set) - Brass
138)	* Flush Louver Assy-Top	510-986	Finishing Trim (Set) - Black
139)	* Flush Louver Assy-Btm	157)	* Finishing Trim Left
		158)	* Finishing Trim Top
146)	* Barcelona Assy - Black	159)	* Finishing Trim Right
148)	* Barcelona Louver Assy-Black	161)	948-216 Regency Logo Plate
510-934	Flush Glass Trim (Set) - Brass		
510-947	Flush Glass Trim (Set) - Steel		

\*Not available as a replacement part.



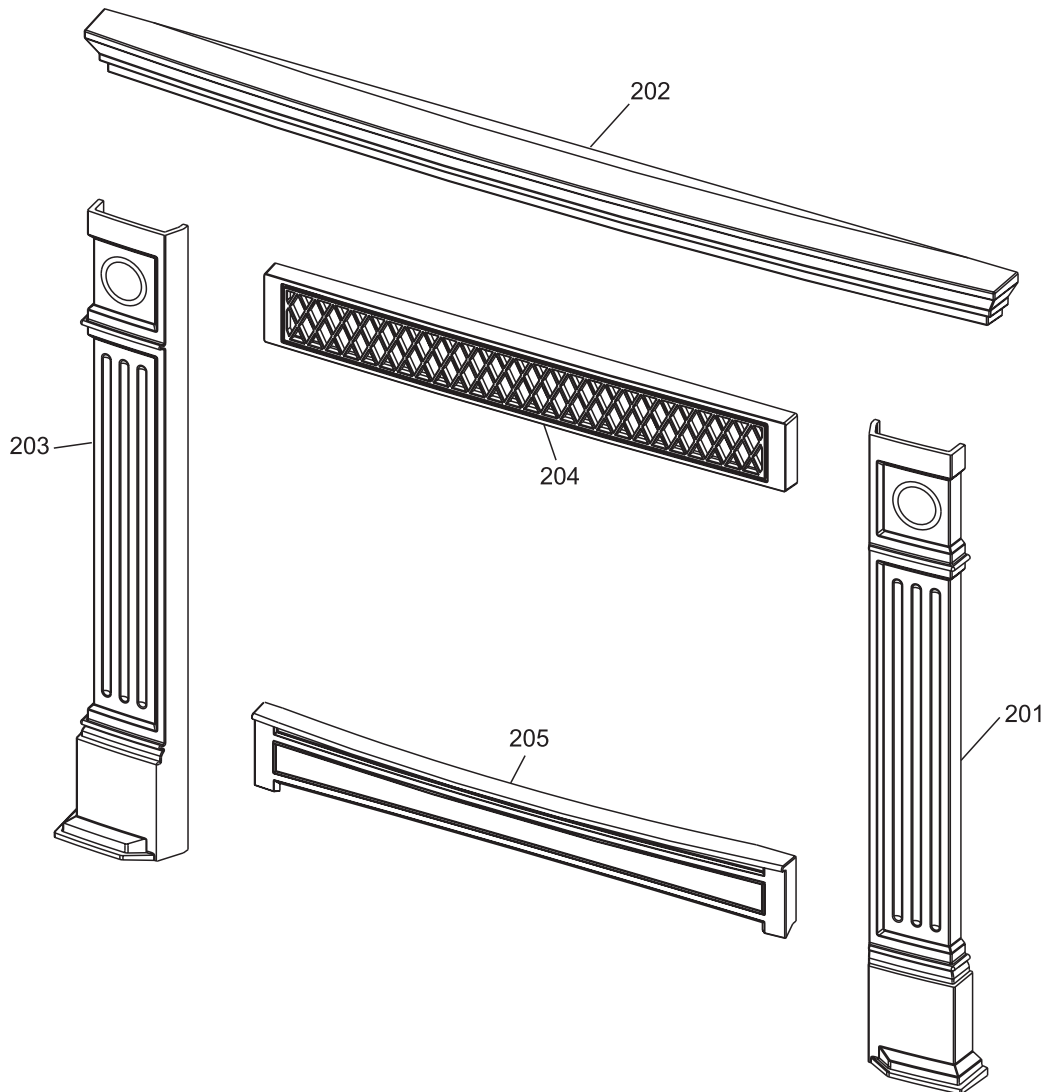
## HAMPTON CAST FACEPLATE & GRILL ASSEMBLY

Part #	Description
513-971**	Cast Faceplate (Set)
201)*	Cast Faceplate - Right
202)*	Cast Faceplate - Top
203)*	Cast Faceplate - Left
513-981**	Cast Grills (Set)
204)*	Top Grill
205)*	Bottom Grill

\*Not available as a replacement part.

\*\* Last digit of part number represents colour:

1=Black Metallic, 5=Enamel Brown, 6=Enamel Black













**FPI Fireplace Products are designed with reliability and simplicity in mind. In addition, our internal Quality Assurance Team carefully inspects each unit thoroughly before it leaves our facility. FPI Fireplace Products International Ltd. is pleased to extend this limited lifetime warranty to the original purchaser of a FPI Product. This warranty is not transferable.**

**The Warranty:** Limited Lifetime

The combustion chamber, heat exchanger, burner tubes/pans, logs, brick panels and gold plating (against defective manufacture only) are covered under the Limited Lifetime Warranty for five (5) years for parts and subsidized labour\* and parts only thereafter.

Glass is covered for lifetime against thermal breakage only, parts and subsidized labour\* for five (5) years and parts only thereafter from date of purchase.

External casting, surrounds and grills are covered against cracks and warps resulting from manufacturer defects, parts and subsidized labour\* for three (3) years from the date of purchase and parts only thereafter.

Special Finishes - One year on brushed nickel and antique copper full screens and doors. You can expect some changes in color as the product "ages" with constant heating and cooling. FPI warrants the product for any manufacturing defects on the original product. However, the manufacturer's warranty does not cover changing colors and marks, ie. finger prints, etc applied after the purchase of the product. Damage from the use of abrasive cleaners is not covered by warranty.

Electrical and mechanical components such as blowers, switches, wiring, thermodiscs, FPI remote controls, spill switches, thermopiles, thermocouples, pilot assembly components, and gas valves are covered for one year parts and subsidized labour\* from the date of purchase. Blowers and valves replaced under warranty are considered repairs and continue as if new with appliance. ie. twelve (12) months from original purchase date of appliance with a minimum of three (3) months coverage from date of replacement.

FPI venting components are covered parts and subsidized labour\* for three (3) years from date of purchase.

Simpson Dura-Vent venting components (Direct Vent units) are covered by Simpson Dura-Vent Inc. warranty.

**Conditions:**

Any part or parts of this unit which in our judgement show evidence of such defects will be repaired or replaced at FPI's option, through an accredited distributor or agent provided that the defective part be returned to the distributor or agent **Transportation Prepaid**, if requested.

Porcelain/Enamel - Absolute perfection is either guaranteed nor commercially possible. Any chips must be reported and inspected by an authorized dealer within three days of installation. Reported damage after this time will be subject to rejection.

It is the general practice of FPI to charge for larger, higher priced replacement parts and issue credit once the replaced component has been returned to FPI and evaluated for manufacturer defect.

The authorized selling dealer is responsible for all in-field service work carried out on your FPI product. FPI will not be liable for results or costs of workmanship from unauthorized service persons or dealers.

At all times FPI reserves the right to inspect product in the field which is claimed to be defective.

All claims must be submitted to FPI by authorized selling dealers. It is essential that all submitted claims provide all of the necessary information including customer name, purchase date, serial #, type of unit, problem, and part or parts requested, without this information the warranty will be invalid.

**Exclusions:**

This limited Lifetime Warranty does not extend to or include paint, door or glass gasketing or trim.

At no time will FPI be liable for any consequential damages which exceed the purchase price of the unit. FPI has no obligation to enhance or modify any unit once manufactured. ie. as products evolve, field modifications or upgrades will not be performed.

FPI will not be liable for travel costs for service work.

Installation and environmental problems are not the responsibility of the manufacturer and therefore are not covered under the terms of this warranty policy.

Embers, rockwool, gaskets, door handles and paint are not covered under the terms of this warranty policy.

Any unit which shows signs of neglect or misuse is not covered under the terms of this warranty policy.

The warranty will not extend to any part which has been tampered with or altered in any way, or in our judgment has been subject to misuse, improper installation, negligence or accident, spillage or downdrafts caused by environmental or geographical conditions, inadequate ventilation, excessive offsets, negative air pressure caused by mechanical systems such as furnaces, fans, clothes dryer, etc.

Freight damage to stoves and replacement parts is not covered by warranty and is subject to a claim against the freight carrier by the dealer.

FPI will not be liable for acts of God, or acts of terrorism, which cause malfunction of the appliance.

Performance problems due to operator error will not be covered by this warranty policy.

Products made or provided by other manufacturers and used in conjunction with the operation of this appliance without prior authorization from FPI, may nullify your warranty on this product.

Any alteration to the unit which causes sooting or carboning that results in damage to the interior / exterior facia is not the responsibility of FPI.

\* Subsidy according to job scale as predetermined by FPI.

**FPI fireplaces are designed with reliability and simplicity in mind. In addition, our internal Quality Assurance Team carefully inspects each unit thoroughly before it leaves our door.**

**FPI Fireplace Products International Ltd. is pleased to extend this Limited Lifetime Warranty to the original purchaser of a FPI Product.**

**See the inside back cover for details.**

**Register your Regency online at  
<http://www.regency-fire.com>**

**Register your Hampton online at  
<http://www.hampton-fire.com>**

**Register your Palace online at  
<http://www.palace-fire.com>**

*Installer: Please complete the following information*

**Dealer Name & Address:** \_\_\_\_\_  
\_\_\_\_\_

**Installer:** \_\_\_\_\_

**Phone #:** \_\_\_\_\_

**Date Installed:** \_\_\_\_\_

**Serial No.:** \_\_\_\_\_