

Greenfire® GC60-2

OWNER'S MANUAL

Freestanding Cast Iron Pellet Stove



French Manual: <https://bit.ly/3v9xArf>
Manuel en Français : <https://bit.ly/3v9xArf>

PLEASE READ THIS ENTIRE MANUAL BEFORE INSTALLATION AND USE OF THIS PELLET-BURNING ROOM HEATER. FAILURE TO FOLLOW THESE INSTRUCTIONS COULD RESULT IN PROPERTY DAMAGE, BODILY INJURY OR EVEN DEATH.

Contact your building or fire officials about restrictions and installation inspection requirements in your area.

WARNING:

Improper installation, adjustment, alteration, service or maintenance can cause injury, property damage, or loss of life. Refer to this manual. For assistance or additional information consult an authorized installer or service agency.

FOR YOUR SAFETY:

Do not store or use gasoline or other flammable vapours and liquids in the vicinity of this or any other appliance.

Installation and service must be performed by an authorized installer or service agency.

Tested by:



IMPORTANT: SAVE THESE INSTRUCTIONS

TO THE NEW OWNER

Congratulations! You are the owner of a state-of-the-art Pellet Stove.
Thank you for purchasing an
FPI FIREPLACE PRODUCT.

The pride of workmanship that goes into each of our products will give you years of trouble-free enjoyment. Should you have any questions about your product that are not covered in this manual, please contact the HAMPTON DEALER in your area.

Safety Note: If this stove is not properly installed, a house fire may result. For your safety, follow the installation instructions, contact local building, fire officials, or authority having jurisdiction about restrictions and installation inspection requirements in your area.

The authority having jurisdiction should be consulted before installation to determine the need to obtain a permit.

Emissions and Efficiency: This manual describes the installation and operation of the Regency GC60-2 pellet heater. This heater is U.S. ENVIRONMENTAL PROTECTION AGENCY certified to comply with 2020 particulate emission standards. Under specific test condition this heater has been shown to deliver heat at rates raging from: 7,817 - 38,437 Btu/hr

Efficiency: 78%* HHV (PFS TECO 21-703)

* When using optional top vent adaptor kit (GC60-920) and 4" to 6" flue adaptor (4PVP-X6). See instruction manual for further information.

FIRE EXTINGUISHER AND SMOKE DETECTION: All home with a pellet burning stove should have at least one fire extinguisher in a central location known to all the household. Smoke detectors and carbon monoxide detectors should be installed maintained in the room containing the stove. If it sounds the alarm, correct the cause but do not deactivate. You may choose to relocate the smoke the smoke detection device within the room; **DO NOT REMOVE THE SMOKE OR CARBON MONOXIDE DETECTORS FROM THE ROOM.**

WARNING: This wood heater needs periodic inspection and repair for proper operation. It is against federal regulation to operate this wood heater in a manner inconsistent with operating instructions in this manual.

WARNING: This wood heater has a manufacturer set minimum low burn rate that must not be altered. It is against federal regulations to alter this setting or other wise operate this wood heater in a manner inconsistent with operating instructions in this manual.

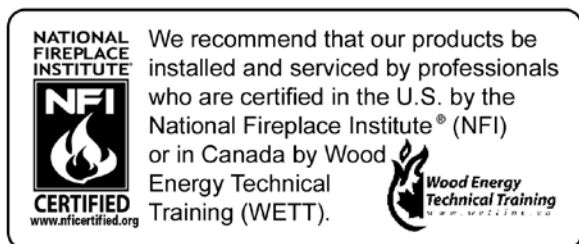


Table of Contents

Introduction.....	4
Rating Label Location.....	4
Fuel Quality.....	4
Safety Warnings & Recommendations.....	5
Safety Decal	6
Safety Warnings & Recommendations.....	7
Dimensions & Specifications.....	7
Operating Instructions.....	9
Control Board Functions.....	9
Automatic Safety Features of Your Pellet Stove.....	9
Operating Your Pellet Stove.....	10
Turning Your Pellet Stove Off.....	11
Slider/Damper Set-Up.....	11
Routine Cleaning and Maintenance.....	12
Warranty.....	16
Recycling.....	22

Introduction

* This manual is designed for the home owner in conjunction with the technical manual. *

RATING LABEL LOCATION:

The rating label is located on the inside of the rear hopper access cover.

FUEL QUALITY:

Fuel quality is important, please read the following:

Your Hampton pellet stove has been designed to burn 1/4" (6mm) dia wood pellets and other organic pellet fuels (corn, wheat, barley). DO NOT use this appliance as an incinerator. DO NOT use unsuitable and non recommended fuels, including liquid fuels as this will void any warranties stated in this manual.

The performance of your pellet stove is greatly affected by the type and quality of fuel being burned. As the heat output of various quality fuels differs, so will the performance and heat output of the pellet stove.

CAUTION: It is important to select and use only fuel that are dry and free of dirt or any impurities such as high salt content. Dirty fuel will adversely affect the operation and performance of the unit and will void the warranty. The Pellet Fuel Industries (P.F.I.) has established standards for wood pellet manufacturers. We recommend the use of pellets that meet or exceed these standards. Ask your dealer for a recommended pellet type.

ASH: The ash content of the fuel and operation of your stove will directly determine the frequency of cleaning. The use of high ash fuels may result in the stove needing to be cleaned daily. A low ash fuel may allow longer intervals between cleaning.

CLINKERING: [clinkers are silica (sand) or other impurities in the fuel that will form a hard mass during the burning process]. This hard mass will block the air flow through the Burn Pot Liner and affect the performance of the stove. Any fuel, even approved types, may clinker. Check the Burn-Pot Liner daily to ensure that the holes are not blocked with clinkers. If they become blocked, remove the liner (when the unit is cold) and clean/scrape the clinkers out. Clean the holes with a small pointed object if required. Refer to the section Routine Cleaning and Maintenance.

FUEL FEED RATES: Due to different fuel densities and sizes, fuel feed rates may vary. This may require an adjustment to the slider damper setting or to the auger feed trim setting.

Since Regency Fireplace Products Ltd. has no control over the quality of fuel that you use, we assume no liability for your choice in fuels.

FILLING FUEL HOPPER: Open lid on top of unit, check hopper for foreign objects, empty the bag into the hopper, and ensure hopper lid closes completely.

Store fuels in a dry location at least 36" (1 m) away from the pellet stove, and clear of the space required for charging and ash removal.

WARNING: Parts of the appliance, especially the external surfaces, will be hot to touch when in operation so use due care.

FLAMMABLE LIQUIDS: Never use gasoline, gasoline-type lantern fuel, kerosene, charcoal lighter fluid, or similar liquids to start or "freshen up" a fire in the heater. Keep all such liquids well away from the heater while it is in use.

Safety Warnings & Recommendations

Please read this entire Owner's Manual before installing or operating your Hampton Pellet Stove. Failure to follow these instructions may result in property damage, bodily injury or even death. Any unauthorized modification of the appliance or use of replacement parts not recommended by the manufacturer is prohibited. All national and local regulations and shall be complied with when operating this appliance.

Caution: Do not connect to any air distribution duct or system.

Warning: Never place wood, paper, furniture, drapes or other combustible materials within 48" (122cm) of the front of the unit, 12" (30.5cm) from each side, and 4" (10cm) from the back of the unit. Do not let children or pets touch it when it is hot.

To prevent the possibility of a fire, ensure that the appliance is properly installed by adhering to the installation instructions. An Hampton dealer will be happy to assist you in obtaining information with regards to your local building codes and installation restrictions.

FIRE EXTINGUISHER AND SMOKE DETECTION: All homes with a pellet burning stove should have at least one fire extinguisher in a central location known to all in the household. Smoke detectors should be installed and maintained in the room containing the stove. If it sounds the alarm, correct the cause but do not deactivate. You may choose to relocate the smoke detection device within the room; **DO NOT REMOVE THE SMOKE DETECTOR FROM THE ROOM.**

CHIMNEY OR RUN AWAY FIRE (SOOT/CREOSOTE): Call local fire department (or dial 911). Close the draft fully. Extinguish the fire in the burn pot liner with a cup of water and close the door. Examine the flue pipes, chimney, attic, and roof of the house, to see if any part has become hot enough to catch fire. If necessary, spray with fire extinguisher or water from the garden hose. **IMPORTANT:** Do not operate the stove again until you are certain the chimney and its lining have not been damaged. Check daily for creosote build-up until experience shows how often you need to clean to be safe.

OPERATION: The door and ash drawer must be kept closed when the unit is in operation to prevent fume spillage and for proper and safe operation of the pellet stove. Also ensure all gaskets on the door are checked and replaced when necessary. **Unit hot while in operation. Keep children, clothing and furniture away. Contact may cause skin burns.**

CAUTION: When operating during adverse weather, if the unit exhibits dramatic changes in combustion stop using the unit immediately.

FUEL: This stove is designed and approved to only burn wood pellets of any quality, corn, wheat, barley, and grass. Dirty fuel will adversely affect the operation and performance of the unit and may void the warranty. Check with your dealer for fuel recommendations. **THE USE OF CORDWOOD IS PROHIBITED BY LAW. Do not burn garbage or flammable fluids such as gasoline, naptha or engine oil.**

SOOT/CREOSOTE: Operation of the stove with insufficient combustion air will result in the formation of soot/creosote which will collect on the glass, the heat exchanger, the exhaust vent system, and may stain the outside of the house. Frequently check your stove and adjust the combustion air trim and/or if necessary adjust the slider/damper as needed to ensure proper combustion. **See: "SLIDER/DAMPER SETTING".**

CLEANING: There will be some build up of fly ash and small amounts of creosote in the exhaust. This will vary due to the ash content of the fuel used and the operation of the stove. It is advisable to inspect and clean the exhaust vent semi-annually or every two tons of pellets. The appliance, flue gas connector and the chimney flue require regular cleaning. Check them for blockage prior to re-lighting after a prolonged shut down period. If a significant layer of creosote has accumulated in the flue (3mm or more) it should be removed to reduce the risk of a chimney fire.

ASHES: Disposed ashes should be placed in a metal container with a tight fitting lid. The closed container of ashes should be on a non-combustible surface, well away from all combustible materials pending final disposal. If the ashes are disposed of by burial in soil or otherwise locally dispensed, they should be retained in the closed container until all cinders have thoroughly cooled.

Safety Decal

This is a copy of the safety label that accompanies each GC60-2. We have printed a copy of the contents here for your reference.

On the GC60-2 the safety label is located on the underside of the hopper lid.

584

Serial No. / No. Du Série:

Model / Modèle: GC60-2

Listed Room Heater, Pelletized Fuel Type (Appareil de chauffage à granules certifié)

Input rating when using the charcoal/direct fire type (Puissance nominale avec le bois/charbon ou les briques de bois directes):

Wood Pellets/Com (Boulettes de bois/Mélangé) - 55,000BTU (16,1KW/h)

Wheat/Berley (Blé/Orges) - 53,000BTU (15,5KW/h)

Solid Fuel Room Heaters / Identité Come Un Foyer A Combustible Solide: ULC S627 & ORD 1482

UL Listed For Mobile Home Installation (Accepté pour l'installation dans une maison mobile, test)

Administrative rules: 814-23-900 through 814-23-909 install, and use only in accordance with the manufacturer's installation and operating instructions. Contact local building or fire officials about restrictions and installation inspection in your area. Do not connect this unit to a chimney flue serving another appliance. See local building code and manufacturer's instructions for precautions required for passing a chimney through a combustible wall or ceiling. ELECTRICAL RATING: 120 Volts, 60Hz, 4.2 Amps. Route Cord/Away From Heater.

For use with pelletized solid fuels - wood, corn, wheat, & barley only. Operate only with viewing door and ash removal door closed. Only replace glass with ceramic glass. Components required for installation: a 4inch (100 mm) listed PL or L vent, complete with components.

Call, appoint a été testé et certifié pour utilisation dans les maisons mobiles en accord avec les Règles Administratives de l'Oregon 814-23-900 à 814-23-909. Installez et utilisez cet appareil seulement selon les instructions d'installation et d'opération du fabricant. Contactez les autorités locales de votre quartier concernant les restrictions et les inspections d'installation. Consultez les codes de bâtiment locaux et les instructions du fabricant pour les préparations à prendre lorsque une cheminée doit être installée au travers d'un mur ou un plafond combustible. CLASSEMENT ÉLECTRIQUE: 120 Volts, 60 Hz, 4,2 Amps. Placez le câble électrique loin de la cheminée. Utilisez un conduit en bois, le bois, le blé, & l'orge seulement. Utilisez seulement lorsque les portes avant et la porte du réceptacle de cendre sont fermées. Si une ou des vitres doivent être remplacées, utilisez seulement du verre céramique. Les composantes requises pour l'installation sont un évent PL ou L certifié de 4in/100mm avec ses composantes.

Installed as a freestanding stove - conventional or mobile home - Minimum Clearance to Combustible Material / Installé comme poêle autoportant - construction normale ou mobile - dégagement minimum par rapport aux matériaux combustibles

A = Sidewall to Unit / Du mur de côté à l'appareil: 9 in. / 230mm
 B = Backwall to Unit / Du mur de derrière à l'appareil: 3 in. / 76 mm
 C = Corner to Unit / Du coin à l'appareil: 3 in. / 76 mm
 D = The unit must be installed with a minimum of 6" (152 mm) of floor protection in front of and to the sides of the door opening.

The pedestal base can be adjusted to the forward position to satisfy this requirement. The unit can be installed on a hard, stable combustible surface. (D - L'unité doit être installée avec protection de plancher devant et au bord de la porte ouvrant avec au moins 6" (152 mm). La base du pedestal peut être réglée vers l'avant pour satisfaire cette condition. L'unité peut être installée sur un dur, la surface combustible stable.)

DATE OF MANUFACTURE / DATE DE FABRICATION: J F M A M J J A S O N D 2022 2023 2024

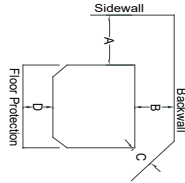
DO NOT REMOVE THIS LABEL / NE RETIREZ PAS CETTE ÉTIQUETTE

Installé as a freestanding stove - conventional or mobile home - Minimum Clearance to Combustible Material / Installé comme poêle autoportant - construction normale ou mobile - dégagement minimum par rapport aux matériaux combustibles

A = Sidewall to Unit / Du mur de côté à l'appareil: 9 in. / 230mm
 B = Backwall to Unit / Du mur de derrière à l'appareil: 3 in. / 76 mm
 C = Corner to Unit / Du coin à l'appareil: 3 in. / 76 mm
 D = The unit must be installed with a minimum of 6" (152 mm) of floor protection in front of and to the sides of the door opening.

The pedestal base can be adjusted to the forward position to satisfy this requirement. The unit can be installed on a hard, stable combustible surface. (D - L'unité doit être installée avec protection de plancher devant et au bord de la porte ouvrant avec au moins 6" (152 mm). La base du pedestal peut être réglée vers l'avant pour satisfaire cette condition. L'unité peut être installée sur un dur, la surface combustible stable.)

CAUTION:
 HOT WHILE IN OPERATION. DO NOT TOUCH. KEEP CHILDREN, CLOTHING AND FURNITURE AWAY. CONTACT MAY CAUSE BURNS. SEE NAMEPLATE AND INSTRUCTIONS.



ATTENTION:
 L'APPAREIL EST CHAUD LORSQU'IL FONCTIONNE. NE PAS TOUCHER, GARDER LES ENFANTS, LES VÊTEMENTS ET LES MEUBLES ÉLOIGNÉS DE L'APPAREIL EN MARCHE. UN CONTACT AVEC CELUI-CI POURRAIT RÉSULTER EN DESSUS BRÛLURES VÉRIABLES. VOIR LA PLAQUE DU FABRICANT ET LES INSTRUCTIONS.

PESTECO REPORT #21-703

MANUFACTURED FOR / FABRIQUÉ POUR: FPI Fireplace, Inc. DELTA, BC CANADA G60-020



Intertek #4401609
 Certified for use in Canada & USA. Refer to Intertek's Directory of Building Products for details and see Intertek's website for more information. For more information, visit www.intertek.com



920-570

To Start Stove: Select fuel type mode, PREMIUM PELLETS for superior quality pellet fuel, ON/OFF button. A small handful of pellets in the burn pot will speed up ignition.

10. Operate Stove: (Requires a thermostat) When the thermostat calls for heat the stove settings are adjustable. When the thermostat contacts open, the HEAT LEVEL and Fans will drop down to the LOW setting contacts close, the unit will light automatically. Once up to temperature the stove settings are adjustable. When the thermostat contacts close, the HEAT LEVEL will return to previous MANUAL setting or if the thermostat contacts remain open the stove begins its shutdown routine and it will restart when the thermostat closes.

10. Turn OFF Stove: MANUAL and HI / LOW mode: Press the ON / OFF button

10. Turn OFF mode: Turn the thermostat down or off.

Pour débrancher le poêle: Choisissez le mode pour le carburant; PREMIUM PELLETS pour le carburant de qualité de supérieur, REGULAR PELLETS pour tous degrés de bouillottes de bois & MULTIFUEL pour tous autres carburants. Appuyez sur le bouton "ON/OFF". Une petite poignée de bouillottes dans le pot de brûlure latérale rallumage.

Pour faire fonctionner le poêle: MODE MANUEL: Lorsque le feu est bien établi, les réglages peuvent être ajustés. MODE HIGH/LOW: (Nécessite un thermostat) Lorsque le thermostat requière de la chaleur, les réglages s'ajustent au réglage "haut". Jusqu'à ce que les contacts du thermostat se ferment, le mode "HAUT" est activé. Lorsque les contacts du thermostat se ferment, les réglages reviennent à leur position précédente. Lorsque les contacts du thermostat ouvrent, le poêle s'allumera aux réglages "LOW" pendant 30 minutes. Si les contacts du thermostat restent fermés, le poêle s'allumera aux réglages "LOW" pendant 30 minutes. Si les contacts du thermostat sont fermés pendant ces 30 minutes, le réglage de niveau de chaleur retournera en réglages "MANUEL" ou si les contacts du thermostat restent ouverts, le poêle entamera le processus d'arrêt et il voudra redémarrer lorsque les contacts du thermostat restent fermés.

Pour éteindre le poêle: MODE MANUEL: Appuyez sur le bouton "ON/OFF".

MODE AUTO / OFF: Réglez le thermostat à la baisse ou débranchez le.

This wood heater needs periodic inspection and repair for proper operation. Consult the owner's manual for further information. Consult the owner's manual for information on how to inspect the heater in order to ensure proper operation. It is against the law to operate this heater in violation of the Environmental Protection Agency's (EPA) standards. Under specific test conditions this heater has been shown to have a particulate emission level of 1.9 g/h.

Ce poêle à granules besoins inspection périodique et la réparation pour un fonctionnement correct. Consultez le manuel d'owner's pour plus d'informations. Consultez le manuel d'owner's pour plus d'informations sur comment inspecter le chauffage de votre poêle pour assurer son bon fonctionnement. Il est contraire à la loi de faire fonctionner ce poêle dans des conditions de test spécifiques, ce poêle répond aux normes limites d'émission de l'Environmental Protection Agency des États-Unis. On a démontré que ce poêle a un niveau d'émission de particules de 1,9 g/h.

Safety Warnings & Recommendations

ELECTRICAL: The use of a surge protected power bar is highly recommended. The unit must be grounded. The grounded electrical cord should be connected to a standard 110-120 volts (4.2 Amps), 60 hertz electrical outlet and also must be accessible. If this power cord should become damaged, a replacement power cord must be purchased from the manufacturer or a qualified Hampton dealer. Be careful that the electrical cord is not trapped under the appliance and that it is clear of any hot surfaces or sharp edges. This unit's maximum power requirement is 504 watts.

When installing the stove in a mobile home, it must be electrically grounded to the steel chassis of the home and bolted to the floor.

GLASS: Do not abuse the glass by striking or slamming the door. Do not attempt to operate the stove with broken glass. The stove uses ceramic glass. Replacement glass must be purchased from an Hampton dealer. Do not attempt to open the door and clean the glass while the unit is in operation or if glass is hot. To clean the glass, use a soft cotton cloth and mild window cleaner, gas or wood stove glass cleaner, or take a damp paper towel and dip into the fly ash. This is a very mild abrasive and will not damage the glass. Do not use polishing compounds or abrasive cleaners.

KEEP ASH PAN FREE OF RAW FUEL. DO NOT PLACE UNBURNED OR NEW PELLET FUEL IN ASH PAN. A fire in the ash pan may occur.

INSTALLATION: Contact your local building or fire official to obtain a permit and any information on installation restrictions and inspection requirements for your area.

Be sure to maintain the structural integrity of your home when passing a vent through walls, ceilings, or roofs, and all construction meets local building codes. It is recommended that the unit be secured into its position in order to avoid any displacement. This appliance must be installed on a floor with an adequate load bearing capacity, if existing construction doesn't meet load capacity, suitable measures (e.g. load distributing plate) must be taken to achieve it.

DO NOT INSTALL A FLUE DAMPER IN THE EXHAUST VENTING SYSTEM OF THIS UNIT.

DO NOT CONNECT THIS UNIT TO A CHIMNEY FLUE SERVING ANOTHER APPLIANCE.

FRESH AIR: This unit uses large quantities of air for combustion; outside Fresh Air connection is **strongly** recommended. Fresh Air **must** be connected to all units installed in Mobile and "Air Tight Homes" (R2000) or where required by local codes.

Consider all large air moving devices or any other appliance which may compete for fresh air when installing the unit and provide room air accordingly. NOTE: Extractor fans when operating in the same room or space as the appliance may cause problems. Limited air for combustion may result in poor performance, smoking and other side effects of poor combustion.

The stove's exhaust system works with negative combustion chamber pressure and a slightly positive chimney pressure. It is very important to ensure that the exhaust system be sealed and airtight. The ash pan and viewing door must be locked securely for proper and safe operation of the pellet stove.

Do not burn with insufficient combustion air. A periodic check is recommended to ensure proper combustion air is admitted to the combustion chamber. Setting the proper combustion air is achieved by adjusting the slider damper located on the left side of the stove.

Soot or creosote may accumulate when the stove is operated under incorrect conditions such as a rich burn (black tipped, lazy orange flames).

If you have any questions with regards to your stove or the above-mentioned information, please feel free to contact your local dealer for further clarification and comments.

SINCE REGENCY FIREPLACE PRODUCTS LTD. HAS NO CONTROL OVER THE INSTALLATION OF YOUR STOVE, REGENCY FIREPLACE PRODUCTS LTD. GRANTS NO WARRANTY IMPLIED OR STATED FOR THE INSTALLATION OR MAINTENANCE OF YOUR STOVE. THEREFORE, REGENCY FIREPLACE PRODUCTS LTD. ASSUMES NO RESPONSIBILITY FOR ANY CONSEQUENTIAL DAMAGE(S).

SAVE THIS INSTRUCTION MANUAL FOR FUTURE REFERENCE.

Specifications

DIMENSIONS:

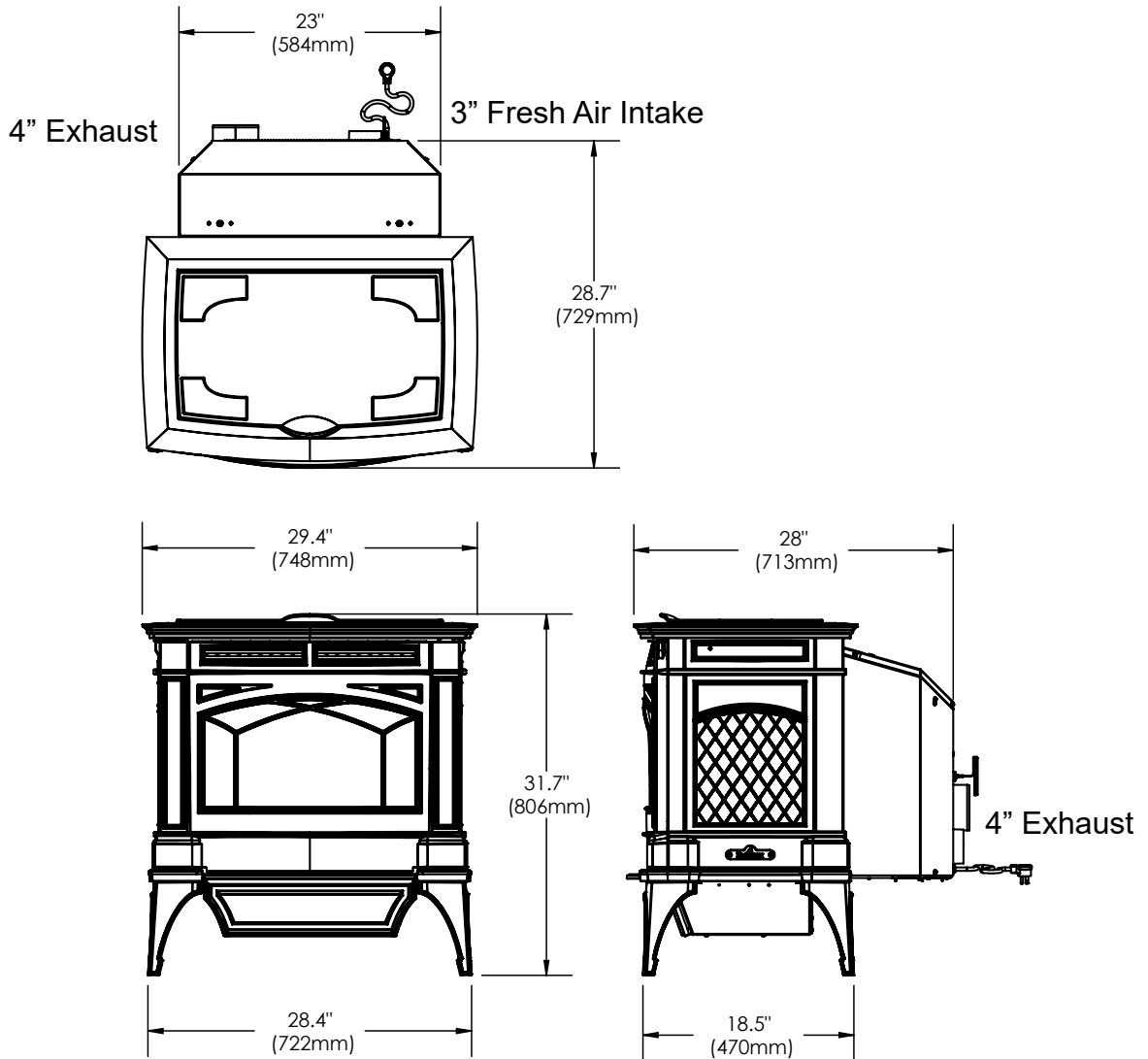


Figure 1: Dimensions of GC60-2.

SPECIFICATIONS:

Input rating when using: Wood Pellets/Corn - 55,000BTU (16.1KW•hr) & Wheat/Barley - 53,000BTU (15.5KW•hr).

Table 1: GC60-2 Specifications.

Description	Fuel type	
Residential Pellet Heater	6mm (¼") dia. Pellets - wood, corn, wheat, & barley*	
Voltage	Current	Max Power
110 - 120 V	4.2 Amps	504 Watts
Frequency	Hopper Capacity	Consumption on Low
60 Hz	up to 60 lb (36.3 Kg)	1.5 lb/hr (0.68 Kg/hr)*
Testing Standard	Weight (with full hopper)	Consumption on High
ASTM 1509-04	504 lb (229 Kg)	6.5 lb/hr (2.95 Kg/hr)*

*Note: Consumption will vary with the type and quality of pellets / fuel used.

Operating Instructions

CONTROL BOARD FUNCTIONS:

Note: The Control Panel is located underneath the units Cast Hopper Lid which is attached to a safety switch that will immediately stop the auger. The switch will stop operation of the stove and display a #4 flash code if the lid is not closed within two minutes.

Starting a Fire in Your Pellet Stove



- 1. ON/OFF BUTTON:** Used to turn the unit ON and OFF manually.
- 2. HEAT OUTPUT INDICATOR:** Shows the present Heat Level output setting and the Feed Trim while it is being adjusted.
- 3. THERMOSTAT SWITCH:** Sets the unit's control mode; AUTO/OFF or HIGH/LOW (when using a Thermostat or Timer) or MANUAL.
- 4. FUEL TYPE LIGHTS:** Shows the present Fuel Type selected; Premium Wood Pellets are Red, Regular Wood Pellets are Green, and Low Grade Wood Pellets / Multi-Fuel Pellets is Yellow. The Light flashes during start-up, and when the Thermostat is in control of the Unit. The Light stops flashing when the Exhaust Sensor closes.

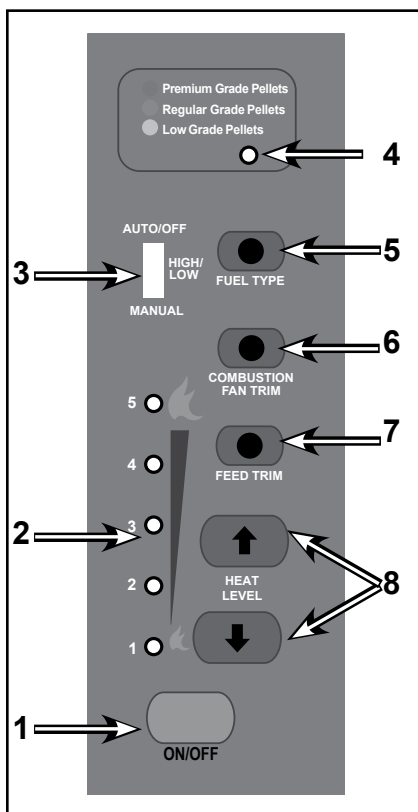


Figure 2: Circuit Board Control Panel Decal

- 5. FUEL TYPE BUTTON:** Used to switch between three fuel type modes: Premium Pellets for high grade wood pellets, Regular pellet for mid grade wood pellets, and Low Grade for low grade wood pellets and other pellet fuel types (corn, wheat, barley).
- 6. COMBUSTION FAN TRIM BUTTON:** Increases or Decreases the Fan voltage by 2.5volts on all feed settings. When pressed all lights on Heat Level Indicator will come on except the one that is the set point. Hold Trim Button down and press the UP or DOWN Heat Level Arrow to adjust setting. #3 Light is the default setting.
Depending on Fuel quality Ignition problems may occur at higher altitudes, this can be resolved by trimming the Combustion Fan to a higher setting.
- 7. FEED TRIM BUTTON:** Used in conjunction with the Heat Level Adjustment Buttons to adjust the Feed Trim. It can be increased by two (2) feed settings or it can be decreased by two (2) feed settings. #3 Light is the default setting.
- 8. HEAT LEVEL ADJUSTMENT BUTTONS:** Changes the Heat Setting of the Unit from LO to HIGH. Press the Arrow Up button to increase Heat, and Arrow Down to decrease Heat.

AUTOMATIC SAFETY FEATURES OF YOUR PELLET STOVE:

- A. EXHAUST TEMPERATURE SWITCH:** The stove will shut off when the fire goes out and the exhaust temperature drops below 49°C (120°F). It will display a #3 flash code.
- B. HIGH LIMIT SAFETY SWITCH:** If the temperature on the hopper reaches 93°C (200°F), the auger will automatically stop, the stove will shut down, and it will display a #4 flash code. If this happens, call your local dealer to reset the 93°C (200°F) high limit switch **AND DETERMINE THE CAUSE OF THE OVERHEATING.**
- C. VACUUM SWITCH:** Notifies when the unit has lost vacuum. This can be caused by either a combustion fan/vent failure, or simply the unit's outer door, pedestal door. It will display a #2 flash code.

Operating Instructions

OPERATING YOUR PELLET STOVE:

THE UNIT WILL NOT OPERATE WITH THE DOOR OR ASH BOX OPEN. Open the hopper lid only to re-fuel or to adjust the controls. The unit will shut down if the hopper lid is left open for longer than two minutes.

CAUTION: When operating during adverse weather, such as high winds or freezing rain, if the unit exhibits dramatic changes in combustion stop using the unit immediately. Watch for blocked exhaust outlet.

PRE-BURN CHECK: The burn pot liner holes must be clear and the liner installed properly against the ignitor tube and locked in place. Check the hopper for enough pellets to start the unit.

Note: To change fuel type, ensure the Thermostat Switch is set to Manual Mode. Press the Off button and then press the Fuel Type button to cycle through the available fuel types.

The unit has an automatic cleaning cycle; every thirty (30) minutes the agitator will turn continuously for one (1) minute to help clean out the burn pot liner.

MANUAL MODE:

All control of circuit board function is adjusted at the circuit board.

INITIAL START-UP: Press the ON / OFF button. The stove will turn on. The Fuel Type Light will flash (the Auger Feed Rate is pre-programmed during start-up). The Heat Level Indicator will show the Heat Level that the stove will run at after start-up.

If this is the first time the unit has been started or the unit has run out of fuel, the auger may need to be primed. If there is no fuel in the burn pot after two (2) minutes the liner can be primed with a handful of pellets .

The agitator will not operate for the first ten (10) minute after the ON button has been pressed. After the ten (10) minutes it will pulse at the same interval as the feed auger.

When the start-up sequence is complete the unit will ramp up in two (2) minute intervals until it has reached the designated heat setting.

Once a fire has been established, the convection blower will turn on after ten (10) minutes.

To OPERATE: Press the Heat Level buttons to change the desired Heat Level Output setting.

The speed of the convection blower is controlled by the setting of the heat level.

The Feed Trim button pressed in conjunction with the Heat Level adjustment buttons can be used to adjust the feed trim. It can be increased by two (2) feed settings or it can be decreased by two (2) feed settings.

HIGH/LOW MODE: (Requires a Thermostat or Timer)



Starting a Fire in
Your Pellet Stove

INITIAL START-UP: See MANUAL MODE above.

OPERATION: When the thermostat calls for heat (contacts are closed) the stove settings are adjustable as per Manual Mode. When the thermostat contacts open, the HEAT LEVEL and Fans will drop down to the LOW setting until the thermostat contacts close again. The stove will come back to the previous HEAT LEVEL setting once the thermostat contacts close.

AUTO/OFF MODE: (Requires a Thermostat or Timer)

INITIAL START-UP: See MANUAL MODE above.

OPERATION: When the thermostat contacts close, the unit will light automatically. Once up to temperature, the stove operates the same as in MANUAL. When the thermostat contacts open, the stove's HEAT LEVEL and Fans will drop down to the LOW setting for 30 minutes. If the thermostat contacts close within the 30 minutes, the HEAT LEVEL will return to the previous MANUAL setting. If the thermostat contacts remain open, the stove automatically begins its shutdown routine. The stove will re-light when the thermostat contacts close again.

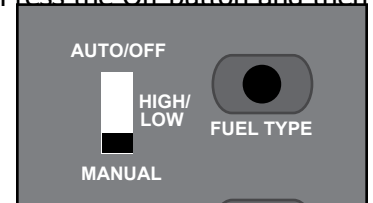


Figure 3: Thermostat Switch in MANUAL position.

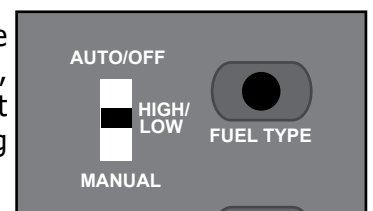


Figure 4: Thermostat Switch in HIGH/LOW position.

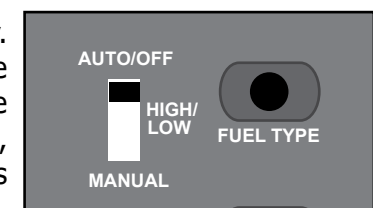


Figure 5: Thermostat Switch in AUTO/OFF position.

Operating Instructions

TURNING YOUR PELLET STOVE OFF:

- MANUAL and HI / LOW mode: To turn the unit OFF, simply press the ON / OFF button. This will stop the feed of pellets. The blowers will continue to operate and cool the stove down. When cool enough, the stove will turn off.
- AUTO / OFF mode: To turn the unit OFF, turn the Thermostat down or Timer off.
- On shut down the burn pot agitator will run continuously for five (5) minutes on premium mode, one (1) minute on regular mode, and five (5) minutes on low grade / multi-fuel Pellet mode.

DO NOT turn unit off during start-up or unplug unit while operating; this may lead to smoke escaping from the stove.

SLIDER/DAMPER SET-UP:

This is used to regulate the airflow through the pellet stove and has been set at the factory.

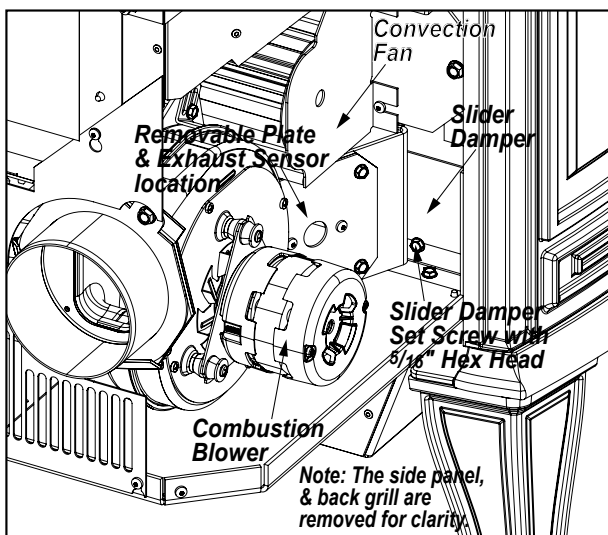


Figure 6: Slider/Damper Plate in Unit.



Figure 7: Efficient Flame.

This unit is designed to operate within a negative pressure range that may only be adjusted by a qualified technician. This can be measured using a Magnahelic pressure gauge once the unit has been running on heat level 5 setting after one hour of burn time. This adjustment is necessary for varying venting configurations. The reading can be taken from the 1/8" hole located on the right side of the Ash Box.

The Combustion Trim, Feed Trim and Fuel Type Functions can be used to compensate for varying fuel qualities. Refer to the Owners Manual for circuit board operation.

If, after long periods of burning, the fire builds up or there is a build up of clinkers, this would be a sign that the fuel quality is poor - this requires more air.

The easiest way to make sure that an efficient flame is achieved is to understand the characteristics of the fire.

- A tall, lazy flame with dark orange tips requires more air.
- A short, brisk flame, like a blowtorch, has too much air .
- If the flame is in the middle of these two characteristics with a bright yellow/orange, active flame with no black tips then the air is set for proper operation, refer to Figure 7.

SPECIAL NOTES:

Fuel quality is a major factor in how the stove will operate. If the fuel has a high moisture content or ash content the fire will be less efficient and has a higher possibility of the fire building up and creating clinkers (hard ash build-up).

Routine Cleaning and Maintenance

The following list of components should be inspected and maintained routinely to ensure that the appliance is operating at its optimum and giving you excellent heat value. The appliance, flue gas connector and the chimney flue require regular cleaning. Check them for blockage prior to re-lighting after a prolonged shut down period.

Check the Burn Pot Liner DAILY	
Weekly	Bi-annually or 2 Tons of Fuel
Burn Pot and Liner - Empty	Exhaust Vent
Agitator	Fresh Air Intake Tube
Heat Exchanger Tubes	Blower Mechanisms
Door Glass	Heat Exchanger Tubes
Ash Pan and Door Gaskets	Behind Firebox Liners
Inside Firebox	All Hinges
Door Latch	Post Season Clean-up
Ash Box	
Cleaning Ports	

TOOLS REQUIRED TO CLEAN UNIT:

Torx T-20 Screwdriver, 1/4", 5/16" 3/8", & 7/16" wrench and/or socket, Brush, Soft Cloth, and Vacuum with fine filter bag



Cleaning Your Pellet Stove

IMPORTANT : The purchaser is responsible for the annual maintenance of the appliance, as outlined in the owner's manual. The warranty may be voided due to problems caused by a lack of maintenance. Records/receipts of all maintenance completed by service companies must be kept in case asked for if there is warranty on the product.

BURNER POT AND LINER (Checked Daily/Emptied Weekly)

This is the 'pot' where the pellets are burned. **Only clean when the unit is cold.**

Note: If, after long periods of burning, the fire continually builds up and overflows the burn pot or there is a build up of clinkers, this is an indication that the pellet fuel quality is poor or the stove may need cleaning. Check the stove for ash build up (clean if required) and adjust the combustion air trim and if required the slider/damper to produce the proper clean combustion.

1. Open the door using the door handle located on the right-hand side of the stove.
2. Lift the lever on burn pot to unlock the fire grate and remove it.
3. The agitator locks at the right; rotate the top of the agitator towards the back of the firebox to unlock it, slide it to the left, and lift it out of the burn pot liner.
4. Lift the burn pot liner out of the stove.
5. Lift the burn pot from the firebox by gently lifting it up at the front of the burn pot, then slide it out from around the air intake tube and the ignitor cartridge.
6. Remove any build up on the agitator (calcium build-ups are common when burning corn). Using a metal scrapper, remove material that has accumulated or is clogging the liner's holes. Then dispose of the scrapped ashes from the liner and from inside the burn-pot.
7. Place the burn-pot back into the stove, there are hooks at the front of the burn pot that sit in a mount in the firebox. Ensure that the air intake tube and the ignitor cartridge. are properly inserted into the burn pot.
8. Place the liner back into the burn-pot, making sure that the ignitor hole in the liner is aligned with the ignitor tube; push the liner up against the ignitor tube.
9. Slide the agitator back into place and turn rotate the top towards the front of the stove to lock it in.

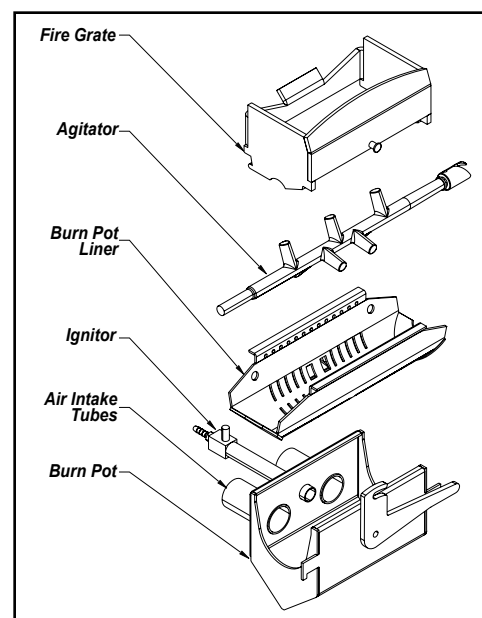


Figure 8: GC60-2 Burn Pot Assembly

Routine Cleaning and Maintenance

10. Set the fire grate in place, it should sit level on the front and back of the burn pot liner. Lock it in with the lever on the burn pot.
11. Close the door.

HEAT EXCHANGER TUBES (Weekly)

The Heat Exchanger Tube's Cleaning Rake Handle is located above the firebox door. Move the handle all the way in and out a few times (ONLY WHEN THE UNIT IS COLD) in order to clean away any fly ash that may have collected on the heat exchanger tubes.

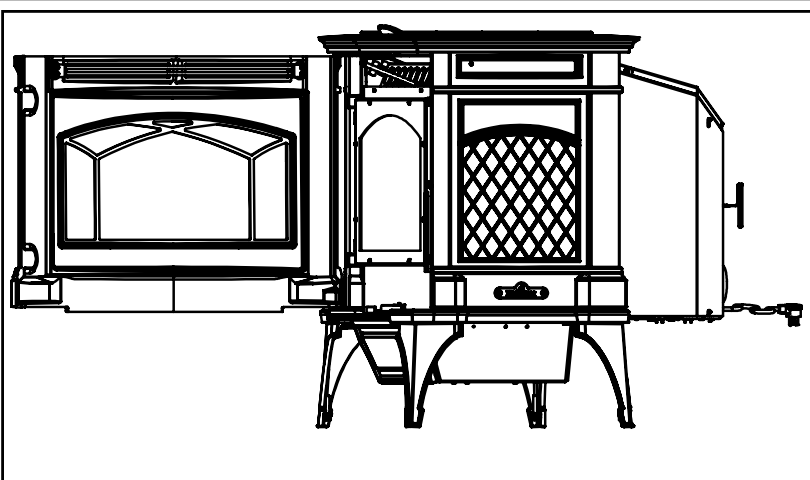


Figure 9: GC60-2 Heat Exchanger Cleaning

As different types of pellets produce different amounts of ash, cleaning of the tubes should be done on a regular basis to enable the unit to run efficiently.

DOOR GLASS CLEANING (Weekly)

It is recommended that the door glass be cleaned weekly to keep creosote/soot levels to a minimum. Cleaning of the glass must only be done when stove is cold. Open the door by lifting the handle. The glass can be cleaned by wiping down the outside and inside of the glass with a dry soft cloth.

If the glass has build up that can not be removed with only the cloth, clean the glass using paper towel and a gas appliance glass cleaner, this may be purchased through most dealers. If a gas appliance glass cleaner is not available, use a damp paper towel dipped in fly ash to clean the glass. After the glass has been cleaned use the dry soft cloth to wipe down the outside and inside of the glass.

ASH PAN AND DOOR GASKETS (Weekly)

After extended use the gasketing may come loose. To repair this, glue the gasketing on using high-temperature fiberglass gasket glue available from your local dealer. This is important to maintain an airtight assembly.

ASH BOX (Weekly)

IMPORTANT: The unit must be OFF while the ash pan is removed.

The ash box is located behind the lower door (see Figure 10). To remove the ash box, lift the latch on the right, open the ash box door, and lift it out.

Dump the ashes into a metal container stored away from combustibles. Monitor the ash level every week. Remember that different pellet fuels will have different ash contents. Ash content is a good indication of fuel efficiency and quality. Refer to "SAFETY WARNINGS AND RECOMMENDATIONS" for disposal of ashes. Vacuum the inside of the ash pan compartment inside the pedestal including the hole at the top back of the compartment. Insert the ash box until it makes contact with the ash box stop.

DO NOT PLACE UNBURNED OR RAW PELLET FUEL IN ASH PAN.

EXHAUST VENT (Biannually)

This vent should be cleaned every year or after two tons of pellets. We recommend contacting your dealer for professional cleaning. To clean the vent pipe, tap lightly on the pipe to dislodge any loose ash. Open the bottom of the "T" to dump the ash, then vacuum as much of the ash out of the vent pipe as possible.

FRESH AIR INTAKE (Biannually)

Inspect periodically to be sure that it is not clogged with any foreign materials.

Cleaning Your Pellet Stove



Routine Cleaning and Maintenance

EXHAUST PASSAGES (Biannually)

1. Open the firebox door by lifting the handle.
2. Remove the burn pot assembly and clean all the parts.
3. Lubricate all screws with penetrating oil.
4. Lift the baffle, remove the firebox liner, and lift out the firebox lower. Vacuum the firebox and firebox liner thoroughly.
5. Open the ash box door; remove the ash box and cleanout the cavity.
6. Re-install the ash box, firebox lower, baffle, firebox liner, burn pot, and burn pot liner
7. Close the firebox and ash pan doors and secure.

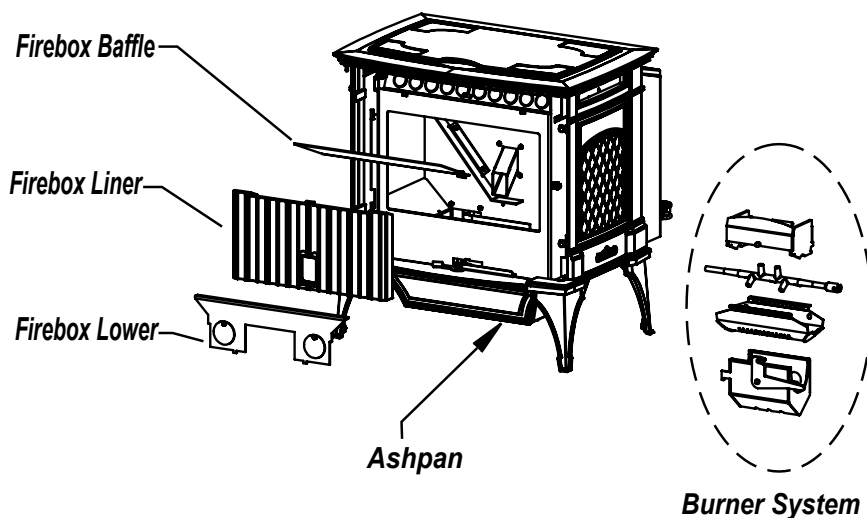


Figure 10: GC60-2 Exhaust Passages

BLOWER MECHANISMS (Annually)

Unplug the stove then open the right and left side panels to access the two blowers. Remove the T-20 torx Screws located on the top and bottom of the rear access panels. Vacuum all dust from motors. The blower motors has sealed bearings, DO NOT lubricate this motor. Check gaskets and replace if needed.

POST SEASON CLEAN-UP

Once you are finished using the pellet appliance for the season, unplug the stove for added electrical protection. It is very important that the stove be cleaned and serviced as stated above.

CLEANING PAINTED SURFACES

Please clean surfaces with a soft damp cloth.

CLEANING ENAMEL SURFACES

Enamel Finishes and painted surfaces can be wiped down with a soft damp cloth. Wd/40 oil can be used to clean enameled casting if necessary.

FIREBOX LINER

The paint on the Firebox Liner may peel. This is due to extreme conditions applied to the paint and is in no way covered by warranty.

DOOR GLASS REPLACEMENT

It is recommended that your dealer replace the glass if broken. The door glass (part# GC60-024) is made of high temperature PYRO CERAMIC and must be purchased through your dealer. To replace the glass, unscrew and remove the six (6) retainer nuts using a $\frac{5}{16}$ " socket. Remove the glass and any broken pieces. High temperature fiberglass tape should be used around the glass in the same location as the original fiberglass. Insert the glass into the retainer, screw the door to the retainer, and gently tighten nuts. Ensure that edge clearances are maintained. The use of substitute materials is prohibited.



Cleaning Your Pellet Stove

WARRANTY

Indoor Pellet Product Warranty

Limited Lifetime Warranty

FPI Fireplace Products International Ltd. (for Canadian customers) and Fireplace Products US, Inc. (for US customers) (collectively referred to herein as “FPI”) extends this Limited Lifetime Warranty to the original purchaser of this Appliance provided the product remains in the original place of installation. The items covered by this Limited Lifetime Warranty and the period of such coverage are set forth in the table below.

*The term “Limited Lifetime” in the table below is defined as **7 years** beginning the date when the Appliance was purchased. The "Limited Lifetime" warranty coverage period (**7 years**) reflects the minimum expected useful life of the designated Appliance or component under normal operating conditions. Some conditions apply (see below).

An Appliance in this policy is defined as an Indoor Pellet stove and Pellet insert.

This Appliance has only been certified and listed for use indoors.

This Limited Lifetime Warranty starts on the day the Appliance was purchased.

The Limited Lifetime Warranty is not transferable, amendable or negotiable under any circumstances.

Indoor Pellet Products Warranty Coverage for Components and labor is as follows:	Limited Lifetime Component Coverage 7 years	2 years	Subsidized Labour Coverage (Years)**
*Firebox/Heat exchanger	✓		2
*Surrounds, castings, door assembly.	✓		2
*Burn Pot, Log sets, Firebox panels,	✓		2
*Ceramic Glass (Thermal Breakage)	✓		2
*Pedestals, legs	✓		2
Burn Pot Liner		✓	2
Agitator		✓	2
Auger Motor, Combustion blower, Convection blower		✓	2
Wiring, all switches, Wiring harness, Powercords		✓	2
Circuit boards, Circuit board ribbon cable		✓	2
Vacuum switch, Ignitor, Air pump, Temperature sensors, Wall thermostat		✓	2
Auger		✓	2
Circuit Board Decals		✓	
Hopper Rails/ Baffle		✓	2

Note: Warranty coverage noted above may not be applicable as components/options vary based on appliance purchased.

Conditions:

Warranty protects against defect in manufacture or FPI factory-assembled components only, unless herein specified otherwise.

****This warranty does not cover dealer travel costs, mileage, fuel, tolls for diagnostic or service work. All labor rates paid to authorized dealers are subsidized, pre-determined rates. Dealers may charge you for travel and additional time beyond their subsidy.**

Any part(s) found to be defective during the warranty period as outlined above will be repaired or replaced at FPI’s option through an accredited distributor, dealer or pre-approved and assigned agent provided that the defective part is returned to the distributor, dealer or agent for inspection if requested by FPI. Alternatively, FPI

WARRANTY

may, at its own discretion, fully discharge all of its obligations under warranty by refunding the verified purchase price of the product to the original purchaser. The purchase price must be confirmed by the original Bill of Sale.

The authorized selling dealer, or an alternative authorized FPI dealer if pre-approved by FPI, is responsible for all in-field diagnosis and service work related to all warranty claims. FPI is not responsible for results or costs of workmanship of unauthorized FPI dealers or agents in the negligence of their service work.

At all times, FPI reserves the right to inspect reported in the field/on location complaints of products claimed to be defective before processing or authorizing any claim. Failure to allow this upon request will void the warranty.

All warranty claims must be submitted by the dealer servicing the claim, including a copy of the Bill of Sale (proof of purchase by you). All claims must be complete and provide full details as requested by FPI to receive consideration for evaluation. **Incomplete claims may be rejected.**

Replacement Appliances to the original purchaser are limited to one per warranty term.

The Appliance must be installed according to all manufacturers' instructions as per the manual.

All Local and National required codes must be met.

The installer is responsible for ensuring the Appliance is operating as designed at the time of installation.

The original purchaser is responsible for the annual maintenance of the Appliance, as outlined in the owner's manual. As outlined below, the warranty may be voided due to problems caused by a lack of maintenance.

If freight damage has been found either externally or internally, the dealer must be informed within 3 days. All claims as a result of damage must be submitted by the dealer servicing the claim, including a copy of the Bill of Sale (proof of purchase). All claims must be complete and provide full details as requested by FPI to receive consideration for evaluation. **Incomplete claims may be rejected.**

As this is a **7-year** Limited Lifetime Warranty, if the Appliance needs to be replaced, the Appliance that was purchased at the time of sale might not be replaced with exactly the same model Appliance. In that case, FPI will replace your Appliance with one that is similar at the time of replacement under the terms of this Limited Lifetime Warranty, but **ONLY** in the event that an item covered by the Limited Lifetime Warranty is found to be defective. Please refer to the table on first page of this warranty for items covered by the Limited Lifetime Warranty. Product changes might be the result of the original Appliance being discontinued, changes in regulatory requirements, product advancements, etc., which are beyond the control of FPI. **This Limited Lifetime Warranty does not cover any installation costs, or costs associated with changes of required clearances for the replacement Appliance, hearth pads, mantles, facing and/or facing materials such as framing, completed walls made of drywall, wood, non-combustible board, tile, brick, stone, marble etc., venting/chimney systems, or components of the chimney system.**

If a suitable replacement is not available, FPI will refund **50%** of the purchase price of the Appliance and any applicable FPI accessories (faceplates, brick panels, media, etc.) purchased at the time of sale. **In no event will FPI refund any portion of the purchase price of, or reimburse costs associated with, any other items, including without limitation, installation of a new Appliance, changes of required clearances for a new Appliance, hearth pads, mantles, facing and/or facing materials such as framing, completed walls made of drywall, wood, non-combustible board, tile, brick, stone, marble etc., venting/chimney systems, or components of the chimney system. A copy of the receipt or bill of sale will be necessary to validate the purchase price.**

Purchased parts: Repair/replacement parts purchased by the consumer from FPI after the original coverage has expired on the Appliance will carry a **90-day** warranty from the purchase date, valid with a receipt only. Any item shown to be defective will be repaired or replaced at our discretion. No labor coverage is included with these parts.

Exclusions:

This Limited Lifetime Warranty does not extend to paint, rust or corrosion of any kind due to a lack of maintenance or improper venting, combustion air provision, corrosive chemicals (i.e. chlorine, salt, air, etc.), inner panels, door or glass gasketing, or any other additional factory fitted gasketing, color fading, carbon/sooting of the log sets due to use.

Malfunction, damage or performance based issues as a result of environmental conditions, location, chemical damages, downdrafts, installation error, an installation by an unqualified installer, incorrect chimney components (including but not limited to cap size or type), operator error, abuse, misuse, use of improper fuels (plastics, garbage, solvents,

WARRANTY

cardboard, coal or coal products, oil-based products, waxed cartons, compressed pre-manufactured logs), lack of regular maintenance and upkeep, acts of God, weather-related problems from hurricanes, tornados, earthquakes, floods, lightning strikes/bolts or acts of terrorism or war, which result in a malfunction of the Appliance are not covered under the terms of this Limited Lifetime Warranty.

FPI has no obligation to enhance or modify any Appliance once manufactured (i.e. as products evolve, field modifications or upgrades will not be performed on existing Appliances).

This warranty does not cover dealer travel costs, mileage, fuel, tolls for diagnostic or service work. All labor rates paid to authorized dealers are subsidized, pre-determined rates. Dealers may charge you for travel and additional time beyond their subsidy.

Any Appliance showing signs of neglect or misuse will not be covered under the terms of this warranty policy and may void this warranty, including Appliances with rusted or corroded fireboxes that have not been reported as rusted or corroded within **three (3)** months of installation/purchase.

Appliances which show evidence of being operated while damaged, or with problems known to the purchaser and causing further damages will void this warranty.

Appliances where the serial no. has been altered, deleted, removed or made illegible will void this warranty.

Minor movement, expansion and contraction of the steel is normal and is not covered under the terms of this warranty.

Freight damages for products or parts are not covered under the terms of this warranty.

Products made or provided by other manufacturers and used in conjunction with the FPI Appliance without prior authorization from FPI may void this warranty.

Limitations of Liability:

The original purchaser's exclusive remedy under this warranty, and FPI's sole obligation under this Limited Lifetime Warranty, express or implied, in contract or in tort, shall be limited to replacement, repair, or refund, as outlined above. IN NO EVENT WILL FPI BE LIABLE UNDER THIS WARRANTY FOR ANY INCIDENTAL OR CONSEQUENTIAL COMMERCIAL DAMAGES OR DAMAGES TO PROPERTY. TO THE EXTENT PERMITTED BY APPLICABLE LAW, FPI MAKES NO EXPRESS WARRANTIES OTHER THAN THE WARRANTY SPECIFIED HEREIN. THE DURATION OF ANY IMPLIED WARRANTY IS LIMITED TO DURATION OF THE EXPRESSED WARRANTY SPECIFIED ABOVE. IF IMPLIED WARRANTIES CANNOT BE DISCLAIMED, THEN SUCH WARRANTIES ARE LIMITED IN DURATION TO THE DURATION OF THIS WARRANTY.

Some US states do not allow limitations on how long an implied warranty lasts, or allow exclusion or limitation of incidental or consequential damages, so the above limitations or exclusions may not apply to you.

Customers located outside the US should consult their local, provincial or national legal codes for additional terms which may apply to this warranty.

How to Obtain Warranty Service:

Customers should contact the authorized selling dealer to obtain warranty service. In the event the authorized selling dealer is unable to provide warranty service, please contact FPI by mail at the address listed below. Please include a brief description of the problem and your address, email and telephone contact information. A representative will contact you to make arrangements for an inspection and/or warranty service.

Canadian Warrantor:

**FPI Fireplace Products
International Ltd.**
6988 Venture St. Delta,
British Columbia Canada,
V4G 1H4

US Warrantor:

Fireplace Products U.S., Inc.
PO Box 2189 PMB 125
Blaine, WA
United States, 98231

WARRANTY

Or contact the Regency Customer Care Centre at 1-800-442-7432 (phone) / 604-946-4349 (fax)
/customerservice@regency-fire.com (e-mail)

Product Registration and Customer Support:

Thank you for choosing a Regency Fireplace. Regency strives to be a world leader in the design, manufacture, and marketing of hearth products. To provide the best support for your product, we request that you complete a product registration form at <http://www.regency-fire.com/Customer-Care/Warranty-Registration.aspx> within **ninety (90)** days of purchase.

WARRANTY

Warranty Registration Card



Product Registration and Customer Support:

Thank you for choosing a Regency Fireplace. Regency strives to be a world leader in the design, manufacture, and marketing of hearth products. To provide the best support for your product, we request that you complete a product registration form found on our Web Site under Customer Care within ninety (90) days of purchase.

For purchases made in **CANADA or the UNITED STATES:**

<http://www.regency-fire.com/Customer-Care/Warranty-Registration.aspx>

For purchases made in AUSTRALIA:

<http://www.regency-fire.com.au/Customer-Care/Warranty-Registration.aspx>

You may also complete the warranty registration form below to register your Regency Fireplace Product and mail and/or fax it back to us, and we will register the warranty for you. It is important you provide us with all the information below in order for us to serve you better.

Warranty Registration Form (or Register online immediately at the above Web Site):

Warranty Details	
Serial Number (required):	
Purchase Date (required) (mm/dd/yyyy):	
Product Details	
Product Model (required):	
Dealer Details	
Dealer Name (required):	
Dealer Address:	
Dealer Phone #:	
Installer:	
Date Installed (mm/dd/yyyy):	
Your Contact Details (required)	
Name:	
Address:	
Phone:	
Email:	

For purchases made in CANADA:

FPI Fireplace Products International Ltd.
6988 Venture St.
Delta, British Columbia
Canada, V4G 1H4

Phone: 604-946-5155
Fax: 1-866-393-2806

For purchases made in the UNITED STATES:

Fireplace Products US, Inc.
PO Box 2189 PMB 125
Blaine, WA
United States, 98231

Phone: 604-946-5155
Fax: 1-866-393-2806

For purchases made in AUSTRALIA:

Fireplace Products Australia Pty Ltd
99 Colemans Road
Dandenong South, Vic.
Australia, 3175

Phone: +61 3 9799 7277
Fax: +61 3 9799 7822

For fireplace care and tips and answers to most common questions please visit our Customer Care section on our Web Site. Please feel free to contact your selling dealer if you have any questions about your Regency product.

recycling

PRODUCT LIFE CYCLE:

By recycling your used appliances, you divert waste from your local landfills and help the environment. You also reduce the need for raw materials to manufacture new products. Contact your local municipality for appliance recycling services, local recycling programs, or appliance removal services to ensure your Regency appliance components, and packaging are properly recycled.

Installer: Please complete the following information

Dealer Name & Address: _____

Installer: _____

Phone #: _____

Date Installed: _____

Serial #: _____