

Grandview® G800EC Gas Fireplace

Owners & Installation Manual

MODEL: G800EC
Medium DV Gas Fireplace



www.regency-fire.com

⚠ Warning
Fire or Explosion Hazard
Failure to follow safety warnings exactly could result in serious injury, death, or property damage.

Do not store or use gasoline or other flammable vapors and liquids in the vicinity of this or any other appliance.

WHAT TO DO IF YOU SMELL GAS

- Do not try to light any appliance.
- Do not touch any electrical switch: do not use any phone in your building.
Leave the building immediately.
- Immediately call your gas supplier from a neighbour's phone. Follow the gas supplier's instructions.
- If you cannot reach your gas supplier, call the fire department.

Installation and service must be performed by a qualified installer, service agency or the gas supplier.

Tested by:



Certified to/Certifié pour: CSA 2.17-2017
CSA/ANSI Z21.88-2019
CSA 2.33-2019

Installer: Please complete the details on the back cover and leave this manual with the homeowner.

Homeowner: Please keep these instructions for future reference.

To the New Owner:

Congratulations!

You are the owner of a state-of-the-art Gas Fireplace by REGENCY®. The Grandview™ G800EC has been designed to provide you with all the warmth and charm of a wood fireplace at the flick of a switch. The Grandview™ G800EC has been approved by Intertek for both safety and efficiency. As it also bears our own mark, it promises to provide you with economy, comfort and security for many trouble free years to follow. Please take a moment now to acquaint yourself with these instructions and the many features of your Regency® Fireplace.



DANGER



**HOT GLASS WILL
CAUSE BURNS**

**DO NOT TOUCH GLASS
UNTIL COOLED**

**NEVER ALLOW CHILDREN
TO TOUCH GLASS**

A barrier designed to reduce the risk of burns from the hot viewing glass is provided with this appliance and must be installed for the protection of children and other at risk individuals.

CAUTION:
HOT WHILE IN OPERATION. DO NOT TOUCH.
**SEVERE BURNS MAY RESULT. KEEP CHILDREN, CLOTHING, FURNITURE,
GASOLINE, AND ANY OTHER LIQUIDS WITH FLAMMABLE VAPOURS AWAY.**

KEEP BURNER AND CONTROL COMPARTMENT CLEAN.
**SEE INSTALLATION AND OPERATING INSTRUCTIONS ACCOMPANYING
APPLIANCE.**

920-408

MANUFACTURED MOBILE HOME REQUIREMENTS

INFORMATION FOR MOBILE/MANUFACTURED HOMES AFTER FIRST SALE

This Regency® product has been tested and listed by Intertek as a Direct Vent Wall Furnace to the following standards: to Vented Gas Fireplace Heaters ANSI Z21.88 • CSA 2.33 and Gas-fired Appliances for Use at High Altitudes CSA 2.17-2017.

This Direct Vent System Appliance must be installed in accordance with the manufacturer's installation instructions and the Manufactured Home Construction and Safety Standard, Title 24 CFR, Part 3280, or the current Standard of Fire Safety Criteria for Manufactured Home Installations, Sites, and Communities ANSI/NFPA 501A, and with CAN/CSA Z240-MH Mobile Home Standard in Canada.

This appliance installation must comply with the manufacturer's installation instructions and local codes, if any. In the absence of local codes follow the current National Fuel Gas Code, ANSI Z223.1 and the current National Electrical Code ANSI/NFPA 70 in the U.S.A., and the current CSA B149.1 Gas Installation Code and the current Canadian Electrical Code CSA C22.1 in Canada.

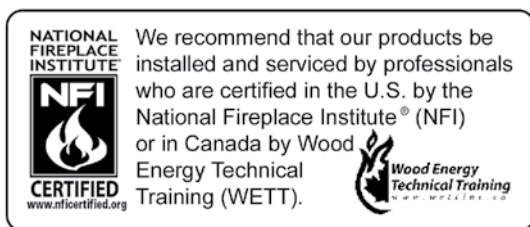
This appliance comes equipped with a dedicated #8 Ground Lug for attachment of the ground wire to the steel chassis as applicable to local codes.

The appliance, when installed, must be electrically grounded in accordance with local codes or, in the absence of local codes, with the National Electrical Code, ANSI/NFPA 70, or the Canadian Electrical Code, CSA C22.1.

This appliance may only be installed in an aftermarket permanently located, manufactured (U.S.A only) or mobile home, where not prohibited by local codes.

This appliance can only be used with the type of gas indicated on the rating plate. This appliance is not convertible for use with other gases.

Ensure that structural members are not cut or weakened during installation.



This appliance may be installed in an aftermarket permanently located, manufactured (U.S.A. only) or mobile home, where not prohibited by local codes.

This appliance is only for use with the type of gas indicated on the rating plate. A conversion kit is supplied with the appliance.



WARNING

CARBON MONOXIDE POISONING HAZARD

Failure to follow the steps outlined below for each appliance connected to the venting system being placed into operation could result in carbon monoxide poisoning or death. The following steps shall be followed for each appliance connected to the venting system being placed into operation, while all other appliances connected to the venting system are not in operation:

1. Seal any unused openings in the venting system.
2. Inspect the venting system for proper size and horizontal pitch, as required in the *National Fuel Gas Code*, ANSI Z223.1/NFPA 54 or the *Natural Gas and Propane Installation Code*, CSA B149.1 and these instructions. Determine that there is no blockage or restriction, leakage, corrosion and other deficiencies which could cause an unsafe condition.
3. As far as practical, close all building doors and windows and all doors between the space in which the appliance(s) connected to the venting system are located and other spaces of the building.
4. Close fireplace dampers.
5. Turn on clothes dryers and any appliance not connected to the venting system. Turn on any exhaust fans, such as range hoods and bathroom exhausts, so they are operating at maximum speed. Do not operate a summer exhaust fan.
6. Follow the lighting instructions. Place the appliance being inspected into operation. Adjust the thermostat so appliance is operating continuously.
7. Test for spillage from draft hood equipped appliances at the draft hood relief opening after 5 minutes of main burner operation. Use the flame of a match or candle.
8. If improper venting is observed during any of the above tests, the venting system must be corrected in accordance with *National Fuel Gas Code*, ANSI Z223.1/NFPA and/or *Natural Gas and Propane Installation Code*, CSA B149.1.
9. After it has been determined that each appliance connected to the venting system properly vents when tested as outlined above, return doors, windows, exhaust fans, fireplace damper and any other gas-fired burning appliance to the previous conditions of use.

Other considerations:

Non-metallic venting systems shall not interchange components with another listed or unlisted metallic venting system.

table of contents

Copy of Safety Decal	6
Unit Dimensions	8

Owner's Information

Gas Installation Checklist	9
Before You Start.....	11
Lighting Procedure	12
Shutdown Procedure	12
Copy of Lighting Plate Instructions	13
Lighting Procedure	14
Proflame II Battery Holder Battery Replacement.....	18
Safety Screen Removal	19
Safety Screen Installation	19
Glass Door Removal	19
Glass Door Installation.....	19

Installer's Information

Important Message	20
General Safety Information	20
Installation Checklist.....	21
Locating Your Gas Fireplace	21
HeatWave Duct System Optional Kit (Part #946-556).....	21

Installation

Clearance/Framing and Venting Configurations	22
Cool Wall Installation (Combustible Finishing).....	23
Non Combustible Installation.....	23
Unit Assembly Prior to Installation (Nailing Flange Installation).....	24
Nailing Flange Installation.....	25
Cool Wall Clearances	26
Cool Wall Mantel Clearances.....	27
Cool Wall Mantel Leg Clearances	27
Cool Wall Installation - Framing.....	28
Cool Wall Installation-Cool Wall Conversion	29
Chase Venting.....	30
Chase Enclosure (Cool Wall).....	31
Chase Vent Installation—Cool Wall	32
Clean Front Installation (Non Cool Wall) - Clearances.....	33
Clean Front Installation (Non Cool Wall) - Mantel Clearances	34
Clean Front Installation (Non Cool Wall) - Mantel Leg Clearances.....	35
Clean Front Installation (Non Cool Wall) - Non-Combustible Requirements	35
Clean Front Installation - Framing (Non Cool Wall).....	36
Clean Front Installation.....	37
Nailing Flange Instructions.....	37
Optional Clean Front Trim Install Instructions	37
(Part # 761-929).....	37
Outside Finish Installation (Non Cool Wall) - Clearances	38
Outside Finish Installation (Non Cool Wall) - Mantel Clearances	39
Outside Finish Installation (Non Cool Wall) - Mantel Leg Clearances.....	39
Outside Finish Installation (Non Cool Wall) - Framing.....	40
Outside Finish Finishing	41
Faceplate Installation (Part # 761-922, 761-924, 761-926).....	42
Faceplate Finishing	43
Finishing Trim Installation (Part # 761-928)	44
Wall Board/Drywall Installation G800EC	46
Conversion to Top Vent.....	47
Vent Restrictor Installation	49
Venting Introduction.....	49
Exterior Vent Termination Requirements.....	50
4" X 6-5/8" (102 mm x 168 mm) Rigid Pipe - Cross Reference Chart Only	51
Venting Arrangements for Horizontal Terminations - Flex Vent/Rigid Pipe - 4" x 6-5/8" (102 mm x 168 mm).....	53
Rigid Pipe Venting Systems - Horizontal or Vertical Terminations	54
Venting Arrangements - Horizontal Termination - Rigid Pipe and Direct Vent System (Flex)	55
Venting Arrangements Vertical Termination - Rigid Pipe System and Vertical Flex Kit to Same Limitations.....	56
Horizontal Terminations - Two 90°Elbows	57

Horizontal Terminations - Three 90° Elbows	57
Vertical Terminations - Vertical Venting With Two 90° Elbows.....	58
Vertical Venting With Three 90° Elbows	58
Venting Arrangements with Co-linear Flex System Into a Masonry Chimney	59
Venting Arrangement - Vertical Terminations - Co-linear Flex System Into Masonry Fireplaces	60
Unit Installation With Horizontal Termination.....	61
Unit installation With Vertical Termination	62
Direct Vent System (Flex) Installation Procedures	63
Vertical Termination 4" x 6-7/8" (102 mm x 175 mm) Venting - Vertical Flex Vent Kit (Part # 946-755).....	64
Vertical Flue Extension Kit (Part #946-756).....	65
Ceiling Firestop/Firestop Spacer (Part #946-757).....	65
LP Conversion using SIT 885 PROFLAME Gas Valve.....	66
Brick Panel Installation	68
Enamel/Steel Panel Installation (Steel Panels - Part # 761-907, Enamel Panels - Part # 761-908).....	69
Log Set Installation	70
Crystal Tray Installation	74
Driftwood Media Kit Installation (Part #761-931).....	75
Pilot Adjustment.....	77
High Elevation.....	77
885 S.I.T. Valve Description.....	77
NG System Data	77
LP System Data	77
Gas Pipe Pressure Testing	77
Wall Mount On/Off Switch and Battery Holder Installation	78
Aeration Adjustment.....	79
Electrical Access and Installation	79
Wiring Diagram Without Thermostat.....	80
Operation Using an Optional Wall Thermostat.....	81
Installing the Optional Fan Prior to Unit Installation Into Framing (Recommended - Part # 761-917).....	82
Fan Install After Unit Installation	83

Operating Instructions

Operating Instructions	84
First Fire.....	84
Normal Operating Sounds of Gas Appliances	84
Battery Backup.....	85
Copy of Lighting Plate Instructions	86

Maintenance

Maintenance Instructions	87
General Vent Maintenance	87
Log Replacement	87
Glass Gasket.....	87
Door Glass.....	87
Glass Replacement	87
Light Bulb Replacement - Bottom Lights.....	88
Light Bulb Replacement -Top Light.....	88
Valve Replacement	89
IFC Replacement.....	90
Gas Maintenance - Recommended Annual Routine.....	91

Parts List

Main Assembly	92
Main Assembly	93
Optional Accessories.....	94


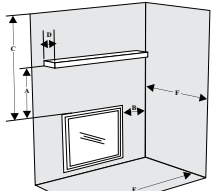

Warranty96

safety decal

This is a copy of the label that accompanies each Grandview™ G800EC Direct Vent Gas Fireplace. We have printed a copy of the contents here for your review. **NOTE:** Regency® units are constantly being improved. Check the label on the unit and if there is a difference, the label on the unit is the correct one.

NOTE: This fireplace is rated for both commercial & residential use.

Copy of Safety Decal

Duplicate S/N		529
 Intertek C #: 4001172	Listed/Nom: Vented Gas Fireplace Heater / Foyer au Gaz à Évacuation Certified to/Certifié pour: CSA/ANSI Z21.88-2019 • CSA-2.33-2019 CSA 2.17-2017 MAY BE INSTALLED IN MANUFACTURED (MOBILE) HOMES AFTER FIRST SALE. Refer to Intertek's Directory of Building Products for detailed information. Pour plus de détails, se reporter au Répertoire des produits de construction de Intertek.	DO NOT REMOVE THIS LABEL / NE PAS ENLEVER CETTE ÉTIQUETTE Serial No./ No de série 529
NATURAL GAS: Model G800EC-NG Minimum supply pressure 5.0" WC/C.E. (1.25 kPa) Manifold pressure high 3.8" WC/C.E. (0.94 kPa) Manifold pressure low 1.1" WC/C.E. (0.27 kPa) Orifice size # 42 DMS Minimum input 15,000 Btu/h (4.4kW) Maximum input 27,000 Btu/h (7.91 kW) Altitude 0-4500 ft/pi (0-1372 m)	APPAREIL FONCTIONNANT AU GAZ NATUREL Modèle G800EC-NG Pression d'alimentation minimale Pression manifold - haute Pression manifold - basse Taille de l'orifice Débit calorifique minimal Débit calorifique maximal Altitude	 <p>Minimum Clearances to Combustibles / Rear Vent—Clean Finish Dégagements minimaux par rapport aux matériaux combustibles</p> <p>0" Clearance to combustibles from / Top, sides, bottom and rear of unit Mantel Clearances from Fireplace Opening / (A) 20-1/2" (521 mm) at max. depth Side Wall Clearance from Fireplace Opening / (B) Min. 26-1/2" (673mm)(on one side) Ceiling from Top of Fireplace Opening: (C) Min. 36-1/2" (927 mm) Mantel Depth: (D) Max. 19" (483 mm) Alcove Clearances: (E) Min. Width 84" (2134 mm), (F) Max. Depth 36" (914 mm) Minimum Vent Clearances: Horizontal Top 2" (51 mm) Horizontal Side 1-1/2" (38 mm) Horizontal Bottom 1-1/2" (38 mm) Vertical Vent 1-1/2" (38 mm)</p> <p>DOOR SEAL: Please check that the door is properly sealed (See Instruction Manual for detailed instructions)</p>
PROPANE GAS: Model G800EC-LP Minimum supply pressure 11" WC/C.E. (2.74 kPa) Manifold pressure high 10" WC/C.E. (2.49 kPa) Manifold pressure low 6.4" WC/C.E. (1.60 kPa) Orifice size # 53 DMS Minimum input 21,000 Btu/h (6.15kW) Maximum input 25,500 Btu/h (7.47 kW) Altitude 0-4500 ft/pi (0-1372 m)	APPAREIL FONCTIONNANT AU GAZ PROPANE Modèle G800EC-LP Pression d'alimentation minimale Pression manifold - haute Pression manifold - basse Taille de l'orifice Débit calorifique minimal Débit calorifique maximal Altitude	
<p>This appliance must be installed in accordance with local codes, if any; if none, follow the National Fuel Gas Code, ANSI Z223.1, or Natural Gas and Propane Installation Code, CSA B149.1. This appliance must be installed in accordance with the Standard CAN/CSA Z240 MH, Mobile Housing, in Canada, or with the Manufactured Home Construction and Safety Standard, Title 24 CFR, Part 3280, in the United States, or when such a standard is not applicable, ANSI/NCSBSC A225.1/NFPA 501A, Manufactured Home Installations Standard or ANSI A119.2 ou NFPA 501C Standard for Recreational Vehicles. This appliance is only for use with the type of gas indicated on the rating plate and may be installed in an aftermarket, permanently located, manufactured (mobile) home where not prohibited by local codes. See owner's manual for details. This appliance is not convertible for use with other gases, unless a certified kit is used. (Kit #761-969). Fan Part # 761-917. Installer l'appareil selon les codes ou règlements locaux, ou, en l'absence de tels règlements, selon les codes d'installation ANSI Z223.1, National Fuel Gas Code ou CSA-B149.1 en vigueur. Installer l'appareil selon la norme CAN/CSA-Z240, Série MM, Maison mobiles ou CAN/CSA-Z240 VC, Véhicules de camping, ou la norme 24 CFR Part 3280, Manufactured Home Construction and Safety Standard. Si ces normes ne sont pas pertinentes, utilisez la norme ANSI/NCSBSC A225.1/NFPA 501A, Manufactured Home Installations Standard, ou ANSI A119.2 ou NFPA 501C Standard for Recreational Vehicles. Cet appareil doit être utilisé uniquement avec le type de gaz indiqué sur la plaque signalétique. Cet appareil peut être installé dans une maison préfabriquée ou mobile (É.-U. seulement) installée à demeure si les règlements locaux le permettent. Voir la notice de l'utilisateur pour plus de renseignements. Cet appareil ne peut pas être utilisé avec d'autres gaz sauf si une trousse de conversion certifiée est fournie.</p> <p>This vented gas fireplace heater is not for use with air filters. FOR USE WITH GLASS DOORS CERTIFIED WITH THE APPLIANCE ONLY For Use Only with Barrier (Part #761-038/P) Electrical supply/Alimentation électrique 115VAC, 1.5A, 60Hz.</p> <p>Ne pas utiliser de filtre à air avec ce foyer au gaz à évacuation. POUR UTILISATION UNIQUEMENT AVEC LES PORTES EN VERRE CERTIFIÉES AVEC L'APPAREIL Utiliser uniquement avec l'écran (n° 761-038/P) CATEGORY I / CATÉGORIE I</p> <p style="text-align: right;">FPI Fireplace Products International Ltd. Delta, BC, Canada Made in Canada/ Fabriqué au Canada</p>		
VENTED GAS FIREPLACE HEATER - NOT FOR USE WITH SOLID FUELS. CATEGORY I. FOYER AU GAZ À ÉVACUATION - NE PAS UTILISER AVEC UN COMBUSTIBLE SOLIDE. CATÉGORIE I.		
 CANADIAN ENERGY PERFORMANCE VERIFIED Intertek EP5011189 RENDÉMENT ÉNERGÉTIQUE VÉRIFIÉ	CSA P.4.1 Fireplace Efficiency (FE) /Efficacité énergétique des foyers (EEF) CSA P.4.1 Natural Gas / Gaz naturel 55.96% Propane Gas / Gaz propane 57.74%	920-159c

For the State of Massachusetts, installation and repair must be done by a plumber or gas fitter licensed in the Commonwealth of Massachusetts.

For the State of Massachusetts, flexible connectors shall not exceed 36 inches in length.

For the State of Massachusetts, the appliances individual manual shut-off must be a t-handle type valve.

The State of Massachusetts requires the installation of a carbon monoxide alarm in accordance with NFPA 720 and a CO alarm with battery back up in the same room where the gas appliance is installed.

Decal Location

DO NOT REMOVE DECAL FROM UNIT.



Remove bottom cover—decal will be on the floor of the unit

MA Code - CO Detector **(for the State of Massachusetts only)**

5.08: Modifications to NFPA-54, Chapter 10

(2) Revise 10.8.3 by adding the following additional requirements:

(a) For all side wall horizontally vented gas fueled equipment installed in every dwelling, building or structure used in whole or in part for residential purposes, including those owned or operated by the Commonwealth and where the side wall exhaust vent termination is less than seven (7) feet above finished grade in the area of the venting, including but not limited to decks and porches, the following requirements shall be satisfied:

1. **INSTALLATION OF CARBON MONOXIDE DETECTORS.** At the time of installation of the side wall horizontal vented gas fueled equipment, the installing plumber or gasfitter shall observe that a hard wired carbon monoxide detector with an alarm and battery back-up is installed on the floor level where the gas equipment is to be installed. In addition, the installing plumber or gasfitter shall observe that a battery operated or hard wired carbon monoxide detector with an alarm is installed on each additional level of the dwelling, building or structure served by the side wall horizontal vented gas fueled equipment. It shall be the responsibility of the property owner to secure the services of qualified licensed professionals for the installation of hard wired carbon monoxide detectors

a. In the event that the side wall horizontally vented gas fueled equipment is installed in a crawl space or an attic, the hard wired carbon monoxide detector with alarm and battery back-up may be installed on the next adjacent floor level.

b. In the event that the requirements of this subdivision can not be met at the time of completion of installation, the owner shall have a period of thirty (30) days to comply with the above requirements; provided, however, that during said thirty (30) day period, a battery operated carbon monoxide detector with an alarm shall be installed.

2. **APPROVED CARBON MONOXIDE DETECTORS.** Each carbon monoxide detector as required in accordance with the above provisions shall comply with NFPA 720 and be ANSI/UL 2034 listed and IAS certified.

3. **SIGNAGE.** A metal or plastic identification plate shall be permanently mounted to the exterior of the building at a minimum height of eight (8) feet above grade directly in line with the exhaust vent terminal for the horizontally vented gas fueled heating appliance or equipment. The sign shall read, in print size no less than one-half (1/2) inch in size, "**GAS VENT DIRECTLY BELOW. KEEP CLEAR OF ALL OBSTRUCTIONS**".

4. **INSPECTION.** The state or local gas inspector of the side wall horizontally vented gas fueled equipment shall not approve the installation unless, upon inspection, the inspector observes carbon monoxide detectors and signage installed in accordance with the provisions of 248 CMR 5.08(2)(a)1 through 4.

(b) **EXEMPTIONS:** The following equipment is exempt from 248 CMR 5.08(2)(a)1 through 4:

1. The equipment listed in Chapter 10 entitled "Equipment Not Required To Be Vented" in the most current edition of NFPA 54 as adopted by the Board; and

2. Product Approved side wall horizontally vented gas fueled equipment installed in a room or structure separate from the dwelling, building or structure used in whole or in part for residential purposes.

(c) **MANUFACTURER REQUIREMENTS - GAS EQUIPMENT VENTING SYSTEM PROVIDED.** When the manufacturer of Product Approved side wall horizontally vented gas equipment provides a venting system design or venting system components with the equipment, the instructions provided by the manufacturer for installation of the equipment and the venting system shall include:

1. Detailed instructions for the installation of the venting system design or the venting system components; and

2. A complete parts list for the venting system design or venting system.

(d) **MANUFACTURER REQUIREMENTS - GAS EQUIPMENT VENTING SYSTEM NOT PROVIDED.** When the manufacturer of a Product Approved side wall horizontally vented gas fueled equipment does not provide the parts for venting the flue gases, but identifies "special venting systems", the following requirements shall be satisfied by the manufacturer:

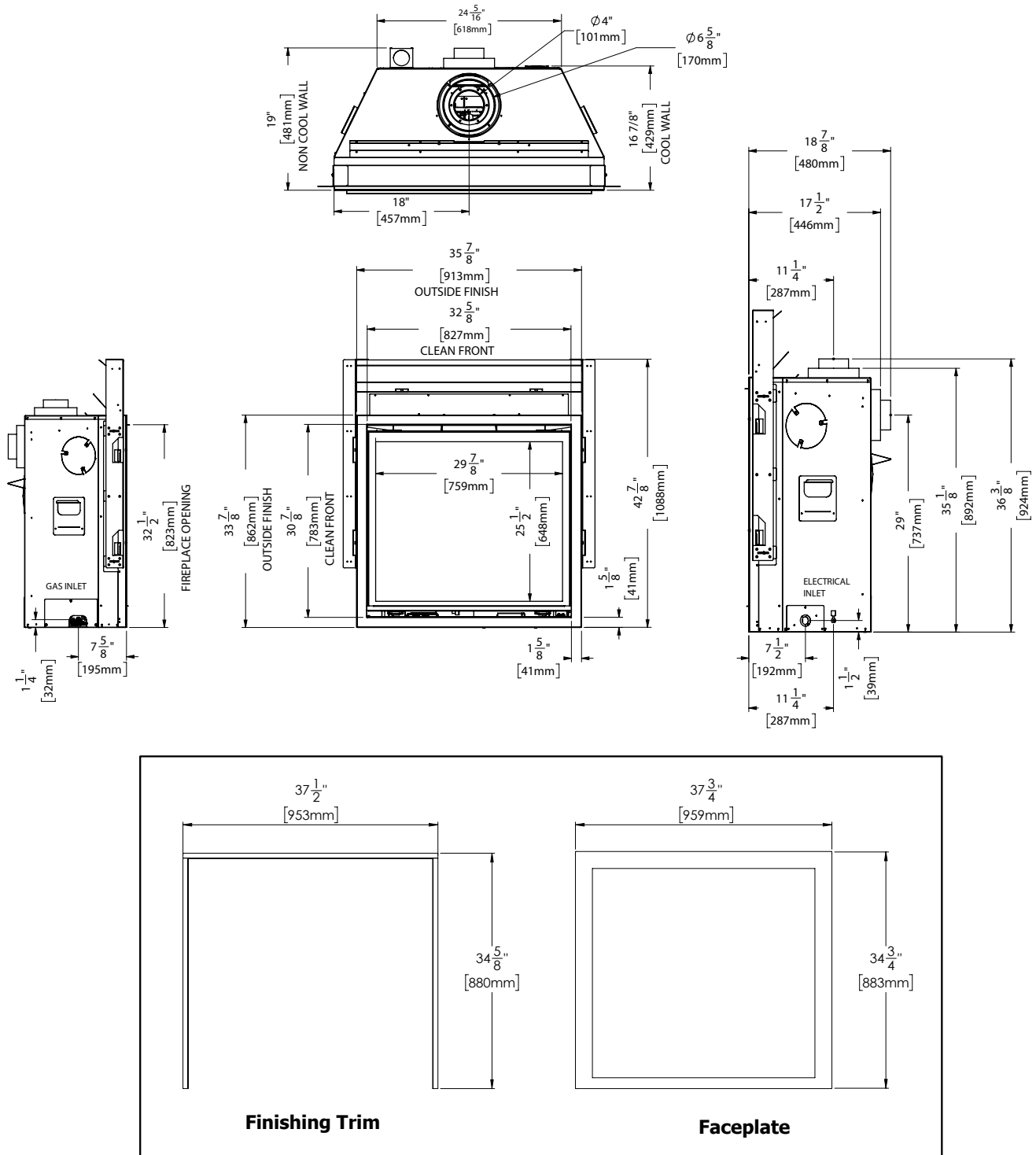
1. The referenced "special venting system" instructions shall be included with the appliance or equipment installation instructions; and

2. The "special venting systems" shall be Product Approved by the Board, and the instructions for that system shall include a parts list and detailed installation instructions.

(e) A copy of all installation instructions for all Product Approved side wall horizontally vented gas fueled equipment, all venting instructions, all parts lists for venting instructions, and/or all venting design instructions shall remain with the appliance or equipment at the completion of the installation.

dimensions

Unit Dimensions



Note: Gas connection is from the left hand side of the appliance & electrical connection on right hand side of the appliance. A metal receptacle box is supplied/installed with the appliance to make all 120 volt electrical connections.

ALL PICTURES / DIAGRAMS SHOWN THROUGHOUT THIS MANUAL ARE FOR ILLUSTRATION PURPOSES ONLY. ACTUAL PRODUCT MAY VARY DUE TO PRODUCT ENHANCEMENTS.

Gas Installation Checklist

This general checklist does not contain all pertinent installation details or specifics and does not supersede the guidelines in this manual. Your Regency dealer/installer should use it in conjunction with manual instructions. Please follow all local codes and jurisdictions in authority.

Customer: _____	Date Installed: _____	
Install Address: _____	Location of Fireplace: _____	
Serial No: _____	Installer: _____	
Model No: _____		
Site Requirements	YES	NO
If applicable, are the insulation, vapour barrier, and drywall present if installed on an outside wall or chase?		
Does the area have a solid continuous base to support the unit?		
Will the area accommodate the size of the appliance and all clearances?		
Are the gas and electrical roughed into the area where the unit is being installed?		
In City & Grandview series cool wall applications, is the chase enclosure sealed to prevent heat from escaping? All hot air from the unit must exit via the mandatory ventilation openings.		
In City & Grandview applications, Is the chase enclosure vented with the mandatory heat ventilation openings? See manual for details.		
If applicable, is the masonry/factory built fireplace in its original condition with no modifications?		
If applicable, have the hearth requirements been met?		
Unit Setup	YES	NO
If applicable, are the standoffs and top nailing flange extensions installed and at the correct depth to accommodate finishing material? See manual for details.		
If applicable, is the fireplace level and secured, meeting framing clearances? See manual for details.		
If applicable, is the unit converted to top or rear vent per manual instructions, and the insulation discarded?		
Venting	YES	NO
Are the venting components approved for the unit installed?		
Does the venting configuration comply with venting diagrams?		
Is venting installed and secured, and are clearances for the vent pipe and termination cap maintained?		
If applicable, was a 1/4" rise maintained for every foot of horizontal run?		
Was the termination installed and sealed?		
Is the direct vent termination at the highest point in the vent assembly?		
If applicable, are both chimney liners continuous from flue collars to termination?		
Electrical and Wiring	YES	NO
Is the appliance connected to the household's 110/120v per local codes? Check local codes for receptacle placement.		
Were the connections in the fireplace tested with a circuit tester?		
Is the appliance properly grounded?		
If applicable, is the supplied electrical/gang box affixed to the wall to facilitate the mounting of the receiver/battery box ?		
If applicable, is all electrical, Ethernet, HDMI, networking, optical, wire/cables, conduits, etc. run through the wood or steel stud work as wires/cables of any kind cannot be exposed directly above or over the fireplace?		
Gas	YES	NO
Does the supply pressure meet the requirements shown on the rating plate?		
Was a conversion performed?		
Was a leak check performed and manifold pressures verified?		

owner's information

Is the shut-off valve installed and easily accessible to the customer?		
Finishing	YES	NO
If applicable, is only noncombustible material installed in the noncombustible areas?		
Do clearances meet installation and manual requirements?		
Do the mantels and/or projections comply with the installation manual?		
If applicable, was the solid fuel fireplace warning plate installed?		
Is the chase enclosure fully open the full width, height and depth above the fireplace as per the requirements noted in the framing section?		
Appliance Media Setup	YES	NO
Do commands from the remote or wall switch light the pilot and main burner?		
Are the burner media/log set, glass door, and screen installed per instructions in the manual?		
Was the air shutter on the proper setting after running the unit for 20 minutes?		
If applicable, were the surround and trims installed according to the manual?		
Was the operation of the fan, lights (if installed), and flame modulation checked?		
Customer Tutorial and Presentation	YES	NO
Is the customer confident operating the new gas appliance and aware of all the features on the remote?		
Confirm that the rating and lighting plates are attached to the appliance. Do not remove.		
Was the customer informed of the location of the rating and lighting plates?		
Was accessing unit controls in a power outage explained to the customer?		
Are the model and serial numbers and the date of installation of the unit written in the manual and on the checklist?		
Were the warranty and unit registration reviewed with the customer?		
Comments:		

Before You Start

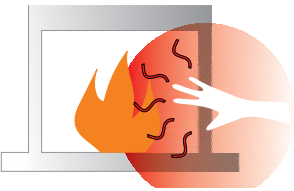
Safe installation and operation of this appliance requires common sense, however, we are required by the Canadian Safety Standards and ANSI Standards to make you aware of the following:

INSTALLATION AND REPAIR SHOULD BE DONE BY AN AUTHORIZED SERVICE PERSON. THE APPLIANCE SHOULD BE INSPECTED BEFORE USE AND AT LEAST ANNUALLY BY A PROFESSIONAL SERVICE PERSON. MORE FREQUENT CLEANING MAY BE REQUIRED DUE TO EXCESSIVE LINT FROM CARPETING, BEDDING MATERIAL, ETC. IT IS IMPERATIVE THAT CONTROL COMPARTMENTS, BURNERS AND CIRCULATING AIR PASSAGeways OF THE APPLIANCE BE KEPT CLEAN.

DUE TO HIGH TEMPERATURES, THE APPLIANCE SHOULD BE LOCATED OUT OF TRAFFIC AND AWAY FROM FURNITURE AND DRAPERIES.

WARNING: FAILURE TO INSTALL THIS APPLIANCE CORRECTLY WILL VOID YOUR WARRANTY AND MAY CAUSE A SERIOUS HOUSE FIRE.

CHILDREN AND ADULTS SHOULD BE ALERTED TO THE HAZARDS OF HIGH SURFACE TEMPERATURES, ESPECIALLY THE FIREPLACE GLASS, AND SHOULD STAY AWAY TO AVOID BURNS OR CLOTHING IGNITION.



YOUNG CHILDREN SHOULD BE CAREFULLY SUPERVISED WHEN THEY ARE IN THE SAME AREA AS THE APPLIANCE. TODDLERS, YOUNG CHILDREN AND OTHERS MAY BE SUSCEPTIBLE TO ACCIDENTAL CONTACT BURNS. A PHYSICAL BARRIERS IS RECOMMENDED IF THERE ARE AT RISK INDIVIDUAL IN THE HOUSE. TO RESTRICT ACCESS TO A FIREPLACE OR STOVE, INSTALL AN ADJUSTABLE SAFETY GATE TO KEEP TODDLERS, YOUNG CHILDREN AND OTHER AT RISK INDIVIDUALS OUT OF THE ROOM AND AWAY FROM HOT SURFACES.

CLOTHING OR OTHER FLAMMABLE MATERIAL SHOULD NOT BE PLACED ON OR NEAR THE APPLIANCE.

A BARRIER DESIGNED TO REDUCE THE RISK OF BURNS FROM THE HOT VIEWING GLASS IS PROVIDED WITH THIS APPLIANCE AND SHALL BE INSTALLED FOR THE PROTECTION OF CHILDREN AND OTHER AT-RISK INDIVIDUALS

ANY SAFETY SCREEN, GUARD, OR BARRIER REMOVED FOR SERVICING THE APPLIANCE, MUST BE REPLACED PRIOR TO OPERATING THE APPLIANCE.

IF THE BARRIER BECOMES DAMAGED, THE BARRIER SHALL BE REPLACED WITH THE MANUFACTURER'S BARRIER FOR THIS APPLIANCE.

WARNING: Cancer and Reproductive Harm
www.P65Warnings.ca.gov

919-874

owner's information

Lighting Procedure

IMPORTANT: The remote control system supplied with this appliance has several options for starting/operating the appliance using the battery holder and ON/OFF key on the hand held transmitter. Prior to operating this appliance, please read the remote control operating instructions (packaged with remote control) to understand how to operate this remote control system.

1. Ensure the battery holder switch is in the Remote position and / or wall mounted battery holder (if equipped) is in the <REMOTE> position.
2. Press and release the ON/OFF button on the remote handheld transmitter (see Diagram 1). An audible beep should be heard from the receiver. If not using the remote, the unit can also be turned on by sliding the battery holder switch to the <ON> position (if equipped).



Diagram 1
Remote shown in Manual Mode on Hi

3. After approximately 4 seconds the spark ignition system will spark for 60 seconds to light the pilot.
4. The unit will turn on.



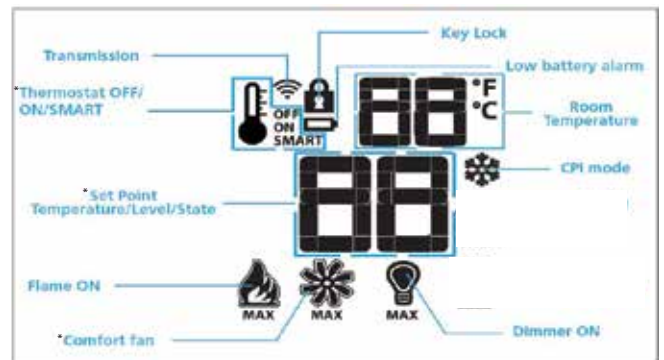
Note: The first try for ignition will last approximately 60 seconds. If there is no flame ignition (rectification) the board will stop sparking for approximately 35 seconds. After wait time, the board will start second try for ignition by sparking for approximately 60 seconds. If there is still no positive ignition the board will go into lock out.

The system will need to be reset as follows:

- a) Turn the system off by pressing the ON/OFF button on the remote.
- b) Wait 5 minutes then repeat from step 2.

Shutdown Procedure

1. Press the ON/OFF button on the remote
2. If service is to be performed- you must disconnect power and shut off gas to the unit.



* Not offered on all models.

Fan Operation: The standard fan can be operated by using the remote control supplied with this unit. See remote control instructions.

Note: In thermostat mode: When the appliance is turned on, the fan will not come on for the first 5 minutes (if fan is turned on). When the appliance is turned off the fan will not turn off for 12 minutes (if in on position)

Manual mode: Fan will turn on and off immediately using the remote control transmitter if the fan function is in the "on" position.

Continuous Pilot/Intermittent Pilot (CPI/IPI) **selection**

See remote control instructions for details.

On Demand Pilot (seven day safety timer)

Important information if using the appliance in CPI (continuous pilot mode) only

This appliance is a ProFlame 2 system fitted with the "On Demand" Pilot, a safety feature which will shut down the gas valve completely by extinguishing the pilot light in the event of a continuous full seven days of inactivity.

This only applies if the CPI (continuous pilot) switch is in the "on" position in your remote control transmitter.

Each time the main burner shuts down, manually or through the call from the thermostat, the seven day timer starts again.

The seven day inactivity timer is controlled within the circuit board. Therefore, if in CPI mode and when the pilot light is extinguished after seven straight days of inactivity, the CPI setting on the remote control transmitter will remain in the "CPI" (continuous pilot) position. Therefore, all that is required to relight the pilot would be to press the on/off button on the remote control transmitter from "on" to "off" and back to "on". Once the pilot has re-established operation will resume as normal. There is no requirement to do anything with the IPI/CPI mode on the remote control transmitter.

If the unit never goes as long as seven full days without a call for heat, the pilot will remain lit until it is manually shut-off.

If the unit is being operated in IPI (intermittent pilot) mode, neither the above instructions nor the seven day timer will apply.

See the instructions in this manual and on the Lighting Instructions plate on the appliance to light or re-light the pilot.

Copy of Lighting Plate Instructions

**FOR YOUR SAFETY READ BEFORE LIGHTING
POUR VOTRE SÉCURITÉ – À LIRE AVANT LA MISE EN MARCHÉ**

WARNING: If you do not follow these instructions exactly, a fire or explosion may result causing property damage, personal injury or loss of life. Improper installation, adjustment, alteration, service or maintenance can cause injury or property damage. Refer to the owner's information manual provided with this appliance. For assistance or additional information consult a qualified installer, service agency or gas supplier.

AVERTISSEMENT : Quiconque ne respecte pas scrupuleusement les instructions de la présente notice risque de déclencher un incendie ou une explosion pouvant entraîner des dégâts matériels ou des blessures pouvant être mortelles. Tout défaut d'installation, de réglage, de modification, de service ou d'entretien peut entraîner des blessures ou des dommages matériels. Reportez-vous au manuel d'utilisation fourni avec cet équipement. Pour obtenir de l'aide ou des informations complémentaires, consulter un installateur ou un service d'entretien qualifié, ou le fournisseur de gaz.

- A) This appliance is equipped with an ignition device which automatically lights the pilot.
Do not try to light the pilot by hand.
- B) **BEFORE OPERATING** smell all around the appliance area for gas. Be sure to smell next to the floor because some gas is heavier than air and will settle on the floor.
WHAT TO DO IF YOU SMELL GAS
- Do not try to light any appliance.
 - Do not touch any electric switch, do not use any phone in your building.
 - Leave the building immediately.
 - Immediately call your gas supplier from a neighbours phone. Follow the gas supplier's instructions.
 - If you cannot reach your gas supplier, call the fire department.
- C) Do not use this appliance if any part has been under water. Immediately call a qualified service technician to inspect the appliance and to replace any part of the control system and any gas control which has been underwater.
- A) Cet appareil est muni d'un dispositif d'allumage qui allume automatiquement la veilleuse.
Ne tentez pas d'allumer la veilleuse manuellement.
- B) **AVANT LA MISE EN MARCHÉ**, reniflez tout autour de l'appareil pour détecter une odeur de gaz. Reniflez au niveau du plancher, car certains gaz sont plus lourds que l'air et peuvent s'accumuler au niveau du sol.
- QUE FAIRE SI VOUS SENTEZ UNE ODEUR DE GAZ :**
- Ne tentez pas d'allumer l'appareil
 - Ne touchez à aucun interrupteur; n'utilisez pas le téléphone se trouvant dans le bâtiment.
 - Quittez immédiatement le bâtiment.
 - Appelez immédiatement votre fournisseur de gaz depuis un téléphone extérieur. Suivez les instructions du fournisseur.
 - Si vous ne pouvez pas rejoindre le fournisseur, appelez le service incendie.
- C) N'utilisez pas cet appareil s'il a été plongé dans l'eau, même partiellement. Faites inspecter l'appareil par un technicien qualifié et remplacez tout élément du système de contrôle ou de commande qui a été plongé dans l'eau.

CAUTION: Hot while in operation. Do not touch. Severe burns may result. Due to high surface temperatures keep children, clothing and furniture, gasoline and other liquids having flammable vapors away. Keep burner and control compartment clean. See installation and operating instructions accompanying appliance.

ATTENTION : Surfaces chaudes lorsque l'appareil est en marche. Ne pas toucher. Risque de brûlures graves. En raison des températures élevées, les enfants, les vêtements et le mobilier, le carburant et tout autre liquide aux vapeurs inflammables doivent être tenus éloignés de l'appareil. Nettoyer régulièrement le brûleur et le compartiment des commandes. Voir les consignes d'installation et d'utilisation fournies avec l'appareil.

OPERATING INSTRUCTIONS / CONSIGNES DE FONCTIONNEMENT

- 1) **STOP!** Read the safety information above on this label.
 - 2) Ensure the Main switch is in the ON position and/or the wall mounted battery holder (if equipped) is in the <REMOTE> position.
 - 3) Press and release the ON/OFF button on the remote handheld transmitter. An audible beep should be heard from the receiver. If not using the remote, the unit can also be turned on by sliding the battery holder switch to the <ON> position (if equipped).
 - 4) After approximately 4 seconds the spark ignition system will spark for 60 seconds to light the main burner.
 - 5) The unit will turn on.
Note: The first attempt to ignition will last approximately 60 seconds. If there is no flame ignition (rectification) the board will stop sparking for approximately 35 seconds. After this wait time, the board will start a second try for ignition by sparking for approximately 60 seconds. If there is still no positive ignition after the second attempt the board will go into lock out.
The system will need to be reset as follows (after going into lock out mode):
 - a) Wait 5 minutes - turn the system off by pressing the ON/OFF button on the remote.
 - b) After approximately 2 seconds press the ON/OFF button again.
 - c) Unit will repeat step 2.
 - 6) If the appliance will not operate, follow the instructions, "To Turn Off Gas to Appliance" and call your service technician or gas supplier. This appliance is equipped with an on-demand pilot that shuts off after seven days.
- 1) **STOP!** Lisez les instructions de sécurité sur la portion supérieure de cette étiquette.
 - 2) S'assurer que le commutateur principal est en position ON et/ou que le bloc-piles mural (le cas échéant) est en position <REMOTE>.
 - 3) Appuyer sur la touche ON/OFF de la télécommande puis relâcher. Un bip sonore retentira depuis le récepteur. Si vous n'utilisez pas la télécommande, l'appareil peut également être allumé en faisant glisser le commutateur du bloc-piles sur la position <ON> (le cas échéant).
 - 4) Après environ 4 secondes, le système d'allumage produira une étincelle pendant 60 secondes pour allumer le brûleur principal.
 - 5) L'appareil s'allumera.
Remarque : Au premier allumage, le système tente d'allumer les flammes pendant 60 secondes. Si l'essai est infructueux, le système fera une pause de 35 secondes. C'est ce qu'on appelle l'étape de rectification. Ce délai écoulé, le système tente à nouveau d'allumer les flammes en produisant des étincelles pendant 60 secondes. Si les flammes ne s'allument toujours pas, le système se met en mode verrouillage.
Il faut alors le réinitialiser en suivant les étapes ci-dessous (pour le déverrouiller) :
 - a) Attendre 5 minutes et éteindre l'appareil en appuyant sur la touche ON/OFF de la télécommande.
 - b) Attendre 2 secondes et appuyer encore une fois sur la touche ON/OFF.
 - c) L'appareil répètera l'étape 2.
 - 6) Si l'appareil ne fonctionne pas, suivez les instructions "Pour couper le gaz au niveau de l'appareil" et appelez un technicien qualifié ou votre fournisseur de gaz.
Cet appareil est équipé d'une veilleuse sur demande qui s'éteint après sept jours.

TO TURN OFF GAS TO APPLIANCE / POUR COUPER LE GAZ AU NIVEAU DE L'APPAREIL

- 1) Press the ON/OFF button on the remote or slide the wall mount switch to the "OFF" position.
- 2) If service is to be performed—you must disconnect power and shut off gas to the unit.
- 1) Appuyer sur la touche ON/OFF de la télécommande ou faites glisser l'interrupteur mural sur la position "OFF".
- 2) Lors de l'entretien de l'appareil, vous devez débrancher l'alimentation électrique et couper le gaz alimentant l'appareil.

DO NOT REMOVE THIS INSTRUCTION PLATE

NE PAS ENLEVER CETTE ÉTIQUETTE D'INSTRUCTIONS

919-649b

owner's information

Lighting Procedure

IMPORTANT: The Proflame Transmitter 2 is an integrated part of the Proflame 2 System, which consists of these elements:

- Proflame 2 Transmitter, to be used in conjunction with:
- Integrated Fireplaces Control (Proflame 2 IFC)

The Proflame 2 Transmitter provides for controlling the following hearth appliance functions:

1. Main Burner On/Off
2. Main Burner flame modulation (6 levels)
3. Choice of standing or intermittent pilot (CPI/IPI)
4. Thermostat and Smart thermostat functions
5. Accent light modulation (6 levels)**
6. Split flow valve**
7. Comfort Fan speed modulation (6 levels)**

** This feature is not available on any Hampton models.

The Proflame Transmitter uses a streamline design with a simple button layout and informative LCD display (Fig. 1). A Mode Key is provided to index between the features and a Thermostat Key is used to turn on/off or index through Thermostat functions (Fig. 1 & 2). Additionally, a Key Lock feature is provided (Fig. 22).



Figure 1: Proflame Transmitter

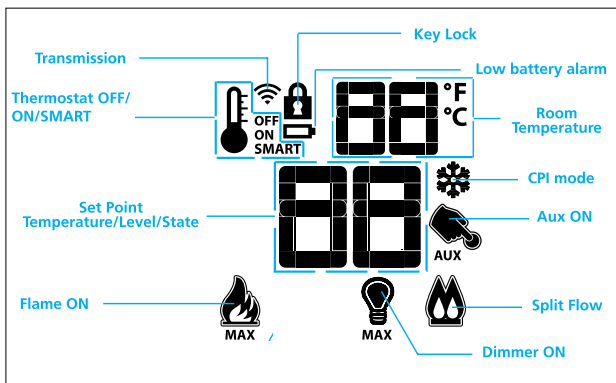


Figure 2: Transmitter LCD Display



TECHNICAL DATA REMOTE CONTROL	
Supply Voltage	4.5V (three 1.5V AAA batteries)
Ambient temperature ratings	0 - 50°C (32 - 122°F)
Radio Frequency	315 MHZ

WARNING: THE TRANSMITTER AND IFC ARE RADIO FREQUENCY DEVICES.

ATTENTION!

- Turn "OFF" the main gas supply of the appliance during installation or maintenance of the IFC.

- Turn "OFF" main gas supply to the appliance prior to removing or reinserting the batteries.

- In case of remote control malfunction, turn off the IFC device using the "ON/OFF" main switch.

- For installation / maintenance, switch off the IFC device removing main power supply plug.

OPERATING PROCEDURE

Pairing the remote control to remote receiver/battery holder (if required)

Power the receiver. Press the PRG button located on the top right hand corner of receiver. The receiver will beep three times to indicate that it is ready to synchronize with a transmitter. Install the 3 AAA type batteries in the transmitter battery bay, located on the base of the transmitter (Fig. 3). With the batteries already installed in the transmitter, push the ON button. The receiver's command is accepted and sets to the particular code of that transmitter. The system is now initialized.

(*) The receiver may be independent or integral to the IFC hearth appliance control module. The receiver instruction may not be independent when part of the IFC.



Figure 3: Battery Compartment

Note: Only use regular alkaline batteries. Do not use rechargeable or lithium batteries.

Temperature indication Display

With the system in the "OFF" position, press the Thermostat Key and the Mode Key at the same time. Look at the LCD screen on the transmitter to verify that a C or F is visible to the right of the room temperature display (Fig. 4 & 5).

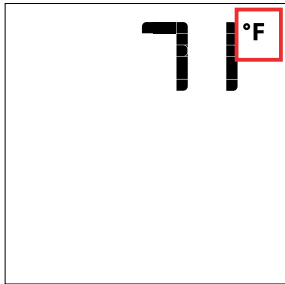


Figure 4: Remote Control display in Fahrenheit.

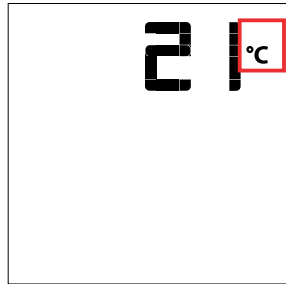


Figure 5: Remote Control display in Celsius.

Turn on the Appliance

With the system OFF, press the ON/OFF Key on the Transmitter. The Transmitter display will show some other active Icons on the screen. At the same time the IFC will activate the appliance. A single "beep" from the IFC will confirm reception of the command.

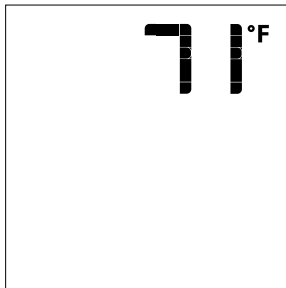


Figure 6: Remote Control display

Turn off the Appliance

With the system ON, press the ON/OFF Key on the Transmitter. The Transmitter LCD display will only show the room temperature (Fig. 6). At the same time the IFC will turn off the appliance. A single "beep" from the IFC confirms reception of the command.

Remote-Flame Control

The Proflame has six (6) flame levels. With the system on, and the flame level at the maximum in the appliance, pressing the Down Arrow Key once will reduce the flame height by one step until the flame is turned off. The Up Arrow Key will increase the flame height each time it is pressed. If the Up Arrow Key is pressed while the system is on but the flame is off, the flame will come on in the high position (Fig. 7 & 8). A single "beep" will confirm reception of the command.

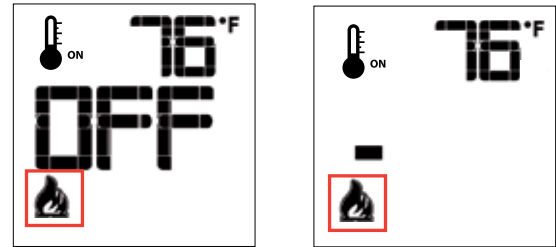


Fig. 7

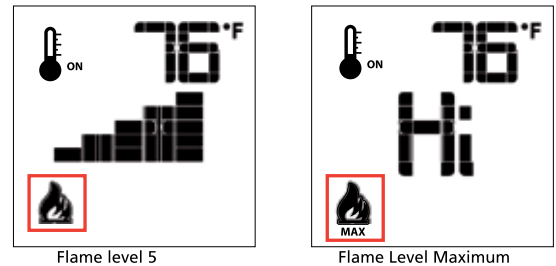


Fig. 8

Room Thermostat (Transmitter Operation)

The Remote Control can operate as a room thermostat. The thermostat can be set to a desired temperature to control the comfort level in a room. To activate this function, press the Thermostat Key (Fig. 1). The LCD display on the Transmitter will change to show that the room thermostat is "ON" and the set temperature is now displayed (Fig. 9). To adjust the set temperature, press the Up or Down Arrow Keys until the desired set temperature is displayed on the LCD screen of the Transmitter.

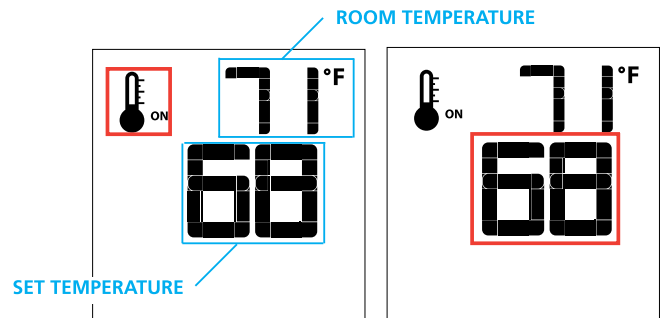


Figure 9

Figure 10

owner's information

Smart Thermostat (Transmitter Operation)

The Smart Thermostat function adjusts the flame height in accordance to the difference between the set point temperature and the actual room temperatures. As the room temperature gets closer to the set point the Smart Function will modulate the flame down.

To activate this function, press the Thermostat Key (Fig. 1) until the word "SMART" appears to the right of the temperature bulb graphic (Fig. 11). To adjust the set temperature, press the Up or Down Arrow Keys until the desired set temperature is displayed on the LCD screen of the Transmitter (Fig. 12).

Note. When Smart Thermostat is activated, manual flame height adjustment is disabled.

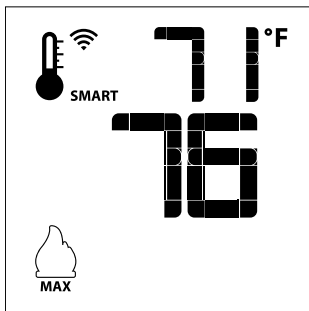


Figure 11: Smart Flame Function

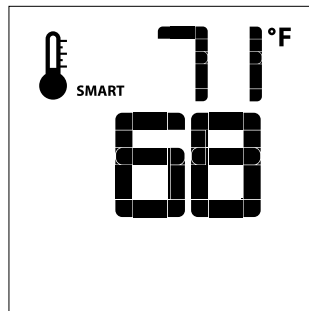


Figure 12

Fan Speed Control**

If the appliance is equipped with a hot air circulating fan, the speed of the fan can be controlled by the Proflame system. The fan speed can be adjusted through six (6) speeds. To activate this function use the Mode Key (Fig.1) to index to the fan control icon (Fig. 13). Use the Up/Down Arrow Keys (Fig.1) to turn on, off or adjust the fan speed (Fig. 14). A single "beep" will confirm reception of the command.

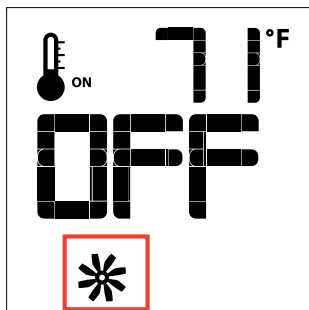


Figure 13

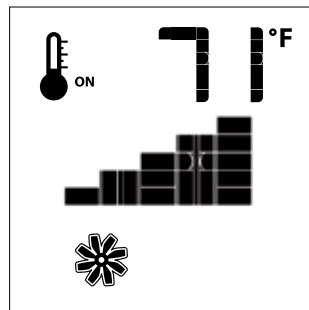


Figure 14

Remote dimmer control (Light)**

The auxiliary function controls the AUX power outlet by the dimmable light control. To activate this function use the Mode Key (Fig. 1) to index to the AUX icon (Fig. 15 & 16).

The intensity of the output can be adjusted through six (6) levels. Use the Up/Down Arrow Keys (Fig.1) adjust the output level (Fig. 16). A single "beep" will confirm reception of the command.

Note: This function is available only with the IFC Control Module.

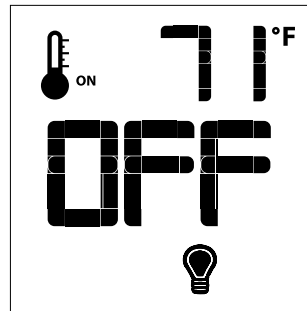


Figure 15

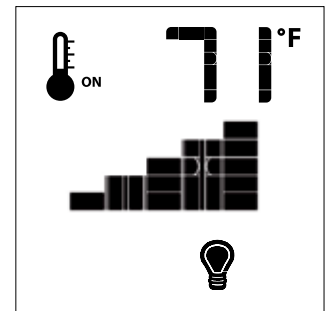


Figure 16

Split Flow control**

The secondary burner is controlled by the split Flow. To activate this function use the Mode Key (Fig. 1) to index to the SPLIT FLOW mode icon (Fig. 17 & 18).

Pressing the Up Arrow Key will activate the secondary burner. Pressing the Down Arrow Key will turn the secondary burner off. A single "beep" will confirm the reception of the command.

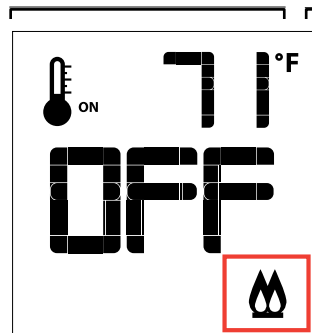


Figure 17

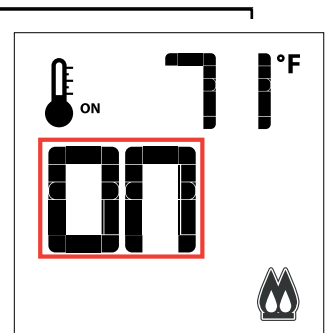


Figure 18

Continuous Pilot/Intermittent Pilot (CPI/IPI) selection

Note: Power vent models do not have a Continuous Pilot option.

With the system in "OFF" position press the Mode Key (fig. 1) to index to the CPI mode icon (fig. 19 & 20). Pressing the Up Arrow Key will activate the Continuous Pilot Ignition mode (CPI). Pressing the Down Arrow Key will return to IPI. A single "beep" will confirm the reception of the command.

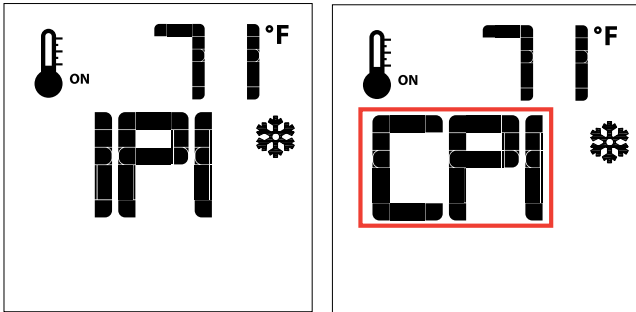


Figure 20

CPI/IPI Switch

This appliance comes equipped with a CPI/IPI switch. The functions of both the CPI/IPI switch are as follows:

Continuous pilot (CPI) - A pilot that when in operation, is intended to remain continuously ignited until it is manually interrupted.

Intermittent pilot (IPI) - A pilot that is automatically ignited when an appliance is called on to operate and which remains continuously ignited during each period of main burner operation. The pilot is automatically extinguished when each main burner operating cycle is completed. The mode of the fireplace is easily changed from an intermittent pilot ignition system (IPI) to a continuous pilot ignition system (CPI) by using remote control as noted above.

The benefits of having as CPI are as follows:

- Keeps venting primed for trouble free start-up under colder weather conditions or inversions.
- Keeps the unit glass warm, which decreases the amount of condensation on start-up
- Provides owners with flexibility to choose a traditional continuous pilot. The primary benefit of having the IPI function is a significant savings on fuel as the pilot will only run when there is a call for heat.

Thermostat Icon: If the thermostat icon is not present on the remote transmitter, follow instructions noted below:

1. Remove one battery from the remote.
2. Press and hold down the Thermostat button on the remote.
3. Reinstall the battery (removed in Step 1) while still holding down thermostat button.
4. If you see "Set" the thermostat option is now enabled. If you see "Clr" the thermostat option is now disabled.
5. Repeat the procedure if the "Set" or "Clr" to remove or add the option back to the remote did not appear.

Enable all other functions if not present on the remote transmitter, follow instructions noted below:

1. Remove one battery from remote.
2. Press and hold both the **ON/OFF** and **MODE** button at the same time .
3. Reinstall battery removed in Step 1 while holding both buttons—keep holding buttons, then release the **MODE** button only.
4. The screen will show either "Clr" or "Set" as the first option available is to disable or enable a mode.

5. "Clr" will remove a mode—use the up or down arrow while holding down **ON/OFF** and **MODE** (mode icon will disappear once removed).
6. Use the "**MODE**" button to move to the next function.
7. "Set" will add a mode —use the up or down arrow while holding down **ON/OFF** and **MODE** (mode icon will appear when added).
8. Use the "**MODE**" button to move to the next function.

Note: You should never program out the fan (if installed) or CPI/IPI mode on the remote.

Key Lock

This function will lock the keys to avoid unsupervised operation. To activate this function, press the MODE and UP Keys at the same time (Fig. 21). To de-activate this function, press the MODE and UP Keys at the same time.

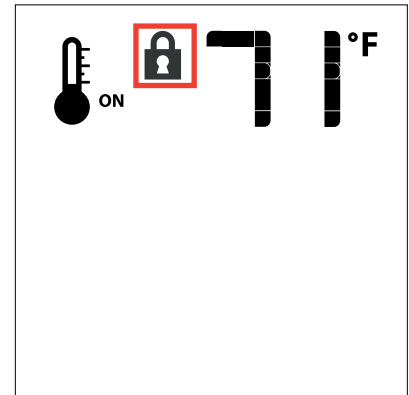


Figure 21

Low Battery Power Detection

Transmitter

The life span of the remote control batteries depends on various factors: quality of the batteries used, the number of ignitions of the appliance, the number of changes to the room thermostat set point, etc.

When the Transmitter batteries are low, a Battery Icon will appear on the LCD display of the Transmitter (Fig. 22) before all battery power is lost. When the batteries are replaced this Icon will disappear.

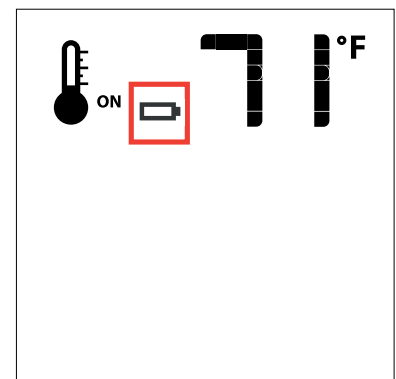


Figure 22

owner's information

Proflame II Battery Holder Battery Replacement & Battery Pack up if 120 Volt Power is lost

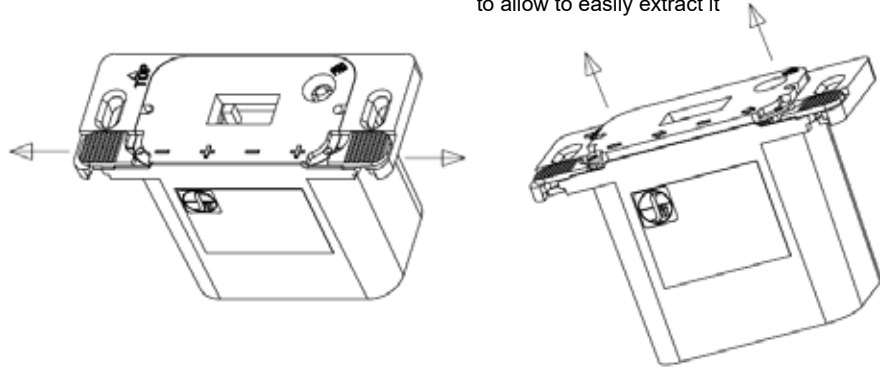
How to replace/add the batteries on battery holder (Proflame 2).

Note : If a wall switch cover plate is installed, first remove cover plate by removing 2 small phillips head screws

STEP 1

Move both the left/right slides as shown below.

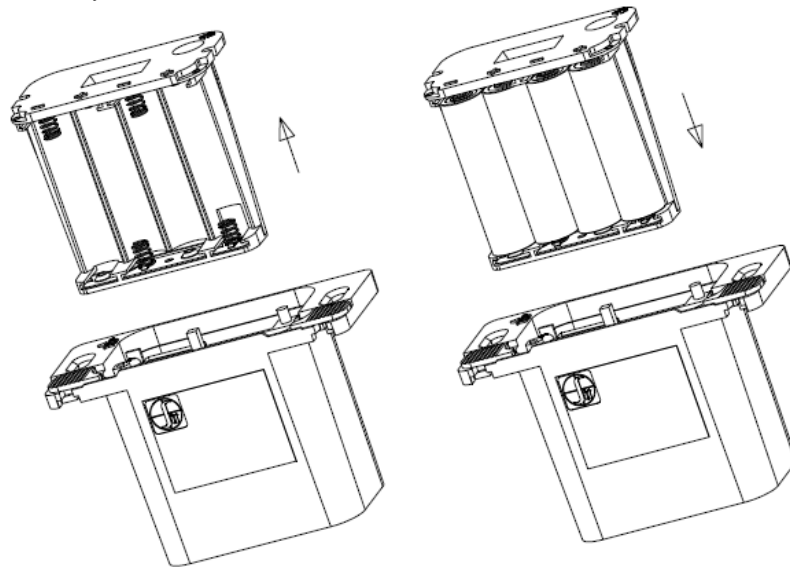
The battery compartment will be pushed out slightly, to allow to easily extract it



STEP 2

Extract the battery compartment from the remote receiver/battery holder

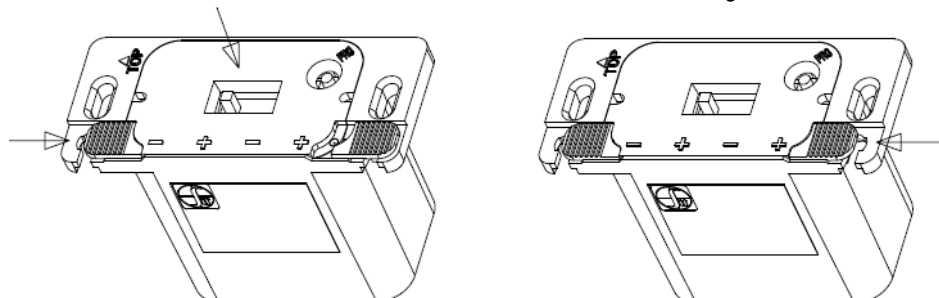
Replace 4 x AA batteries and insert the battery compartment back into remote receiver/battery holder



STEP 3

Keeping the battery compartment pressed in, close the left slide

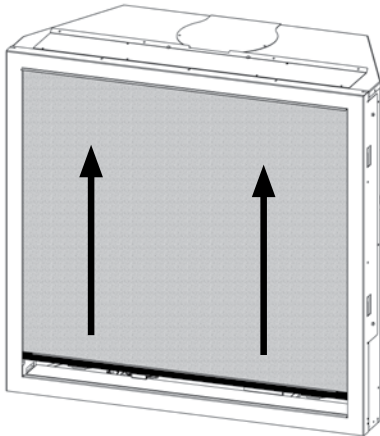
Close the right slide



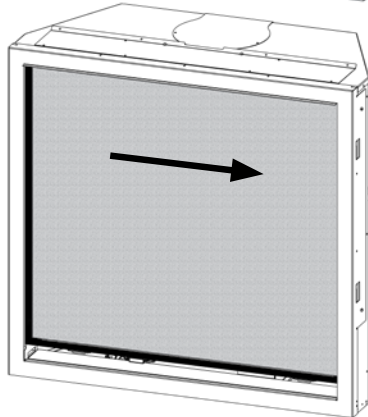
STEP 4 Reinstall wall cover plate with 2 Phillips head screws.

Safety Screen Removal

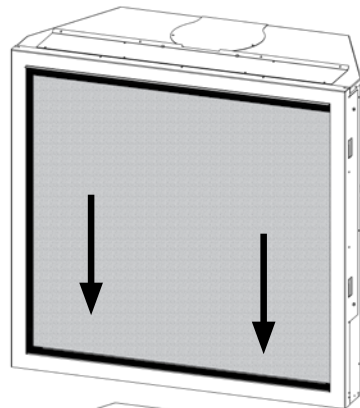
1. Slide screen up.



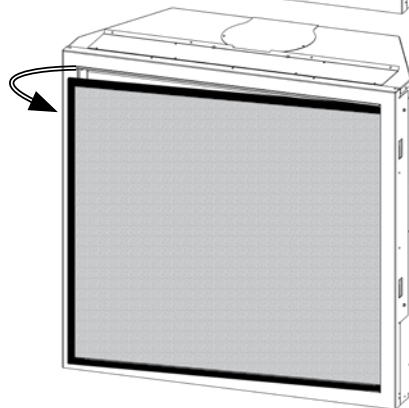
2. Slide screen right.



3. Lower screen down.



4. Swing screen outwards while keeping the screen level and remove.



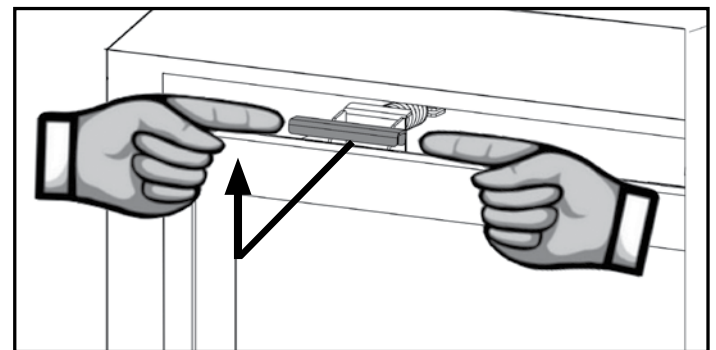
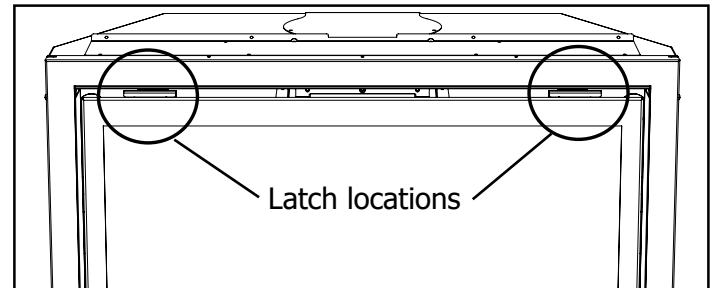
Safety Screen Installation

1. To install the safety screen—Reverse steps above.

Glass Door Removal

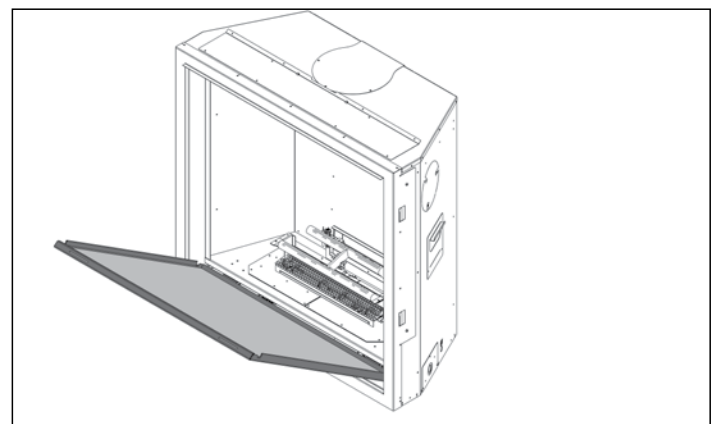
1. To remove the glass door - place both hands on either side of the latch. Pull forward then up to unlock, repeat on opposite side.

Important: After releasing the latches, support the weight of the door.



2. With both latches released, support the door with both hands and tilt out to approximately a 60 degree angle.

3. Lift the door up and out of lower slots to remove.



Glass Door Installation

1. To install the door—Reverse steps above.



installer's information

Important Message

SAVE THESE INSTRUCTIONS

The G800EC Direct Vent Fireplace must be installed in accordance with these instructions. Carefully read all the instructions in this manual first. Consult the "authority having jurisdiction" to determine the need for a permit prior to starting the installation. It is the responsibility of the installer to ensure this fireplace is installed in compliance with manufacturer's instructions and all applicable codes.

General Safety Information

1. The appliance installation must conform with local codes or, in the absence of local codes, with the current Canadian or National Gas Codes, CSA B149.1 or ANSI Z223.1 Installation Codes.
2. The appliance when installed, must be electrically grounded in accordance with local codes, or in the absence of local codes with the current National Electrical Code, ANSI/NFPA 70 or CSA C22.1 Canadian Electrical Code.
3. See general construction and assembly instructions. The appliance and vent should be enclosed.
4. This appliance must be connected to the specified vent and termination cap to the outside of the building envelope. Never vent to another room or inside a building. Make sure that the vent is fitted as per Venting instructions.
5. Inspect the venting system annually for blockage and any signs of deterioration.
6. Venting terminals shall not be recessed into a wall or siding.
7. Any safety glass removed for servicing must be replaced prior to operating the appliance.
8. To prevent injury, do not allow anyone who is unfamiliar with the operation to use the fireplace.
9. Wear gloves and safety glasses for protection while doing required maintenance.
10. Be aware of electrical wiring locations in walls and ceilings when cutting holes for termination.
11. Under no circumstances should this appliance be modified. Parts that have to be removed for servicing should be replaced prior to operating this appliance.
12. Installation and any repairs to this appliance should be done by a qualified service person. A professional service person should be called to inspect this appliance annually. Make it a practice to have all of your gas appliances checked annually.
13. Do not slam shut or strike the glass door.
14. Under no circumstances should any solid fuels (wood, paper, cardboard, coal, etc.) be used in this appliance.
15. The appliance area must be kept clear and free of combustible materials, (gases and other flammable vapours and liquids).

CAUTION: Label all wires prior to disconnection when servicing controls. Wiring errors can cause improper and dangerous operation. Verify proper operation after servicing.

Installation Checklist

1. Locate appliance
 - a) Room location (Refer to "Locating Your Gas fireplace" section)
 - b) Clearances to Combustibles (Refer to "Clearances" section)
 - c) Mantle Clearances (Refer to "Combustible Mantel Clearances" section)
 - d) Framing & Finishing Requirements (Refer to "Framing & Finishing" section)
 - e) Venting Requirements (Refer to "Venting" section)
2. Assemble Top Standoffs and Top Facing Support and Side Nailing Strips (Refer to "Unit Assembly Prior to Installation" Section).
NOTE: Must be done before installing unit into place.

IMPORTANT: If installing the fan kit or changing this from rear vent to top vent, this must be completed prior to installing the appliance into the framed opening.

3. Install vent (Refer to "Venting" sections).
4. Make gas connections. Test the pilot. Must be as per Diagram (Refer to "Pilot Adjustment" section).

Convert to propane if desired (Refer to "Gas Line Installation" and "Conversion Kit from NG to LPG" sections).

5. Make electrical connections to receptacle supplied with unit (recommended).
6. Install standard and optional features. Refer to the following sections:
 - a. Standard Glass Door
 - b. Rear to top vent conversion
 - c. Coolwall conversion
 - d. Fan Installation (Optional)
 - e. Nailing flange installation
 - f. Electrical access/120 volt power installation by others
 - g. Wall Mount ON/OFF Switch + Battery Holder Installation
 - h. Coolwall Clearances/Framing/Finishing
 - i. Clean Front Clearance/ Framing/Finishing
 - j. Outside Finish Clearance/ Framing/ Finishing
 - k. LP Conversion (optional)
 - l. Inner Panels or Brick Panels (Must install one of the options)
 - m. Media (Glass crystals)
 - n. Log Set Installation
 - o. Install 4AA batteries into battery pack
 - p. HeatWave Kit

7. Final check.

This includes:

1. Clocking the appliance to ensure the correct firing rate (rate noted on label 27,000 Btu/h for natural gas and propane), after burning appliance for 15 minutes.
2. If required, adjusting the primary air to ensure that the flame does not carbon. First allow the unit to burn for 15-20 min. to stabilize.

CAUTION: Any alteration to the product that causes sooting or carboning that results in damage is not the responsibility of the manufacturer.

Locating Your Gas Fireplace

1. When selecting a location for your fireplace, ensure that the clearances are met.
2. The appliance must be installed on a flat, solid, continuous surface. For example a wood, metal or concrete floor or in a raised (on the wall) application. The appliance must be installed on a metal or wood panel extending the full width and depth of the appliance.
3. The G800EC Gas Fireplace can be installed in a recessed position or framed out into the room as in A, B, C and D. See Diagram 1.

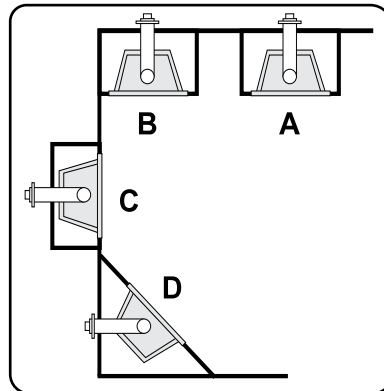


Diagram 1

- A)** Flat on Wall
- B)** Flat on Wall Corner
- C)** Recessed into Wall/Alcove
- D)** Corner

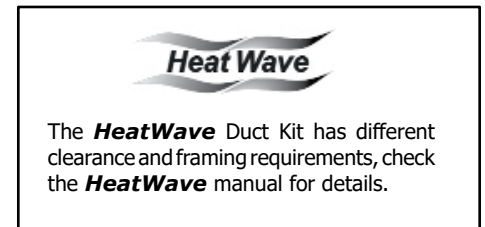
4. This appliance is Listed for bedroom installations using the standard Remote (millivolt thermostat system). Some areas may have further requirements, check local codes before installation.
5. The G800EC Gas Fireplace are approved for alcove installations, see "Clearances" section for details.
6. We recommend that you plan your installation on paper using exact measurements for clearances and floor protection before actually installing this appliance. Have an authorized inspector, dealer, or installer review your plans before installation.

HeatWave Duct System Optional Kit (Part #946-556)

The **HeatWave** Air Duct Kit increases the effectiveness of your fireplace by dispersing warm air from the fireplace to remote locations in the same room or other rooms in your home.

Up to two kits may be installed on the fireplace.

Please Note: Only 1 HeatWave kit may be operated at one time. This includes the internal blower option as well.



installation

Clearance/Framing and Venting Configurations

The G800EC is designed to allow for unique installation options—depending on the desired finish. Please review the options and follow the specific clearance, framing, and finishing options for that application.

The applications are as follows:

Cool Wall installation-Clean Front & Outside Finish: combustible materials can be installed right up to the fireplace opening with this option.

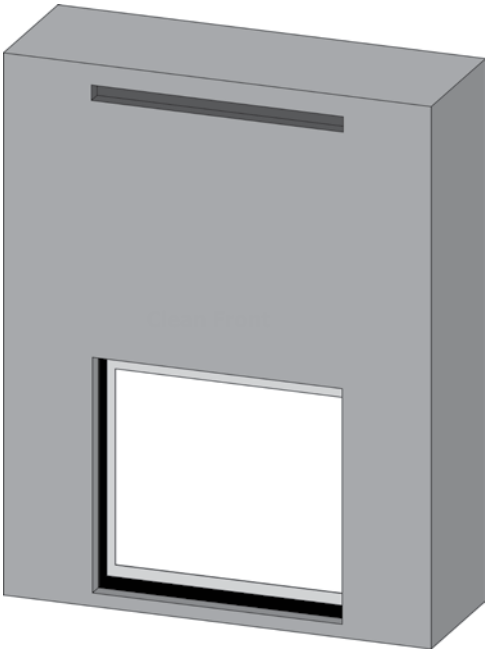
Non Combustible Installation-Clean Front & Outside Finish Applications: non-combustible required when installing materials right to the fireplace opening with this option.

Note: The topics listed below can be found in the pages that follow.

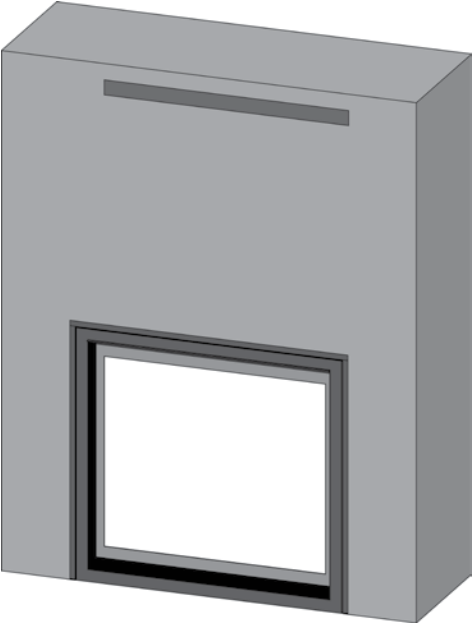
- Cool Wall Installation (Combustible Finishing)
- Non Combustible Installation
- Cool Wall Installation-Cool Wall Conversion
- Cool Wall Clearances
- Cool Wall Mantel Clearances
- Cool Wall Mantel Leg Clearances
- Outside Finish Installation (Non Cool Wall)-Framing
- Chase Venting
- Chase Vent Installation-Cool Wall
- Clean Front Installation (Non Cool Wall)—Clearances
- Clean Front Installation (Non Cool Wall)—Mantel Clearances
- Clean Front Installation (Non Cool Wall)—Mantel Leg Clearances
- Clean Front Installation (Non Cool Wall) — Non Combustible Requirements
- Clean Front Installation-Framing (Non Cool Wall)
- Clean Front Installation
- Optional Clean Front Trim Install Instructions
- Outside Finish Installation (Non Cool Wall)—Clearances
- Outside Finish Installation (Non Cool Wall)—Mantel Clearances
- Outside Finish Installation (Non Cool Wall)—Mantel Leg Clearances
- Outside Finish Installation (Non Cool Wall)—Framing
- Outside Finish-Finishing
- Faceplate Installation
- Faceplate Finishing
- Finishing Trim Install
- Unit Assembly Prior to Installation

Cool Wall Installation (Combustible Finishing)

- Cool Wall Install:
- Vented chase
 - Combustible material can be used all around the fireplace
 - Combustible framing



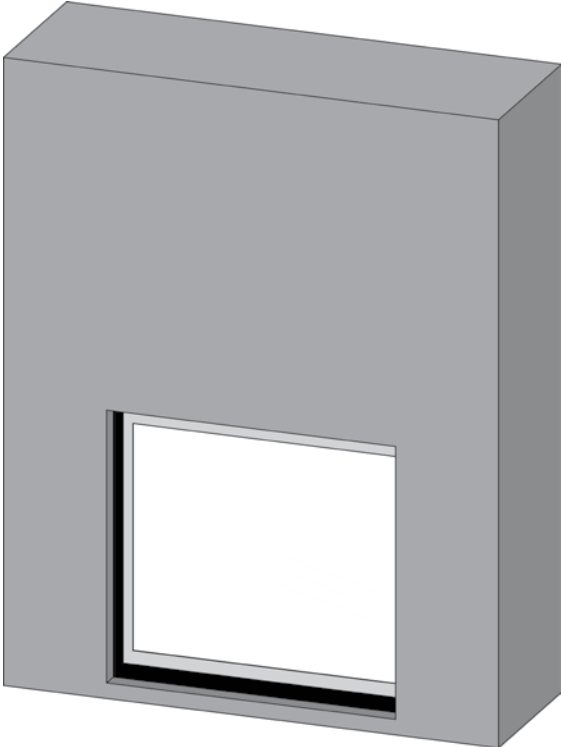
Clean Front



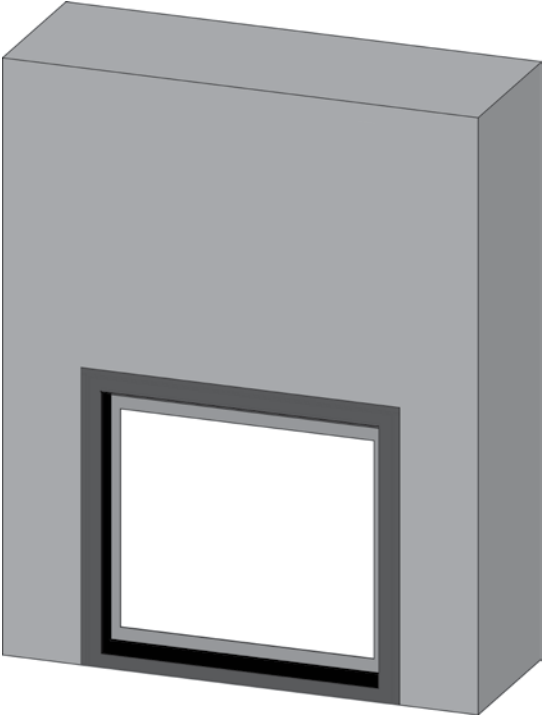
Outside Finish w/ Finishing Trim

Non Combustible Installation

- Install:
- Non-vented chase
 - Non-combustible board required
 - Combustible framing



Clean Front



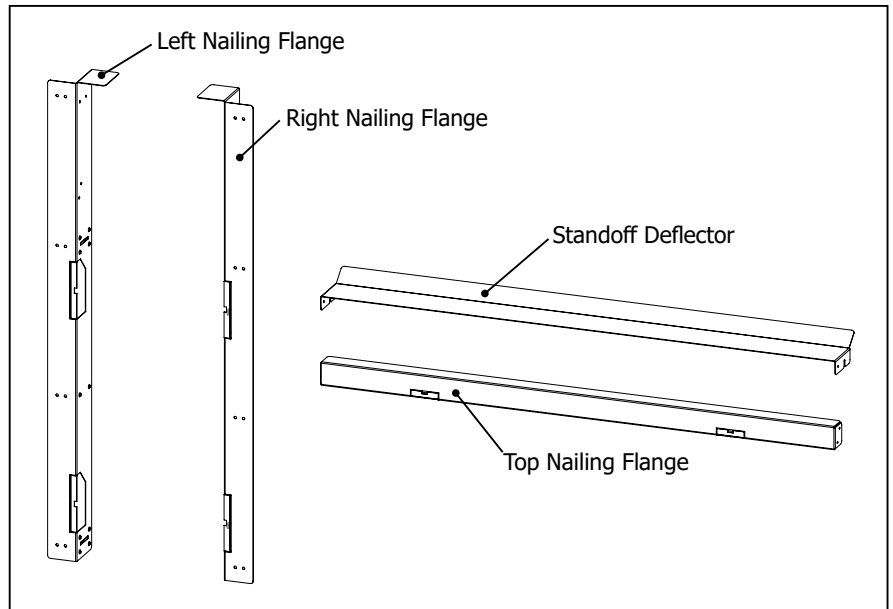
Outside Finish w/ Faceplate

installation

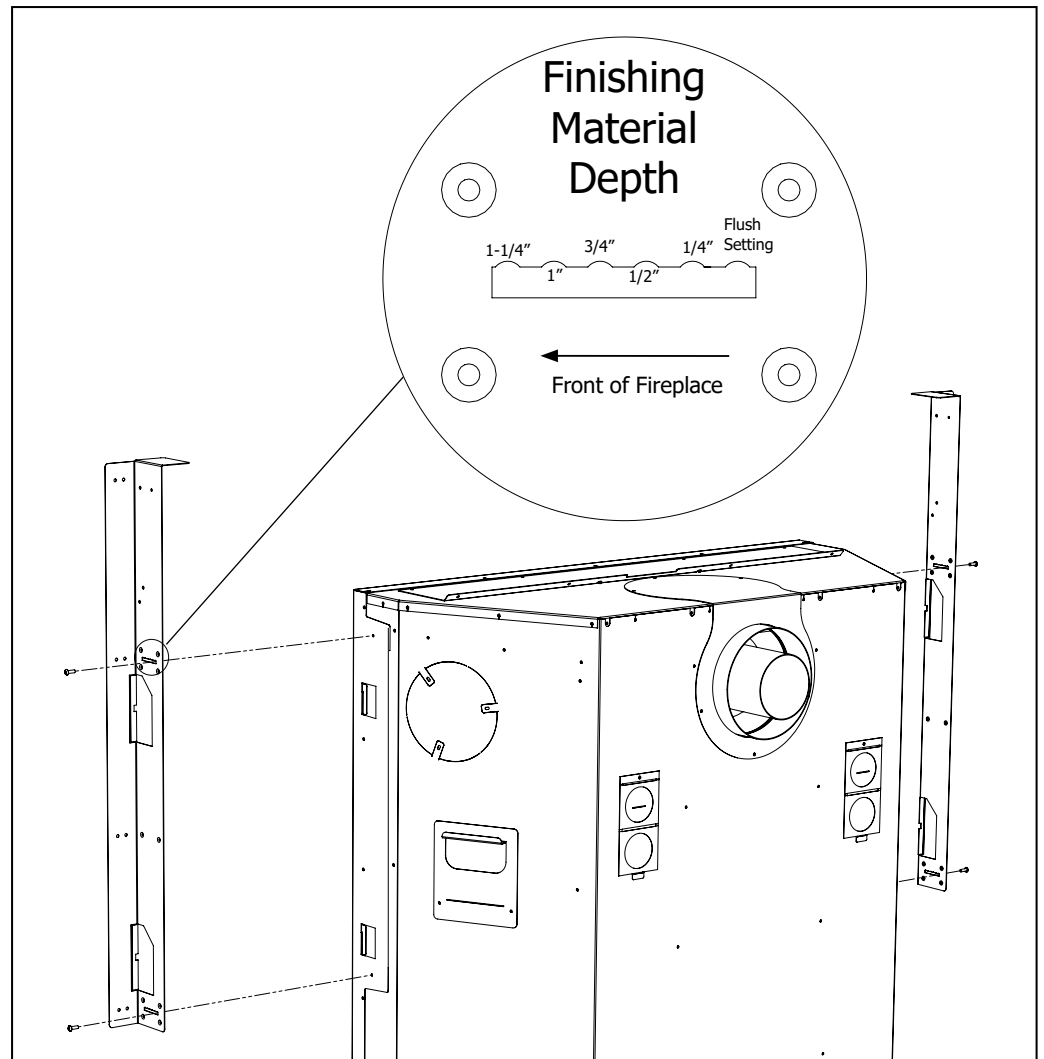
Unit Assembly Prior to Installation (Nailing Flange Installation)

After the framing has been built, the nailing Flanges will need to be set depending on the depth of finishing material being used. Up to 1-1/4" total material thickness can be used, including the backing material. The depth of finishing material can be adjusted in 1/4" increments.

1. Determine the required depth setting for the materials being used.
2. Once the setting has been chosen, install the Left and Right Nailing Flanges with 2 screws on each Flange.

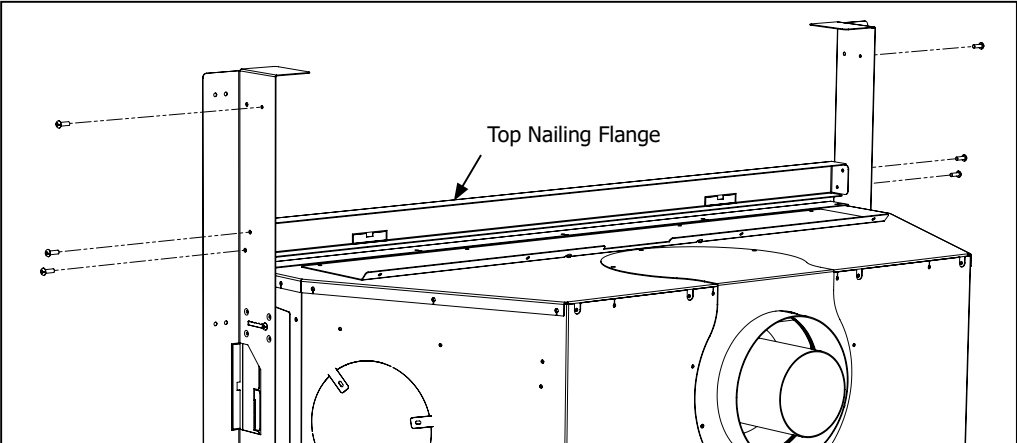


Nailing Flange Parts

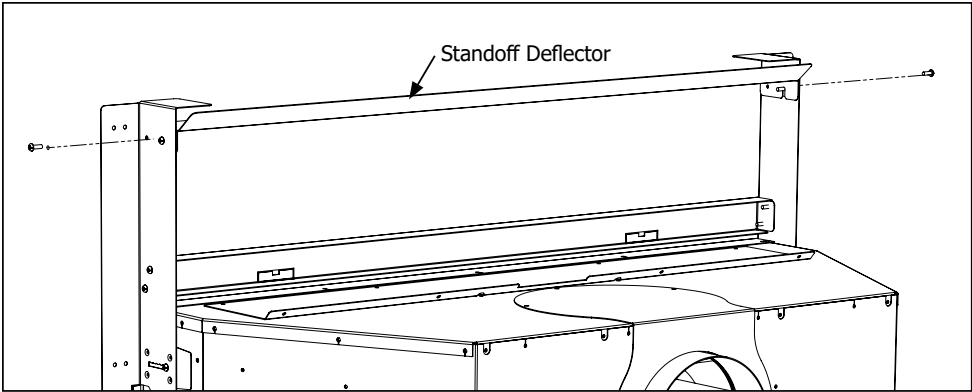


Nailing Flange Installation

- 3. Screw one screw into the rear hole on each Side Nailing Flange.
- 4. Install the Top Nailing Flange with 4 screws.

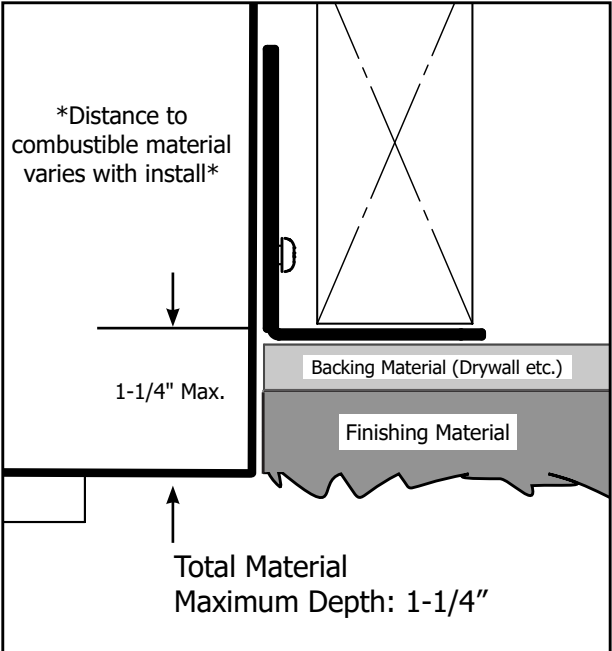
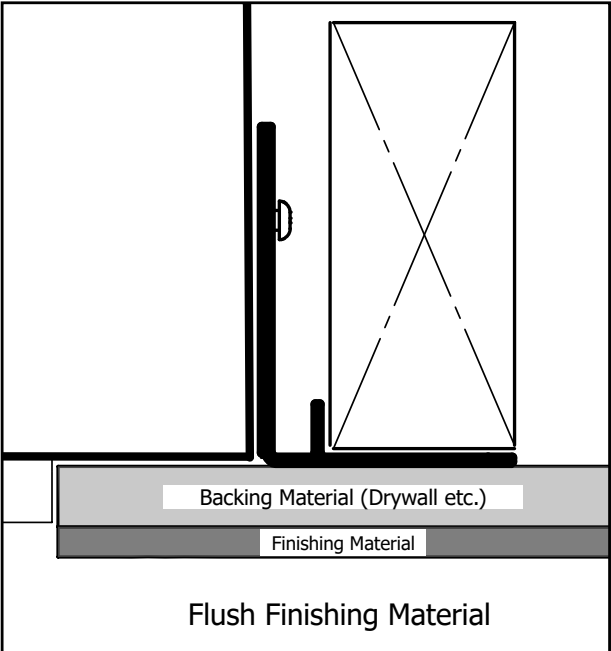


- 5. Slot the Standoff Deflector onto the back screws, then secure the with a screw through the remaining front hole on each flange.



CLEAN FRONT

OUTSIDE FINISH



installation

Cool Wall Clearances

The clearances listed below are minimum distances unless otherwise stated.

A major cause of chimney related fires is failure to maintain required clearances (air space) to combustibles. It is of the greatest importance that this fireplace and vent system be installed only in accordance with these instructions.

Caution Requirements

The top, back and sides of the fireplace are defined by standoffs. The metal ends of the standoff may **NOT** be recessed into combustible construction.

WARNING

Fire hazard is an extreme risk
If these clearances (air space) to combustibles are not adhered to. It is of greatest importance that this fireplace and vent system be installed only in accordance with these instructions.

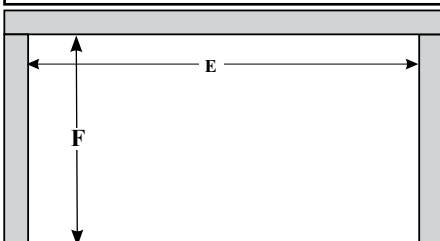
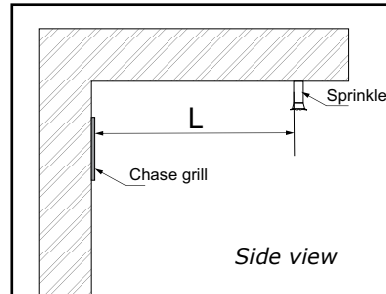
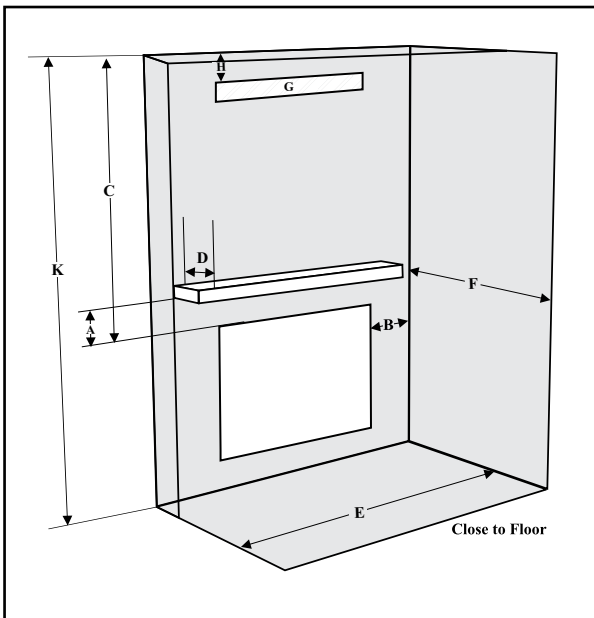
G800EC Clearance Requirements—Cool Wall Installations

Clearance:	Cool Wall - Clean Front	Measured From:
A: Mantel Height (min.)	**0" (0mm)	Top of Fireplace Opening
B: Sidewall	6" (152mm)	Side of Fireplace Opening
C: Ceiling	47-1/2" (1207mm)	Top of Fireplace Opening
D: Mantel Depth (max.)	14" (356mm)	Front of Fireplace Opening
E: Alcove Width	84" (2134mm)	Wall to Wall (Minimum)
F: Alcove Depth	36" (914mm)	Front to Back Wall (Maximum)
G: Convection Air Outlet	66" sq (426cm ²)	Top/Front of Enclosure
H: Convection Air Outlet Opening Offset	0-2" (0-51mm)	*Top of Chase Enclosure
K: Chase Enclosure (Min.)	80" (2032mm)	From Base of Appliance Floor
L: Clearance to Sprinkler Head (Min.)	36" (914mm)	Perpendicular From Chase Grill
Notes:	0"	No Hearth Required

IMPORTANT - *A minimum of 66 square inches of open area, not lower than 0"-2" from top of enclosure, required for all cool wall installations — this can be achieved by having an open area in front. See manual for details.
** An extra 3/4" (19mm) of mantel height is required when using a faceplate.



The **HeatWave** Duct Kit has different clearance and framing requirements, check the **HeatWave** manual for details.



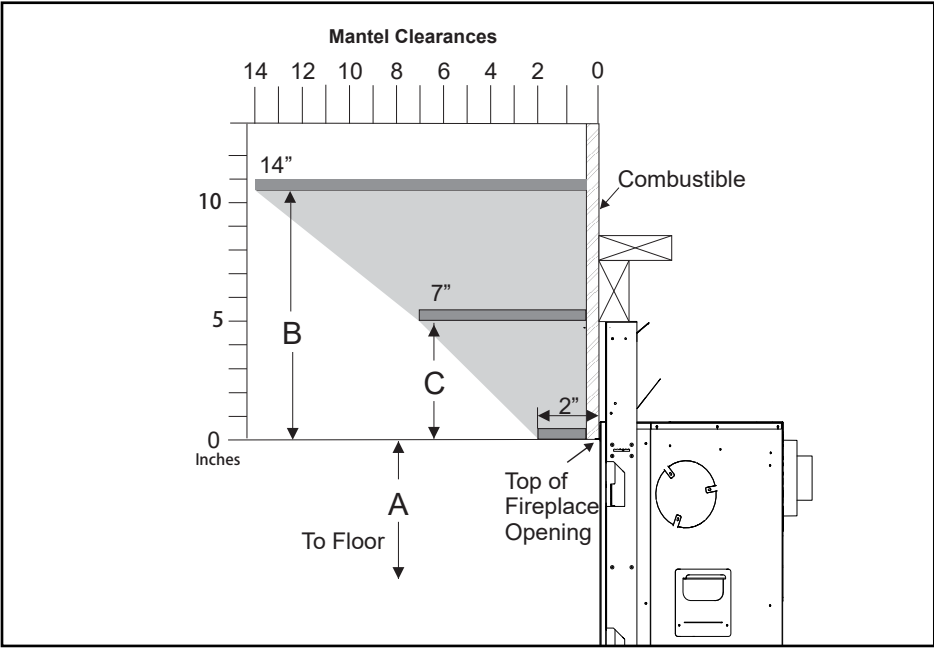
Alcove

Minimum Vent Clearances to Combustibles

Horizontal Top	2" (51mm)
Horizontal Side	1-1/2" (38mm)
Horizontal Bottom	1-1/2" (38mm)
Vertical Vent	1-1/2" (38mm)

Cool Wall Mantel Clearances

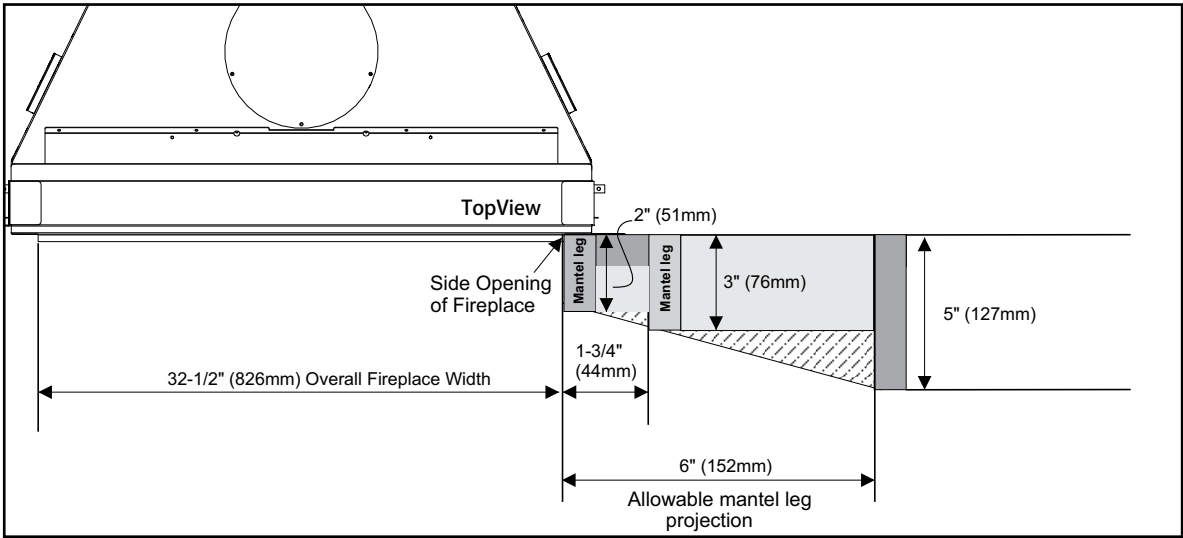
Due to the extreme heat this fireplace emits, the mantel clearances are critical. Combustible mantel clearances from top of front facing are shown in the diagram below.



Mantel Clearances G800EC	A	B	C
From Top of Fireplace Opening	32-1/2" (826mm)	10" (254mm)	5" (127mm)

Note: Ensure the paint that is used on the mantel and the facing is "High Quality" or the paint may discolour.

Cool Wall Mantel Leg Clearances



See framing dimensions on next page.

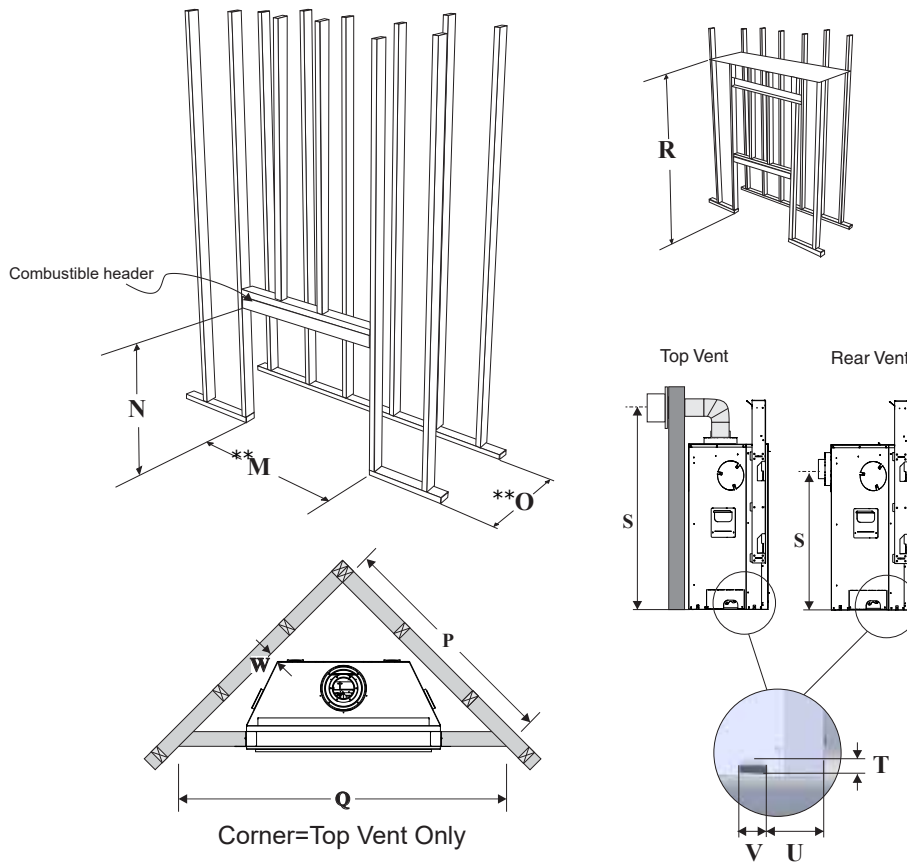
installation

Cool Wall Installation - Framing

Framing Dimensions	Description	Cool Wall	Cool Wall with Finishing Trim or Faceplate
M	Framing Width	36-1/2" (927mm)	37-1/2" (952mm)
N*	Framing Height	43" (940mm)	
O	Framing Depth	16-7/8" (427mm)	
P	Corner Facing Wall Width	42-1/2" (1035mm)	
Q	Corner Facing Wall Width	60" (1524mm)	
R	Framed Chase Ceiling Enclosure	80" (2032mm)	
S (Rear Vent)	Vent Centerline Height - Rear	29" (737mm)	
S (Top Vent)	Vent Centerline Height - Top	44" (1118mm)	
T	Gas Connection Height	1-1/2" (38mm)	
U	Gas Connection Inset	6-3/8" (162mm)	
V	Gas Connection Width	3" (76mm)	
W	Clearance to Corner of Unit	2-3/4" (70mm)	

*** Important: Framing height requires consideration of the hearth height. Dimension N = N + the thickness of the installed hearth.**

Note: The 2 standoffs at the rear of the appliance may be removed as these are not required in this application. Ensure that any screws that are removed are reinstalled. The 2 standoffs can be recycled/discarded.

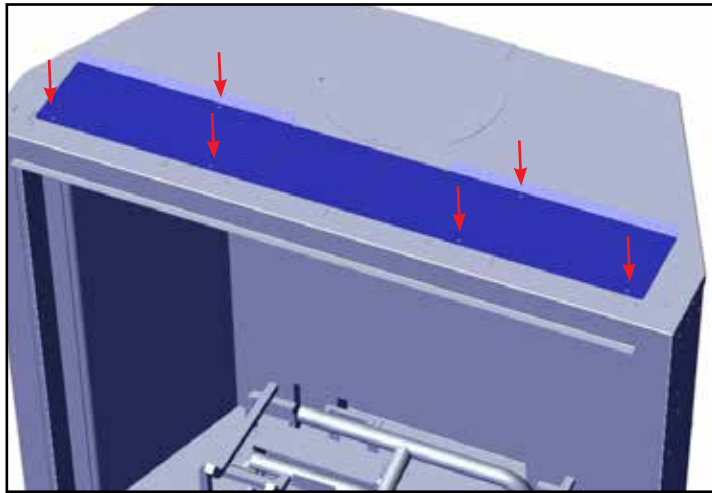


IMPORTANT: Corner applications are vented from the top only - rear venting cannot be used.

**The framing depth/width does not take into account dry wall/wood or similar materials against the back /side wall. The framing depth will need to change based on the thickness of the material
 (example: M - 36-1/2" framing width + 1/2" drywall = 37")
 (example: M Outside finish with finishing trim/faceplate - 37-1/2" framing width + 1/2" drywall = 38")
 (example: O - 16-7/8" framing depth + 1/2" drywall = 17-3/8")

Cool Wall Installation-Cool Wall Conversion

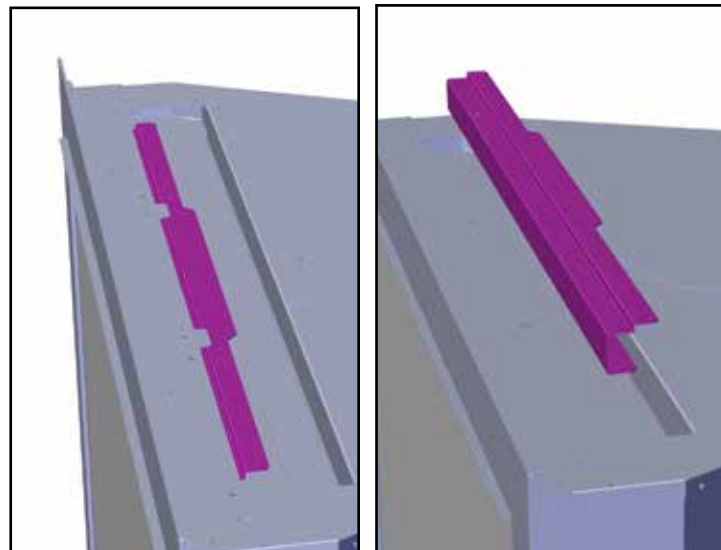
1. Remove six (6) screws to remove top panel.



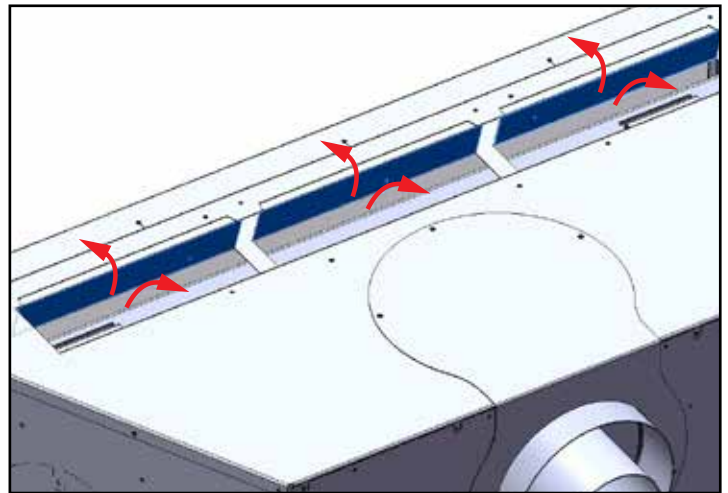
2. Remove insulation from top of unit and discard.



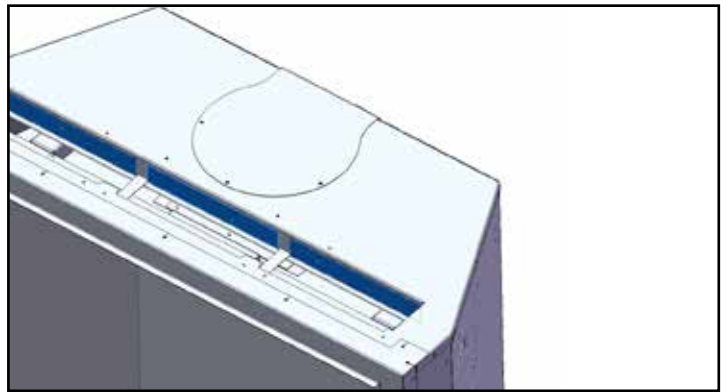
3. Slide out tab as shown to remove—recycle part.



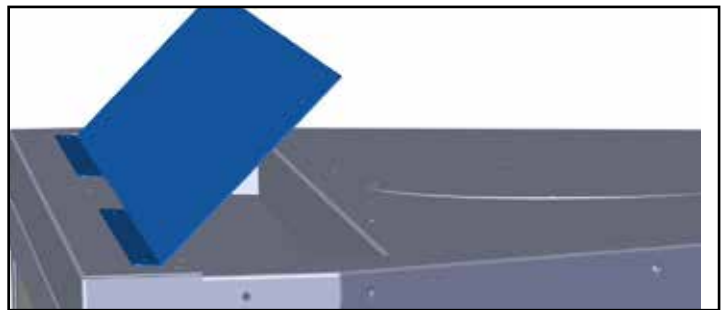
4. Insert a large slotted screwdriver into the slot in between front and back tabs—bend the three (3) tabs up 90° towards the front. DO NOT REMOVE TABS



5. Bend the rear three (3) tabs up 90° towards the back of the unit.



6. Flip top panel 180° and reinstall to top of unit with four(4) screws in locations shown below.



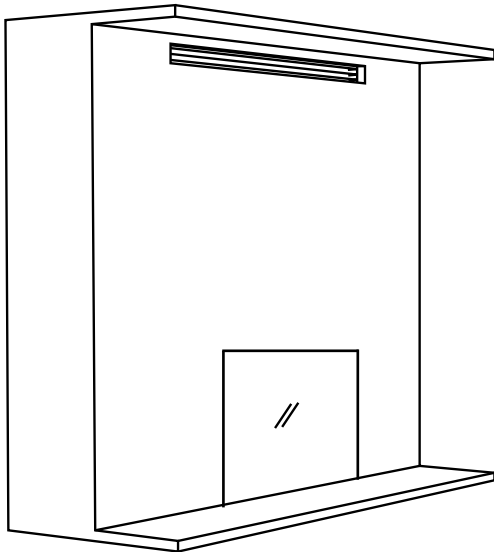
installation

Chase Venting

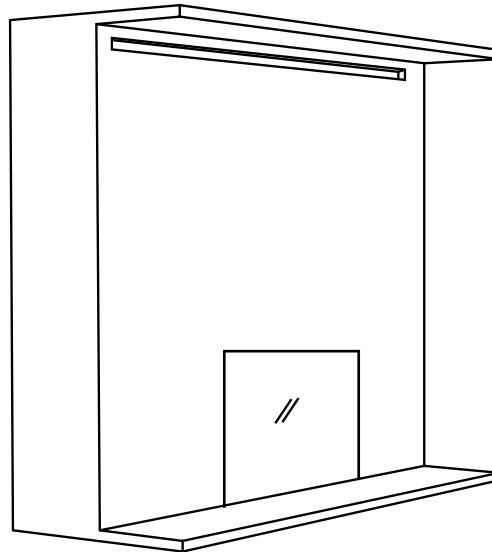
Note: The enclosure opening cannot be any lower than 0-2" from the top of the enclosure for all installations. Minimum height of enclosure from base of appliance is 80" (2032mm).

A minimum 66 in² opening in the enclosure is required to maintain safe operating temperatures. This can be achieved in a number of ways including the examples shown below.

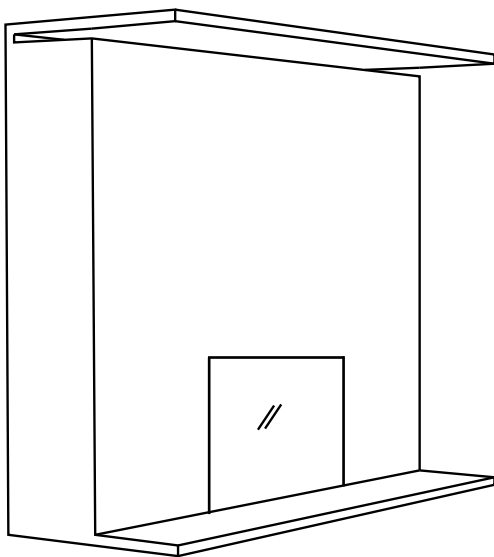
Warning: DO NOT cover or place objects in front of the air outlet(s).



Regency Chase Vent



Custom chase vent



Reveal at the chase top

Chase Enclosure (Cool Wall)

When choosing to install the ventilation openings from the front, the top of the ventilation opening cannot be any lower than 0-2" (51mm) from the top of the chase enclosure for all installations.

Minimum height of enclosure from base of appliance is 80" (2032mm).

A minimum 66in² opening in the enclosure is required to maintain safe operating temperatures. This can be achieved in a number of ways including the examples shown in this manual.

IMPORTANT:

Exterior wall/Alcove enclosure: When installing into an exterior cavity or alcove enclosure (ceiling, back and sides), regardless of where appliance is placed within the home, requires the use of either drywall or other means such as plywood, wood studs, etc. to prevent heat from escaping anywhere above /through the enclosure other than the required grill / ventilation opening.

Internal chase: When installing as an internal chase framing installation, regardless of where appliance is placed within the home, requires the use of either drywall or other means such as plywood, on the rear wall of the chase to eliminate heat escaping into the rear wall cavity. If the chase is extended to the ceiling, the ceiling will also need to be finished in a manner to prevent heat escaping into floor joist/attic space.

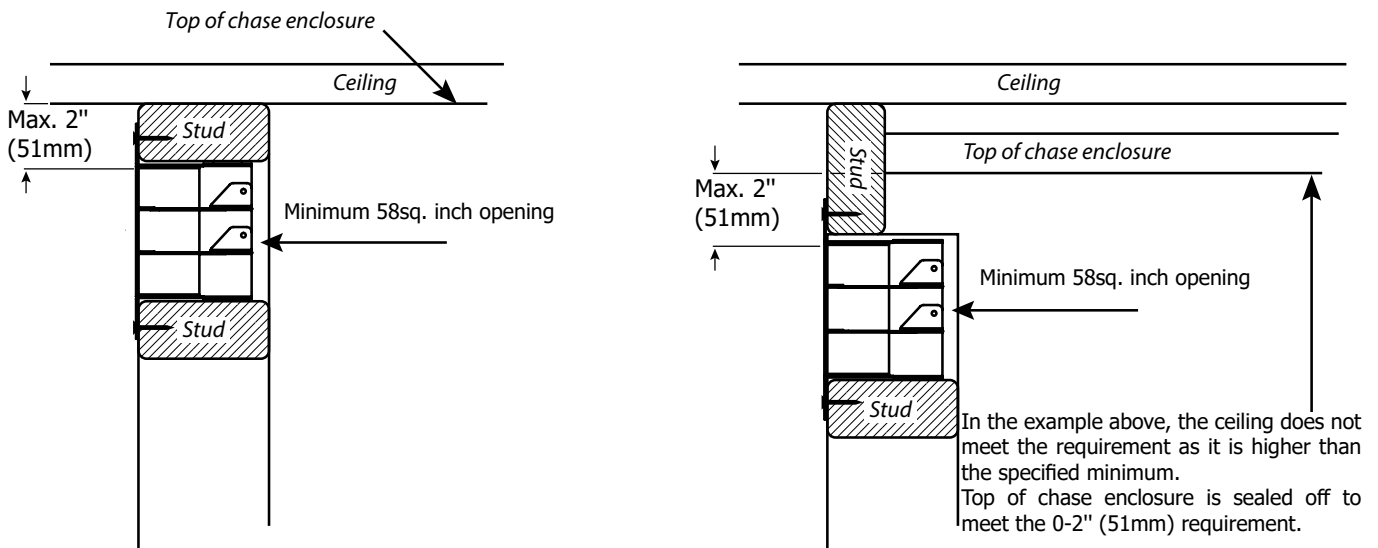
One of the following methods must be used to prevent the heat from escaping.

- If choosing drywall, ensure that the drywall is butt up tight with no gaps.
- Plywood, wood studs, etc. installed tightly with no gaps.

As this appliance has been designed with all hot air escaping through the chase enclosure ventilation/grill openings only, if hot air is trapped as a result of the hot air escaping through joints, crevasses, open studs, or other openings within the enclosure above, this will change the clearances within the enclosure causing the enclosure to overheat. It is vital that all the hot air from within the enclosure exits through the ventilation openings only.

Ensure that the ventilation openings are made as such to prevent debris, objects from falling into the enclosure.

Warning: DO NOT cover or place objects in front of the ventilation opening air outlet(s).

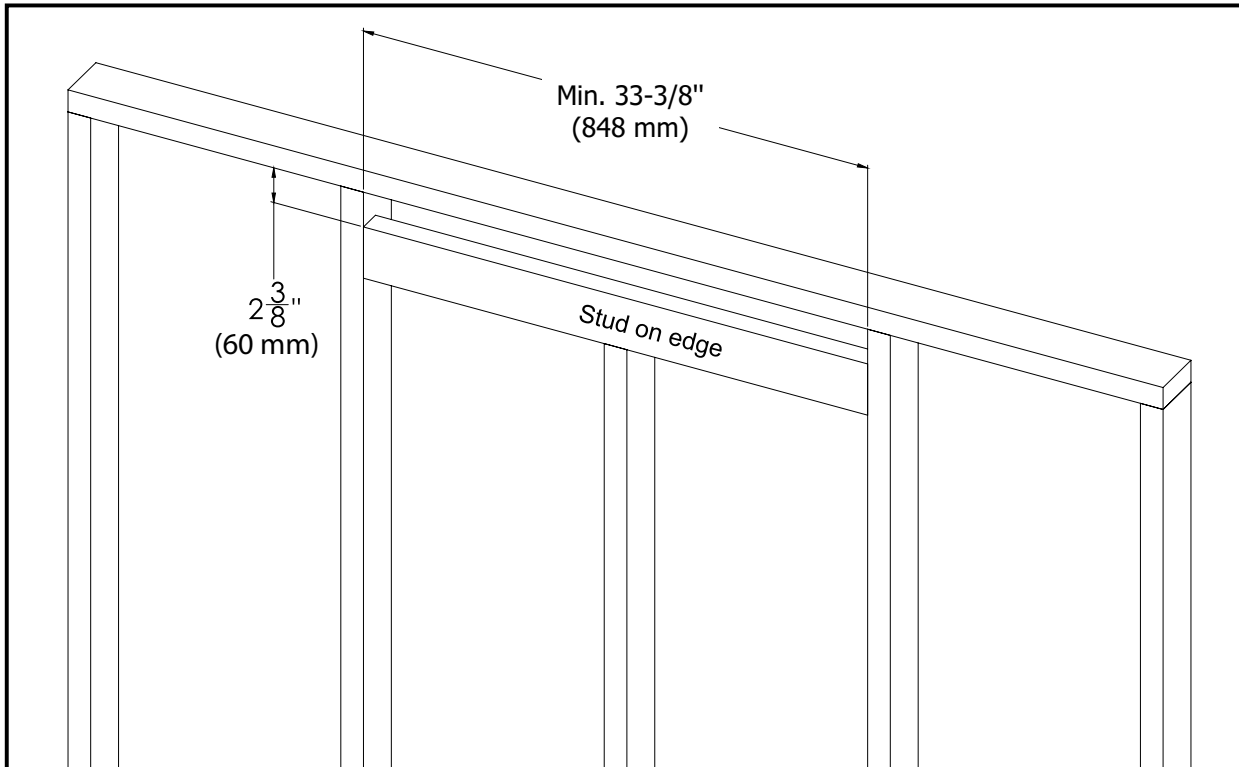


installation

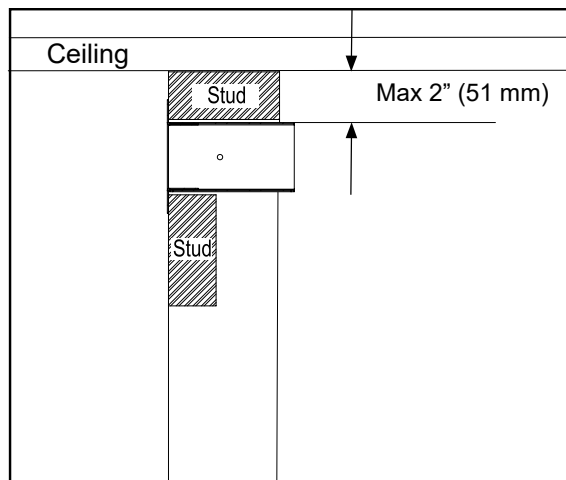
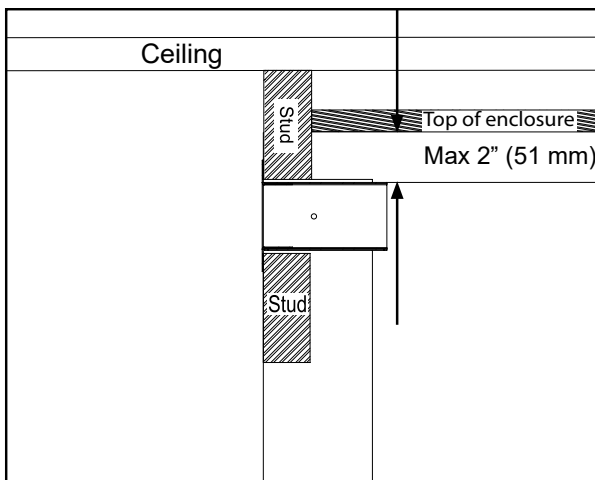
Chase Vent Installation—Cool Wall

Framed opening must be at least 2-3/8" (60mm) tall, and at least 33-3/8" (848mm) wide to accommodate the Chase vent. The top of the Chase vent opening must be 2" or less from the top of the chase enclosure. Fasten the Chase vent with screws and construction adhesive.

If the chase vent is not being used, a minimum 66in² (426cm²) opening in the enclosure is required to maintain safe operating temperatures. This can be achieved in a number of ways including a reveal at the top of the chase.



Side View



Clean Front Installation (Non Cool Wall) - Clearances

The clearances listed below are minimum distances unless otherwise stated:

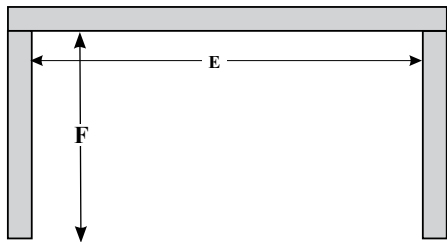
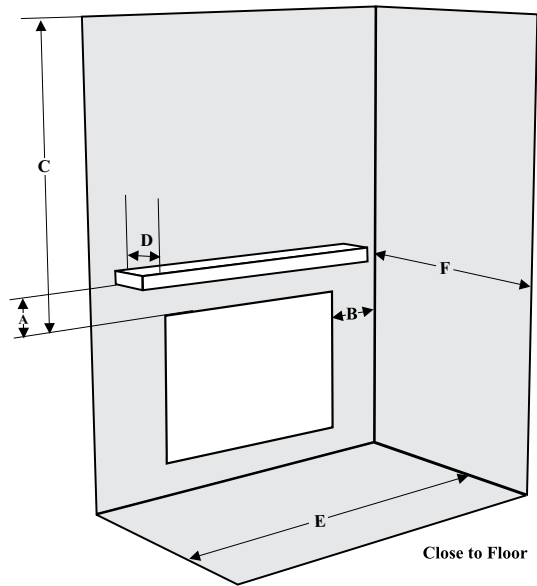
A major cause of chimney related fires is failure to maintain required clearances (air space) to combustible materials. It is of the greatest importance that this fireplace and vent system be installed only in accordance with these instructions.

Caution Requirements
The top, back and sides of the fireplace are defined by standoffs. The metal ends of the standoff may **NOT** be recessed into combustible construction.

WARNING
Fire hazard is an extreme risk if these clearances (air space) to combustible materials are not adhered to. It is of greatest importance that this fireplace and vent system be installed only in accordance with these instructions.

G800EC Clearance Requirements		
Clearance:	Dimension	Measured From:
A: Mantel Height (min.)	11-1/2" (292mm)	Top of Fireplace Opening
B: Sidewall	25" (635mm)	Side of Fireplace Opening
C: Ceiling	36-1/2" (927mm)	Top of Fireplace Opening
D: Mantel Depth (max.)	19" (483mm)	Front of Fireplace Opening
E: Alcove Width	84" (2134mm)	Wall to Wall (Minimum)
F: Alcove Depth	36" (914mm)	Front to Back Wall (Maximum)
Notes:	0"	No Hearth Required


The **HeatWave** Duct Kit has different clearance and framing requirements, check the **HeatWave** manual for details.



Alcove

Minimum Vent Clearances to Combustibles

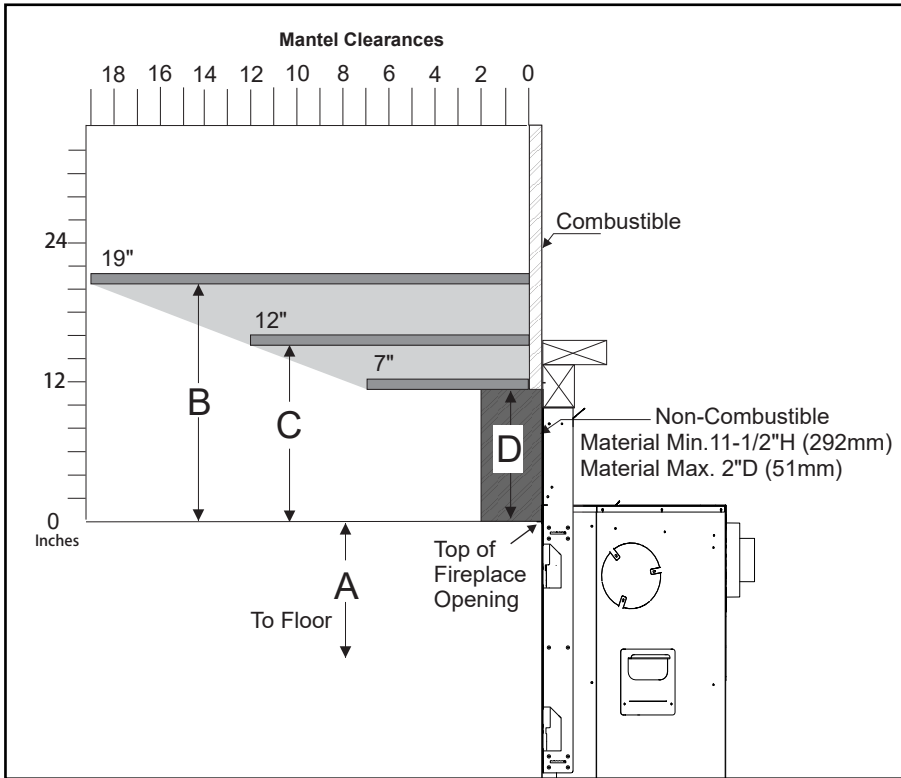
Horizontal Top	2" (51mm)
Horizontal Side	1-1/2" (38mm)
Horizontal Bottom	1-1/2" (38mm)
Vertical Vent	1-1/2" (38mm)

installation

Clean Front Installation (Non Cool Wall) - Mantel Clearances

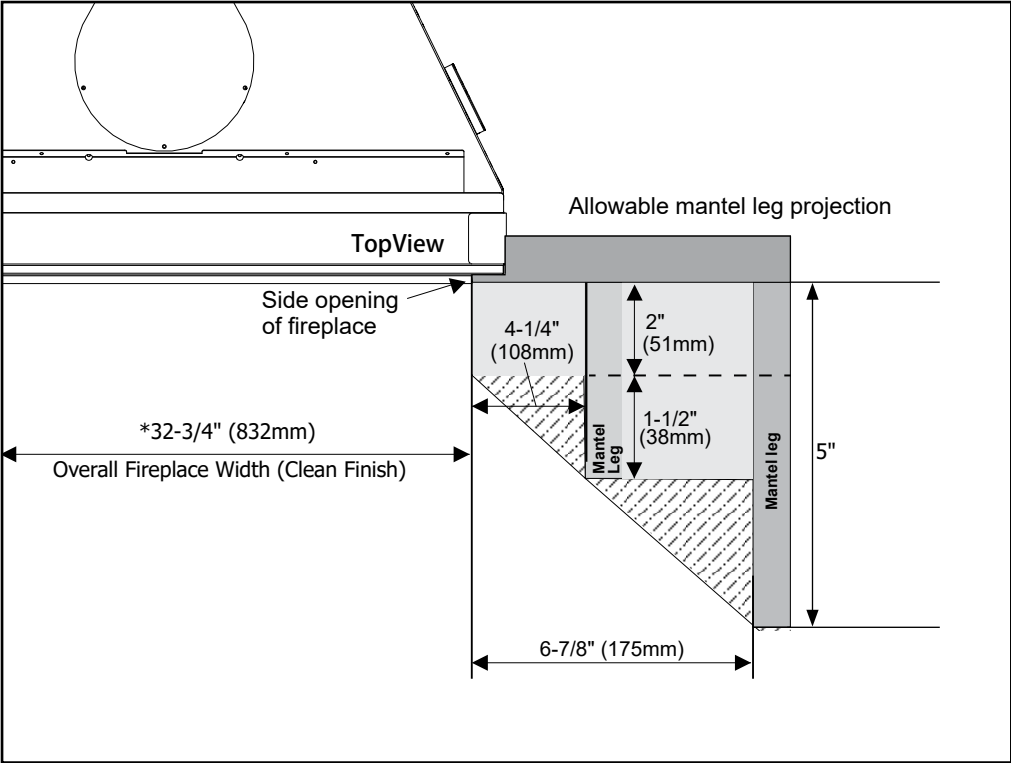
Due to the extreme heat this fireplace emits, the mantel clearances are critical. Combustible mantel clearances from top of front facing are shown in the Diagram on the right.

Note: Ensure the paint that is used on the mantel and the facing is "High Quality" or the paint may discolour.

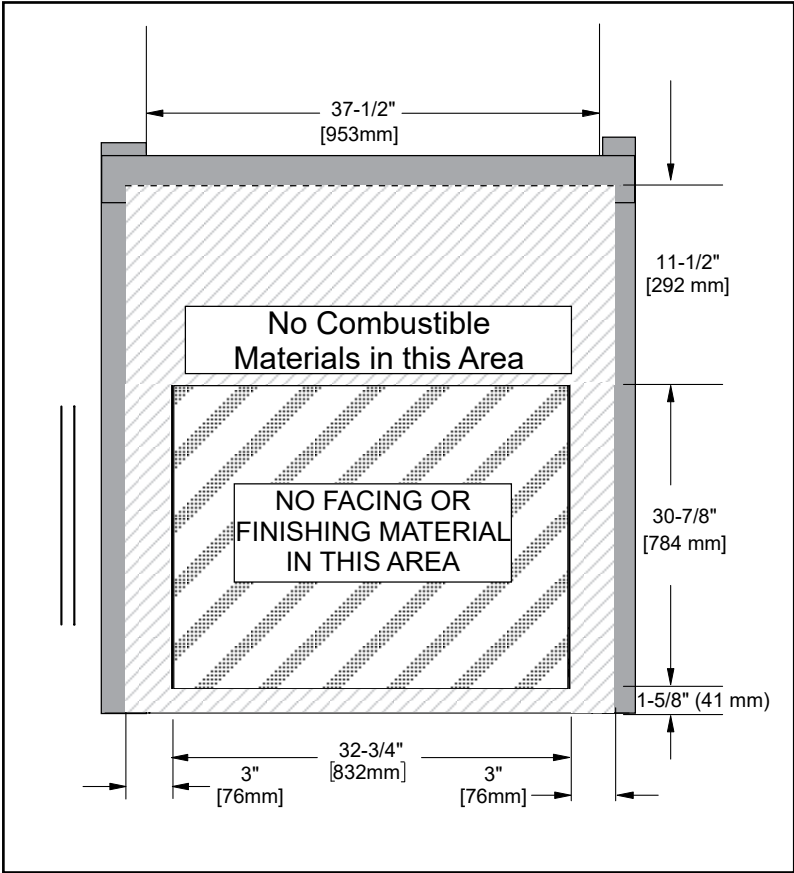


Mantel Clearances G800EC	A	B	C	D
From Top of Fireplace Opening	32-1/2" (826mm)	20-1/2" (597mm)	15-1/4" (470mm)	11-1/2" (292mm)

Clean Front Installation (Non Cool Wall) - Mantel Leg Clearances



Clean Front Installation (Non Cool Wall) - Non-Combustible Requirements



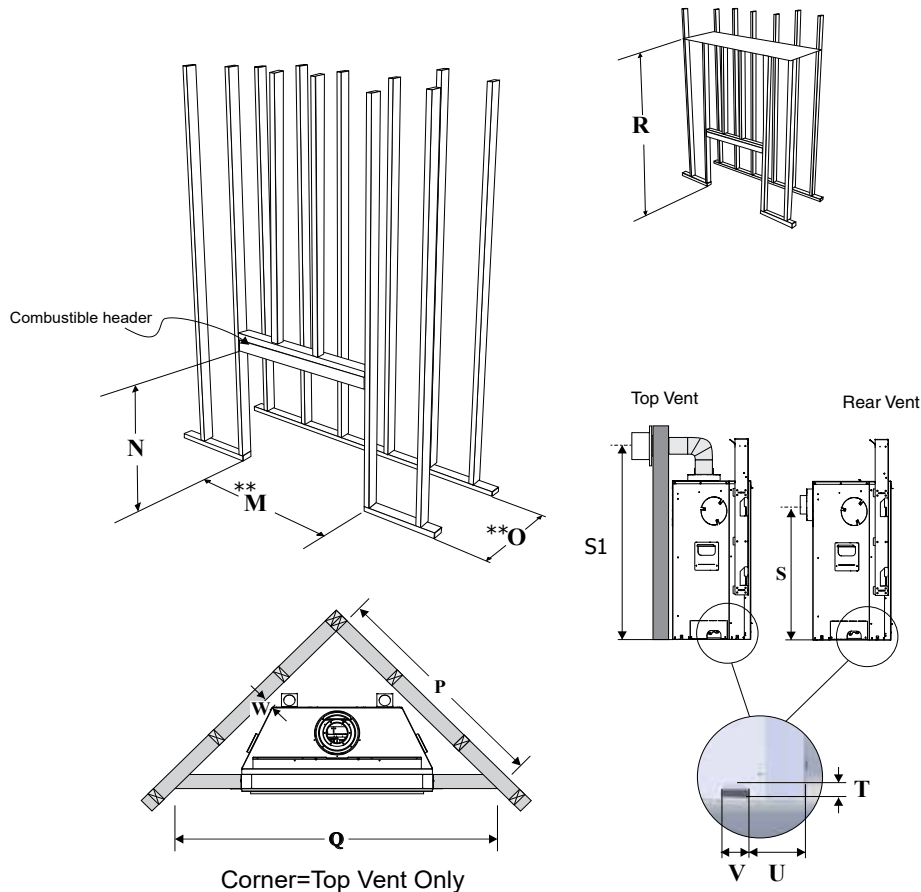
See framing dimensions on next page.

installation

Clean Front Installation - Framing (Non Cool Wall)

Framing Dimensions	Description	G800EC - Non Cool Wall
M	Framing Width	37-1/2"(953mm)
N*	Framing Height	43" (1092mm)
O	Framing Depth	19-1/4" (489mm)
P (Top Vent Only)	Corner Facing Wall Width	46-1/2" (1181mm)
Q (Top Vent Only)	Corner Facing Wall Width	65-3/4" (1670mm)
R	Framed Chase Ceiling	62" (1575mm)
S (Rear Vent)	Vent Centerline Height - Rear	29" (673mm)
S1 (Top Vent)	Vent Centerline Height - Top	44" (1118mm)
T	Gas Connection Height	1-1/2" (38mm)
U	Gas Connection Inset	6-3/8" (162mm)
V	Gas Connection Width	3" (76mm)
W	Clearance to corner of unit	2-3/4" (70mm)
	Non-combustible Height	11-1/2" (292mm)

*** Important: Framing height requires consideration of the hearth height. Dimension N = N + the thickness of the installed hearth.**



IMPORTANT: Corner applications are vented from the top only - rear venting cannot be used.

**The framing depth/width does not take into account dry wall/wood or similar materials against the back /side wall. The framing depth will need to change based on the thickness of the material
 (example: M - 37-1/2" framing width + 1/2" drywall = 38")
 (example: O - 19-1/4" framing depth + 1/2" drywall = 19-3/4")

Clean Front Installation

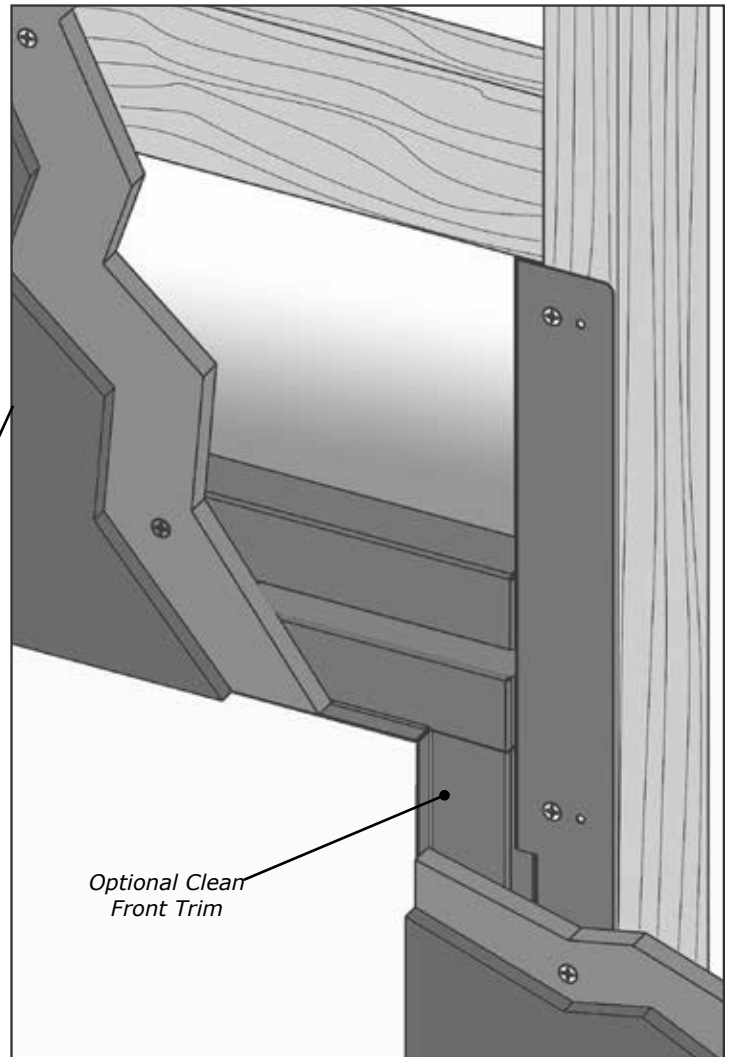
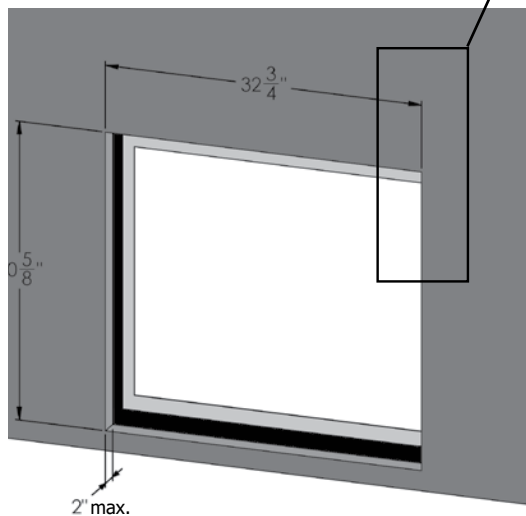
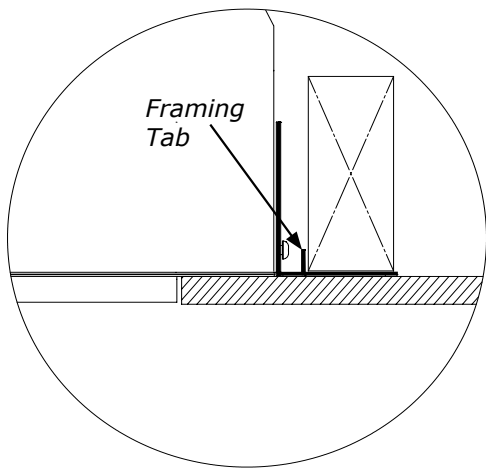
The finishing material can be brought to the edge of the fireplace opening.

Do NOT finish beyond the opening, doing so will prevent the screen from being attached and removed.

The Optional Clean Front Trim (Part # 761-929) is available to prevent this from happening. See Section: CLEAN FRONT TRIM INSTALL INSTRUCTIONS for details.

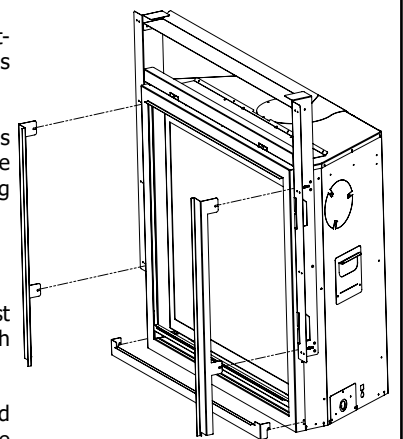
Nailing Flange Instructions

1. Bend framing tabs 90° backward to create the framing standoff.



Optional Clean Front Trim Install Instructions (Part # 761-929)

1. Loosen the four (4) screws that attach the right and left nailing flanges to the unit.
2. Slide the left and right tiling flanges onto the front of the fireplace. Use the slots to center with the screw securing the Nailing Flanges.
3. Tighten screws down.
4. Slide the Bottom Tiling Flange against the bottom of the fireplace. Secure with a screw on each side.
5. Finishing material can now be pressed against the flat edge created by the Clean Front Trim.



installation

Outside Finish Installation (Non Cool Wall) - Clearances

The clearances listed below are minimum distances unless otherwise stated:

A major cause of chimney related fires is failure to maintain required clearances (air space) to combustibles materials. It is of the greatest importance that this fireplace and vent system be installed only in accordance with these instructions.

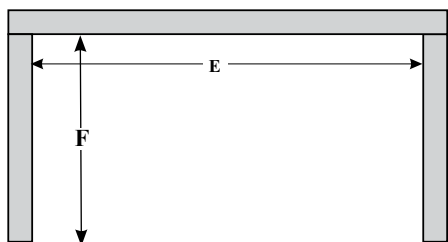
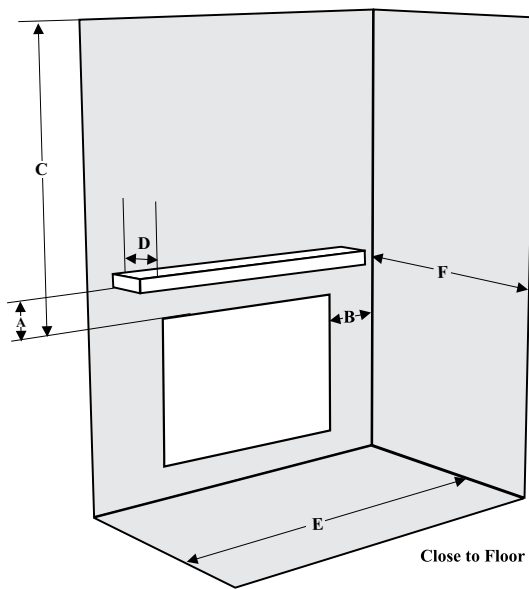
Caution Requirements

The top, back and sides of the fireplace are defined by standoffs. The metal ends of the standoff may **NOT** be recessed into combustible construction.

WARNING

Fire hazard is an extreme risk if these clearances (air space) to combustibles materials are not adhered to. It is of greatest importance that this fireplace and vent system be installed only in accordance with these instructions.

G800EC Outside Finish Clearance Requirements		
Clearance:	Dimension	Measured From:
A: Mantel Height (min.)	10" (254mm)	Top of Fireplace Opening
B: Sidewall	25" (635mm) one side only	Side of Fireplace Opening
C: Ceiling	36-1/2" (927mm)	Top of Fireplace Opening
D: Mantel Depth (max.)	12" (305mm)	Top of Fireplace Opening
E: Alcove Width	84" (2134mm)	Wall to Wall (Minimum)
F: Alcove Depth	36" (914mm)	Front to Back Wall (Maximum)
Notes:	0"	No Hearth Required



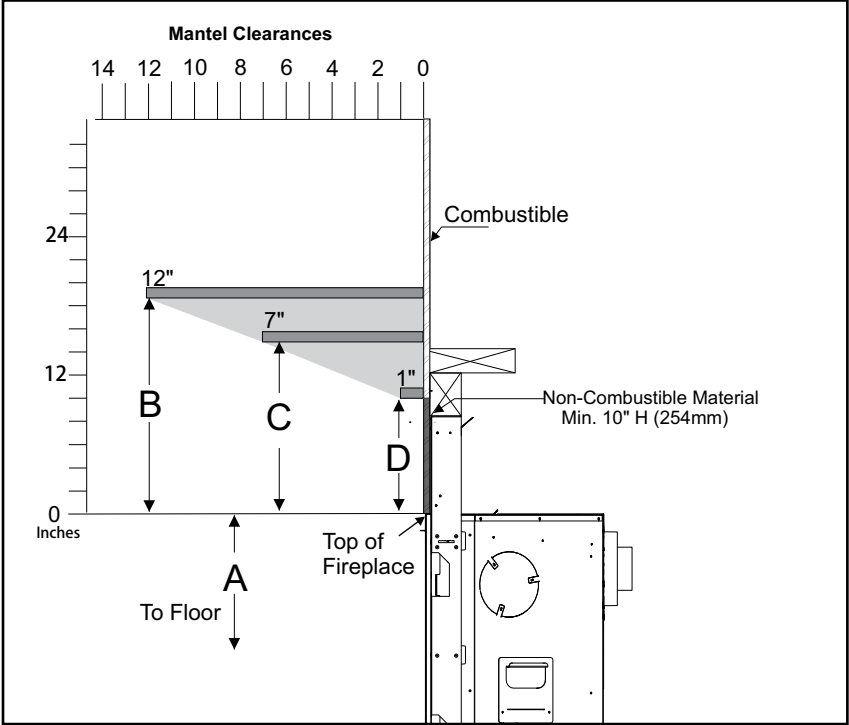
Alcove

Minimum Vent Clearances to Combustibles

Horizontal Top	2" (51mm)
Horizontal Side	1-1/2" (38mm)
Horizontal Bottom	1-1/2" (38mm)
Vertical Vent	1-1/2" (38mm)

Outside Finish Installation (Non Cool Wall) - Mantel Clearances

Due to the extreme heat this fireplace emits, the mantel clearances are critical. Combustible mantel clearances from top of front facing are shown in the Diagram below.

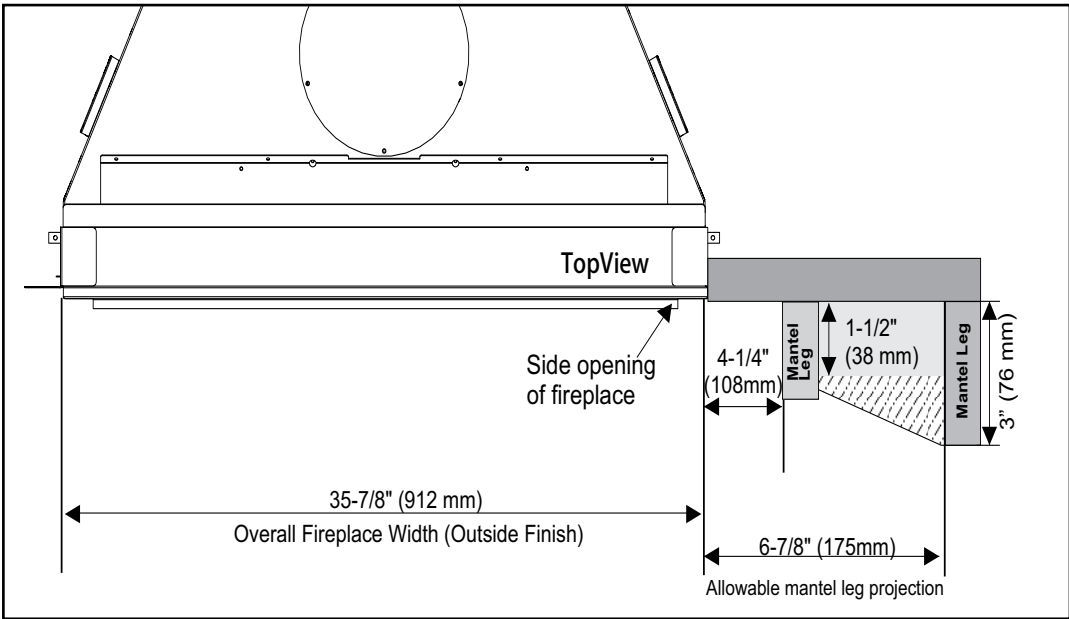


Mantel Clearances G800EC	A	B	C	D
From Top of Fireplace	34" (754mm)	19" (483mm)	15" (381mm)	10" (254mm)

Note: Ensure the paint that is used on the mantel and the facing is "High Quality" or the paint may discolour.

****The non combustible board supplied with the appliance is 11 1/2" (292 mm) high. This may be cut to size if desired.**

Outside Finish Installation (Non Cool Wall) - Mantel Leg Clearances

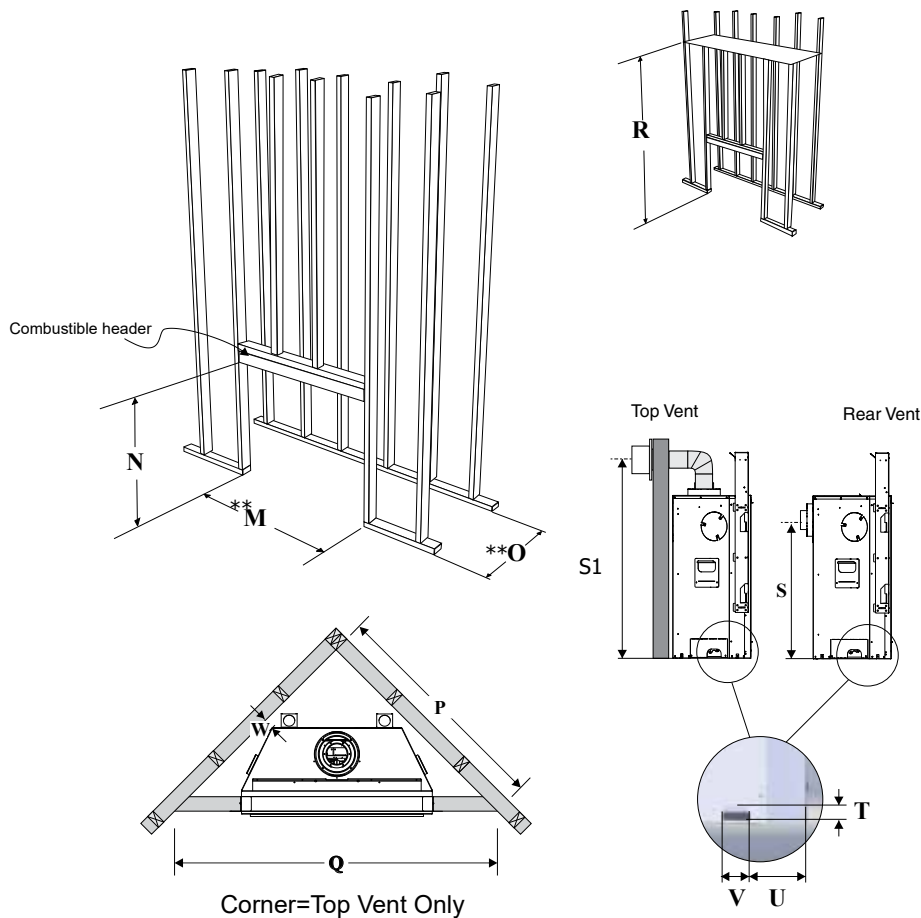


installation

Outside Finish Installation (Non Cool Wall) - Framing

Framing Dimensions	Description	Outside Finish	Outside finish with Finishing Trim or Faceplate
M	Framing Width	36-1/2" (927mm)	37-1/2" (953mm)
N*	Framing Height	43" (1092mm)	
O	Framing Depth	19-1/4" (489mm)	
P (Top Vent Only)	Corner Facing Wall Width	46-1/2" (1181mm)	
Q (Top Vent Only)	Corner Facing Wall Width	65-3/4" (1670mm)	
R	Framed Chase Ceiling	62" (1575mm)	
S (Rear Vent)	Vent Centerline Height - Rear	29" (673mm)	
S1 (Top Vent)	Vent Centerline Height - Top	44" (1118mm)	
T	Gas Connection Height	1-1/2" (38mm)	
U	Gas Connection Inset	6-3/8" (162mm)	
V	Gas Connection Width	3" (76mm)	
W	Clearance to Corner of Unit	2-3/4" (70mm)	
	Non-combustible Height	10" (254mm)	

*** Important: Framing height requires consideration of the hearth height. Dimension N = N + the thickness of the installed hearth.**

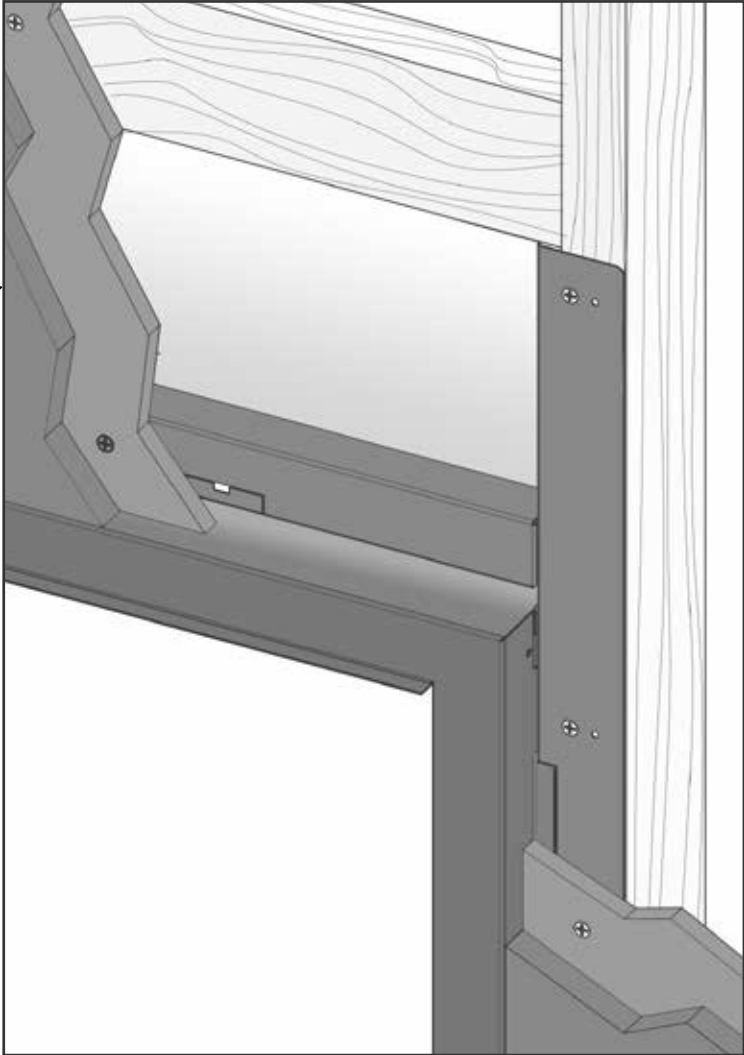
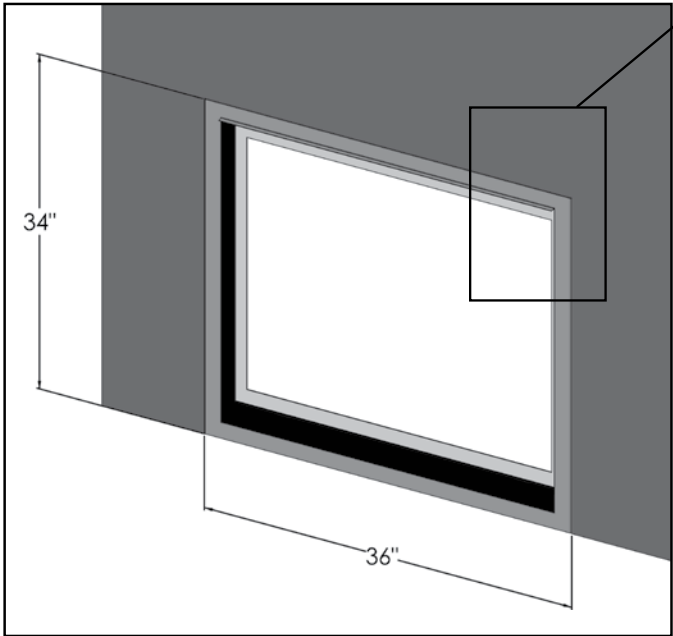


IMPORTANT: Corner applications are vented from the top only - rear venting cannot be used.

**The framing depth/width does not take into account dry wall/wood or similar materials against the back /side wall. The framing depth will need to change based on the thickness of the material
 (example: M - 36-1/2" framing width + 1/2" drywall = 37")
 (example: M Outside finish with finishing trim/faceplate - 37-1/2" framing width + 1/2" drywall = 38")
 (example: O - 19-1/4" framing depth + 1/2" drywall = 19-3/4")

Outside Finish Finishing

Finishing Material may be brought to the top and side edges of the fireplace, as show below.



installation

Faceplate Installation (Part # 761-922, 761-924, 761-926)

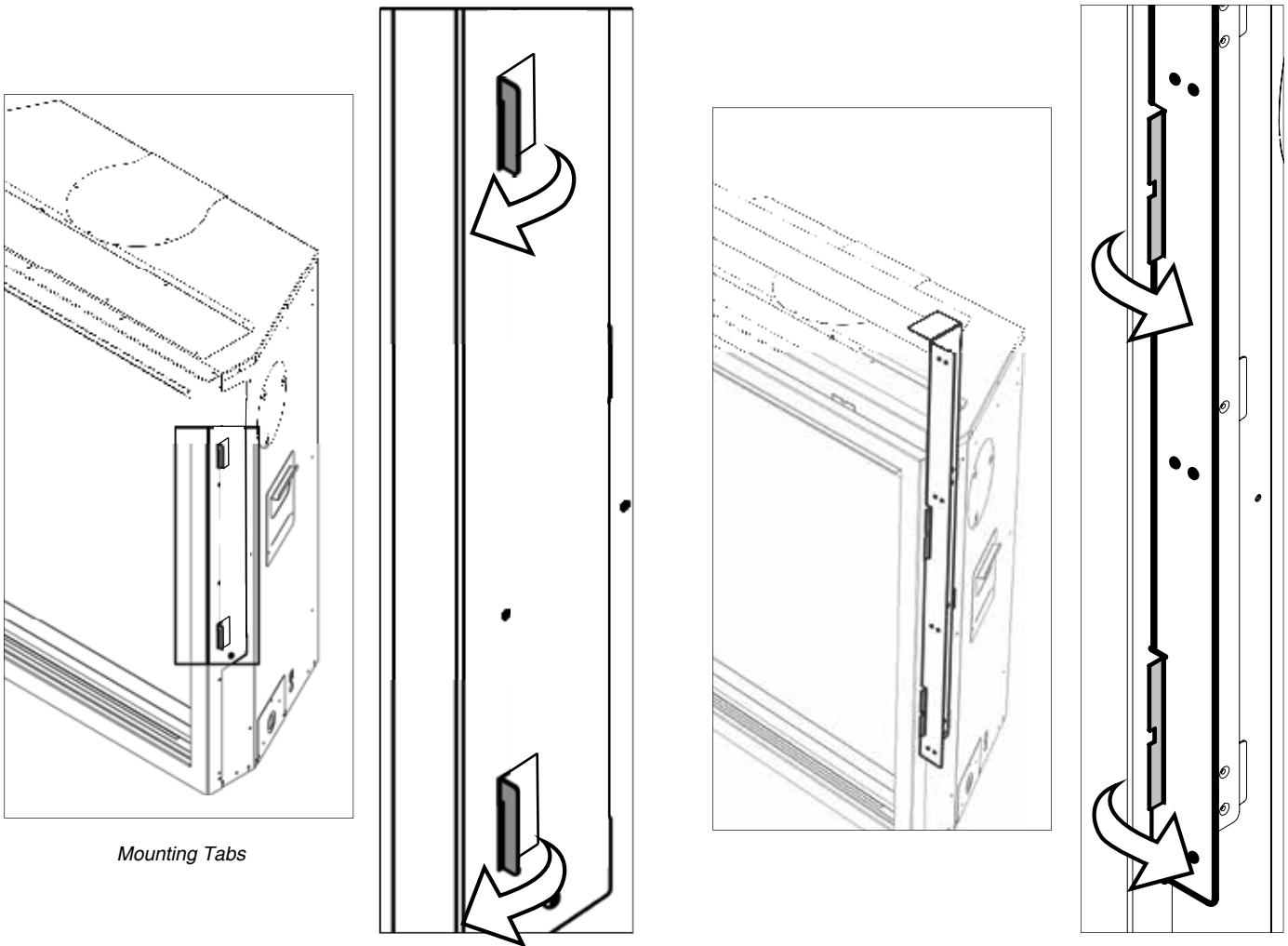
Faceplate - Finishing:

The finishing material can be brought to the top of the fireplace. A 1/2" gap must be maintained on the sides to allow the Faceplate to be installed. The finishing material must not protrude past the front face of the fireplace. Follow the steps below to install.

See section: Nailing flange install for Nailing Flange Depth settings.

1. Bend the four mounting tabs on the outer box Front 90° forward. There are two tabs per side.

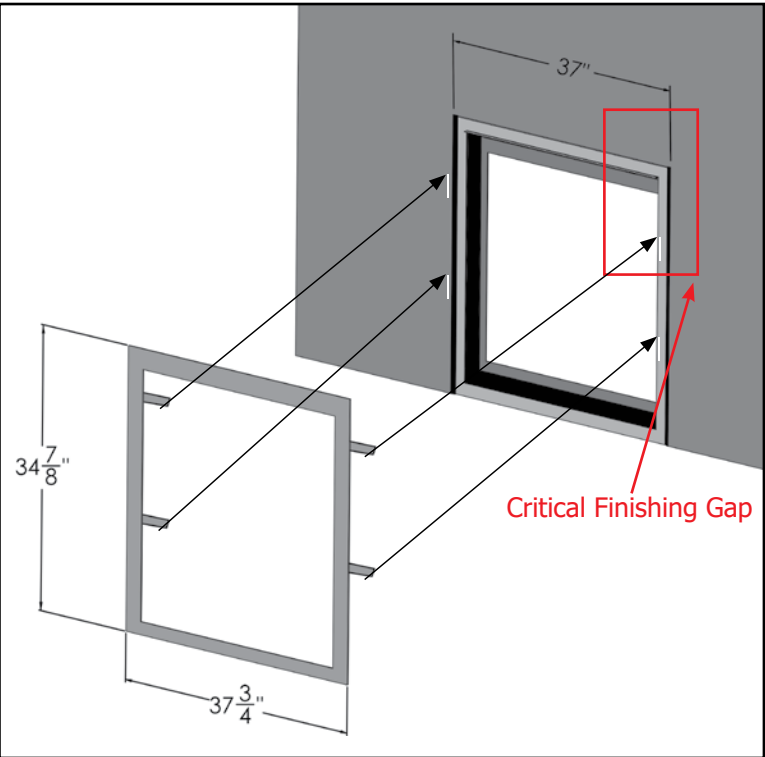
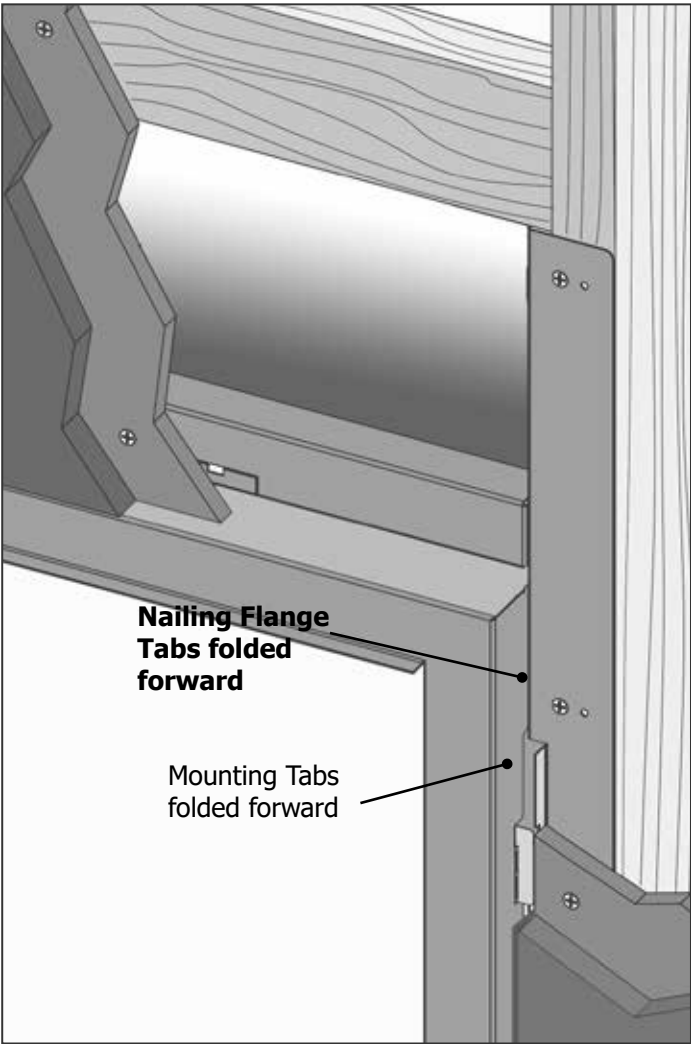
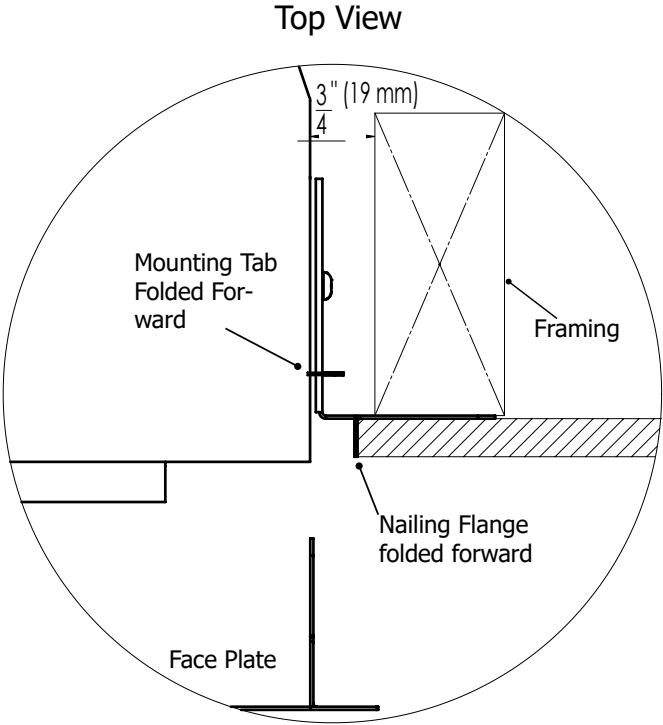
2. Bend the tabs on the left and right nailing flanges 90° forward. There are two tabs per nailing flange. These tabs are used to stop finishing material from interfering with the faceplate mounts.



Faceplate Finishing

A 1/2" gap must be maintained on the sides of the fireplace to allow the Face Plate to be installed and removed.

Do NOT finish past the front face of the fireplace.



Install the faceplate by resting the arms on the Face Plate on top of the mounting tabs.

Adjust left and right to center the Face Plate.

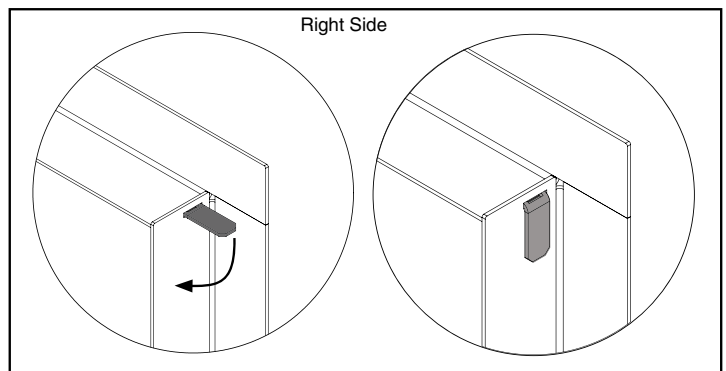
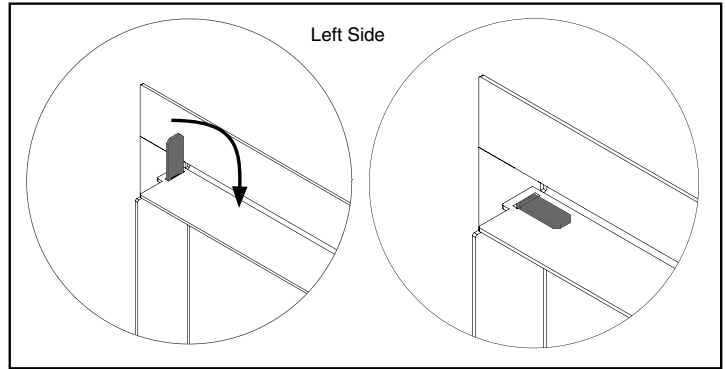
NOTE: Do not touch the faceplate without clean, soft, gloves. Dirt or oils can be transferred onto the finish and become permanent.

installation

Finishing Trim Installation (Part # 761-928)

The Finishing Trim can be installed to upgrade the look of the fireplace or to cover facing material edges.

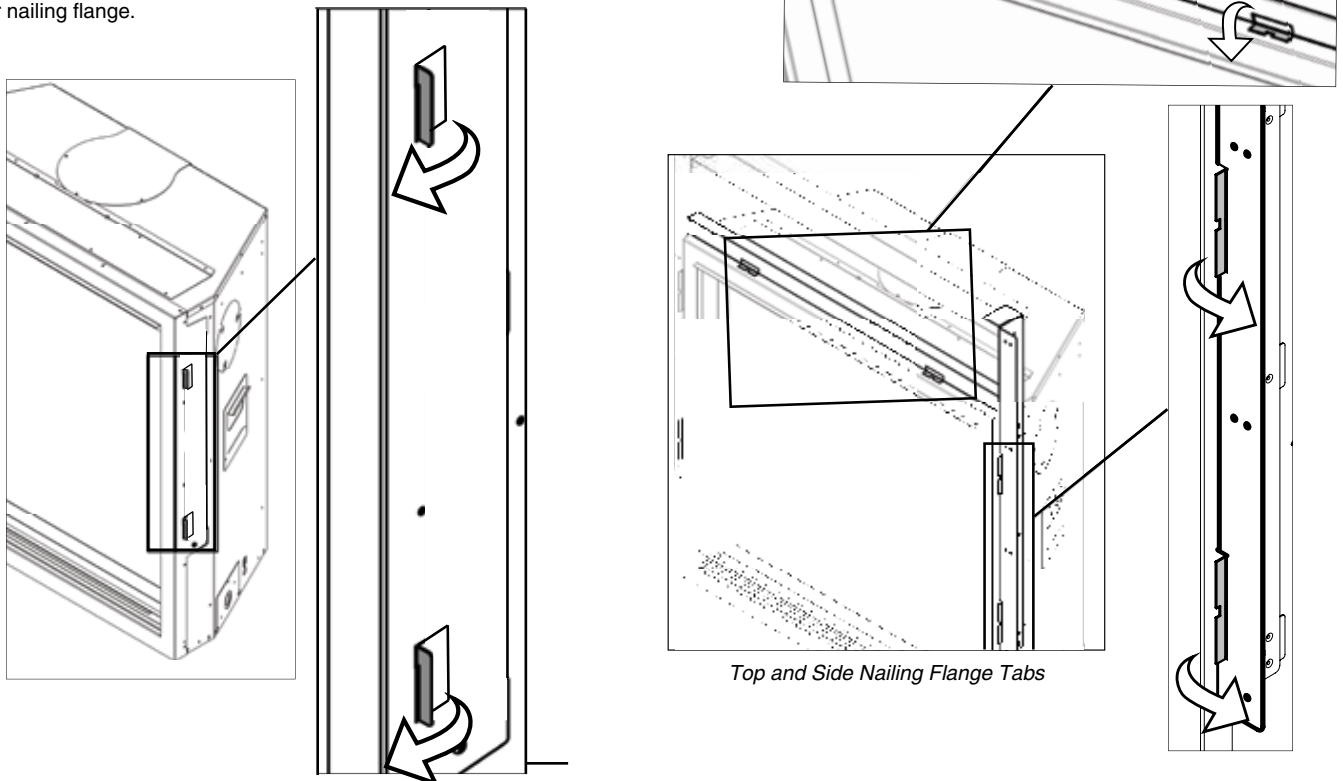
1. Lay the parts on a soft surface painted side down.
2. Insert the tab on the left side into the slot on the top.
3. Fold the tabs down to secure.
4. Insert the tab on the top into the slot on the right.
5. Fold the tab down to secure.



See section: NAILING FLANGE INSTALL FOR NAILING FLANGE DEPTH SETTINGS.

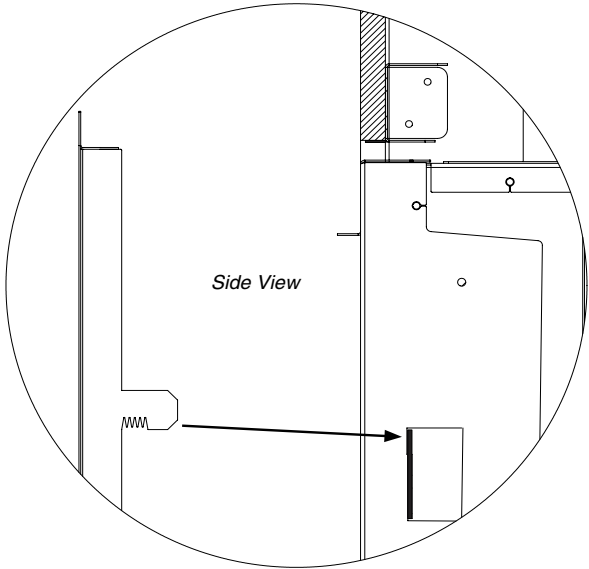
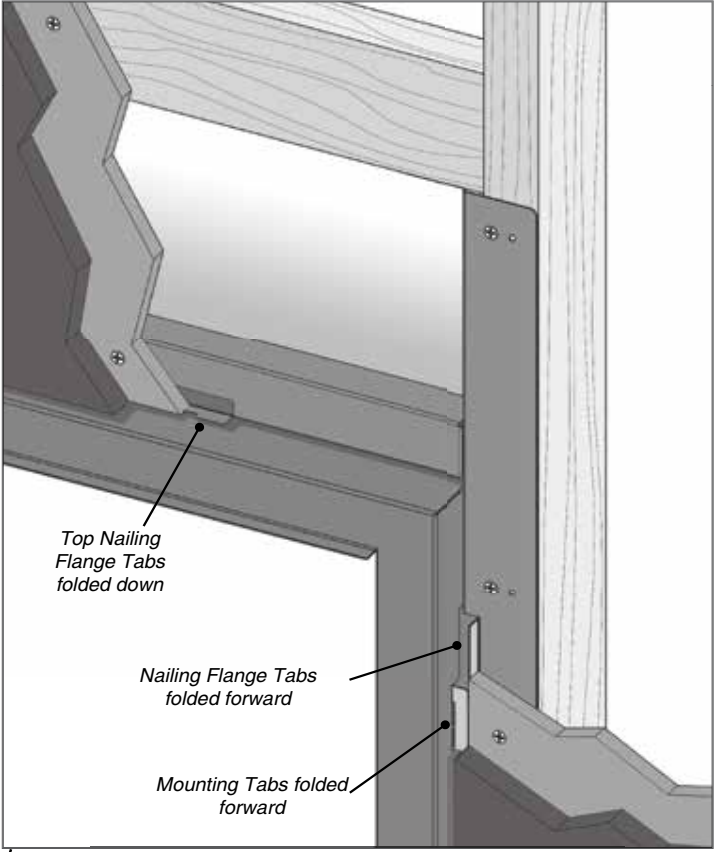
Finishing Trim Install Instructions:

1. Bend the four tabs on the outer box front forward. There are two tabs per side. These tabs are the mounts for the faceplate or finishing trim.
2. Bend the two tabs on the top nailing flange down.
3. Bend the tabs on the left and right nailing flanges forward. There are two tabs per nailing flange.

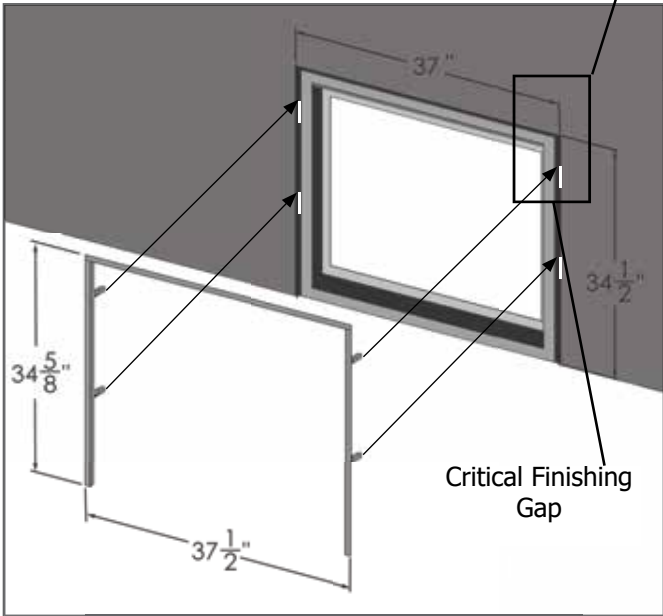
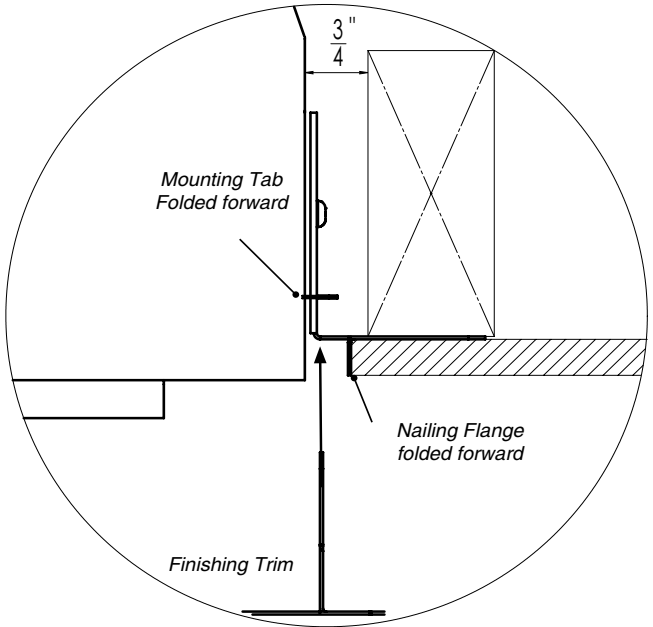


A 1/2" gap must be maintained on the sides and top of the fireplace to allow the finishing trim to be installed and removed. The finishing trim has adjustment for material to protrude up to 1/4" past the front of the finishing trim.

- 1. Install the finishing trim by resting the arms of the finishing trim on top of the mounting tabs.
- 2. Adjust left and right to center the finishing trim.



Top View



Critical Finishing Gap

installation

Wall Board/Drywall Installation G800EC

WARNING! Risk of Fire! Comply with all minimum clearances to combustibles as specified.

Finishing Instructions:

It is important to follow the framing and finishing instructions to ensure proper placement of fireplace into the surrounding framing/finishing materials. Wall board materials 1/2 in. thick are specified in this installation manual to properly align with the optional finishing methods offered with this appliance. The G800EC may be finished to the appliance opening with 1/2 inch thick drywall or non combustible material depending on the application and requirements. The nailing flanges allow for adjustments up to 1-1/4" thickness of material.

- Ensure that the back and side clearances are maintained.

WARNING! Risk of Fire! Maintain specified air space clearances to combustibles. Inadequate air space could cause overheating and fire.

The appliance is designed to be used with 1/2 in. wall sheathing materials such as drywall, plywood, wood composites, or non-combustible materials. Thicker materials may be used. Refer to facing and finishing details in this manual.

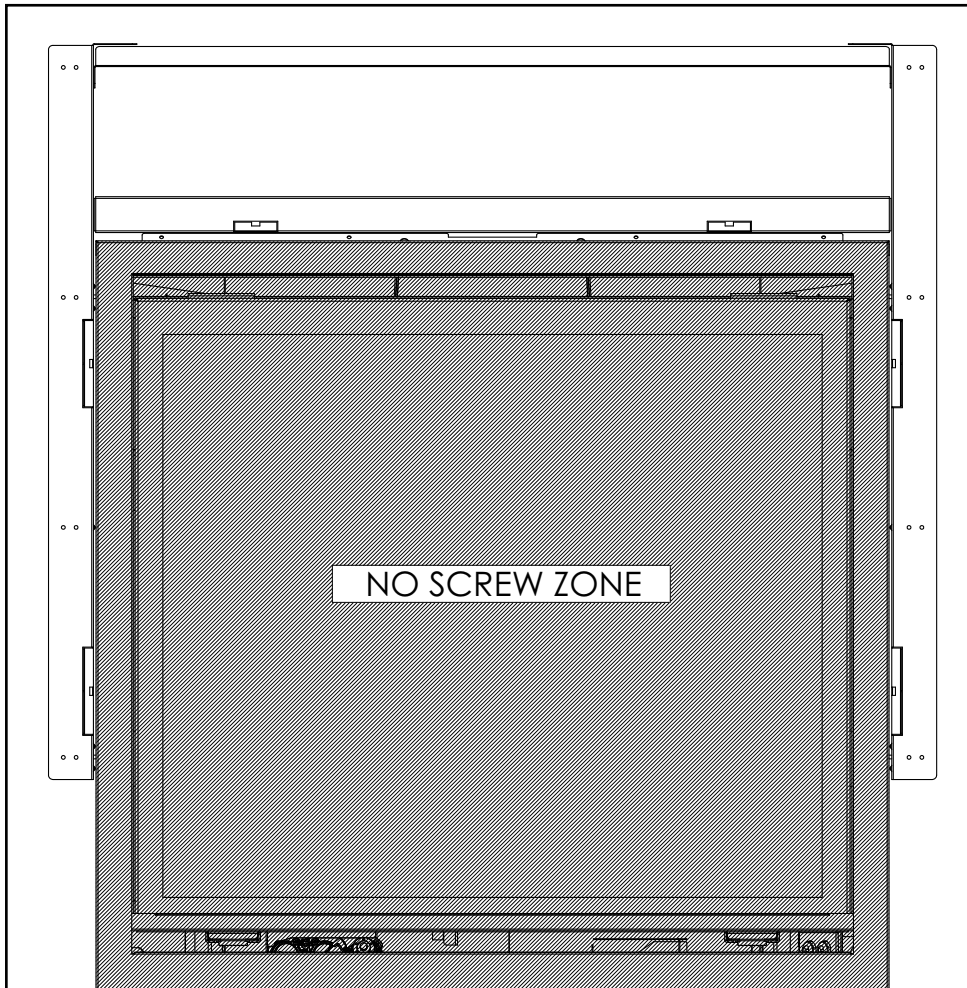
Facing Material

- Facing and/or finishing materials must never overhang into the glass opening.
- Facing materials may be combustible or non-combustible

WARNING! Risk of Fire! DO NOT apply combustible materials beyond the minimum clearances. Comply with all minimum clearances to combustibles as specified in this manual. Overlapping materials could ignite and will interfere with proper operation.

PAINTING

If desired finishing includes a painted wall, 100% acrylic latex, oil-based or standard acrylic paints may be used. Follow paint manufacturer's instructions for paint and primer application.



Conversion to Top Vent

Note: This conversion must be done prior to the unit being placed in position.

The unit comes equipped as a rear vent unit. These instructions are to be used, only if the unit is going to be top vented.

1. Remove six (6) screws in locations shown below to remove vent cover plate.

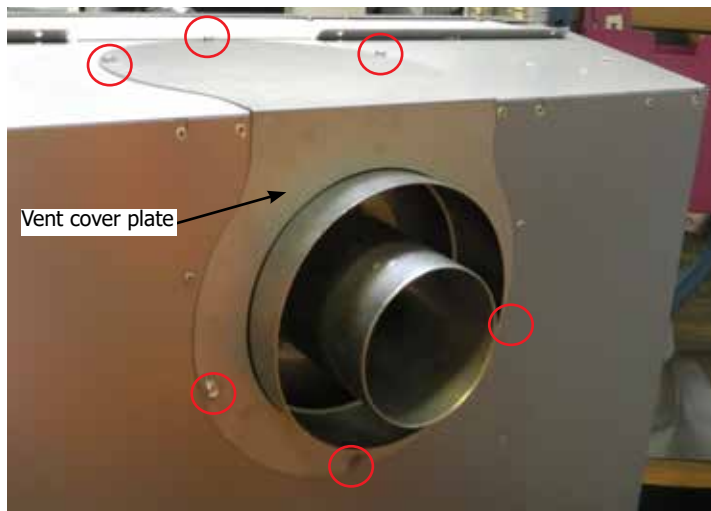


Diagram 1

2. **Using a magnetic drill bit**—remove the two (2) top screws and loosen two(2) bottom screws to remove **outside collar** from the back of the unit. See Diagram 3.

Note: Take care not to drop any screws into the unit.

3. Remove the four (4) top screws and loosen the two (2) bottom screws to remove in the **inner collar** from the back of the unit. See Diagram 3.



Diagram 2 - Back of Unit



Important: Loosen bottom screws only and slide inner and outer collar up and off unit.

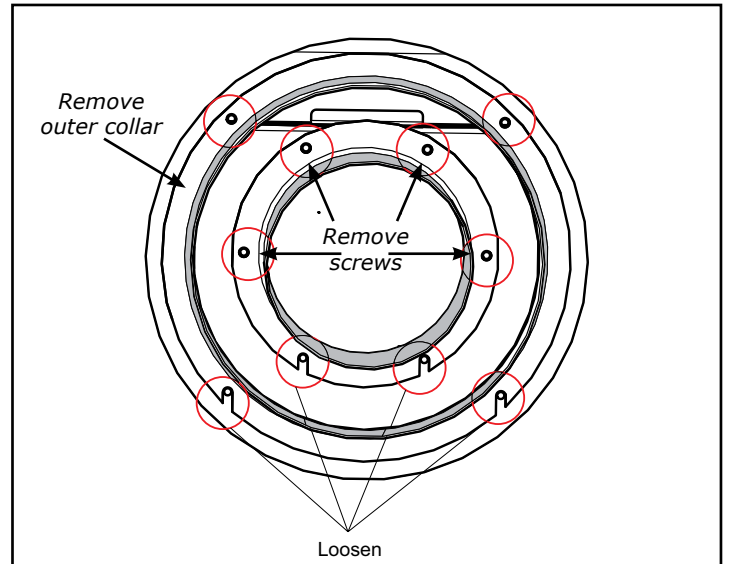


Diagram 3

4. From the top of the unit—remove the top cover plate by removing the two (2) top screws and loosening the two (2) bottom screws. Slide cover plate up and off to remove.



Diagram 4 - Top of Unit

5. Remove the insulation from the top of the unit as shown and discard.



Diagram 5

installation

6. Remove the Exhaust Cover Plate marked: DISCARD, and discard plate.

7. Remove the four (4) top screws and loosen the two (2) bottom screws to remove in the inner cover plate from the top of the unit.

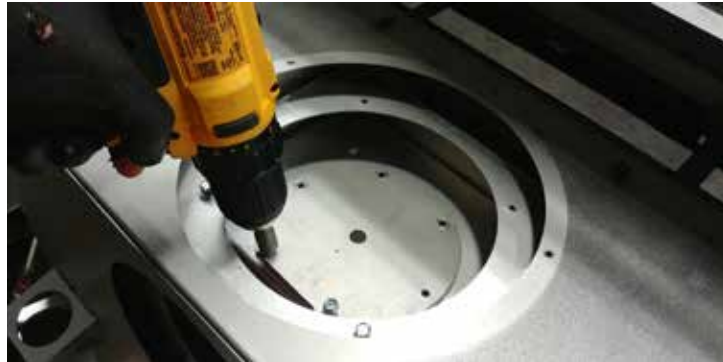
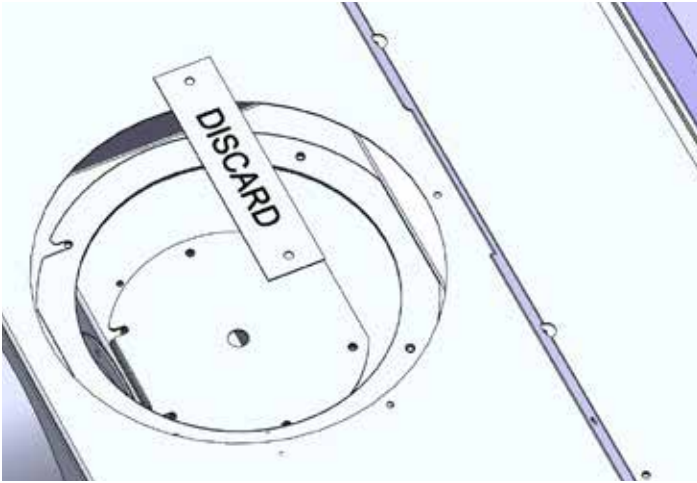


Diagram 6

8. Install the inner cover plate removed from the top in Step 7—to the back of the unit. Slide the plate onto the two (2) loosened screws and tighten all six (6) screws.



Diagram 7

9. Install the top cover plate (removed from the top in Step 4) to the back of the unit. Slide the plate onto the two (2) loosened screws and tighten all 4 screws.

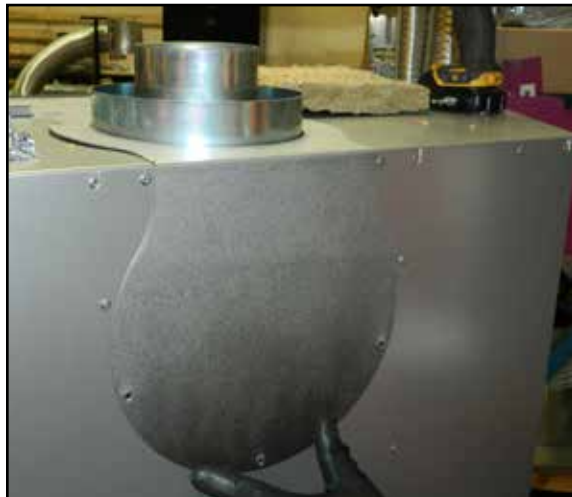


10. Install inner collar (removed from the back in Step 3) to the top. Slide collar onto loosened screws and tighten all six (6) additional screws.

11. Install outer collar (removed from the back in Step 2) to top of unit. Slide collar onto two (2) loosened screws and tighten all four (4) additional screws.



12. Reinstall vent cover plate (removed in Step 1) with six (6) screws.



Vent Restrictor Installation

1. Determine the venting configuration.
Note: The Set 1/Set 2 vent restrictor plate is installed from the factory to Set 1 (2" open). Set 3 uses a separate restrictor plate, which is found in the manual package.
2. Go to venting arrangements section (in the manual) to determine if a vent restrictor setting is required. (If required, proceed to Step 3).
3. Loosen the two screws that secure the top heat deflector and remove top heat deflector (diagram 1).
4. Align the vent restrictor plate to the required vent restrictor position as per the Diagrams shown.
5. Once the vent restrictor plate is in the required position, secure with 2 - 1/4" x 1/2" screws. Ensure all screws are tight, but do not over tighten.

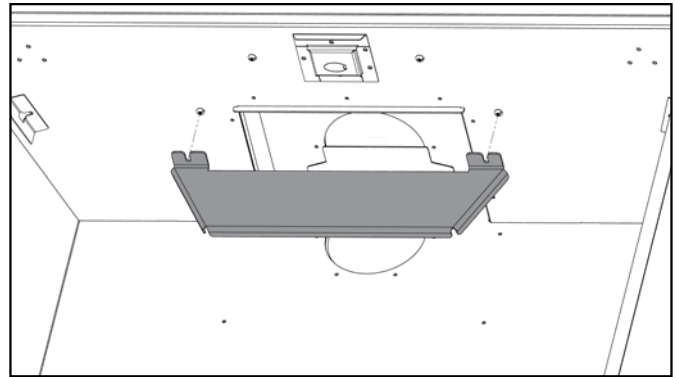


Diagram 1: Top heat deflector

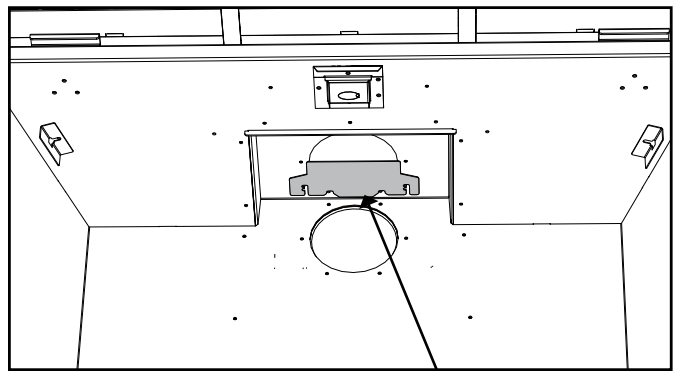


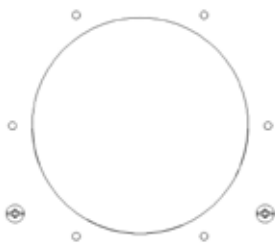
Diagram 2: Vent restrictor located on top exhaust assembly



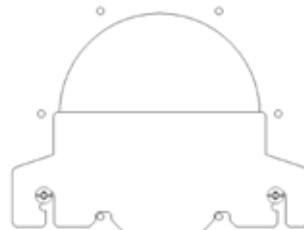
Restrictor plate for Set 1, Set 2
(Part # 761-060F)



Restrictor plate for Set 3
(Part # 761-143F)



Set 0
Fully Open



Set 1
2" Open
Factory Setting



Set 2
1-3/4" Open



Set 3
1-1/4" Open

Venting Introduction

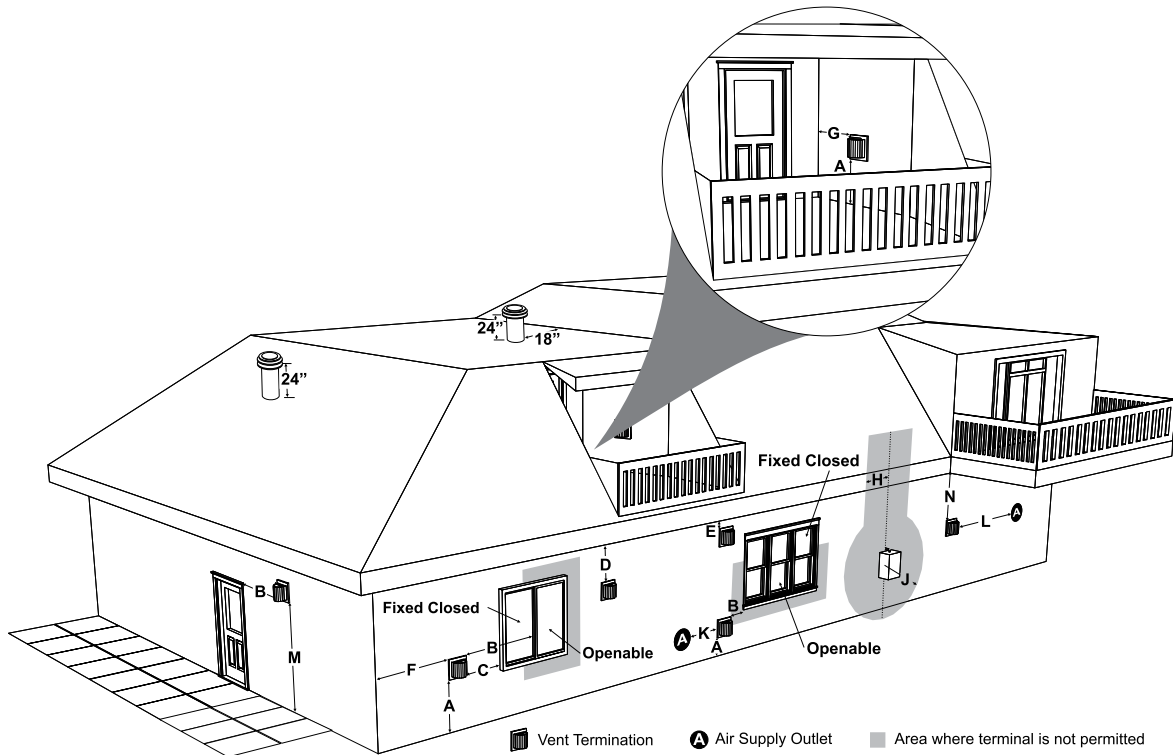
The G800EC uses the "balanced flue" technology Co-Axial system. The inner liner vents products of combustion to the outside while the outer liner draws outside combustion air into the combustion chamber thereby eliminating the need to use heated room air for combustion and losing warm room air up the chimney.

Note: These flue pipes must not be connected to any other appliance.

The gas appliance and vent system must be vented directly to the outside of the building, and never be attached to a chimney serving a separate solid fuel or gas burning appliance. Each direct vent gas appliance must use its own separate vent system. Common vent systems are prohibited.

installation

Exterior Vent Termination Requirements



	Minimum Clearance Requirements	Canada ¹	USA ²
A	Clearance above grade, veranda, porch, deck, or balcony	12"(30cm)	12"(30cm)
B	Clearance to window or door that may be opened	12"(30cm)	9" (23cm)
C	Clearance to permanently closed window	*	*
D	Vertical clearance to ventilated soffit located above the terminal within a horizontal distance of 2 feet (61cm) from the center line of the terminal (check with the local code)	24"(60cm)	24"(60cm)
E	Clearance to unventilated soffit	19"(48cm)	19"(48cm)
F	Clearance to outside corner: with AstroCap Termination Cap.	13"(33cm)	13"(33cm)
	Clearance to outside corner: with all other approved Termination Caps.	13"(33cm)	13"(33cm)
G	Clearance to inside corner: with AstroCap Termination Cap	11"(28cm)	11"(28cm)
	Clearance to inside corner: with all other approved Termination Caps.	11"(28cm)	11"(28cm)
H	Clearance to each side of center line extended above meter/regulator assembly	36"(90cm) ^a	*
J	Clearance to service regulator vent outlet	36"(90cm)	*
K	Clearance to non-mechanical air supply inlet to building or the combustion air inlet to any other appliance	12"(30cm)	9" (23cm)
L	Clearance to a mechanical air supply inlet #3' (91cm) above if within 10' (3m) horizontally.	72"(1.8m)	36"(90cm) ^b
M	Clearance above paved sidewalk or a paved driveway located on public property	84"(2.1m) [†]	*
N	Clearance under veranda, porch, deck, or balcony	12"(30cm) [‡]	*

¹ In accordance with current CSA B149.1, *Natural Gas and Propane Installation Code*

² In accordance with the current ANSI Z223.1/NFPA 54, *National Fuel Gas Code*

[†] A vent shall not terminate directly above a sidewalk or paved driveway which is located between two single family dwellings and serves both dwellings

[‡] Permitted only if veranda, porch, deck, or balcony is fully open on a minimum of two sides beneath the floor

* Clearance in accordance with local installation codes and the requirements of the gas supplier

^a 3 feet (91cm) within a height of 15 feet (4.5m) above the meter / regulator assembly

^b 3 feet (91cm) above - if within 10 feet (3m) horizontally

4" X 6-5/8" (102 mm x 168 mm) Rigid Pipe - Cross Reference Chart Only

Components from different Manufacturers may not be mixed. Not all Rigid Pipe components are available directly from FPI. Non-metallic venting systems shall not interchange components with another listed or unlisted metallic vent system.

Description	Simpson Direct Vent Pro®	*Selkirk Direct Temp™	*American Metal Products® Amerivent Direct	*Metal-Fab™ Sure Seal	*Security Secure-Vent®	*ICC Excel Direct	*Olympia Ventis DV***
6" Pipe Length-Galvanized	46DVA-06	4DT-6	N/A	4D6	SV4L6	TC-4DL6	VDV-0406
6" Pipe Length-Black	46DVA-06B	4DT-6B	N/A	4D6B	SV4LB6	TC-4DL6B	VDVB-0406
7" Pipe Length-Galvanized	N/A	N/A	4D7	N/A	N/A	N/A	N/A
7" Pipe Length-Black	N/A	N/A	4D7B	N/A	N/A	N/A	N/A
9" Pipe Length-Galvanized	46DVA-09	4DT-9	N/A	N/A	N/A	TC-4DL9	VDV-0409
9" Pipe Length-Black	46DVA-09B	4DT-9B	N/A	N/A	N/A	TC-4DL9B	VDVB-0409
12" Pipe Length-Galvanized	46DVA-12	4DT-12	4D12	4D12	SV4L12	TC-4DL1	VDV-0412
12" Pipe Length-Black	46DVA-12B	4DT-12B	4D12B	4D12B	SV4LB12	TC-4DL1B	VDVB-0412
18" Pipe Length-Galvanized	46DVA-18	4DT-18	4D18	4D18	SV4LA	TC-4DL18	VDV-0418
18" Pipe Length-Black	46DVA-18B	4DT-18B	4D18B	4D18B	SV4LA	TC-4DL18B	VDVB-0418
24" Pipe Length-Galvanized	46DVA-24	4DT-24	4D24	4D24	SV4L24	TC-4DL2	VDV-0424
24" Pipe Length-Black	46DVA-24B	4DT-24B	4D24B	4D24B	SV4LB24	TC-4DL2B	VDVB-0424
36" Pipe Length-Galvanized	46DVA-36	4DT-36	4D36	4D36	SV4L36	TC-4DL3	VDV-0436
36" Pipe Length-Black	46DVA-36B	4DT-36B	4D36B	4D36B	SV4LB36	TC-4DL3B	VDVCB-0436
48" Pipe Length-Galvanized	46DVA-48	4DT-48	4D48	4D48	SV4L48	TC-4DL4	VDV-0448
48" Pipe Length-Black	46DVA-48B	4DT-48B	4D48B	4D48B	SV4LB48	TC-4DL4B	VDVB-0448
60" Pipe Length-Galvanized	46DVA-60	4DT-60	N/A	N/A	N/A	N/A	N/A
60" Pipe Length-Black	46DVA-60B	4DT-60B	N/A	N/A	N/A	N/A	N/A

Adjustable Length 3"-10"-Galvanized	N/A	N/A	N/A	4DAL	N/A	TC-4DLT	N/A
Adjustable Length 3"-10"-Black	N/A	N/A	N/A	4DALB	N/A	TC-4DLTB	N/A
Adjustable Length 7"-Galvanized	N/A	N/A	4D7A	N/A	N/A	N/A	N/A
Adjustable Length 7"-Black	N/A	N/A	4D7AB	N/A	N/A	N/A	N/A
Extension Pipe 8-1/2"-Galvanized	46DVA-08A	N/A	N/A	N/A	N/A	N/A	N/A
Extension Pipe 8-1/2"-Black	46DVA-08AB	N/A	N/A	N/A	N/A	N/A	N/A
Adjustable Length 12"-Galvanized	N/A	N/A	4D12A	N/A	SV4LA12	TC-4dLSI	N/A
Adjustable Length 12"-Black	N/A	N/A	4D12A	N/A	SV4LBA12	TC-4dLSIB	N/A
Extension Pipe 16"-Galvanized	46DVA-16A	N/A	N/A	N/A	N/A	N/A	N/A
Extension Pipe 16"-Black	46DVA-16AB	N/A	N/A	N/A	N/A	N/A	N/A

45° Elbow-Galvanized	46DVA-E45	4DT-EL45	4D45L	N/A	N/A	TE-4DE45	VDV-EL0445
45° Elbow-Black	46DVA-E45B	4DT-EL45B	4DT-EL45B	N/A	N/A	TE-4DE45B	VDVB-EL0445
45° Elbow Swivel-Galvanized	See 46DVA-E45	N/A	N/A	4D45L	SV4E45	N/A	N/A
45° Elbow Swivel-Black	See 46DVA-E45B	N/A	N/A	4D45LB	SV4EB45	N/A	N/A
90° Elbow-Galvanized	46DVA-E90	4DT-EL90S	4DT-EL90S	N/A	N/A	TE-4DE90	VDV-EL0445
90° Elbow-Black	46DVA-E90B	4DT-EL90SB	4DT-EL90SB	N/A	SV4EBR90-1	TE-4DE90B	VDVB-EL0445
90° Elbow, Swivel-Galvanized	See 46DVA-E90	N/A	N/A	4D90L	SV4E90-1	N/A	N/A
90° Elbow, Swivel-Black	See 46DVA-E90B	N/A	N/A	4D90LB	wSV4EB90-1	N/A	N/A
90° Starter Elbow, Swivel-Galvanized	N/A	N/A	N/A	4D90A	N/A	N/A	N/A
Adaptor*	N/A	N/A	N/A	4D90L	N/A	N/A	VDV-UAA04

Ceiling Support	N/A	4DT-CS	4DSP	4DFSP	SV4SD	TM4-RDS	VDV-SCR04
Cathedral Support Box	46DVA-CS	4DT-CSS	4DRSB	4DRS	SV4CSB	TM4-SDS	VDV-CSS04
Wall Support/Band	46DVA-WS	4DT-WS/B	4DWS	4DWS	SV4BM	TM-SWS	VDV-WS04
Offset Support	46DVA-ES	4DT-OS	N/A	N/A	SV4SU	TM-SOS	N/A
Wall Thimble-Black	46DVA-WT	4DT-WT	4DWT	4DWT	SV4RSM	N/A	VDV-WPT04
Wall Thimble Cover/Ceiling Support	46DVA-DC	N/A	N/A	N/A	SV4PF	N/A	N/A
Firestop Spacer	46DVA-FS	4DT-FS	4DFSP	4DFS	SV4BF	TM-4CS	VDV-FS04
Trim Plate-Black	N/A	4DT-TP	4DFPB	4DcP	SV4LA	TM-4TP	VDV-WTC04

* Not available from Regency

installation

Description	Simpson Direct Vent Pro®	*Selkirk Direct Temp™	*American Metal Products® Amerivent Direct	*Metal-Fab™ Sure Seal	*Security Secure- Vent®	*ICC Excel Direct	*Olympia Ventis DV***
Attic Insulation Shield 12"	46DVA-IS	N/A	4DAIS12	4DIS	SV4RSA	N/A	VDV-AIS04
Attic Insulation Shield - Cold Climates 36"	N/A	N/A	4DAIS12	N/A	N/A	TM-4AS	N/A
Basic Horizontal Termination Kit (A)	46DVA-KHA	4DT-HKA	4DHTK2	4DHTKA	SV-SHK	TM4-HTK	VDV-KW04
Horizontal Termination Kit (B)	N/A	4DT-HKB	4DHTK1	4DHTKB	SV-HK	TM4-HTK	VDV-K04
Vertical Termination Kit	N/A	4DT-VKC	4DHTK	4DHTK	SV-FK	N/A	N/A
High Wind Vertical Cap	46DVA-VCH	4DT-VC	N/A	N/A	N/A	TM-4VT	VDV-VCHW04
High Wind Horizontal Cap	N/A	N/A	N/A	N/A	N/A	TM-4DHT	N/A
Horizontal Square Termination Cap	46DVA-HC	4DT-HHC	4DHC	4DHT	SV4CHC-1	TM-4HT	VDV-HC04
Vertical Termination Cap	46DVA-VC	4DT-HVC	4DVC	4DVT	SV4CGV-1	N/A	N/A
Storm Collar	46DVA-SC	4DT-SC	4DSC	4DSC	SV4FC	TM-SC	VDV-SC04
Flashing - Flat Roof	46DVA-FF	N/A	N/A	N/A	N/A	N/A	N/A
Adjustable Flashing 0/12-6/12	46DVA-F6	4DT-AF6	4D12S	4DF	SV4STC14	TF-4FA	VDV-F0406
Adjustable Flashing 6/12-12/12	46DVA-F12	4DT-AF12	4D36S	4DF-12	SV4STC36	TF-4FB	VDV-SSO
Vinyl Siding Standoff	46DVA-VSS	4DT-VS	N/A	4DVS	SV4VS	TM-VSS	N/A
Vinyl Siding Shield Plate	N/A	4DT-VSP	N/A	N/A	SV4VS	N/A	N/A
Snorkel Termination 14"	46DVA-SNK14	4DT-ST14	N/A	N/A	N/A	TM-4ST14	N/A
Snorkel Termination 36"	*46DVA-SNK36	4DT-ST36	N/A	N/A	N/A	TM-4ST36	N/A
Wall Firestop	46DVA-WFS	N/A	N/A	N/A	N/A	TM-4TR	VDV-FS04

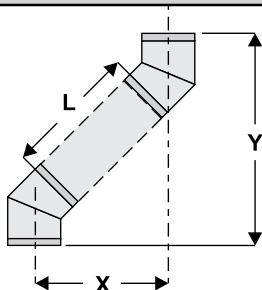
* Not available from Regency

FPI			
946-506/P	Vent Guard (Optional) for AstroCap	946-205	Vinyl Siding Shield for Riser Vent Terminal
**510-994	Rigid Pipe Adaptor (Must use with all rigid piping)	946-208/P	Vent Guard (Optional) for Riser Vent Terminal
640-530/P	Riser Vent Terminal	946-523/P	AstroCap Horizontal Cap
		946-206	Vinyl Siding Standoff for AstroCap

**The rigid pipe adaptor is not required on the C34, C34E, U39, U39E, H15, H27, H35 & RC500E.

Note: When using Metal-Fab Sure Seal Rigid Piping - please note that the Adaptor (4DDA) must be used in conjunction with FPI Rigid Pipe Adaptor (510-994).

Offset Pipe Selection: Use this table to determine offset pipe lengths.		
Pipe Length (L)	4" x 6-5/8" Venting	
	Run (X)	Rise (Y)
0" (0mm)	4-7/8" (124mm)	13-7/8" (340mm)
6" (152mm)	8" (203mm)	16-1/2" (419mm)
9" (229mm)	10-1/8" (257mm)	18-5/8" (473mm)
12" (305mm)	12-1/4" (311mm)	20-3/4" (527mm)
24" (610mm)	20-5/8" (524mm)	29-1/8" (740mm)
36" (914mm)	29" (737mm)	37-1/2" (953mm)
48" (1219mm)	37-7/16" (951mm)	45-15/16" (1167mm)



For specific instructions on venting components - visit the manufacturers website listed below.

Simpson Direct Vent Pro: www.duravent.com

Selkirk Direct-Temp: www.selkirkcorp.com

American Metal Products: www.americanmetalproducts.com

Metal-Fab Sure Seal: www.mtfab.com

Security Secure Vent: www.securitychimneys.com

Industrial Chimney Company: www.icc-rsf.com

Olympia Ventis DV: www.olympiachimney.com

Note: Horizontal runs of vent must be level, or have a 1/4" rise for every 1 foot of run towards the termination.
Never allow the vent to run downward - this could cause high temperatures and may present a possible fire hazard.

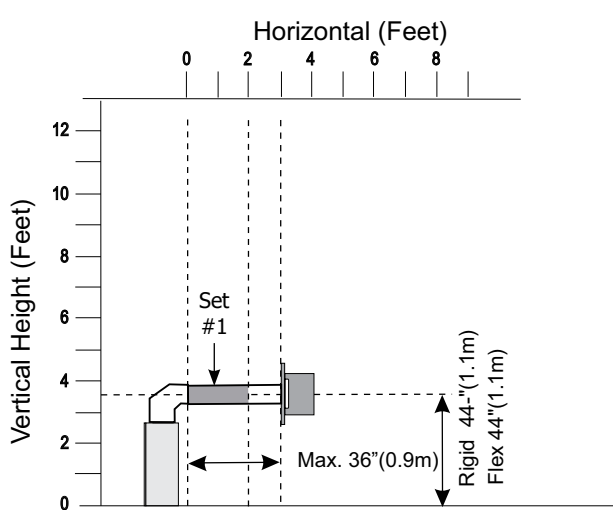
Venting Arrangements for Horizontal Terminations - Flex Vent/Rigid Pipe - 4" x 6-5/8" (102 mm x 168 mm)

The Diagrams show all allowable combinations of vent runs with 4" x 6-5/8" venting using the Regency direct vent system or rigid vent system. A vent guard should be used whenever the termination is lower than the specified minimum or as per local codes.

For horizontal terminations the Regency Direct Vent Flex System may be used for installations with a maximum **continuous** vent maximum horizontal length of 3ft (0.9m).

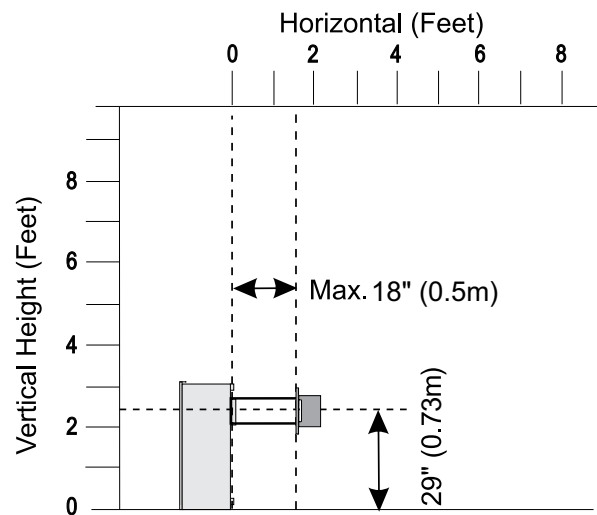
Note: Must use optional rigid pipe adaptor (Part # 510-994) when using Rigid Pipe vent systems.

- Maintain clearance to combustibles.
- Horizontal vent must be supported every 3 feet.
- Firestops are required at each floor level and whenever passing through a wall.



Top Vented

Set #1 (2" open) up to 2' horizontal
Factory Setting - no restrictor required greater than 2' horizontal



Rear Vented

Factory Setting - No Restrictor Required

installation

Rigid Pipe Venting Systems - Horizontal or Vertical Terminations

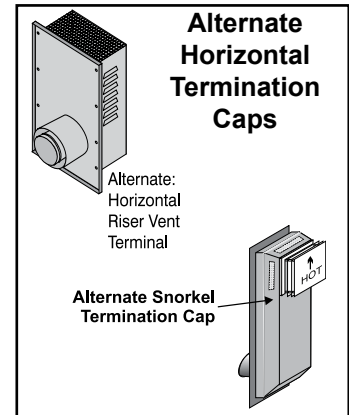
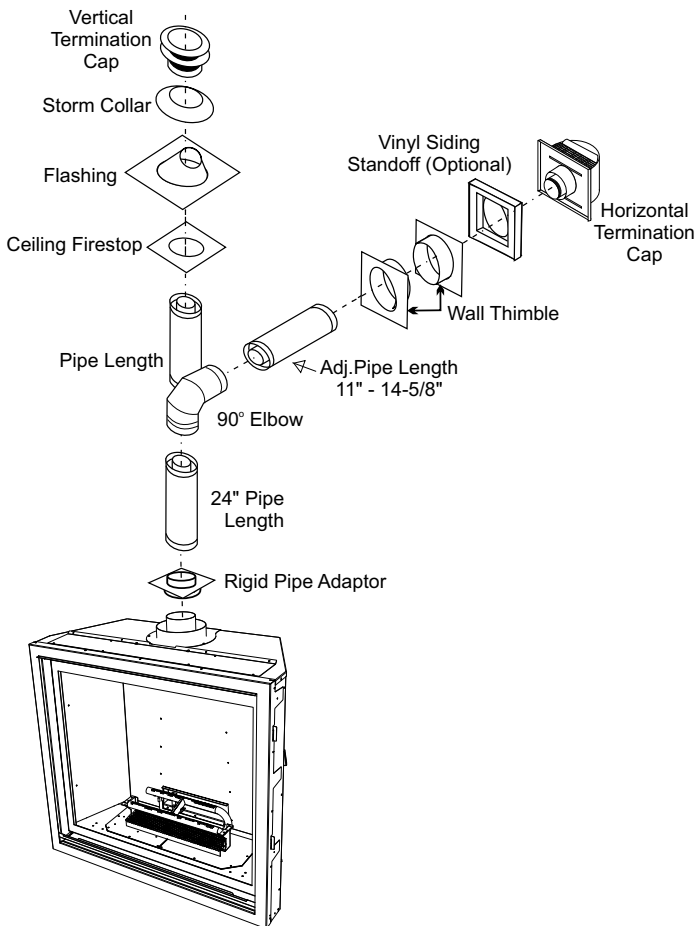
The minimum components required for a basic horizontal termination are:

- 1 Horizontal Termination Cap
- 1 90° Elbow
- 1 Rigid Pipe Adaptor
- 1 Wall Thimble
- 1 Length of pipe to suit wall thickness (see chart)

Wall thickness is measured from the back standoffs to the inside mounting surface of termination cap. For siding other than vinyl furring strips may be used, instead of the vinyl siding standoff, to create a level surface to mount the vent terminal. The Terminal must not be recessed into siding. Measure the wall thickness including furring strips.

If a Vinyl Siding Standoff is required (it must be used with vinyl siding), measure to outside surface of wall without siding and add 2 inches.

Flat Wall Installation	
Wall Thickness (inches)	Vent Length Required (inches)
4" (102mm) - 5-1/2" (140mm)	6" (152mm)
7" (178mm) - 8-1/2" (216mm)	9" (229mm)
10" (254mm) - 11-1/2" (292mm)	12" (305mm)
9" (229mm) - 14-1/2" (368mm)	11" (279mm) - 14-5/8" (371mm) Adj. Pipe
15" (381mm) - 23-1/2" (597mm)	17" (432mm) - 24" (610mm) Adj. Pipe
Corner Installation	
Wall Thickness (inches)	Vent Length Required (inches)
3-1/4" (83mm) - 6-3/4" (171mm)	11" (279mm) - 14-5/8" (371mm) Adj. Pipe
7-3/4" (197mm) - 16-1/4" (413mm)	17" (432mm) - 24" (610mm) Adj. Pipe
7-1/4" (184mm) - 8-3/4" (222mm)	6" (152mm) + 12" (305mm) 9" (229mm) + 9" (229mm)
4-1/4" (108mm) - 5-3/4" (146mm)	6" (152mm) + 9" (229mm)



WARNING:

Do not combine venting components from different venting systems.

However use of the AstroCap™ and FPI Riser is acceptable with all systems.

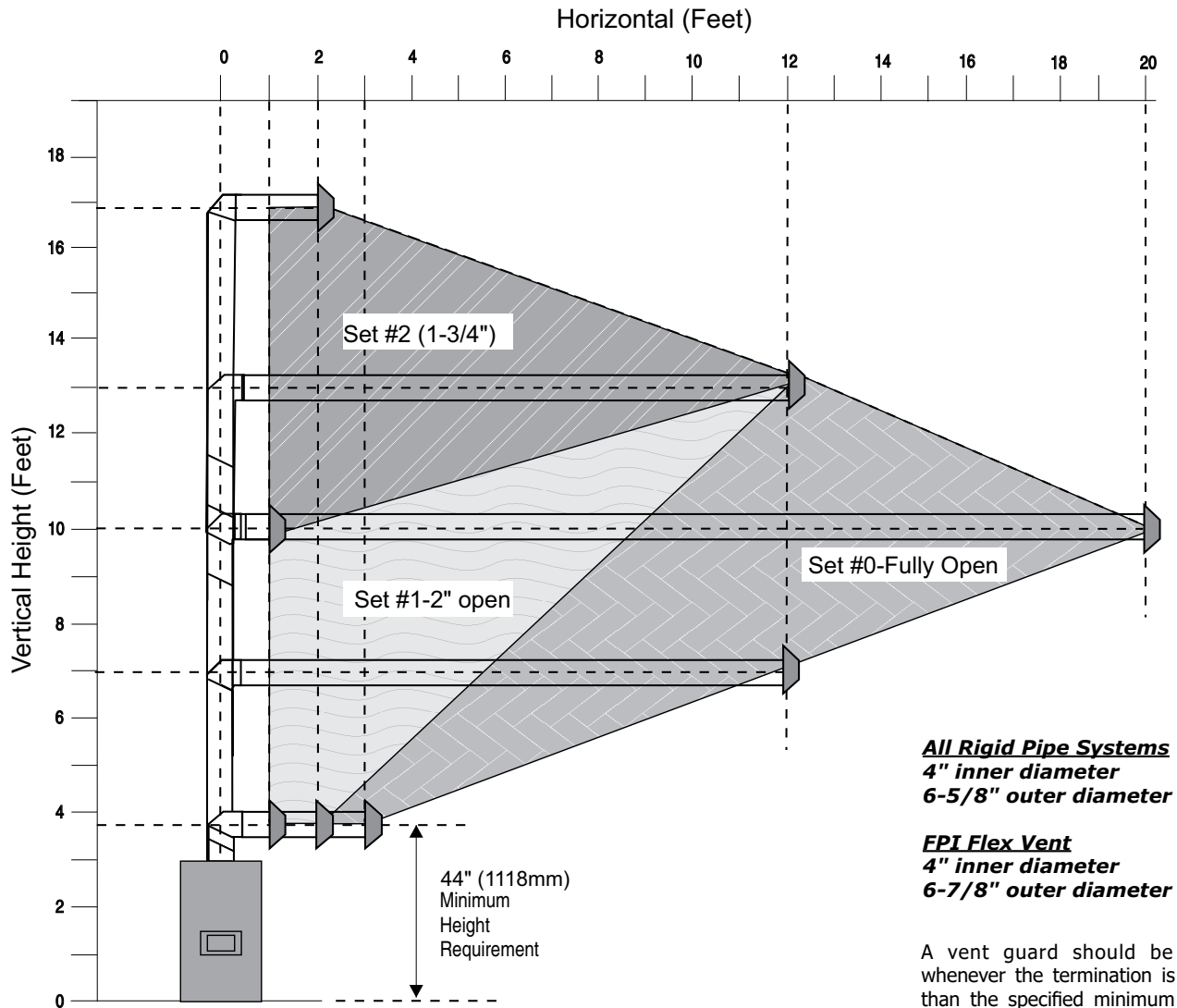
This product has been evaluated by Intertek for using a Rigid Pipe Adaptor in conjunction with DuraVent Direct Vent, Selkirk Direct-Temp, Ameri Vent Direct venting, Olympia Ventis DV and Security Secure Vent systems. Use of these systems with the Rigid Pipe Adaptor is deemed acceptable and does not affect the Intertek WHI listing of components.

The FPI AstroCap™ and FPI Riser Vent terminal are certified for installations using FPI venting systems as well as Simpson Dura-Vent® Direct Vent , American Metal Products, Olympia Ventis DV, Security Secure Vent®, AmeriVent Direct Vent. AstroCap™ is the proprietary trademark of FPI Fireplace Products International Ltd. Dura-Vent® and Direct Vent are registered and/or proprietary trademarks of Simpson Dura-Vent Co. Inc.

Venting Arrangements - Horizontal Termination - Rigid Pipe and Direct Vent System (Flex) (Propane & Natural Gas)

The diagram shows all allowable combinations of vertical runs with horizontal terminations, using one 90° elbow (two 45° elbows equal one 90° elbow).

Note: Must use optional rigid pipe adaptor (Part # 510-994) when using Rigid Pipe venting systems.



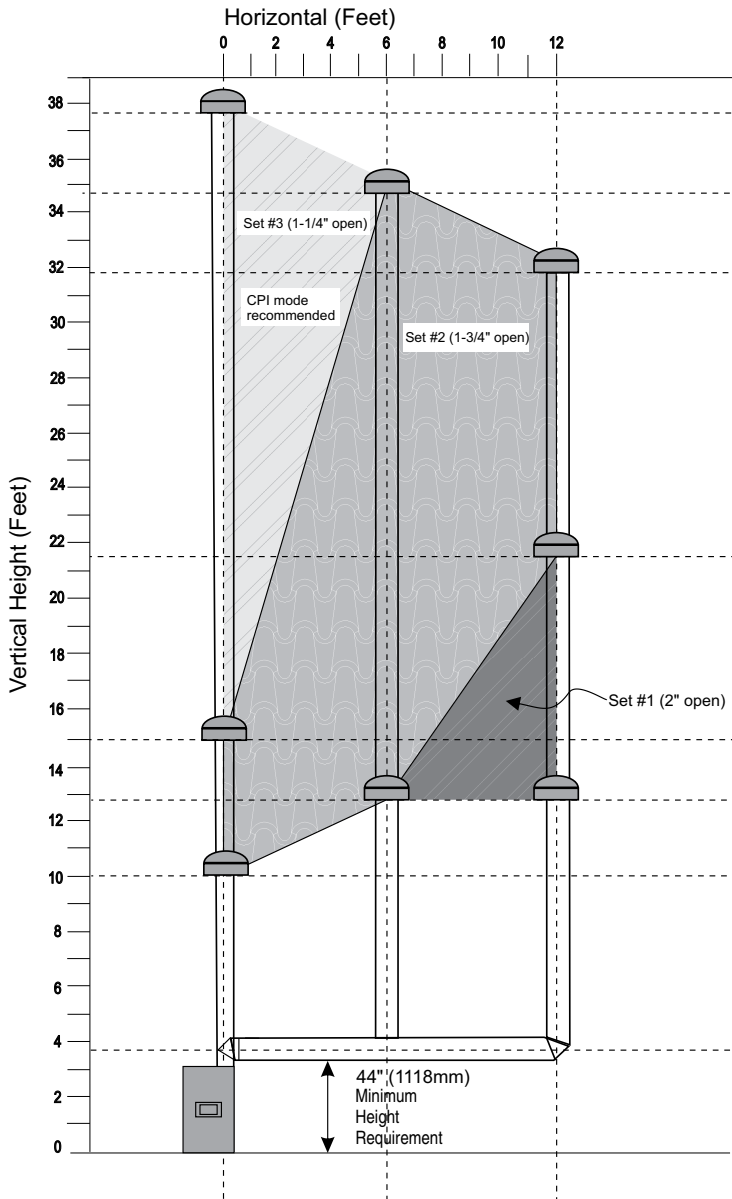
- Maintain clearances to combustibles.
- Horizontal vent must be supported every 3 feet.
- Firestops are required at each floor level and whenever passing through a wall.

Note: FPI Direct Vent Flex System Part #:946-513 (2 foot), 946-515 (4 foot) and 946-516 (10 foot) are only approved for horizontal terminations.

installation

Venting Arrangements Vertical Termination - Rigid Pipe System and Vertical Flex Kit to Same Limitations (Propane & Natural Gas)

The shaded area in the diagram shows all allowable combinations of straight vertical and offset to vertical terminations, using two 90° elbows, with rigid pipe vent systems for Propane and Natural Gas.



- Vent must be supported at offsets.
- Firestops are required at each floor level and whenever passing through a wall.
- Maintain clearances to combustibles.

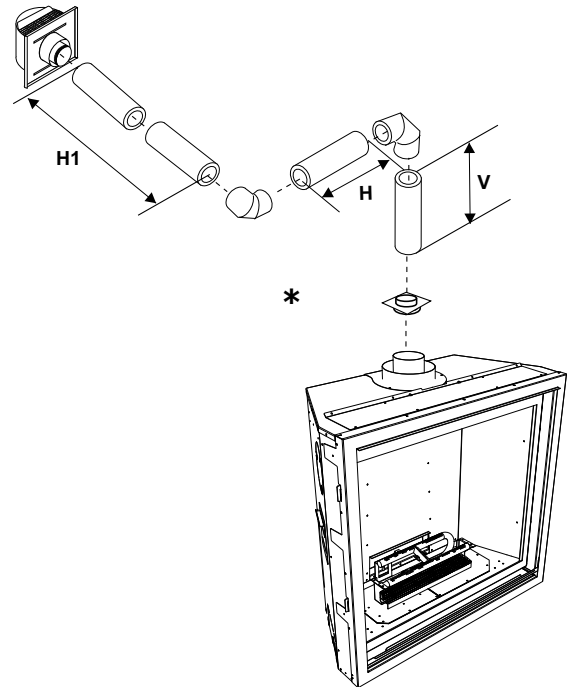
Note: Must use optional rigid pipe adaptor when using rigid vent systems (Part # 510-994).

Horizontal Terminations - Two 90° Elbows

<i>One 90° elbow = Two 45° elbows.</i>		
Option	V	H + H1
A)	0' Min.	2' (0.61 m) Max.
B)	1' (0.3 m) Min.	3' (0.91 m) Max.
C)	2' (0.61 m) Min.	4' (1.22 m) Max.
D)	3' (0.91 m) Min.	5' (1.52 m) Max.
E)	4' (1.22 m) Min.	6' (1.82 m) Max.
F)	5' (1.52 m) Min.	7' (2.13 m) Max.
G)	6' (1.82 m) Min.	8' (2.44 m) Max.

With these options, maximum total pipe length is 30 feet (9.14 m) with minimum of 6 feet (1.82 m) total vertical and maximum 8 feet (2.44 m) total horizontal. Please note minimum 1 foot (0.3 m) between 90° elbows is required.

Restrictor Set #1 - 2" (51 mm) open. Lengths do not include elbows indicated.
*Required when using rigid venting.

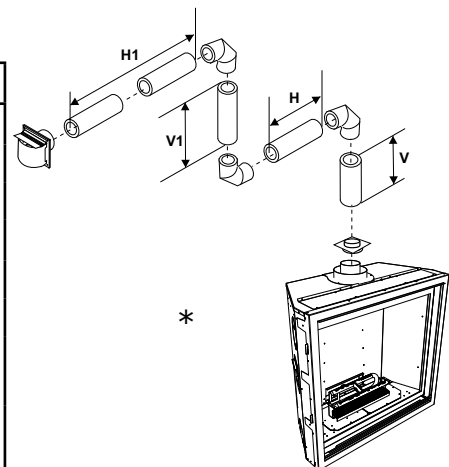


Horizontal Terminations - Three 90° Elbows

<i>One 90° elbow = Two 45° elbows.</i>				
Option	V	H	V + V1	H + H1
A)	0' Min.	1' (0.3 m) Max.	1' (0.3 m) Min.	2' (0.61 m) Max.
B)	1' (0.3 m) Min.	2' (0.61 m) Max.	3' (0.91 m) Min.	3' (0.91 m) Max.
C)	2' (0.61 m) Min.	2' (0.61 m) Max.	5' (1.52 m) Min.	4' (1.22 m) Max.
D)	3' (0.91 m) Min.	2' (0.61 m) Max.	7' (2.13 m) Min.	5' (1.52 m) Max.
E)	4' (1.22 m) Min.	3' (0.91 m) Max.	9' (2.74 m) Min.	6' (1.82 m) Max.
F)	5' (1.52 m) Min.	4' (1.22 m) Max.	10' (3.04 m) Min.	7' (2.13 m) Max.
G)	6' (1.82 m) Min.	5' (1.52 m) Max.	11' (3.35 m) Min.	8' (2.44 m) Max.
H)	7' (2.13 m) Min.	6' (1.82 m) Max.	12' (3.66 m) Min.	9' (2.74 m) Max.

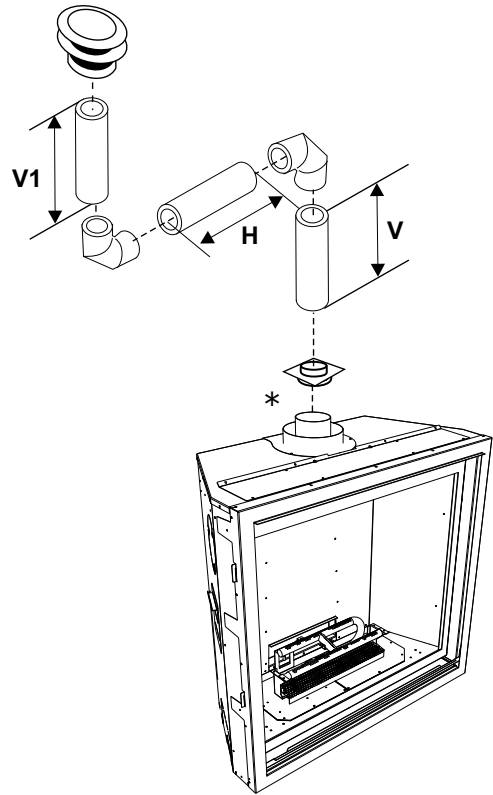
With these options, max. total pipe length is 30 feet (9.14 m) with min. of 12 feet (3.66 m) total vertical and max. 9 feet (2.79 m) total horizontal. Please note min. 1 foot (0.3 m) between 90° elbows is required.

Restrictor Set #1 - 2" (51 mm) open. Lengths do not include elbows included.
*Required when using rigid venting.



installation

Vertical Terminations - Vertical Venting With Two 90° Elbows



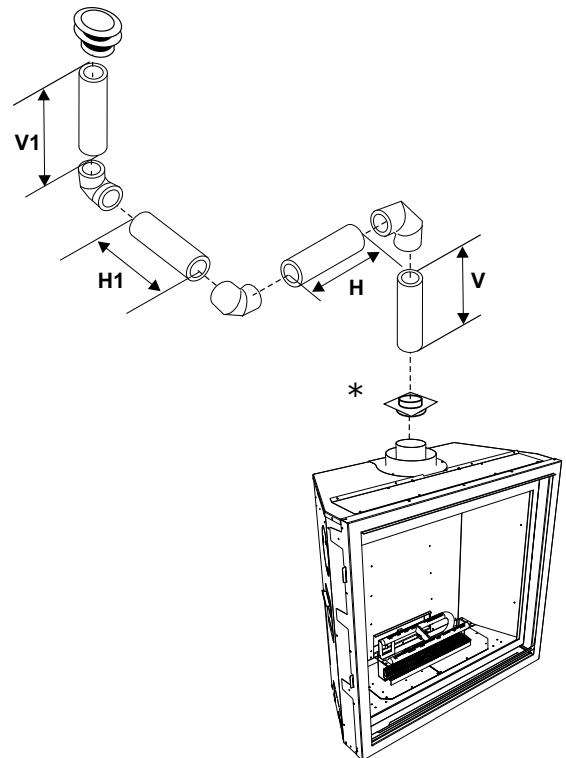
One 90° elbow = Two 45° elbows.			
Option	V	H	V + V1
A)	0' Min.	2' Max.	1' Min.
B)	1' Min.	4' Max.	3' Min.
C)	2' Min.	5' Max.	4' Min.
D)	3' Min.	6' Max.	5' Min.
E)	4' Min.	7' Max.	6' Min.
F)	5' Min.	8' Max.	7' Min.

With these options, maximum total pipe length is 30 feet with minimum of 7 feet total vertical and maximum 8 feet total horizontal.

Please note minimum 1 foot between 90° elbows is required.

Lengths do not include elbow indicated.
***Required when using rigid venting**

Vertical Venting With Three 90° Elbows



One 90° elbow = Two 45° elbows.			
Option	V	H + H1	V + V1
A)	0' Min.	2' Max.	2' Min.
B)	1' Min.	2' Max.	3' Min.
C)	2' Min.	3' Max.	4' Min.
D)	3' Min.	4' Max.	6' Min.
E)	4' Min.	5' Max.	7' Min.
F)	5' Min.	6' Max.	8' Min.
G)	6' Min.	7' Max.	9' Min.
H)	7' Min.	8' Max.	10' Min.

With these options, maximum total pipe length is 30 feet with minimum of 10 feet total vertical and maximum 8 feet total horizontal.

Please note minimum 1 foot between 90° elbows is required.

Lengths do not include elbow indicated.
***Required when using rigid venting**

Venting Arrangements with Co-linear Flex System Into a Masonry Chimney

IMPORTANT: As shown below, the unit can only be vented from the top, not from the rear.

THE APPLIANCE MUST NOT BE CONNECTED TO A CHIMNEY FLUE SERVING A SEPARATE SOLID FUEL BURNING APPLIANCE.

This appliance is designed to be attached to two 3" (76mm) co-linear aluminium flex running the full length of the chimney. See the Venting Arrangements on next page for minimum and maximum heights.

Required Parts:

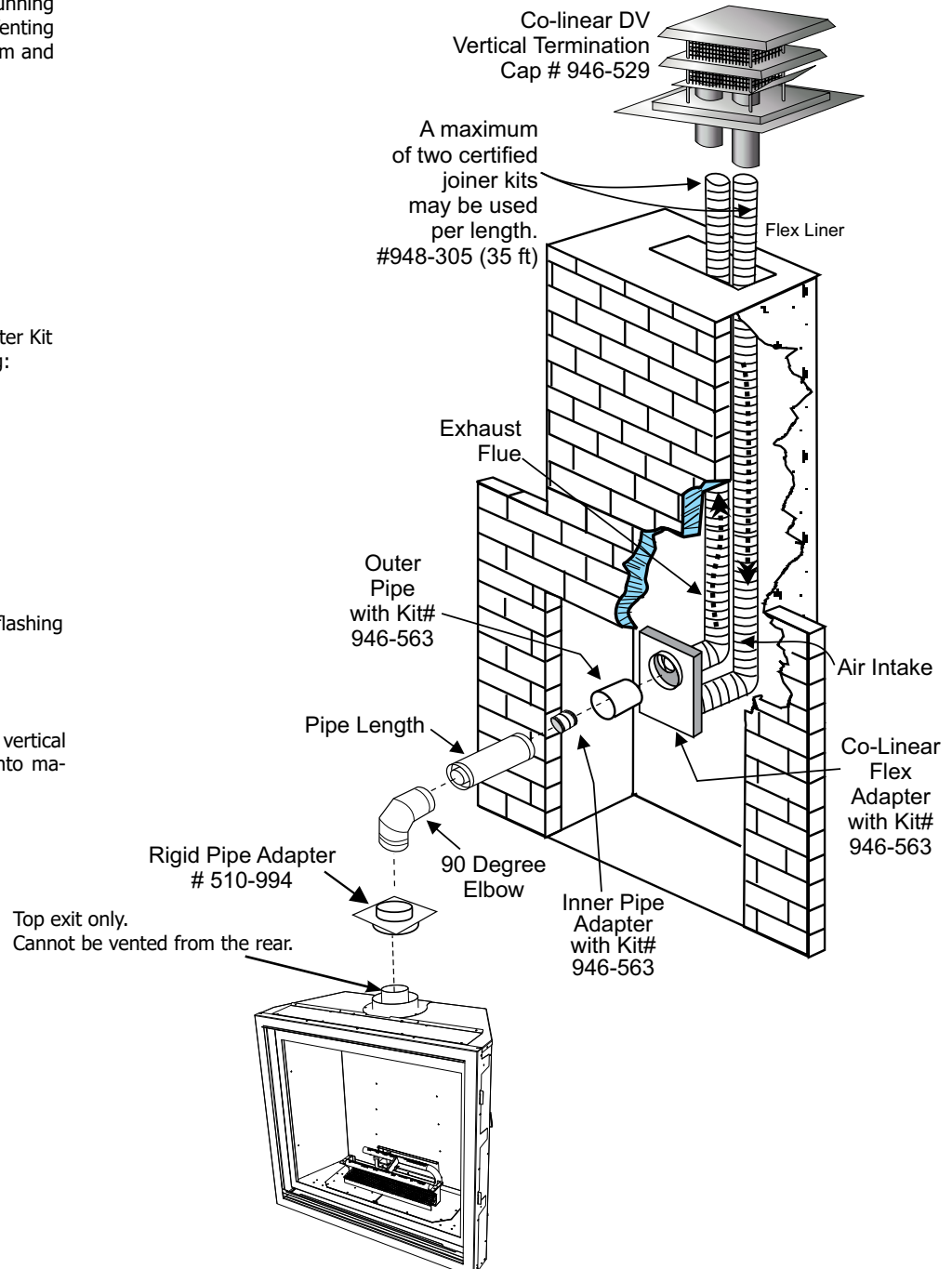
Part #	Description
946-529	Co-linear DV Vertical Termination Cap
948-305	3" Flex - 35 ft.
946-563	Co-Axial to Co-Linear Adapter Kit which contains the following: Co-linear Flex Adapter Outer Pipe Inner Pipe Adapter Rigid Pipe Adapter
510-994	Rigid Pipe Adapter

Alternate Approved Caps

46dva-VC	Vertical Termination Cap
46dva-VCH	High Wind Cap
46dva-GK	3" Co-linear Adapter with flashing

NOTE:

See detailed venting arrangements, vertical terminations, co-linear flex system into masonry fireplaces in this manual.



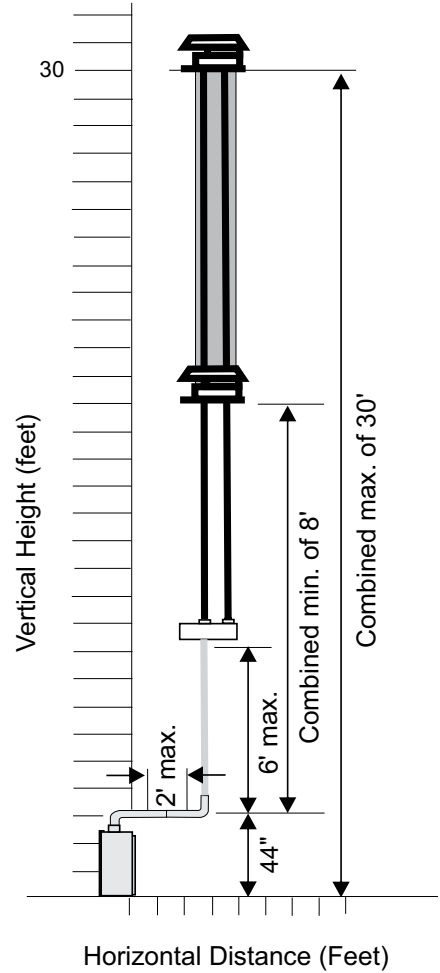
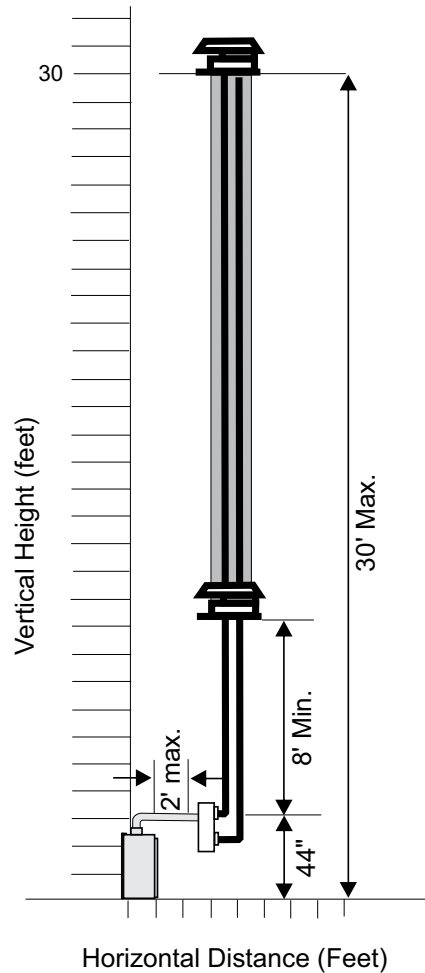
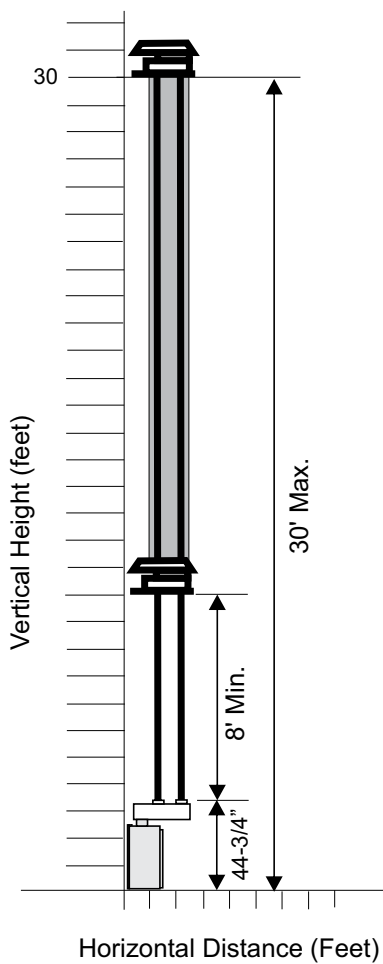
installation

Venting Arrangement - Vertical Terminations - Co-linear Flex System Into Masonry Fireplaces

FOR BOTH RESIDENTIAL & MANUFACTURED HOMES

IMPORTANT: As shown below, the unit can only be vented from the top, not from the rear.

Restrictor at Set #1 (2" open)



Unit Installation With Horizontal Termination

Install the vent system according to the manufacturer's instructions included with the components.

1. Set the unit in its desired location. Check to determine if wall studs or roof rafters are in the way when the venting system is attached. If this is the case, you may want to adjust the location of the unit. Rough in the gas preferably on the right side of the unit and the electrical (junction block is on the left side) on the left.
2. Direct Vent pipe and fittings are designed with special twist-lock connections to connect the venting system to the appliance flue outlet. A twist-lock appliance adaptor is an available option that must be used in conjunction with the Simpson Dura-Vent Direct Vent system.
3. Put a bead of Mill-Pac inside the outer section of the adapter and on the inner collar. Slip the adapter over the existing inner and outer flue collar and fasten to the outer collar only with the 3 supplied screws (drilling pilot holes will make this easier). Level the fireplace and fasten it to the framing using nails or screws through the nailing strips.
4. Assemble the desired combination of pipe and elbows to the appliance adaptor and twist-lock for a solid connection.

Notes:

- a) Twist-lock procedure: Four indentations, located on the female ends of pipes and fittings, are designed to slide straight onto the male ends of adjacent pipes and fittings, by orienting the four pipe indentations so they match and slide in to the four entry slots on the male ends, Diagram 1. Push the pipe sections completely together, then twist-lock one section clockwise approximately one-quarter turn, until the two sections are fully locked. The female locking lugs will not be visible from the outside, on the Black Pipe or fittings. They may be located by examining the inside of the female ends.

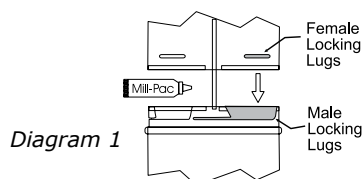


Diagram 1

NOTE: For best results and optimum performance with each approved venting system, it is highly recommended to apply "Mill-Pac" sealant (supplied) to every inner pipe connection. Failure to do so may result in drafting or performance issues not covered under warranty.

- b) Horizontal runs of vent must be supported every three feet. Wall straps are available for this purpose.
5. Mark the wall for a 10" x 10" square hole. The center of the square hole should line up with the centerline of the horizontal pipe. Cut and frame the 10 inch square hole in the exterior wall where the vent will be terminated. If the wall being penetrated is constructed of non-combustible material, i.e. masonry block or concrete, a 7"(178mm) dia. (7-1/2"(191mm) dia. for flex) hole is acceptable.

Note: With Dura-Vent, the minimum height is achieved by installing a 90° elbow directly to the rigid pipe adaptor.

Notes:

- a) The horizontal run of vent must be level, or have a 1/4 inch rise for every 1 foot of run towards the termination. Never allow the vent to run downward. This could cause high temperatures and may present the possibility of a fire.
- b) The location of the horizontal vent termination on an exterior wall must meet all local and national building codes, and must not be blocked or obstructed. For External Vent Terminal Locations, see Exterior Vent Termination Location.
- c) **Snorkel Terminations:** For installations requiring a vertical rise on the exterior of the building, 14-inch and 36-inch tall Snorkel Terminations are available, as well as the standard Riser Vent. Follow the same installation procedures as used for standard Horizontal Termination. NEVER install the snorkel upside down.

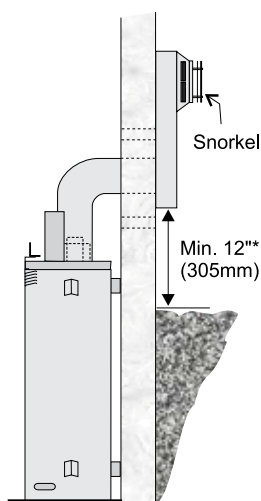


Diagram 2

*As specified in CSA B149.1 Installation Code. Local codes or regulations may require different clearances.

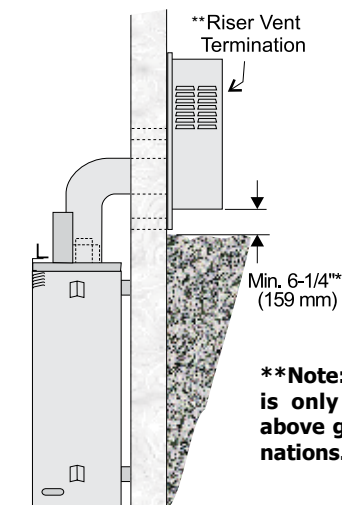


Diagram 3

****Note:** Riser Vent is only for use in above grade terminations.

***Diagrams 2, 3, & 4: As specified in CSA B149.1 Installation Code. Local codes or regulations may require different clearances.**

- 6) **The arrow on the vent cap should be pointing up.** Insure that the 1-1/2" clearances to combustible materials are maintained (Diagram 4). Install the termination cap.

Below Grade Installation

If the Snorkel Termination must be installed below grade, i.e. basement application, proper drainage must be provided to prevent water from entering the Snorkel Termination. Refer to Diagram 4. Do not attempt to enclose the Snorkel within the wall, or any other type of enclosure.

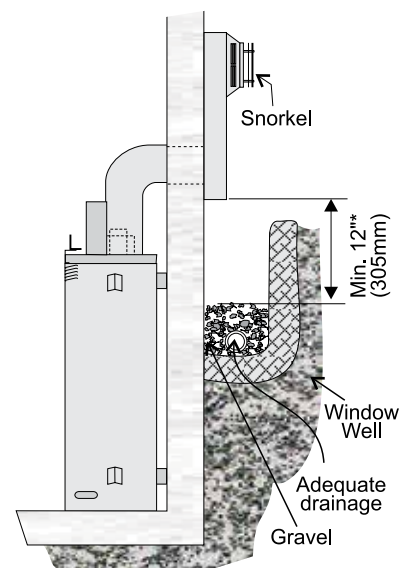
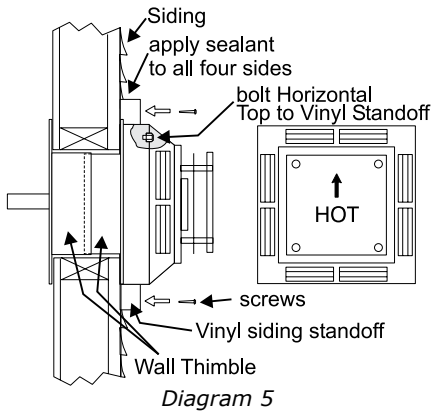


Diagram 4

NOTE: For Snorkel terminations in ABOVE grade installations, follow national or local code requirements.

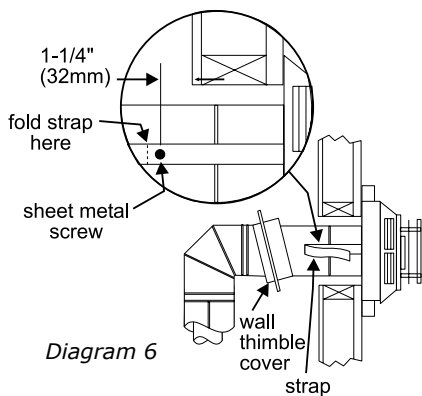
installation



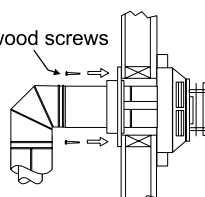
The four wood screws provided should be replaced with appropriate fasteners for stucco, brick, concrete, or other types of sidings.

Note: If installing termination on a siding covered wall, a vinyl siding standoff or furring strips must be used to ensure that the termination is not recessed into the siding.

- Before connecting the horizontal run of vent pipe to the vent termination, slide the Wall Thimble over the vent pipe.
- Slide the appliance and vent assembly towards the wall carefully inserting the vent pipe into the vent cap assembly. It is important that the vent pipe extends into the vent cap sufficient distance so as to result in a minimum pipe overlap of 1-1/4 inches. Secure the connection between the vent pipe and the vent cap by attaching the two sheet metal strips extending from the vent cap assembly into the outer wall of the vent pipe. Use the two sheet metal screws provided to connect the strips to the pipe section. See Diagram 6.

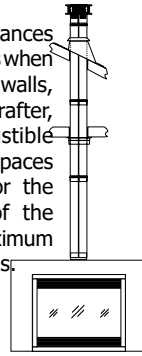


- Install wall thimble in the center of the 10" square and attach with wood screws (Diagram 7).

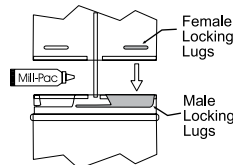
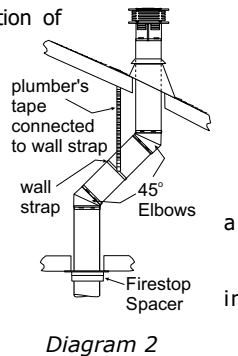


Unit installation With Vertical Termination

- Maintain the 1-1/4" clearances (air spaces) to combustibles when passing through ceilings, walls, roofs, enclosures, attic rafter, or other nearby combustible surfaces. Do not pack air spaces with insulation. Check for the maximum vertical rise of the venting system and the maximum horizontal offset limitations:

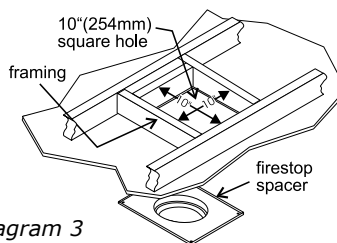


- Set the gas appliance in its desired location. Drop a plumb bob down from the ceiling to the position of the appliance flue exit, and mark the location where the vent will penetrate the ceiling. Drill a small hole at his point. Next, drop plumb bob from the roof to the hole previously drilled the ceiling, and mark the spot where the vent will penetrate the roof. Determine if ceiling joists, roof rafters or other framing will obstruct the venting system. You may wish to relocate the appliance or to offset, as shown in Diagram 2 to avoid cutting load bearing members.



NOTE: For best results and optimum performance with each approved venting system, it is highly recommended to apply "Mill-Pac" sealant (supplied) to every inner pipe connection. Failure to do so may result in drafting or performance issues not covered under warranty.

- A Firestop spacer must be installed in the floor or ceiling of every level. To install the Firestop spacer in a flat ceiling or wall, cut a 10 inch square hole. Frame the hole as shown in Diagram 3 and install the firestop.



- Assemble the desired lengths of pipe and elbows. Ensure that all pipes and elbow connections are in the fully twist-locked position and sealed.
- Cut a hole in the roof centered on the small drilled hole placed in the roof in Step 2. The hole should be of sufficient size to meet the minimum requirements for clearance to combustibles of 1-1/2". Slip the flashing under the shingles (shingles should overlap half the flashing) as per Diagram 4.

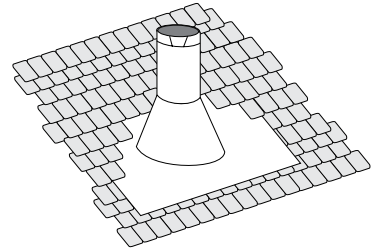
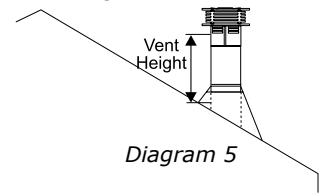


Diagram 4: The upper half of the flashing is installed under the roofing material and not nailed down until the chimney is installed. This allows for small adjustments.

- Continue to assemble pipe lengths.

Note: If an offset is necessary in the attic to avoid obstructions, it is important to support the vent pipe every 3 feet, to avoid excessive stress on the elbows, and possible separation. Wall straps are available for this purpose (Diagram 2).

Galvanized pipe is desirable above the roof line due to its higher corrosion resistance. Continue to add pipe sections through the flashing until the height of the vent cap meets the minimum height requirements specified in Diagram 5 or local codes. Note that for steep roof pitches, the vertical height must be increased.



Roof Pitch	Minimum Vent Height	
	Feet	Meters
flat to 7/12	2	0.61
over 7/12 to 8/12	2	0.61
over 8/12 to 9/12	2	0.61
over 9/12 to 10/12	2.5	0.76
over 10/12 to 11/12	3.25	0.99
over 11/12 to 12/12	4	1.22
over 12/12 to 14/12	5	1.52
over 14/12 to 16/12	6	1.83
over 16/12 to 18/12	7	2.13
over 18/12 to 20/12	7.5	2.29
over 20/12 to 21/12	8	2.44

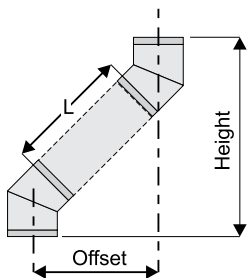
A poor draft, or down drafting can result from high wind conditions near big trees or adjoining roof lines, in these cases, increasing the vent height may solve the problem.

- Ensure vent is vertical and secure the base of the flashing to the roof with roofing nails, slide storm collar over the pipe section and seal with a mastic.
- Install the vertical termination cap by twist-locking it.

Note: Any closets or storage spaces, which the vent passes through must be enclosed.

Offset Chart

GS 6"(152mm) Nominal Diameter ID					
Offset		Pipe Length (L)		Height	
inches	mm	inches	mm	inches	mm
4 3/4	121	0	0	13 1/4	337
9	229	6	152	17 1/2	445
11 1/4	286	9	229	19 1/2	495
13 1/4	337	12	305	21 3/4	552
21 3/4	552	24	610	30 1/4	768
30 1/4	768	36	914	39	991
38	965	48	1219	47	1194

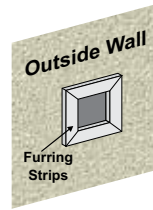


Direct Vent System (Flex) Installation Procedures

- Locate the unit in the framing, rough in the gas (preferably on the left side of the unit) and the electrical (Junction block is on the right side) on the right. Locate the centerline of the termination and mark wall accordingly. Cut a 10"(254mm) hole in the wall (inside dimension).

Note: A 1-1/2"(38mm) clearance around the liner must be maintained except that only a 1" (25mm) clearance is needed at the termination end. We recommend framing a 10"(254mm) x 10"(254mm) (inside dimensions) hole to give structural rigidity for mounting the termination.

Note: To make the installation more aesthetically pleasing, we recommend framing out a square to mount the terminal to.



Note: If installing termination on a siding covered wall, furring strips must be used to ensure that the termination is not recessed into the siding.

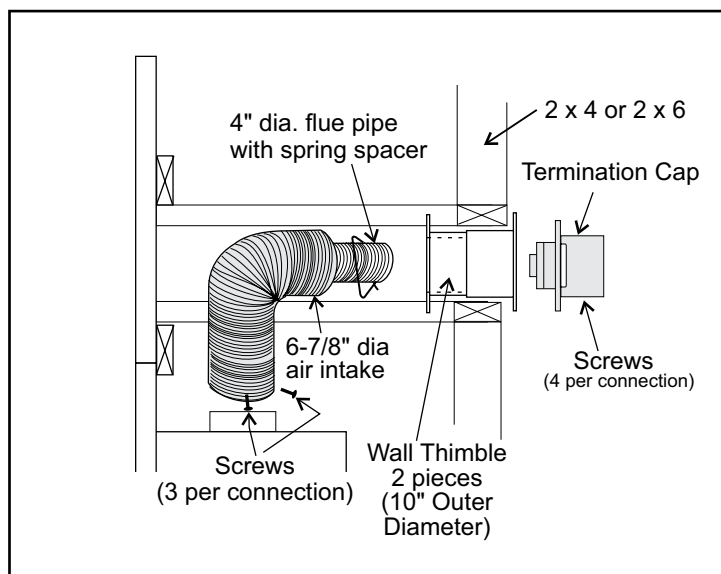
- Level the fireplace and fasten it to the framing using nails or screws through the nailing strips.
- Assemble the vent assembly by applying Mill Pac to the 4"(100mm) inner collar of the termination and slipping the 4"(100mm) liner over it at least 1-3/8" (35mm). Fasten with the 3 screws (drilling pilot holes will make this easier). Apply Mill Pac to the 6-7/8"(175mm) flex pipe and slip it over the 6-7/8" outer collar of the vent terminal at least 1-3/8"(35mm) and fasten with the 3 screws.

NOTE: Horizontal sections must be supported at intervals not exceeding 3 feet (0.9 meter). (Flame picture and performance

will be affected by sags in the liner).

- Separate the 2 halves of the wall thimble and securely fasten the one with the tabs to the outside wall making sure that the tabs are on top and bottom. Fasten the other thimble half to the inside wall. The thimble halves slip inside each other and can be adjusted for 2 x 4 or 2 x 6 walls. The liners must slip over the collars a minimum of 1-3/8".
- Slip the assembled liner and termination assembly through the thimble making sure the termination cap faces up (there are markings on the cap that show which way is up). This will position the termination cap with proper down slope for draining water. Fasten the cap to the outer wall with the 4 supplied screws.
- Pull the centre 4"(100mm) liner and outer 6-7/8"(175mm) liner out enough to slip over the flue collars of the fireplace. (You may wish to cut the liner shorter to make it more workable.) Do not bend liner more than 90°.
- Apply Mill Pac over the fireplace inner collar and slip the 4"(100mm) liner down over it and attach with 3 supplied screws.
- Do the same with the 6-7/8"(175mm) liner.
- Apply a bead of silicone between the thimble and termination and around the outer edge of the terminal at the wall in order to keep the water out.

IMPORTANT: Do not locate termination hood where excessive snow or ice buildup may occur. Be sure to check vent termination area after snow falls, and clear to prevent accidental blockage of venting system. When using snow blowers, make sure snow is not directed towards vent termination area.



installation

Vertical Termination 4" x 6-7/8" (102 mm x 175 mm) Venting - Vertical Flex Vent Kit (Part # 946-755)

- Maintain the 1-1/2" (38 mm) clearance (air space) to combustibles when passing through ceilings, walls, floors, enclosures, attic rafters or other nearby combustibles. Do not pack air spaces with insulation. Check Venting sections for the maximum vertical rise of the venting system and the maximum horizontal offset limitations. Ensure that you maintain clearances around enclosures, walls, below or above floors, floor joists, etc. Each appliance has different clearance requirements (top,sides,bottom). See specific appliance manual for details.
- Set the appliance in its desired position. Drop a plumb bob down from the ceiling/floor joist to the position of the appliance flue exit and mark the location where the vent will penetrate the ceiling. Drill a small hole at this point. Next drop a plumb bob from the roof to the hole previously drilled at the ceiling level and mark the spot where the vent will penetrate the roof.
- Cut a hole in the roof centered on the small hole placed in the roof in the previous steps. The hole should be a minimum of 10-1/4 (260 mm) inches. The hole may be round and or square.
- Slip the flashing under the shingles and line up flashing so it is centered to the hole (shingles should overlap half of the flashing) as per Diagram 1.

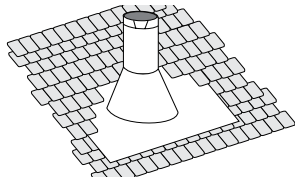


Diagram 1: The upper half of the flashing is installed under the roofing material and not nailed down until the chimney is installed. This allows for small adjustments.

Diagram 1

- A ceiling firestop/firestop spacer must be installed when passing through each floor or ceiling level. To install the ceiling firestop/firestop spacer in a flat ceiling or floor joist cut a 10- 1/4 (260 mm) inch square hole. Frame the hole as show in Diagram 1 and install the ceiling firestop. Slide the top attic insulation spacer onto the top of the attic insulation shield/firestop - See Diagram 1a. Secure with 4 screws/nails. If more than one is required, these can be purchased separately.

Note: The ceiling firestop/firestop spacer may be cut down to size if this shield is too high for the application.

Firestop spacer to prevent debris from falling into the ceiling firestop

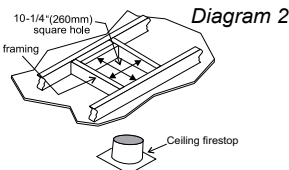


Diagram 2

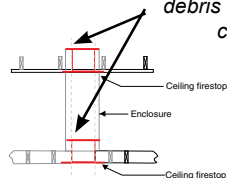


Diagram 2a

- Determine the overall height of the chimney from the top of the appliance to the underside of the flashing. If required cut the flexible inner and outer pipe to the desired length up to a maximum of 20 feet (6.1 m).
- Put a bead of Mill-Pac around the 4 inch (102 mm) collar on the appliance and slide the inner flex pipe over the inner collar of the appliance and secure with a minimum of 3 screws.
- Install 4 inch spacers around 4 inch (102 mm) flex.
- Repeat Step 7 to install the outer pipe to the outer collar of the appliance

Note: If an offset is necessary in the attic or floor joists it is important to support the vent pipe every 3 feet (0.91 m) to avoid excessive stress and sagging of the vent pipe. Wall straps are provided (3 in total) for this purpose. All round/plumbers strapping may also be used if further supports are required.

- Attach the rigid pipe section to the adaptor by using Mill-Pac on the inner/ outer pipe. Use 3 screws to secure outer pipe.

- Secure inner flex pipe to pipe adaptor by using Mill-Pac over the adaptor. Slide the inner pipe over adaptor and secure with 3 screws.
- Repeat Step 11 to secure outer flex.
- Slide the finished length up towards the flashing ensuring the length of pipe is a minimum of 2 feet (0.61 m) measured from the top of the roof. Level the chimney and secure using the roof support provided with kit to bottom side of the roof as shown using a minimum of 2 screws per side-see Diagram 3b. See Diagram 4 for roof pitch and height requirements. See Diagram 3a for securing method if 2 ft. (0.61 m) is insufficient and additional lengths are required, this may be purchased separately. See Simpson Duravent components list in the instruction manual for part numbers.

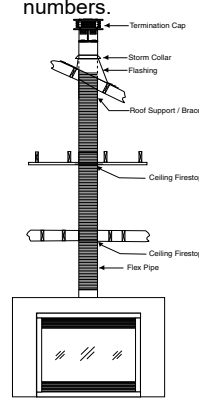


Diagram 3

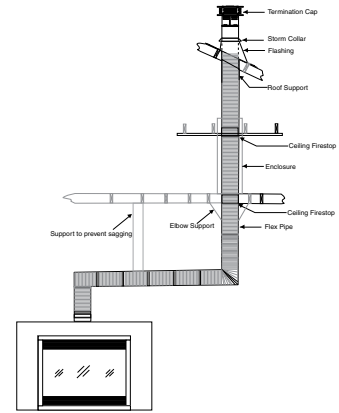


Diagram 3a

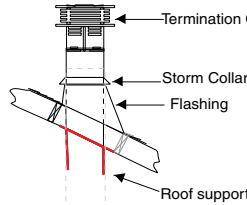


Diagram 3b

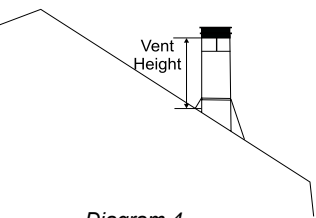


Diagram 4

Roof Pitch	Minimum Vent Height	
	Feet	Meters
flat to 7/12	2	0.61
over 7/12 to 8/12	2	0.61
over 8/12 to 9/12	2	0.61
over 9/12 to 10/12	2.5	0.76
over 10/12 to 11/12	3.25	0.99
over 11/12 to 12/12	4	1.22
over 12/12 to 14/12	5	1.52
over 14/12 to 16/12	6	1.83
over 16/12 to 18/12	7	2.13
over 18/12 to 20/12	7.5	2.29
over 20/12 to 21/12	8	2.44

- Put a bead of caulking on the exterior between the outer pipe and flashing to prevent water from penetrating the chimney system.
- Slide storm collar over pipe length until it reaches the flashing.
- Install termination cap by twist locking it.
- Secure the flashing to the roof using screws

Note: Any closets or storage spaces which the vent passes through must be enclosed.

Vertical Flue Extension Kit (Part #946-756)

20 foot (6.1 m) Flex pipe Extension

(Used in conjunction with the 946-755 Vertical Flex kit and 948-367/P flex to flex adaptor).

1. Stretch out both inner 4" (102 mm) and outer 6 7/8" (175 mm) pipe up to a maximum of 20 feet.

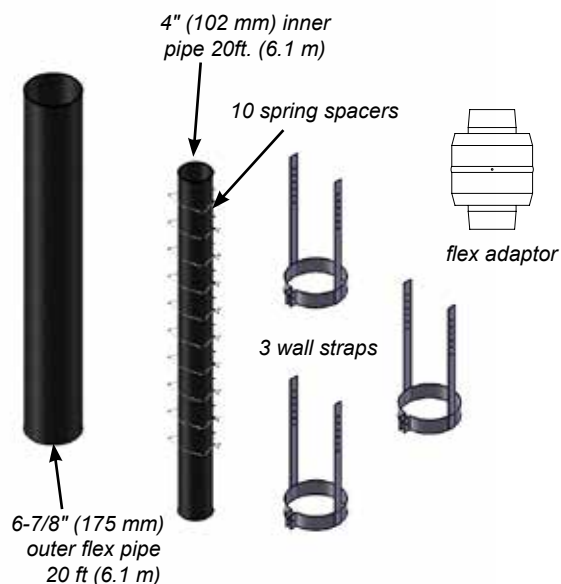
Note :The inner and outer pipes may be cut if only a short length is required.

2. Install spring spacers around 4" (102 mm) inner pipe as shown. Slide outer flex pipe over and all the way down the 4" pipe.
3. Apply a bead of Mill Pac around the perimeter of the 4" (102 mm) inner collar of the flex adaptor and slip the 4" (102 mm) inner flex pipe from the Vertical termination kit over the flex adaptor ensuring that the inner flex pipe overlaps the collar by at least 1-3/8" (35 mm). Fasten with 3 screws.
4. Apply a bead of Mill Pac around the perimeter of the 6-7/8" (175 mm) outer collar of the flue adaptor and slip it over the 6-7/8" (175 mm) outer flex pipe from the vertical termination kit ensuring that the outer flex pipe overlaps the collar by at least 1-3/8" (35 mm). Fasten with the 3 screws.
5. Repeat steps to secure the other end of the flex adaptor using the flex kit.

6. See Vertical Vent installation instructions for installation of the complete vent system.

Note: If an offset is necessary in the attic or floor joists it is important to support the vent pipe every 3 feet (0.91 m) to avoid excessive stress and sagging of the vent pipe. Wall straps are provided (3 in total) for this purpose.

All round/plumbers strapping may also be used if further supports are required.

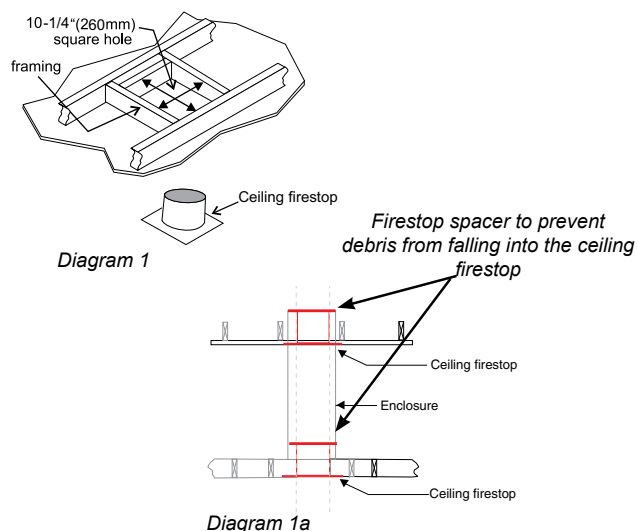


Ceiling Firestop/Firestop Spacer (Part #946-757)

Used in conjunction with the 946-755 Vertical Flex Kit and the 946-756 Vertical Flex Extension Kit/Horizontal Power Vent Kit.

A ceiling firestop/firestop spacer must be installed when passing through each floor or ceiling level. To install the ceiling firestop/firestop spacer in a flat ceiling or floor joist, cut a 10- 1/4 inch square hole, frame it as show in Diagram 1, and install the ceiling firestop. Slide the top attic insulation spacer onto the top of the attic insulation shield/firestop (see Diagram 1a). Secure with 4 screws/nails. If more than one firestop is required, these can be purchased separately.

NOTE • The ceiling firestop/firestop spacer may be cut down to size if the shield is too high for the application.



LP Conversion using SIT 885 PROFLAME Gas Valve

**THIS CONVERSION MUST BE DONE BY A QUALIFIED GAS FITTER
IF IN DOUBT DO NOT DO THIS CONVERSION !!**

Each Kit contains one LP Conversion Kit

Conversion Kit #761-969 Contains:

Qty.	Part #	Description
1	904-947	Burner Orifice #53
1	904-529	5/32" Allen Key
1	918-590	Decal "Converted to LPG"
1	908-528	Red "LP" label
1	910-037	LP Injector (Pilot Orifice)
1	911-011	Stepper Motor
1	920-147c	Instruction Sheet

Installation of LP Conversion Kit:

1. Shut off the gas and electrical supply.

2. Remove the safety screen*.

3. Remove the glass door*.

4. Remove the logs, glass, and any other media* if already installed.

5. Remove the two log supports* and log grate assembly by removing 2 screws and sliding the tray forward to remove.

*(See specific instructions in unit manual.)



Diagram 1: Remove the left and right screws.

6. Remove three screws then remove the burner assembly.



Diagram 2: Slide burner assembly to the right—then remove.

7. Remove the pilot retainer clip below the pilot cap.



Pilot retainer clip



8. Pull off the pilot cap to expose the pilot orifice.



9. Unscrew the pilot orifice with the Allen key; then replace with the LPG pilot orifice, provided in the kit.



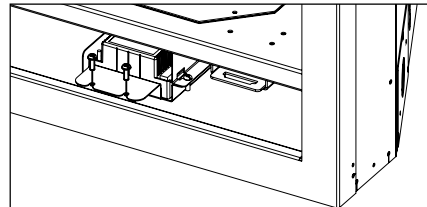
10. Re-install pilot cap and pilot retainer clip.

11. Remove burner orifice with a 3/8" wrench. Use another wrench to hold on to the elbow behind the orifice. Discard orifice.

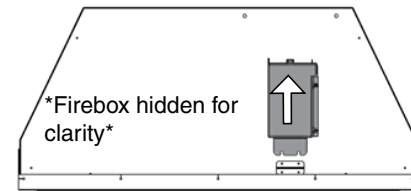


12. Reinstall new burner orifice LPG stamped #53 and tighten.

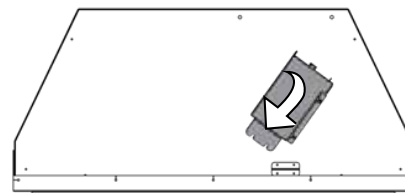
13. Loosen the two Phillips head screws as shown. They do not need to be removed.



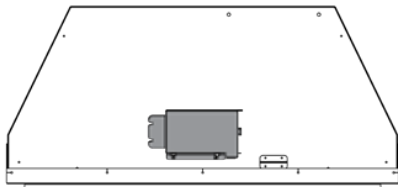
14. Push the IFC Box back.



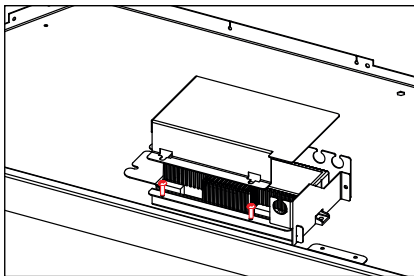
15. Rotate the front of the IFC box to the left.



16. Pull the IFC box to the front of the unit with the two screws showing.

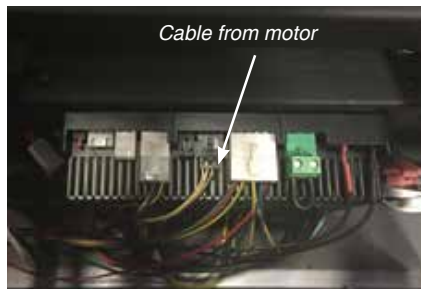


17. Loosen the two screws that secure the cover plate to the IFC mount. Then remove the cover plate.

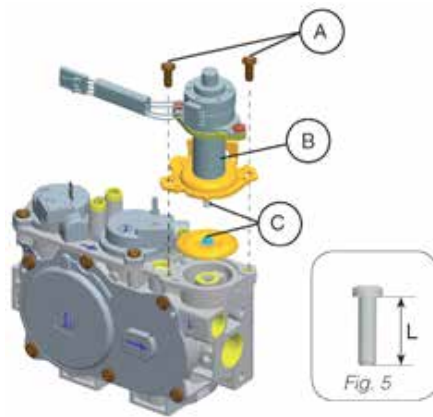
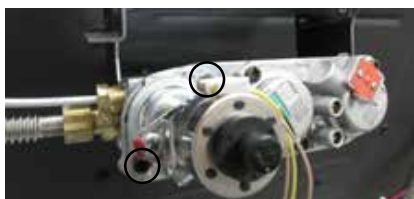


18. The IFC can now be slid out from under the firebox.

19. Disconnect the cable coming from the pressure regulator motor at the IFC board (marked X6 on the IFC).



20. Remove regulator from gas valve and discard 2 Pressure regulator screws A (T20 or slot), Pressure Regulator B, Spring and Diaphragm C. Ensure the rubber gasket, which is prefitted as part of the new regulator, is properly positioned. Install the new Pressure Regulator using the 2x M4 x .7 screws supplied. Tighten the screws to 25lb-in. In the event that the screw threads are cross threaded or stripped, replace the valve assembly. Also reconnect new cable from pressure regulator motor disconnected in step 19.



21. Reverse steps 18-13 to reinstall IFC board. Reinstall burner assembly.

22. Adjust aeration accordingly— see manual for details. Aeration must be set to 5/16" (8 mm) minimum for LP.

23. Attach the label "This unit has been converted to LPG" near or on top of the serial # decal.

24. Replace yellow "NG" label with red "LPG" label.

25. Check for gas leaks.

26. Check inlet and outlet pressures.

27. Check operation of flame control.

28. Reverse steps 4-1.

Installer Notice:

These instructions must remain with the appliance.

installation

Brick Panel Installation

Note: Do not install the firebed grate, media, vermiculite, embers, and logs until the brick panels are installed.

- Brick panels will discolor a little during normal operation. This is normal and should not be considered a defect.

1. Remove screen and glass door, if installed.
2. Loosen two screws in locations shown below. Slide upper baffle towards the back wall and then remove from unit.



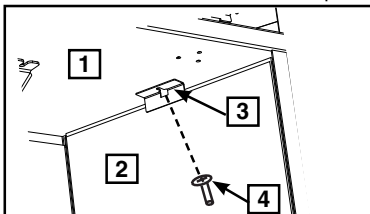
3. Loosen 2 screws on pilot assembly in locations shown below. Slide pilot shield towards the back of the unit and remove from unit.



4. Install back panel carefully. Tilt panel forward from the top and rest the bottom of the panel on the firebox floor. Tip top back until it also rests on the firebox back wall.



5. Loosen screws and remove brick clip.



Item	Part #	Description
1	N/A	Inside Top of Firebox
2	N/A	Panel
3	761-049	Brick Clip
4	904-519	Screw

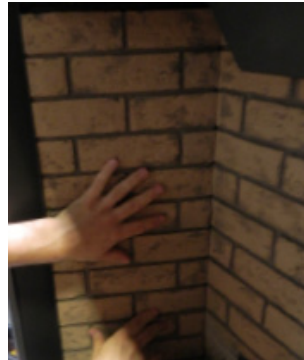
6. Install the right side panel—the angled corner should be located facing the bottom rear of the fireplace when installing.

NOTE: Shorter row of bricks should be positioned at the bottom of back and side panels.



7. With panel in position, secure it with the brick clip removed in step 5 and retighten screw.

8. Repeat Steps 5-7 on the left side.



9. Slide the bottom panel carefully underneath the burner and push to the back until it contacts the back panel.



10. Reinstall the upper baffle.

11. Reinstall the pilot shield removed in step 3.

Enamel/Steel Panel Installation (Steel Panels - Part # 761-907, Enamel Panels - Part # 761-908)

For Black Enamel Panels:

- Black enamel panels must be inspected for scratches and dimples prior to installation. All claims are to be recorded at this time. Claims for damage after installation will not receive consideration.
- Black enamel panels will discolor a little during normal operation. This is normal and should not be considered a defect.
- * All hand and fingerprints MUST be cleaned off with a soft cloth. Use an ammonia-based cleaner (ie. glass cleaner) to remove any fingerprints before applying heat to the unit.

Failure to do this will result in burn stains on panels which you will be unable to remove. Not protected by product warranty.

Note: Do not install the firebed grate, media, vermiculite, embers, and logs until the enamel/steel panels are installed.

1. Remove screen and glass door, if installed.
2. Loosen two screws in locations shown below. Slide upper baffle towards the back wall and then remove from unit.



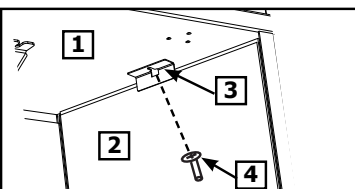
3. Loosen 2 screws on pilot assembly in locations shown below. Slide pilot shield towards the back of the unit and remove from unit.



4. Install back panel carefully. Tilt panel forward from the top and rest the bottom of the panel on the firebox floor. Tip top back until it also rests on the firebox back wall.



5. Loosen screws and remove brick clips.



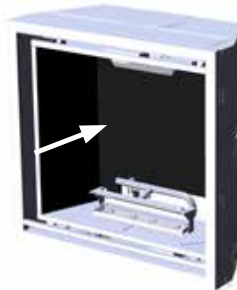
Item	Part #	Description
1	N/A	Inside Top of Firebox
2	N/A	Panel
3	761-049	Brick Clip
4	904-519	Screw

6. Install the right side panel—the angled corner should be located facing the bottom rear of the fireplace when installing.

NOTE: Shorter row of bricks should be positioned at the bottom of back and side panels.



7. With panel in position, secure it with the brick clip removed in Step 5 and retighten the screw.
8. Repeat Steps 5-7 on the left side.



9. Slide the bottom panel carefully underneath the burner and push to the back until it contacts the back panel.



10. Reinstall the upper baffle.
11. Reinstall the pilot shield removed in step 3.

installation

Log Set Installation

Read the instructions below carefully and refer to the diagrams. If logs are broken do not use the unit until they are replaced. Broken logs can interfere with the pilot operation.

The G800 log sets, #761-930 for Oak, #761-932 for Birch, contain the following pieces:

1	Rear Log	
2	Middle Left Log	
3	Middle Right Log	
4	Center Left Cross Log	
5	Front Bottom 'Y' Log	
6	Left Rear Log	
7	Right Cross Log	
8	Middle Front	
9	Left Log Piece	
10	Right Log Piece	
11	Left Front Log Piece	
12	Right Front Log Piece	
Must also purchase (#761-938) Log Grate and Ember package separately. The kit contains:		Log Grate
		3/4" Ginger glass
		Vermiculite
		Black/White Embers
		Log Support Plates

NOTE: Panels (brick, steel, or enamel) must be installed prior to installing the log set.

1. Carefully remove the logs from the box and unwrap them. The logs are fragile, handle with care - **do not force into position when installing.**



Diagram 1—Log ID

2. Install the log grate—secure with 2 screws in locations show below.



Diagram 2—Log Grate Install

3. Install the supplied crystals over the ember lights underneath the burner as shown. Place vermiculite and embers on top of the glass. Do not place any media on the burner.



Diagram 3—Install Glass



Diagram 4—Install Vermiculite + Lava

4. Install 2 log support plates onto the burner with 2 screws each as shown.



Diagram 5—Install Log support plates



Diagram 6—Log support plates installed

5. Place Log 1 onto the grate, behind the rear of the burner. Ensure the left cut out butts against the end of the burner tube and the right end of the log butts against the curve of the burner. Final position of the log should be pulled forward and to the right while contacting the end and curved parts of the burner.



Diagram 7—Log 1 installation

6. Install Log 2 on left log support plate. Line up the pins on the plate with the pin hole on the log.



Diagram 8—Install Log 2

7. Install Log 3 on right log support plate. Line up the pins on the plate with the pin hole on the log.



Diagram 9—Install Log 3

8. Install Log 4 diagonally across Log 2. Rest Log 4 in the notch out on Log 2 as shown.



Diagram 10—Install Log 4

installation

9. Install Log 5, one end will rest in the notch out on Log 3—the 'Y' end will rest on the 3rd prong from the right on the log grate.

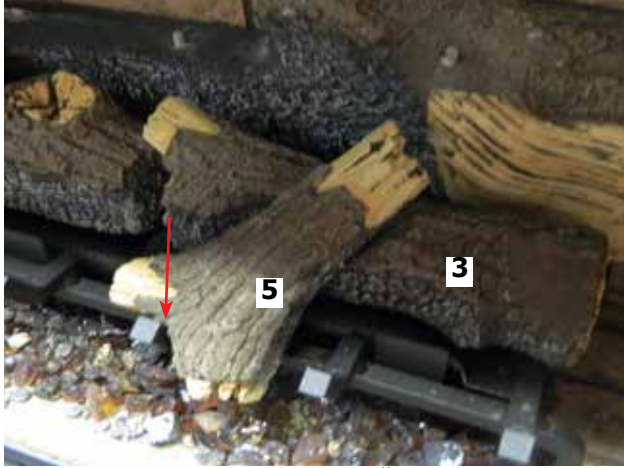


Diagram 11—Install Log 5

12. Install Log 8 at the front of the log grate. The cutouts in Log 8 should rest in the 4th + 5th prongs from the right of the log grate.



Diagram 14—Install Log 8

10. Install Log 6 on the left side of Log 1. Line up the pin on Log 1 with the pin hole on Log 6—the opposite end of Log 6 will rest in the notch in Log 4.



Diagram 12—Install Log 6

13. Install Log 9 to the right of Log 5. The cutout in Log 9 will rest in the 2nd prong from the right on the log grate.

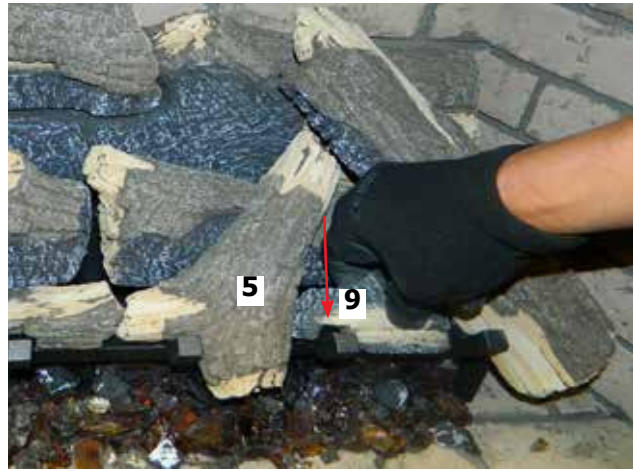


Diagram 15—Install Log 9

11. Install Log 7 on the right side as shown. The pin hole on the underside of Log 7 should land on the pin of Log 1. The bottom of Log 7 will rest on the log grate.



Diagram 13—Install Log 7

14. Install Log 10 as shown. The flat bottom will rest on the firebox floor and the opposite end will rest on the 3rd prong from the left.

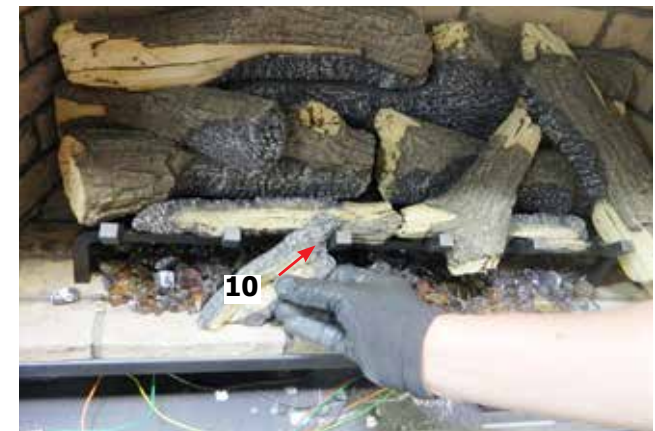


Diagram 16—Install Log 10

15. Install Log 11 to the left of the log grate on the firebox floor as shown.



Diagram 17—Install Log 11



Diagram 18—Install Log 12

16. Install Log 12 on the firebox floor—slide under Log 7 as shown.

17. Test fire to ensure proper light off (make sure flame flows smoothly).
If there is any flame hesitation, check that area for any blockage of the burner ports.

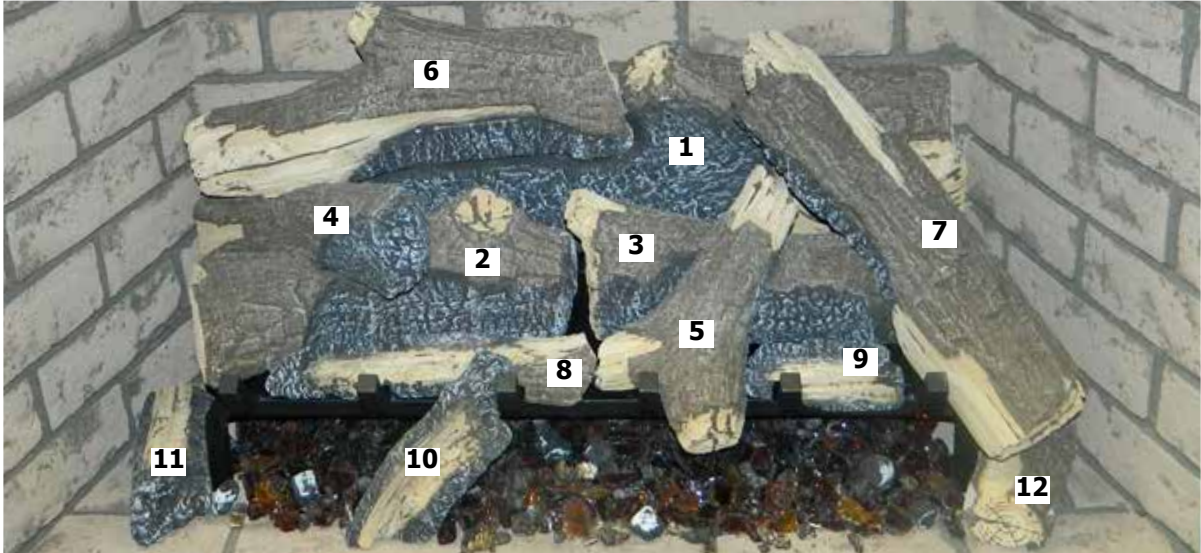


Diagram 19—Final Installation



installation

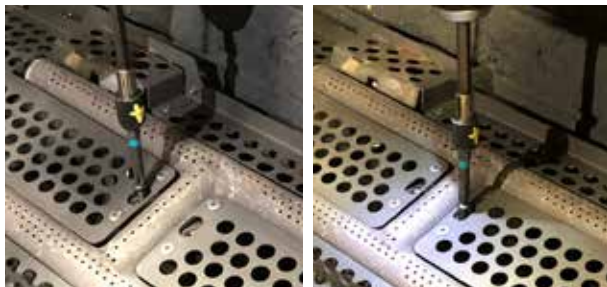
Crystal Tray Installation

Note: The optional brick, steel, or enamel panels must be installed prior to the crystal tray.

1. Place the crystal tray over the burner, as shown below.



2. Attach the crystal tray with two screws, one on the middle left and another on the middle right of the tray, as shown below.



3. Add 7 lbs of crystal media and spread it across the tray in one even layer. **Important: ensure that at least 50% of the gas burner porting remains uncovered. Do not cover the pilot area.**



4. If using volcanic stones as additional media, add a maximum of 13, as shown below. **Important: Volcanic stones should not cover any of the gas burner porting or pilot areas.**



5. To remove the crystal tray, reverse the steps above.

Driftwood Media Kit Installation (Part #761-931)

1. Place the media tray over the burner, as shown below.



2. Attach the media tray with two screws, one on the middle-left and one on the middle-right of the tray, as shown below.



3. Place Log #1 at the back of the firebox, centered as shown below. The bottom points of the log should touch the media tray, and the back of the log should touch the back firebox panel.



4. Add the three supplied stones to the tray in the locations shown. The stones must not cover the burner porting.



5. Add the supplied grey and black ember media (1.5 lbs total) and spread it across the tray and around the stones in an even layer.

- IMPORTANT:**
1. Ensure that at least 50% of the gas burner porting remains uncovered. Do not cover the pilot area or place any embers on the pilot cover.
 2. Ensure there is no ember media underneath the three stones - they must sit directly on the media tray.



installation

6. Place Log #2 on the left-hand side of the tray as shown. Ensure the left pin of Log #1 slots into the hole on the underside of Log #2.



7. Place Log #3 in the front-right area of the tray as shown.



8. Place Log #4 on the right-hand side of the tray as shown. Ensure the right pin of Log #1 slots into the hole on the underside of Log #4.



9. Place Log #5 in the front-left area of the tray as shown.

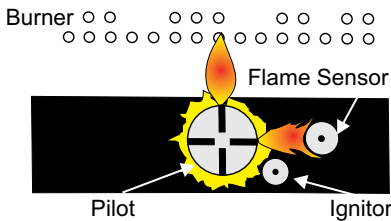


Important: Ensure no logs cover the gas burner porting area.

10. To remove the driftwood media kit and media tray, reverse the steps 1-9.

Pilot Adjustment

Periodically check the pilot flames. **Correct flame pattern has two strong blue flames: 1 flowing around the flame sensor and 1 flowing across the burner (it does not have to be touching the burner).**



Note: If you have an incorrect flame pattern, contact your Regency® dealer for further instructions.

Incorrect flame pattern will have small, probably yellow flames, not coming into proper contact with the rear burner or flame sensor.

High Elevation

This unit is approved in Canada for altitude to 4500 ft. (CSA-2.17). For Natural Gas installations above 4500 ft. follow current CSA B149.1.

NG System Data	
For 0 to 4500 feet altitude	
Burner Inlet Orifice Sizes: #42	
Max. Input Rating	27,000 Btu/h
Min. Input Rating	15,000 Btu/h
Supply Pressure	min. 5.0" w.c. max. 14.0" w.c.
Manifold Pressure (High)	3.8" w.c.
Manifold Pressure (Low)	1.1" w.c.

LP System Data	
For 0 to 4500 feet altitude	
Burner Inlet Orifice Sizes: #53	
Max. Input Rating	25,500 Btu/h
Min. Input Rating	21,000 Btu/h
Supply Pressure	min. 11.0" w.c. max. 14.0" w.c.
Manifold Pressure (High)	10" w.c.
Manifold Pressure (Low)	6.4" w.c.

Gas Pipe Pressure Testing

The appliance must be isolated from the gas supply piping system by closing its individual manual shut-off valve during any pressure testing of the gas supply piping system at test pressures equal to or less than 1/2 psig. (3.45 kPa). Disconnect piping from valve at pressures over 1/2 psig.

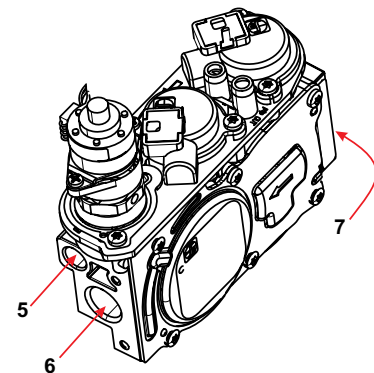
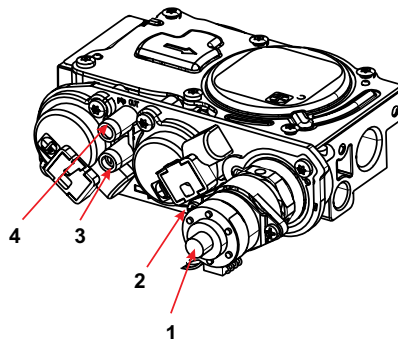
The manifold pressure is controlled by a regulator built into the gas control, and should be checked at the pressure test point.

Note: To properly check gas pressure, both inlet and manifold pressures should be checked using the valve pressure ports on the valve.

1. Make sure the valve is in the "OFF" position.
2. Loosen the "IN" and/or "OUT" pressure tap(s), turning counterclockwise with a 1/8" wide flat screwdriver.
3. Attach manometer to "IN" and/or "OUT" pressure tap(s) using a 5/16" ID hose.
4. Light the pilot and turn the valve to "ON" position.
5. The pressure check should be carried out with the unit burning and the setting should be within the limits specified on the safety label.
6. When finished reading manometer, turn off the gas valve, disconnect the hose and tighten the screw (clockwise) with a 1/8" flat screwdriver.
Note: Screw should be snug, but do not over tighten.

885 S.I.T. Valve Description

1. 6 Stage flame adjustment
2. Pilot adjustment
3. Inlet Pressure Tap
4. Outlet Pressure Tap
5. Pilot Outlet
6. Main Gas Outlet
7. Main Gas Inlet



installation

Wall Mount On/Off Switch and Battery Holder Installation Required for All installations

IMPORTANT INSTALLATION NOTE:

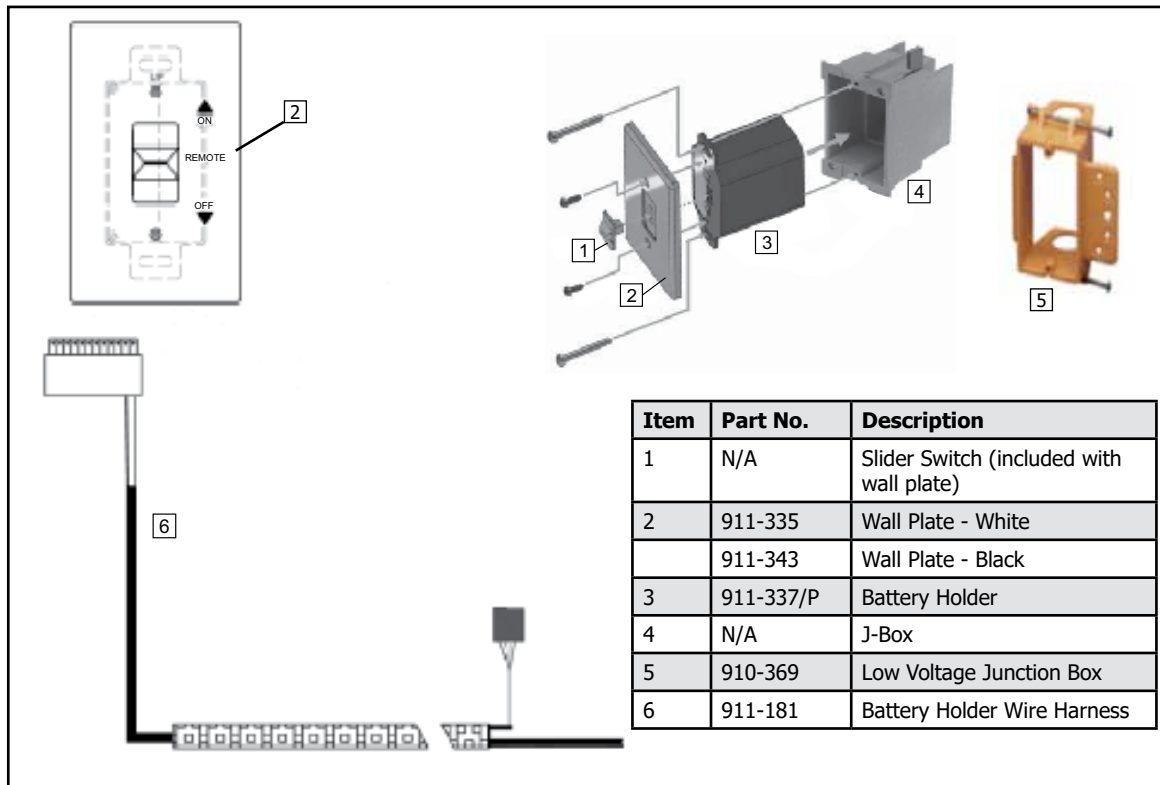
The Battery Holder must be placed inside the supplied (Low Voltage) junction type wall box and installed into the wall only.

DO NOT INSTALL WITHIN THE CONFINES OF THE FIREPLACE SWITCH MUST BE ACCESSIBLE

Battery Holder Installation

1. Install the low voltage junction box to the framing at the desired location, within 12 ft. from fireplace.
2. Feed the 6 pin connector wiring harness through the opening at the back of the junction box. The wiring harness is located near the gas valve and must be routed to the exterior of the fireplace from either the left or right side prior to finishing.
3. Connect the 6 pin connector to the back of the battery holder.
4. Install the battery holder in the low voltage junction box.
5. Install batteries only if 120 volt power will not be used. Batteries usually serve as a secondary power source. Insert the 4 AA type batteries in the battery compartment with the correct polarity.
6. Place the slider into the cover plate.
7. Put the battery holder switch in the "OFF" position, to allow correct lineup for slider switch.
8. Make sure the battery holder and cover plate words "ON" and "UP" are on the same side.
9. Align the slider with the switch on the battery holder and couple the switch into the slider.
10. Align the screw holes.
11. Using the two (2) screws provided secure the cover plate to the battery holder.
12. For coding instructions, see full details in this manual.

Proflame Battery Holder

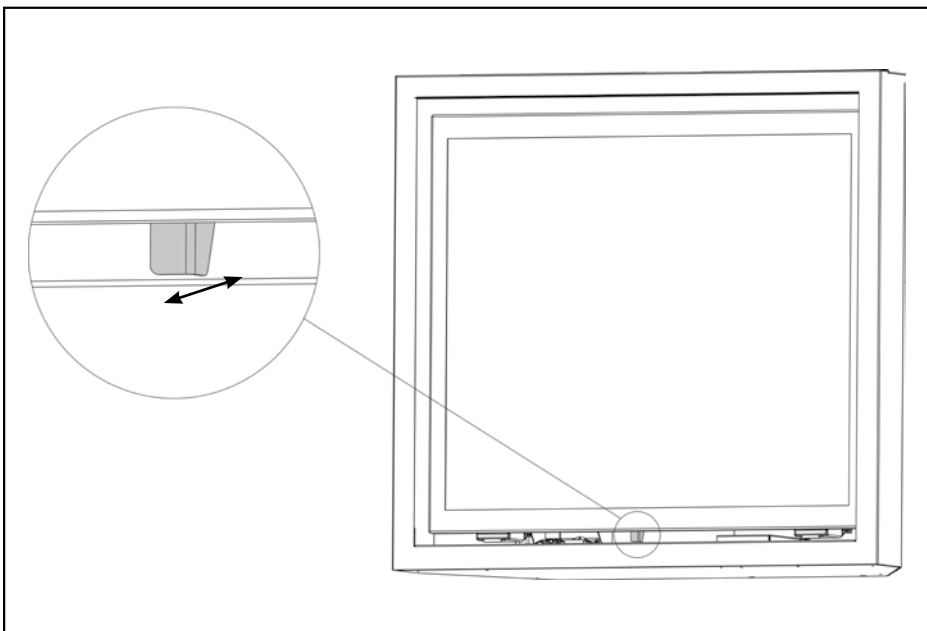


Aeration Adjustment

The burner aeration is factory set but may need adjusting due to either the local gas supply or altitude. Open the air shutter for a blue flame or close for a more yellow flame.

Note: Any damage due to carboning resulting from improperly setting the aeration controls is NOT covered under warranty.

Pull lever forward to open - push back to close.



Air shutter lever - located in the center of the unit under the firebox

Minimum Air Shutter Opening:

NG	1/4" (6mm)
LP	5/16" (8mm)

CAUTION: Carbon will be produced if air shutter is tightly closed.



Electrical Access and Installation



The electrical access panel is on the right side of the unit (when facing the front of unit).

1. Remove panel by removing three (3) screws.
2. Remove center knockout to run cable through the access panel and install supplied clamp.
3. Attach wires from cable to supplied white receptacle and secure to gang box. Screw the receptacle cover to gang box. Reinstall panel by securing three (3) screws removed in step 1.
4. The 120 volt power cord supplied with appliance will need to be plugged into the receptacle only once the install is complete.

installation

Wiring Diagram Without Thermostat

WARNING

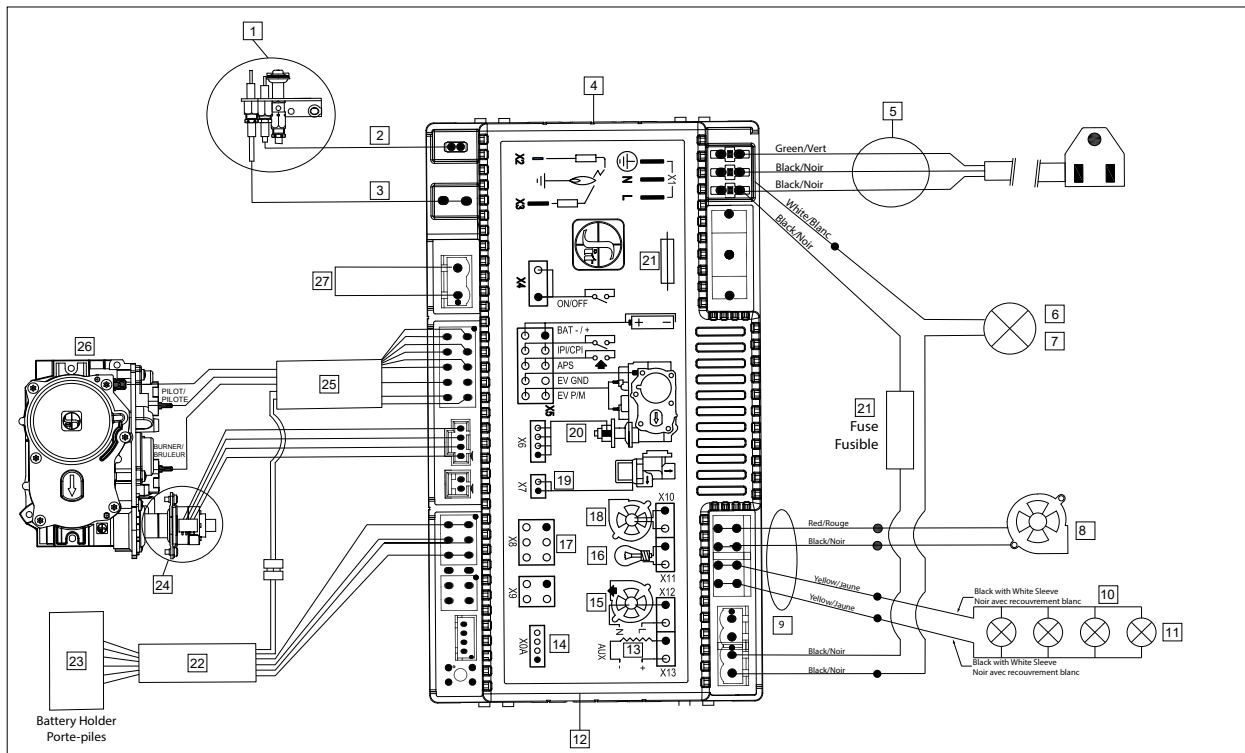
- This appliance is equipped with a three pronged (grounding) plug for your protection against shock hazard. Plug it into a properly grounded three-prong receptacle. Do not cut or remove the grounding prong.

CAUTIONS

- Label all wires prior to disconnection when servicing controls. Wiring errors can cause improper and dangerous operation. Verify proper operation after servicing.
- Ensure that the wires do not touch a hot surface and are away from sharp edges.
- Do not connect the millivolt wall thermostat wires.

NOTES

- Install AA batteries into the back-up battery compartment for this unit to operate when power is lost. See battery back-up instructions in this manual. The fan and lights will not operate on battery power.
- A wall thermostat may be installed if desired. Connect the wires as per the wiring diagrams. It is preferable to install it on an interior wall.
- Regency® offers an optional programmable thermostat but any 250-750 millivolt rated non-anticipator type thermostat that is CSA, ULC or UL approved may be used.



Item	Part No.	Description
1	911-276	Pilot Assembly NG
	911-277	Pilot Assembly LP
2	911-038	Spark Electrode
3	911-037	Flame Sensor Electrode
4	911-266/P	PFIIFC Board
5	911-333	Power Harness w/Aux Connector
6	911-295	Light Assembly Top
7	911-072	Halogen Light Bulb
8	911-290/P	Fan
9	911-177	Wire 4 pos IFC Fan/Light
10	911-312	Light Assembly Bottom

Item	Part #	Description
11	911-297	Halogen Bulb (Each)
12	911-210	External Antenna
13	N/A	Load
14	N/A	Diagnostic Interface
15	N/A	Combustion Blower
16	N/A	Lamp
17	N/A	User Interface
18	N/A	Comfort Fan
19	N/A	Split Flow
20	N/A	Motor
21	911-182	Fuse
22	911-181	Wire Harness Battery Box

Item	Part #	Description
23	911-337/P	Battery Holder
24	911-190	Stepper Motor-NG
25	911-011	Stepper Motor-LP
26	911-188	Valve-NG
	911-085	Valve-LP
27	911-193	Jumper Wire

Operation Using an Optional Wall Thermostat

This unit ships with a full function remote control as standard equipment. This allows for basic on/off function, as well as the ability to operate as a thermostat. With the addition of an optional wall cradle (820-477-AWT) available from an authorized dealer, the remote can reside on a wall and carry out all the functions of a typical millivolt wall thermostat as well as control the fan speed and flame height. This is the recommended procedure for operating the unit with a thermostatic set point. If a millivolt wall thermostat is required for bedroom installation or as a preferred method of controlling the stove, see noted option.

Wall thermostat and remote. Set the wall thermostat to the desired set point, then place the remote transmitter in either SMART or thermostatic mode with a set point 5 degrees above the set point on the wall thermostat. The burner will fire until the set point on the wall thermostat is satisfied. The remote will remain connected and allow full control of all accessories.

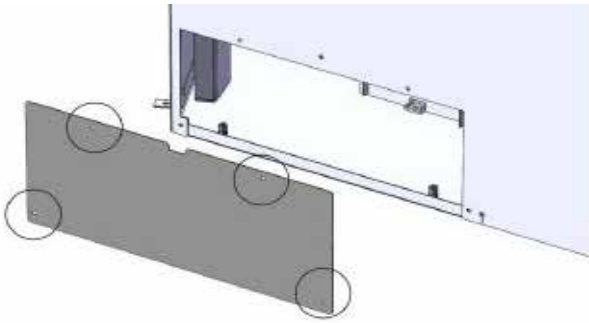
installation

Installing the Optional Fan Prior to Unit Installation Into Framing (Recommended - Part # 761-917)

Important: 120 Volt AC power is needed for the blower. The receptacle box will be installed on the right hand side of the unit and will need to be wired by a qualified electrician prior to fan assembly being installed. The neutral (wider) slot of the polarized receptacle should be at the top.

Unit must be grounded at all times. Do not cut the ground terminal off under any circumstances.

1. Shut the power off.
2. Remove the safety screen and glass door (see unit manual for details).
3. From the back of the unit - remove 4 screws from the fan access panel (locations shown below).



4. Connect red + black fan wires to corresponding red + black wires on the IFC box as shown



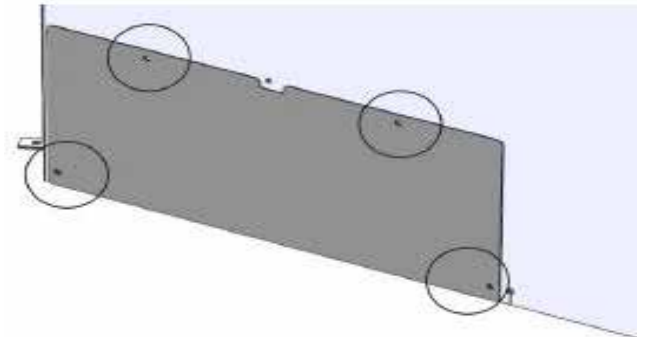
5. Connect fan ground cable to ground lug (located in lower right corner of unit). Refer to wiring diagram.



6. Install fan assembly onto pins on unit floor.



7. Secure fan access panel back onto the unit with 4 screws (locations shown below).



Fan Install After Unit Installation

1. The fan may be installed after the unit has been installed and finished. Ensure the unit is turned off and has cooled to room temperature.
2. Shut off the power and gas to the unit.
3. Remove the screen and glass door. (See sections: Safety screen removal / Installation & glass door removal / Installation)
4. Remove any media already installed (logs, glass, etc.) and set aside.
5. Remove the log grate.
6. Remove the burner.
7. Remove the firebox floor panel (brick or enamel).



Remove 8 screws from the firebox floor access panel as shown.
8. Remove the screen from the light assembly.



9. Lift out access panel with light assembly and set aside.



10. Loosen 2 screws off from the IFC box and set aside.
11. Connect the fan to the IFC and ground (follow Steps 4-6 from the previous page).



12. To reinstall reverse steps 10 to 2.

TO REMOVE THE FAN

1. Shut the power off.
2. Reverse the above instructions.

Note: The bearings are lubricated for life. Do not lubricate them. Make sure you vacuum the fan area on a regular basis.

IMPORTANT:

These fans collect a lot of dust from within your home. Ensure you maintain these fan motors on a regular basis by vacuuming out the fan blades and housing using a soft brush nozzle.

operating instructions

Operating Instructions

1. Read and understand these instructions before operating this appliance.
2. Check to see that all wiring is correct and enclosed to prevent possible shock.
3. Check to ensure there are no gas leaks.
4. Make sure the glass in the glass door frame is properly positioned. Never operate the appliance with the glass removed.
5. Verify that the venting and cap are unobstructed.
6. The unit should never be turned off, and on again without a minimum of a 60 second wait.

First Fire

The **FIRST FIRE** in your heater is part of the paint curing process. To ensure the paint is properly cured, it is recommended you burn your fireplace for at least four (4) hours the first time.

When first operated, the unit will release an odour caused by the curing of the paint and the burning off of any oils remaining from manufacturing. Smoke detectors in the house may go off at this time. Open a few windows to ventilate the room for a couple of hours. The glass may require cleaning.

NOTE: When the glass is cold and the appliance is lit, it may cause condensation and fog the glass. This condensation is normal and will disappear in a few minutes as the glass heats up.

DO NOT ATTEMPT TO CLEAN THE GLASS WHILE IT IS STILL *HOT!*

DO NOT BURN THE UNIT WITHOUT THE GLASS DOOR IN PLACE.

During the first few fires, a white film may develop on the glass front as part of the curing process. The glass should be cleaned after the unit has cooled down or the film will bake on and become very difficult to remove. Use a non-abrasive cleaner and DO NOT ATTEMPT TO CLEAN THE GLASS WHILE IT IS HOT.

Normal Operating Sounds of Gas Appliances

It is possible that you will hear some sounds from your gas appliance. This is perfectly normal due to the fact that there are various gauges and types of steel used within your appliance. Listed below are some examples. All are **normal operating sounds** and should not be considered as defects in your appliance.

Burner Tray:

The burner tray is positioned directly under the burner and is made of a different gauge material from the rest of the firebox and body. Therefore, the varying thicknesses of steel will expand and contract at slightly different rates which can cause "ticking" and "cracking" sounds. You should also be aware that as there are temperature changes within the unit these sounds will likely re-occur. Again, this is normal for steel fireboxes.

Pilot Flame:

While the pilot flame is on it can make a very slight "whisper" sound.

Gas Control Valve:

As the gas control valve turns ON and OFF, a dull clicking sound may be audible, this is normal operation of a gas regulator or valve.

Unit Body/Firebox:

Different types and thicknesses of steel will expand and contract at different rates resulting in some "cracking" and "ticking" sounds will be heard throughout the cycling process.

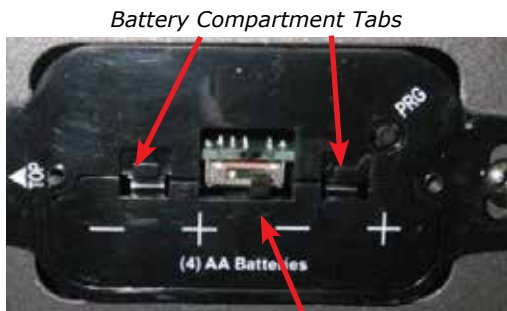
Battery Backup

To operate the stove during a power outage or when power is not available see the following steps.



2 Phillips Head Screws
Diagram 1

1. Remove 2 Phillips head screws to remove cover plate. Place screws to the side. Cover plate may not be exactly as shown. See Diagram 1.



Battery Compartment Door
Diagram 2

2. Press down on both tabs to remove battery compartment door. See diagrams 2 and 3.



Battery Door Removed
Diagram 3



Diagram 4

3. Install 4 AA batteries ensuring the polarity is correct. See Diagram 4.
4. Reverse steps 3-1.

Copy of Lighting Plate Instructions

FOR YOUR SAFETY READ BEFORE LIGHTING POUR VOTRE SÉCURITÉ – À LIRE AVANT LA MISE EN MARCHÉ

WARNING: If you do not follow these instructions exactly, a fire or explosion may result causing property damage, personal injury or loss of life. Improper installation, adjustment, alteration, service or maintenance can cause injury or property damage. Refer to the owner's information manual provided with this appliance. For assistance or additional information consult a qualified installer, service agency or gas supplier.

AVERTISSEMENT : Quiconque ne respecte pas scrupuleusement les instructions de la présente notice risque de déclencher un incendie ou une explosion pouvant entraîner des dégâts matériels ou des blessures pouvant être mortelles. Tout défaut d'installation, de réglage, de modification, de service ou d'entretien peut entraîner des blessures ou des dommages matériels. Reportez-vous au manuel d'utilisation fourni avec cet équipement. Pour obtenir de l'aide ou des informations complémentaires, consulter un installateur ou un service d'entretien qualifié, ou le fournisseur de gaz.

- A) This appliance is equipped with an ignition device which automatically lights the pilot.
Do not try to light the pilot by hand.
- B) **BEFORE OPERATING** smell all around the appliance area for gas. Be sure to smell next to the floor because some gas is heavier than air and will settle on the floor.
WHAT TO DO IF YOU SMELL GAS
- Do not try to light any appliance.
 - Do not touch any electric switch, do not use any phone in your building.
 - Leave the building immediately.
 - Immediately call your gas supplier from a neighbours phone. Follow the gas supplier's instructions.
 - If you cannot reach your gas supplier, call the fire department.
- C) Do not use this appliance if any part has been under water. Immediately call a qualified service technician to inspect the appliance and to replace any part of the control system and any gas control which has been underwater.
- A) Cet appareil est muni d'un dispositif d'allumage qui allume automatiquement la veilleuse.
Ne tentez pas d'allumer la veilleuse manuellement.
- B) **AVANT LA MISE EN MARCHÉ**, reniflez tout autour de l'appareil pour déceler une odeur de gaz. Reniflez au niveau du plancher, car certains gaz sont plus lourds que l'air et peuvent s'accumuler au niveau du sol.
- QUE FAIRE SI VOUS SENTEZ UNE ODEUR DE GAZ :**
- Ne tentez pas d'allumer l'appareil.
 - Ne touchez à aucun interrupteur; n'utilisez pas le téléphone se trouvant dans le bâtiment.
 - Quittez immédiatement le bâtiment.
 - Appelez immédiatement votre fournisseur de gaz depuis un téléphone extérieur. Suivez les instructions du fournisseur.
 - Si vous ne pouvez pas rejoindre le fournisseur, appelez le service incendie.
- C) N'utilisez pas cet appareil s'il a été plongé dans l'eau, même partiellement. Faites inspecter l'appareil par un technicien qualifié et remplacez tout élément du système de contrôle ou de commande qui a été plongé dans l'eau.

CAUTION: Hot while in operation. Do not touch. Severe burns may result. Due to high surface temperatures keep children, clothing and furniture, gasoline and other liquids having flammable vapors away. Keep burner and control compartment clean. See installation and operating instructions accompanying appliance.

ATTENTION : Surfaces chaudes lorsque l'appareil est en marche. Ne pas toucher. Risque de brûlures graves. En raison des températures élevées, les enfants, les vêtements et le mobilier, le carburant et tout autre liquide aux vapeurs inflammables doivent être tenus éloignés de l'appareil. Nettoyer régulièrement le brûleur et le compartiment des commandes. Voir les consignes d'installation et d'utilisation fournies avec l'appareil.

OPERATING INSTRUCTIONS / CONSIGNES DE FONCTIONNEMENT

- 1) **STOP! Read the safety information above on this label.**
 - 2) Ensure the Main switch is in the ON position and/or the wall mounted battery holder (if equipped) is in the <REMOTE> position.
 - 3) Press and release the ON/OFF button on the remote handheld transmitter. An audible beep should be heard from the receiver. If not using the remote, the unit can also be turned on by sliding the battery holder switch to the <ON> position (if equipped).
 - 4) After approximately 4 seconds the spark ignition system will spark for 60 seconds to light the main burner.
 - 5) The unit will turn on.
- Note:** The first attempt to ignition will last approximately 60 seconds. If there is no flame ignition (rectification) the board will stop sparking for approximately 35 seconds. After this wait time, the board will start a second try for ignition by sparking for approximately 60 seconds. If there is still no positive ignition after the second attempt the board will go into lock out.
The system will need to be reset as follows (after going into lock out mode):
- a) Wait 5 minutes - turn the system off by pressing the ON/OFF button on the remote.
 - b) After approximately 2 seconds press the ON/OFF button again.
 - c) Unit will repeat step 2.
- 6) If the appliance will not operate, follow the instructions, "To Turn Off Gas to Appliance" and call your service technician or gas supplier. This appliance is equipped with an on-demand pilot that shuts off after seven days.
- 1) **STOP! Lisez les instructions de sécurité sur la portion supérieure de cette étiquette.**
 - 2) S'assurer que le commutateur principal est en position ON et/ou que le bloc-piles mural (le cas échéant) est en position <REMOTE>.
 - 3) Appuyer sur la touche ON/OFF de la télécommande puis relâcher. Un bip sonore retentira depuis le récepteur. Si vous n'utilisez pas la télécommande, l'appareil peut également être allumé en faisant glisser le commutateur du bloc-piles sur la position <ON> (le cas échéant).
 - 4) Après environ 4 secondes, le système d'allumage produira une étincelle pendant 60 secondes pour allumer le brûleur principal.
 - 5) L'appareil s'allumera.
- Remarque :** Au premier allumage, le système tente d'allumer les flammes pendant 60 secondes. Si l'essai est infructueux, le système fera une pause de 35 secondes. C'est ce qu'on appelle l'étape de rectification. Ce délai écoulé, le système tente à nouveau d'allumer les flammes en produisant des étincelles pendant 60 secondes. Si les flammes ne s'allument toujours pas, le système se met en mode verrouillage.
Il faut alors le réinitialiser en suivant les étapes ci-dessous (pour le déverrouiller) :
- a) Attendre 5 minutes et éteindre l'appareil en appuyant sur la touche ON/OFF de la télécommande.
 - b) Attendre 2 secondes et appuyer encore une fois sur la touche ON/OFF.
 - c) L'appareil répètera l'étape 2.
- 6) Si l'appareil ne fonctionne pas, suivez les instructions "Pour couper le gaz au niveau de l'appareil" et appelez un technicien qualifié ou votre fournisseur de gaz.
Cet appareil est équipé d'une veilleuse sur demande qui s'éteint après sept jours.

TO TURN OFF GAS TO APPLIANCE / POUR COUPER LE GAZ AU NIVEAU DE L'APPAREIL

- 1) Press the ON/OFF button on the remote or slide the wall mount switch to the "OFF" position.
- 2) If service is to be performed-you must disconnect power and shut off gas to the unit.
- 1) Appuyer sur la touche ON/OFF de la télécommande ou faites glisser l'interrupteur mural sur la position "OFF".
- 2) Lors de l'entretien de l'appareil, vous devez débrancher l'alimentation électrique et couper le gaz alimentant l'appareil.

DO NOT REMOVE THIS INSTRUCTION PLATE

NE PAS ENLEVER CETTE ÉTIQUETTE D'INSTRUCTIONS

919-649b

Maintenance Instructions

1. Always turn off the gas valve before cleaning. For relighting, refer to lighting instructions. Keep the burner and control compartment clean by brushing and vacuuming at least once a year. When cleaning the logs, use a soft clean paint brush as the logs are fragile and easily damaged.
2. Clean appliance and door with a damp cloth (never when unit is hot). Never use an abrasive cleaner. The glass should be cleaned with a gas fireplace glass cleaner. The glass should be cleaned when it starts looking cloudy.
3. The heater is finished in a heat resistant paint and should only be refinished with heat resistant paint. Regency® uses StoveBright Paint - Metallic Black #6309.
4. Make a periodic check of burner for proper position and condition. Visually check the flame of the burner periodically, making sure the flames are steady; not lifting or floating. If there is a problem, call a qualified service person.
5. The appliance and venting system must be inspected before use, and at least annually, by a qualified field service person, to ensure that the flow of combustion and ventilation air is not obstructed.

Note: Never operate the appliance without the glass properly secured in place.

6. Do not use this appliance if any part has been under water. Immediately call a qualified service technician to inspect the appliance and to replace any part of the control system and any gas control which has been under water.
7. In the event this appliance has been serviced check that the vent-air system has been properly resealed & reinstalled in accordance with the manufacturer's instructions.
8. Verify operation after servicing.

General Vent Maintenance

Conduct an inspection of the venting system semi-annually. Recommended areas to inspect as follows:

1. Check the Venting System for corrosion in areas that are exposed to the elements. These will appear as rust spots or streaks, and in extreme cases, holes. These components should be replaced immediately.

2. Remove the Cap, and shine a flashlight down the Vent. Remove any bird nests, or other foreign material.
3. Check for evidences of excessive condensation, such as water droplets forming in the inner liner, and subsequently dripping out the joints. Continuous condensation can cause corrosion of caps, pipe, and fittings. It may be caused by having excessive lateral runs, too many elbows, and exterior portions of the system being exposed to cold weather.
4. Inspect joints, to verify that no pipe sections or fittings have been disturbed, and consequently loosened. Also check mechanical supports such as Wall Straps, or plumbers' tape for rigidity.

Log Replacement

The unit should never be used with broken logs. Turn off the gas valve and allow the unit to cool before opening door and carefully remove the logs. (The pilot light generates enough heat to burn someone.) If for any reason a log should need replacement, you must use the proper replacement log. The position of these logs must be as shown in the Diagrams under Log Installation.

Note: Improper positioning of logs may create carbon build-up and will severely alter the unit's performance which is not covered under warranty.

Glass Gasket

If the glass gasket requires replacement use a tadpole glass gasket (Part #846-695).

Door Glass

Your Regency® fireplace is supplied with high temperature 5mm-Ceramic glass. If your glass requires cleaning, we recommend using an approved glass cleaner available at all authorized dealers. Do not use abrasive materials.

CAUTION & WARNINGS:

- * Do not clean when the glass is hot.
- * The use of substitute glass will void all product warranties.
- * Care must be taken to avoid breakage of the glass.
- * Do not strike or abuse the glass.
- * Do not operate this fireplace without the glass front or with a cracked or broken glass front.
- * Wear gloves when removing damaged or broken glass.
- * Replacement of the glass panels should be done by a licensed or qualified service person.

Glass Replacement

In the event that you break your glass by impact, purchase your replacement from an authorized Regency dealer only. Replacement glass (Part #940-506/P) is shipped already installed into the door frame. Reinstall as per Glass Door Installation in the "Glass Door Removal" section.

maintenance

Light Bulb Replacement - Bottom Lights

1. Remove screen, glass door, logs and any other media, log grate, and lower panel (if installed).
2. Remove two (2) screws from light assembly cover in the locations shown below.



3. Lift up and slide light assembly cover forward to remove.



4. Install or replace bulbs as required.

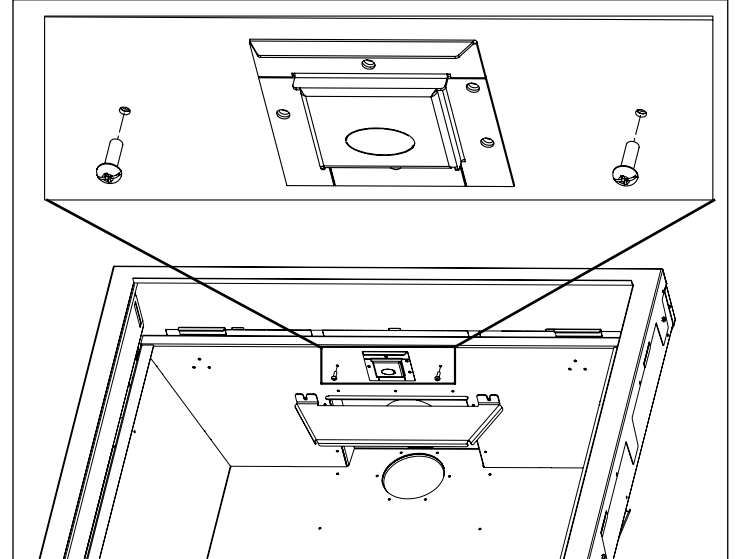
NOTE: Do not touch bulbs with bare hands, use gloves or a tissue when handling bulbs. Part # of each bottom bulb is 911-297. There are 4 per unit.



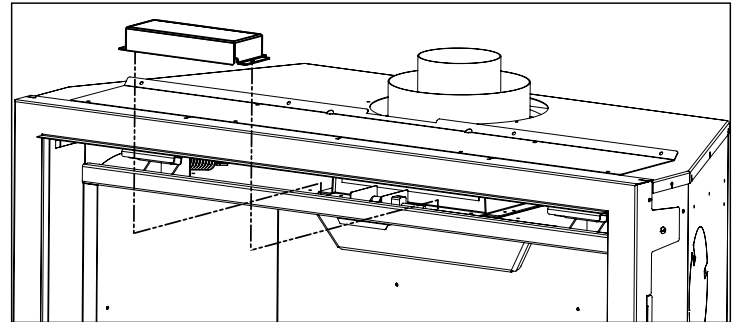
5. Reverse steps to reassemble unit.

Light Bulb Replacement - Top Light

1. Turn off fireplace and wait until it has reached room temperature.
2. Remove the Screen Barrier. See Section: Safety screen removal / Installation.
3. Remove the glass door: See Section: Glass door removal / Installation.
4. Remove the two screws with a Phillips-head screwdriver as shown below.

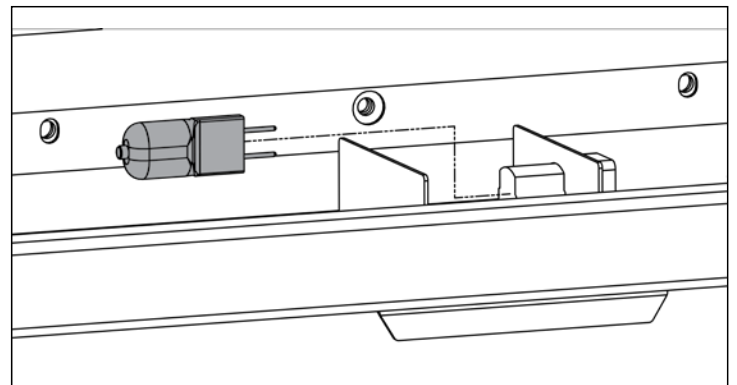


5. Remove the Top Light Casing by lifting up and out.



6. Remove the old light bulb by pulling out of the socket.

7. Install the new bulb using self, clean, gloves. Do NOT touch the bulb with your bare hands. Part # of the top bulb is 911-072.



8. Reverse steps to re-install. NOTE: Be careful not to pinch the wiring when re-installing the Top Light Casing. There is a cut-out for the wiring to route through.

Valve Replacement

Removing Valve

1. **Shut off the gas and electrical supply.**
2. Remove the safety screen.
3. Remove the glass door.
4. Remove the logs and glass.
5. Remove the log grate assembly by removing 2 screws and sliding tray forward to remove.



Diagram 1: Remove the left and right screws.

6. Remove bottom (brick or enamel) panel.
7. Remove 3 screws in locations shown below. Slide the burner assembly to the right to release it from the orifice, then lift it out.



Diagram 2: Slide burner assembly to the right—then remove.

8. Remove 2 screws securing the light assembly (Diagram 3) and rotate the assembly counter-clockwise (Diagram 4).

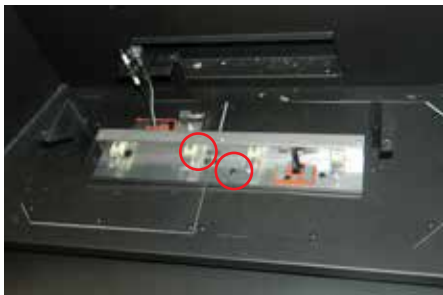


Diagram 3



Diagram 4

9. Disconnect the inlet gas line.
10. Disconnect the EV1, EV2, and ground wires from the valve - as shown below.

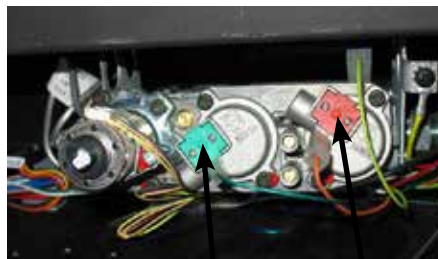


Diagram 5

EV1

EV2

10. Remove the 8 screws securing the valve tray assembly in place (Diagram 6) and then lift out entire assembly.

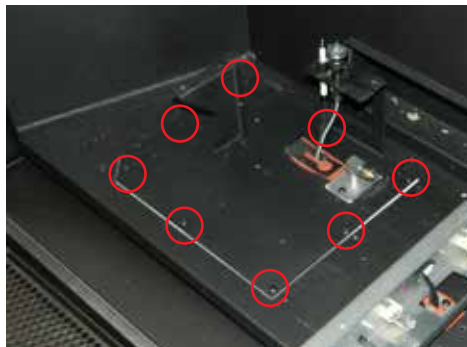


Diagram 6

Installing Valve

1. Place new valve tray into position
2. Reinstall the 8 hold down screws.
3. Hook up the EV1 and EV2 wires to the appropriate connections on the valve.
4. Install the burner assembly
5. Hook up the gas line and check for gas leaks with a soap and water solution or a gas leak detector. (Do not use open flame for leak testing.)
6. Fire up the unit temporarily
7. Check the manifold pressure.
8. Reinstall the inner panels, log grate, logs, and media as needed.
9. Reinstall the door and screen door.
10. Fire up the unit again and check for proper flame appearance and glow on logs.

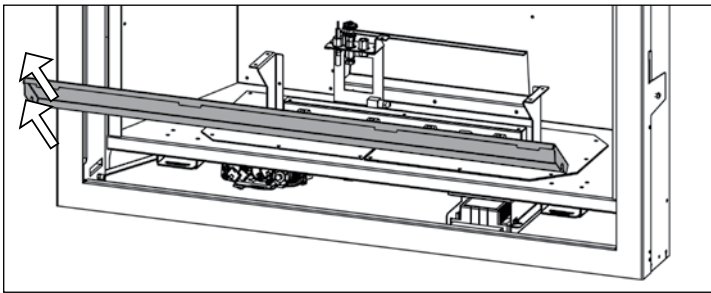
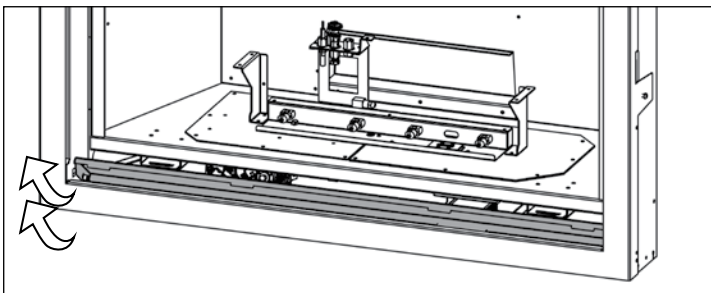
maintenance

IFC Replacement

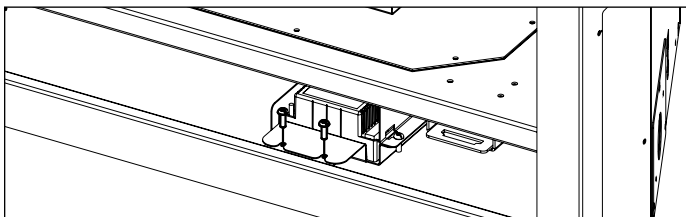
IMPORTANT : Ensure 3 prong cord is disconnected from receptacle located on lower right hand side of appliance prior to servicing IFC.

Label all wires prior to disconnection when servicing controls. Wiring errors can cause improper and dangerous operation. Verify proper operation after servicing.

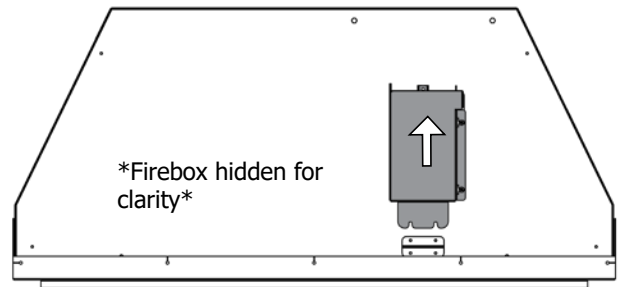
1. Do not begin until the unit has fully cooled down.
2. Remove the Screen Barrier. See Section: Safety screen removal / Installation.
3. Remove the glass door: See Section: glass door removal / Installation.
4. Remove the Bottom Cover Panel by rotating up and lifting out.



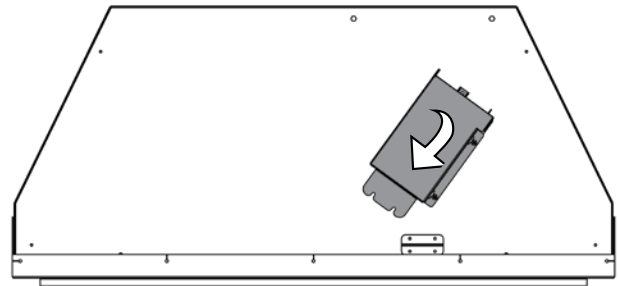
5. Loosen the two Phillips-head screws as shown. They do not need to be removed.



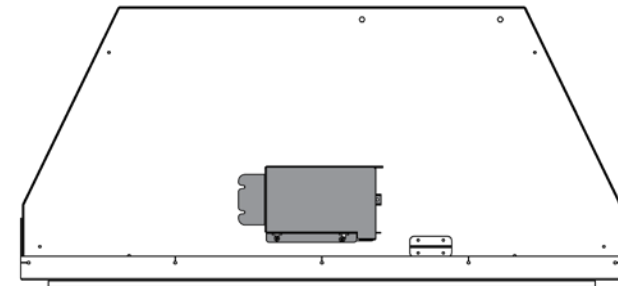
6. Push the IFC Box back.



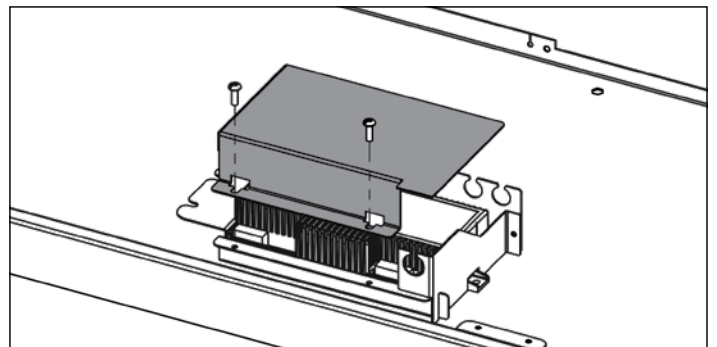
7. Rotate the front of the IFC Box to the left.



8. Pull the IFC Box to the front of the unit with the two screws showing.



9. Remove the two screws that secure the Cover Plate to the IFC Mount. Then remove the Cover Plate.



10. The IFC can now be slid out from under the firebox.

11. Reverse steps to reinstall.

Gas Maintenance - Recommended Annual Routine

In order for your Regency appliance to continue to provide comfort to your home periodic maintenance must be performed to ensure it is operating at peak efficiency. The items in the list should be checked by a licensed gas service technician during the annual service check. Your unit may require more frequent maintenance checks if you notice any changes in how it operates. Operational changes to look for can include, but are not limited to, extended start up time, increased fan noise, residue/carbon build up, white build up on the glass/firebox, increased operating noise etc. Should any of these or other conditions arise, discontinue use and schedule a service check with your local licensed gas technician. The list below shows items your licensed service technician will need to check and service at least annually.

Clean

- Glass
- Interior bricks / panels
- Burner ports & burner air shutter
- Fan blades
- Log set
- Pilot orifices
- Pilot hood (change as needed)
- Flame sensor (electronic ignition models)
- Flame electrode
- Burner orifice
- Thermocouple (millivolt models)
- Thermopile (millivolt models)

Inspect

- Pilot assembly
- Burner
- Pressure relief gaskets/doors
- Flue connector gasket if present
- Door seal
- Firebox
- Venting
- Batteries (remote handheld, remote receiver, DC sparker, change as needed)
- Burner media (change as needed)
- Air shutter setting
- Wiring

Check

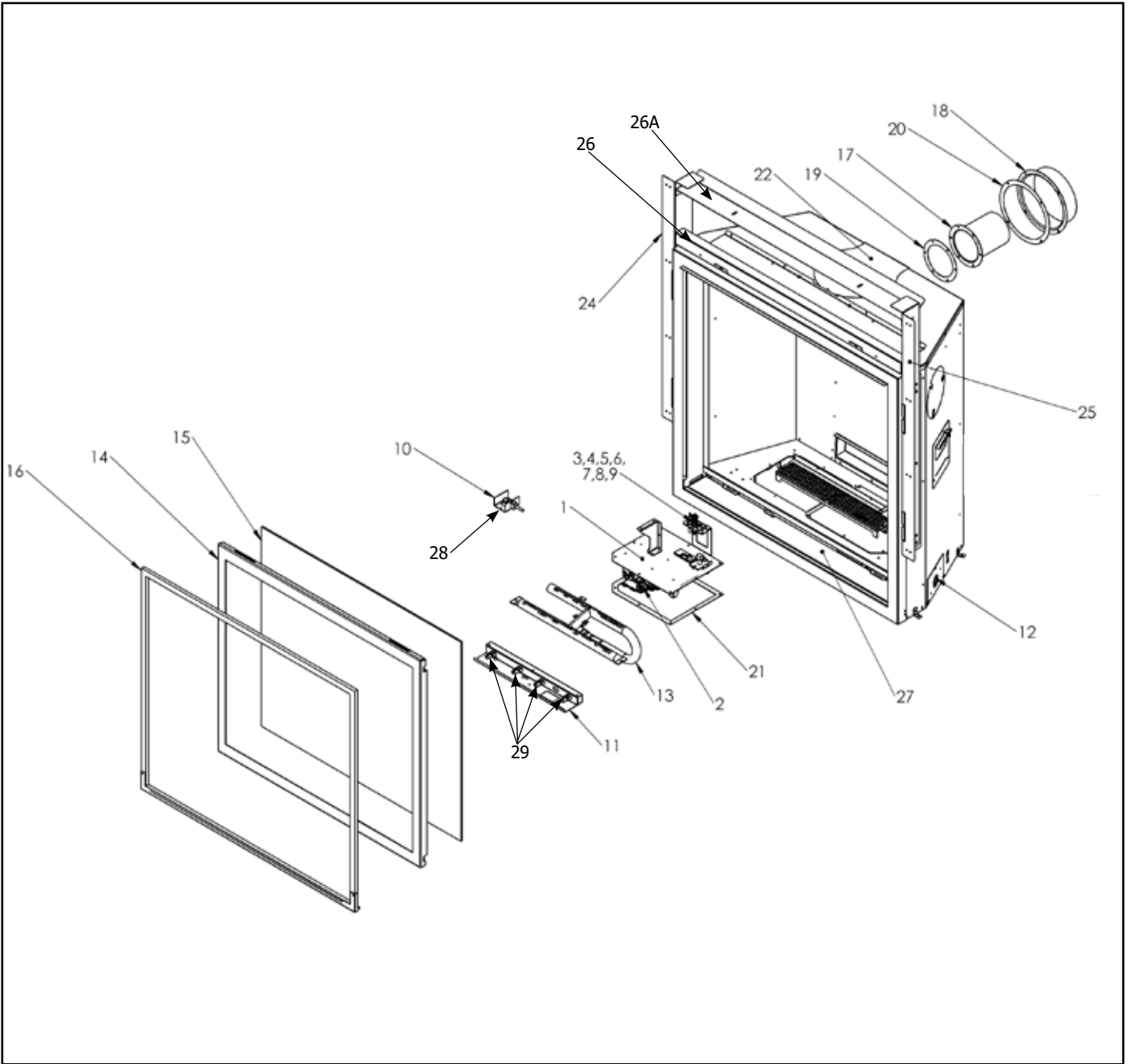
- Voltage on thermocouple/thermopile (millivolt models)
- Ohms reading on flame sense (electronic ignition models)
- Inlet/outlet fuel pressures as per rating plate
- Voltage/ohms readings on gas valve
- Ohms reading to on/off switch circuit (Millivolt models)

Gas Leak Tests

- Check main gas line connection to valve
- Check shut off valve connections
- Check connection at gas valve outlet
- Check connection at main burner orifice
- Check pilot fuel line at valve and at pilot assembly

parts list

Main Assembly



Main Assembly

	Part	Description
1	761-574/P	Valve Assembly - NG
1	761-576/P	Valve Assembly - LP
2	911-188	Valve NG 885 SIT IPI 0.885.009
2	911-189	Valve LP 885 SIT IPI
3	911-276	Pilot Assembly IPI NG 2 Flame
3	911-277	Pilot Assembly IPI LP 2 Flame
3	910-036	Orifice SIT Pilot - NG #51 977.165
3	910-037	Orifice SIT Pilot - LP #30 977.167
4	911-190	Stepper Motor/Modulator - NG 0.907.023
4	911-011	Stepper Motor/Modulator - LP 0.907.012
N/S	904-996	Burner Orifice #42 - NG (PO512)
N/S	904-947	Burner Orifice #53 - LP (PO512)
5	911-037	Flame Sensor 0.915.905
6	911-038	Flame Electrode 0.915.020
7	910-432	NovaSit Pilot Tubing With Nuts
8	911-039	Two Way Pilot Hood
9	911-137	Pilot Hood Clip
N/S	908-528	Label Propane Red
N/S	908-529	Label Natural Gas Yellow
N/S	904-529	Allen Key 5/32 Long
N/S	904-165	Fitting 3/8 Male Flarex Mpt Strt Adaptor
N/S	905-038	Bracket Dormont Orifice Mnt 10-BZ001-9
N/S	656-039	Gasket Orifice Mount CB/CV40E
N/S	905-037	Gas Line SS Steel 3/8" ODX 12 inch
N/S	911-173	Wire Harness IFC No CPI Switch 584.924
N/S	911-177	Wire 4 Pos IFC Fan & Light
N/S	911-181	Wire Harness Battery Box Proflame II
N/S	911-193	Connector W/Jumper
N/S	911-266/P	IFC Board SIT ProFlame II 0.584.625
N/S	911-210	External Antenna
N/S	911-292	Remote Control GTMFLSA SIT 0.584.040
N/S	911-333	Power Harness With Aux Connector
10	911-295	Light Assembly Top(Housing/Wires Assy/Bulb Socket/Light Bulb)
11	911-296	Light Assembly Bottom (Housing/Wires Assy/ Bulb Socket/Light Bulb)
N/S	910-429	Receptacle Box Duplex Metal
12	761-053F	Electrical Box Mounting Plate
N/S	910-369	Receptacle Box Low Volt. SC100A
N/S	911-335	Cover Wall Mount White 0.584.813
N/S	911-343	Cover Wall Mount Black 0.584.812
N/S	910-428	Receptacle Duplex White
N/S	910-430	Receptacle Cover Duplex Metal
N/S	904-687	Connector Clamp 3/8 CI-804
N/S	911-337/P	Remote Receiver/Battery Holder 584.103
N/S	918-835	Decal Logo Regency / Flame Sit Remote

N/S	918-876	Decal Remote Quick Reference GTMF
N/S	948-099	Spring Compression 3 inch Long Zinc Plated LC 085J 10 M
N/S	396-179	Gasket Bulk Hd (Side Firebox Pilot Line)
N/S	396-178F	Plate Bulk Head Clamp
13	761-535	Burner Assembly NG/LP c/w Cap G800
14	761-040	Door Frame Only
15	940-506/P	Replacement Glass (Includes Gasket) (Size : 27 1/2" H x 31 7/8" W)
16	761-038/P	Mesh Glass Guard
N/S	846-695	1 1/2" Alum F.Core Tadpole Glass Gasket Tape (11') (936-157)
N/S	846-696	Gasket Tape 2" Wide Graphite (8') (936-220)
N/S	904-691	Clip-U
N/S	366-049	Neoceramic Glass (Lights) Size : 1 5/8" x 1 1/4")
N/S	761-505	Bottom Door Latch Assembly (Each)
N/S	761-506	Top Door Latch Assembly (Each)
N/S	761-121	Grate Assembly
N/S	761-514	Log Support Brackets (Set of 2)
N/S	946-782	Fireglass Ginger 3/4" in. 5Lb Pkg
N/S	902-059	Vermiculite 1/2 Cup Black Sea
N/S	902-060	Ember Black/White 10 Pcs
N/S	761-073F	Plate Log Support Left G800
N/S	761-074F	Plate Log Support Right G800
N/S	761-054	IFC Housing Base
N/S	761-055	IFC Housing Top
N/S	761-056	IFC Housing End Piece
N/S	761-022	IFC Mounting Bracket
N/S	761-010	Cool Wall Metal Insert
N/S	761-011	Cool Wall Metal Cover/Deflector
N/S	761-013	Top Inner Baffle
N/S	761-023	Exhaust Cover Plate
N/S	761-024F	Air Intake Cover
N/S	761-025	Air Chamber Insulation Blanket
N/S	761-028	Cool Wall Top Front Insulation
N/S	761-048F	Fan Access Tray/Cover
N/S	761-049	Brick/Enamel Panel Clip (Each)
N/S	761-051	Light Cover Tray Bottom
N/S	761-052F	Plate Bottom Light Cover Back Piece
N/S	761-058	Light Casing Top
N/S	761-059	Top Light Glass Retainer
N/S	761-060F	Restrictor Plate

parts list

	Part	Description
17	761-103	Exhaust Flue Collar
18	761-104	Intake Flue Collar
19	761-105	Gasket Exhaust
20	761-106	Gasket Intake
N/S	761-107	Gasket Exhaust Cover Plate
N/S	761-108	Gasket Intake Cover Plate
21	761-109	Gasket Valve Tray
22	761-026	Outerbox Collar Perimeter Trim
24	761-061	Nailing Standoff Flange L/H
25	761-062	Nailing Standoff Flange R/H
26	761-063	Deflector Header
26A	761-064	Nailing Flange Top
27	761-050	Front Cover Access Panel
28	911-297	Hallogen Bulb G9/120V/18W (Bottom Bulb)
29	911-072	Hallogen Bulb G9/120V/25W (Top Bulb)
N/S	761-110	Gasket Fan Access Tray
N/S	761-122	Gasket Light Wire
N/S	761-123	Board Calcium Silicate 36"X 11-1/2"
N/S	761-129	Gasket Top Light G800
N/S	761-088	Insulation Rear Enamel/Steel Panel
N/S	911-290/P	Fan motor Only

Optional Accessories

	Part	Description
N/S	761-901	Brick Panel Standard Brown
N/S	761-903	Brick Panel Herringbone Brown
N/S	761-904	Brick Panel Castle Stone Grey
N/S	761-905	Brick Panel Standard Volcanic Black
N/S	761-907	Inner Panel Black
N/S	761-908	Inner Panel Black Enamel
N/S	761-917	Fan Kit
N/S	761-922	Faceplate Vignette Brush Nickel
N/S	761-924	Faceplate Vignette Metallic Black
N/S	761-928	Trim Finishing Black 3-Sided
N/S	761-929	Trim Finishing Clean Front Black 3-Sided
N/S	761-930	Log Set G800 Grandview Oak Packaged
N/S	761-938	Log Grate & Ember Package
N/S	761-941	Chase Vent White
N/S	761-969	Conversion - LP
N/S	946-556	Heat Wave Duct Kit

Indoor Gas Product Warranty

Limited Lifetime Warranty

FPI Fireplace Products International Ltd. (for Canadian customers) and Fireplace Products US, Inc. (for US customers) (collectively referred to herein as “FPI”) extends this Limited Lifetime Warranty to the original purchaser of this Appliance provided the product remains in the original place of installation. The items covered by this Limited Lifetime Warranty and the period of such coverage are set forth in the table below.

An Appliance in this policy is defined as an Indoor Gas Fireplace, Indoor Gas Insert, Indoor Gas Freestanding Stove.

This Appliance has only been certified and listed for use indoors.

This Limited Lifetime Warranty starts on the day the Appliance was purchased.

The Limited Lifetime Warranty is not transferable, amendable or negotiable under any circumstances.

Indoor Gas Products Warranty Coverage Parts and Labor	Limited Lifetime	5 years	2 years	1 year	Subsidized Labor Coverage* (Years)
Firebox and Heat Exchanger	✓				3
Steel Burner Tube	✓				3
Glass Thermal breakage only	✓				3
All painted Surrounds/Inlays Finishes		✓			3
Brick Panels/Log sets/Ceramic Burners		✓			3
All Castings		✓			3
Valve assembly and all gas control components (Pilot assembly, flame sensors, Spark Electrode, Pilot Tubing, Orifices, Thermocouple, Thermopile)			✓		2
All Other Electrical components (Ignition Control Boards, Wiring, Switches, Blowers, Blower Control Module, Battery Pack, Remote Control Systems)			✓		2
Enamel Panels			✓		1
Venting/Venting Components			✓		1
All Stainless steel surrounds All black chrome Brushed nickel/Antique copper Faceplates/surrounds All Inner/Outer Black Glass panels				✓	1
All Firebox Media (Crystals, Fire beads, Volcanic, Ceramic, Spa Stones, River Pebbles)				✓	1
All hardware				✓	1
WIFI Dongle				✓	1
Mesh/Glass Safety Barriers				✓	1
Accent Light Bulbs				✓	1
Glass (Crazing)				✓	1

Note: Warranty coverage noted above may not be applicable as components/options vary based on appliance purchased.

Conditions:

Warranty protects against defect in manufacture or FPI factory-assembled components only, unless herein specified otherwise.

***This warranty does not cover dealer travel costs, mileage, fuel, tolls for diagnostic or service work. All labor rates paid to authorized dealers are subsidized, pre-determined rates. Dealers may charge you for travel and additional time beyond their subsidy.**

Any part(s) found to be defective during the warranty period as outlined above will be repaired or replaced at FPI's option through an accredited distributor, dealer or pre-approved and assigned agent; provided that the defective part is returned to the distributor, dealer or agent for inspection if requested by FPI. Alternatively, FPI may, at its discretion, fully discharge all of its obligations under warranty by refunding the verified purchase price of the product to the original purchaser. The purchase price must be confirmed by the original Bill of Sale. **The authorized selling dealer, or an alternative authorized FPI dealer if pre-approved by FPI, is responsible for all in-field diagnosis and service work related to all warranty claims. FPI is not responsible for results or costs of workmanship of unauthorized FPI dealers or agents in the negligence of their service work.**

At all times, FPI reserves the right to inspect reported in the field/on location complaints of products claimed to be defective before processing or authorizing any claim. Failure to allow this upon request will void the warranty.

All warranty claims must be submitted by the dealer servicing the claim, including a copy of the Bill of Sale (proof of purchase by you). All claims must be complete and provide full details as requested by FPI to receive consideration for evaluation. **Incomplete claims may be rejected.**

Replacement Appliances to the original purchaser are limited to one per warranty term. Appliances must be installed according to all manufacturers' instructions as per the manual. All Local and National required codes must be met.

The installer is responsible for ensuring the Appliance is operating as designed at the time of installation.

The original purchaser is responsible for the annual maintenance of the Appliance, as outlined in the owner's manual. As outlined below, the warranty may be voided due to problems caused by a lack of maintenance.

Purchased parts: Repair/replacement parts purchased by the consumer from FPI after the original coverage has expired on the Appliance will carry a **90-day** warranty from the purchase date, valid with a receipt only. Any item shown to be defective will be repaired or replaced at our discretion. No labor coverage is included with these parts.

Special Finishes - One year on brushed nickel, black chrome and antique copper faceplates/surrounds. You can expect some changes in color as the product "ages" with constant heating and cooling. FPI warrants the product for any manufacturing defects on the original product. However, the manufacturer's warranty does not cover changing colors and marks, i.e. fingerprints, etc. applied after the purchase of the product. Damage from the use of abrasive cleaners is not covered by warranty.

If freight damage has been found either externally or internally, the dealer must be informed within 3 days. All claims as a result of damage must be submitted by the dealer servicing the claim, including a copy of the Bill of Sale (proof of purchase). All claims must be complete and provide full details as requested by FPI to receive consideration for evaluation. **Incomplete claims may be rejected.**

As this is a Limited Lifetime Warranty, if the Appliance needs to be replaced, the Appliance that was purchased at the time of sale might not be replaced with exactly the same model Appliance. In that case, FPI will replace your Appliance with one that is similar at the time of replacement under the terms of this Limited Lifetime Warranty, but **ONLY** in the event that an item covered by the Limited Lifetime Warranty is found to be defective. Please refer to the table on first page of this warranty for items covered by the Limited Lifetime Warranty. Product changes might be the result of the original Appliance being discontinued, changes in regulatory requirements, product advancements, etc., which are beyond the control of FPI. **This Limited Lifetime Warranty does not cover any installation costs, or costs associated with changes of required clearances for the replacement Appliance, hearth pads, mantles, facing and/or facing materials such as framing, completed walls made of drywall, wood, non-combustible board, tile, brick, stone, marble etc., venting/chimney systems, or components of the chimney system.**

If a suitable replacement is not available, FPI will refund **50%** of the purchase price of the Appliance and any applicable FPI accessories (faceplates, brick panels, media, etc.) purchased at the time of sale. **In no event will FPI refund any portion of the purchase price of, or reimburse costs associated with, any other items, including without limitation, installation of a new Appliance, changes of required clearances for a new Appliance, hearth pads, mantles, facing and/or facing materials such as framing, completed walls made of drywall, wood, non-combustible board, tile, brick, stone, marble etc., venting/chimney systems, or components of the chimney system. A copy of the receipt or bill of sale will be necessary to validate the purchase price.**

warranty

Exclusions:

This Limited Lifetime Warranty does not extend to paint, rust or corrosion of any kind due to a lack of maintenance or improper venting, combustion air provision, corrosive chemicals (i.e. chlorine, salt, air, etc.), door or glass gasketing, batteries, color fading, carbon/sooting of the log sets due to use and does not cover lava rock, platinum/glowing embers, vermiculite.

Malfunction, damage or performance-based issues as a result of environmental conditions, location, chemical damages, downdrafts, installation error, an installation by an unqualified installer, incorrect chimney components (including but not limited to cap size or type), operator error, abuse, misuse, use of improper fuels, lack of regular maintenance and upkeep, acts of God, weather-related problems from hurricanes, tornados, earthquakes, floods, lightning strikes/bolts or acts of terrorism or war, which result in a malfunction of the Appliance are not covered under the terms of this Limited Lifetime Warranty.

FPI has no obligation to enhance or modify any Appliance once manufactured (i.e. as products evolve, field modifications or upgrades will not be performed on existing Appliances).

Any Appliance showing signs of neglect or misuse will not be covered under the terms of this warranty policy and may void this warranty, including Appliances with rusted or corroded fireboxes that have not been reported as rusted or corroded within **three (3)** months of installation/purchase.

Appliances which show evidence of being operated while damaged, or with problems known to the purchaser and causing further damages will void this warranty.

Appliances where the serial no. has been altered, deleted, removed or made illegible will void this warranty.

Minor movement, expansion and contraction of the steel is normal and is not covered under the terms of this warranty.

Freight damages for products or parts are not covered under the terms of the warranty.

Products made or provided by other manufacturers and used in conjunction with the FPI Appliance without prior authorization from FPI may void this warranty.

Limitations of Liability:

The original purchaser's exclusive remedy under this warranty, and FPI's sole obligation under this Limited Lifetime Warranty, express or implied, in contract or in tort, shall be limited to replacement, repair, or refund, as outlined above. IN NO EVENT WILL FPI BE LIABLE UNDER THIS WARRANTY FOR ANY INCIDENTAL OR CONSEQUENTIAL COMMERCIAL DAMAGES OR DAMAGES TO PROPERTY. TO THE EXTENT PERMITTED BY APPLICABLE LAW, FPI MAKES NO EXPRESS WARRANTIES OTHER THAN THE WARRANTY SPECIFIED HEREIN. THE DURATION OF ANY IMPLIED WARRANTY IS LIMITED TO DURATION OF THE EXPRESSED WARRANTY SPECIFIED ABOVE. IF IMPLIED WARRANTIES CANNOT BE DISCLAIMED, THEN SUCH WARRANTIES ARE LIMITED IN DURATION TO THE DURATION OF THIS WARRANTY.

Some US states do not allow limitations on how long an implied warranty lasts, or allow exclusion or limitation of incidental or consequential damages, so the above limitations or exclusions may not apply to you.

Customers located outside the US should consult their local, provincial or national legal codes for additional terms, which may apply to this warranty.

How to Obtain Warranty Service:

Customers should contact the authorized selling dealer to obtain warranty service. In the event the authorized selling dealer is unable to provide warranty service, please contact FPI by mail at the address listed below. Please include a brief description of the problem and your address, email and telephone contact information. A representative will contact you to make arrangements for an inspection and/or warranty service.

Canadian Warrantor:**FPI Fireplace Products International Ltd.**

6988 Venture St.
Delta, British Columbia
Canada, V4G 1H4

U.S. Warrantor:**Fireplace Products US, Inc.**

PO Box 2189 PMB 125
Blaine, WA
United States, 98231

Or contact the Regency Customer Care Centre at 1-800-442-7432 (phone) / 604-946-4349 (fax)
/customerservice@regency-fire.com (e-mail)

Product Registration and Customer Support:

Thank you for choosing a Regency Fireplace. Regency strives to be a world leader in the design, manufacture, and marketing of hearth products. To provide the best support for your product, we request that you complete a product registration form at <http://www.regency-fire.com/Customer-Care/Warranty-Registration.aspx> within **ninety (90)** days of purchase.

Warranty Registration Card



Product Registration and Customer Support:

Thank you for choosing a Regency Fireplace. Regency strives to be a world leader in the design, manufacture, and marketing of hearth products. To provide the best support for your product, we request that you complete a product registration form found on our Web Site under Customer Care within ninety (90) days of purchase.

For purchases made in **CANADA or the UNITED STATES:**

<http://www.regency-fire.com/Customer-Care/Warranty-Registration.aspx>

For purchases made in **AUSTRALIA:**

<http://www.regency-fire.com.au/Customer-Care/Warranty-Registration.aspx>

You may also complete the warranty registration form below to register your Regency Fireplace Product and mail and/or fax it back to us, and we will register the warranty for you. It is important you provide us with all the information below in order for us to serve you better.

Warranty Registration Form (or Register online immediately at the above Web Site):

Warranty Details	
Serial Number (required):	
Purchase Date (required) (mm/dd/yyyy):	
Product Details	
Product Model (required):	
Dealer Details	
Dealer Name (required):	
Dealer Address:	
Dealer Phone #:	
Installer:	
Date Installed (mm/dd/yyyy):	
Your Contact Details (required)	
Name:	
Address:	
Phone:	
Email:	

For purchases made in **CANADA:**

FPI Fireplace Products International Ltd.
6988 Venture St.
Delta, British Columbia
Canada, V4G 1H4

Phone: 604-946-5155
Fax: 1-866-393-2806

For purchases made in the **UNITED STATES:**

Fireplace Products US, Inc.
PO Box 2189 PMB 125
Blaine, WA
United States, 98231

Phone: 604-946-5155
Fax: 1-866-393-2806

For purchases made in **AUSTRALIA:**

Fireplace Products Australia Pty Ltd
99 Colemans Road
Dandenong South, Vic.
Australia, 3175

Phone: +61 3 9799 7277
Fax: +61 3 9799 7822

For fireplace care and tips and answers to most common questions please visit our Customer Care section on our Web Site. Please feel free to contact your selling dealer if you have any questions about your Regency product.

recycling

PRODUCT LIFE CYCLE:

By recycling your used appliances, you divert waste from your local landfills and help the environment. You also reduce the need for raw materials to manufacture new products. Contact your local municipality for appliance recycling services, local recycling programs, or appliance removal services to ensure your Regency appliance components, and packaging are properly recycled.

Installer: Please complete the following information

Dealer Name & Address: _____

Installer: _____

Phone #: _____

Date Installed: _____

Serial #: _____