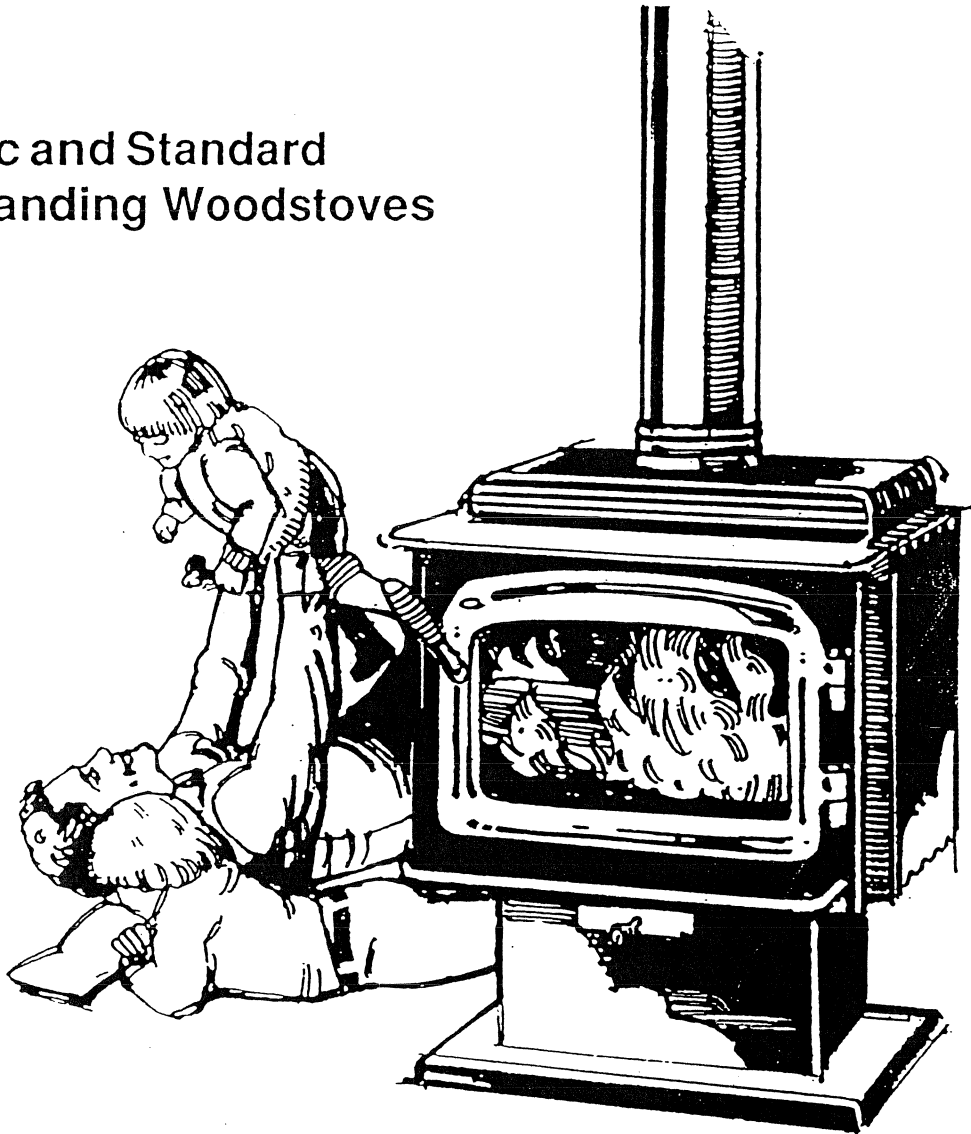




INSTRUCTION MANUAL

Classic and Standard Freestanding Woodstoves



SAVE THESE INSTRUCTIONS

Regency Industries Ltd.
7830 Vantage Way
Delta, B.C.
Canada V4G 1A7

Tested by Warnock Hersey
ULCS627
CSA B366.2
UL1482

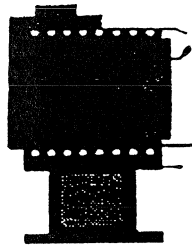
Thank-you for purchasing a
REGENCY FIREPLACE PRODUCT.

The pride of workmanship that goes into each of our products will give you years of trouble-free enjoyment. Should you have any questions about your product that are not covered in this manual, please contact the **REGENCY DEALER** in your area.

Keep those **REGENCY FIRES** burning.

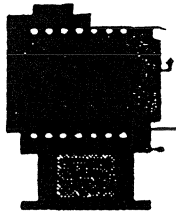
SAFETY NOTE: If this woodstove is not properly installed, a house fire may result. For your safety, follow the installation instructions, contact local building or fire officials about restrictions and installation inspection requirements in your area.

Large

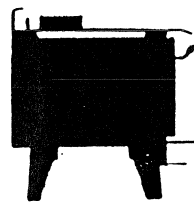
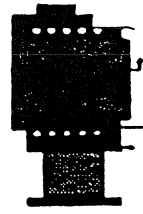


Classic (Ash dump)

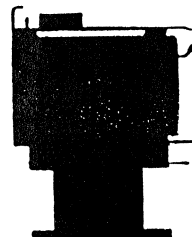
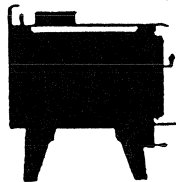
Medium



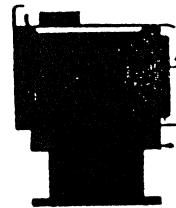
Small



Standard (Legs)



Standard (Pedestal)



THE REGENCY FREESTANDING STOVE

	PAGE
INSTALLATION	
- Clearance to Combustibles	4
- Residential	4
- Mobile Home	4
- Alcove	4
- Residential Installation	5
- Room Air	5
- Mobile Home Installation	6
- Listed Components (Pipe Systems)	6
- Mobile Home Installation	7
- Chimney & Connector Installation	7
- Brick Installation	7
- Flue Baffle	8
- Optional Fan	9
- Rear Heat Deflector (Standard)	9
OPERATING INSTRUCTIONS	
- Draft Control	9
- First Fire	10
- Ash Disposal	11
- Ash Drawer Safety & Operating Guidelines (Classic)	11
- Fan Operation	12
- Special Large Stove Fan Instructions	12
- Safety Guidelines	12
MAINTENANCE	
- Creosote	13
- Ways to Prevent & Keep Units Free of Creosote	13
- Glass Replacement	14
- Glass Removal	14
- Door Handle	14
- Maintenance of Gold Doors	14
- Door Gasket	14
- Latch Adjustment	14
WARRANTY	15

INSTALLATION



Minimum Clearance to Combustible Materials

Residential Installation "C" Vent (Single Wall)

	From Unit			From Flue		
	A	B	C	D	E	F
Small	12"	12.5"	12"	20.5"	16"	21"
Medium	17.5"	14.5"	9.5"	26"	18"	18"
Large	18"	15"	14"	29"	18.5"	24"

Mobile Home or Residential Close Clearance

(To be Installed with required pipe components)

	From Unit			From Flue		
	A	B	C	D	E	F
Small	12"	11"	8.5"	20"	14"	17"
Medium	16"	8"	7.5"	24.5"	11.5"	16"
Large*	18"	9.5"	12"	29"	13"	22"

NOTES: "C" Vent single wall pipe is not approved for Mobile Home installations. (Refer to Mobile Home Instructions.) For Regency Large Freestanding Stove in a close clearance application, a listed pipe shield is required. For the Small or Medium freestanding stove installed as a close clearance residential unit, a listed double wall connector is required from the stove collar to the ceiling level.

***The Large Freestanding Stove is not applicable for use in a Mobile Home.**

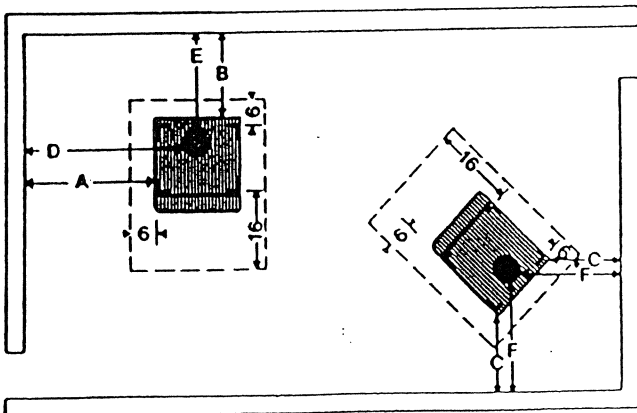
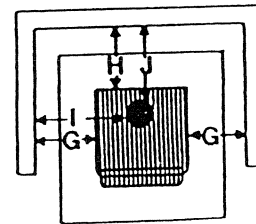
Alcove

The Regency Small and Medium Freestanding models have been alcove approved and must be installed with a listed double wall connector to the ceiling level. If closer clearances than those shown below are required, see your dealer for the optional clearance reduction kit. Check also item #12 under "Residential Installation".

Minimum Alcove Clearance to Combustible Materials

	From Unit		From Flue	
	G	H	I	J
Small	12"	11"	20"	14"
Medium	16"	8"	24"	11"

Note: Minimum alcove ceiling height - 84"
Maximum depth of alcove - 36"



Residential Installation

1) Read all instructions before installing your Regency Stove. Install and use only in accordance with these installation and operating instructions. Be aware that local Codes and Regulations may override some items in this manual. Check with your local inspector.

2) Select a position for your Regency Stove. Consult the minimum clearance chart for your model and set the stove in place. For close clearance installation use listed double wall connector systems.

3) To insure vertical alignment, suspend a plumb bob from the ceiling over the exact centre of your stove flue and mark a spot on the ceiling to indicate the center of the chimney.

4) Check that the area above the ceiling is clear for cutting. Re-confirm the clearance from the stove to combustibles to insure that they are within the prescribed limits.

5) Install chimney according to chimney manufacturers instructions. The performance of your woodstove is governed to a very large part by the chimney system. Too short a chimney can cause difficult start-up, dirty glass, backsmoking when door is open, and even reduced heat output. Too tall a chimney may prompt excessive draft which can result in very short burn times and excessive heat output. The use of an inexpensive flue pipe damper may be helpful in reducing excessive draft.

CAUTION: The chimney should be the same size as the flue outlet on the stove. The chimney must be listed as suitable for use with solid fuels. For other types of chimneys check with your local building code officials. Do not confuse a chimney with a type "B" Venting System used for gas appliances as suitable for a wood burning appliance. For Mobile Home installations refer to the Mobile Home installation instructions.

6) Mark the location of the pedestal base or legs on the floor, then move the stove aside and mark the position of the floor protector.

7) The floor protector must be of non-combustible material and must extend 16" in front of the door opening and 6" to the sides and rear of the unit. Some areas may require a larger size floor protector. See your local inspector. For outside air installation refer to Mobile Home installation instructions.

8) When the floor protection is complete, position the stove with the flue collar centered under the installed chimney.

9) For residential installations the chimney connector must be at least 24 gauge steel. Do not use galvanized pipe. For Mobile Home installation refer to the Mobile Home installation instructions.

10) Do not connect this unit to a chimney serving another appliance unless approved by your local building authority.

11) A chimney connector cannot pass through an attic or roof space, closet or similar concealed space, or a floor, ceiling, wall or partition of combustible construction.

12) If closer clearances to combustibles are required, a listed pipe or wallshield may be used. In the U.S. NFPA 211 lists allowable methods of clearance reduction. Clearances to combustibles may only be reduced by means approved by your local regulatory authority.

13) Your Regency Woodstove is not to be connected to any air distribution duct.

Room Air - Important

For installation using room air for combustion, the rear cover plate on the back of the pedestal base must be left off. Mobile home installations require the use of outside air. The rear cover plate must be installed on the rear of the pedestal base using the supplied screws, when outside air is to be used.

INSTALLATION



Mobile Home Installation

Listed Components

The Regency Small and Medium Freestanding pedestal units are approved for installation in a Mobile Home providing one of the following pipe systems is used.

U.S. Installation*

METALBESTOSSII

Qty.	Part #	Description
1	6DS-VK	Connector Kit
1	6TMH	Shield/Support
1	6TAF-6	Flashing
1	6T-36	Chimney Length
1	6T-18	Chimney Length
1	6T-CT	RainCap

PRO-JET 3103

Qty.	Part #	Description
1	PV06-TK	Connector
1	CSB	Shield/Support
1	RRS	Radiation Shield
1	LFR03	Flashing
1	SL3	Chimney Length
1	SL1	Chimney Length
1	RCSA	RainCap

SECURITY ASHT

Qty.	Part #	Description
1	DL42A-6	Connector Kit
1	6SS	Shield/Support
1	6FAMH	Flashing
1	6L3	Chimney Length
1	6L1	Chimney Length
1	CPE	RainCap

SECURITY S2100

Qty.	Part #	Description
1	DL42A-6	Connector Kit
1	6XSF	Support
1	6XFA	Flashing
1	6XL3	Chimney Length
1	6XL18	Chimney Length
1	6XCPE	RainCap

GSW SUPER CHIMNEY TWENTY-ONE

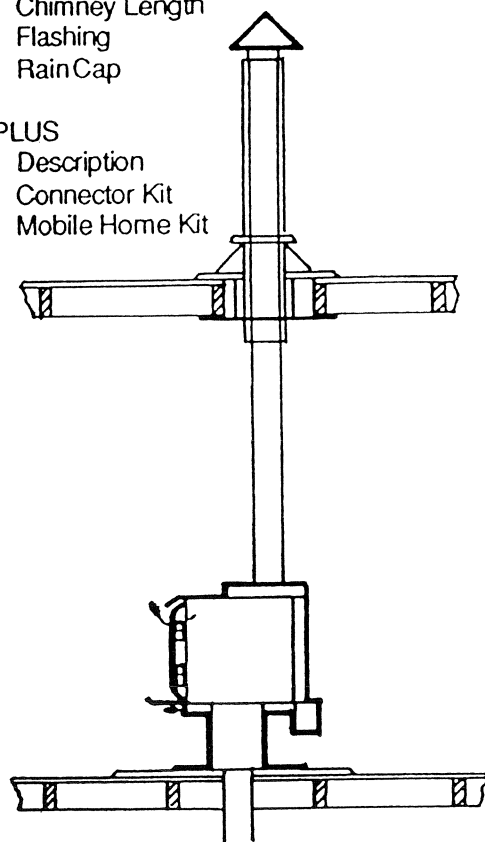
Qty.	Part #	Description
1	JSP6TL	Connector
1	JSP6FT	Finishing Trim
1	JSC6MHK	Mobile Home Kit
1	JSC6SA3	Chimney Length
1	JSC6SA1	Chimney Length

METAL-FAB TEMP/GUARD 2100

Qty.	Part #	Description
1	6DWBK	Connector
1	6TGRS	Roof Support
1	6TGG36	Chimney Length
1	6TGG12	Chimney Length
1	6TGF	Flashing
1	6TGC	Rain Cap

SIMPSON DURA-PLUS

Qty.	Part #	Description
1	6DVL8693	Connector Kit
1	6DP-MH9096	Mobile Home Kit



Canadian Installations*

SECURITY S2100

Qty.	Part #	Description
1	DL42A-6	Connector Kit
1	6XSF	Support
1	6XFA	Flashing
1	6XL3	Chimney Length
1	6XL18	Chimney Length
1	6XCPE	Rain Cap

*The use of alternate pitch flashings, support box extensions, additional chimney lengths, and additional chimney bracings, may be used on each of the previously listed systems. These parts though must be from the same system as listed, and must be a similar and/or complimentary part.

CAUTION: At no time use unlabelled parts, or substitute parts made for another chimney system.

Mobile Home Installation

NOTE: Only the Small and Medium pedestal stoves may be installed in a mobile home.

Once you have properly marked the position of your unit and the floor protection as outlined in the Residential Installation items #1 through #8, a supply of fresh air has to be supplied to your unit. Cut a minimum 3 inch diameter hole through your floor protector and the floor directly under your pedestal base to the outside. Use 3" duct pipe with a mesh grill to pipe fresh air into the pedestal area.

Place your unit in position and secure it to the floor using two lag bolts 3/8" x 3-1/2" through the holes in the pedestal base. It is important to maintain the structural integrity of the Mobile Home floor, walls and roof when installing your unit.

For Mobile Home units installed in the U.S. the unit must be grounded using a #8 ground wire with approved termination and star washer.

Step By Step Chimney and Connector Installation:

NOTE: These are a generic set of chimney installation instructions. Always follow the manufacturers own instructions explicitly.

1) With your location already established, cut and frame the roof hole.

2) Install radiant shield and support from above.

3) Stack the insulated pipe onto your finish support to a minimum height of 3 feet above the roof penetration, or 2 feet above the peak if applicable. There must be at least 3 feet of chimney above the roof level.

NOTE: Increasing the chimney height above this minimum level will sometimes help your unit to "breathe" better by allowing a greater draft to be created. This greater draft can decrease problems such as, difficult start-ups, backsmoking when door is open, and dirty glass. It might be sufficient to initially try with the minimum required height, and then if problems do arise add additional height at a later date.

4) Slide the roof flashing over your chimney and seal the flashing to the roof with roofing compound. Secure the flashing to your roof with nails or screws.

5) Place the storm collar over the flashing, sealing the joints with a silicone caulking.

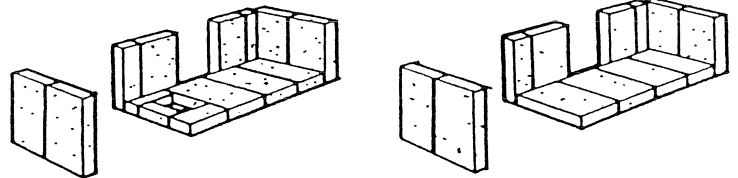
6) Fasten the raincap with spark screens to the top of your chimney.

7) To complete your chimney installation, install the double wall connector pipe from the stove's flue collar to the chimney support device.

Brick Installation

Firebrick is included to extend the life of your stove and radiate heat more evenly. Check to see that all firebricks are in their correct positions and have not become misaligned during shipping.

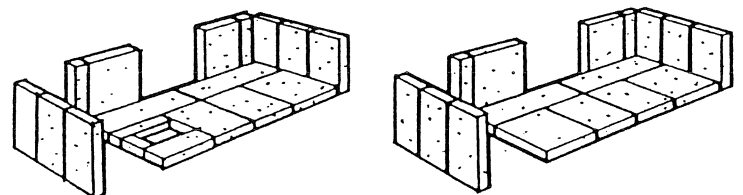
Freestanding - Small



Classic

Standard

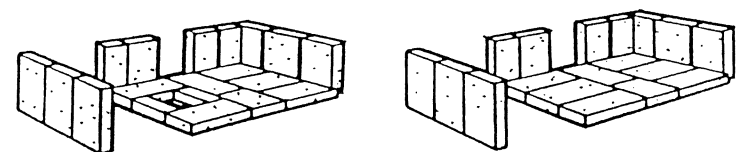
Freestanding - Medium



Classic

Standard

Freestanding - Large



Classic

Standard

INSTALLATION

Flue Baffle

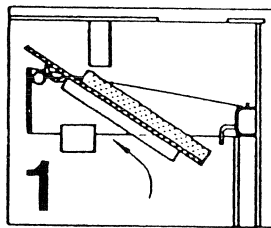
The flue baffle system located in the upper area of the firebox is removable to make cleaning your chimney system easier, as well as for replacement purposes if extensive warpage takes place. Minor baffle warpage is acceptable and should be ignored. Overfiring of your stove may cause the baffle to warp excessively, which may then require it to be replaced. Excessive warpage means the baffle will not stay in place or obstructs the smoke leaving the firebox.

Please note as well that the baffle may become dislodged if too much fuel is forced into the firebox. The baffle can shift during transit so ensure that it is correctly installed prior to your first fire.

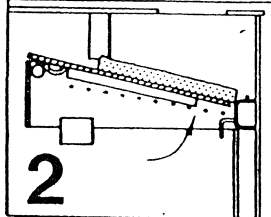
The Medium and Large stoves use an insulating batt above the baffle. Make sure that this batt is laying flat and does not obstruct the smoke from getting up the flue opening. Once the insulation is laying flat, position the two supplied metal bars on top of the materials as shown in the diagram. This will stop the batt from lifting if excessive chimney draft takes place. For the Small stove - install flue baffle with firebricks on top as shown in the diagram.

Medium Stove

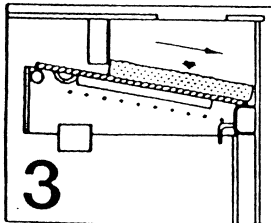
Lift the front end of the baffle up and over the rear of the air tube.



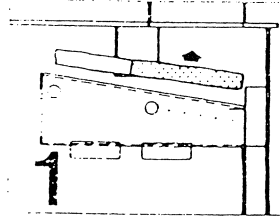
Lift the rear of the baffle, pivoting it on the air tube, until it clears the rear air channel.



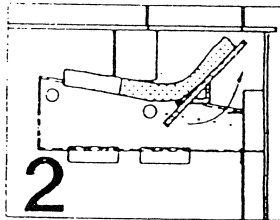
Slide the rear of the baffle onto the top of the rear air channel in front of the locating tabs. Make sure that the insulation is lying flat and does not obstruct the smoke from getting up the flue opening. Place hold down weights on top of the insulation - one on each side.



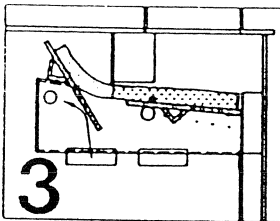
Large Stove



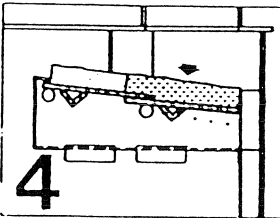
Place insulation above tubes and rear channel.



Install rear baffle as shown.



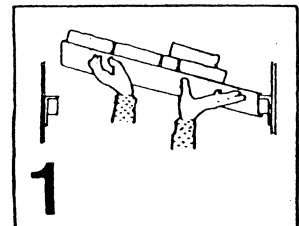
Install front baffle as shown.



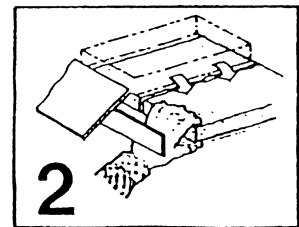
Ensure proper baffle and insulation position. Make sure the insulation is laying flat and does not obstruct the smoke from getting up the flue opening. Place hold-down weights on top of the insulation - one on each side.

Small Stove

Arrange fire bricks on baffle and slip it into position to rest on side clips as per drawing.



Slide top brick into side position making sure that baffle and bricks are pushed full to the rear of the stove.

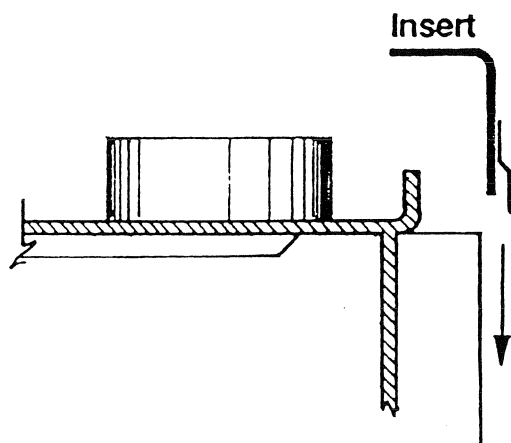


Optional Fan

To install your optional Regency fan, slide the fan housing up the rear heat shield, align holes, and secure with the supplied screws. Make sure that the power cord at no time is allowed to come into contact with the hot surface of the unit. Read the operating instructions for the fan before using. See Page 12.

Rear Heat Deflector (Standard)

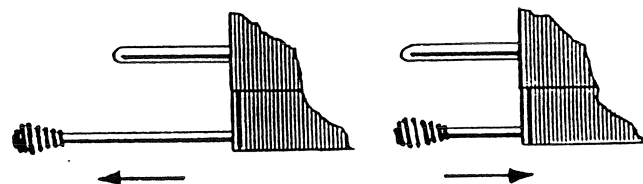
On the Radiant or Standard models the rear heat deflector must be installed in position on top of the rear heat shield, as per the diagrams below. This part is needed to stop the heat radiated from the flue collar from overheating the rear wall.



With your unit now correctly installed and safety inspected by your local authority, you are now ready to start a fire. Before establishing your first fire, it is important that you fully understand the operation of your draft control.

Draft Control

Both the primary and air wash drafts are controlled by the control rod located under the ash lip. To increase your draft - pull open, and to decrease - push closed. The Small and Medium Regency units have a secondary draft system that continually allows combustion air to the induction ports at the top of the firebox, just below the flue baffle. Important: If you are using room air for combustion, make sure that the back cover plate at the rear of the pedestal is not installed. The cover plate must be installed on the unit if your stove is located in a mobile home or if using outside air. The Large Regency units have a secondary draft system similar to the smaller stoves but its system is controlled by the same rod that controls the primary and air wash drafts.



Pull - Open

Push - Closed

WARNING: To build a fire in ignorance or to disregard the information contained in this section can cause serious permanent damage to the unit and void your warranty!!

First Fire

When your installation is completed and inspected you are ready for your first fire.

1) Open control fully.

2) Open firebox door and build a small fire using paper and dry kindling. Secure door on the firebox and wait a few minutes for a good updraft in the flue to establish the fire. (Leaving the door slightly open will help your fire start more rapidly.)

CAUTION: Never leave unit unattended if door is left open. This procedure is for fire start-up only, as unit may overheat if door is left open for too long.

3) With the draft still in the fully open position add two or three seasoned logs to your fire. Form a trench in the ash bed to allow air to reach the rear of the firebox prior to closing the door.

4) After about 15 to 20 minutes, when your wood has begun to burn strongly, adjust your draft control down to keep the fire at a moderate level.

WARNING: Never build a roaring fire in a cold stove. Always warm your stove up slowly!

5) Once a bed of coals has been established, you may adjust the draft control to a low setting to operate the unit at its most efficient mode.

6) During the first few fires, keep the combustion rate at a moderate level and avoid a large fire. Only after 5 or 6 such fires can you operate the stove at its maximum setting, and only after the metal has been warmed.

7) For the first few days, the stove will give off an odour from the paint. This is to be expected as the high temperature paint becomes seasoned. Windows and/or doors should be left open to provide adequate ventilation while this temporary condition exists. Burning the stove at a very high temperature the first few times may damage the paint. Burn fires at a moderate level the first few days.

8) Do not place anything on the stove top during the curing process. This may result in damage to your paint finish.

9) During the first few days it may be more difficult to

start the fire. As you dry out your firebrick and your masonry flue, your draft will increase.

10) For those units installed at higher elevations or into sub-standard masonry fireplaces, drafting problems may occur. Consult an experienced dealer or mason on methods of increasing your draft.

11) Some cracking and popping noises may be experienced during the heating up process. These noises will be minimal when your unit reaches temperature.

12) Before opening your door to reload, open draft fully for approximately 10 to 15 seconds until fire has been re-established. This will minimize any smoking.

13) All fuel burning appliances consume oxygen during operation. It is important that you supply a source of fresh air to your unit while burning. A slightly opened window is sufficient for the purpose. If you also have a fireplace in your home, a downdraft may be created by your Regency Stove causing a draft down your chimney. If this occurs, slightly open a window near your unit.

CAUTION: If the body of your unit, flue baffle or any part of the chimney connector starts to glow, you are overfiring. Stop loading fuel immediately and close the draft control until the glow has completely subsided.

14) Green or wet wood is not recommended for your unit. If you must add wet or green fuel, open the draft control fully until all moisture has been dispersed by the intense fire. Once all moisture has been removed, the draft control may be adjusted to maintain the fire.

15) If you have been burning your stove on a low draft, use caution when opening the door. After opening the damper, open the door a crack, and allow the fire to adjust before fully opening the door.

16) The controls of your unit should not be altered to increase firing for any reason.

Ash Disposal

REGENCY stoves feature a convenient ash lip for easy removal of ash. During constant use, ashes should be removed every few days. **Do not allow ashes to build up to the loading doors!** Only remove ashes when the fire has died down. Even then, expect to find a few hot embers.

Always leave 1 to 2 inches of ash in the bottom of the firebox. This helps in easier starting and a more uniform burn of your fire.

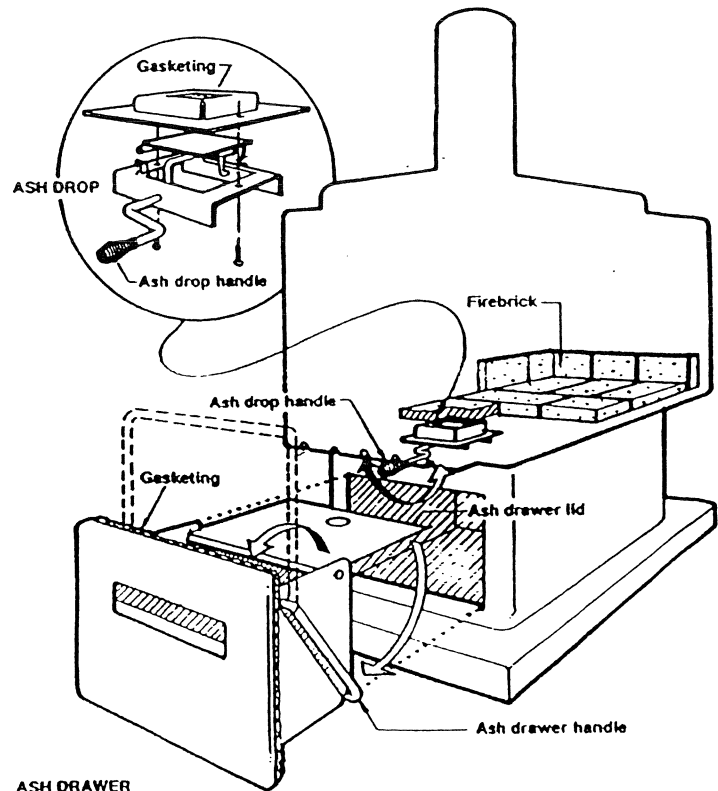
Ashes should be placed in a metal container with a tight fitting lid. The closed container of ashes should be placed on a non-combustible floor or on the ground, well away from all combustible materials, pending final disposal. If the ashes are disposed of by burial in soil or otherwise locally dispersed, they should be retained in the closed container until all cinders have thoroughly cooled. Other waste should not be placed in the ash container.

*Please take care to prevent the build-up of ash around the start-up air housing located inside the stove box, under the loading door lip.

- 5) When emptying the ashdrawer, make sure the ashes are cold.
- 6) Before putting the ashdrawer back into place, make sure the lid is open and the carrying handle is in the down position.
- 7) The gasket around the door and the ashdrop should be checked for wear and that it is in place for a proper seal. If it is worn or falls off, see your local dealer for replacement.
- 8) The ashdrop assembly is removable if there should be a problem with the seal. Note: It should only be removed by your dealer. Never light a fire in your stove if the ashdrop is not sealing properly or if is not in position.
- 9) Make sure the ashdrop handle has the spring on it, as it will get hot. **WARNING: Although the spring may be on the handle, it will still get hot. This should not be touched if there is a fire in the stove.)**

Ash Drawer Safety & Operating Guideline

- 1) Never start a fire if the ashdrop is open. This will cause overfiring which can cause excessive warping of the stove. Evidence of overfiring can void the warranty on your stove.
- 2) Do not remove the ashdrawer when there is a fire in the stove.
- 3) Always clean ashes out of the stove once the unit has cooled down. Do not force any large pieces left in the firebox down the ashdrop as this may bend the plate or tear the gasketing which will prevent proper sealing. The large pieces can be left in the firebox and burned during the next fire or removed through the door opening.
- 4) To remove the drawer, make sure the ashdrop is closed. While pulling the drawer, lift slightly and it will slide out. When the drawer is completely out, close the lid and flip up the carrying handle.



Fan Operation

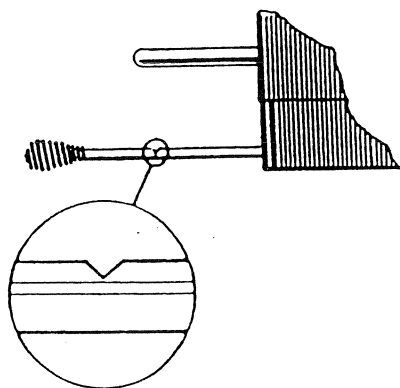
The optional fan system is designed to be operated at different speeds depending on the burn rate the woodstove is operating at. Having the fan function at too high a speed can cause the firebox to cool to a temperature that can reduce the combustion efficiency, and useful heat production, as well as increase pollution output.

Once your woodstove has been brought up to operating temperature (approx. 30 minutes) your fan may be turned on and then adjusted as per the instructions below.

Special Instructions For Fan Installed On The Large Regency Woodstove

When the damper rod is pulled out far enough from the air channel to show the notch, you may operate the fan full range.

When the damper rod is pushed in far enough that the notch is not visible, you should not have the fan speed rheostat set above mid point on its dial, or if so equipped, the fan speed set at low. After a few days of operating your new fan system, the correct adjustment level will become second nature.



Safety Guidelines

1) Never use gasoline, gasoline type lantern fuels, kerosene, charcoal lighter fuel, or similar liquids to start or 'freshen up' a fire in your heater. Keep all such liquids well away from the heater while it is in use.

2) Keep the door closed during operation and maintain

all seals in good condition.

3) Do not burn large quantities of paper in your stove.

4) If you have smoke detectors, prevent smoke spillage as this may set off a false alarm.

5) Do not overfire heater. If the chimney connector, flue baffle or the stove top begin to glow, you are overfiring. Stop adding fuel and close the draft control. Overfiring can cause extensive damage to your stove including warpage and premature steel corrosion. Overfiring will void your warranty.

6) Do not permit creosote or soot build-up in the chimney system. Check and clean chimney at regular intervals.

7) Your Regency stove can be very hot. You may be seriously burned if you touch the stove while it is operating. Warn children of the burn hazard.

8) The stove consumes air while operating, provide adequate ventilation with an air duct or open a window while the stove is in use.

9) Do not connect this unit to a chimney flue serving another appliance.

10) Do not use grates or andirons or other methods for supporting fuel. Burn directly on the bricks.

11) Open the draft control fully for 10 to 15 seconds prior to slowly opening the door when refuelling the fire.

12) Do not connect your unit to any air distribution duct.

13) Your woodstove should burn dry, standard firewood only. The use of "mill ends" is discouraged as this fuel can easily overheat your woodstove. Evidence of excessive overheating will void your warranty. As well, a large portion of sawmill waste is chemically treated lumber, which is illegal to burn in many areas. Salt drift wood and chemically treated fire logs also must not be burned in your woodstoves.

14) Do not store any fuel closer than 2 feet from your unit.

15) **WARNING: Do not operate with Ash Drawer open, excessive temperatures will result.**

It is very important to carefully maintain your fireplace stove, including burning seasoned wood and maintaining a clean stove and chimney system. Have the chimney cleaned before the burning season and as necessary during the season, as creosote deposits may build up rapidly. Moving parts of your stove require no lubrication.

Creosote

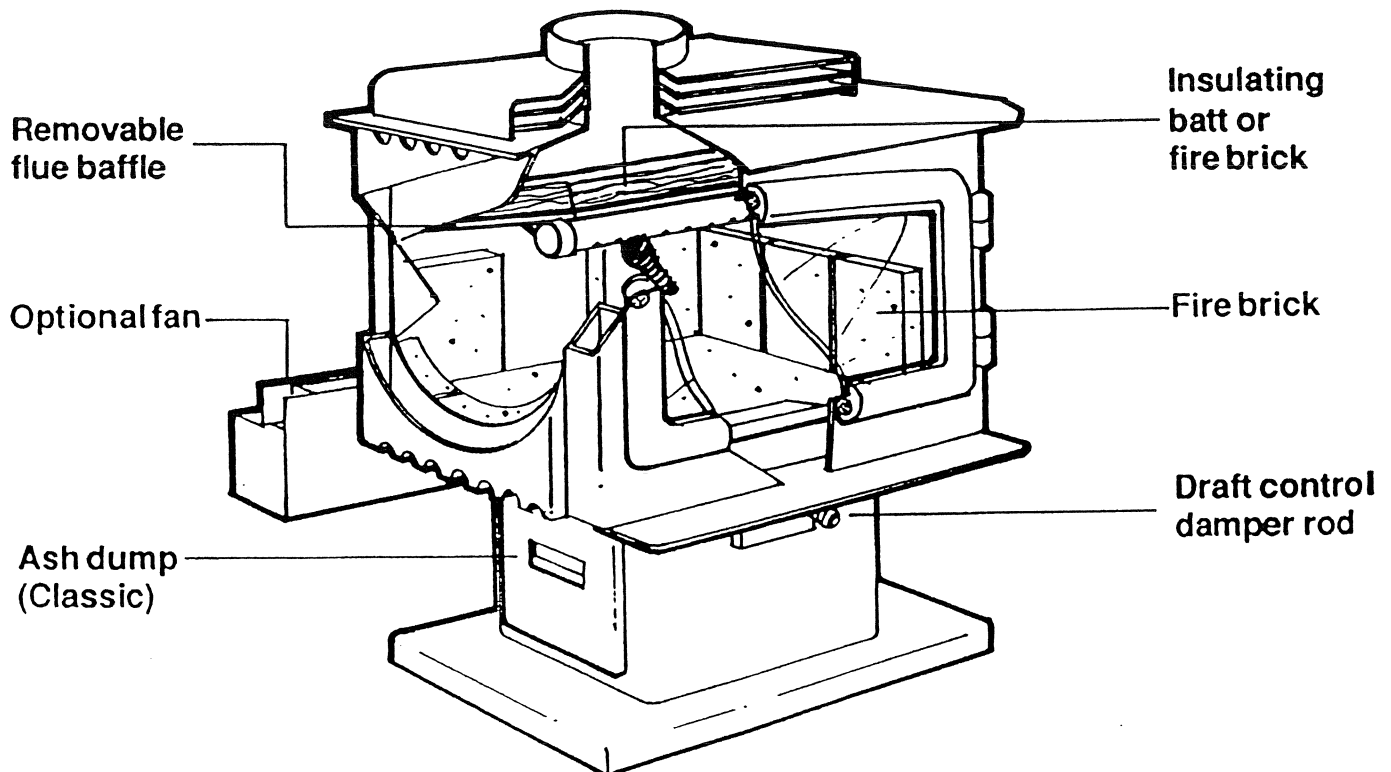
When wood is burned slowly, it produces tar and other organic vapours, which when combined with moisture, form creosote. The creosote vapours condense in the relatively cool chimney flue of a slow burning fire. As a result, creosote residue accumulates on the flue lining. When ignited, this creosote can make an extremely hot fire.

WARNING: Things to remember in case of a chimney fire:

1. Close all draft and damper controls.
2. CALL THE FIRE DEPARTMENT.

Ways to Prevent and Keep Unit Free of Creosote

- 1) Burn stove with the draft control wide open for about 45 minutes every morning during burning season.
- 2) Burn stove with draft control wide open for about 10 - 15 minutes every time you apply fresh wood. This allows the wood to achieve the charcoal stage faster and burns up any unburned gas vapours which might otherwise be deposited within the system.
- 3) **Only burn seasoned wood!** Avoid burning wet or green wood. Seasoned wood has been dried at least one year.
- 4) A small hot fire is preferable to a large smoldering one that can deposit creosote within the system.
- 5) Check the chimney at least twice a month during the burning season for creosote build-up.
- 6) Have chimney system and unit cleaned by competent chimney sweeps twice a year during the first year of use and at least once a year thereafter or when needed.



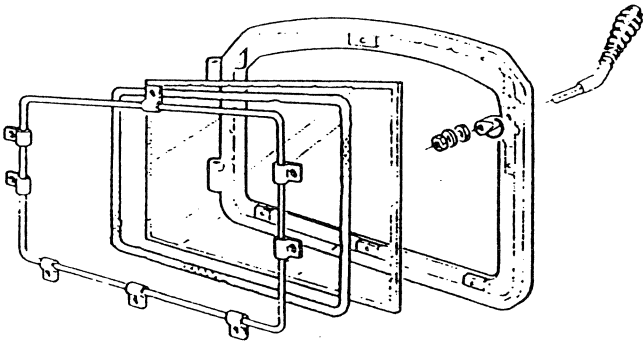
Glass Replacement

Your Regency stove is supplied with 5 mm Neoceram ceramic glass that will withstand the highest heat that your unit will produce. In the event that you break your glass by impact, purchase your replacement from an authorized Regency dealer only, and follow our step-by-step instructions for replacement.

Glass Removal

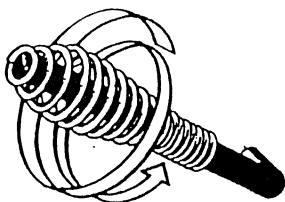
Allow the stove to cool before removing or replacing glass. Remove the door from the stove and remove the glass retainer. Use caution when removing broken glass to avoid injury. When placing the replacement glass in the door, make sure that the glass gasketing will properly seal your unit. Replace the retainer and tighten securely, but do not wrench down on the glass as this may cause breakage.

Do not use substitute materials. If your glass does break, do not continue to use your unit until it has been replaced.



Door Handle

Attach spring handle by rotating counter clockwise onto rod. Ensure that the rod fits into the entire length of the spring handle. See diagram below.



Maintenance of Gold-Plated Doors

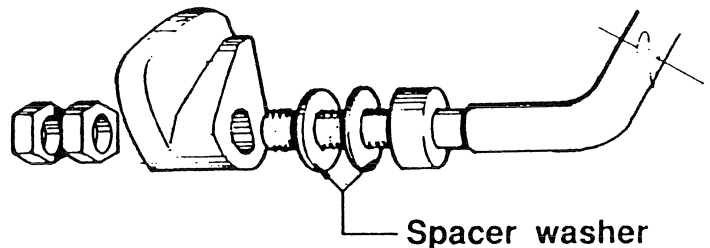
The gold electroplated finish on the door requires little maintenance, and need only be cleaned with a damp cloth. DO NOT use abrasive materials or chemical cleaners, as they may harm the finish and void the warranty.

Door Gasket

If the door gasket requires replacement 5/8" diameter material must be used. A proper high temperature gasket adhesive is required. See your Regency Dealer.

Latch Adjustment

The door latch may require adjustment as the door gasket material compresses after a few fires. Removal of the spacer washer, shown in the diagram below, will allow the latch to be moved closer to the door frame, causing a tighter seal. Remove and replace the nuts, washer and spacer as shown.



Regency Industries Limited warrants this Regency woodburning unit to be free from defects in workmanship and material. Any part or parts of this unit which, in our judgement, show evidence of such defect will be repaired or replaced through an accredited distributor provided that the defective part shall be returned to the distributor, transportation prepaid. The woodstove is protected by the warranty for five years (note exclusions below).

This warranty shall not apply to any part that has been tampered with or altered in any way, or which in our judgement has been subjected to misuse, negligence or accident, or which has the serial number effaced, altered or removed.
 Exclusions: This warranty shall not include or extend to paint, glass, gasketing, firebrick or trim. (Fans carry a one year warranty from date of purchased.)

DATE PURCHASED _____



MODEL _____ SERIAL NO. _____

 DEALERS NAME & ADDRESS _____

05/91

REGENCY INDUSTRIES LIMITED
 7830 VANTAGE WAY,
 DELTA, B.C. V4G 1A7



**Customer: Please Fill Out and Mail to Regency Industries Ltd.
 This will establish your Regency Warranty.**

Date _____

Name _____

Address _____

City _____

Prov. or State _____ Postal Code / Zip Code _____

Dealer's Name _____

 Address _____

Model _____ Serial No. _____

05/91